



The Vito

Panel Vans



Mercedes-Benz

- 3 *Foreword*
- 4 *The Vito concept*
- 8 *Applications and loading*
- 12 *Comfort, handling and practicality*
- 14 *Engines and chassis*
- 18 *Safety*
- 20 *Optional equipment*
- 22 *Solutions for and around the world of transport*
- 24 *Weights and dimensions/
Paintwork and upholstery*





The Vito. Sophisticated performance

What would you expect from a van? Supreme handling and ride comfort? Dynamic engines which generate as much motoring pleasure as when driving a car? The latest in safety engineering? Transport solutions designed with practical applications in mind? Economical operation? Then you need look no further than the Vito, a van which combines all of these ingredients into a single, matured vehicle concept. A concept which sets standards in its class in every respect. And a degree of sophistication which is reflected unmistakably in the vehicle design.

Behind the appealing exterior of the Vito lies a wealth of engineering which has been continually refined. You would therefore be quite right to expect more from this van than just reliability and quality. Operating under testing conditions, day in, day out, the Vito distinguishes itself by virtue of its versatility on the job, an array of ingenious equipment details, plus a comprehensive service package which covers far more than just the vehicle itself. What's more, our engineers have never lost sight of the bottom line – economic efficiency, an area in which the Vito excels. The fun factor has not been neglected either – as you'll soon discover when you get behind the wheel of the Vito.



The Vito concept



The Vito. The latest in transportation

Experience and sophistication are by no means mutually exclusive, quite the opposite in fact. A state-of-the-art van distinguishes itself on two counts; first, it comes with all the latest engineering the automotive industry has to offer. Second, it provides you with a refined, well-planned, practical solution, tailored to your transport needs and line of business. If that's what you're looking for, then take your time browsing through this brochure.

Built to fit: the cockpit design reflects the latest advances in ergonomics

More torque, less thirst: state-of-the-art CDI engines not only develop enormous bottom-end torque - they are more fuel-efficient as well

A tempting invitation: the Vito's cargo space of 4.8 m³ can swallow a payload of up to 1 t. The wide-opening tailgate and low loading height make loading and unloading that much easier

Good handling is like good workmanship – an art

Watching a professional at work, you soon notice the assured movements which are always "just right". The same goes for the handling of the Vito. The light-action, power-assisted steering is precise and reassuring at all times and makes light work of difficult parking or turning manoeuvres, while the individually adjustable driving seat can be quickly set to the ideal driving position. In the cockpit, all the latest ergonomic

advances are on parade, with a short, joystick-style dash-mounted gearshift which not only relieves strain when changing gear but also gives unobstructed access either from one side of the cab to the other or into the load compartment at the rear.

Heavy lifting? No problem

With generous cargo space of 4.8 m³ and payload of up to 1t, the Vito panel van has no qualms about taking on heavy loads. In fact, it goes out of its way to make your life easier every step of the way. For

example with wide-opening doors and a low loading height. Or responsive CDI engines to give you dynamic acceleration. Or extended oil service intervals of 22,500 kilometres, for all engines, to help you save money. Even longer intervals are possible with the standard "Assyst" service interval indicator. Reduced fuel consumption and higher resale values are further economy features. Welcome on board!











Applications and loading

The many faces of a panel van

In appearance the Vito is more reminiscent of a modern people carrier than a classic panel van. And the resemblance doesn't stop there. True to its motto, "one van for all purposes", the Vito is at home in a wide variety of applications.

V for versatile.

V for Vito

The Vito offers the best deal in the 2.7-t class. The exterior dimensions are extremely compact, with an overall length of 4.66 m and a width of 1.88 m. All the more amazing therefore is the roominess of the Vito inside. After all, the Vito is often out and about in town, where the space for turning, manoeuvring and parking is in ever shorter supply. Up to 4.8 m³ of cargo space is available on a floor area of 3.6 m².

Permissible GVW is 2.7 t with a payload of up to 1 t. The Vito accepts Europallets without problem, while for fork-lift access, side-hinged rear doors are optionally available. And to prevent the cargo from springing any unpleasant surprises during the journey, you can choose from a range of protective bulkheads. The Vito also provides extra capacity on top if you wish: our accessories range offers roof carriers in many different shapes and sizes which mount easily on

the roof rails. The maximum roof load is 150 kg. Whatever your line of work – parcel delivery, floral delivery, vehicle rental, municipal service, the retail sector, small trades or private or public services – the Vito is the van for the job.

V for versions.

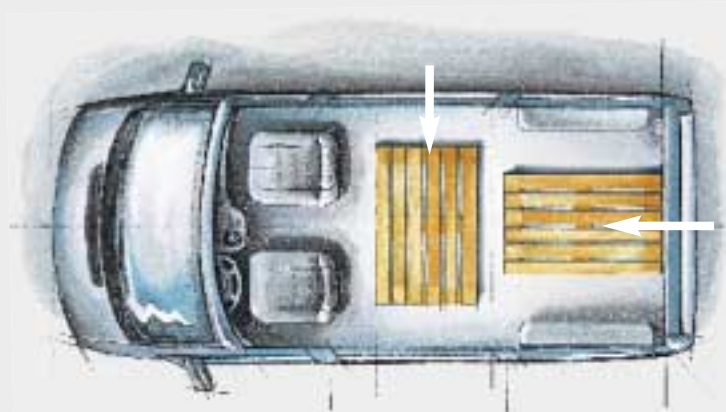
V for Vito

Equipped with a second seat row, the Vito also doubles up as an ideal vehicle for transporting work crews. With the additional seats, up to six

people can be carried in comfort and safety (three-point belts on all seats are a matter of course), with plenty of room left over at the rear for cargo or equipment. For this purpose, the version with a partially glazed load compartment (Vito +2/Vito +3) and glazed tailgate or glazed twin rear doors is recommended.

Size is all a matter of detail

The Vito has the practical, versatile answer for every application.



In a word: inviting

Let's start from the bottom up: the unladen Vito has a loading height of 52 cm. Which takes the strain out of loading heavy boxes, sacks or a washing machine. You can aim high, too: with an interior load compartment height of 1370 mm, bulky objects can be stowed without

problem. And the gains from the intelligent weight-saving design are reflected in more generous payload (up to 1t).

"Just open it up"

Time is money - like the time you save during loading and unloading the Vito. In most sectors, standard-specification

Europallets are now firmly established on the scene. The Vito welcomes them with open arms. For example through the optional side-hinged rear doors which open to 180° for easy fork-lift access. The wide, light-action kerbside sliding side door is Europallet-size too. If you're not using Europallets,

the standard tailgate will prove practical and convenient. When fully opened to 83°, it gives stand-up access for loading and unloading.

Fork-lift access with Europallets - no problem thanks to the sliding side doors and optional side-hinged rear doors



Driving pleasure? It's standard specification!

Make yourself comfortable and have an enjoyable stay on board. And if that's not the kind of description you would normally expect for a work environment, the Vito's ergonomic, well-planned interior will come as a pleasant surprise.



Another way we raise efficiency: through motivation

The attractive exterior of the Vito carries over into the interior as well. Ergonomics, practicality and comfort are very important factors in ensuring

that drivers are motivated and enjoy their work. At the heart of things, the asymmetrical cockpit features instruments which are easy and convenient to read. The handy gear lever is a particularly thoughtful feature and allows unimpeded access

both across the cab and into the load compartment. With optional stepless height and tilt adjustment, the steering wheel can be precisely matched to the seat position. Large windows and exterior mirrors provide good vision at all times, while the

standard-fitted power steering prevents you breaking into a sweat when parking and turning in tight spots. The driving area is closely moulded to the needs of the driver: the ergonomically designed seat has multi-way adjustment and



A convenient four-speed automatic transmission with dynamic shift programme is optionally available for the CDI engines upwards of 75 kW (102 hp) and for the petrol engine



height-adjustable head restraints. The upholstery not only looks good, it is also breathable and hard-wearing. Optionally, heated seats or special comfort seats with armrests for driver and front passenger are available. A quiet but

powerful heating and ventilation system with four-speed fan provides a good working climate. It can optionally be specified with pollen filter, air recirculation and air-conditioning.

The automatic transmission. Shift some of your workload

Optionally, a four-speed automatic transmission is available for the Vito, both for the CDI diesel engines upwards of 75 kW (102 hp) and for the

petrol engine. The transmission is equipped with a dynamic shift programme which changes gear as if it could read your mind. Leaving you free to concentrate entirely on the road.



Engines and chassis

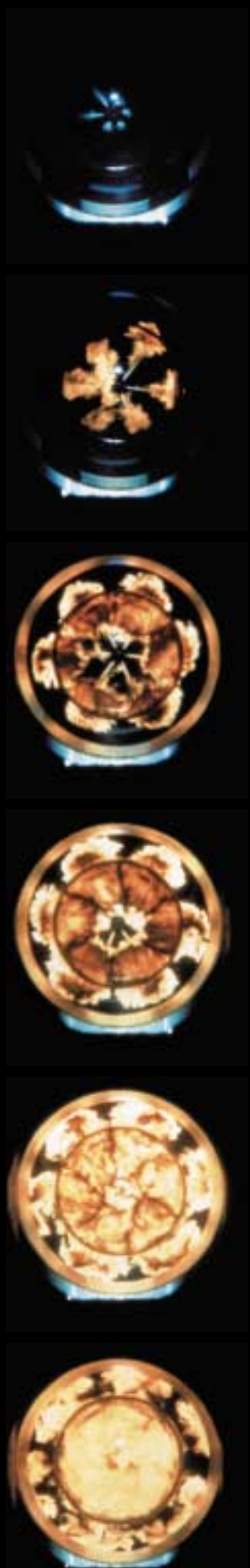
Our engines: more torque, more excitement

Suddenly, driving a van is something to get excited about. With dynamism, lively response and generous torque when accelerating from low revs, CDI technology makes a conspicuous difference. In the petrol engines too, performance and dynamism have been taken to a new level. What's more, the Vito's stirring performance comes with reduced fuel consumption and reduced CO₂ emissions.



*The CDI engines:
enormous torque is on
tap much earlier and
remains constant over
a wide speed range*





The engines for the Vito

Models		108 CDI
Engine		OM 611 A
Type		4-stroke common-rail direct injection turbodiesel
Number of cylinders		4
Bore/stroke (mm)		88.0/88.3
Displacement (cm ³)		2148
Number of valves		4 valves per cylinder
Camshafts		2 (overhead)
Output at (kW/hp) rpm		60 kW (82 hp) 3800
Torque at (Nm) rpm		200 1500 - 2400
Fuel consumption** (l/100 km) urban/extra-urban/average		10.3/6.9/8.1
CO ₂ emissions** (g/km)		216

*Automatic transmission

** Figures apply for Vito +2/Vito +3 registered as a passenger car in accordance with Directive 80/1268/EEC, version 93/116/EEC

The CDI engines.

The power to excite

Common-rail direct-injection diesel engines with four valves per cylinder and turbocharger (intercooled upwards of 75 kW/102 hp) give the Vito extra confidence in all the areas that tend to be critical for a van. Such as motorway sliproads or steep gradients. Or - on a completely different note - at filling stations. Because despite the improved performance and higher torque, these engines are actually more economical on fuel. The principle behind common rail is as follows: injection pressure is maintained at a virtually constant high level, giving maximum torque delivery over a wide range, irrespective of engine rpm. The dynamic power curve is particularly apparent when ac-

celerating from low speeds. Torque response is sharp as soon as you step on the accelerator. The result is more dynamism, responsiveness and power - which all adds up to a new driving experience for a van. And to deter anyone who wants to share in the experience, an electronic immobiliser is standard equipment. It is connected directly to the engine management unit via the CAN bus network. CDI turbodiesels are available in the following ratings: 60 kW (82 hp), 75 kW (102 hp) and 90 kW (122 hp), the latter both intercooled.

The petrol engine.

A genuine alternative

Our petrol injection engine, with its optimised electronic engine management, is also strong on

110 CDI	112 CDI	113
OM 611 LA	OM 611 LA	M 111 E 2.0
4-stroke common-rail direct injection turbodiesel with intercooling	4-stroke common-rail direct injection turbodiesel with intercooling	4-stroke petrol engine with electronically controlled fuel injection and ignition
4	4	4
88.0/88.3	88.0/88.3	89.9/78.7
2148	2148	1998
4 valves per cylinder	4 valves per cylinder	4 valves per cylinder
2 (overhead)	2 (overhead)	2 (overhead)
75 kW (102 hp) 3800	90 kW (122 hp) 3800	95 kW (129 hp) 5100
250 1600 - 2400	300 1800 - 2500	186 3600 - 4500
10.2/6.6/7.9 10.9*/7.0*/8.4*	10.2/6.6/7.9 10.9*/7.0*/8.4*	Kerb weight with driver <1735 kg >1735 kg 14.1/8.6/10.6 14.8/9.1/11.2 15.4*/8.9*/11.3* 16.3*/9.4*/11.9*
208 222*	208 222*	255 268 268* 284*

responsiveness, power and dynamism. Like the CDI units, it is equipped with CAN data bus and standard-fitted immobiliser. Developing 95 kW (129 hp) it is a genuine alternative.

Optional: flexible oil service intervals

All the engines available for the Vito boast a further economy feature: oil service intervals of 22,500 km (or once a year for the petrol units and once every two years for the diesel engines). With the "Assyst" service interval indicator, it is possible to go even further between services.

No conflict between ride and handling

No matter how much power is available, it still has to be

transferred efficiently to the road. Front-wheel drive and independent suspension in the Vito balance dynamic handling with a comfortable ride, whether on the straight or cornering. The optional Tempomat cruise control system raises the standard a further notch, while for manoeuvring the precise, light-action rack-and-pinion power steering provides additional support.

The intelligent automatic transmission that reads the road

Up hill or down? Optionally available on the Vito both for the CDI engines and the petrol engine (i.e. for the Vito 110 CDI, 112 CDI and 113), the automatic four-speed transmission with dynamic shift programme instantly reads the lie of the

land and adapts the shift points accordingly. This means that on uphill grades the full power of the engine can be enlisted, while on downhill stretches the full engine braking effect is available.

Environmental awareness is our driving force

As well as the thrifty Vito diesel and petrol engines, which all fulfil EU emissions standards thanks to their clean combustion processes, a practical alternative drive concept is available in the form of the Vito 108 E with electric motor. Plus, we are currently working on a propulsion concept for the future based on fuel cells, which will release water vapour instead of harmful emissions into the atmosphere.





Safety

A safe haven

The safety of a van is built not on any single component but on the flawless interplay of a range of different features. Here too, the Vito sets standards. After all, we have always put safety right at the centre of our design process.

Added safety starts with short stopping distances...

However many passive safety features the Vito offers, you'll be hoping against hope that you don't need any of them. That's why we attach such importance to active safety features such as a high-performance braking system, featuring ABS* in combination with ASR* (acceleration skid control) and disk brakes all round. The brakes maintain their full efficiency even when the vehicle is fully laden, under repeated fierce braking

and in extreme conditions. After all, every centimetre counts when it comes to stopping distances.

...but it doesn't stop there

The Vito has an integrated design in which the side members and cross members form part of the body. In the event of an impact, they absorb the bulk of the energy by deforming in accordance with a pre-determined pattern. The safety concept also includes a safety steering column, safety door openers and three-point seat belts. Optional driver and front

passenger airbags combined with belt tensioners round out the package. And if you specify a two-seater co-driver's bench in conjunction with a passenger airbag, then naturally we enlarge the airbag. Another point that has to be considered with a van is the enormous forces which can be generated if the cargo shifts during braking. The safety grills, which can be fitted behind the seats in place of a bulkhead, are therefore a very worthwhile option. They provide a reliable cargo stop if bulky items slip their leash,

while at the same time giving an unimpeded view to the rear. Optionally, an anti-theft alarm system with tow-away protection sensor is available. A battery-operated horn can also be added. The system is activated automatically when you lock the vehicle.

* In some countries, ABS/ASR are not standard equipment on the Vito CDI models

Full-size airbags are optionally available for driver and co-driver

Strong: optional safety grills provide an effective cargo stop without obstructing the view to the rear



"Assyst" service interval indicator for flexible oil service intervals



Sound 30 APS (Auto Pilot System) radio



Cruise control



Anti-theft alarm system with tow-away protection sensor (battery horn can also be included)



Electric windows, power-adjustable and heated exterior mirrors



High-performance air-conditioning



Two-seater co-driver's bench



Tilting sunroof



Full-width bulkhead glazed and unglazed



Rear doors, with 180° side hinges



Sliding load compartment door, glazed



Safety grill

Special requests are nothing out of the ordinary for the Vito

Sensible, functional, individual – we take it for granted that your vehicle will need to be moulded exactly to your requirements. So there are very few requests we have to turn down. Here is a selection of the most important optional extras available for the Vito. And please don't forget to ask at your Mercedes-Benz dealer's for information about our wide range of accessories.

Optional equipment	Panel van	Panel van, part-glazed (Vito +2/Vito +3)
4-speed automatic transmission with dynamic shift programme (not for 60 kW engine)	●	●
Air-conditioning	●	●
Airbag (passenger)	●	●
Airbag (driver's)	●	●
Air recirculation with pollen filter	●	●
Anti-lock braking system ABS and acceleration skid control ASR	●	●
Anti-theft alarm system, with anti-towing sensor, with or without battery-operated horn	●	●
Ball head trailer coupling, fixed	●	●
Central locking with radio-frequency remote control	●	●
Cruise control	●	●
Electric windows	●	●
Full-width bulkhead (glazed and unglazed)	●	-
Heated seats (driver and co-driver seats)	●	●
Height-adjustable steering wheel	●	●
Load anchor rings	●	●
Luxury co-driver's seat	●	●
Luxury driver's seat	●	●
Power-adjustable and heated exterior mirrors	●	●
Rear doors glazed, 180° side hinges	●	●
Rear doors unglazed, 180° side hinges	●	●
Residual engine heat exchanger	●	●
Safety grill	●	●
Seating in first rear seat row (2-seater bench)	-	●
Seating in first rear seat row (3-seater bench with through-access)	-	●
Seating in first rear seat row (3-seater bench)	-	●
Sidewall trim in load compartment extending to roof	●	●
Sliding load compartment door, glazed	●	●
Sliding load compartment door, offside (glazed)	-	●
Sliding load compartment door, offside (unglazed)	●	-
Sound 10 radio	●	●
Sound 20 radio	●	●
Sound 30 radio	●	●
Sound 30 APS (Auto Pilot System) radio	●	●
Tailgate, glazed	●	●
Tilting glass roof	●	●
Two-seater co-driver's bench	●	●
Ultrasonic reversing aid	●	●
Vito +2/Vito +3 package (seat anchorage points in first rear seat row, window in sliding load compartment door and on opposite side, interior trim parts in area of first rear seat row)	-	●
Wooden floor covering in load compartment	●	●

● available as optional extra - not available as optional extra



Solutions for and around the world of transport

Our range of services knows no bounds – literally



As a manufacturer of state-of-the-art vans, you have to think past just the basic vehicle. Customer services and a comprehensive vehicle service package covering all of Europe are set to play an increasingly important role in determining how efficient you, the customer, are able to operate. This in turn means they will make a crucial contribution to the competitiveness and cost-effectiveness of your company.



Service knows no closing time

With over 2700 outlets throughout Europe, we have one of the most concentrated commercial vehicle service networks. We have genuine spare parts in stock – and any we don't have in stock can be obtained very quickly. In addition, more and more workshops are working until ten o'clock at night. Special offers for maintenance and repair contracts can offer additional security. And should you have a vehicle problem which means you can't make it into the workshop, our "Service 24 h" is available to help you in 28 European countries, at any time of day or night.

Leasing, financing, CharterWay – the choice is yours

Advantageous leasing and finance packages can provide you with an individual solution to suit your personal financial circumstances. In addition to this, Mercedes-Benz CharterWay, one of the leading service partners for commercial vehicles in Europe, is able to offer a range of innovative purchase and operator concepts revolving around the motto "Make the most of services." Thanks to CharterWay, costs can be calculated for the entire period of operation, the administrative work load is cut and your fleet will be able to deliver maximum performance at any time. You can choose from an

array of tailor-made solutions, which you may implement for the entire fleet or for individual vehicles within the fleet, whatever best suits your individual requirements. You can also optimise your fleet operating system by combining a number of different services. The CharterWay full-service concepts will, as far as possible, eliminate all the technical and economic risks you would normally have to face as a business owner. All fleet management solutions have of course been devised based around the national regulations of each country, as well as local legal stipulations and specific requirements and circumstances. Mercedes-Benz CharterWay is a partner boasting supreme expertise, country-by-country know-how and local presence, making sure your fleet is kept in tip-top shape, anytime, anywhere.

You need more than just innovative engineering: the new MercedesService Card*

The MercedesService Card is your mobility guarantee – it is the key to a pan-European, comprehensive service package and makes sure you can obtain any service you may require for your vehicle en route without the need for cash. This saves both precious time and frayed nerves. Apart from this, the MercedesService Card is the key component of an intelligent payment management system, which helps to organise your company in

an even more effective and economic style.

As well as being accepted at over 15,000 petrol stations in 37 countries in Europe and North Africa, the MercedesService Card can be used to pay for repairs, services and parts at virtually all authorised Mercedes-Benz partners in Europe. Naturally, this includes rapid, uncomplicated assistance in emergencies. But it doesn't stop there: whether it be tunnel charges in Austria, Switzerland or France for example, toll road charges in ten different European countries, paying for travel on North Sea or Baltic Sea ferries, customs clearance services at over 100 border offices in 11 countries or even Eurovignette duties, all the above services can be paid for using the MercedesService Card. A cashless, easy-to-use system which even includes an optional VAT refund service.

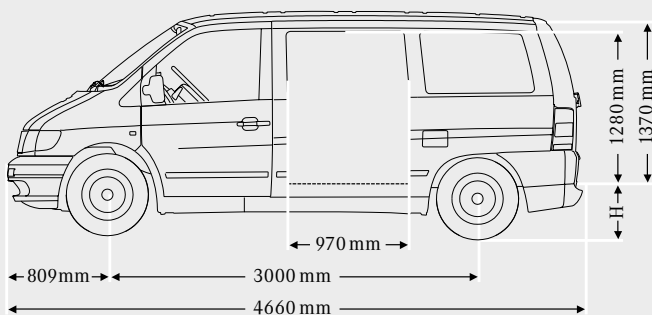
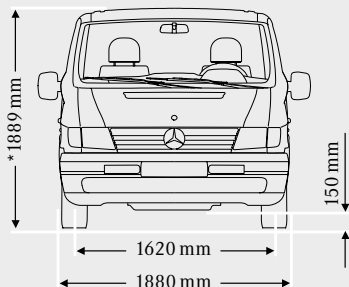
Card security has not been forgotten either of course: the MercedesService Card is issued for a specific vehicle; it bears the vehicle registration, and it is also protected by a PIN code.

And to help you keep track of costs, you will be sent an itemised bill twice a month, which clearly displays the details of all transactions. You can also opt for the Drive & Save software featuring integral fleet controlling. This package uses refuelling data entered online to identify potential areas for cutting costs,

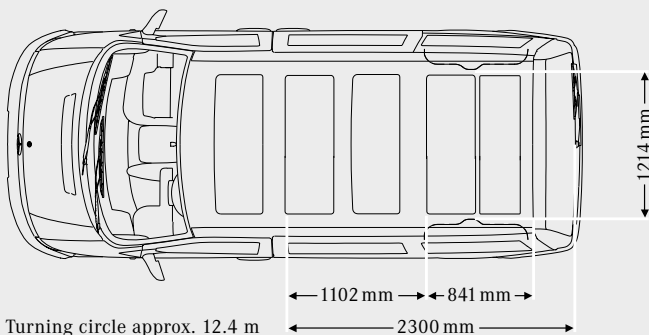
and also allows checks to be carried out to make sure petrol stations with low fuel prices were used. You can then use the price and route planning function to tell your drivers where they can find the cheapest fuel before they have even set off.

*The MercedesService Card combines the services of the pan-European Mercedes-Benz service network with those of the UTA Full-Service Card.

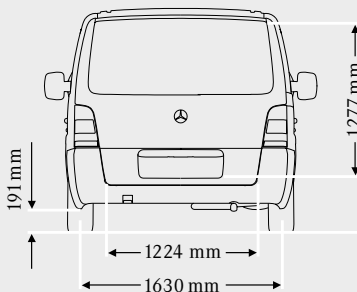
Weights and dimensions



Load floor: 3.6 m²/cargo space: 4.8 m³/H: approx. 526 mm*/433 mm



Turning circle approx. 12.4 m



*unladen

Model	Perm. GVW (kg)	Load compartment dimensions L x B x H (mm)	Maximum payload (kg)
108 CDI	2700	2300 x 1620 x 1370	1000
110 CDI	2700	2300 x 1620 x 1370	995
112 CDI	2700	2300 x 1620 x 1370	995
113	2700	2300 x 1620 x 1370	1030

Vito standard equipment

Body styles

The Vito panel van is available with a wheelbase of 3000 mm and a roof height of 1889 mm. It is of integral construction with bolted attachments, the floor assembly comprising transverse and longitudinal members integrated into the body. The Vito +2/Vito +3 version includes reinforcing plates which allow seats to be fitted in the first rear seat row. The coefficient of drag (C_d 0.34) is on a par with that of a car. The bodyshell structure is designed to the highest safety standards.

Doors

The entrance is situated behind the front axle, with hinged doors on the driver and passenger side giving easy access. The tailgate opens to 83°. The sliding door on the nearside ensures easy entry and exit and convenient loading. Optionally, side-hinged rear doors are available. They can be secured at 90° and 180°.

Windows

The windscreen is made of laminated glass.

Seats

The driver's seat with breathable upholstery features four-way adjustment. The co-driver's seat in the panel van has an adjustable backrest. The Vito +2/Vito +3 version can seat up to six people, including the driver.

Heating/ventilation

All models are fitted with continuously adjustable hot-water heating with a four-speed fan. With the CDI engines, a heater booster is standard (not fitted in some countries in panel vans with bulkhead).

Instruments

The instrument panel includes the speedometer, rev counter, fuel gauge, coolant temperature indicator, a quartz crystal clock, dashboard lights for the direction indicators, main beam, battery charge and oil/coolant/brake fluid levels and a front brake pad wear indicator. The joystick-style gear lever is integrated in the centre console.

Upholstery

Axles

The Vito is equipped with fully independent suspension all round. The permissible front axle load is 1420 kg, with a permissible rear axle load of 1330 kg. The payload varies depending on the optional specification. Front suspension and damping is by McPherson struts, on which the anchorage points for the stabilisers are located. Rear suspension is by coil springs with separate shock absorbers. The Vito has a dual-circuit hydraulic brake system with disc brakes on all wheels (vented at the front). Brake disk diameter is 276 mm at the front and 280 mm at the rear. A duo-servo parking brake acts on the rear wheels independently of the service brake.

Tyres: 195/70R15

Rims: 5.5J15

Steering

Power-assisted rack-and-pinion steering is standard on the Vito.

Safety equipment

- four disk brakes
- independent suspension front and rear
- safety steering column
- power-assisted steering
- foglamps
- adjustable headlamp range
- height-adjustable head restraints on all seats
- ABS/ASR (acceleration skid control) is standard for the petrol models



Standard design "Tempico"

The attractive and modern fabric design blends perfectly with the car-like ambience of the cockpit. The high-quality seat upholstery is breathable and hard-wearing.



"Aerogrey" leatherette

The optional, extra-hard-wearing tricot leatherette in refined aerogrey is washable and easy to clean.

Paintwork

The standard non-metallic colours and optional metallic shades shown here are only a fraction of the possibilities you can choose from for creating distinctive paintwork for your Vito. More than 100 additional special colours are also available.



arctic white



calcite yellow



piedmont red



turquoise blue



orchid green



hyacinth blue



*ruby metallic**



*zircon blue metallic**



*labrador blue metallic**



*carbon black metallic**



*brilliant silver metallic**



*alexandrite green metallic**

**optional extra*

The illustrations show accessories and items of optional equipment which are not part of standard specification.
Colours may differ slightly from those shown, owing to the limitations of the printing process. For more information
please contact your Mercedes-Benz van dealer or visit our website:
www.mercedes-benz.co.uk

This brochure is distributed internationally (Date of going to press: 01.03.01). Standard equipment and optional extras may vary from country to country.
The manufacturer reserves the right to make changes without notice.
DaimlerChrysler AG, Stuttgart VT/KG 633 · 11201 · 72-01/0301 Printed in Federal Republic of Germany/ Imprimé en République fédérale d'Allemagne