



THE NEW VANEO. BECAUSE EVERY DAY IS DIFFERENT.



Mercedes-Benz

Please note: changes may have been made to the product since this brochure went to press (03.02).
The manufacturer reserves the right to make changes to the design, form, colour and specification during the delivery period, provided these changes, while taking into account the interests of the vendor, can be deemed reasonable with respect to the purchaser. Where the vendor or the manufacturer uses symbols or numbers to describe an order or the subject of an order, no rights may be derived solely from these. The illustrations may show accessories and items of optional equipment which are not part of standard specification.
Colours may differ slightly from those shown in the brochure, owing to the limitations of the printing process.

This brochure is distributed internationally and may contain models and services which are not available in certain countries. Information given regarding statutory regulations, legal requirements and taxation applies to the Federal Republic of Germany only. Please consult your Mercedes-Benz dealer for final details.

Contents

05	Introduction. Mannheim to Pforzheim, to Ludwigsfelde
14	Vaneo Trend. Making light of hard work
20	Vaneo Family. Part of your family
26	Vaneo Ambiente. Comfortably meeting your needs
32	Leisure and accessory packages. The Vaneo handles your hobby
38	Seating configurations. Flexibility at your fingertips
42	Optional upgrades. 'Design' your own Vaneo
44	Safety. First and last
48	Engines. Flexibility under the bonnet
52	The lines compared. Choose your Vaneo
56	Paint finishes and upholstery. Because everyone is different
59	Technical data
61	Services





13°46'11.56"East 45°38'47.04"North





The day that made a difference

The day that saw the first steps towards the invention of the motor car may have started like any other. But by the end, it proved to be a day that would make a difference to everyone's lives, forever.

As the oldest and one of the most innovative of all automobile brands, the history of Mercedes-Benz stretches back to the very beginnings of the car. And no other motor manufacturer can call upon the same pedigree and the same experience.

It is that experience which lies behind the development in Ludwigsfelde of the Vaneo – a vehicle designed to meet the challenges of motoring when every day is different. To do so demands innovation in concept and construction: something which – as pioneers of the automobile – is inherent in the Mercedes-Benz brand.

In 1879, Karl Benz and Gottlieb Daimler ignored those who scoffed at their 'useless carriage with no horse'.

Their vision and persistence were proved right, when in 1888 less than 10 years later, the first long distance journey in the history of the automobile was made by their 'Model Number 3', from Mannheim to Pforzheim.

That pioneering spirit is reflected today in every new Mercedes-Benz model. Yet however radical the design concept, however innovative the engineering, the importance of tradition is not forgotten in the rush for originality. Every Mercedes-Benz also symbolises the long-established values of the brand. Excellence in engineering, uncompromising safety, the highest levels of comfort, combined with the ultimate in practicality, are the cornerstones of the design philosophy which has helped to create every Mercedes-Benz on the road today.

The Vaneo is no exception.





09°06'42.12" East 39° 12'52.56" North





There's no such thing as an average day

Think about what you did yesterday, what you are doing today, and what you might do tomorrow. Is it ever completely predictable? It's unlikely. Modern life demands so much from us that we go from day to day meeting new and different challenges, depending whether we're at work, at home, or at leisure.

No wonder that more and more of us are looking for a vehicle which will change to meet our changing needs.

At Mercedes-Benz, we know that's how you feel – because we asked you. The design of the new Vaneo is solidly based on many hundreds of hours of discussion with people like you: people who need a vehicle that's versatile enough to cope with all the demands of everyday life, even when every day is different.

If one word had to sum up the new Vaneo, it would be 'flexible'. Because one day you may need space for seven passengers, and another day you may want to carry a large load. Because one day you may be in town, and another day at the beach with the family. Because you want space to be able to carry anything and

everything you need, but you don't want to take up too much space on the road.

If anyone was ever going to produce a vehicle to meet those criteria, it had to be Mercedes-Benz. Having developed the innovative sandwich-style floor construction for the revolutionary A-Class, it's unlikely that anyone can match our experience at providing more interior space in smaller exterior dimensions. The Vaneo adopts the sandwich concept and takes it to new extremes, with 3,000 litres of load space in a vehicle just 4.20 metres long.

But the Vaneo's flexibility is not a product of just one special feature: it's a combination of features. From its five leisure and accessory packages (for winter sports lovers, surfers, cyclists, dog owners and load carriers) to more than 100 seating variations. From its sliding side doors to its three model lines and four engine options. It's the amount of choice it gives you that makes the Vaneo the ideal solution to the problems you encounter every day.





12°07'59.88" East 46°32'21.12" North



A different way of thinking, every day

The new Vaneo goes beyond what any car has ever offered you before. But that's something people have come to expect from a Mercedes-Benz. In the same way, we go beyond thinking about the vehicle alone, and look at the part it plays in your life and your world.

The Vaneo and your world

The impact of the automobile on the environment – during manufacture, while in use, and at the end of its useful life – is something which particularly concerns Mercedes-Benz.

The Vaneo plays its part in minimising the effects of road travel on the environment, and in conserving scarce resources, by incorporating the latest engine technology. It not only meets the relevant emission levels, but also ensures fuel-efficient running.

Because, like every Mercedes-Benz, the Vaneo is built to last, it will be a long time before you have to think about its recyclability. But we thought about it even before the Vaneo was built. That's why many of the components of the Vaneo are recyclable, made from sustainable raw materials, or from fully recycled material. And it's why you can drive your Vaneo knowing that its environmental impact, from beginning to end, is as carefully considered as every other aspect of its design.

The Vaneo Trend. Making light of hard work

The Vaneo has the versatility to be all things to all people – and on different days, even different things to the same people. Its versatility is extended even further by the choice of three different design and equipment lines.

The first of these is the Vaneo Trend. Supremely practical with excellent levels of standard equipment and huge versatility, the Vaneo Trend will take whatever you throw at it, and come out looking as good as new.

The upholstery is neutral in colour and in easy-care materials. And there are no fewer than ten paint finishes to choose from: four fashionable standard paints and six elegant optional metallic colours. So the Vaneo Trend's exterior is as good looking as its interior is hard working.





1		2	3
4	5	6	

- 1. It's easy to find your ideal driving position with the height adjustable steering column*
- 2. The interior of the Vaneo Trend is designed for practicality, upholstered in neutral, easy-care materials*
- 3. Second row passengers are by no means second-class. Access is easy and comfort is assured*
- 4. Everything's at your fingertips - including the optional Mercedes-Benz Sound 30 radio/CD
(Standard equipment is Sony or Blaupunkt radio/CD)*
- 5. A useful oddment tray and bottle holder are built into the transmission tunnel along with a 12V socket*
- 6. Need to read a map or find a dropped earring in the dark? There's a useful ceiling light and reading light for the driver and front seat passenger*
Some of the equipment shown may be optional

7	8	9	
10		11	12

7. *Electric windows are standard equipment on the Vaneo Trend*
8. *Height-adjustable seatbelts with tensioners and belt force limiters for driver and front passenger seats and tensioners for the outer seats in the second row, ensure seatbelts operate effectively at all times, for both adults and older children*
9. *The exterior mirrors are not only power adjustable, but also heated*
10. *You know all those things that roll under seats and get lost? Here's the place to keep them, in the load compartment oddment tray*
11. *Ignore the mileage indicator and look for the Service Indicator (ASSYST) instead, to decide when the next service is due*
12. *Safe storage for a bottle and other odds and ends, easily accessible in the driver's and passenger's door*
Some of the equipment shown may be optional



The Vaneo Family. Part of your family

Family life is nothing if not demanding. And one of its greatest demands is flexibility. So naturally, the car that's been specifically designed to be flexible has a model that's specifically for the family.

While comfort hasn't been forgotten – for either parents or children – we know that as a parent you are concerned about your child's safety. Integrated child seats mean you can relax, knowing they're sitting safely. And knowing how hard it is to get out of the house with a young family to pack for, we've done our best to help. The Vaneo Family has a pull-out loading floor to make it easier to load up with prams, carry cots, and all the other family paraphernalia. We've also included plenty of extra storage space, such as storage drawers under the rear seats. We've even made sure the interior lighting is unobtrusive, so you can keep an eye on sleeping children at night.

But having a family isn't just about hard work. It's also fun – and that's reflected in the lively, colourful interior designs of the Vaneo Family. Though we've made sure they're especially hard wearing.







1. Able to support up to 120kg when extended, the pull-out loading floor makes loading easy, with two locking positions
2. Bright, colourful and fun. The interior of the Vaneo Family is the perfect place to bring up the family
3. Children travel as safely as adults, in integrated child seats
4. The centre console has a carbon-look trim which is colour co-ordinated with the upholstery
(optional stereo system shown - standard equipment is Sony or Blaupunkt radio/CD)
5. The folding table in the driver and front passenger seat backrests comes in useful for games, snacks or picnics
6. When you've unloaded your shopping, the multi-functional box simply folds out of the way or can be used as an easy-to-clean loadspace liner

Some of the equipment shown may be optional

	7	8	9
10	11	12	

- 7. Standard on all Vaneos - remote central locking puts the driver in control of the doors*
- 8. Storage boxes are integrated under the rear seats*
- 9. Keep an eye on your smaller passengers with the second interior mirror*
- 10. It's easy to be tidy when there's somewhere convenient to put your rubbish*
- 11. Safe and secure roof rails to attach optional specialist carrying racks*
- 12. Protect your belongings from prying eyes with the luggage cover*



Vaneo Ambiente. Comfortably meeting your needs

Even though you demand versatility from your vehicle, one thing doesn't change: your expectation of the highest levels of comfort and refinement.

With the Vaneo Ambiente that's exactly what you'll find: from the highly polished finish of the burr walnut trim, and the unique texture of leather on the steering wheel and gear lever, to the air conditioning and the light alloy wheels.

These exceptionally high quality materials, tell you that the Vaneo Ambiente is first and foremost a Mercedes-Benz, and second - the most exclusive model of the flexible and versatile Vaneo range.







- 1. 5-spoke light alloy wheels reveal the stylish nature of the Vaneo Ambiente*
- 2. The burr walnut trim adds the finishing touches to the top of the range Vaneo*
- 3. With no sills to negotiate, it's easy to get to the rear seats in any Vaneo*
- 4. Sounds right and keeps you on track - the optional MB Audio 30 APS radio with satellite navigation system*
- 5. The driver benefits from a comfortable armrest with storage compartment*
- 6. The luxurious feel of leather on the steering wheel and gearshift*

Some of the equipment shown may be optional

7		8	9
10		11	12

- 7. Just one touch locks all doors, from inside or out, with central locking and radio remote control*
- 8. The luggage cover protects your luggage from prying eyes*
- 9. There's more space for luggage on the roof if you need it*
- 10. The load area contains a 12V socket*
- 11. Useful storage nets on the driver and front passenger seat backrests, for books, papers or maps*
- 12. A rear compartment reading light and night light helps to ease the journey, without distracting the driver*



What are you going to do today?

There's so much to pack into every day, it's a good job you can pack so much into the Vaneo. And to make it even easier to do whatever you want to do, the Vaneo offers five different equipment packages to suit your particular needs.

Surfing safari

Unless you're fortunate enough to live on the beach, if you want to seek the surf you have to carry your surfboard. Not the easiest thing to fit into most vehicles, it's simplicity itself with the Vaneo 'Surf' package.

A special surfboard rack for the roof keeps your board secure, while a pull-out loading floor makes it easier to load those surfing accessories. And because once you've found the waves you won't want to come home again, we've included a coolbox and a Thermos flask so you can stay surfing longer.

Snow business

For something so graceful and elegant on the slopes, there's nothing more awkward than skis when it comes to loading them into your vehicle. Not to mention, that bulky ski suit and cumbersome ski boots.

The Vaneo's 'Winter Sports' package provides a pull-out loading floor – capable of supporting up to 120kg – to make it easier to load your skiing equipment. There's a roof rack for four pairs of skis or two snowboards. And just to prove we've thought of everything, there's even a Thermos flask to keep your coffee hot.



1. 'Surf' package: There's no shortage of space when the surf's up
2. 'Surf' package: You may be miles from anywhere, but your Vaneo has the comforts of home - with cool box, Thermos flask and 12V socket
3. 'Winter Sports' package: The Vaneo is fully equipped to carry all your winter sports equipment
4. 'Winter Sports' package: A Thermos flask, 12V socket and plenty of space, gives you a nice warm feeling inside



On your bike

You can't always cycle everywhere. Sometimes, you'll need to take your bike in your Vaneo - so we've made it very easy for you. The 'Cycle' package not only includes an interior mounted bicycle rack for two bikes, for ease of carrying and greater security. It also has a pull-out loading floor to make loading and unloading easier, and a 12V pump, to make sure nothing stops you getting the most out of your bike.

It's a dog's life

In the Vaneo, you can be sure that man's best friend travels as comfortably and safely as you do. Our 'Dog' package provides a

non-slip rubber mat, which means your pet won't slide around when you corner or brake. The dog grille keeps pets, passengers and luggage separate and safe.

Hard work made easy

If you need your Vaneo to earn its keep, the 'Carry' package is just what you need. The removable, protective, easy-to-clean Carry Box loadspace liner means that with a few quick moves, you can transform the Vaneo into a convenient, load carrying-only vehicle. And just as quickly, change it back again at the end of the working day. The liner also folds up quickly and easily for storage in your garage, shed or basement.



5	6	7	8	9	10	11	12
---	---	---	---	---	----	----	----

- 5. 'Cycle' package: Anchorage points ensure your bikes won't go anywhere until you're pedalling them
- 6. 'Cycle' package: Pump, tools and 12V socket: the next best thing to a mobile bicycle workshop
- 7. 'Dog' package: Keep your dog comfortably in its place and leave space for other things
- 8. 'Dog' package: The dog grille and non-slip mat ensure a dog's life couldn't be better in the Vaneo
- 9. 'Dog' package: Extra fresh air for panting passengers, through the electric pop-open windows (standard on all models)
- 10. 'Carry' package: A removable liner protects the loadspace when it's in use and leaves it clean at the end of the day
- 11. 'Carry' package: The collapsible liner also conveniently folds down if you only need to protect the loadspace floor
- 12. 'Carry' package: Superbly practical, the 'Carry' package can be further enhanced with the removable front passenger seat (optional)

Leisure and accessory packages

Available with Vaneo Trend, Vaneo Family and Vaneo Ambiente

'Surf' package

12V socket in boot (standard on Family and Ambiente)

Basic carrier bars for roof rails

Cool box

Pull-out loading floor (standard on Family)

Roof rack for one surf board

Roof rails (standard on Family and Ambiente)

Thermos flask

'Winter Sports' package

12V socket in boot (standard on Family and Ambiente)

Basic carrier bars for roof rails

Pull-out loading floor (standard on Family)

Roof-mounted ski rack or snowboard rack

Roof rails (standard on Family and Ambiente)

Thermos flask

'Cycle' package

12V socket in boot (standard on Family and Ambiente)

12V pneumatic bicycle pump

Adapter set for bike tyre valves

Bicycle tool kit

Interior cycle rack

Pull-out loading floor (standard on Family) with bike anchorage points

'Dog' package

Dog grille with longitudinal divider

Non-slip mat for boot

'Carry' package

Removable protection for freight compartment ('Inbox')

More than 100 things to do with a seat

When you include the optional child seats for the third row, there are more than 100 possible seating variations in the Vaneo. (You may even be able to find a few more of your own).

For instance, you can fold down the seat backs or fold up the whole seat. You can take seats out completely (and put them back in again). You can have seats with arms and seats without. You can seat up to seven people or you can carry bigger loads and fewer passengers.

And in the third row, designed specifically for children, you can carry anyone weighing from 12-36kg in comfort (armrests adjust to size) and safety (integrated supports correctly cushion a sleeping child's head, and integrated seatbelts keep them secure). You can easily take the third row seats out, or leave them in and fold them forward for extra space.

In fact, there are so many seating variations, you may have to sit down just to think about them all.



Where shown, 3rd seat row is optional







Optional Equipment. Because everyone is different

The Vaneo builds flexibility upon versatility. Already the most versatile vehicle in its class, with the Vaneo range of optional upgrades you can virtually design your own vehicle, to satisfy your individual requirements and personal tastes.

While some of the upgrades are included in the leisure and accessory packages, they can also be chosen separately, to tailor your Vaneo precisely to your needs.

For example, if you frequently carry heavy loads – whether in

the shape of a pram or a parcel delivery – the unique pull-out loading floor will do much to make your life easier. Able to support up to 120kg, it makes loading and unloading heavy items less of a struggle.

On the other hand, if your loads are of a more lively variety, you'll appreciate the individual child seats in the third row of seating. Together with infinitely adjustable integrated seat belts, they ensure comfort and safety.



1	2	3	4	5	6	7	8	9	10	11	12
---	---	---	---	---	---	---	---	---	----	----	----

1. *The Auto Pilot System (APS) makes finding your way easy, as part of the COMAND on-board manager, incorporating radio/CD and satellite navigation with full screen mapping*
2. *Open up the reinforced glass electric sunroof for more fresh air*
3. *The Sound 40 Pro - Internet-enabled (WAP technology) and linked to the satellite global positioning system, the APS guides you straight to your destination - available late 2002*
4. *Air conditioning keeps the Vaneo's climate comfortable and constant, whatever's happening outside (Standard on Ambiente)*
5. *5-speed automatic transmission with Tipfunction and Speedtronic cruise control is available as an option (Speedtronic not available on CDI 1.7)*
6. *The MB Audio 30 APS navigation system guides you to your destination by the swiftest possible route*
7. *Ultrasonic signals from the Parktronic sensor check for obstacles behind and in front of the vehicle and alerts you to any obstruction*
8. *Your smallest passengers travel in the same comfort and safety as the rest*
9. *Keep things secure in transit under the luggage net*
10. *Storage drawers under the front seats ensure you're never short of places to keep things*
11. *A Nokia hands-free mobile phone system, is available as an optional extra*
12. *A floor-to-ceiling luggage net protects passengers from loose items in the luggage compartment*

Protected species

Safety is a non-negotiable concept for Mercedes-Benz. Although we have never been afraid to take risks with innovative design concepts, conversely, we have never taken risks with the safety of drivers and passengers.

Not only were we first to develop many of the safety features which are now commonly accepted (the principle of crumple zones, for example, came originally from Mercedes-Benz engineers). We are also usually the first to include new safety features as standard in our vehicles.

The Vaneo may be the ultimate in flexibility, but where safety is concerned, we remain as rigid and inflexible as ever: safety comes first, last and everywhere in-between.

Active and passive safety

The Vaneo is designed with numerous features to help you avoid an accident, as well as with many which will protect you in the event that the worst does happen. As a result, it easily achieved a four star rating in the Euro NCAP (New Car Assessment Programme).

Standard safety features include: driver and front seat passenger airbags, side airbags, Electronic Stability Programme (ESP®), including Acceleration Skid Control (ASR), Anti-lock Braking System (ABS) and Brake Assist (BAS), all round disc brakes, large safety rear lights, fuel supply interruption in the event of a crash, and remote central locking with an authorisation system.

The sandwich floor construction also does much to protect the occupants of the Vaneo in a frontal collision. Mounted at an angle, the engine and gearbox slide under the passenger compartment upon impact, so no components intrude into the interior.

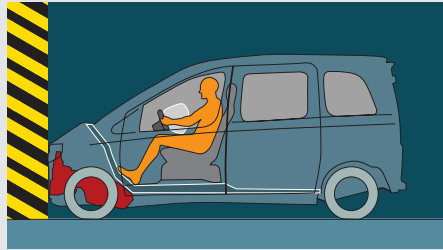
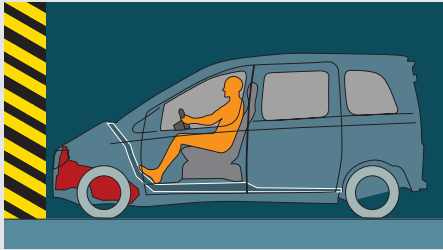


- 1. Naturally, a driver airbag is fitted as standard*
- 2. Side airbags provide protection in the event of a side-on collision*
- 3. If the front passenger seat is unoccupied, the airbag is not deployed*
- 4. Vital protection in the event of an accident, is provided by the front-seat passenger airbag*



5	6	7	8
---	---	---	---

- 5. Your guarantee of the highest safety standards
- 6. Every seat is fitted with a 3-point belt for maximum safety – including the middle seat in the 2nd seat row and both seats in the optional 3rd seat row
- 7. Acceleration Skid Control (ASR) prevents the driving wheels from spinning
- 8. The instrument cluster is clear and informative



Electronic Stability Programme (ESP®) and Acceleration Skid Control (ASR)

Driver error is one of the most frequent causes of accidents involving skidding. The Vaneo's ESP® counteracts skids by braking individual wheels and increasing or reducing the engine power, if necessary, to maintain control when a skid threatens. ASR ensures the wheels don't spin on slippery surfaces by braking the driving wheels if they begin to spin, and if necessary, reducing the engine speed.

Anti-lock Braking System (ABS) and Brake Assist System (BAS)

Locking wheels, with the attendant loss of grip and steering control, have long been recognised as a problem in an emergency braking situation, and the Vaneo's ABS is designed to overcome it. However, less well known is the tendency for drivers to brake too timidly in an emergency. The Vaneo's BAS recognises an emergency braking situation and automatically applies full braking pressure.

Sitting safely

No passenger in the Vaneo travels second-class. All seats have a full 3-point seat belt, for maximum safety. Rear child seats are integrated using the highly secure ISOFIX mounting system. When a Mercedes-Benz child seat with transponder is in use in the front passenger seat, the active safety system recognises the fact so the airbag will not activate. Similarly, the airbag will not inflate for an unoccupied front passenger seat. The sandwich floor construction not only means that passengers sit higher than in comparable cars – providing added injury protection – it also helps prevent the side structure collapsing underneath the other vehicle in a side impact.

The Vaneo – in a class of its own



The thinking behind the Vaneo

Until now, drivers seeking a ‘Mini-MPV’ had to settle for less than a Mercedes-Benz. But now, the new Vaneo has raised standards in the sector, and drivers no longer need to compromise in their desire for space, practicality, and comfort.

An all-new, all-purpose vehicle in a one-box design, the Vaneo delivers the superior loadspace the sector demands, together with unparalleled versatility and flexibility.

Combined with Mercedes-Benz attention to detail, and the levels of comfort and safety expected of the marque, the Vaneo re-defines the Mini-MPV.

The thinking in front of the Vaneo

The choice and versatility which define the Vaneo are nowhere better represented than by the four engines with which it’s available.

The 1.9 litre (125hp) and two 1.6 litre engines (82 or 102hp) offer a wide choice for the driver who prefers a petrol-fuelled unit. While for the diesel driver, there is the powerful 1.7 litre CDI engine, with four valves per cylinder and an electronically controlled Common Rail direct injection engine, offering 91hp.

All four engines have been tried and tested, and have more than proved their performance and economy. And naturally, they meet all relevant emission limits.

However, the choice doesn’t end there. The Vaneo also offers the option of 5-speed manual or 5-speed automatic transmission, (with Tipfunction and Speedtronic cruise control) or 5-speed manual with Automatic Clutch System (ACS), to suit your particular driving style.

- 1. Even the Vaneo’s engines are flexible, with no fewer than four to choose from*
- 2. 5-speed automatic transmission with Tipfunction and Speedtronic cruise control makes driving the Vaneo an even more relaxing experience (Speedtronic not available on CDI 1.7)*



km

00078

16.5°C





3. A 5-speed manual transmission with Automatic Clutch System - your dashboard display reminds you which gear you are in
4. The Speedtronic cruise control system lets you maintain a speed suited to changing traffic conditions, without using the accelerator (Speedtronic not available on CDI 1.7)

Design and equipment lines

<i>Line comparison table</i>	<i>TREND</i>	<i>FAMILY</i>	<i>AMBIENTE</i>
12V socket in centre console	●	●	●
12V socket in load space	○	●	●
5-speed automatic transmission with Tipfunction and Speedtronic cruise control (Speedtronic not available on CDI 1.7)	○	○	○
5-speed manual transmission	●	●	●
5-spoke light alloy wheels	○	○	●
ACS - Automatic Clutch System (with 5-speed manual transmission)	○	○	○
Air conditioning	○	○	●
Airbags and sidebags for driver and front passenger	●	●	●
Alarm System with immobiliser and interior protection	●	●	●
Anti-lock Braking System (ABS) with Brake Assist (BAS)	●	●	●
Automatic child seat recognition sensor on front passenger seat (only works in conjunction with Mercedes-Benz child seats fitted with a transponder)	●	●	●
CD changer (for 6 CDs)	○	○	○
Childproofing for sliding doors	●	●	●

<i>Line comparison table</i>	<i>TREND</i>	<i>FAMILY</i>	<i>AMBIENTE</i>
Cockpit Management and Navigation Display (COMAND) (incorporating radio/single CD player)	○	○	○
Disc brakes front and rear	●	●	●
Door mirrors - electrically operated and heated	●	●	●
Driver's seat with seat height/backrest angle and seat cushion angle adjustment	●	●	●
Dust filter and air recirculation switch	●	●	●
Electric rear ventilation windows	●	●	●
Electric front windows	●	●	●
Electronic Stability Programme (ESP®) with Acceleration Skid Control (ASR)	●	●	●
Folding shopping box	□	●	□
Fold-out tables on driver's and front passenger's seatbacks	○	●	○
Front centre armrest	○	○	●
Front passenger seat - vertically adjustable and removable	○	○	○
Front seat belts, height-adjustable with pre-tensioners and belt force limiter	●	●	●
Heated front seats	○	○	○
Heated windscreen washer nozzles	●	●	●

continued...

<i>Line comparison table</i>	<i>TREND</i>	<i>FAMILY</i>	<i>AMBIENTE</i>
Individual child seats for 3rd seat row (2)*	○	○	○
Integrated rear child seats (2) (2nd seat row)	○	●	○
ISOFIX child seat preparation for outer rear seats (2nd seat row)	●	●	●
Leather trimmed steering wheel and gearshift	○	○	●
Leisure & Accessory Packages (Further information can be found on pages 32-37)	○	○	○
Luggage cover	●	●	●
Map nets on front seatbacks	○	○	●
Mercedes-Benz Audio 30 APS	○	○	○
Metallic paint	○	○	○
Outside temperature gauge	●	●	●
Parktronic (PTS)	○	○	○
Protective rubbing strips in body colour	●	●	●
Pull-out loading floor	○	●	○
Radio/Single CD	●	●	●
Rear compartment lighting comprising spotlight and nightlight/reading light	○	●	●
Remote central locking with interior switch	●	●	●
Roof rails	○	●	●

Line comparison table

	<i>TREND</i>	<i>FAMILY</i>	<i>AMBIENTE</i>
Seat belt pre-tensioners - rear (outer)	●	●	●
Second interior mirror	□	●	□
Service indicator (ASSYST)	●	●	●
Speedtronic cruise control for manual/ACS transmissions (petrol models only)	○	○	○
Split folding rear seat - multi-adjustable and removable	●	●	●
Steering column - manually adjustable for height	●	●	●
Storage boxes under front seats	○	○	○
Storage boxes under rear bench seat	○	●	○
Three-point seat belts on all seats	●	●	●
Tinted windows incl. filter band in front windscreen	●	●	●
Twin sliding rear side doors	●	●	●

* not available with the pull-out loading floor

● standard equipment

○ optional equipment

□ available as an accessory

Paintwork and upholstery combinations

<i>Standard paints</i>	<i>Upholstery: Trend</i>	<i>Upholstery: Family</i>			<i>Upholstery: Ambiente</i>		
	Orion grey	Anthracite	Sky blue	Royal red	Anthracite	Sky blue	Royal red
3586 Magma red	●	●	-	○	●	-	○
9147 Arctic white	●	●	●	●	●	●	●
4513 Dark violet	●	●	-	-	●	-	-
6830 Aqua green	●	●	-	-	●	-	-
<i>Metallic paints</i>							
5555 Zircon blue	●	●	●	-	●	●	-
9154 Carbon black	●	●	●	●	●	●	●
9744 Brilliant silver	●	●	●	●	●	●	●
3548 Amber red	●	●	-	●	●	-	●
6816 Andradite green	●	●	-	-	●	-	-
5345 Jasper blue	●	●	●	○	●	●	○

- optional
- recommended
- not available

Standard paint



3586 Magma red



9147 Arctic white



4513 Dark violet



6830 Aqua green

Metallic paint *Optional*



5555 Zircon blue



9154 Carbon black



9744 Brilliant silver



3548 Amber red



6816 Andradite green



5345 Jasper blue

Upholstery and dashboard trim combinations

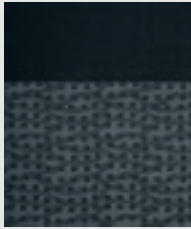
Trend

Upholstery:

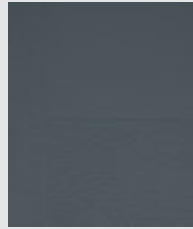
'Cortez' fabric

Trim:

'Soft effect finish'



Orion grey



Soft effect finish

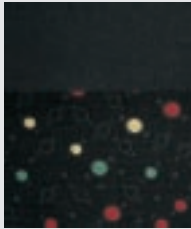
Family

Upholstery:

'Saturn' fabric

Trim:

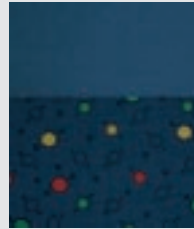
'Carbon effect'



Anthracite



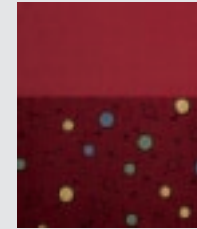
Carbon effect



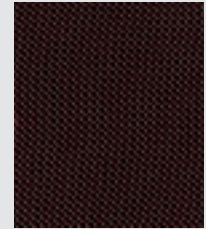
Sky blue



Carbon effect



Royal red



Carbon effect

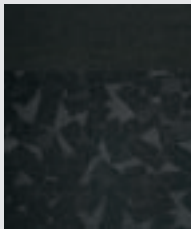
Ambiente

Upholstery:

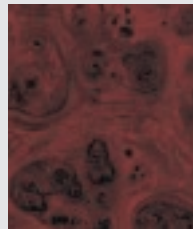
'Cara' fabric

Trim:

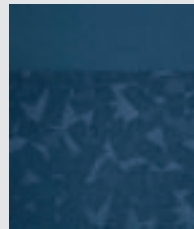
'Burr walnut wood'



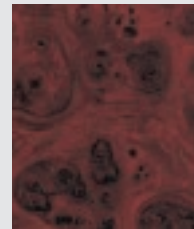
Anthracite



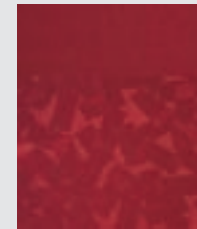
Burr walnut wood



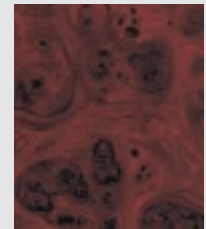
Sky blue



Burr walnut wood



Royal red



Burr walnut wood

Technical data

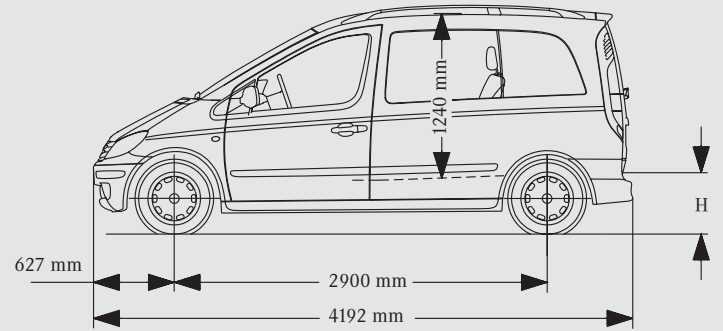
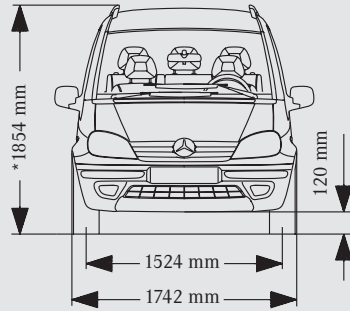
	<i>Vaneo[†]</i>	<i>Vaneo 1.6</i>	<i>Vaneo 1.9</i>	<i>Vaneo CDI 1.7</i>
Fuel type	Petrol	Petrol	Petrol	Diesel
Numbers of cylinders/arrangement	4/in-line	4/in-line	4/in-line	4/in-line
Bore/stroke (mm)	80/79.5	80/79.5	84/85.6	80/84
Displacement (cm ³)	1598 cc	1598 cc	1898 cc	1689 cc
Maximum power (hp/rpm)	82/5000	102/5250	125/5500	91/4200
Maximum torque (Nm/rpm)	140/2500	150/4000	180/4000	180/1600-3200
Turning circle (m)	11.8	11.8	11.8	11.8
CO ² emission* (g/km) man./auto	187/-	192/199	197/204	157/174
Top speed, approx.* (mph) man./auto	97/-	104/102	113/110	100/98
Acceleration 0 - 62.5mph (s) man./auto	15.8	13.5/14.3	11.1/11.9	16.0/16.0
Fuel consumption (mpg) man./auto				
City	27.3/-	26.5/25.6	26.5/24.7	38.3/33.8
Extra-urban	44.3/-	43.7/43.0	42.4/41.7	55.6/50.7
Combined	36.4/-	35.5/34.2	34.6/33.4	48.1/43.0
Kerb weight (kg)**	1365	1365	1375	1425
Perm. GVW (kg)	1910	1910	1920	1980
Fuel tank capacity (l)	54	54	54	54
Tyre size	185/60 R15	185/60 R15	195/55 R15	185/60 R15
Max. payload (kg)	545	545	545	555
Towing capacity (kg) braked/unbraked	750/400	750/400	750/400	750/400

All figures are provisional

* Figures in accordance with Directive 80 /1268 / EEC, version 1999 / 100 / EC or 93 / 116 / EEC

** Figures in accordance with Directive EC 92/ 21 (weight with vehicle ready for driving, tank 90% full, driver 68 kg and luggage 7 kg), applies to vehicles with standard equipment specification. Optional extras will generally increase this weight and reduce the payload capacity accordingly

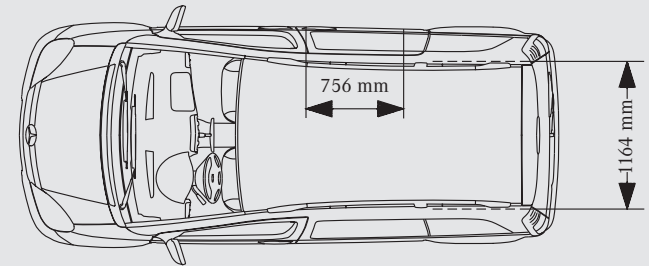
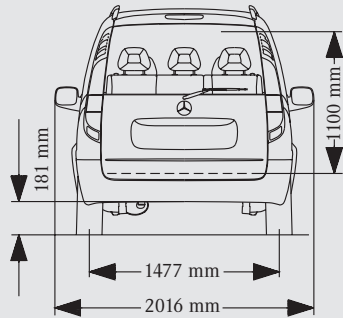
† Badging on vehicle is Vaneo name only on this model



H: approx. 553 mm*/485 mm

*unladen

Turning circle, average: approx. 11.8 m



Flexible finance

Financial Services for Mercedes-Benz

Buying a Mercedes-Benz vehicle will not only provide you with a superb driving experience but it is also a sound investment. We offer a variety of tailor-made finance schemes to suit your purchasing needs.

Options include Contract Purchase, Operating Lease, Finance Lease and Hire Purchase, with or without a final balloon payment. Further services include, a Mercedes Service Contract, which spreads the cost of servicing over a fixed period; Mercedes Insurance, a competitive motor insurance policy; Mercedes Assurance, which protects your payments in the event of an accident, illness, redundancy or death; and Mercedes Protection and Mercedes Vehicle Replacement Insurance, which both cover any shortfall if your Mercedes is stolen or irreparably damaged.

All of these packages are arranged through Mercedes-Benz Finance. For more information on our products and services, please ask your dealer or contact Mercedes-Benz Finance direct on 0870 847 0700 or at www.mercedes-benz.co.uk

Mercedes-Benz contact

For any questions you have, either about Mercedes-Benz in general or about your Mercedes in particular, we have a 24-hour contact telephone number. Our operators can speak several different languages and are fully trained to solve your problems or to answer your questions. Call 00 800 1777 7777 at any hour of the day, on any day of the year.

If you don't have a specific question but would like to browse through some information on Mercedes-Benz models, services, dealerships, news, motorsport, etc., why not have a look at our website?

“One thing I feel most passionately about:
love of invention will never die”

Karl Benz

