

The information and images in this brochure are based on the current technical data when going to print. The equipment shown is factory fitted or available as an option at extra cost, depending on the model. Where a feature is described as an option it should be assumed that it is at extra cost unless specifically stated otherwise. There may be some feature combinations that are not available in the UK and some photography may feature left hand drive vehicles. As part of a policy of continuous specification improvement, Peugeot reserve the right to modify the technical equipment, options and colours at any time. For full specification details please refer to the specification leaflet or ask your Peugeot dealer who will be happy to help. Note that current print and photographic techniques do not allow us to faithfully reproduce the full depth and tone of the colours in this brochure. This brochure is designed to provide general product information and is not a contractual document or offer of sale. For current information please contact your nearest franchised Peugeot dealer. The details in this catalogue cannot be reproduced without the express authorisation of Peugeot.



# The Peugeot **406**



Création BETC EURO RSCG - Automobiles Peugeot RC Paris B 552 144 503 - Edition: Gutenberg On Line (5) - Imprimé en U.E. - GB - 04/03

For details of Diplomatic and Export Sales, contact:  
Peugeot Export, 454-490 Mile End Road, London E1 4PE.  
Issued by: Sales and Marketing, Peugeot Motor Company plc, Aldermoor House, PO Box 227, Aldermoor Lane, Coventry CV3 1LT. Telephone: 0845 200 1234 (calls may be recorded for training and quality purposes, calls will be charged at local rate).

[www.peugeot.co.uk](http://www.peugeot.co.uk)

April 2003  
MCP 2069





4	<b>DRIVING TECHNOLOGY</b>
6	<b>CONTROL AND COMFORT</b>
8	<b>406 L</b>
10	<b>406 S</b>
14	<b>406 SE</b>
16	<b>406 EXECUTIVE</b>
18	<b>SAFETY AND ENGINES</b>
20	<b>COLOURS AND TRIMS</b>
22	<b>PEUGEOT CUSTOMER PROMISE AND ACCESSORIES</b>

Business and  
pleasure,  
perfectly  
balanced



## DRIVING TECHNOLOGY

- **Variable rate power steering** *(Depending on the version)*
- **Multi-arm rear suspension**
- **Automatic headlights on**
- **Fog lights**
- **Cruise control** *(Available with HDi engines only, depending on the version)*



- **Electrochrome rear view mirror** *(Available as standard on the SE and Executive)*

Thanks to two sensors that detect the light interval between the front and rear of the vehicle, the mirror darkens or brightens automatically, thus preventing dazzle.

- **Automatic rain sensing front wipers with automatic speed adjustment**

- ▶ **Satellite navigation system** *(Available as standard on the S, SE and Executive)*

Satellite navigation system supplies visual information on the display panel, and voice information via the car's audio system. It'll give you all the directions you need to get to your destination.

- **Emergency Brake Assist (EBA) with automatic illumination of hazard warning lights**



- **Multiplexing** Integrates all control units into a network where coded digital information is transmitted through a single cable, allowing a greater flow of information throughout the vehicle's electrical circuits.



Stylishly  
flexible



► **The JBL Audio system**

*(Available as standard on the Executive and optional on the SE)*

The JBL Audio system is a speaker system designed specifically for the 406.

Multifunction electronics control the volume and amplification, so you and your passengers will always enjoy matchless hi-fi sound.



## CONTROL AND COMFORT

- ◀ **Tilt and height adjustment of driver's seat**
- **Double memory position setting for driver's seat and memory setting for door mirrors**  
*(Available as standard on the Executive)*
- **Height and reach adjustable steering wheel**
- **Digital air conditioning with climate control and active charcoal filter**  
*(Available as standard on the S, SE and Executive. Optional on the L)*
- **Athermic (heat reflective) windscreen**
- **Electric front and rear windows with one touch opening and anti-pinch feature on driver's window**
- **60/40 split folding rear seat**
- **Boot net**
- **Roof rails**  
*(Estate only)*
- **Electrically operated and heated door mirrors**
- **Trip computer**  
Showing fuel consumption, distance travelled, range and average speed. This information and warning messages are displayed on the multi-function screen.

## Practical adaptability

...



### 406 L



- Polished wood effect inserts to dashboard and door trims
- Electric front and rear windows
- Chrome exhaust trim



#### ► 5-dial instrument panel with chrome surround and black background

- Speedometer with digital odometer/digital trip recorder and digital oil level indicator
- Water temperature gauge
- Fuel gauge
- Rev counter
- Oil temperature gauge.



#### ■ Chrome interior door handles

#### ■ Rear centre armrest

#### ■ Ski flap *(on the Saloon)*

#### ■ Digital air conditioning with climate control

*(Optional equipment on the L)*

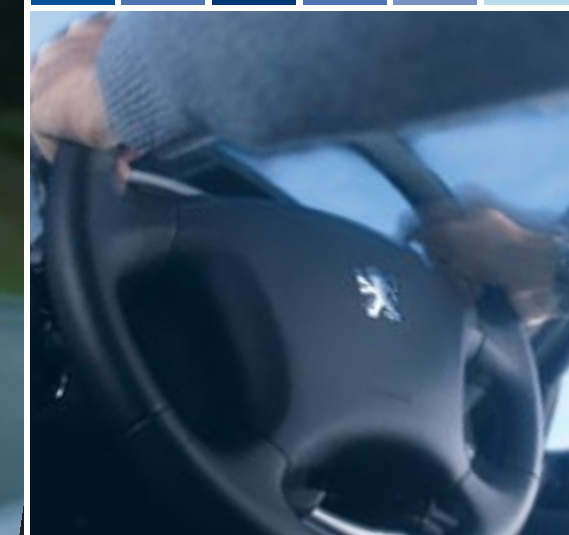
With its digital display, the air conditioning with automatic regulation optimises airflow and distribution to obtain the required temperature.



Columbia 15" wheel trim



Sleek  
performance



Ouragan 16"  
alloy wheels



- Burnished aluminium effect inserts to dashboard and door trims
- Leather-trimmed steering wheel and gear lever knob
- Digital air conditioning with climate control
- Chrome exhaust trim



◀ **5-dial instrument panel with chrome surround and white background**

- Speedometer with digital odometer/digital trip recorder and digital oil level indicator
- Water temperature gauge
- Fuel gauge
- Rev counter
- Oil temperature gauge.

- **16" Ouragan alloy wheels**

**406 S**





Take  
everything  
with you and  
just take off



## 406 SE



- ◀ **Contoured seats**
- **Leather and cloth trim, leather-trimmed steering wheel and gear lever knob**
- **Ebony effect inserts to dashboard, door trims and centre console**
- **Electrically operated front seats**
- **Sun visors with illuminated mirrors**
- **5-dial instrument panel with chrome surround and white background**
  - Speedometer with digital odometer/digital trip recorder and digital oil level indicator
  - Water temperature gauge
  - Fuel gauge
  - Rev counter
  - Oil temperature gauge.



- **Door sill illumination**
- ◀ **Chrome exhaust trim**
- **Digital air conditioning with climate control**
- **Electric folding door mirrors**
- **Electrochrome rear view mirror**



Ouragan 16" alloy wheels





Practical  
elegance



- Sun visors with illuminated mirrors
- Front and rear luxury carpet mats
- Door sill illumination
- 5-dial instrument panel with chrome surround and black background
  - Speedometer with digital odometer/digital trip recorder and digital oil level indicator
  - Water temperature gauge
  - Fuel gauge
  - Rev counter
  - Oil temperature gauge.
- Polished wood effect insert to dashboard, door trims and centre console
- Individual front seat armrests
- Chrome exhaust trim
- ▶ Leather interior trim



- ◀ Chrome interior door handles
- Digital air conditioning with climate control
- Electric folding door mirrors
- Electrochrome rear view mirror
- ◀ Tanami 16" alloy wheels

**406 EXECUTIVE**



Tanami 16" alloy wheels



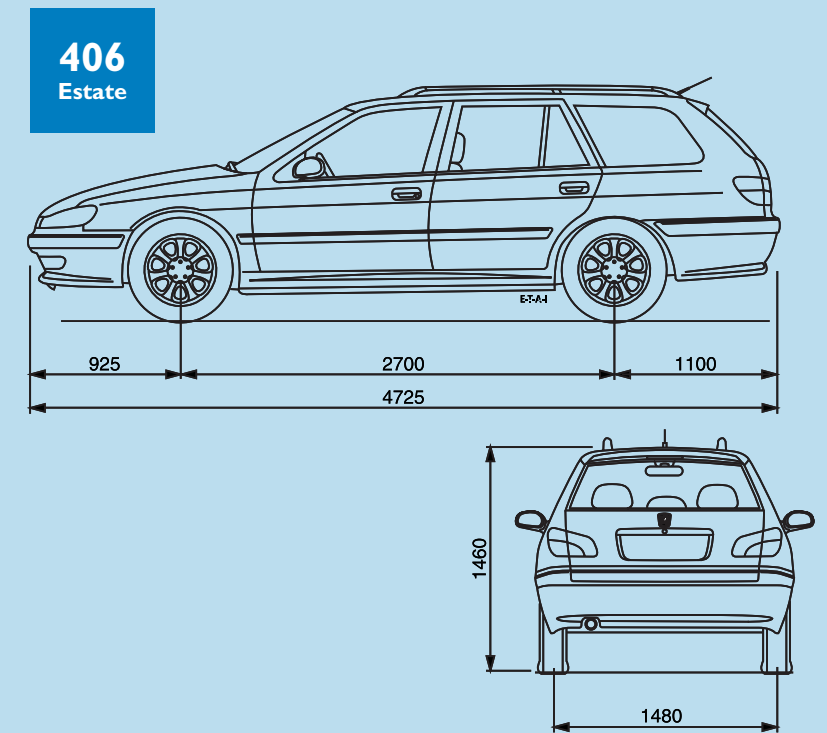
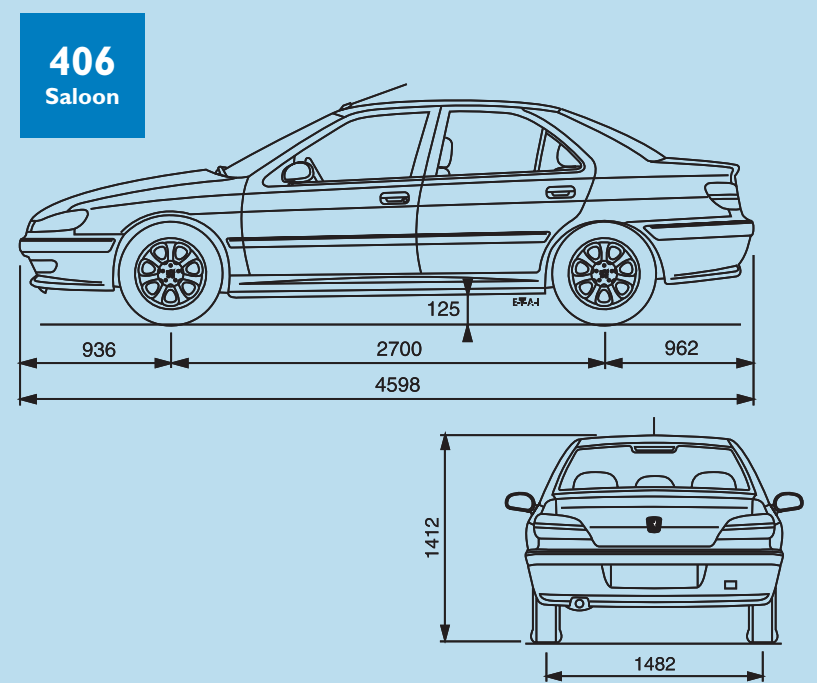
## Built-in confidence



- **Driver and front passenger SMART airbags (with deactivate switch)**
- **Front side airbags**
- **Emergency Brake Assist (EBA)**
- **Pre-tensioning front seat belts**
- **Three height adjustable rear headrests**
- **Three 3 point rear seat belts**
- **ABS with EBF**
- **Electronic Stability Programme (ESP)** (Available as standard on the Executive model) ESP makes it possible to control vehicle stability by comparing the course programmed by the steering wheel and the actual course of the vehicle. If there is a significant difference between the two- either over or understeer—the system applies the brakes to one or more wheels and

reduces engine torque, providing the driver with assistance that is both discreet and effective. It combines 4 functions:

- **Electronic Brake Force Distribution (EBFD)** - electronically distributes the braking on all four wheels in order to improve vehicle control.
- **Anti-lock Brakes (ABS)** - reduces the risk of the wheels locking when on slippery surfaces and significantly shortens braking distance.
- **Traction Control (ASR)** - prevents spinning of the wheels.
- **Dynamic Stability Control (DSC)** - helps the driver to bring the car back on the right track.



## SAFETY AND ENGINES

### Engines

406 models are fitted with a choice of three HDi diesel engines: 2.0 litre 90 bhp, 2.0 litre 110 bhp and 2.2 litre 136 bhp, and three petrol engines: 1.8 litre, 2.0 litre and 2.0 HPi.

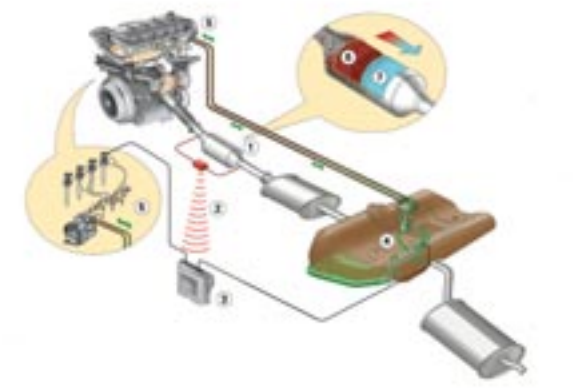
### Auto adaptive gearbox

Available on the 2.0 petrol engines and on the 2.0 HDi 110 bhp engine, this gearbox is electronically controlled and adapts to your driving style and to road conditions.

It has three programmes: Auto-adaptive for normal driving, Sport for more dynamic driving and Snow for starting in a higher gear to prevent loss of grip. The gearbox will automatically change down to increase deceleration power when braking rapidly.

### Particulate Emission Filter (FAP)

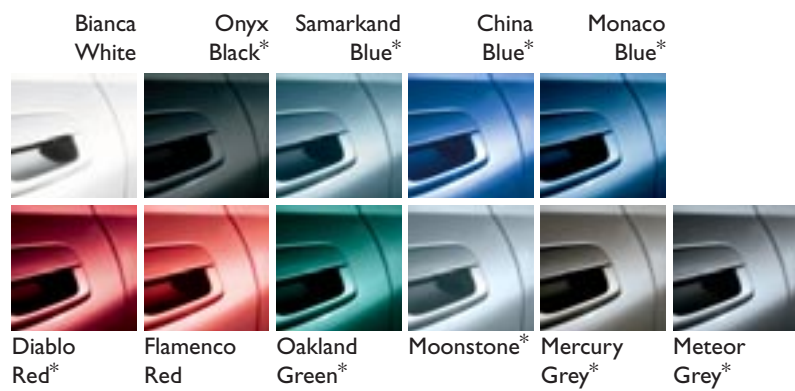
Fitted to the 2.2 HDi engine, this particulate filtering system consists of a porous structure integrated into the catalytic converter, reducing particulate emissions. Every 400 to 500 km, the intelligent engine management system ensures regeneration of the filter.



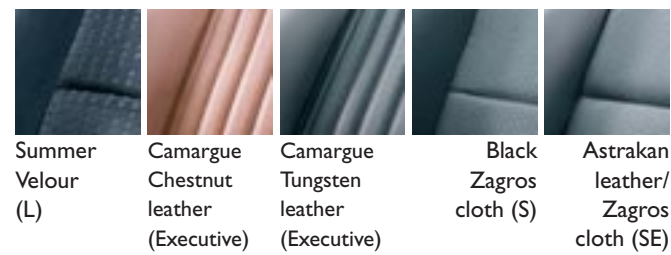
- 1) Catalytic converter and FAP filter
- 2) Sensors
- 3) Electronic engine management unit
- 4) Injection of additive into fuel tank if required
- 5) Information sent to the injector head when post-combustion is needed for self-regeneration
- 6) Catalytic converter
- 7) FAP particulate filter



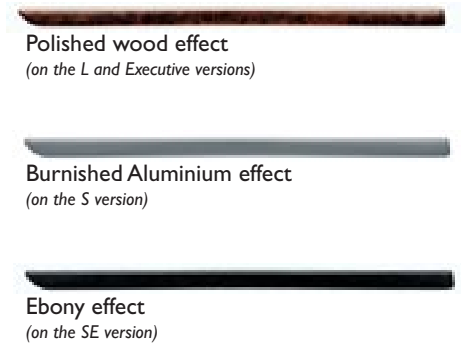
Aluminium\*



\*Metallic and pearlescent paint are options at extra cost (except on Executive models)



## COLOURS AND TRIMS



Polished wood effect  
(on the L and Executive versions)

Burnished Aluminium effect  
(on the S version)

Ebony effect  
(on the SE version)

## The Peugeot Customer Promise

When you buy a new Peugeot vehicle from a Peugeot Dealer in the UK and entrust your vehicle to one of them for servicing or repair, they promise: to give you the best people, with the best training and diagnostic tools, Genuine Peugeot parts and the best aftersales backup, all at a competitive price.



Warranty provided by the Peugeot Dealer network in the UK. This optional Warranty is offered free of charge but subject to the manufacturer's recommended servicing being carried out by an authorised franchised Peugeot Dealership. This additional Warranty carries a mileage limit of 60,000 miles (100,000 miles for Boxer models excluding Motorhomes and other converted vehicles) from first registration. The conditions of the additional 1 year Warranty are identical to those of the 2 years manufacturer's Warranty. (For full terms and conditions, please consult your Peugeot Dealer.)

**Peugeot Extended Warranty**  
Should you need protection beyond the initial 3 years of Warranty, the Peugeot Extended Warranty plan can give you cover of up to 120,000 miles or 4 to 5 years on cars, or 4 years with unlimited mileage on Partner, Expert, Expert Combi and Boxer vans. Available as an option at extra cost, the Peugeot Extended Warranty is one of the most competitive schemes of its type and is available exclusively to Peugeot owners. Please ask your Dealer for full details.

**Peugeot Service Care**  
Peugeot petrol engine vehicles need servicing every 20,000 miles or every 2 years, whichever is sooner. Drivers of diesel versions also benefit from extended servicing with 12,000 miles (10,000 non HDi diesel vehicles) or 2 years intervals. With less time spent in the maintenance bay and fewer service visits, Peugeot have passed on the benefits of in engine design and lubrication. Cost savings compared to competitive models increase with mileage covered, and could be up to 45%.

**Peugeot Insurance Centre**  
Peugeot Insurance has been specifically arranged for Peugeot owners. Offering discounted premiums and a fast and efficient claims service, it is another benefit of owning a Peugeot. Your dealer can provide a proposal form for a free quotation or you can call the Peugeot Insurance Centre direct on 0845 200 1234 for a free quotation.  
**Alternatively, contact:**  
Peugeot Insurance Centre  
The Wharf  
Neville Street  
Leeds  
LS1 4AZ  
Whatever Peugeot you drive, we guarantee you a competitive premium for your Motor Insurance. As a valued customer of Peugeot we'll make sure you get the very best premium quotation possible from Peugeot Insurance.

**Peugeot Assistance**  
For the first year of ownership you will automatically receive Peugeot Assistance cover for complete peace of mind. Additional Peugeot Assistance may be purchased for the second and third years. Operated by the RAC, it includes roadside assistance, vehicle recovery, free replacement vehicle or hotel accommodation and chauffeur provision in case of certain medical disabilities. Peugeot Assistance is available within the UK and Europe. Your local Peugeot Dealer has full details of terms and conditions.

In order to minimise the inconvenience associated with normal servicing, Peugeot UK Dealers promise to offer you the choice of:  
- while you wait servicing with a timed appointment;  
- or local vehicle collection from your home or place of work;  
- or alternative transport to the railway station, home or place of work;  
- or by arrangement, a hire car at a concessionary rate.

In addition they will undertake to ensure that your vehicle is washed before it is returned.

### Peugeot Peace of Mind

Peugeot vehicles are designed and manufactured to give you worry-free motoring and peace of mind. As a Peugeot owner you are entitled to a comprehensive range of customer care services from your Peugeot Dealer who has the expertise to maintain your Peugeot to its peak performance.

### Peugeot Warranties

**3 Years of Warranty:**  
In addition to the 2 years unlimited mileage manufacturer's Warranty, all vehicles first registered in the UK and purchased from a UK Peugeot Dealer benefit from a free optional additional 1 year of

**12 years Anti-Perforation and 3 Years Paint Warranty:**  
Also automatically transferable on sale of the vehicle, this will maintain and enhance the resale value of your car. (The Anti-Perforation Warranty is limited to 6 years and the Paint Warranty to 2 years on 206 Van, Partner, Expert and Boxer vans.)



**Rear boot mounted spoiler**  
Adds that sporty dimension to your car.



**Towbar**  
Engineered and tested to the highest standards. Available with single or double electrics.



**Roof bars**  
Suitable for all Saloon models, including the vehicles that are fitted with a sunroof. Capacity: 75kg



**Recaro child seat**  
(9 months to 12 years)  
This fully adjustable child seat by renowned seat manufacturer 'Recaro', features a strong, lightweight, aluminium tube frame chassis that can be fitted in the front\* or rear seats. It comes with machine washable covers to keep the seat in pristine condition. A whole range of accessories that further complement the seat and increase child comfort are also available.

\*This seat should only be fitted in the front seat if the passenger airbag has been deactivated.