

LAND CRUISER



Index

Introduction

Land Cruiser LC₂

Land Cruiser LC₃

Land Cruiser LC₄

Land Cruiser LC₅

Land Cruiser Interior

Technology

Land Cruiser Amazon

Safety

Accessories

Specifications



Land Cruiser

Discover the legend

The Toyota Land Cruiser has become a legendary name in the exciting world of 4X4 motoring. And it's easy to see why. For more than 50 years, it has been the name synonymous with technological innovation and the pursuit of excellence.

The Land Cruiser takes some beating. No other Sports Utility Vehicle in its class can match it for off-road performance, power, interior space, safety and technology – including a world-first feature. Offered with a choice of two powerful engines, the Land Cruiser is available in five- and three-door versions and with four grade levels.

The larger Land Cruiser Amazon is the supreme on- and off-roader, combining practicality, world-beating 'go-anywhere' power and technical innovation. Whether deep in the country or in the heart of the city, it always delivers what it promises – an unrivalled, versatile performance enhanced by the sophistication and comforts of a premium saloon.

Toyota Land Cruiser – the legend just keeps getting bigger.



Land Cruiser LC₂

Power wherever you need it

The Land Cruiser is tough, rugged and purposeful. It's built on a 'ladder-type' frame which, in both the powerful-looking five-door model and the compact three-door version, means greater strength and lightness for safer off-road performance.

The LC₂ is offered with a 3.0 litre D-4D common rail, turbo-diesel power unit that delivers outstanding torque for a smoother ride, excellent fuel economy and towing ability.

With its manual or automatic transmissions, permanent four-wheel drive, independent double-wishbone front suspension and rack-and-pinion steering, the LC₂ delivers assured control – on and off the road.

Standard specification on the LC₂ also includes advanced safety features such as ABS braking with Electronic Brake force Distribution (EBD), Brake Assist and eight airbags. Other features include manual air conditioning, electric exterior mirrors, power windows, integrated CD/radio featuring six speakers, 17-inch alloy wheels with locking wheelnuts and a leather-look soft spare wheel cover.

The Land Cruiser LC₂ – it has a lot going for it.

Power windows have an anti-jamming feature for safe operation.



Keep cool or warm with the advanced manual air conditioning system.



The LC₂ five-door can comfortably accommodate up to eight people.



Land Cruiser LC₃

Strong presence, strong performance

The Land Cruiser has evolved into one of the best examples of a practical off-roader that combines all the design, characteristics and equipment levels of a quality saloon. Wherever you want to go, it'll take you in comfort and style.

Its mature, powerful presence underlines its inherent off-road capabilities, evidenced by sophisticated full-time 4WD capability. With 'hi-low' transmission options and other technical advancements, it delivers outstanding stability and control – in all weathers and in all driving conditions.

In particular, Torsen limited slip differential provides great off-road control by 'intelligently' splitting the torque between the front and rear wheels, always favouring the wheels with most traction. The centre differential can also be locked providing a 50/50 torque split. In addition, the LC₃ model, like the LC₂, features a rear differential lock.

The Land Cruiser LC₃ is offered with a choice of two efficient, powerful engines and the option of four-speed electronically controlled automatic transmission (five door only). What's more, it comes with dual climate control air conditioning, advanced six-speaker CD/tuner unit, power adjustable and heated exterior mirrors – which also retract at the touch of a button for tight parking situations – front fog lamps, retractable headlamp washers and a metallic cover for the centre section of the spare wheel.

On or off the road, the Land Cruiser LC₃ is equipped for action.

Front fog lamps provide improved visibility in murky conditions.



Dual climate control air conditioning keeps the cabin at your preferred temperature.



There is no compromise on off-road performance with the three-door version.



Innovations deliver superior performance

When it comes to the Sports Utility Vehicle market, the Land Cruiser really is the car in front. Its world-beating off-road performance is matched by its unrivalled power, spaciousness, safety and technology.

The LC4 model typifies its supremacy. It is equipped with a world-first feature – Hill-start Assist Control (HAC). This fully automated system, available on models with automatic transmission, prevents the car from sliding backwards when starting on an uphill slippery slope. It complements the class-leading Downhill Assist Control (DAC), which controls the car on awkward descents, stopping it from 'running away'.

All LC4 models are fitted with Vehicle Stability Control (VSC) to help control understeer and oversteer, and Active-Traction Control (A-TRC) to prevent wheel-slip (A-TRC replaces the rear differential lock).

For comfort and convenience, the LC4 is equipped with electrically adjustable and heated front seats, leather seat facings, leather steering wheel and gearshift knob, plus an electric tilt-slide sunroof and Optitron instrumentation. To make long road journeys even more pleasurable, it comes with cruise control, an integrated radio/CD tuner with six-speaker output, Toyota's advanced, multi-feature turn by turn satellite navigation system with Electronic Traffic Avoidance and colour keyed spare wheel cover. The LC4 is also available with the no cost option of an underfloor-mounted spare wheel.

The Land Cruiser LC4 helps keep you out of trouble – wherever you explore.

The electric tilt/slide sunroof features a shade as well as anti-trap and key-off functions.



Clear and easy to read, the white Optitron instrumentation provides enhanced, at-a-glance visibility.



The Land Cruiser offers world-beating off-road performance.



Controlled and assured, the Land Cruiser can always cope, however rough the conditions.

The seven-inch EMV display screen offers a range of functions, including audio and air conditioning operation and DVD satellite navigation system.

Rear-seat passengers can adjust rear air flow.



Land Cruiser LC5

Top of the class

The Land Cruiser LC5 says it all. It has the power – a choice of the hi-tech 3.0 litre D-4D diesel engine with outstanding torque and the 4.0 litre VVT-i V6 petrol unit for powerful, efficient engine performance. It has the technology – ABS braking with EBD, Brake Assist, Vehicle Stability Control, Active-Traction Control, Downhill Assist Control*, Hill-start Assist Control* and centre differential with diff-lock. It also has TEMS, Toyota Electronically Modulated Suspension, which automatically adjusts shock absorber settings according to driving conditions.

Adding to all this technical excellence, it also has high levels of sophistication and quality. In addition to the impressive LC4 specification, it has dual climate control air conditioning with front and rear controls and a superb audio system, including radio, cassette player and six-disc CD autochanger, delivering outstanding sound quality through nine speakers. Drivers also benefit from the convenience of an advanced GPS DVD voice-navigation system with a multi-function, seven-inch colour display screen.

With Toyota's three-year/60,000 mile mechanical and paint warranty, plus a 12-year anti-corrosion guarantee, you can be assured that the Land Cruiser legend will live on.

**Automatic only*





Rear cup-holders are conveniently located for easy reach.

Land Cruiser Interior

In the comfort zone

The first things that strike you when you step inside a Land Cruiser are the sense of space and the sheer quality of your surroundings. You immediately feel comfortable and at home. The cabin is wide and long, giving you extra leg and shoulder room. So there's even more space to accommodate up to eight adults in the five-door versions and up to five in the three-door models.

Velour or leather seat facings, air conditioning and advanced noise insulation all ensure that every occupant enjoys a quiet, comfortable ride experience, complemented by the Land Cruiser's outstanding suspension and handling qualities.

For comfort, the front seats are multi-adjustable with lumbar support and, on the top two models, heated as well. The rear seats are multi-functional, giving you a wide variety of passenger and cargo configurations. The second row of seats offers a 60/40 split/fold capability while, on five-door versions, the third row has a 50/50 split/fold.

The Land Cruiser – absolute proof that comfort never has to be compromised in a 4WD.



Land Cruiser Interior

A controlled experience

Driving a 4WD is a different experience to everyday motoring. More than ever, you need to be in absolute control – and feel in control. Which is why the Land Cruiser has been designed throughout with the driver in mind, to give you extra reassurance and confidence.

It starts by making you a comfortable driver with the telescopic tilt adjustable steering column and multi-adjustable, ergonomically-designed driver's seat. And by placing all controls and instruments within easy reach and sight to minimise driver distraction – Optitron instruments on the top two Land Cruiser grades, for example, deliver outstanding clarity.

Leading the way in 4WD technology

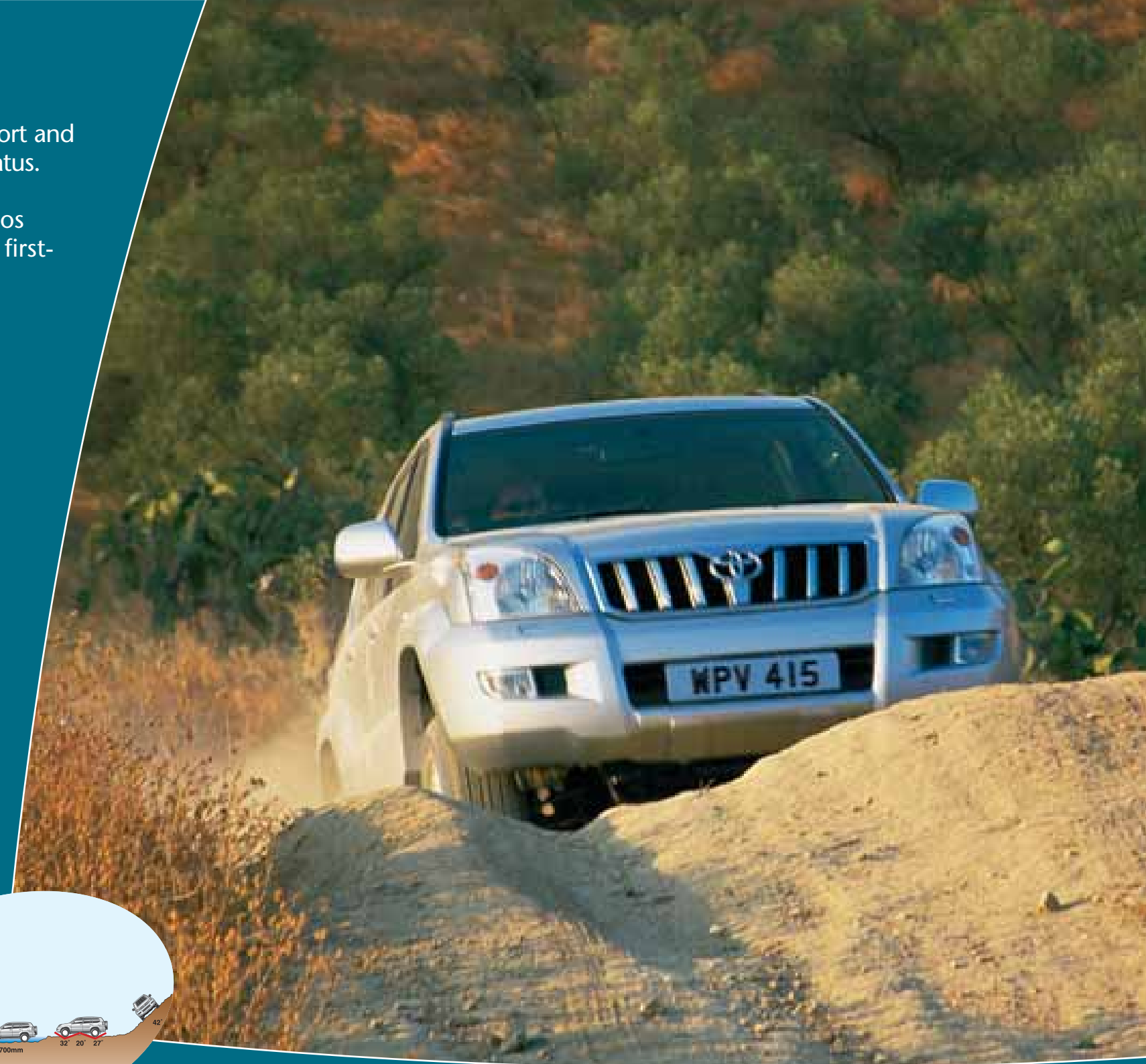
Sophisticated technology, particularly to aid vehicle control and improve ride comfort and safety, is at the heart of the Land Cruiser's appeal, and underlines its class-leading status.

With its permanent 4WD system, interchangeable 'hi-low' transfer gearbox ratios and 'intelligent' Torsen centre limited slip differential, the Land Cruiser delivers first-class traction on all surfaces. This ability is further enhanced by Active-Traction Control (A-TRC), which directs most power to the wheels with most traction (available on LC4 and LC5).

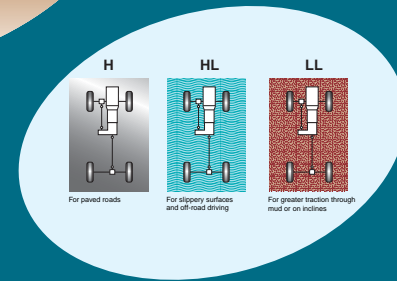
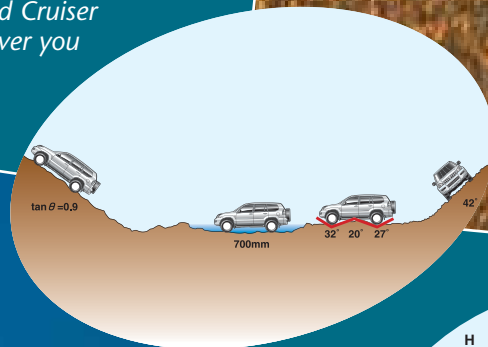
Off-road performance is made even more secure by the world-first Hill-start Assist Control (HAC), which automatically applies the brakes for a few seconds to prevent back-slip on hill-starting, and by Downhill Assist Control (DAC). Using wheel direction sensors, DAC slows the vehicle on downward slopes, stopping it from 'running away'.

Ride comfort, handling and stability are all improved by the Toyota Electronically Modulated Suspension (TEMS) which, by automatically adjusting shock absorber settings to suit driving conditions, controls body roll and provides better feedback for the driver. TEMS is integrated with a rear air suspension system featuring active body height adjustment with automatic levelling that provides a smoother ride whilst maintaining the body at a constant height, irrespective of passenger numbers and cargo load.

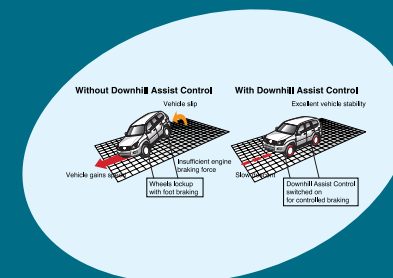
The Land Cruiser – technologically advanced for exceptional performance.



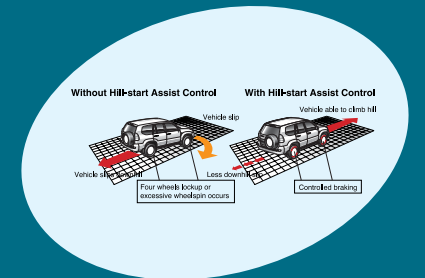
With its class-leading 4WD technology, the Land Cruiser can take you wherever you want to go.



Permanent 4WD directs power to all four wheels as needed – for maximum control.



Driver-operated Downhill Assist Control prevents the vehicle 'running away' on slippery slopes.



A world-first innovation, Hill-start Assist Control means no more back-sliding when starting on slippery inclines.



The best just gets better

The Land Cruiser Amazon, one of the most powerful off-roaders on the market, has been designed to offer even more luxury, more technology and more safety to help maintain its position as one of the most prestigious 4X4s available. The exterior conveys a strong road presence, reinforcing the Amazon's tough, dynamic image, while innovative technology and refinements deliver outstanding performance and sophistication.

There is a choice of two powerful engines. The mighty 4.7 litre V8 petrol unit is complemented by a five-speed electronically controlled automatic transmission, while the 4.2 litre turbo-diesel is offered with both manual and automatic transmission. While producing outstanding power, both engines deliver good fuel economy and low emissions. The diesel engine with five-speed electronically controlled automatic transmission, for example, can deliver 0 - 62 mph acceleration in just 11.5 seconds, yet still return 26.6 mpg on the combined cycle.

The petrol version is the first vehicle in the world to be fitted with Variable Gear Ratio Steering (VGRS), delivering improved handling and stability, as well as greatly enhanced steering feel.

With the Land Cruiser Amazon, refinement doesn't stop with technical innovation. Its impressive specification includes leather seat facings, 18" alloy wheels, climate control air conditioning, Electronic Multi-Vision (EMV system), DVD satellite navigation system with Bluetooth telephone interface, rear view monitor system and eight airbags.

The Land Cruiser Amazon – more of the best.

A valuable aid to reversing is the Amazon's innovative rear view monitor system. Once reverse gear is engaged, a wide-angle TV camera on the back door transmits the rearward view to the multi-display screen in front of the driver.



Whatever the terrain, the Land Cruiser Amazon takes it all in its stride, thanks to its advanced 4WD technologies.





Land Cruiser Amazon Interior

Comfortably in control

Supremely comfortable, spacious and quiet, the Land Cruiser Amazon's cabin cocoons you with its aura of luxury – from the leather seat facings to the pure sound quality of the sophisticated seven-speaker audio system with automatic volume control.

The interior has also been designed to put the driver at ease and in complete control. The driver's electrically adjustable and heated seat – with lumbar support – has a dual-setting memory function linked to the exterior mirrors and

steering wheel. The ergonomic design is further enhanced by steering-wheel-mounted audio controls and the Optitron instrumentation. Centrepiece of the main console is the Electronic Multi-Vision (EMV) system with its seven-inch, touch-sensitive, colour screen, displaying audio settings and selections, climate control air-conditioning operation, full mapping DVD-based navigation system, rear view monitor system and Bluetooth telephone interface operation.

Rear audio controls, rain sensitive windscreen wipers, electric tilt/slide sunroof, plus the premium quality of all interior materials add to the exceptional levels of comfort and convenience that make the Land Cruiser Amazon so desirable. The Land Cruiser Amazon – for those who enjoy their creature comforts as well as the great outdoors.

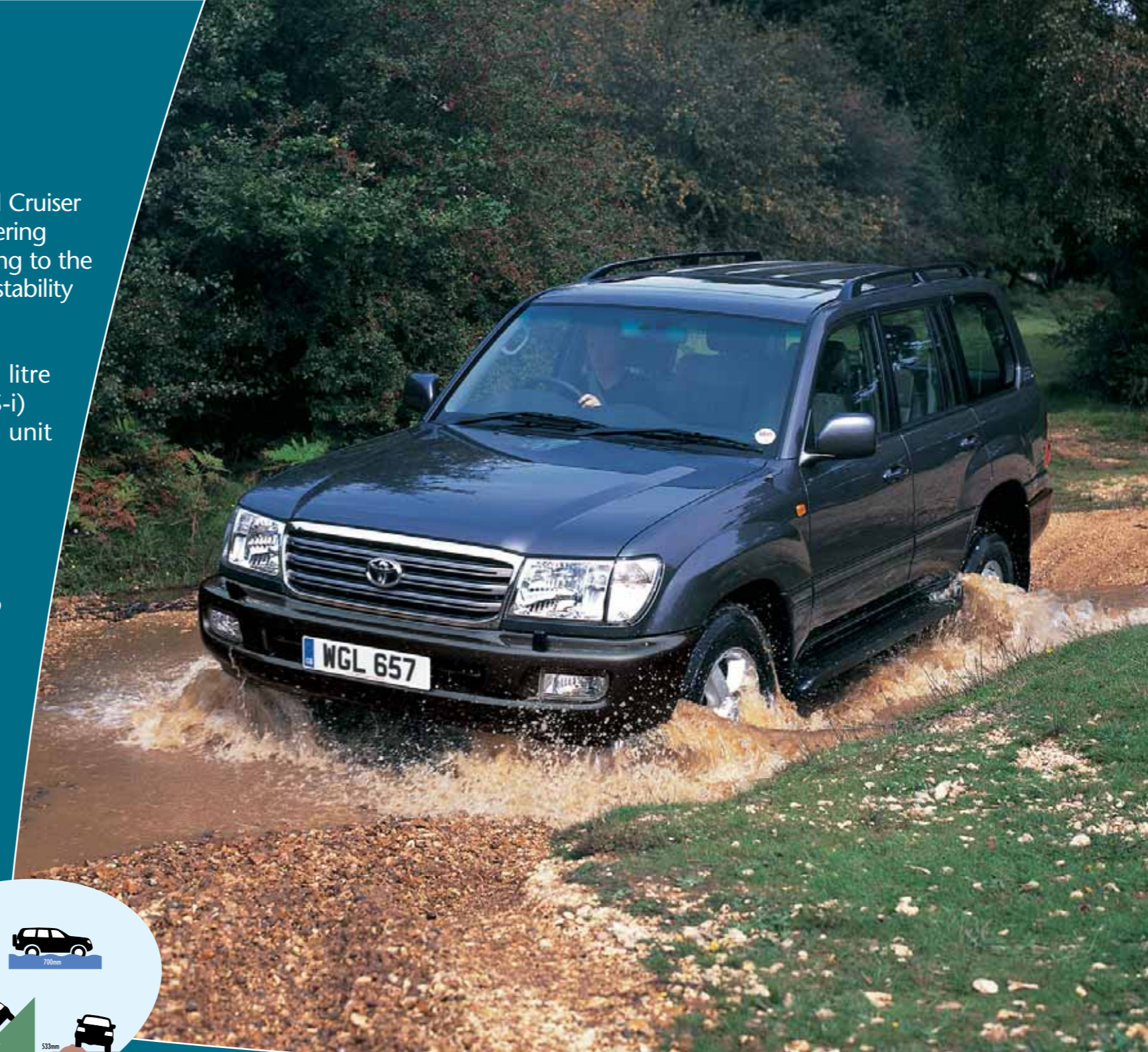
Technology with a purpose

In keeping with its reputation for engineering excellence, the permanent 4WD Land Cruiser Amazon is the first vehicle in the world to be equipped with Variable Gear Ratio Steering (VGRS) (petrol only). This automated system adjusts the steering gear ratios according to the vehicle's speed and the driver's steering effort. The result is improved handling and stability at all speeds, as well as increased safety in the event of sudden braking and veering.

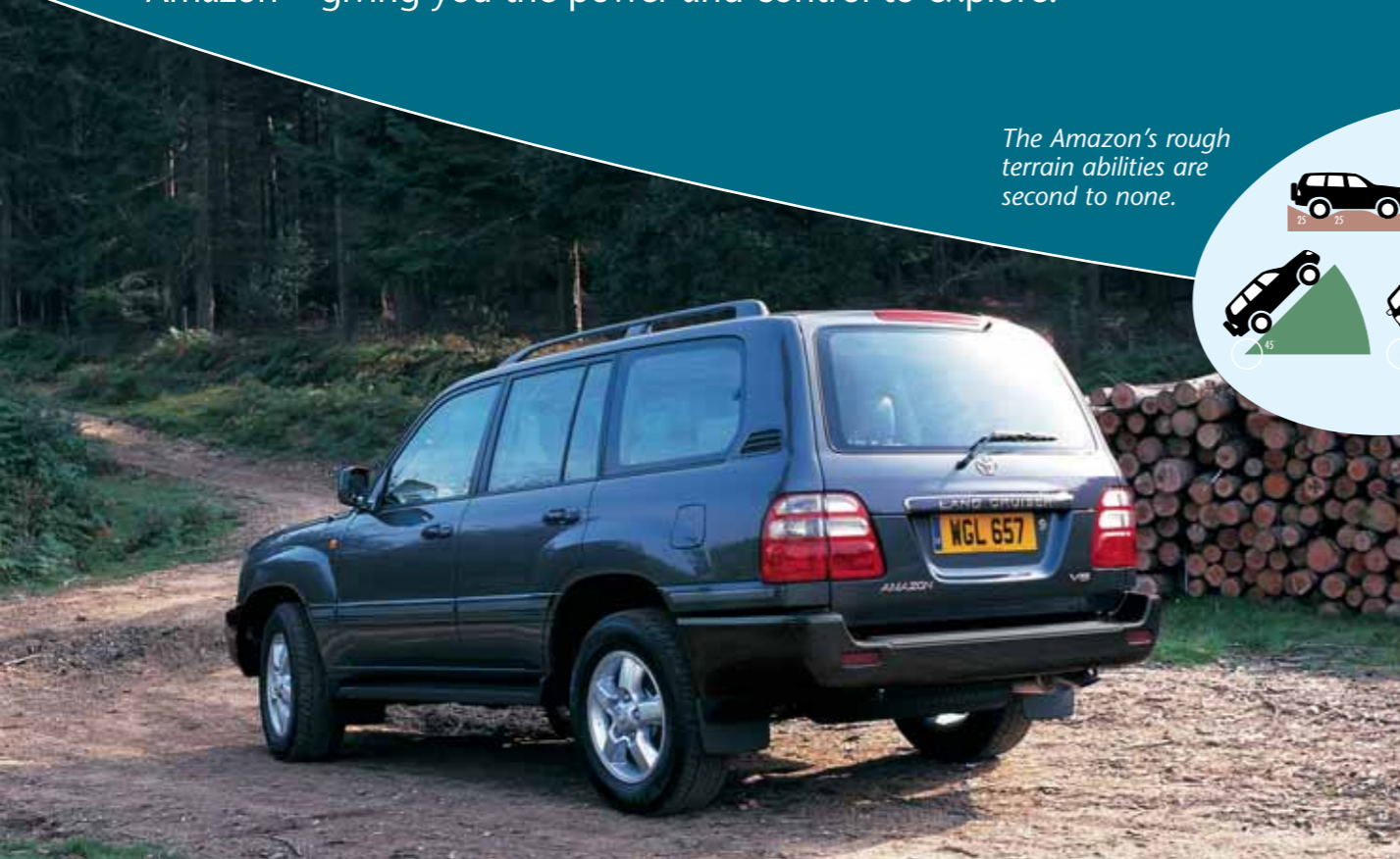
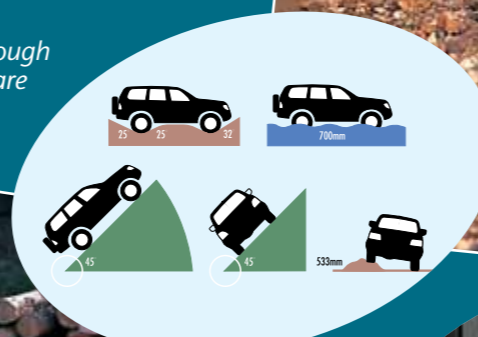
The Amazon's two engines are not just powerful, they're efficient, too. The 4.7 litre petrol engine features an Electronic Throttle Control System – intelligent (ETCS-i) that delivers a smooth, responsive performance, while the 4.2 litre turbo-diesel unit has an electronically controlled injection pump and intercooler.

Toyota Electronically Modulated Suspension (TEMS), an automated system that adjusts shock absorber settings and vehicle height for improved ride comfort, handling and stability, is fitted to all Amazons, as is Active Height Control, a self-levelling active height suspension. Centre (and rear on diesel) differential locks to help prevent the wheels spinning in soft-ground conditions are also standard.

Moreover, the petrol-engine Amazons have the benefit of Traction Control (TRC) for even more effective wheel-spin control. They also feature Vehicle Stability Control (VSC) which counters understeer and oversteer by automatically controlling engine output and braking. The Land Cruiser Amazon – giving you the power and control to explore.



The Amazon's rough terrain abilities are second to none.



The rear differential lock provides power to where it's most needed in extreme off-road conditions (diesel only).



The 4.2 litre turbo-diesel engine, with electronically controlled injection pump and intercooler, provides superb all-round performance and fuel efficiency.



The mighty 4.7 litre V8 petrol engine, featuring an intelligent throttle control system, delivers a powerful but quiet performance.

Safety matters

Safety is a prime consideration with all Toyota vehicles. The Land Cruiser and Land Cruiser Amazon are perfect examples.

Through the use of high-strength, tensile steel, the bodies are supremely strong and rigid to absorb impact energy.

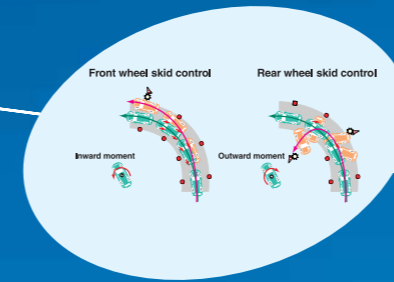
Advanced seatbelt technology, with pre-tensioners and force limiters, is complemented by the comprehensive SRS airbag protection system. Two-stage front airbags are supplemented by side airbags and by front and second row curtain shield airbags. The Amazon also has a rollover-sensing curtain airbag protection feature.

Primary safety features include ABS braking with EBD (Electronic Brake force Distribution) and, depending on model, Brake Assist, Vehicle Stability Control, Traction Control, Hill-start Assist Control and Downhill Assist Control – everything, in fact, to make the Toyota 4WD experience safe and more enjoyable.

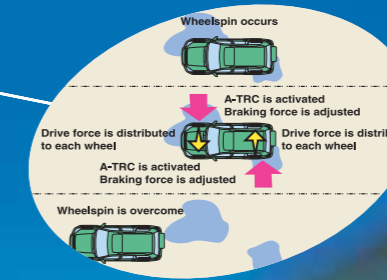
For even greater peace of mind, every Land Cruiser and Land Cruiser Amazon comes with engine immobiliser, alarm, remote central double locking, window etching, parts marking and locking wheelnuts.

Toyota safety systems – protecting you, your family and your Land Cruiser.

To counter oversteer and understeer, Vehicle Stability Control detects grip loss and controls braking and engine output accordingly.



Active Traction Control automatically manages engine output when wheels spin, delivering optimum control.



Together with dual two-stage front airbags, side and curtain airbags afford maximum occupant protection.





Land Cruiser

Drive Plans from Toyota Financial Services

We want to make acquiring and maintaining your Land Cruiser as easy as driving one. Our range of Toyota Drive Plans have been designed specifically with this in mind, to offer you a choice of affordable ways to finance, service and maintain your new car. Above all our plans offer flexibility, easy budgeting and peace of mind and can be arranged as a one-stop-shop when you select your Land Cruiser.

As part of the Drive Plans range we have developed four customised schemes, based on specific customer requirements. These Drive Plans are:

Easy Start

With Easy Start finding a large deposit is not an issue. Just the equivalent of one monthly payment in advance is all that is needed to drive away in a Land Cruiser. This simple and innovative plan, based on our popular PCP Drive Plan, is ideal for younger customers or families on a tight budget.

Easy Drive

Easy Drive is a comprehensive finance package, with one monthly payment taking care of most of your motoring needs for 2 or 3 years. The plan includes the cost of a Land Cruiser on a PCP Drive Plan, an Easy Care servicing plan covering routine major and intermediate services and extended membership of Club Toyota. As a further option you can also include the cost of car insurance from Toyota Insurance in your monthly payment.

Easy Care

For those who value the peace of mind of a pre-paid servicing package we can offer Toyota Easy Care. The plan ensures that your Land Cruiser will receive the very best maintenance and servicing. Easy Care covers routine major services (including routine servicing, parts and labour) and intermediate oil and filter services.

Business Drive

Business Drive offers the security of a fully maintained Contract Hire package, ideally suited for VAT registered businesses. The package offers a host of benefits including reduced capital outlay, all-inclusive monthly rentals and no depreciation, disposal or administration problems.

Flexible Finance

However, Drive Plans are about more than just these four schemes. Whatever your needs, Toyota has a full range of finance options to offer you. Whether you're a private motorist or a business customer, just discuss your individual requirements with your Toyota Centre, who will be pleased to help you choose a Drive Plan to suit you.

Typical Example

PCP Drive Plan – Land Cruiser LC2 3.0 D-4D 3dr

On the road cash price	£24,308.00
Deposit/Initial payment	£4,884.25
35 Monthly payments	£399.00
Guaranteed Future Value/ Final Payment	£11,002.50
Total amount payable*	£29,891.75
APR	12.8%

Based on PCP Drive Plan with a mileage limit of 30,000 miles over the period of the agreement. Excess mileage charged at 15.2p (inc VAT) per mile.

*Includes £90 Acceptance Fee (payable in first payment) and £40 Option to Purchase Fee (payable with final payment).

Licensed credit broker. Written quotations on request from Toyota Financial Services, Great Burgh, Burgh Heath, Epsom, Surrey KT18 5UX. All finance subject to status to over 18's only. Indemnities may be required. Prices correct at time of going to press and include VAT, delivery charge, number plates, one years road fund licence and £38 first registration fee.

Land Cruiser Accessories

Add individual style

Whether you want to add a stylish individual touch with a set of dynamic alloy wheels, further increase its convenience with advanced features such as satellite navigation or tailor it to fit into your hectic lifestyle, the Land Cruiser is available with a range of quality accessories designed specifically for your car.

Audio

6-disc CD autochanger & fitting kit – except LC₅
Active subwoofer & fitting kit – 120w (81dB)

Body exterior

Bumper corner protectors – compatible with parking corner sensors, black (can be painted)
Front guard – black PU-shell type guard with ABS, light grey under engine cover (can be painted)
Side steps, aluminium – 3 & 5 door LC₂ only
Side steps, black – 3 & 5 door LC₂ only

Convenience

Cool/hot box – 25 litres cooling/heating volume – can be divided into 14 litres cooling/heating volume and 11 litres storage space
Parking corner 2-sensor system – (max. sensing distance approx. 600 mm from corner of rear bumper)
Satellite navigation system (TNS200) – LC₂, LC₃
Satellite navigation system with Electronic Traffic Avoidance (TNS200 & ETA) – LC₂, LC₃ (factory option)
CD Roms required for navigation system – France, Germany, Belgium/Netherlands/ Luxembourg, Switzerland/Austria/Northern Italy, Denmark/Sweden and UK Mainland – LC₂, LC₃, LC₄
Toyota Hands-Free (THF) mobile phone kits
Wind deflector – (front set, dark transparent)

Interior trim

Carpet mats – tailored velour set of 4 (2 front & 2 rear) anthracite or beige
Scuff plates – front pair to protect front door sills
Shift knob – wood/leather, set of 2 - manual only

Lights

Fog lamps – front pair, integrates into bumper – LC₂
Headlamp beam converters – (please ask your Toyota Centre for outline details)

Load space

Boot liner – tailored, tough plastic, compatible with vertical & horizontal cargo nets, In-room bike holder and cool/hot box
Cargo net, horizontal – keeps large items secure, compatible with boot liner and vertical cargo net, but not 3rd row seats
Cargo net, vertical – keeps small items upright/secure, compatible with boot liner, Horizontal cargo net, cool/hot box, 3rd row seats
Dog guard
In-room bicycle holder – compatible with cool/hot box and boot liner, fixes onto vehicle floor using existing seat anchorage points, two can be fitted – 5 door only

Locks

Tracker retrieve system

Roof

Cross bars – anodised aluminium and black end cap, set of 2, max load 60 kg incl. cross bars – LC₃, LC₄, LC₅
Roof rack* – (front and middle rack) – LC₂ only

Roof rack* – (rear rack only) to transport long items in conjunction with front roof bar – LC₂ only

*Max. load 80 kg including roof rack

The following accessories can only be fitted with the cross bars or roof rack:

Bicycle holder – (quick attachment, holds one bicycle, two holders can be fitted, up to 55mm wheel diam., max load 15kg)

Bicycle holder – (universal, holds one bicycle, two holders can be fitted, up to 55mm wheel diam., max load 15kg)

Lockable knob – (for universal bike holder)

Luggage box – (380 litres, outer dimensions 150cm x 90cm x 35cm, 15kg weight)

Luggage platform 100cm x 110cm – (one can be fitted)

Sailboard and mast holder – (one can be fitted)

Ski holder – (horizontal, one can be fitted holds 1 snowboard & 4 prs downhill or 5 prs cross-country skis)

Ski holder – (vertical, one can be fitted, holds 1 snowboard & 3 prs downhill or 5 prs cross-country skis)

Safety

Child seat & Isofix* base assembly (G1) 9 months - 4 years (9-18 kg)

Child seat, (G2) 4 years - 6 years (15-25kg)

* Isofix child seats are specifically tailor-made for Toyota

Towing

Flanged tow bar (fixed height, non-detachable) max towing capacity 2800 kg, nose weight 100 kg

Fixed tow bar – max towing capacity 2800 kg, nose weight 100 kg

12N Multiblock tow bar wiring

12S Caravan services – (please state age of caravan)

Rear bicycle holder & rear lamp set – holds 2 bikes (must be fitted with tow bar) not compatible with rear parking sensors, 3rd bike extension set can be fitted

Ventilation

Clean air replacement filter – (it is recommended that the filter is replaced annually to maintain clean air filter performance)

Wheels

Spare wheel cover – (lockable, ABS, light or dark grey with Land Cruiser logo, fits with rear bicycle holder)

Spare wheel cover – (stainless steel rim/dark grey ABS cover, Land Cruiser logo 225/70 tyres) fits with rear bicycle holder – LC₂

Spare wheel cover – (stainless steel rim/dark grey ABS cover, Land Cruiser logo 265/65 tyres) not suitable for Michelin tyres, fits with rear bicycle holder – LC₃, LC₄, LC₅

The above accessories are applicable to all Land Cruiser models unless otherwise stated.

The Land Cruiser – opposite – is fitted with scuff plates, spare wheel cover (stainless steel), aluminium side steps and roof rack.



Land Cruiser Amazon Accessories

Make a personal statement

The Land Cruiser Amazon is the ultimate go-anywhere vehicle. The comprehensive range of bespoke accessories available allow you to customise its looks, practicality and performance to perfectly complement your lifestyle whilst ensuring Toyota's trademark quality and style.

Audio

Active subwoofer & fitting kit – 120w (81dB)
Sony replacement rear headphone set

Body exterior

Front guard – (wrap around) (PU RIM SS-plate on centre bar with Land Cruiser logo, black, can be painted)
Stainless steel exhaust trim – (not compatible with tow bar)
Fender protectors – (black, set 4, can be painted, to protect wheel arches)

Convenience

Cool / hot box – (25 litres cooling / heating volume – can be divided into 14 litres cooling / heating volume and 11 litres storage space)
Parking corner 2-sensor system – (Max sensing distance approx 600 mm from corner of rear bumper)
Toyota hands free (THF) – mobile phone kits
Wind deflector – (front and rear set, dark transparent)

Interior trim

Carpets – front & second row and boot, anthracite or beige, tailored velour

Lights

Headlamp beam converters – (please ask your Toyota Centre for outline details)
Headlamp protectors (perspex, to protect against small stones & debris)

Loadspace

Boot liner – tailored, tough plastic, compatible with vertical & horizontal cargo nets & In-room bike holder
Cargo net – horizontal, keeps large items secure
Cargo net – vertical, keeps small items upright/secure
Dog guard
In-room bicycle holder – compatible with cool/hot box and boot liner fixes onto vehicle floor using existing seat anchorage points, one can be fitted)

Locks

Tracker retrieve system

Roof

Cross bars – set of 2, max. load 100kg including bars
The following accessories can only be fitted with the above cross bars:

Bicycle holder – (quick attachment, holds one bicycle, two can be fitted, up to 55mm wheel diam., max load 15kg)
Bicycle holder – (universal, holds one bicycle, two can be fitted, up to 55mm wheel diam., max load 15kg)
Lockable knob – (for universal bike holder)
Luggage box – (capacity 380 litres, outer dimensions 150cm x 90cm x 35cm, 15kg weight)
Luggage platform 100cm x 110cm – (one can be fitted)
Sailboard and mast holder – (one can be fitted)
Ski holder – (horizontal, one can be fitted holds 1 snowboard & 4 prs downhill or 5 prs cross-country skis)
Ski holder – (vertical, one can be fitted, holds 1 snowboard & 3 prs downhill or 5 prs cross-country skis)

Safety

Child seat & Isofix* base assembly (G1)
9 months - 4 years (9-18 kg)
Child seat (G2) 4 years - 6 years (15-25kg)
* The child seats are specifically tailor-made for Toyota

Towing

Tow bar – (3 position detachable ball) max towing weight 3500kgs, nose weight 140kgs, max gross weight 2960kgs
Ball & hitch *
Tow ball *
12N Multiblock tow bar wiring
12S Caravan services – (please state age of caravan)
* Tow ball or ball & hitch required with tow bar

Wheels

Locking wheel nuts – (replacement for original wheels)

Above accessories applicable to all Amazon models

The Land Cruiser Amazon – opposite – is fitted with a cool/hot box, cross bars, luggage box, tow bar and boot liner.



Land Cruiser

Colours & Trims

(Metallic paint is available as a cost option on Land Cruiser and Land Cruiser Amazon).
Models shown below are LC₃ (LC₂ models feature dark grey front and rear bumpers).



056 Arctic White *Yosemite velour (LC₂ & LC₃) • Yukon leather (LC₄ & LC₅)
Katmai Grey full leather (option on LC₂ & LC₃)*



202 Astral Black *Yosemite velour (LC₂ & LC₃) • Yukon leather (LC₄ & LC₅)
Katmai Grey full leather (option on LC₂ & LC₃)*



3Q8 Ember Red (m) *Redwood velour (LC₂ & LC₃) • Sequoia leather (LC₄ & LC₅)
Denali Beige full leather (option on LC₂ & LC₃)*



6Q7 Ashdown Green (m) *Redwood velour (LC₂ & LC₃) • Sequoia leather (LC₄ & LC₅)
Denali Beige full leather (option on LC₂ & LC₃)*



8R4 Navy Blue (m) *Yosemite velour & (LC₂ & LC₃) • Yukon leather (LC₄ & LC₅)
Katmai Grey full leather (option on LC₂ & LC₃)*



587 Orb Gold (m) *Yosemite velour (LC₂ & LC₃) • Yukon leather (LC₄ & LC₅)
Katmai Grey full leather (option on LC₂ & LC₃)*



1E9 Graphite Grey (m) *Yosemite velour (LC₂ & LC₃) • Yukon leather (LC₄ & LC₅)
Katmai Grey full leather (option on LC₂ & LC₃)*



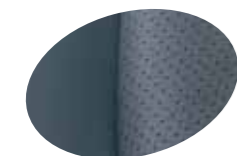
1D4 Argenta (m) *Yosemite velour (LC₂ & LC₃) • Yukon leather (LC₄ & LC₅)
Katmai Grey full leather (option on LC₂ & LC₃)*



Yosemite velour



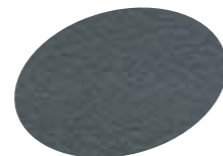
Redwood velour



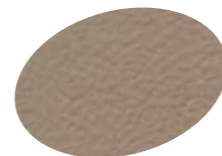
Yukon leather



Sequoia leather



Katmai Grey full leather
(option on LC₂ & LC₃)



Denali Beige full leather
(option on LC₂ & LC₃)



056 Arctic White *Granite leather*



202 Astral Black *Granite Leather*



1B1 Silver Pearl (m) *Granite leather*



3Q2 Rioja Red (m) *Sand Storm leather*



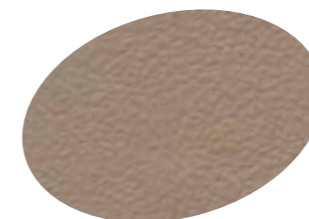
6Q7 Ashdown Green (m) *Sand Storm leather*



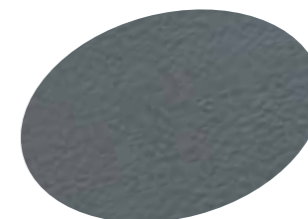
8L4 Stellar Blue (m) *Granite leather*



1E9 Graphite Grey (m) *Granite leather*



Sand Storm Leather

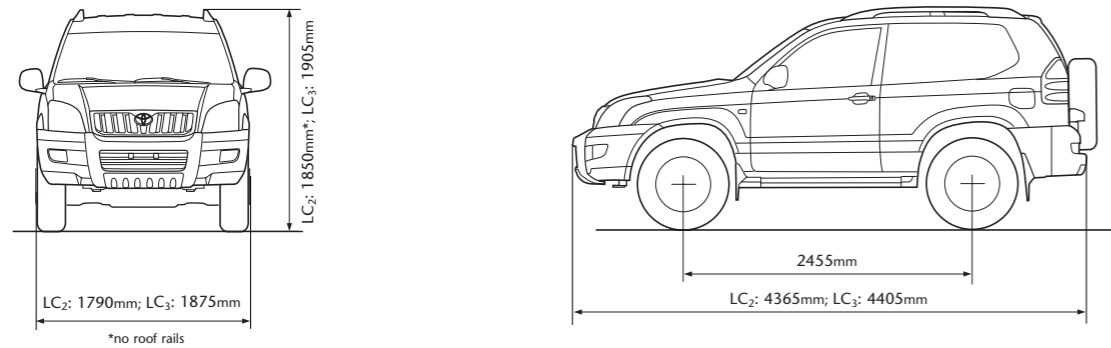


Granite Leather

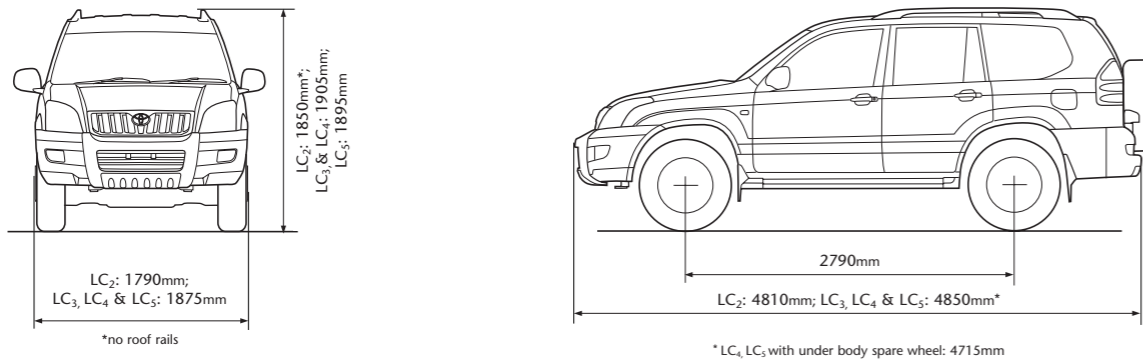
(m) – metallic paint

Specifications

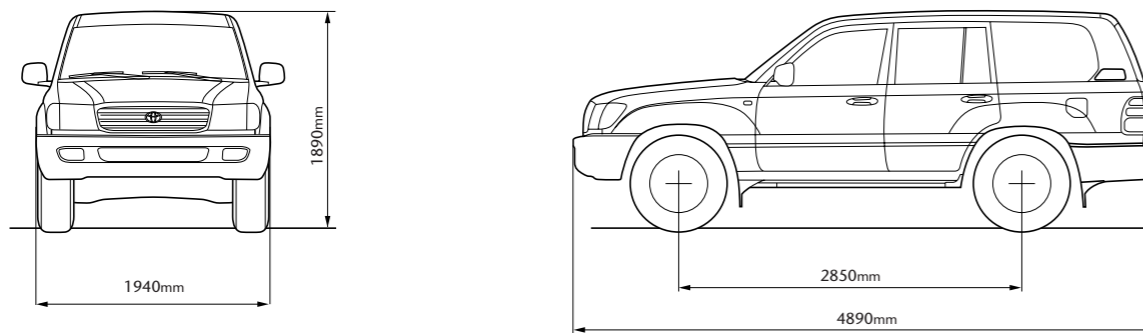
Land Cruiser – 3 door



Land Cruiser – 5 door



Land Cruiser Amazon – 5 door*



Dimensions

Land Cruiser	Interior length (max)	Interior width (max)	Interior height (max)	Cargo area length (max)	Cargo area width (max)	Cargo area height (max)
LC ₂ /LC ₃	1805mm	1535mm	1260mm	1145mm	1430mm	1095mm
LC ₂ /LC ₃	2520mm	1535mm	1260mm	1585mm	1460mm	1120mm
LC ₄ /LC ₅	2520mm	1535mm	1220mm	1585mm	1460mm	1120mm
Amazon	2505mm	1620mm	1150mm	1725mm	1594mm	1069mm

Physical Capabilities

Land Cruiser	Min. ground clearance	Min. turning radius (tyre)	Angle of approach	Angle of departure	Ramp over angle	Fuel tank capacity
LC ₂ 3 door 3.0 D-4D manual	207mm	5.2m	31°	29°	24°	87ℓ
LC ₂ 5 door 3.0 D-4D manual	207mm	5.7m	31°	26°	20°	87ℓ
LC ₂ 5 door 3.0 D-4D automatic	207mm	5.7m	31°	26°	20°	87ℓ
LC ₃ 3 door 3.0 D-4D manual	222mm	5.2m	32°	30°	24°	87ℓ
LC ₃ 5 door 3.0 D-4D manual	222mm	5.7m	32°	27°	20°	87ℓ
LC ₃ 5 door 3.0 D-4D automatic	222mm	5.7m	32°	27°	20°	87ℓ
LC ₃ 5 door 4.0 VVT-i V6 automatic	222mm	5.7m	32°	27°	20°	87ℓ
LC ₄ 5 door 3.0 D-4D manual	222mm	5.7m	32°	27°	20°	87ℓ
LC ₄ 5 door 3.0 D-4D automatic	222mm	5.7m	32°	27°	20°	87ℓ
LC ₄ 5 door 4.0 VVT-i V6 automatic	222mm	5.7m	32°	27°	20°	87ℓ
LC ₅ 5 door 3.0 D-4D manual	222mm	5.7m	32°	27°	20°	87ℓ
LC ₅ 5 door 3.0 D-4D automatic	222mm	5.7m	32°	27°	20°	87ℓ
LC ₅ 5 door 4.0 VVT-i V6 automatic	222mm	5.7m	32°	27°	20°	87ℓ
Amazon 5 door 4.2 TD manual	256mm	5.9m	34°	23°	24°	96ℓ
Amazon 5 door 4.2 TD automatic	256mm	5.9m	34°	23°	24°	96ℓ
Amazon 5 door 4.7i V8 automatic	256mm	5.9m	34°	23°	24°	96ℓ

Weights & Cargo

Land Cruiser	Total kerb weight (min)	Total kerb weight (max)	Gross vehicle weight – total	Axle capacity front	Axle capacity rear	Towing capacity (braked)
LC ₂ 3 door 3.0 D-4D manual	1840kg	2010kg	2600kg	1290kg	1800kg	2800kg
LC ₂ 5 door 3.0 D-4D manual	1980kg	2170kg	2850kg	1290kg	1800kg	2800kg
LC ₂ 5 door 3.0 D-4D automatic	1990kg	2180kg	2850kg	1290kg	1800kg	2800kg
LC ₃ 3 door 3.0 D-4D manual	1840kg	2010kg	2600kg	1290kg	1800kg	2800kg
LC ₃ 5 door 3.0 D-4D manual	1980kg	2170kg	2850kg	1290kg	1800kg	2800kg
LC ₃ 5 door 3.0 D-4D automatic	1990kg	2180kg	2850kg	1290kg	1800kg	2800kg
LC ₃ 5 door 4.0 VVT-i V6 automatic	1900kg	2070kg	2850kg	1290kg	1800kg	2800kg
LC ₄ 5 door 3.0 D-4D manual	1980kg	2170kg	2850kg	1290kg	1800kg	2800kg
LC ₄ 5 door 3.0 D-4D automatic	1990kg	2180kg	2850kg	1290kg	1800kg	2800kg
LC ₄ 5 door 4.0 VVT-i V6 automatic	1900kg	2070kg	2850kg	1290kg	1800kg	2800kg
LC ₅ 5 door 3.0 D-4D manual	1980kg	2170kg	2850kg	1290kg	1800kg	2800kg
LC ₅ 5 door 3.0 D-4D automatic	1990kg	2180kg	2850kg	1290kg	1800kg	2800kg
LC ₅ 5 door 4.0 VVT-i V6 automatic	1900kg	2070kg	2850kg	1290kg	1800kg	2800kg
Amazon 5 door 4.2 TD manual	2495kg	2640kg	3260kg	1630kg	1950kg	3500kg
Amazon 5 door 4.2 TD automatic	2510kg	2660kg	3260kg	1630kg	1950kg	3500kg
Amazon 5 door 4.7i V8 automatic	2320kg	2525kg	3260kg	1630kg	1950kg	3500kg

Performance & Economy

Land Cruiser	Maximum speed*	Acceleration 0-62 mph	Fuel economy urban mpg (ℓ/100km)	Fuel economy extra urban mpg (ℓ/100km)	Fuel economy combined mpg (ℓ/100km)	CO ₂ emissions
LC ₂ 3 door 3.0 D-4D manual	103mph	12.7secs	24.6 (11.5)	34.9 (8.1)	30.1 (9.4)	250g/km
LC ₂ 5 door 3.0 D-4D manual	103mph	12.7secs	24.4 (11.6)	34.4 (8.2)	29.7 (9.5)	253g/km
LC ₂ 5 door 3.0 D-4D automatic	106mph	12.8secs	21.6 (13.1)	32.5 (8.7)	27.2 (10.4)	277g/km
LC ₃ 3 door 3.0 D-4D manual	103mph	12.7secs	24.6 (11.5)	34.9 (8.1)	30.1 (9.4)	250g/km
LC ₃ 5 door 3.0 D-4D manual	103mph	12.7secs	24.4 (11.6)	34.4 (8.2)	29.7 (9.5)	253g/km
LC ₃ 5 door 3.0 D-4D automatic	106mph	12.8secs	21.6 (13.1)	32.5 (8.7)	27.2 (10.4)	277g/km
LC ₃ 5 door 4.0 VVT-i V6 automatic	109mph	9.5secs	15.5 (18.2)	26.2 (10.8)	20.9 (13.5)	320g/km
LC ₄ 5 door 3.0 D-4D manual	103mph	12.7secs	24.4 (11.6)	34.4 (8.2)	29.7 (9.5)	253g/km
LC ₄ 5 door 3.0 D-4D automatic	106mph	12.8secs	21.6 (13.1)	32.5 (8.7)	27.2 (10.4)	277g/km
LC ₄ 5 door 4.0 VVT-i V6 automatic	109mph	9.5secs	15.5 (18.2)	26.2 (10.8)	20.9 (13.5)	320g/km
LC ₅ 5 door 3.0 D-4D manual	103mph	12.7secs	24.4 (11.6)	34.4 (8.2)	29.7 (9.5)	253g/km
LC ₅ 5 door 3.0 D-4D automatic	106mph	12.8secs	21.6 (13.1)	32.5 (8.7)	27.2 (10.4)	277g/km
LC ₅ 5 door 4.0 VVT-i V6 automatic	109mph	9.5secs	15.5 (18.2)	26.2 (10.8)	20.9 (13.5)	320g/km
Amazon 5 door 4.2 TD manual	106mph	13.6secs	20.0 (14.1)	30.4 (9.3)	25.4 (11.1)	292g/km
Amazon 5 door 4.2 TD automatic	112mph	11.5secs	21.1 (13.4)	31.4 (9.0)	26.6 (10.6)	282g/km
Amazon 5 door 4.7i V8 automatic	112mph	11.2secs	13.1 (21.5)	21.1 (13.4)	17.3 (16.3)	387g/km

*manufacturer's figures

Equipment

Engine

Land Cruiser Model	3.0 D-4D LC ₂ , LC ₃ , LC ₄ , LC ₅	4.0 VVT-i V6 LC ₃ , LC ₄ , LC ₅	4.2 TD Amazon	4.7i V8 Amazon
Number of cylinders	4	6	6	8
Number of valves per cylinder	4	4	4	4
Cylinder arrangement	in-line	V-type	in-line	V-type
Valve mechanism	DOHC	DOHC	OHC	DOHC
Bore x Stroke	96mm x 103mm	94mm x 95mm	94mm x 100mm	94mm x 84mm
Displacement	2982cc	3956cc	4164cc	4664cc
Compression ratio	18.4 : 1	10.0 : 1	18.5 : 1	9.6 : 1
Maximum output (kW/bhp/rpm)	120/161/3400	183/245/5200	150/201/3400	175/235/4800
Maximum torque (Nm/rpm)	343/1600-3200	382/3800	430/1400-3200	434/3400
Battery	130 amps/hr	65amps/hr	110amps/hr	110amps/hr
Alternator output	1200 watts/100 amps	960 watts/80 amps	1440watts/120amps	960 watts/80 amps

Chassis

Land Cruiser		Brake type front	Brake type rear	Suspension type front	Suspension type rear	Wheel size	
LC ₂	3 door	3.0 D-4D manual	Ventilated disc	Ventilated disc	Double wishbone, coil spring	4-Link w. coil spring	225/70 R17
LC ₂	5 door	3.0 D-4D manual	Ventilated disc	Ventilated disc	Double wishbone, coil spring	4-Link w. coil spring	225/70 R17
		3.0 D-4D automatic	Ventilated disc	Ventilated disc	Double wishbone, coil spring	4-Link w. coil spring	225/70 R17
LC ₃	3 door	3.0 D-4D manual	Ventilated disc	Ventilated disc	Double wishbone, coil spring	4-Link w. coil spring	265/65 R17
LC ₃	5 door	3.0 D-4D manual	Ventilated disc	Ventilated disc	Double wishbone, coil spring	4-Link w. coil spring	265/65 R17
		3.0 D-4D automatic	Ventilated disc	Ventilated disc	Double wishbone, coil spring	4-Link w. coil spring	265/65 R17
		4.0 VVT-i V6 automatic	Ventilated disc	Ventilated disc	Double wishbone, coil spring	4-Link w. coil spring	265/65 R17
LC ₄	5 door	3.0 D-4D manual	Ventilated disc	Ventilated disc	Double wishbone, coil spring	4-Link w. coil spring	265/65 R17
		3.0 D-4D automatic	Ventilated disc	Ventilated disc	Double wishbone, coil spring	4-Link w. coil spring	265/65 R17
		4.0 VVT-i V6 automatic	Ventilated disc	Ventilated disc	Double wishbone, coil spring	4-Link w. coil spring	265/65 R17
LC ₅	5 door	3.0 D-4D manual	Ventilated disc	Ventilated disc	Double wishbone, coil spring & TEMS	4-Link w. air spring & TEMS	265/65 R17
		3.0 D-4D automatic	Ventilated disc	Ventilated disc	Double wishbone, coil spring & TEMS	4-Link w. air spring & TEMS	265/65 R17
		4.0 VVT-i V6 automatic	Ventilated disc	Ventilated disc	Double wishbone, coil spring & TEMS	4-Link w. air spring & TEMS	265/65 R17
Amazon	5 door	4.2 TD manual	Ventilated disc	Ventilated disc	Double wishbone, torsion bar*	4-Link w. coil spring*	275/60 R18
		4.2 TD automatic	Ventilated disc	Ventilated disc	Double wishbone, torsion bar*	4-Link w. coil spring*	275/60 R18
		4.7i V8 automatic	Ventilated disc	Ventilated disc	Double wishbone, torsion bar*	4-Link w. coil spring*	275/60 R18

* With AHC & TEMS



Land Cruiser LC₂ Land Cruiser LC₃ Land Cruiser LC₄ Land Cruiser LC₅ Land Cruiser Amazon

Audio

Audio, integrated unique fit with Liquid Crystal Display	●	●	●	●	●
AM/FM radio with preset settings	●	●	●	●	●
RDS with PTY and EON settings	●	●	●	●	●
Cassette player	-	-	-	●	●
CD player, single disc	●	●	●	-	-
CD autochanger, glovebox mounted	-	-	-	●	-
CD autochanger, centre console mounted	-	-	-	-	●
Speakers – 6	●	●	●	-	-
Speakers – 7	-	-	-	-	●
Speakers – 9	-	-	-	●	-
Audio controls, steering wheel mounted	●	-	-	-	-
Radio aerial, glass integrated	-	●	●	●	-
Radio aerial, wing mounted, electric	-	-	-	-	●
CD compatibility	●	●	●	●	●
Rear seat, independent audio controls	-	-	-	-	●

Body Exterior

Side protection moulding, painted	-	-	-	-	●
Door handles and mirrors, black	●	-	-	-	-
Door handles and mirrors, colour keyed	-	●	●	●	●
Front grille, chrome effect	●	●	●	●	-
Front grille, dark grey metallic with chrome surround	-	-	-	-	●
Mudflaps	●	●	●	●	●
Metallic paint	○	○	○	○	○
Side steps	●	●	●	●	●

Brakes

ABS – electronically controlled with Electronic Brake force Distribution	●	●	●	●	●
Front disc brakes – ventilated	●	●	●	●	●
Rear disc brakes – ventilated	●	●	●	●	●
Brake Assist System	●	●	●	●	●

Bumpers

Front and rear bumper, dark grey material	●	-	-	-	-
Front and rear bumper & wheel arch extensions, colour keyed	-	●	●	●	-
Front and rear bumper, painted	-	-	-	-	●*

Convenience

Satellite navigation system (SNS) with European DVD & turn-by-turn	○	○	●	-	-
Satellite navigation system (SNS) with European DVD & full colour map	-	-	-	●	●†
Bluetooth telephone interface	-	-	-	-	●
Electronic Traffic Avoidance (option linked to SNS)	○	○	●	-	-
Rear view monitor system	-	-	-	-	●
Cruise control	-	-	●	●	●
Drivers footrest	●	●	●	●	●
Courtesy light, remote operation with delay	●	●	●	●	●
Fuel cap, remote release	●	●	●	●	●
Accessory power socket, front & rear	●	●	●	●	●
Ashtray & cigar lighter	●	●	●	●	●
Vanity mirrors, driver and front passenger, with cover and illumination	●	●	●	●	●
Steering wheel, electronic adjustment with memory	-	-	-	-	●
Variable Gear Ratio Steering (VGRS)	-	-	-	-	● (petrol only)

Instruments

Automatic transmission mode indicator	○	○	○	○	○
Trip computer, with fuel consumption and average speed display	-	-	-	-	●
Tachometer	●	●	●	●	●
Fuel indicator with low fuel warning	●	●	●	●	●
Water temperature indicator	●	●	●	●	●
Engine temperature warning	●	●	●	●	●
Engine management warning	●	●	●	●	-
Lights on warning	●	●	●	●	●
Door ajar warning	●	●	●	●	●
Key in warning	●	●	●	●	●
Outside temperature display	●	●	●	●	●
Instrument display dimmer	●	●	●	●	●
Digital odometer with two trip meters	●	●	●	●	●
Digital clock	●	●	●	●	●
Differential and transfer indicator	●	●	●	●	●
Optitron instruments	-	-	●	●	●

Standard ● Option ○ Not available - *Dark or light grey depending on exterior colour. See page 33

†With voice command

	Land Cruiser LC ₂	Land Cruiser LC ₃	Land Cruiser LC ₄	Land Cruiser LC ₅	Land Cruiser Amazon
Interior Trim					
Gear shift knob – leather trimmed	-	-	●	●	-
Gear shift – leather with chrome details	-	-	-	-	●
Fascia, brushed aluminium effect	●	●	-	-	-
Fascia, brushed aluminium effect with wood effect inserts	-	-	●	●	-
Door switch – aluminium effect	●	●	●	●	-
Fascia – wood effect	-	-	-	-	●
Door switch – wood effect	-	-	-	-	●
Wood effect on centre console	-	-	-	-	●
Lights					
Fog lamps – front and rear	(rear only)	●	●	●	●
Halogen headlamps with levelling	●	●	●	●	●
High mounted stop lamp	●	●	●	●	●
Interior light – front, centre & rear	●	●	●	●	●
Headlamp washers	-	●	●	●	●
Locks					
Central double locking with remote activation	●	●	●	●	●
Transponder key engine immobiliser	●	●	●	●	●
Remote alarm with perimeter and microwave interior protection	●	●	●	●	●
Security window etching linked to 24hr ISR helpline	●	●	●	●	●
Steering column lock	●	●	●	●	●
Vehicle parts marking – major parts traceable to VIN	●	●	●	●	●
Loadspace					
Fully trimmed boot	●	●	●	●	●
Rear tonneau cover	● (3dr) / Δ (5dr)	● (3dr) / Δ (5dr)	Δ	Δ	Δ
Luggage area illumination	●	●	●	●	●
Roof					
Sunroof – electric tilt/slide with shade, one touch anti-trap & key off function	-	-	●	●	●
Roof rails	-	●	●	●	●
Storage					
Glove box, illuminated & lockable	●	●	●	●	●
Front seatback pocket – driver and passenger side	●	●	●	●	●
Storage box – central tunnel and doors	●	●	●	●	●
Cupholder – front & rear	●	●	●	●	●
Safety					
Airbags – SRS two stage driver & front passenger	●	●	●	●	●
Airbags – SRS roof mounted front & rear	●	●	●	●	●
Airbags – SRS driver & front passenger, lateral	●	●	●	●	●
3-point seatbelts – all seats with Emergency Locking Retractor	●	●	●	●	●
3-point seatbelts – 2nd & 3rd row seats with ELR & ALR	●	●	●	●	●
Seatbelts – front with, pre-tensioner & force limiter	●	●	●	●	●
Seatbelts – front, height adjustable	●	●	●	●	●
Child seat fixings – ISO-FIX	●	●	●	●	●*
Seat integrated front seat belt anchorage and support	●	●	●	●	●
Side impact beams on all side doors	●	●	●	●	●
Energy absorbing crumple zones front and rear	●	●	●	●	●
Child proof locks on rear doors	● (5dr only)	● (5dr only)	●	●	●
Seats					
Lumbar support – driver	●	●	●	●	●
Multi adjustable front seats – manual	●	●	-	-	-
Multi adjustable front seats – electric	-	-	●	●	● (with memory)
Heated driver & front passenger seat	-	-	●	●	●
Drivers seat position memory function incl. exterior mirrors & steering wheel	-	-	-	-	●
50/50 split/fold 3rd row seats (detachable)	● (5dr only)	● (5dr only)	●	●	●
60/40 split/fold 2nd row seats	●	●	●	●	●
8 seat capacity	● (5dr only)	● (5dr only)	●	●	-
7 seat capacity	-	-	-	-	●
5 seat capacity	● (3dr only)	● (3dr only)	-	-	-
Recline function on 2nd row seats (7 & 8 seat model)	● (5dr only)	● (5dr only)	●	●	●
Arm rests – front & rear	●	●	●	●	●
Seat trim – velour	●	●	-	-	-
Seat trim – leather seat facings	-	-	●	●	●
Seat trim – full leather upholstery	○	○	-	-	-

Standard ● Option ○ Toyota Centre option Δ Not available - with top tether *

	Land Cruiser LC ₂	Land Cruiser LC ₃	Land Cruiser LC ₄	Land Cruiser LC ₅	Land Cruiser Amazon
Steering					
Power assisted steering – electrically controlled	●	●	●	●	●
Adjustable steering column – tilt & telescopic	●	●	●	●	●
Energy absorbing, deformable and retracting steering column	●	●	●	●	●
Steering wheel with leather trim	-	-	●	●	●
Suspension					
TEMS (Toyota Electronically Modulated Suspension) – semi active suspension	-	-	-	●	●
Active Height Control system	-	-	-	-	●
Double wishbone – front	●	●	●	●	●
4-Link lateral with rod – rear	●	●	●	●	●
Transmission					
Vehicle Stability Control	-	-	●	●	● (petrol only)
Traction Control	-	-	●	●	● (petrol only)
Differential locks – centre	●	●	●	●	●
Differential locks – rear	●	●	-	-	● (diesel only)
4WD	●	●	●	●	●
5 speed manual	●	●	●	●	● (diesel)
4 speed automatic	○	○	○	○	-
5 speed automatic	-	-	-	-	● (petrol) / ○ (diesel)
Down-hill Assist Control (DAC)	-	-	● (auto only)	● (auto only)	-
Hill-start Assist Control (HAC)	-	-	● (auto only)	● (auto only)	-
Ventilation					
Air conditioning system – single manual	●	-	-	-	-
Air conditioning system – dual-zone climate control (driver and passenger controls)	-	●	●	-	-
Air conditioning system – dual zone climate control with front & rear controls	-	-	-	●	-
Air conditioning system – climate control with front & rear controls	-	-	-	-	●
Air re-circulation function – electronic	●	●	●	●	●
Clean air filter	●	●	●	●	●
Visibility					
Front wipers – twin speed & variable intermittent with mist function	●	●	●	●	-
Front wipers – twin variable intermittent with rain sensors	-	-	-	-	●
Front and rear windows – electric with "one-touch" & anti-trap mechanism	● (5dr only)	● (5dr only)	●	●	●
Sun visors – driver & front passenger	●	●	●	●	●
Rear screen – heated	●	●	●	●	●
Rear wipers – intermittent and continual sweep	●	●	●	●	●
Exterior mirrors – black, electrically adjustable	●	-	-	-	-
Exterior mirrors – colour-coded, electrically adjustable, heated & retractable	-	●	●	●	● (with memory)
Glass – green tinted	●	●	●	●	●
Warranty					
Three year / 60,000 mile mechanical warranty	●	●	●	●	●
Three year unlimited mileage paint warranty	●	●	●	●	●
Twelve year unlimited mileage anti corrosion perforation warranty	●	●	●	●	●
Wheels					
17" 6-spoke alloy wheels with locking wheelnuts on 225/70R17 tyres	●	-	-	-	-
17" 6-spoke alloy wheels with locking wheelnuts on 265/65R17 tyres	-	●	●	●	●
18" 5-spoke alloy wheels with locking wheelnuts on 275/60R18 tyres	-	-	-	-	●
Full size spare wheel	●	●	●	●	●
Spare wheel tailgate mounted	●	●	●	●	-
Spare wheel underbody mounted	-	-	○	○	●
Hard spare wheel cover, colour keyed	-	-	●	●	-
Leather-look soft spare wheel cover	●	-	-	-	-
Metallic centre section spare wheel	-	●	-	-	-

Standard ● Option ○ Not available -

Technology made simple

Toyota's worldwide reputation for reliability and durability has been built on the back of its technical expertise and innovation. Here is a straightforward guide to the advanced technology that makes the Land Cruiser and Land Cruiser Amazon such outstanding performers, on and off the road.

For a full technical explanation, please consult your local Toyota Centre.

Active Traction Control (A-TRC)

Developed for both on- and off-road use, A-TRC is designed to reduce wheel-spin in slippery conditions by using computer technology to control engine output and brake fluid pressure. After detecting wheel-spin, it distributes the drive force, lost through the slippage, to the wheels having traction. In other words, it automatically delivers more power to the wheels with more traction, giving you greater control.

Air suspension

Air suspension replaces conventional suspension springs with rubber bellows filled with compressed air. This provides superior ride comfort, as well as the ability to change the car's body height by controlling the amount of air inside the bellows. In the Land Cruiser LC5, there is an automatic levelling feature, which maintains the body at a constant height, irrespective of the number of passengers and cargo. At the touch of a button, air suspension can raise or lower the ride height by 30 mm (60mm in total).

Anti-lock Braking System (ABS)

ABS uses a hydraulic control unit with four active electronic sensors to prevent the wheels from 'locking' during braking, especially sudden braking. By helping to maintain vehicle stability and enhance steering performance, it is a key safety feature. The ABS system is the heart of all electronic handling features.

Body-on-frame construction

All Land Cruisers are built using body-on-frame technology to produce a more rigid and robust chassis, capable of withstanding the use and abuse of the severest of off-road conditions. Unlike monocoque chassis constructions, body-on-frame ones can withstand higher stress without suffering permanent deformations, which would compromise the vehicle's handling.

Brake Assist

Brake Assist senses when the driver is attempting an emergency stop by monitoring driver brake effort. It then applies additional brake fluid pressure for maximum braking performance, maintaining the extra pressure until the system detects intentional relaxation of the brake pedal.

Downhill Assist Control (DAC)

Driver-operated, DAC slows the vehicle on slippery downhill slopes to help regain control and prevent vehicle 'run-away'. An improvement on existing systems, it uses individual wheel-direction sensors to maintain slower, controlled speeds, whether going forwards or backwards. It can even be activated when the gear is in neutral.

Differential locks – centre and rear

For difficult off-road conditions, the centre differential can be locked to provide a permanent torque distribution of 50% to the front wheels and 50% to the rear ones, thereby delivering

more even traction. The rear differential with electric lock, ensures power is distributed to both rear wheels, for heavy off-road usage.

Electronic Brake-force Distribution (EBD)

Using the ABS control unit and sensors, EBD automatically applies the correct braking force to each wheel to compensate for different loads when cornering or heavy straight-line braking.

Electronic Multi-Vision (EMV)

EMV is the driver's 'window' and control for a variety of in-car functions. On its touch-sensitive, seven-inch colour screen are displayed audio settings and selections, air conditioning status with temperature control function, screen brightness adjustment, and full mapping, DVD-based satellite navigation system.

Hill-start Assist Control (HAC)

A world-first, HAC is a fully automated control that prevents the vehicle from slipping backwards when starting on a slippery uphill slope. Without it, the driver must quickly switch from the brake to the accelerator, allowing time for backward slippage. To prevent this happening, HAC temporarily applies all four brakes, ensuring a more assured start.

Optitron instrumentation

Optitron replaces traditional instrument panel illumination with individual LEDs (Light Emitting Diodes) on every figure and indicator needle. Located behind a low-reflection, smoked acrylic face, they provide outstandingly clear readability, whatever the light conditions. They also add a more refined appearance to the instrument panel.

Toyota Electronically Modulated Suspension (TEMS)

This semi-active suspension system automatically adjust shock absorber settings to suit driving

conditions. It continually monitors a variety of vehicle operation signals, which after processing are sent to actuators at each of the four shock absorbers. These then constantly control the damping forces of the shock absorbers through 11 different control commands.

Torsen LSD centre differential with diff-lock

This uniquely designed limited slip differential (LSD) ensures an 'intelligent' torque split between front and rear wheels, always favouring the wheels with most traction. If, for example, the front wheels are spinning faster than the rear ones, more power will be automatically transferred to the rear ones until a maximum is reached. For more difficult off-road conditions, the differential can be locked, providing a permanent torque distribution to front/rear wheels.

Variable Gear Ratio Steering (VGRS)

The Land Cruiser Amazon petrol is the first vehicle in the world to be fitted with VGRS which, by adjusting the steering gear ratios according to vehicle speed, improves handling and stability. An actuator, located on the steering intermediate shaft, controls the steering angle to match the driver's steering input and the vehicle's speed. This results in improved steering response and vehicle stability, even in sudden manoeuvres.

Vehicle Stability Control (VSC)

VSC minimises the effects of oversteer and understeer by automatically sensing when the vehicle starts to lose tyre grip due to a sudden steering movement or change in the road surface. It then applies the brakes to individual wheels and reduces engine output to compensate.

Peace of mind

Toyota's global reputation for quality and integrity means the Land Cruiser can add peace of mind to its own highly individual range of attributes. On the day you purchase your Land Cruiser, your Toyota Centre will present you with a 'Land Cruiser Passport'; a guide to living with your Land Cruiser and making the most of its considerable range of features. Your Toyota Centre will explain the car to you, and always be there, should you require any assistance.

Health and Safety

Your Toyota Centre will also talk you through Land Cruiser's very own Health and Safety programme. It's very simple. Your Land Cruiser will only need a full 'Engine service' check once every two years, or 20,000 miles if you enjoy driving it as much as we think you will. An intermediate oil change with additional 'Health and Safety' checks are also required every year or 10,000 miles.

Warranty

We're so confident each and every Land Cruiser is so well built that it comes with a three-year or 60,000 miles warranty against any mechanical failure. In addition, the paintwork, no matter what colour you select, is guaranteed against imperfections for three years too. Also, the body is guaranteed for 12 years against corrosion perforation.



Customer services



When you buy a Toyota, you automatically become a member of one of the most exciting and innovative clubs for car owners in the UK – Club Toyota. As well as giving you one year's free RAC Roadside Assistance in the UK and Europe, Club membership provides a host of other valuable benefits. These include special rates for car and travel insurance plus an exclusive travel service designed to save you time and money. Club Toyota also offers you family membership and the opportunity to participate in a variety of special offers and promotions. You'll find all the details in the quarterly magazine written specifically for Toyota drivers: In Front. **To find out more about Club Toyota call 0845 275 5555.**



Toyota Insurance is available for Toyota owners at competitive premiums. To obtain details of the benefits included and to arrange a quotation, please contact your local Toyota Centre or call 0800 350 500.



Toyota Fleet provides complete business solutions for companies that run a fleet of vehicles. For more information on how Toyota Fleet can deliver your fleet requirements either contact your local Toyota Centre or the Toyota Fleet Business Centre on 0845 271 2712.



Toyota Drive Plans make acquiring and maintaining your new car as easy as driving it. They offer a choice of affordable ways to help you buy, finance, service and maintain your Toyota. The range of plans has been structured to offer you flexibility, easy budgeting and peace of mind.

- **Easy Start is an exciting new low deposit plan.**
 - **Easy Care offers the complete reassurance of prepaid servicing.**
 - **Easy Drive is a comprehensive plan which takes care of most of your motoring needs for 2 to 3 years with one monthly payment.**
 - **Business Drive is a fully maintained contract hire package most suited to small business customers.**
- Whatever your personal preference, your Toyota Centre can tailor a Drive Plan to suit your needs perfectly – driving a new car has never been so easy. Written quotations available on request. All agreements subject to status. Indemnities may be required.



Every new Toyota comes with a three year/60,000 mile manufacturers warranty. Toyota offers you the opportunity to renew your warranty annually after the initial warranty period expires until the vehicle is 7 years old. No unexpected bills or concerns. In fact, nothing to pay beyond routine servicing and maintenance.

Toyota warranties offer equivalent cover to the manufacturers warranty, covering all of the main components of your vehicle (with the exception of batteries, corrosion of exhaust and damage or wear to interior trim).

Our warranty range offers you choice and flexibility, based on the vehicles age and engine size. All allow for an unlimited annual mileage and special low user discounts are available for those covering less than 10,000 miles a year. Warranty cover also includes Club Toyota membership including RAC Roadside Assistance, car hire up to 5 days after the first 24 hours, hotel expenses and free MOT test cover.

For further information please contact your local Toyota Centre.



In the event of an emergency Toyota offers free of charge to Toyota owners a comprehensive management service which includes advice, assistance and practical help. Please contact your local Toyota Centre for further details.



Toyota Approved Used Car Scheme. Please contact your local Toyota Centre for details.

Using the navigation bar

A navigation bar is provided at the bottom of each page of this e-brochure to make browsing it easy. Please follow the simple instructions on the right to navigate through this e-brochure.



Takes the document back to the beginning.



This will take the document back to the previous page.



This will take the document back to the next page.



Takes the document to the Index page.



This will allow the Acrobat toolbar to be visible if pressed once and it will also make it disappear if already visible.



This will zoom in on the document so smaller text etc will be easier to read. To zoom in further, click the icon again. If the menu bar is not visible then either use your mouse by clicking the left hand button and moving it.



This will zoom out of the document. To zoom out further, click the icon again. If the menu bar is not visible then either use your mouse by clicking the left hand button and moving it.



This will print out the full brochure to your printer. Please note that if you have a colour printer this document will print in full colour.



This will save the whole document to your computer.

To close this document press *esc* and then close document normally.

Whilst every effort is made to reproduce accurate information, we reserve the right to change specifications, equipment and availability without prior notice. This brochure cannot be regarded as infallible, (some of the vehicles shown may not be to exact UK specification), and as such does not constitute an offer for sale of any particular vehicle or specification. For the latest specification and availability we ask that you contact your local Toyota Centre.