

The New Peugeot | *807*





BOULET L'ALMA
CONTROL
201/91138
EMPRESA MUNICIPAL ADMINISTRADORA
DEL TERMINAL TERRESTRE DE BAMORA
RUC 18495679
BOLETA DE VENTA
128 - 841765
S/. 1.38

artparis 05
Faire d'art moderne & contemporain
Invitation

faroldesignhotel
★★★★★
Av. Rei Umberto II de Itália, 7
2750 - 461 Cascais
Tel. +351 21 482 34 90 / 6
www.cascais.org

EUROPA PARK
ARTS ASSILIA
BEAUX-ARTS
RESTAURATION
E TABLEAUX
&
CADREMENTS
GALERIE D'ARTS
61, RUE D'ITALIE (ANGLE BERLIOZ)
13006 MARSEILLE
TEL. 04 98 12 44 85

Enmalige entree Single entry
Entrée unique Einmaliger Eintritt



ARQUE PLUME
PACE CHAPITEAUX
SPECTACLE NON ACCESSIBLE AUX
ENFANTS DE MOINS DE 3 ANS

24/09/2005 - 2
MARTIN
DUPLICATA

VOID IF DETACHED
8 MAR 05
TO BE COLLECTED BY DRIVER
MONDAY
8 MAR 05
KEEP THIS TRANSFER/
FARE RECEIPT AS PROOF OF
348157

GALERIE
JACQUELINE PERRIN
ACHAT - VENTE - EXPERTISE

Far-near / then-now / outside-inside...
/enjoy roast beef with vegetables and sushi / read James Joyce and Harry Potter, listen to Mozart and The Beatles / buy yourself a Chippendale chair and a Conran sofa / a Savile Row suit, a T-shirt from Camden Market / holidays in St. Kitts, a weekend in Barcelona / Van Gogh in Amsterdam, Beethoven in Vienna in Milan / Goodbye to divisions and distinctions, hello to tolerance and fusion / let's be curious, let's have a change of scene / let's see the big picture / let's live every moment / Long live the open mind!

sliding side doorp 8
comfort and ambience.....p 12
in the driving seat.....p 16
conveniencep 18
storage.....p 20
passive safety and protection.....p 24
active safety and road holding.....p 26
transmission and engines.....p 28
colours and wheels.....p 30
interiors.....p 32
accessories.....p 36
boutique.....p 38



Open your mind...



- LONDRES
- HANOVRE
- GOTEBORG
- PRAGUE
- VENISE
- MADRID
- BRIGHTON
- MARSEILLE
- CASABLANCA
- NEW YORK
- MILAN
- MOSCOU
- BUDAPEST
- ATHENES
- BARCELONE
- EDINBOURG
- OSLO
- STOCKHOLM
- LIVERPOOL
- SEVILLE
- FARO
- VANCOUVER
- HYAOUNDE
- OULAN BATOR
- SHANGHAI
- BOMBAY
- BERLIN
- LISBONNE
- AMSTERDAM
- PARIS
- LONDRES
- HANOVRE
- GOTEBORG
- PRAGUE
- VENISE
- MADRID
- BRIGHTON
- MARSEILLE
- CASABLANCA
- NEW YORK
- MILAN
- MOSCOU
- BUDAPEST
- ATHENES
- BARCELONE
- EDINBOURG
- OSLO
- STOCKHOLM
- LIVERPOOL
- SEVILLE
- FARO
- VANCOUVER
- HYAOUNDE
- OLAN BATOR
- SHANGHAI
- BOMBAY



...easy to open

01



02



01 – Just press the button on your remote control and the sliding side doors glide open. Access to the rear seats couldn't be easier.

02 – Multi-function remote control
In addition to opening the electric sliding side doors, the high-frequency remote control system makes it possible to lock and unlock the vehicle remotely and locate the vehicle (via activation of indicator lights).

Open your mind...
...and open up endless possibilities for your family



...comfortable, bright and airy



Panoramic athermic windscreen* with a surface area of 1.95 m² ensures total visibility and reduces heat reflection inside the passenger compartment by 25%.

The huge expanse of glass gives the 807 an unparalleled sense of spaciousness.

Retractable sunblinds* keep the sun's glare off the second and third rows.

Dark tinted side windows** in the second and third row.

One-touch electric front and rear windows* with anti-pinch feature and electronic rear door child locks.

The Quickfix™ system means the seats can be fitted and removed in a fraction of a second without any need for tools. And because the handbrake and gearstick are located out of the way, it's easy to move between the second and third rows of seats.

01 – Three optional tilt and slide electric sunroofs are each fitted with an anti-pinch device and a sunblind.

02 – The roof console controls central locking, opening of the sliding doors and the 3 electric sunroofs and regulates all interior lighting.

03 – Rear seats can be folded down with a simple movement, making it easier to gain access to the third row of seats.

*SE and Executive models only
**Standard on Executive models.
Optional on S & SE models



...space and flexibility



01



02



03



01 – 8 seat configuration (depending on model)

02 – 5 seat 'Lounge' configuration

03 – 'Cargo' configuration: putting seats in the 'wallet' position to free up maximum boot space

... in the driving seat

01



02



03



04



05



06

- 01** – On the SE and Executive versions, the front seats rotate through 180° so that when the vehicle is stationary, they can be arranged to form a genuine 'small lounge area'.
- 02** – **Steering wheel** is height and reach adjustable to adapt to your driving position.
- 03** – **Lumbar adjustment**, combined with height, length and reclining adjustment allows you to find your most comfortable driving position. The front heated seats also have 4-memory electric adjustment.
- 04** – **Instrument panel with large colour display.** Ivory background, orange lights – perfect for viewing your route maps.
- 05** – **RD4 audio system and 3-dial instrument panel**
This radio / CD player has an output of 4x15 Watt and a Digital Sound Processor to ensure optimum sound reproduction.

- 06** – **RT3 Colour Satellite Navigation System***.
This advanced system comprises:

- **GPS navigation.** Listen to verbal directions through the speakers, or see your route mapped out on the multi-function colour display.
- **High-definition 7" widescreen colour display.**
- **GSM phone.** Built into the RT3, this voice activated system uses an integral microphone, controls under the steering wheel and the car radio speakers to let you stay in touch and keep both hands on the wheel.
- **Voice recognition for peace of mind while driving.**
- **MP3 playback compatibility.**

*Option on SE and Executive models

...convenience

01 – Electrically operated and heated door mirrors*. Plus you can activate the rear windows and the door locks direct from your control pad.

02 – Child-check mirror* allows the driver and the front passenger to monitor the rear seats, without having to change the position of the interior rear-view mirror.

03 – Digital air-conditioning with climate control keeps the atmosphere perfectly balanced whatever the weather outside.

Passengers in the second and third rows can adjust the **airflow** to suit their individual needs, thanks to air vent points and a control panel located in the side door pillar.

For added convenience, the following features (not shown) are also available:

Automatic rain sensing front wipers* adapt their speed to match the intensity of rain.

Electrochrome rear view mirror* darkens or brightens automatically.

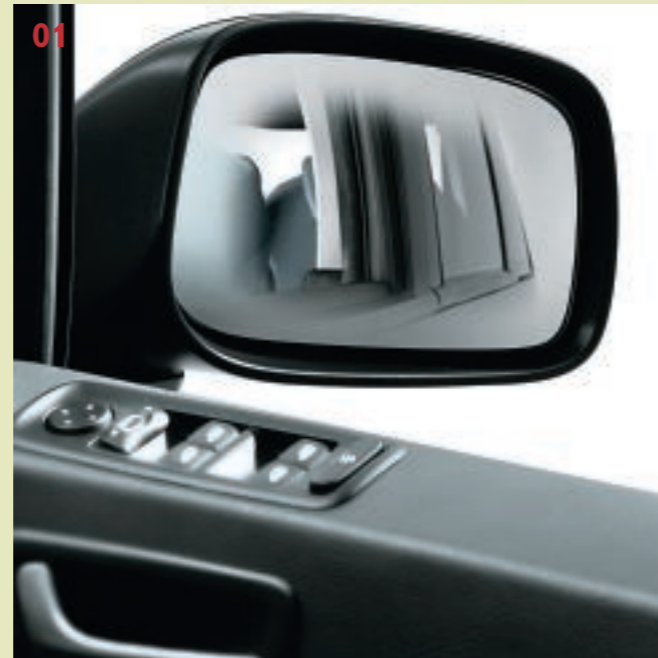
Xenon headlamps* with automatic height adjustment and headlamp washers.

Automatic headlights on* illuminate the road ahead as soon as it starts to get dark.

'Guide-Me-Home'* function maintains exterior headlights on until you reach your front door and lock the car via the plip key.

Rear parking aid* with ultrasonic distance sensors located in the rear bumper.

*Equipment availability dependent on model



01



02



03



04



05



06



40 practical storage areas, including:

- 01 – Large boot space** available in the 5-seater configuration.
- 02 – Clever storage space** on the dashboard.
- 03 – 3rd row storage areas.**
- 04 – A refrigerated storage area** in the central console.
- 05 – Large storage compartments in the front and back door panels,** each with the capacity to hold a 1.5 litre bottle.
- 06 – Discrete storage drawer*** under the front seats.

For added convenience, the following features (not shown) are also available:

- Aviation style tables*** on the back of the front seats for passengers in the second row.
- A mesh net** that can be installed either flat or in a hammock position.
- Elasticated support straps*** at the bottom of each front seat.
- Sliding roof bars*.**
- 12V accessory power points*** for passengers in the second and third rows.

*Dependent on model



Open your mind...

...and open your eyes to innovation

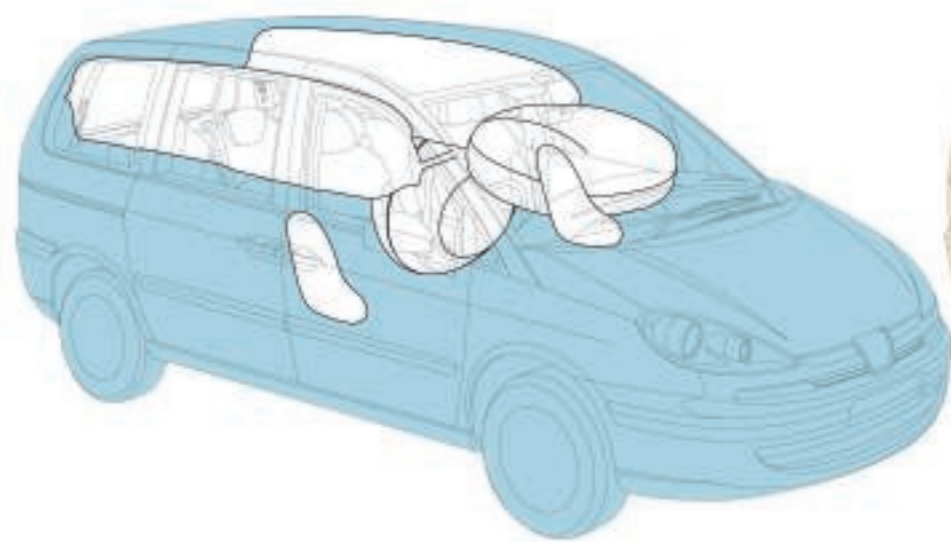
MANCHESTER
BARCELONA
↓
BERLIN
↓



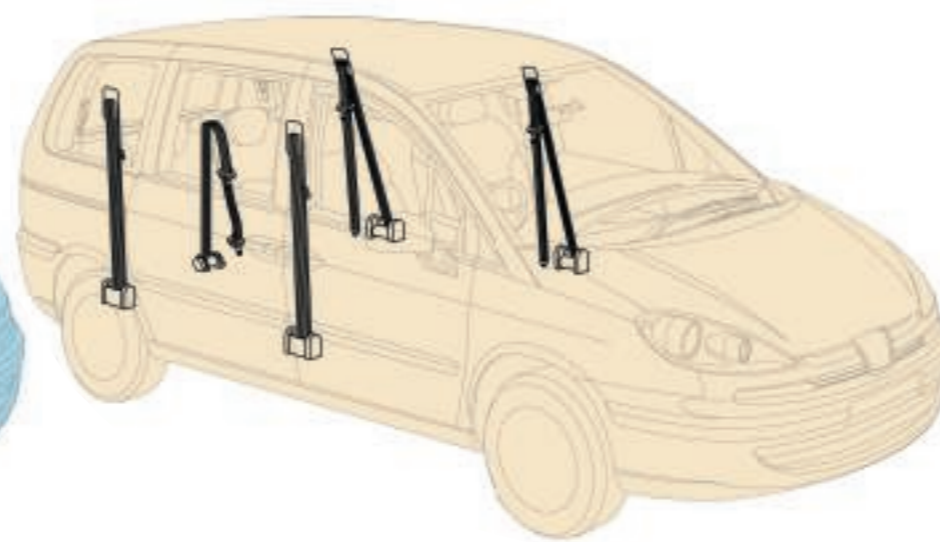
...passive safety and protection



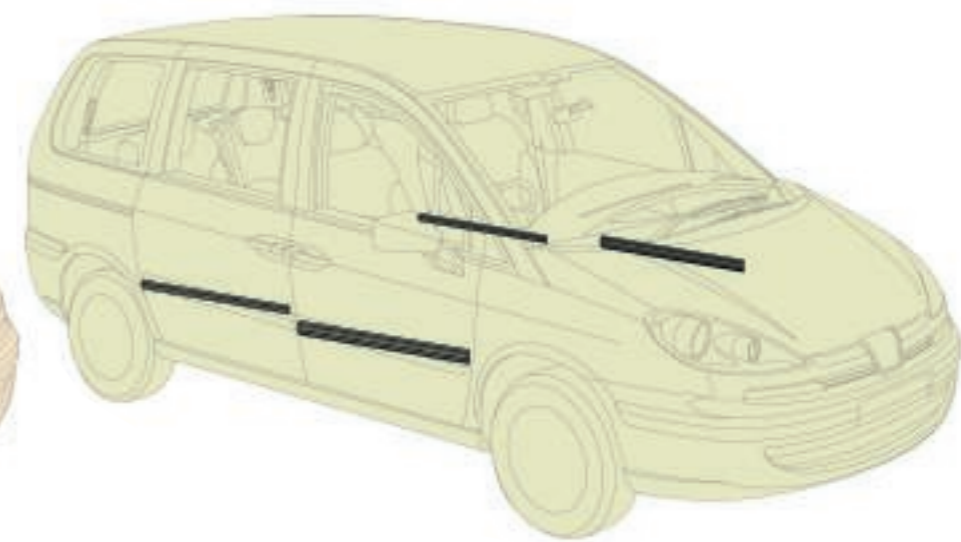
The coveted 5 star award from **EuroNCAP** is proof that the 807 is one of the safest cars on the road. Having spent years perfecting our passive safety equipment, we're particularly proud that it's the first MPV to achieve such a high rating.



01 – The SMART front airbags feature two generators: depending on the force of the impact, either one of both of the generators will be activated, optimizing the pressure and speed of inflation to match the severity of the collision. **Two side airbags** are integrated into the side panels of the front seats. **Two curtain airbags** above the side windows protect passengers in all three rows.



02 – Each seat has safety belts with 3 anchoring points, including the central seat in the second row. **Pre-tensioning and force limiting** seat belts for the front, 2nd and 3rd rows outer seats. **Seat belt indicator light** will remind you to fasten your seat belt when a warning light appears on the instrument display.



03 – Reinforced body structure provides optimum side impact protection.

Tyre pressure sensors* monitor pressure and temperature, warning you the instant they detect a defective tyre.

A safety mechanism prevents the head restraints from dropping in the event of a rear impact.

The outer seats in rows 2 and 3 are fitted with Isofix points that allow compatible child seats to be secured safely and easily.

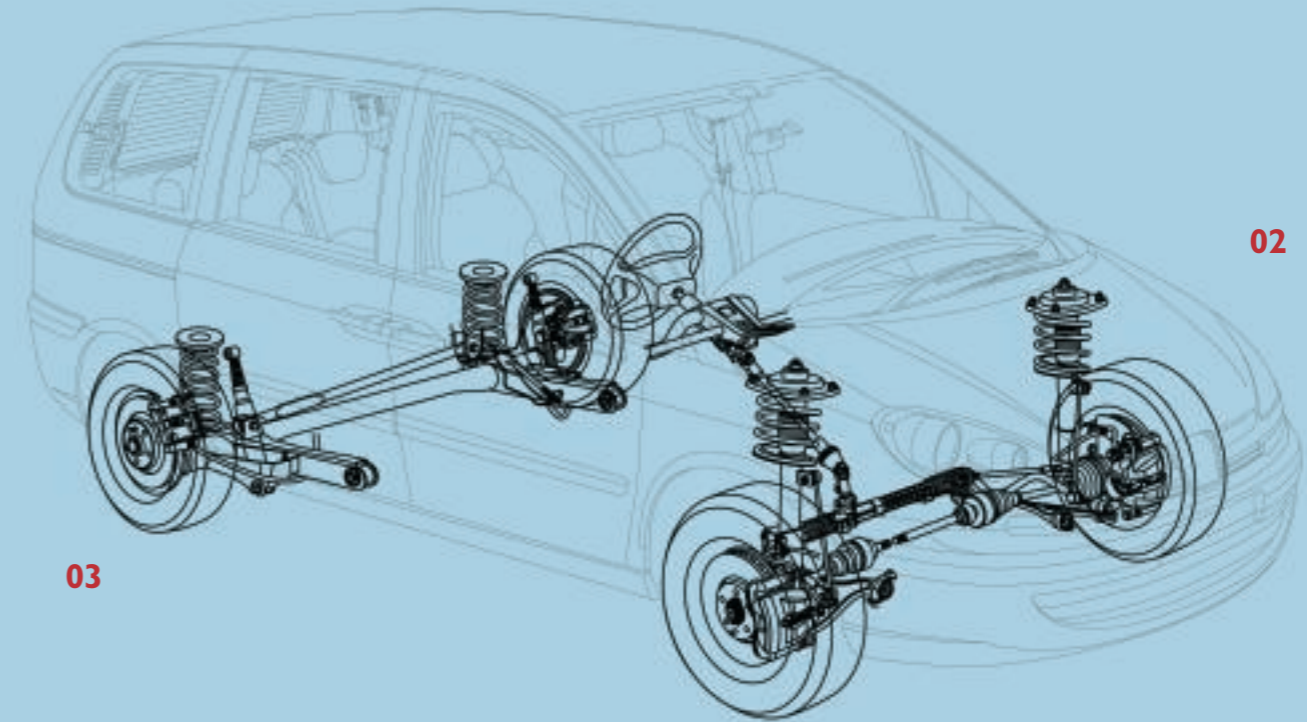
*SE and Executive models only

...active safety and road holding



ESP (Electronic Stability Programme) controls the stability of the 807 by comparing the angle of the wheels and the trajectory of the vehicle. This system combines 5 functions:

- **Anti-lock Braking System (ABS)** prevents any risk of wheels locking whilst braking on slippery roads, allowing the driver to maintain steering control.
- **Traction Control (ASR)** prevents wheels from spinning in poor grip conditions, especially when you're accelerating on slippery surfaces.
- **CBC system (Corner Braking Control)** distributes the brake force wheel by wheel to help you hold the perfect line.
- **Electronic Brake Force Distribution (EBFD)** distributes brake pressure over all four wheels, according to grip and vehicle load.
- **Emergency Brake Assist (EBA)** gives your braking maximum power.



- 01** – **Speed limiter with cruise control*** helps you maintain a constant speed and stay within legal limits. If you want to override it, just put a little extra pressure on the accelerator.
- 02** – **“McPherson” type front suspension** for greater precision and safety.
- 03** – **Rear suspension with trailing arms and torsion beam axle** to ensure optimum road holding.

Ultra-high frequency exterior and interior alarms* come as standard on doors, boot and bonnet to protect your 807.

Even if someone decides to break a window to open your doors from the inside, **deadlocks** make it impossible for them to gain entry.

Immobiliser with variable code transponder means the engine can only be started with the correct key.

Anti-drill locks “disengage” if anything other than the key is introduced.

Steering column lock prevents the car being driven away without using the key.

Hazard warning lights come on automatically should you need to brake suddenly.

*Dependent on model

01



02



01 – A 6-speed manual gearbox comes as standard on the 2.2 litre HDi FAP engine. The ratio of 5th gear has been shortened for more immediate acceleration, while 6th gear has been extended to reduce fuel consumption and engine noise.

02 – The Tiptronic System Porsche automatic gearbox has 4 speeds and is available with the 2.0 litre petrol and diesel models. In 'auto active' mode, the gearbox adapts to your driving style and different road conditions.

03 – HDi FAP engines take the diesel revolution one step further: Equipped with a particulate emission filter, they have low levels of fuel consumption, and reduce particulate emissions to negligible amounts. More economical, more efficient and cleaner.



	Consumption mpg litres/100 km			CO ₂ (g/km)	Power	Torque
	Urban	Extra Urban	Combined			
2.0 litre 16v	23.5 (12.0)	38.6 (7.3)	31.3 (9.0)	213	143	195
2.0 litre 16v automatic	21.2 (13.3)	37.6 (7.5)	29.4 (9.6)	229	143	195
2.0 litre HDi 110	30.7 (9.2)	47.88 (5.9)	40.35 (7.0)	186	110	270
2.0 litre HDi FAP automatic	26.15 (10.8)	44.13 (6.4)	35.31 (8.0)	210	109	250
2.2 litre HDi FAP	29.12 (9.7)	46.31 (6.1)	38.69 (7.3)	195	130	314

Engine availability:

Petrol 2.0 litre 16v
2.0 litre 16v automatic

Diesel 2.0 litre HDi
2.0 litre HDi FAP automatic
2.2 litre HDi FAP

Open your mind...
 ...and find your own style



Colours



Solid colours
 01 – Bianca White
 02 – Dragoon Blue

Metallic colours*
 03 – Ruby Red
 04 – Royal Blue
 05 – China Blue
 06 – Aluminium
 07 – Astor Grey
 08 – Azzuro Blue
 09 – Slate
 10 – Iron Grey

*Metallic paint is an option at extra cost

Door sill kick plate



Available on the Executive model

Wheels



01 – 16" Steel wheels with Adagio wheel trim on the S models

02 – 16" Largo alloy wheels with anti-theft wheel bolts on the SE and Executive models



S
01 – Starting Grey cloth



SE
02 – Fangom Grey velour



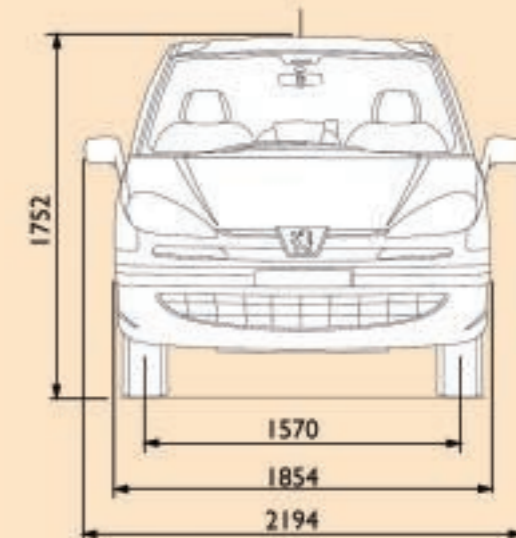
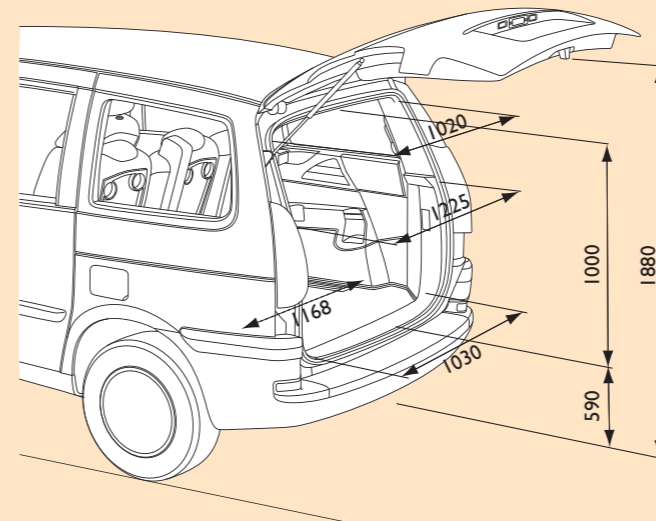
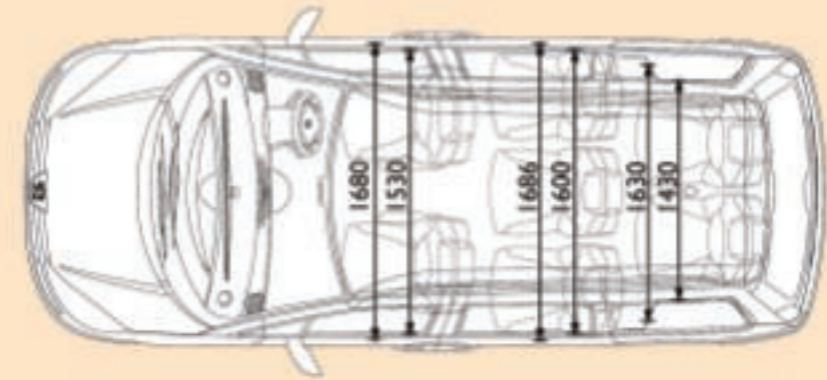
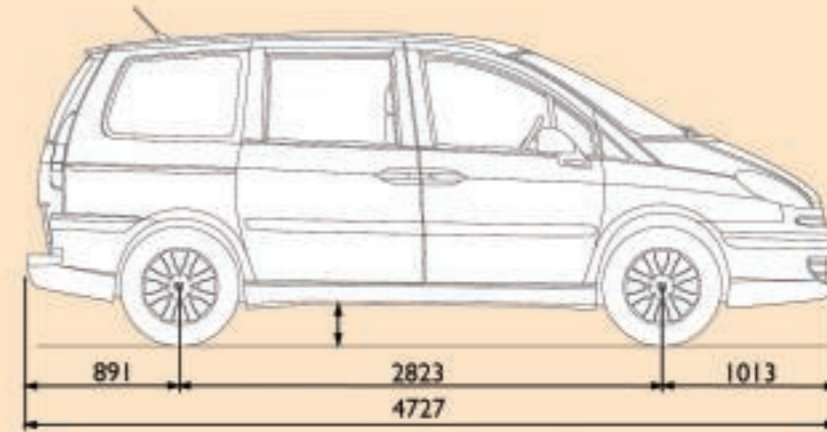


Executive

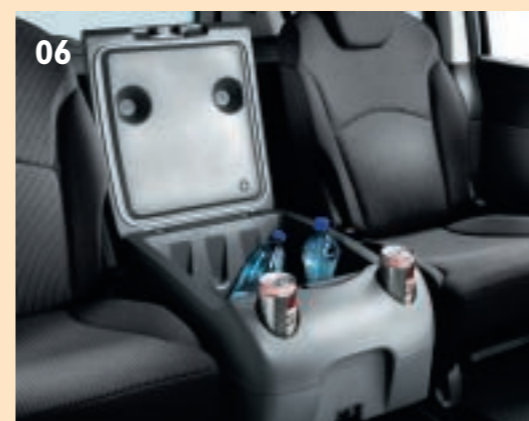
- 01 – Alcantara / Diamond Zagros cloth
- 02 – Morning Grey leather*

*Available as an option on Executive only

...dimensions



... accessories



- 01 – Multimedia video screen
- 02 – Auxiliary connection kit for RD4 radio
- 03 – Bluetooth hands-free kit
- 04 – Cycle carrier on tailgate
- 05 – Luggage compartment tray
- 06 – Hot/cold box module
- 07 – Set of 4 grey high-durability carpet mats



01 – 807 Model Car

3 inch model 807 by Norev
Ref: 9665LA



02 – 807 Watch

With three interchangeable
rubber straps
Ref: 9665LZ



03 – Playing Cards

Deluxe presentation box
containing one pack of playing
cards, one set of road safety
cards, and one set of magic
cards (in French)
Ref: 9665LY



04 – Weekend Bag

600 denier polyester
(478 x 330 x 195mm)
Ref: 9665LT

05 – 2 in 1 Travel Bag

600 denier polyester travel bag
(600 x 350 x 200mm)
with front pocket bag
(280 x 215 x 45mm)
Ref: 9665LS



06 – Travel Blanket and Bag

Bag with shoulder strap
and fleece blanket
(blanket not shown)
Ref: 9665LVV

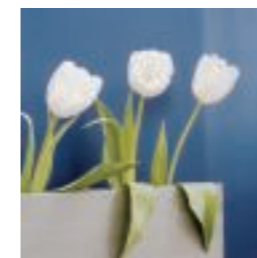
Please note all items are subject to availability.



The Peugeot Customer Promise

When you buy a new Peugeot vehicle from a Peugeot Dealer in the UK and entrust your vehicle to one of them for servicing or repair, they promise:

to give you the best people, with the best training and diagnostic tools, Peugeot Original Equipment Parts and the best aftersales backup, all at a competitive price.

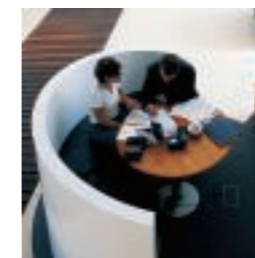


▶ PEUGEOT PEACE OF MIND

Peugeot vehicles are designed and manufactured to give you worry-free motoring and peace of mind. As a Peugeot owner you are entitled to a comprehensive range of customer care services from your Peugeot Dealer who has the expertise to maintain your Peugeot to its peak performance.

▶ PEUGEOT WARRANTIES

• 3 Years of Warranty
In addition to the 2 year unlimited mileage manufacturer's Warranty, all vehicles first registered in the UK and purchased from a UK Peugeot Dealer benefit from a free optional additional 1 year of Warranty provided by the Peugeot Dealer network in the UK. This additional Warranty carries a mileage limit of 60,000 miles (100,000 miles for



Boxer models excluding Motorhomes and other converted vehicles) from first registration. The conditions of the additional 1 year Warranty are identical to those of the 2 year manufacturer's Warranty. (For full terms and conditions, please consult your Peugeot Dealer. NB: This 3 years of Warranty is automatically transferable on the sale of the vehicle.) At the end of the 3 years of Warranty (or 60,000 miles) you have the option to purchase a Peugeot Platinum Extended Warranty. This offers an almost identical level of peace of mind warranty cover for up to a maximum of a further 48 months (unlimited mileage). Contact your Peugeot Dealer for details.

• 12 Year Anti-Perforation and 3 Year Paint Warranty

Also automatically transferable on sale of the vehicle, this will maintain and enhance the resale value of your vehicle. (The Anti-Perforation Warranty is limited to 6 years and the Paint Warranty to 2 years on 206 Van, Partner, Expert and Boxer vans.)

▶ PEUGEOT ASSISTANCE

For the first year of ownership you will automatically receive Peugeot Assistance cover for complete peace of mind. Additional Peugeot Assistance may be purchased for the second and third years. Operated by the RAC, it includes roadside assistance, vehicle recovery, free replacement vehicle or hotel accommodation and chauffeur provision in case of certain medical disabilities. Peugeot Assistance is available within the UK and Europe.

Your local Peugeot Dealer has full details of terms and conditions.

▶ PEUGEOT SERVICE CARE

Peugeot petrol engine vehicles need servicing every 20,000 miles (10,000 miles or 1 year on 107, 12,000 on 2.0 litre 180 bhp engines) or every 2 years. Drivers of HDi diesel versions also benefit from extended servicing with 12,000 miles (20,000 on 2.0 litre HDi 206, 407 & Expert and 1.4 HDi 206) or 2 year intervals. With less time spent in the maintenance bay and fewer service visits, Peugeot have passed on the benefits of technology in engine design and lubrication. In between scheduled services your Peugeot Dealer offers you a complementary intermediate visit (level check/top up) provided the appropriate, previous full service has been carried out at an authorised Peugeot Dealership.

In order to minimise the inconvenience associated with normal servicing, Peugeot UK Dealers promise to offer you the choice of:

- while you wait servicing with a timed appointment;
- or local vehicle collection from your home or place of work;

- or alternative transport to the railway station, home or place of work;

- or by arrangement, a hire vehicle at a concessionary rate. In addition they will aim to ensure that your vehicle is washed before it is returned.

▶ PEUGEOT INSURANCE

Peugeot Insurance has been designed specifically for Peugeots and offers tailored cover at a competitive price. If you are unfortunate enough to have an accident, one of our Peugeot Approved Accident Repair Centres will repair your car, using only Peugeot original parts, guaranteed for 3 years. Plus we'll give you a courtesy car while yours is being repaired (subject to availability when you use an approved repairer).

When the time comes to renew your insurance cover, why not try Peugeot Insurance?

You can call Peugeot Insurance for a quote on 0870 0240 206.

Lines open 8am-8pm weekdays, 9am-5pm Saturdays. Calls may be recorded.

Peugeot Insurance is underwritten by UK Insurance Limited. Conditions apply.

The information and images in this brochure are based on the current technical data when going to print. The equipment shown is factory fitted or available as an option at extra cost, depending on the model. Where a feature is described as an option it should be assumed that it is at extra cost unless specifically stated otherwise. There may be some feature combinations that are not available in the UK and some photography may feature left hand drive vehicles. As part of a policy of continuous specification improvement, Peugeot reserve the right to modify the technical equipment, options and colours at any time. For full specification ask your local Peugeot Dealer or click on www.peugeot.co.uk. Note that current print and photographic techniques do not allow us to faithfully reproduce the full depth and tone of the colours in this brochure. This brochure is designed to provide general product information and is not a contractual document or offer of sale. For current information please contact your authorised Peugeot Dealer. The details in this catalogue cannot be reproduced without the express authorisation of Peugeot.

Issued by: Sales and Marketing, Peugeot Motor Company plc,
Aldermoor House, PO Box 227, Aldermoor Lane, Coventry CV3 1LT.

For details of HM Forces tax-free military sales contact:
Peugeot Export, 454-490 Mile End Road, London E1 4PE.
Telephone: 020 7791 9050
Email: peugeot.export@peugeotmail.co.uk

For all other enquiries please call 0845 200 1234
(calls will be charged at local rate and may be
recorded for training or quality purposes).

The Peugeot website contains full information on all Peugeot
products and offers available in the UK, together with details
of our environmental and recycling policies.
The site address is www.peugeot.co.uk

October 2005
MCP 2531

