



Peugeot //

807



# 807

Style //	4
Comfort //	10
Passion //	24
Trust //	29
Choice //	32
Peugeot & You //	38



Peugeot

## The right chemistry

When you choose a Peugeot, you're buying more than an elegant piece of design or a superb piece of engineering, you're buying a vision – our dream of a marque that embodies your desires and meets your expectations in every way. A vehicle that is the very personification of the Peugeot spirit.

This spirit, or essence, of our marque can be summed up in four words. Style, quality, dynamism and innovation – the values that every Peugeot is created around.

So what does that mean to you? It means beauty. Stunning design, pure Peugeot lines, the very quintessence of aesthetics as seen by top Peugeot designers. Or roughly translated, a car that makes your heart beat faster every time you look at it.

It means a car that you can trust. Every new Peugeot is built to the very highest standards, ensuring technical excellence, superb handling plus peace of mind, and is engineered to achieve optimum active and passive safety.

It also means passion. Our passion for creating cars with real poise and precision, cars that communicate with the road and connect with you, lifting your spirits on every journey. Cars that reawaken your enthusiasm for driving.

And it goes without saying that it means intelligence. Innovative designs and features that answer your demands for better, safer, more comfortable and environmentally respectful vehicles (we've reduced emissions from our engines and every new car we build is 90% recyclable).

These are the strands of Peugeot DNA that you'll find running through every vehicle that bears our name today, and every car that we'll build tomorrow – just as the four lines run through the design of every page in this brochure. Creating the perfect chemistry between you and your car. And ensuring you the drive of your life.

Open your mind...



Think life's too short to compromise? The 807 combines the perfectly balanced proportions and driveability of a Peugeot saloon with the generous design of an MPV and the practicality of a classy cargo carrier. Making this one vehicle that most definitely won't cramp your style.

Everything has been designed to make journeys more enjoyable for the whole family.

Beneath the distinguished silhouette lies a bright, spacious interior with more than enough room to accommodate up to eight in comfort – so you can easily fit all the kids and their kit in without any squabbling.

Add to that class-leading levels of technology and functionality, virtually limitless seat configurations and smooth, responsive diesel power and you can begin to see why so many people put the 807 at the top of their wish list. And how it could open up lots of possibilities for you too.





# Come in, it's open!



#### Remote control

Having a busy day? The 807's high-frequency, multi-function remote control key fob locks the doors, operates the windows and opens the sliding side doors<sup>(1)</sup>, so you can do it all without lifting more than a finger. Plus because the key blade folds neatly down inside the fob when you're not driving, it won't wear holes in your pockets or bags either.

(1) Fitted as standard on SE and Executive versions.

Got your hands full? Just one touch on your remote and the 807's sliding side doors<sup>(1)</sup> glide open automatically, no problem.

(1) Fitted as standard on SE and Executive versions.

# Bright ideas



### A sunroof for everyone

Why make do with one electric tilt and slide sunroof, when you can have three<sup>(1)</sup> With this option the passengers in each row can choose whether to let the sun shine in or not. Each sunroof has its own control button (or you can choose to operate them all from the overhead console) and comes with blinds plus an auto-reverse function for extra safety.



### Overall control

Another 807 bright idea: an overhead console with illuminated controls. From here you and your front seat passenger have complete command of the central locking system, the electric sliding side doors<sup>(2)</sup>, the three sunroofs<sup>(1)</sup> and all the interior lights. Preventing arguments and accidents.

(1)Optional on all versions.  
(2)Fitted as standard on SE and Executive.

### Get the big picture

With a surface area measuring an eye-opening 1.95m<sup>2</sup>, the 807's panoramic windscreen gives you excellent visibility and lets light flood in, making the whole vehicle seem brighter and more airy.

(1)Fitted as standard on SE and Executive.  
(2)Standard on Executive, optional on S and SE.  
(3)Standard on all models for the front doors and standard on SE and Executive for the rear doors.  
(4)Where optional bench seat is fitted to S or SE models.

### Light and shade

Of course, not everyone is content to watch the world go by. That's why the 807's passenger compartment is fitted with enough lights to ensure all the family can see to play games or read comfortably. And if someone fancies a nap or needs extra shade from the sun, the integral blinds<sup>(1)</sup> in the second and third rows are quick and easy to pull down.

Want extra privacy? Dark tinted<sup>(2)</sup> side windows to rows 2 and 3 protect your family and your possessions from prying eyes.

### Children first

You can't have eyes in the back of your head, so the 807 is designed to protect curious fingers from harm. The 807's one-touch electric windows<sup>(3)</sup> are equipped with a safety auto-reverse system and can be locked and de-activated automatically.

### Room for all the family

All in or all out? Thanks to the Quickfix<sup>®</sup> system you can fit and remove seats in an instant without any need for tools, so the 807 can convert into practically anything you want it to be immediately and effortlessly. Executive limousine for eight<sup>(4)</sup>? Two seater cargo carrier? With the 807 you're free to choose. There's plenty of room to manoeuvre too – having the hand brake on the right and the gear stick mounted on the console makes it easier for your crew to move between the first and second row of seats.



It's simple to fold the rear side seats back for easier access to the third row of seats.

# As flexible as your schedule



The 807 is designed to transport up to eight people in comfort. The third row of seats can also be replaced by an optional bench seat if you prefer.



Park and take it easy. In the 'lounge'<sup>(1)</sup> configuration you can swivel the front seats round and fold a centre seat down to form a practical low table.

(1) Fitted on SE and Executive models only.



In the 'stowed' position, the seats can be folded up completely to give you easy access to the third row or to free up maximum boot space.



Swivel the front seats round by 180°<sup>(1)</sup> and you've got a genuine small 'lounge' area to relax in.

(1) Fitted on SE and Executive models only.

Air, space, light...  
...driving an MPV's never felt so good





# Your intelligent 807

You'll find all the most sophisticated technology on the 807. The SE version, for example, features electric sliding side doors, a CD dual-tuner radio with MP3 playback plus heated door mirrors that can be adjusted and folded electronically. All for your convenience.

Fancy having a world-class navigator on board? The 807 SE and Executive models can also be equipped with an optional colour satellite navigation system in the shape of our latest RT3 system with its integral radio-telephone.



Directions can be read directly from the large colour screen situated on the RT3's instrument panel, with its off-white background and orange lights.



To help you find your ideal driving position, the steering is height and reach adjustable.



Sit back and relax. The driver's seat is fully adjustable, allowing you to alter the height, length and angle of recline in addition to the way the seat back curves to support your spine<sup>(1)</sup>. And if the SE or Executive model is your choice, the front seats are electrically heated with 2-memory electric adjustment.



The advanced RT3<sup>(1)</sup> communication system features:

- Satellite navigation system (Global Positioning System) which broadcasts the latest traffic information and gives you directions verbally through the speakers and visually on the multi-function colour display.
- 16/9 7" high-definition colour display.
- GSM telephone incorporated into the radio. Thanks to a built-in microphone and steering wheel-mounted controls, you can safely keep in touch with your friends and family and still concentrate on the road ahead.
- Voice recognition and voice synthesis to take the hassle out of using the system.
- A new RD4 radio CD player with MP3 playback compatibility and steering wheel mounted controls.



Stay in tune with the whole family. The RD4 radio CD delivers 4x15 w of crystal clear sound thanks to its Digital Sound Processor. It's MP3 compatible on SE and Executive versions, so you can take all your favourite sounds wherever you go.

(1) Option on SE and Executive models.

# Automatically better

## In a world of their own

Everyone's different. That's why SE and Executive versions include an adjustable airflow for every passenger in the second and third rows, courtesy of their own control points located in the side door pillars.

## Here comes the rain

The first drops hit the windscreen... and your wipers spring into action. A rain sensor at the bottom of the windscreen activates the wipers automatically<sup>(1)</sup> – and makes sure they adapt their sweep rate to match the intensity of the rain.

## A dazzling solution

The electrochrome rear-view mirror<sup>(2)</sup> darkens and brightens automatically to prevent you being dazzled by the cars behind.

## Daylight at night

The 807's Xenon<sup>(2)</sup> headlights are powerful and bright. They pour out light that's at the blue end of the colour spectrum, like daylight, improving your visibility without dazzling other road users.

## Don't stay in the dark

When the light levels start to fall, the 807's dipped headlights come on automatically<sup>(1)</sup> to make sure you can see and be seen.

## Safe to your door

Don't be afraid of the dark. The 'Follow me home' headlights can be programmed to stay on<sup>(1)</sup> long enough for you to find the garage key or get safely to your door.

## Expert parker

The 807 makes short work of even the tightest spaces thanks to ultrasonic rear parking sensors<sup>(3)</sup> located in the back bumper.

## Have it your own way

Must have air-conditioning? Choose the Executive version and the interior temperature can be regulated automatically to keep it at just the right level. The system even includes left/right adjustment to keep both you and your front seat passenger happy.

(1) On Executive version.  
 (2) Optional on Executive.  
 (3) Option on SE and standard on Executive.



Want to keep an eye on the kids? The child mirror lets the front seat passenger watch what's going on in the rear of the vehicle, so you don't have to alter the position of your rear view mirror when you're driving.



To protect your car, and your most precious passengers, the electronically-adjustable, heated door mirrors fold away automatically when you park and the side doors and windows can be locked from the panel located in the driver's door.



# Room for all!



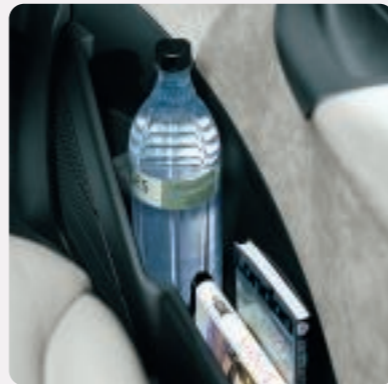
Where's that CD? Try the clever CD holder hidden in the passenger's side of the dashboard.



There are plenty of storage areas in the third row too.



Can I have a drink please, Mum? The refrigerated storage compartment in the centre console keeps your cans and bottles cool when the temperature rises.



Handy pockets in the front door panels can hold a 1.5 litre bottle, or whatever you fancy.



Go on... stow it away in the storage drawer under the front seats.

We've added lots of thoughtful touches to ensure everyone feels at home in the 807. There are 12v accessory power points<sup>(1)</sup> and pull down tables to help keep passengers in the second row occupied. Want to keep personal items out of harms' way? Try storing them behind the practical elastic support straps<sup>(1)</sup> at the bottom of both front seats. Or why not have a mesh luggage net<sup>(1)</sup> installed to secure them in the boot? The net can be fitted flat or slung like a hammock, whatever suits you best.

<sup>(1)</sup> Depending on version.



## Intelligent protection

It isn't where you go, it's how safely you can get your family there that matters. To give you and your precious cargo optimum protection, the 807 comes equipped with all the very latest intelligent active safety features.



Like all Peugeots, the 807 has been designed to give you confidence from the second you pull away. Take it through a few bends... try the brakes... you'll soon start to appreciate just how well it holds the road.

To retain optimal balance and keep you safe in all conditions, the 807's braking system combines several functions:

- Anti-lock braking system (ABS) to control your trajectory during emergency braking.
- Electronic Brake Force Distribution (EBFD) to control your braking wheel by wheel for greater efficiency, particularly when braking in corners.
- Emergency Brake Assist (EBA) to enhance the effectiveness of your braking if necessary.

The ESP (Electronic Stability Program), offers three additional functions:

- Traction control (ASR) prevents wheels from spinning in poor grip conditions, especially when you're accelerating on slippery surfaces.
- Dynamic Stability Control (DSC) which continuously compares information transmitted by the steering wheel sensor and the yaw sensor to detect any incipient understeer or oversteer; returning your 807 to its initial trajectory.
- Corner Braking Control (CBC) which controls the brake force on each individual wheel should you need to brake in a corner.

You can never do too much to keep the ones you love safe. That's why when we designed the 807 one of our primary objectives was to create a vehicle that would protect you and your passengers as effectively as possible from every danger. Even the unforeseeable.



Awarded 5 stars for adult protection in the Euro NCAP tests, the 807 protects you in a number of ways. Crumple zones at the front and rear of the car are designed to take the brunt of the force in any impact.

The 807 will also look after you in the event of a side impact. Reinforced side panels mean your family is effectively sheltered from harm within an armoured cell.

And no matter where the danger comes from, you have the reassurance of knowing that front seat belts are equipped with pretensioners and force limiters (they're linked to fasten seat belt indicators too, just to make doubly sure you and your front seat passenger are both secure) and the belts on the two rear side seats are also fitted with pretensioners.

Additional protection is provided by:

- Driver and front passenger air bags designed to inflate to a level that reflects the intensity of the impact.
- Front side air bags which protect the chest pelvis and abdomen of the driver and front seat passenger.
- Front and rear curtain air bags to protect the heads of all passengers seated at the sides of the vehicle.

Got a really tiny VIP on board? No problem. You can fit compatible child seats quickly and easily to any of the ISOFIX anchor points on the rear side seats in the second row.

The 807 can even keep itself safe from unwanted admirers. The long list of security features include an anti-lock picking device, door locks that turn without engaging if anything other than the correct key is inserted, a coded anti-start device, deadlocks plus an ultrasonic alarm<sup>(1)</sup>.

(1) Optional on S, standard on SE and Executive.



To find out more about 807 technology visit [www.peugeot.co.uk](http://www.peugeot.co.uk)



# Driving pleasure as standard

When did driving last make you smile? To create the perfect driving experience, we've combined the most sophisticated electronic and stability systems with powerful, responsive diesel power to give you the kind of superb road-holding and driveability that's sure to keep you entertained on the road.



### 6-speed manual gearbox

Make the most of the 807's power with the 6-speed manual gearbox. The short shift gear lever makes it makes changing gear easier and swifter, so you always feel in control.



### 4-speed autoadaptive gearbox

If your driving style's a little more relaxed, the versatile automatic box should be perfect for you. Put it into automatic mode and it'll select the most appropriate gear for the driving conditions. Put it into sequential mode and one effortless touch on the lever is all it takes to change up or down 'manually' without having to use a clutch.

### 2.0L Petrol

If you prefer the higher rev range of petrol engines, the 807 can be equipped with a 2.0 litre 16v version. This is available with either a 5-speed manual gearbox or 4-speed Porsche Tiptronic System automatic transmission with an auto active mode which adapts to suit your driving style and different road conditions. Whichever option you choose, the engine develops 143 bhp maximum power at 6000 rpm and maximum torque of 150 lb/ft at 4000 rpm.

### HDi 120

This new engine is designed to help you get even more driving pleasure out of your 807. High levels of low-speed torque (maximum power of 120 bhp at 4000 rpm and maximum torque of 225 lb/ft at 2000 rpm) make it easy to get away from the lights and take the strain out of driving in town.

With up to 300 lb/ft of available torque, acceleration is particularly flexible and smooth in 2nd and 3rd gears, so there's plenty of sheer power for you to enjoy. The 807's handling's great too – it feels more like you're driving a saloon car than an MPV. Bring on those twisting bends.

### HDi 136

Looking for an even more involving driving experience? The 136 bhp version has been engineered to give you even more fun for your money. With a capacity of 1997 cm<sup>3</sup>, the HDi 136 develops a maximum power of 136 bhp at 4000 rpm and a maximum torque of 240 lb/ft at 2000 rpm, and 340 lb/ft at 2000 rpm with overboost<sup>(1)</sup>. The additional torque gives you extra kick over 2000 rpm and ensures dynamic performance at all speeds.

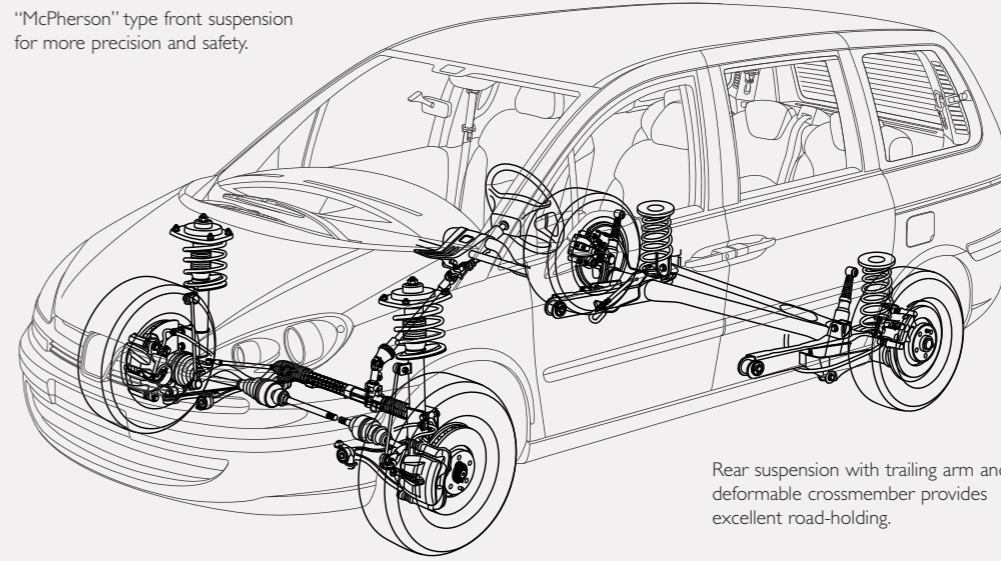
What does that mean once you get behind the wheel? Extra straight line acceleration, easier overtaking and a really entertaining drive.

(1) Temporary additional torque.

### Particle emissions filter (FAP)

A feature on the 807 HDi 136 model, the FAP particulate filter reduces pollution by virtually eliminating particulates and smoke. It's designed to operate under all possible conditions without affecting the performance of the car.

"McPherson" type front suspension for more precision and safety.



Rear suspension with trailing arm and deformable crossmember provides excellent road-holding.

	Fuel consumption MPG (litres/100km)			CO <sub>2</sub> (g/100 km)
	Urban	Extra-urban	Mixed	
2.0 Petrol	23.5(12.0)	38.6(7.3)	31.3(9.0)	213
2.0 Petrol Auto	21.2(13.3)	37.6(7.5)	29.4(9.6)	229
HDi 120	32.1(8.8)	48.7(5.8)	40.9(6.9)	182
HDi 136	31.3(9.0)	47.0(6.0)	39.7(7.1)	188

### Economic, environmentally friendly engines

The 807's diesel engines incorporate HDi technology for cleaner, more fuel efficient motoring. They offer improved performance and reduce fuel consumption, combustion noise and vibrations. Beyond that, the particulate filtering system works to reduce emissions to within measurable limits.



## Get to know the 807 better [www.peugeot.co.uk](http://www.peugeot.co.uk)

So now you've been introduced to the 807. You're sure to have been impressed by its dynamic style, modularity and well-equipped interior, not to mention its high safety standards. And you've had a glimpse of just what it can do on the road.

Along the way, you should also have come to understand how we've used our expertise to develop a car that not only looks great, but combines practicality and comfort with real driveability.

And as part of the journey, you're sure to have gained an insight into the way we think and how our values are continuing to shape the marque. We also hope you've come to trust the quality and value that the Peugeot brand represents.

But the ride doesn't have to stop here. Visit [www.peugeot.co.uk](http://www.peugeot.co.uk) to custom-design and calculate the price of an 807 to suit your driving style. And while you're there, you can also find out more about our dealer network, our service offers and all the latest Peugeot news. Then all you have to do is book a test drive with your nearest Peugeot dealer to open up a whole new style of driving.



## Finishes and trims

With its combination of practicality, drivability and style, the 807 is the ideal choice for most families. But there are still a few special touches you can add to make it perfect for you, from your favourite colour and trim to your choice of wheels. Best of all, while you're increasing its individuality, you could also be raising its value.



## S

- RD4 Radio / CD player
- Front side airbags
- Curtain airbags for all three rows
- Driver and passenger SMART airbags
- Electric heated door mirrors
- ESP (Electronic Stability Control) with CBC (Corner Brake Control)
- Twin sliding doors



Starting Grey cloth

# Finishes and trims

## SE

- Automatic Climate control with individual rear airflow control
- RD4 Radio / CD player with MP3 playback
- Athermic windscreen
- 16" Alloy wheels with tyre pressure sensors
- Cruise control with speed limiter
- Electric sliding doors with remote control operation
- Leather gearknob
- Electrically operated folding door mirrors
- Roof bars
- Boot net



## Executive

- Rear Parking sensors
- RD4 Radio / CD player with MP3 playback
- Automatic headlamps on with time delay security illumination
- Automatic rain sensing front wipers
- Electrochrome rear view mirror
- Electrically operated and heated front seats with temperature regulation and dual position memory function for driver's seat
- Leather steering wheel



Chrome-plated front door sill



Fangorn Grey velour



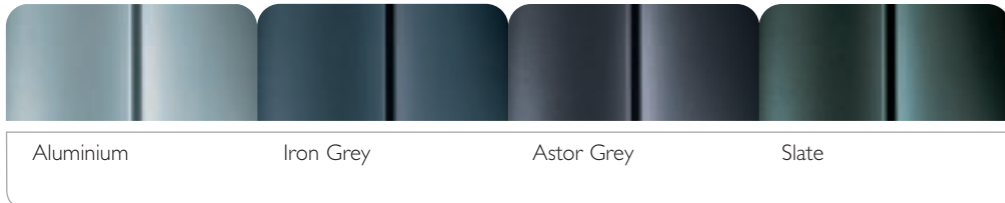
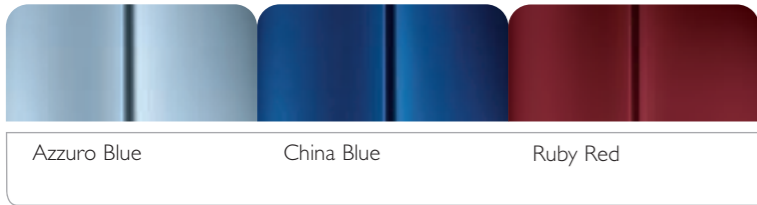
Alcantara/Diamond Zagros cloth



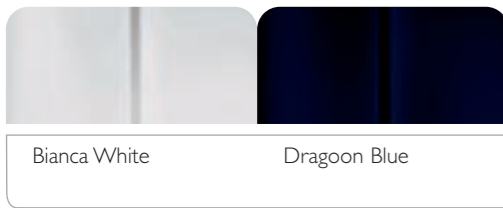
Morning Grey leather (option at extra cost)

# Colours and Dimensions

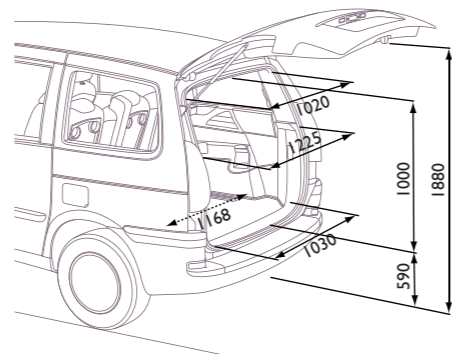
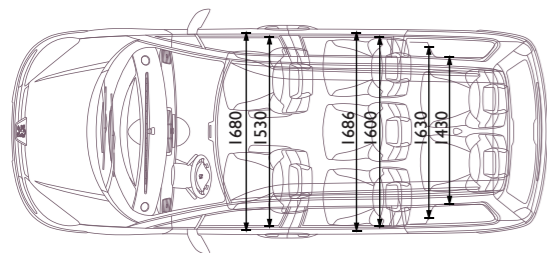
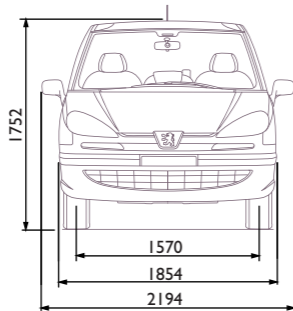
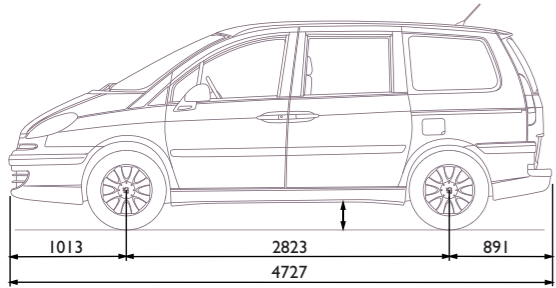
Metallic Colours (optional):



Solid colours:



Please check possible colour/trim combinations with your dealer, and also wheels available according to versions.



16" Anthéor wheel trim (S)



16" Hades alloy wheel (SE and Executive versions)



# Peace of Mind 807

When you choose Peugeot, you have the reassurance of knowing that your vehicle has been designed and manufactured to give you years of worry-free motoring. What's more, as a Peugeot owner, you can rely on a comprehensive range of customer care services from your Dealer. So you can be sure that you're talking to a specialist who'll listen to you, understand your problems and respond efficiently – someone who also has the expertise to maintain your Peugeot correctly, using trained technicians, Peugeot Diagnostic Equipment and Peugeot Original Equipment Parts.



## Peugeot Warranties

As well as the 2 year unlimited mileage manufacturer's Warranty, all vehicles first registered in the UK and purchased from a UK Peugeot Dealer come with a free, optional additional year of Warranty through the Peugeot UK Dealer network. The mileage limit on this additional Warranty is 60,000 miles (100,000 miles for Boxer vans excluding Motorhomes and other converted vehicles) from first registration. At the end of the 3 year Warranty period (or after 60,000 miles) you have the option to purchase a Peugeot Platinum Extended Warranty. Our cars also come with a 12 Year Anti-Perforation and 3 Year Paint Warranty (6 and 2 years on vans). For full terms and conditions on all of these, please contact your Peugeot Dealer.

## Peugeot Assistance

All new Peugeots come with 12 months' Peugeot Assistance – our breakdown assistance service (36 months for the 607). This covers all incidents involving vehicle-based faults for you and anyone else driving your car with your permission. It is available 24/7, 365 days a year.

Peugeot Assistance includes European cover, homestart, roadside assistance, vehicle recovery and a free replacement car or hotel accommodation if required. It can be extended for a further 12 months, or 24 months, and to protect you against non-vehicle faults (such as punctures) at specially discounted rates, by calling **0870 752 7050**.

## Peugeot Service Care

Peugeot vehicles benefit from extended service intervals of up to 20,000 miles or 2 years (12,000 miles for 1.6 HDi diesel and 2.0 litre 180 bhp petrol engines; 10,000 miles or 1 year on the 107). Please refer to the maintenance book for details of the service intervals for specific models.

To minimise the inconvenience often associated with servicing, our Dealers promise to offer you a number of options.

- A while-you-wait service, with a timed appointment.
- Local vehicle collection from your home, or from your work.
- Alternative transport to a train station, home, or work.

- By arrangement, a hire car at a concessionary rate.

What's more, they will aim to ensure that your vehicle is cleaned before you get it back.

## Peugeot Insurance

Peugeot Insurance is designed specifically for Peugeots. It offers tailored cover at a competitive price. Should you be unfortunate enough to be involved in an accident, one of our Peugeot Approved Accident Repair Centres will repair your car, using only Peugeot Original Equipment Parts. We'll even give you a courtesy car while yours is being repaired (depending on availability) when you use an approved repairer. **Why not call Peugeot Insurance now for a quote at 0870 0240 206.**

Peugeot Insurance is underwritten by UK Insurance Limited. Conditions apply.

## Peugeot and the Environment

Our website has full details on all Peugeot products, and offers available in the UK. You'll also find information about our environmental and recycling policies.

## Peugeot Boutique

The Boutique offers a wide choice of original Peugeot merchandise designed to suit your Peugeot and your lifestyle. Be sure not to miss our **Ligne de style** Peugeot merchandise catalogue – it's a great place to look for treats or gifts for any Peugeot owner. To download the latest catalogue visit [www.peugeot.co.uk/merchandise](http://www.peugeot.co.uk/merchandise)

## Peugeot online

Discover more about us at [www.peugeot.co.uk](http://www.peugeot.co.uk)

## About this brochure

The information and images in this brochure are based on the technical data available at the time of printing. All equipment shown is factory fitted, or available as an option at extra cost (depending on model). Where you see a feature described as an option, you should assume that it is available at extra cost, unless specifically stated otherwise. Some feature combinations may not be available in the UK. Also, some photography may feature vehicles which are left hand drive. As part of our policy of continuous specification improvement, Peugeot reserve the right to modify technical equipment, the options available, and colours at any time. For full specification ask your Peugeot Dealer, or click on [www.peugeot.co.uk](http://www.peugeot.co.uk).

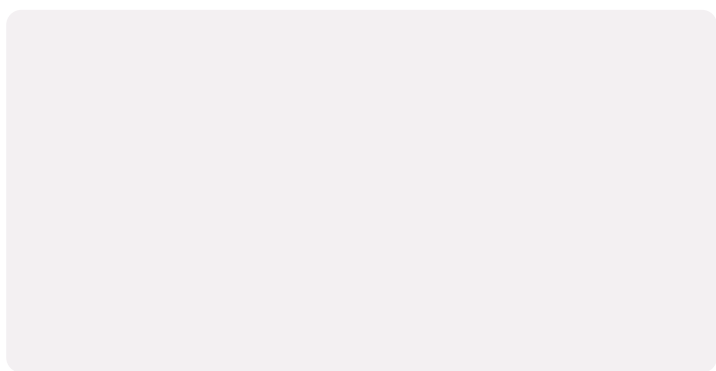
Please note that current print and photographic techniques do not allow us to accurately represent the full depth and tone of the colours available in this brochure.

This brochure is not a contractual document or offer of sale. For current information please contact your authorised Peugeot Dealer. The details in this brochure cannot be reproduced without the expressed authorisation of Peugeot.

Issued by: Sales and Marketing, Peugeot Motor Company plc, Aldermoor House, PO Box 227, Aldermoor Lane, Coventry CV3 1LT. For details of HM Forces tax-free military sales contact: Peugeot Export, 454-490 Mile End Road, London E1 4PE. Telephone: 020 7791 90560. Email: [Peugeot.export@peugeotmail.co.uk](mailto:Peugeot.export@peugeotmail.co.uk). For all other enquiries please call 0845 200 1234 (Calls will be charged at local rate and may be recorded for training or quality purposes.)



For more information visit  
[www.peugeot.co.uk](http://www.peugeot.co.uk)



Dealer stamp



PEUGEOT THE DRIVE OF YOUR LIFE