



Aus Liebe zum Automobil

The Sharan





Contents.

4 – 9 **Quality.**

10 – 13 **Safety.**

14 – 15 **Engines.**

16 – 27 **Equipment.**

18 The Sharan S.

20 The Sharan SE.

22 The Sharan Sport.

24 – 27 Optional equipment.

28 – 33 **Colours and upholstery.**

30 Paint and upholstery.

32 Combinations.

34 – 37 **Engine specifications.**

34 Technical specifications.

38 **Volkswagen service.**

**Model shown is Sport
with optional metallic paint.**



The Sharan.

With the Sharan, you enter a totally new world of driving. One in which travel itself becomes an experience to savour. Driving is no longer a chore because all around you are space, freedom and comfort. In fact, there's ample room for the driver and six adult passengers to sit back, relax and enjoy their individually formed 'business class' seats. But the other beauty of the Sharan is its flexibility – by removing the rear seats you can open up a massive 2,610 cubic litres of storage space.

**Model shown is Sport
with optional metallic paint.**



Engineering for all the family.

As you climb aboard the Sharan, you'll immediately notice three things – space, comfort and quality. Every model in the Sharan range is equipped with five single seats in the rear. And with wide opening doors, it's extremely easy for your passengers to get in and out of the Sharan.

Choose a Sharan and you'll also gain great versatility. Because with a few simple steps you can transform your car from a spacious saloon to a vehicle capable of transporting large, bulky items.

When the rear seats are folded down, a useful table is formed which is ideal for a business meeting or a family picnic. You can even specify 180° rotating front seats* as an optional extra, allowing you to face your companions around a table.

* Not available on automatic models.

01 The middle row of three seats folds down to allow easy access to the two rear seats. Interior shown is the Sport 2.0 litre TDI 140 PS.



01



02

- 01 Luggage can be securely fastened through the pre-fitted tying loops.
- 02 Need room for large, bulky items? Why not use your Sharan?
- 03 Please note that leather upholstery is optional at extra cost, 180° rotating front seats are not available on automatic models. Some parts of leather interior will contain artificial leather.



03

Create your own space.

When you need to transport the bulkiest of items, the Sharan is at your disposal. Its ingenious seats can either fold down or be removed altogether, creating a huge 2,610 cubic litres of capacity, according to ISO 3832. Once removed, the seat sockets have their own covers to help ensure that no luggage will get caught and damaged. It's just another small feature that highlights the attention to detail in the Sharan.

Loading and unloading often means sliding items on the lip of the boot, which can damage the paintwork. Not with the Sharan, as it's fitted with a specially designed loading edge protector.



01 Electronic Stabilisation Programme (ESP) is available as an option on certain engines.

Superior engineering for your safety.

Performance can be viewed in many different ways. Some look for top speed, others seek acceleration statistics. At Volkswagen we also include engine efficiency, roadholding and safety. We believe such a measurement is a more accurate reflection of the Sharan's superior engineering.

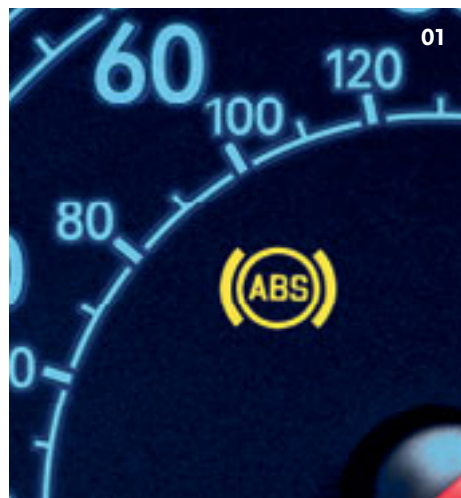
The chassis, for example, is extremely rigid, so that in the event of an accident damage is minimised and controlled around the inner survival zone. Its strength also helps create the kind of roadholding that sets the Sharan apart from the competition.

The chassis works in harmony with the suspension by ironing out uneven road surfaces, providing a smooth ride along a straight road, but also perfect balance through a corner.

Braking is also a feature that we are justifiably proud of in the Sharan. Its short stopping distance is achieved through an advanced Anti-lock Braking System (ABS) that works in conjunction with Electronic Brake-pressure Distribution (EBD). This system regulates the front and rear brake pressure via the ABS system.

Volkswagen's Electronic Stabilisation Programme (ESP) is available as an option on certain engines. This intelligent system detects critical situations developing, such as understeer. It responds in milliseconds by applying the brakes to individual wheels and automatically adjusting the engine's power.

Model shown is Sport with optional metallic paint.



01 The proven safety of ABS (Anti-lock Braking System) is standard on all Sharan models.

02 Front airbags are standard to protect the driver and front seat passenger. The passenger's airbag can also be deactivated using a key operated switch located in the glovebox.

03 Seat-mounted side airbags are also standard, protecting the driver and front passenger from side impact.

04 Middle row, centre seat three-point seat belts are standard on all Sharan models.

05 Curtain airbags help to protect the driver and middle row passenger during a side impact.

06 With front and rear parking sensors you'll have more spaces to choose from. Standard on SE and Sport models.

07 The integrated child seat has three settings suited to children between nine to 18 kg, 15-25 kg and 22-36 kg. We recommend, however, that the child seat only be used by children from the age of two years. The seat shown has been set up for children classified by ECE-R 44 in class one (nine to 18 kg). Please refer to the safety section of the Sharan Owner's Manual for operating instructions. Two integrated child seats are fitted as standard to the Sharan SE in the outer seats of the middle row.

Whilst ABS and optional ESP are active safety features that help you avoid accidents in the first instance, the Sharan is also equipped with many passive safety features. Passive features are there to protect you in the unfortunate event of an accident.

The Sharan's great protection begins with the immense strength built into its design. The crash optimised bodywork was initially conceived by computer simulations to identify the most vulnerable areas. These areas then received added strength, like the vertical fixed supports and columns that are developed to absorb energy. After computer simulations, actual crash test scenarios were performed to verify effectiveness.

When it comes to the highest protection, airbags play an equally important role. Airbags have been one of the most significant safety advancements in recent years and the Sharan not only benefits from driver's and front passenger's airbags with passenger's airbag deactivation switch located in the glovebox, but also front seat side and curtain airbags to provide added protection for the driver and front passenger. Following an accident, airbags activate in milliseconds to cushion the front occupants and minimise any injuries.

The seat belts in the Sharan are designed for maximum comfort and protection. The driver's and front passenger's seat belts are height-adjustable. All seven seats are equipped with three-point belts, with the outer belts on the middle row also being height-adjustable.

Every seat is fitted with an adjustable head restraint, not just for comfort, but as a safety measure in the event of a collision.

Protecting the youngest members of your family receives special attention with integrated child safety seats. These seats take away all the hassle of installing and removing a traditional child seat. Two are fitted as standard to the Sharan SE model (in the outer seats of the middle row) and up to two more can be fitted as an optional extra. On S and Sport models, up to four seats can be fitted as optional extras. There is also the innovative Isofix child seat mounting system which allows the Volkswagen approved Isofix child safety seat to be fixed securely to the Sharan. Please note that the Isofix mounting system is not available with integrated child seats. In addition, all rear doors are fitted with child locks.

Optional on the S and standard on SE and Sport models are front and rear parking sensors. This ingenious system will detect objects located behind your vehicle as well as making parking in the smallest spaces so much easier. Sensors in the front and rear bumpers operate by ultrasound and emit a bleep. As objects get closer, the sound signal becomes more frequent.



- 01 All manual Sharan models feature a six speed gearbox to obtain maximum efficiency from the available power.
- 02 Our highly efficient* 2.0 litre TDI 140 PS engine benefits from turbocharging and 'Pumpe Düse' technology.

Striking the balance between performance and economy.

When you drive a Sharan, you'll experience a method of travel that's hugely different from your average saloon. The Sharan accommodates up to six passengers in refined comfort, yet still cruises effortlessly along a motorway and delivers impressive acceleration and speed when required.

There are three engines available – one petrol and two diesel. The petrol engine is a 2.0 litre 115 PS unit available for the S, which is available as a six speed manual or a four speed automatic gearbox.

Two diesels are available for the Sharan, a 1.9 litre generating 115 PS, or a 2.0 litre 140 PS, both featuring Volkswagen's 'Pumpe Düse' technology that is capable of producing an injection pressure of over 2,000 bar. Both TDI engines produce excellent torque, resulting in good pulling power and reduced CO₂ emissions*.

For those who prefer relaxed driving with automatic transmission, there are two options available to choose from, a four speed automatic for the 2.0 litre petrol engine, or a five speed automatic tiptronic available for the 1.9 litre TDI 115 PS.

Diesels have long been associated with outstanding fuel economy, saving money through more miles per gallon. But have you ever considered a diesel because of its performance? Experience one of the latest generation diesels from Volkswagen and you'll be in for a pleasant surprise. We've patented a number of technological breakthroughs such as the 'Pumpe Düse' injection technique that injects fuel under extreme pressure direct into the combustion chamber. This results in a much more efficient combustion process, thereby combining low fuel consumption with excellent performance. For example, the 2.0 litre TDI 140 PS can reach 119 mph, where the law permits, accelerate from 0 - 62 mph in 12.2 seconds, yet return 42.8 mpg* over the Combined fuel cycle. Air cooling and variable turbo geometry add to its performance capability, allowing a smooth supply of power even at low revolutions.

A further advancement has been a 'pilot injection' system. This ignites a minuscule amount of fuel before the actual combustion and serves to reduce engine noise. It means that the quietness and smoothness of Volkswagen's latest generation diesels makes them hardly distinguishable from a petrol engine.

As part of Volkswagen's continued desire to satisfy European emissions legislation, certain diesel engines are now available with an optional Diesel Particulate Filter (DPF). This is part of the exhaust system responsible for cleaning the exhaust gases before they enter the atmosphere. In addition to converting the harmful exhaust gases in the same way as a conventional catalytic converter, the DPF uses advanced technology to reduce the emission of black smoke and soot. It filters the exhaust gases and particles before they leave the vehicle exhaust system, resulting in a cleaner environment and less pollution entering the atmosphere.

Please note, driving conditions within inner-cities and the Channel Islands may not provide optimum conditions for the use of DPF technology. Therefore, it is advised that you consider this before ordering your vehicle with DPF.

* Please see pages 34 and 35 for CO₂ emissions and fuel consumption figures.



You can fit an enormous amount into the Sharan. Like a comprehensive range of standard equipment.

Model shown is Sport with optional metallic paint.



The Sharan S.

An MPV can provide the space, comfort and practicality required for business needs or the growing family.

The Sharan S features a host of standard features others would class as extras including a coming home lighting function, a cooled glovebox that is also illuminated and lockable and a radio/MP3 compatible CD player with 10 speakers. For added comfort the Sharan is fitted with front and rear electronic climate control which allows the front and rear passengers their own different temperature settings.

Naturally, safety is high on the list of standard equipment too. A curtain airbag system, front seat side impact airbags, driver's and front passenger's airbags with passenger's airbag deactivation switch located inside the glovebox, complemented by a rigid safety cell with front and rear crumple zones and ABS are all standard.

- 01** The radio/MP3 compatible CD player has 10 speakers which provide exceptional sound clarity.
- 02** The multifunction computer displays important data such as outside temperature, fuel consumption, average speed, distance and journey time.
- 03** The body-coloured door mirrors with integrated indicators are also electrically heated and adjustable.
- 04** Front and rear electronic climate control, combined with a dust and pollen filter, gives a pleasant driving environment.
- 05** Model shown is S with optional metallic paint.





- 01** With front and rear parking sensors you'll have more spaces to choose from. Standard on SE and Sport models.
- 02** The integrated child seat has three settings suited to children between nine to 18 kg, 15-25 kg and 22-36 kg. We recommend, however, that the child seat only be used by children from the age of two years. The seat shown has been set up for children classified by ECE-R 44 in class one (nine to 18 kg). Please refer to the safety section of the Sharan Owner's Manual for operating instructions.
- 03** Stylish 'Valencia' 16" alloy wheels with 215/55 tyres are standard on the SE.
- 04** The electric rear vent window, located on the driver's side, can be operated from the comfort of the front seats.
- 05** Interior shown is SE with 'Jet' cloth upholstery.

The Sharan SE.

The Sharan SE builds upon the extensive equipment list of the S, but with enhanced specification. To help make your life that little bit easier we've included front and rear parking sensors and two integrated child seats in the middle row outer seats, and to complement the body-coloured bumpers and door mirrors we have also added 16 inch 'Valencia' alloy wheels.

The standard equipment list continues with electric rear vent window located on the driver's side that can be operated from the comfort of the front seats and heat insulating glass 35% tinted from B pillar backwards.



01



02



03



04



05

The Sharan Sport.

The Sharan Sport epitomises engineering excellence. It manages to combine the practical side of owning an MPV with the style and performance that inspires everyday driving. Its character stems from the powerful 2.0 litre TDI diesel unit which develops 140 PS.

Take one look at the Sharan Sport and its intentions are perfectly clear – 16 inch 'Lisbon' alloy wheels, sports suspension, black bumper strips and side bump strips with chrome inserts and front fog lights create a distinctive appearance. The Sport's interior is enhanced with height-adjustable front sports seats with lumbar support, five rear sports seats, 'Delta' radio/CD player with 10 speakers, boot-mounted 6 CD autochanger, 'Opera' cloth upholstery, and a leather trimmed steering wheel, gear knob and handbrake grip. But why not make up your own mind with a test drive at your local Volkswagen retailer?

- 01 Interior shown is Sport TDI.
- 02 'Lisbon' 16" alloy wheels with 215/55 tyres are standard on the Sport.
- 03 Black bumper strips and side bump strips with chrome inserts combined with front fog lights enhance the Sport's exterior.
- 04 The 'Delta' radio/CD with 10 speakers provides excellent acoustics for all occupants.
- 05 The boot-mounted 6 CD autochanger provides hours of uninterrupted listening pleasure.



Choices are never easy, but they're so much better when it's the right one.

Model shown is SE with optional metallic paint.



01

Cruise control

For relaxed motorway driving, cruise control is the perfect answer. Operational at speeds above approximately 20 mph, the system can be set to maintain a constant speed.

Automatic dimming rear-view mirror

The automatic dimming rear-view mirror is designed to stop you becoming dazzled from behind. If light is judged excessive, it will darken.

Alloy wheels

A choice of alternative designs are available to create a distinctive and individual finish to your Sharan. All wheels are designed and constructed to the highest standards and are fitted with anti-theft wheel bolts.



02

Navigation/radio systems

Available as a factory-fitted option at extra cost on Sport models, the combined satellite navigation and radio unit with colour screen offers route guidance via the display of road maps, route information, spoken instructions and visual arrow symbols in the centre of the instrument panel. Radio functions and control of the Sport's six CD boot-mounted autochanger are also provided. The navigation CD reader is mounted in the top of the unit. Please note that the unit will only accept navigation CDs and NOT audio CDs.

Alternatively for Sport models, you can choose the monochrome navigation system, radio and CD player in one unit. Route guidance is supplied via arrow symbols in both the unit and a display in the centre of the instrument panel together with audible recommendations. The CD slot can be used for music CDs when the navigation system is not in use. In addition, this system will also operate the Sport's six CD autochanger.



05



06



03



04

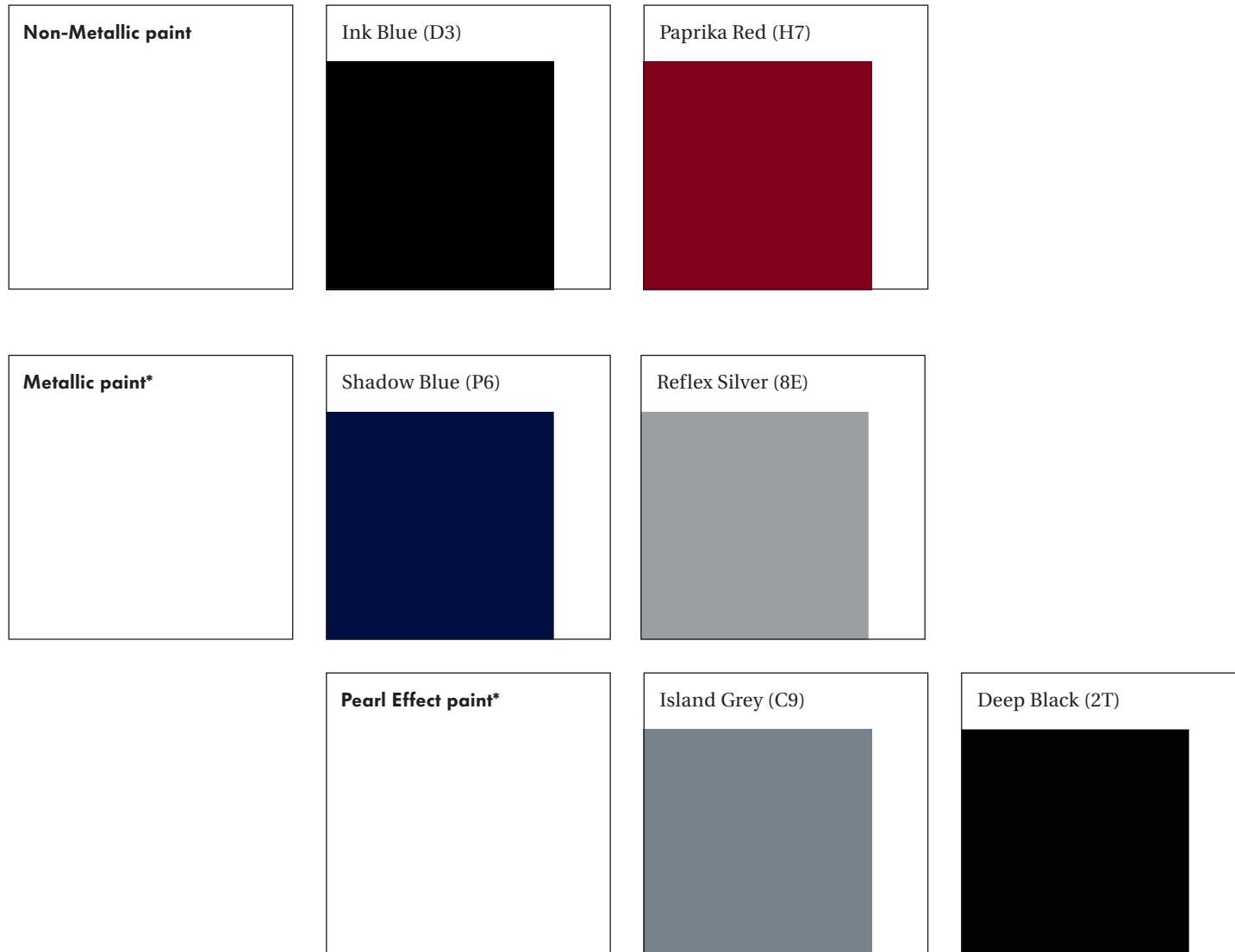
- 01 Cruise control helps take the strain out of long journeys.
- 02 The automatic dimming interior rear-view mirror darkens if a following car's lights are too high.
- 03 Stylish 16" 'Seville' alloy wheels with 215/55 R16 tyres and anti-theft wheel bolts.
- 04 Sporty 17" 'Torino' alloy wheels with 225/45 R17 tyres and anti-theft wheel bolts.
- 05 Radio and satellite navigation system with colour screen.
- 06 Navigation, radio and CD player in one unit with monochrome screen.



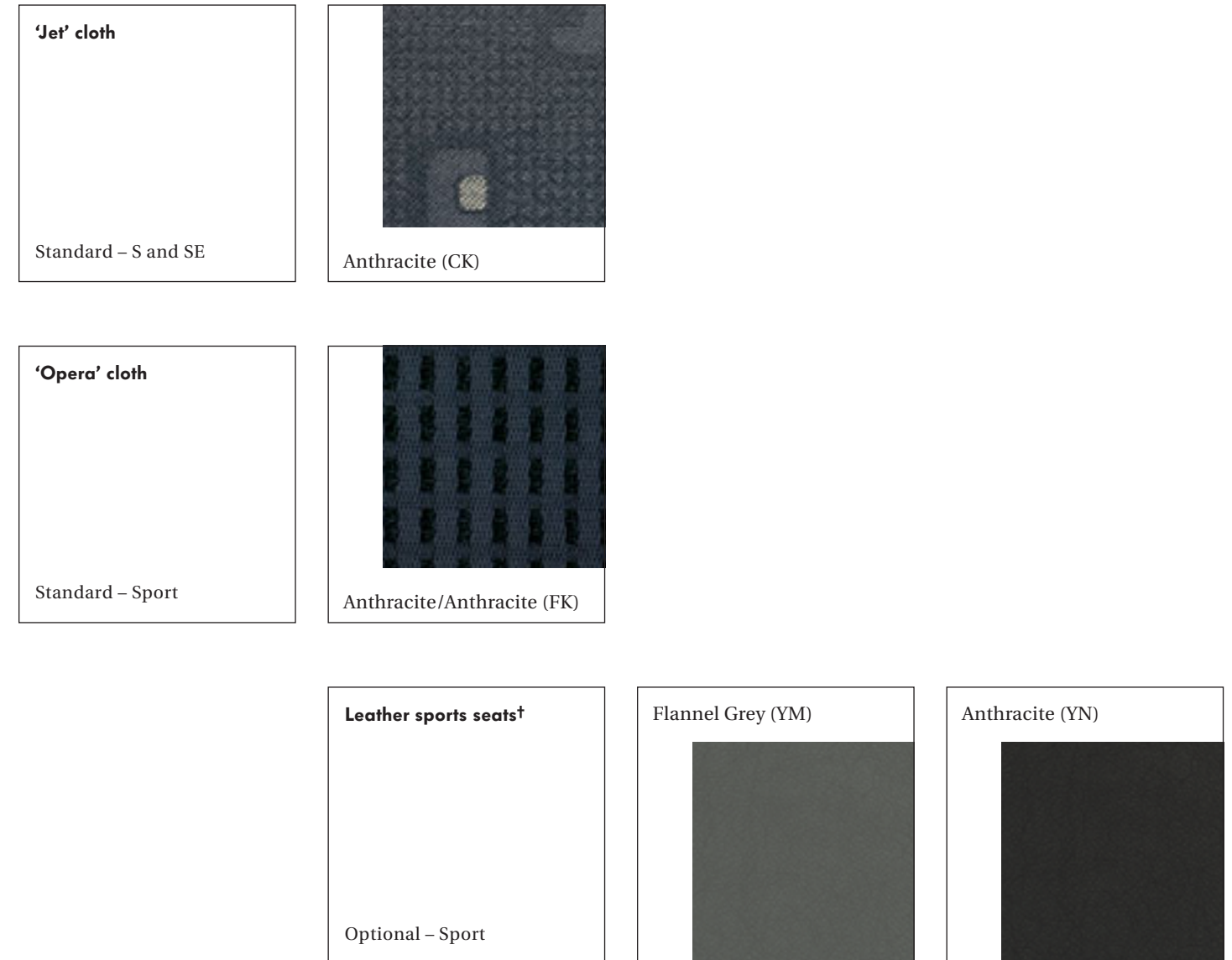
Colours to fire your imagination.

Model shown is S with optional metallic paint.

Paint.



Upholstery.



* Metallic and pearl effect paint are optional at extra cost.

† Leather upholstery is optional at extra cost. Some parts of leather interior will contain artificial leather.

Please note: The print processes do not allow exact reproduction of the paint and upholstery colours.

Combinations.

	Seat upholstery	Dashboard – top/bottom	Carpets	Ink Blue (D3)	Paprika Red (H7)	Shadow Blue metallic (P6) *	Reflex Silver metallic (8E) *	Island Grey pearl effect (C9) *	Deep Black pearl effect (2T) *
‘Jet’ cloth upholstery Standard on S and SE	Anthracite (CK)	Anthracite/Anthracite	Anthracite	●	●	●	●	●	●
‘Opera’ cloth upholstery Standard on Sport	Anthracite/Anthracite (FK)	Anthracite/Anthracite	Anthracite	●	●	●	●	●	●
Leather sports seats† Optional on Sport	Flannel Grey (YM)	Anthracite/Flannel Grey	Flannel Grey	○	○	○	○	○	○
	Anthracite (YN)	Anthracite/Anthracite	Anthracite	○	○	○	○	○	○

* Metallic and pearl effect paint are optional at extra cost.
 † Leather upholstery is optional at extra cost. Some parts of leather interior will contain artificial leather.

Technical specification.

		S 2.0 litre 115 PS	S, SE 1.9 litre TDI 115 PS	S, SE, Sport 2.0 litre TDI 140 PS	
Engine	Engine type	Four cylinder in-line – petrol	Four cylinder in-line – diesel	Four cylinder in-line – diesel	
	Cubic capacity, ltrs/cc	2.0/1984	1.9/1896	2.0/1968	
	Max. output, PS ⁽⁰¹⁾ /kW at rpm	115/85 5200	115/85 4000	140/103 4000	
	Max. torque, lbs.ft/Nm at rpm	125/170 2600	229/310 1900	229/310 1900	
	Gearbox	Six speed manual Four speed auto	Six speed manual Five speed auto tiptronic	Six speed manual –	
Weights, kgs	With manual gearbox:				
	Unladen weight ⁽⁰²⁾	1676	1706	1722	
	Gross vehicle weight	2430	2510	2510	
	Payload ⁽⁰²⁾	754	804	788	
	Axle load limit: Front	1210	1240	1240	
	Rear	1280	1280	1280	
	With automatic gearbox:				
	Unladen weight ⁽⁰²⁾	1696	1739	–	
	Gross vehicle weight	2450	2510	–	
	Payload ⁽⁰²⁾	754	771	–	
Axle load limit: Front	1240	1260	–		
Rear	1280	1280	–		
Trailer load limits, kgs ⁽⁰³⁾	Braked 12% incline	1800	2000	2000	
	Unbraked	700	700	700	
	Towbar load limit	85	85	85	
	Max. roof load	75	75	75	
Performance	Top speed (where the law permits), mph (km/h) – manual gearbox – automatic gearbox	110 (177) 107 (173)	112 (181) 110 (177)	119 (192) –	
	Acceleration, secs 0 - 62 mph – manual gearbox – automatic gearbox	15.2 17.2	13.7 15.1	12.2 –	
	ABI insurance group	11	12	12	
Environmental information	Fuel grade, minimum	Unleaded, 95 RON ⁽⁰⁴⁾	Diesel ⁽⁰⁵⁾ Non DPF	Diesel ⁽⁰⁶⁾ Non DPF	Diesel ⁽⁰⁶⁾ DPF
	Fuel tank capacity, galls/ltrs	15.4/70	15.4/70	15.4/70	15.4/70
	Official fuel consumption – with manual gearbox, mpg/ltr per 100 km ⁽⁰⁷⁾				
	Urban	22.1/12.8	35.3/8.0	34.0/8.3	32.8/8.6
	Extra-urban	38.2/7.4	50.4/5.6	49.6/5.7	48.7/5.8
	Combined	30.1/9.4	43.5/6.5	42.8/6.6	41.5/6.8
	Official CO ₂ emission, g/km ⁽⁰⁸⁾	223	172	175	180
	Official fuel consumption – with automatic gearbox, mpg/ltr per 100 km ⁽⁰⁷⁾				
	Urban	19.9/14.2	28.2/10.0	–	–
	Extra-urban	34.9/8.1	47.9/5.9	–	–
	Combined	27.2/10.4	38.2/7.4	–	–
	Official CO ₂ emission, g/km ⁽⁰⁸⁾	250	196	–	–
	Emission class	EURO 4	EURO 4	EURO 4	EURO 4
Noise, dB – manual gearbox – automatic gearbox	74 73	74 73	75 –	75 –	
Max. luggage capacity, litres VDA measuring method using 200 x 100 x 50 mm blocks	Without rear seats, loaded to the roof	2610	2610	2610	
	Without third row of seats	852	852	852	
	With third row of seats	256	256	256	

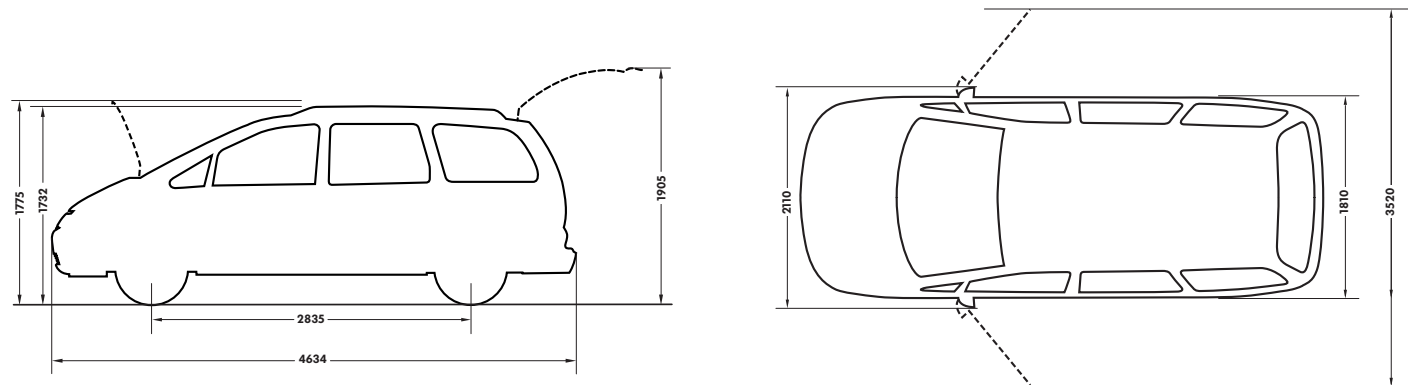
Technical specification.

- 01) The maximum power output figures are quoted in PS (or Pferdestärke, which is the metric equivalent of horsepower). To convert from metric to imperial horsepower, divide the PS figure by 1.0139.
- 02) Figures are calculated in accordance with manufacturer's criteria. Vehicle unladen weight ranges with 90% tank capacity without driver (75 kg). The individual unladen weight depends on the specification of the vehicle, this then reduces the possible payload accordingly.
- 03) With increasing altitude the engine performance diminishes. From 1,000 m above sea level and for every 1,000 m thereafter 10% of the vehicle/trailer weight (trailer weight + gross vehicle weight) must be deducted.
- 04) Thanks to the knock control, unleaded four star (at least 95 RON) can be used instead of Super plus unleaded.
- 05) The use of RME and FAME (bio diesel) is not possible.
- 06) The use of bio diesel according to DIN 51606 is possible to about -10°C.
- 07) Official fuel consumption according to EU Directive 99/94. The consumption calculation according to 1999/100/EC is based on the actual unladen weight of the vehicle. Additional specifications can lead to a higher weight class and hence to consumption figures of this higher weight class. The driving style, road and traffic conditions, environmental influences and vehicle condition can in practice lead to consumption figures, which may differ from those calculated with this standard.
- 08) Increased weight of a vehicle, including higher trim levels and the addition of options will have a detrimental influence on the level of fuel consumption and CO₂ emissions produced. The CO₂ and fuel consumption figures are obtained from tests on a representative vehicle of the type, conducted and approved in accordance with Council Directive 80/1268/EEC as amended by Directive 1999/100/EC (or later) on the approximation of the laws of the member states relating to the carbon dioxide emissions and the fuel consumption of motor vehicles.

Dimensions.

Exterior dimensions

Length, mm	4634
Width – excluding door mirrors, mm	1810
Width – opened front doors, mm	3520
Height, mm	1732
Height – opened bonnet/floor, mm	1775
Height – opened tailgate/floor, mm	1905
Wheelbase, mm	2835



All figures in millimetres.

The technology.

Engines

- Front transversely-mounted
- 2.0 litre/115 PS ⁽⁰¹⁾ (85 kW) petrol engine. Four cylinder in-line engine, cast iron cylinder block, two valves per cylinder, electronic individual cylinder injection, programmed ignition with cylinder selective anti-knock control, longlife spark plugs, three-way front catalyst, lambda control.
- 1.9 litre/115 PS ⁽⁰¹⁾ (85 kW) diesel engine. Four cylinder in-line engine, cast iron cylinder block, two valves per cylinder, electronically controlled direct injection with pump injector unit ('Pumpe Düse'), oil cooler, intercooler, exhaust gas recirculation, turbocharger with variable turbine geometry, catalytic converter.
- 2.0 litre/140 PS ⁽⁰¹⁾ (103 kW) diesel engine. Four cylinder in-line engine, cast iron cylinder block, four valves per cylinder, (two valves per cylinder with DPF engine), electronically controlled direct injection with pump injector unit ('Pumpe Düse'), oil cooler, intercooler, exhaust gas recirculation, turbocharger with variable turbine geometry, catalytic converter or catalytic coated diesel particulate filter (DPF).

Transmission

- Front wheel drive
- Six speed manual: 2.0 litre 115 PS, 1.9 litre TDI 115 PS, 2.0 litre TDI 140 PS
- Four speed automatic: 2.0 litre 115 PS
- Five speed automatic tiptronic: 1.9 litre TDI 115 PS

Running gear

- Front axle: McPherson suspension struts with lower wishbones. Anti-roll bar
- Rear axle: Coil springs with telescopic shock absorbers, semi-trailing arms with subframe. Anti-roll bar
- Brake system: ABS with EBD. Diagonally split circuits. Servo assisted. Front: Ventilated discs. Rear: Discs
- Turning circle: 11.9 metres

Steering

- Power-assisted rack and pinion

Volkswagen service for your peace of mind.

The Volkswagen Warranty.

Three-year Warranty.

All Volkswagen Sharans come with a three-year/60,000 miles warranty, which protects your car against the failure of most mechanical and electrical components due to manufacturing defects. This comprises a two-year manufacturer's warranty with unlimited mileage plus a further one-year/60,000 miles (whichever is soonest) Retailer Warranty. Should the mileage exceed 60,000 miles within the first two years, the manufacturer's two-year warranty will still be valid. If an additional warranty for subsequent years or higher mileage is desired, it may be purchased from an authorised Volkswagen retailer or repairer; however, this additional warranty must be purchased before the mileage reaches 60,000*. Full details of the three-year warranty are available from your authorised Volkswagen retailer or repairer.

* All warranty work must be completed by an authorised Volkswagen retailer or repairer.

Three-year Paint Warranty.

The paintwork of the Sharan is covered against manufacturing defects for a period of three years. Naturally, the Sharan must be cared for in compliance with the operating instructions which will be found in your vehicle handbook. Please consult your authorised Volkswagen retailer or repairer for full warranty details.

Six-year Body Protection Warranty.

The internal body sections and panels of the Sharans are covered against rusting through from the inside for six years. Naturally, the Sharan must be cared for in compliance with the operating instructions. Please consult your authorised Volkswagen retailer or repairer for full warranty details.

Service Intervals.

Volkswagen are pleased to offer you a choice on how your Sharan is serviced. The appropriate selection is entirely dependent on how the car is likely to be driven and its general use. To help you identify which type of service would be most suitable, please refer to the following guide.

The Time and Distance Service is recommended for vehicles that will cover less than 10,000 miles in 12 months and if the vehicle is likely to be used in the following way:

- Predominantly urban driving, short journeys with frequent cold starts.
- Activities regularly producing high engine loading, e.g. frequent hill climbs, driving with vehicle fully loaded and towing.
- Uneconomical driving style using high rpms with heavy acceleration and heavy braking.

The service intervals for the Time and Distance Service are as follows:

- Oil change service Every 10,000 miles/1 year (whichever is soonest).
- Inspection service Every 20,000 miles/2 years (whichever is soonest).

The LongLife Service is recommended for vehicles with a daily mileage of more than 25 miles where the vehicle is driven regularly mainly on longer distance journeys. The vehicle is driven mainly at a constant speed with minimum vehicle and engine loading, minimal towing and driven in an economical manner.

With the LongLife Service the vehicle can cover anywhere between 10,000[†] and a maximum of 20,000[†] miles or 24 months (whichever is soonest).

[†] Please note that all mileages are approximate as the service indicator system uses kilometres as the distance measurement.

Please consult your authorised Volkswagen retailer or repairer for advice and full details.

Volkswagen Insurance‡.

Competitive and comprehensive motor insurance designed especially for Volkswagen drivers. All new and Approved Used Volkswagens come with complimentary seven-day cover upon request – we'll e-mail a cover note straight to your retailer, enabling them to tax your car easily. This way, you can drive straight out of the showroom. Taking out annual cover is easy and it can start when the seven-day cover expires. For more information contact your local Volkswagen retailer or call 0800 051 3136.

‡ Volkswagen Insurance is underwritten and administered by Zurich Insurance Company. Volkswagen Insurance is a trading name of Volkswagen Insurance Service (Great Britain) Limited which is an appointed representative of Volkswagen Financial Services (UK) Limited. Zurich Insurance Company and Volkswagen Financial Services (UK) Limited are both authorised and regulated by the Financial Services Authority.

Approved Accessories.

A comprehensive range of accessories from alloy wheels to carpet mats is available to complement the factory-fitted option list. Volkswagen approved accessories purchased from and fitted by your authorised Volkswagen retailer at the point of vehicle sale will also benefit from the three-year vehicle warranty.

Extended Warranty.

You may purchase additional protection from your authorised Volkswagen retailer or repairer, or contact 0870 9000 115.

Volkswagen Finance±.

Volkswagen Finance specialises in providing funding solutions for Volkswagen drivers. Whether your Volkswagen is for private or business use, you can choose from a range of funding options.

- Solutions – a personal contract plan
- Hire purchase
- Lease purchase
- Finance lease
- Contract hire

With all Volkswagen Finance products you can choose a fixed-cost maintenance plan to help you budget for your servicing and maintenance costs.

No matter what finance product you choose, your local Volkswagen retailer will be able to provide you with a personalised quote that could meet your budget and vehicle needs.

± Volkswagen Finance is a trading name of Volkswagen Financial Services (UK) Limited. An offer of finance depends on certain conditions. Available to people over 18 in the UK only.

Volkswagen Roadside Assistance.

Every new car is registered for Volkswagen Roadside Assistance for one year. This provides vehicle home and roadside recovery in the unlikely event of a breakdown in the UK and Europe (subject to conditions). Volkswagen Roadside Assistance can also be purchased for subsequent years. For full details, please contact your authorised Volkswagen retailer or repairer.

Tax Free Sales.

For full details, please contact your authorised Volkswagen retailer.

CO₂ Emission.

Increased weight of a vehicle, including higher trim levels and the addition of options will have a detrimental influence on the level of fuel consumption and CO₂ emissions produced.

The CO₂ and fuel consumption figures are obtained from tests on a representative vehicle of the type, conducted and approved in accordance with Council Directive 80/1268/EEC as amended by Directive 1999/100/EC (or later) on the approximation of the laws of the member states relating to the carbon dioxide emissions and the fuel consumption of motor vehicles.

Please Note:

Some illustrations in this brochure do not necessarily reflect UK specifications and may not be available. In particular, controls and some items of equipment are positioned differently for the UK.

The specifications contained in this brochure are for information purposes only and are subject to change. If you require any specific feature, you must consult your authorised Volkswagen retailer who is regularly updated with any change in specification. Please check model availability and full specification details with your authorised Volkswagen retailer prior to ordering.

Note: We would like to advise you that telephone calls to Volkswagen Customer Care may be monitored and recorded as part of our training and quality assurance processes. All our monitoring and recording processes meet Ofcom regulations.

The Sharan

Volkswagen Information Service. Telephone 0800 333 666

Internet: www.volkswagen.co.uk

© Volkswagen Group United Kingdom Limited 2007.

Issue: 1 July 2007. Printed in UK.

PVW000NSB