

# VOLVO C70 PRICING



# THE ALL-NEW VOLVO C70

The Volvo C70 was styled as a coupé but designed to be a convertible. Equally stunning whether the roof is up or down, the transition from sporty coupé to luxury convertible takes less than 30 seconds. With three distinctive trim levels to choose from and a Dynaudio sound system, the all-new Volvo C70 is not for the shy and retiring.

## DYNAUDIO

Concert-hall sound experience courtesy of high performance loudspeakers, advanced sound processor and 910 watts of output power.

## RETRACTABLE HARD TOP

The contemporary three-piece retractable hard top delivers several benefits over a soft-top design; from providing comfortable and spacious seating for four adults, to a warm and cocooned environment in the depths of mid-winter; the elegant and distinctive configuration enables you to enjoy your Volvo C70 all year round, whatever the weather.

### C70 SPORT

The Sport model specification includes ECC (Electronic Climate Control), 17" Syrma polished alloy wheels, DSTC (Dynamic Stability and Traction Control), power windows, cruise control, leather sports steering wheel and gear knob with aluminium inserts, steering wheel remote audio controls, aluminium trim, 6-speaker radio/CD system and front fog lights.

### C70 SE

The SE model brings added luxury to the Volvo C70. Power driver's seat, leather-faced upholstery, autodimming rear view mirror, leather steering wheel and gear knob with wood effect inserts, wood trim and 8-speaker 6 x CD/radio system are just some of the standard SE features.

### C70 SE LUX

The SE Lux model is the ultimate choice. Dynaudio Premium Sound System, power folding door mirrors with ground lights, power passenger seat, subwoofer and 18" Mirzam alloy wheels are all included in this top-of-the-range model.

<b>CHOOSE YOUR VOLVO</b>	<b>2-3</b>
<b>STANDARD EQUIPMENT</b>	<b>4</b>
<b>OPTIONS</b>	<b>5</b>
<b>ACCESSORIES &amp; UPHOLSTERY</b>	<b>6-7</b>
<b>TECHNICAL SPECIFICATION</b>	<b>8-9</b>
<b>CHOOSE YOUR COLOUR</b>	<b>10</b>
<b>CARE BY VOLVO</b>	<b>11</b>

CHOOSE YOUR VOLVO

WHETHER YOU DESIRE PULSE-RACING PERFORMANCE OR OUTSTANDING FUEL ECONOMY, YOUR WISH IS OUR COMMAND.

	Basic £	VAT £	Rec Retail Price £	On the Road Price £	On the Road Price € <sup>(i)</sup> Euros
<b>PETROL</b>					
2.4i Sport	£21,716.60	£3,800.40	£25,517.00	£26,225.00	€38,524.53
T5 Sport	£24,503.83	£4,288.17	£28,792.00	£29,500.00	€43,335.50
<b>DIESEL</b>					
D5 Sport (Geartronic)	£24,431.49	£4,275.51	£28,707.00	£29,420.00	€43,217.98

	Basic £	VAT £	Rec Retail Price £	On the Road Price £	On the Road Price € <sup>(i)</sup> Euros
<b>PETROL</b>					
2.4i SE	£22,780.43	£3,986.57	£26,767.00	£27,475.00	€40,360.78
T5 SE	£25,567.66	£4,474.34	£30,042.00	£30,750.00	€45,171.75
<b>DIESEL</b>					
D5 SE (Geartronic)	£25,495.32	£4,461.68	£29,957.00	£30,670.00	€45,054.23

	Basic £	VAT £	Rec Retail Price £	On the Road Price £	On the Road Price € <sup>(i)</sup> Euros
<b>PETROL</b>					
2.4i SE Lux	£24,908.09	£4,358.91	£29,267.00	£29,975.00	€44,033.28
T5 SE Lux	£27,695.32	£4,846.68	£32,542.00	£33,250.00	€48,844.25
<b>DIESEL</b>					
D5 SE Lux (Geartronic)	£27,622.98	£4,834.02	£32,457.00	£33,170.00	€48,726.73



(i) Euro prices shown are calculated using an exchange rate of 1.469 Euros to the £, as published in the Financial Times on 1st March 2006.

Euro prices will be subject to the prevailing exchange rate at the time of purchase. These figures are for information purposes only.

(ii) Dolby and Pro Logic Surround Sound™ are trademarks of the Dolby Laboratories Licensing Corporation.

	SPORT	SE	SE LUX
<b>SAFETY &amp; SECURITY</b>			
Dual Stage Driver and Passenger Airbags	•	•	•
SIPS (Side Impact Protection System)	•	•	•
SIPS Airbags	•	•	•
IC (Inflatable Curtain – Door Mounted)	•	•	•
ROPS (Roll Over Protection System)	•	•	•
WHIPS (Whiplash Protection System)	•	•	•
ABS (Antilock Brakes) with EBD (Electronic Brake Distribution) and EBA (Electronic Brake Assistance)	•	•	•
DSTC (Dynamic Stability and Traction Control)	•	•	•
ISOFIX Attachment (Rear Seats)	•	•	•
4 Three Point Seat Belts	•	•	•
Seat Belt Pre-tensioners (Front and Rear)	•	•	•
Head Restraints – All 4 Seats	•	•	•
Anti-theft Alarm including Immobiliser, Volume Sensor and Level Sensor	•	•	•
Key Integrated Remote Control Central Locking including Fuel Flap with Deadlocking System	•	•	•
Tinted Windows	•	•	•
Visible VIN Plate	•	•	•
Day Running Lights	•	•	•
Headlamp Levelling System	•	•	•
High Level LED Brake Light	•	•	•
Side Marker Illumination	•	•	•
Home Safe and Approach Lighting	•	•	•
Level Sensor	•	•	•
<b>INTERIOR</b>			
ECC (Electronic Climate Control) with AQS (Air Quality System) and Pollen Filter	•	•	•
Exterior Temperature Gauge	•	•	•
Information Centre	•	•	•
Cruise Control	•	•	•
Front and Rear Power Windows	•	•	•
Power Adjustable and Heated Door Mirrors	•	•	•
Power Folding Door Mirrors with Ground Lights	•	•	•
Illuminated Driver and Passenger Vanity Mirrors	•	•	•
Front and Rear Reading Lights	•	•	•
Autodimming Rear View Mirror	•	•	•
Front and Rear Cupholders with Sliding Cover	•	•	•
Cargo Net	•	•	•
Ski Bag	•	•	•
Rear 12v Socket	•	•	•
Power Driver's Seat (with Seat Memory)	•	•	•
Power Passenger Seat	•	•	•
Forward Folding Front Passenger Seat	•	•	•
Height Adjustable Driver and Passenger Seats with Lumbar Support	•	•	•
Front Centre Armrest	•	•	•
Aluminium Trim, including Leather Sports Steering Wheel and Gear Knob with Aluminium Insert	•	•	•
Wood Effect Trim, including Leather Sports Steering Wheel and Gear Knob with Wood Effect Insert	•	•	•
Steering Wheel Remote Audio Controls	•	•	•
Height and Reach Adjustable Steering Column	•	•	•
Haverdal Leather/T-Tec Sports Upholstery	•	•	•
Leather-faced Upholstery	•	•	•
Performance Sound Audio System – CD/Radio, 4 x 20W Amplifier and 6 Speakers	•	•	•
High Performance Sound Audio System – 6 x CD Radio, 4 x 40W Amplifier, Aux Input and 8 Speakers	•	•	•
Dynaudio Premium Sound Audio System – with Dolby Pro Logic II Surround Sound <sup>(6)</sup> , 4 x 130W + 1 x 130W Amplifier, Aux Input, 6 x CD, 2 x 130W Subwoofer and 12 Speakers	•	•	•
<b>EXTERIOR</b>			
17" Syrma (Polished) Alloy Wheels – 235/45 R17 Tyres	•	•	•
17" Sadira Alloy Wheels – 215/50 R17 Tyres	•	•	•
18" Mirzam Alloy Wheels – 235/40 R18 Tyres	•	•	•
Locking Wheel Nuts	•	•	•
Tyre Sealant Kit and Compressor	•	•	•
Front Fog Lights	•	•	•
Speed Dependent Interval Wiper Function	•	•	•
Rain Sensor	•	•	•
Rally Bar (Front Strut Stiffener) (T5 and D5 only)	•	•	•
Grey Sill Covers with Stainless Steel Step Covers	•	•	•
RHT (Retractable Hard Top)	•	•	•

<b>SAFETY &amp; SECURITY</b>	<b>Basic £</b>	<b>VAT £</b>	<b>Rec Retail Price £</b>	<b>Rec Retail Price €<sup>(i)</sup></b>	<b>SPORT</b>	<b>SE</b>	<b>SE LUX</b>
Passenger Airbag Cut Off Switch	£21.28	£3.72	£25.00	€36.28	o	o	o
<b>INTERIOR</b>	<b>Basic £</b>	<b>VAT £</b>	<b>Rec Retail Price £</b>	<b>Rec Retail Price €<sup>(i)</sup></b>	<b>SPORT</b>	<b>SE</b>	<b>SE LUX</b>
Geartronic Transmission (STD D5)	£1,063.83	£186.17	£1,250.00	€1,813.75	o	o	o
Power Folding Door Mirrors with Ground Lights	£170.21	£29.79	£200.00	€290.20	o	o	•
Power Driver's Seat (with Seat Memory)	£468.09	£81.91	£550.00	€798.05	o	•	•
Power Driver and Passenger Seats (with Driver's Seat Memory)	£936.17	£163.83	£1,100.00	€1,596.10	o	u (£550)	•
Aluminium Trim, Leather Sports Steering Wheel and Gear Knob with Aluminium Insert	-	-	-	-	•	nco	nco
Leather-faced Upholstery	£510.64	£89.36	£600.00	€870.60	o	•	•
High Performance Sound Audio System – 6 x CD Radio, 4 x 40W Amplifier, Aux Input and 8 Speakers	£553.19	£96.81	£650.00	€943.15	o	•	n/a
Dynaudio Premium Sound Audio System – with Dolby Pro Logic II Surround Sound <sup>(ii)</sup> , 4 x 130W + 1 x 130W Amplifier, Aux Input, 6 x CD, 2 x 130W Subwoofer and 12 Speakers	£1,489.36	£260.64	£1,750.00	€2,539.25	o	u (£1,100)	•
RTI Navigation System with RDS-TMC and Europe DVD Maps	£1,574.47	£275.53	£1,850.00	€2,684.35	o	o	o
Dual Band Integrated GSM Telephone	£425.53	£74.47	£500.00	€725.50	o	o	o
<b>EXTERIOR</b>	<b>Basic £</b>	<b>VAT £</b>	<b>Rec Retail Price £</b>	<b>Rec Retail Price €<sup>(i)</sup></b>	<b>SPORT</b>	<b>SE</b>	<b>SE LUX</b>
Black Paint	£212.77	£37.23	£250.00	€362.75	o	o	o
Metallic/Pearlescent Paint	£446.81	£78.19	£525.00	€761.78	o	o	o
PremAir <sup>®</sup> Treated Radiator (converts up to 60% of ground-level ozone to oxygen)	£127.66	£22.34	£150.00	£217.65	o	o	o
17" Sadira Alloy Wheels – 215/50 R17 Tyres	-	-	-	-	n/a	•	nco
17" Syrma (Polished) Alloy Wheels – 235/45 R17 Tyres	£191.49	£33.51	£225.00	€326.48	•	o	nco
18" Mirzam Alloy Wheels – 235/40 R18 Tyres	£425.53	£74.47	£500.00	€725.50	nco	o	•
Tempa Spare Wheel and Jack Kit	-	-	-	-	nco	nco	nco
Rear Park Assist	£297.87	£52.13	£350.00	€507.85	o	o	o



17" Syrma



17" Sadira



18" Mirzam

	<b>Basic £</b>	<b>VAT £</b>	<b>Rec Retail Price £</b>	<b>Rec Retail Price €<sup>(i)</sup></b>	<b>SPORT</b>	<b>SE</b>	<b>SE LUX</b>
<b>WINTER PACK</b>							
Heated Front Seats, Headlamp Cleaning System and Luxury Floor Mats	£319.15	£55.85	£375.00	€544.13	o	o	o
<b>BI-XENON PACK</b>							
Bi-Xenon Headlamps, Headlamp Cleaning System, Heated Front Seats and Luxury Floor Mats	£723.40	£126.60	£850.00	€1,233.35	o	o	o
<b>COMMUNICATIONS PACK</b>							
Volvo On Call <sup>(iii)</sup> , Dual Band Integrated GSM Telephone and RTI Navigation System with RDS-TMC, Remote Control and DVD Maps	£1,829.79	£320.21	£2,150.00	€3,119.65	o	o	o
<b>CONVENIENCE PACK</b>							
Autodimming Rear View Mirror, Power Folding Door Mirrors with Ground Lights, Rain Sensor, Ski Bag and Cargo Net	£468.09	£81.91	£550.00	€798.05	o	u (£350)	•

• = standard, o = optional, nco = no cost option, u (£) = upgrade.

(i) Euro prices shown are calculated using an exchange rate of 1.69 to the £ as published in the Financial Times on 1st March 2006.

Euro prices are subject to the prevailing exchange rate at time of purchase. These figures are for information purposes only.

(ii) Dolby and Pro Logic Surround Sound™ are trademarks of Dolby Laboratories Licensing Corporation.

(iii) Volvo On Call includes Safety package (Security package available at additional cost).

ACCESSORIES	Basic £	VAT £	Rec Retail Price £	Rec Retail Price € <sup>(1)</sup>
<b>EXTERIOR ACCESSORIES (PRICES EXCLUDE FITTING UNLESS SHOWN OTHERWISE)</b>				
Bike Rack (towbar mounted and collapsible)	£285.64	£49.99	£335.63	€493.04
Bike Carrier – extra bicycle towbar mounted	£68.66	£12.02	£80.68	€118.51
Snow Chain, standard	£136.43	£23.88	£160.31	€235.49
Towbar – Detachable type with 7 Pin Electrics	£406.00	£71.05	£477.05	€700.79
Towbar – Detachable type with 13 Pin Electrics	£461.00	£80.68	£541.68	€795.72
Rear Park Assist	£289.36	£50.64	£340.00	€499.46 <sup>(1)</sup>
Front Park Assist	£325.73	£57.00	£382.73	€562.23 <sup>(1)</sup>
Bumper Cover, rear bumper	£44.87	£7.85	£52.72	€77.45
Dirt Cover, complete	£130.59	£22.85	£153.44	€225.41
Dirt Cover, cable lock	£18.91	£3.31	£22.22	€32.64
<b>INTERIOR ACCESSORIES (PRICES EXCLUDE FITTING UNLESS SHOWN OTHERWISE)</b>				
Boot Mat – textile/rubber reversible	£85.98	£15.05	£101.03	€148.41
Coin Compartment	£13.36	£2.34	£15.70	€23.06
Hands Free for Mobile Telephone ...from	£302.78	£52.99	£355.77	€522.62 <sup>(1)</sup>
Bluetooth Hands Free System ...from			available quarter 2 2006	
First Aid Kit	£17.19	£3.01	£20.20	€29.67
Padded Neck Cushion	£22.74	£3.98	£26.72	€39.25
Rubber Floor Mats (set of four)	£44.69	£7.82	£52.51	€77.14
Textile Floor Mats (set of four)	£69.11	£12.09	£81.20	€119.29
Sport Mats (set of four)	£66.40	£11.62	£78.02	€114.61
Warning Triangle	£20.37	£3.56	£23.93	€35.16
Windblocker	£212.78	£37.24	£250.02	€367.27
Ski Bag Holder	£116.68	£20.42	£137.10	€201.40
Spare Wheel Storage Cavity Organiser	£53.85	£9.42	£63.27	€92.95
Rear Seat Guard	£90.20	£15.79	£105.99	€155.69
Sunglasses Holder	£31.41	£5.50	£36.91	€54.22

<sup>(1)</sup> Indicates total fitted price post registration. At participating dealers only.

UPHOLSTERY	Upholstery Code	Upholstery Colour and Door Insert Colour	Dashboard Top & Upper Door Panel	Lower Door Panel, Lower Dashboard, Carpet & Tunnel Console	Headliner Colour
Haverdal Leather T-Tec	5671	Quartz Beige	Off Black	Off Black	Quartz Beige
	5677	Off Black	Off Black	Off Black	Quartz Beige
	5681	Quartz Beige	Off Black/Umbra Brown	Quartz Beige	Quartz Beige
Leather-faced	5871	Quartz Beige	Off Black	Off Black	Quartz Beige
	5877	Off Black	Off Black	Off Black	Quartz Beige
	5879	Cacao Brown	Off Black	Off Black	Quartz Beige
	5881	Quartz Beige	Off Black/Umbra Brown	Quartz Beige	Quartz Beige
	5884	Calcite Cream	Off Black/Umbra Brown	Quartz Beige	Quartz Beige
	5889	Cacao Brown	Off Black/Umbra Brown	Quartz Beige	Quartz Beige



# UPHOLSTERY

## HAVERDAL LEATHER T-TEC



Quartz Beige (5671)



Off Black (5677)

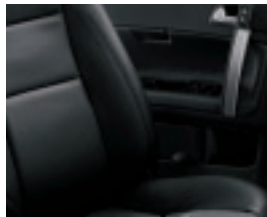


Quartz Beige (5681)

## LEATHER-FACED



Quartz Beige (5871)



Off Black (5877)



Cacao Brown (5879)



Quartz Beige (5881)



Calcite Cream (5884)



Cacao Brown (5889)

# INTERIOR INLAYS



Aluminium



Wood effect

ENGINE	2.4i	T5	D5 Geartronic
Configuration	Transverse – 20 valve	Transverse – 20 valve	Transverse – 20 valve
Cylinders	5	5	5
Engine capacity, cc	2435	2521	2400
Bore x stroke, mm	83 x 90	83 x 93	81 x 93.1
Max. output ECE, PS kw rpm	170 125 6000	220 162 5000	180 132 4000
Max. torque ECE, Nm rpm	230 4400	320 1500-4800	350 1750-3250
Octane rating	95-98 <sup>(iv)</sup> RON unleaded	95-98 <sup>(iv)</sup> RON unleaded	N/A – Turbo Diesel
Fuel system	Multipoint Fuel Injection	Multipoint Fuel Injection	Common Rail Direct Injection
Compression ratio	10.3:1	9.0:1	17.3:1



EXTERIOR (mm)	
A Overall length	4582
B Overall width (inc. wing mirrors)	1820 (1987)
C Unladen height	1400
D Wheelbase length	2640
E Front track width	1550
F Rear track width	1560
G Ground to boot base height	680
H Minimum height clearance for roof operation	1920

PERFORMANCE	2.4i		T5		D5 Geartronic
	Man	Geartronic	Man	Geartronic	
Top speed, mph	137	134	150	146	140
Acceleration 0-60 mph, sec	8.5	9.3	7.0	7.4	8.8
0-62 mph (0-100kmh), sec	9.1	10.0	7.6	8.0	9.5
Drag co-efficient	0.31		0.31		0.31

FUEL CONSUMPTION <sup>(i)</sup>	2.4i		T5		D5 Geartronic
	Man	Geartronic	Man	Geartronic	
(Government Approved) Mpg (l/100km) <sup>(ii)</sup>					
Urban	21.9 (12.9)	20.5 (13.8)	21.6 (13.1)	19.2 (14.7)	28.0 (10.1)
Extra Urban	42.2 (6.7)	40.4 (7.0)	42.2 (6.7)	40.4 (7.0)	49.6 (5.7)
Combined	31.4 (9.0)	29.4 (9.6)	31.0 (9.1)	28.8 (9.8)	38.7 (7.3)
CO <sub>2</sub> g/km	215	229	217	234	193
VED (Vehicle Excise Duty) Band	F	G	F	G	F
Emission Standard	Euro IV	Euro IV	Euro IV	Euro IV	Euro IV

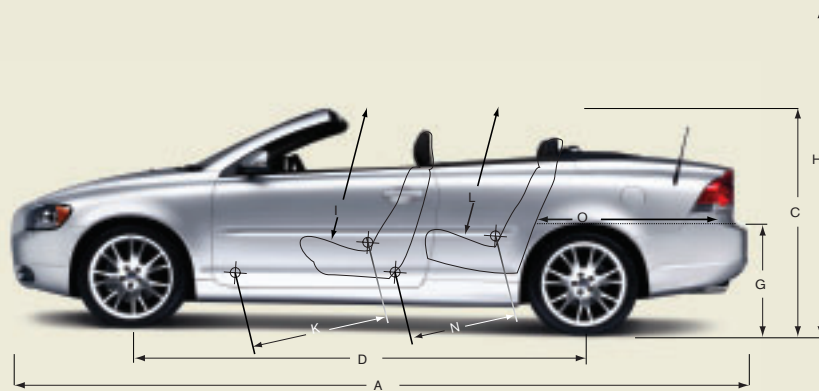


INSURANCE GROUPS		2.4i	T5	D5 Geartronic
Volvo C70	Sport	15E	17E	TBC
	SE	15E	17E	TBC
	SE Lux	16E	17E	TBC

E = Exceeds security requirements for model concerned and group rating has been reduced.

WEIGHTS	2.4i		T5		D5
	Man	Geartronic	Man	Geartronic	
Min. kerb weight, kg (actual kerb weight dependent on spec.)	1623	1646	1645	1651	1684
Max. possible towing weight braked, kg	1500	1500	1500	1500	1500
Max. towing weight unbraked approx, kg <sup>(iii)</sup>	750	750	750	750	750
Max. total weight, kg	2070	2090	2090	2100	2150
Max. payload, kg (dependent on spec.)	380	380	380	380	400

INTERIOR (mm)	
I Front seat max. headroom	970
J Front seat width	1361
K Front seat max. legroom	1074
L Rear seat max. headroom	924
M Rear seat width	1194
N Rear seat max. legroom	862
O Load length luggage 4 seat mode	850



LUGGAGE COMPARTMENT		All models
Volume, litres (cu. ft)	Roof Up	404 (14.3)
	Roof Down	200 (7.1)

POWER STEERING SYSTEM	
Turning circle, m (ft) (rack & pinion)	11.8 (38.7)

		2.4i	T5	D5
Brakes	Disc Diameter Front, mm	320 ventilated	320 ventilated	320 ventilated
	Disc Diameter Rear, mm	280	280	280
Transmission	Manual	5 speed	6 speed	-
	Geartronic	5 speed	5 speed	5 speed
Fuel Tank Volume litres (gallons)		62 (13.6)	62 (13.6)	60 (13.2)

- (i) These results do not express or imply any guarantee of the fuel consumption of a particular car as there are inevitable differences between individual cars of the same model. Additionally, driving style, traffic conditions, as well as the age and mileage and standard of maintenance will affect a car's fuel consumption.
- (ii) The Urban fuel consumption figure is based on typical city driving, including starting the car from cold. The Extra Urban figure is based on typical motorway driving and cruising. The Combined figure averages the consumption across both cycles.
- (iii) Unbraked towing weight must not exceed 50% of kerb weight up to a maximum of 700 kg.
- (iv) For best performance and lowest fuel consumption, 98 RON is recommended. 95 RON can be used for normal driving.

**Notes**  
The weight of the vehicle will influence the level of CO<sub>2</sub> emitted. As a result, vehicles with higher levels of specification and factory fit options may emit higher levels of CO<sub>2</sub>. Once a vehicle has been built it will be given its own specific CO<sub>2</sub> emission on which the Vehicle Excise Duty will be charged.  
A weighbridge must be used to determine specific weights.  
Data valid for manual transmission unless specified.  
All measurements in mm.  
The Max. output figures are quoted in PS (Pferdestärke), which is the metric equivalent of brake horsepower.  
NB Some of the information in this price list may not be correct due to product changes which may have occurred since it was printed. Some of the equipment described or shown may now be available only at extra cost. Before ordering, please ask your Volvo dealer for the latest information. The manufacturer reserves the right to make changes at any time, without notice, to prices, colour, materials, specifications and models.  
Volvo Car UK Limited, Globe Park, Marlow, Buckinghamshire, SL7 1YQ

CHOOSE YOUR COLOUR

WITH A WIDE RANGE OF EXTERIOR COLOURS YOUR VOLVO C70 CAN REFLECT YOUR PERSONAL TASTE.



019 Black Stone



463 Blackcurrant pearl



426 Silver metallic



466 Barents Blue pearl



452 Black Sapphire metallic



467 Magic Blue pearl



453 White pearl



474 Celestial Blue pearl



462 Flint Grey metallic



475 Zanzibar Gold pearl



612 Passion Red

**CARE  
BY VOLVO**

## THE END IS JUST THE BEGINNING

It's a simple idea; one point of contact for all your car ownership needs – whether it's about finding the right finance deal or who to contact in an emergency. To get the most out of owning your Volvo, trust Care by Volvo.

### STARTING OFF ON THE RIGHT FOOT

You might be surprised how easy and flexible financing can be. Our range of finance, service and insurance options allows you to budget around one key factor – your lifestyle.

### FINANCE/LEASE

As part of Volvo, Volvo Car Finance has developed a series of funding plans that will provide you with maximum choice and flexibility when acquiring a Volvo.

### INSURANCE

Volvo Owners Insurance is designed for Volvo drivers and because we know Volvos inside out, we can offer exactly the right tools and expertise, fitting only genuine Volvo parts by trained Volvo technicians. Because Volvo drivers have an excellent reputation, we can also offer extensive cover at a reasonable price.

Call now for your insurance quote on **0800 238 239**<sup>(i)</sup>, quoting reference BROCH.

### MAKING LIFE EASIER

Owning a Volvo should be a safe and enjoyable experience. To ensure it stays that way, we're committed to providing you with the best in support for as long as you own one.

### SERVICE PROGRAMME

Your Volvo dealer has the unique know-how to tailor a service programme according to Volvo's strict recommendations and guarantees you years of safety and driving pleasure.

### LOOKING AHEAD

You'll probably never find out just how good some of these services are. But should the unexpected happen, we'd like to think that you'd be even happier you chose a Volvo.

### ROADSIDE ASSISTANCE

Every new car comes with one year's Volvo Assistance cover. You'll enjoy free breakdown and recovery assistance, anywhere in Europe, 24 hours a day. You can even extend cover for £85 for one year or £155 for two years.

Call Volvo Assistance on **08701 650 978**.

### WARRANTY

Every new Volvo comes with comprehensive protection. Our warranty covers the first three years or 60,000 miles, whichever comes first. There's a three year unlimited mileage warranty on the paintwork, and either eight or twelve years against rust perforation. If a component fails due to a defect or material fault, your dealer will swiftly rectify the problem, free of charge.

For tax free sales, including Military, Diplomat and all other Export enquiries, contact Volvo Car UK Tourist & Diplomat Sales or Volvo Car UK British Military Sales on **01707 262 388** or e-mail to [vcukics@volvocars.com](mailto:vcukics@volvocars.com) or [bms@volvocars.com](mailto:bms@volvocars.com)

**WHAT NEXT?** If you'd like to find out more about the range of products and services that make up Care by Volvo, the story continues at [www.volvocars.co.uk](http://www.volvocars.co.uk) Alternatively you can contact your nearest Volvo dealer or request relevant brochures.

(i) Volvo Owners Insurance is underwritten by Royal & Sun Alliance Insurance plc No. 93792. Registered in England and Wales at St Mark's Court, Chart Way, Horsham, West Sussex RH12 1XL. Authorised and regulated by the Financial Services Authority. For your protection telephone calls will be recorded and may be monitored.

**NB** Some of the information in this brochure may not be correct due to product changes which may have occurred since it was printed. Before ordering, please ask your Volvo dealer for the latest information. The manufacturer reserves the right to make changes at any time, without notice, to prices, colour, materials, specifications and models.

Volvo. for life

**VOLVO**

Volvo Car UK Limited  
[www.volvocars.co.uk](http://www.volvocars.co.uk)

A04207

MODEL YEAR 2007 EDITION 2
PRINTED: MAY 2006
05/06/90010522/25