

The BMW 3 Series  
Convertible



The Ultimate  
Driving Machine

Price List



**BMW EfficientDynamics**  
Less emissions. More driving pleasure.



From March 2009

## Contents

- 4 **BMW EfficientDynamics**
- 6 **Technical Introduction**
- 7 **Pricing**
- 8 **Standard Equipment**
- 10 **M Sport**
- 11 **Paintwork**
- 12 **Interior Trim**
- 13 **Upholstery**
- 14 **Paintwork and Upholstery Combinations**
- 16 **Interior Trim and Upholstery Combinations**
- 18 **Colour Linked Parts**
- 19 **Wheels and Tyres**
- 21 **BMW Individual**
- 22 **Optional Equipment**
- 34 **More about BMW**
- 38 **Technical Data**



The new  
BMW 3 Series  
Highline models



The Ultimate  
Driving Machine

## The new BMW 3 Series Highline models.



**BMW EfficientDynamics**  
Less emissions. More driving pleasure.





## The new BMW 3 Series Highline models

The BMW 3 Series Coupé and Convertible already combine near-perfect 50:50 weight distribution, rear-wheel drive and lightweight engineering to deliver a class-leading driving experience, whilst the Convertible's Retractable Hard-Top ensures you can savour the luxurious ambiance whatever the weather.

Couple this with award-winning BMW EfficientDynamics engine technologies that reduce emissions and lower fuel consumption, and you have an unbeatable combination of dynamic performance and effortless efficiency.

**With the new Highline models you can enhance this even further with up to £2,675 worth of additional equipment for just £750.**

Available on every engine variant – from the frugal 320d which returns 58.9mpg (Coupé combined cycle), to the exhilarating 335i which delivers 306hp thanks to the 2008 International Engine of the Year – Highline models mean you can enjoy an even more rewarding driving experience.

### SE Highline

Equipment in addition / replacement to SE models

- 18" light alloy Star-spoke style 189 wheels
- Dakota leather upholstery (with SunReflective technology on Convertible)
- Bluetooth telephone preparation

### M Sport Highline

Equipment in addition / replacement to M Sport models

- 19" light alloy M Double-spoke style 225M wheels
- Dakota leather upholstery (with SunReflective technology on Convertible)
- Bluetooth telephone preparation



**The BMW 335i**  
2007 and 2008 International Engine of the Year



## BMW 3 Series Highline Coupé

Model	Power output (hp)	0-62mph (secs)	Combined fuel consumption (mpg)	CO <sub>2</sub> emissions (g/km)	VED band	Insurance group	Basic price (excluding VAT)	VAT	Retail price (including VAT)	On the road price	P11d value	BIK tax rate (2009/2010)
<b>Petrol</b>												
<b>320i SE Highline</b>	170	8.1 (8.8)	44.8 (43.5)	151 (156)	G (G)	15 / 29	£22,756.52	£3,413.48	£26,170	<b>£27,055</b>	£26,850	18%
<b>320i M Sport Highline</b>	170	8.1 (8.8)	44.8 (43.5)	151 (156)	G (G)	15 / 31	£24,991.30	£3,748.70	£28,740	<b>£29,625</b>	£29,420	18%
<b>325i SE Highline</b>	218	6.6 (7.0)	39.8 (39.8)	170 (170)	H (H)	16 / 35	£25,256.52	£3,788.48	£29,045	<b>£29,955</b>	£29,725	22%
<b>325i M Sport Highline</b>	218	6.6 (7.0)	39.8 (39.8)	170 (170)	H (H)	17 / 37	£27,491.30	£4,123.70	£31,615	<b>£32,525</b>	£32,295	22%
<b>330i SE Highline</b>	272	6.0 (6.2)	39.2 (39.2)	173 (173)	H (H)	17 / 37	£28,065.22	£4,209.78	£32,275	<b>£33,185</b>	£32,955	22%
<b>330i M Sport Highline</b>	272	6.0 (6.2)	39.2 (39.2)	173 (173)	H (H)	17 / 38	£30,243.48	£4,536.52	£34,780	<b>£35,690</b>	£35,460	22%
<b>335i SE Highline</b>	306	5.5 (5.4)	31.0 (32.1)	218 (210)	K (K)	18 / 39	£29,765.22	£4,464.78	£34,230	<b>£35,180</b>	£34,910	31%
<b>335i M Sport Highline</b>	306	5.5 (5.4)	31.0 (32.1)	218 (210)	K (K)	18 / 40	£31,360.87	£4,704.13	£36,065	<b>£37,015</b>	£36,745	31%
<b>Diesel</b>												
<b>320d SE Highline</b>	177	7.9 (8.0)	58.9 (51.4)	128 (145)	D (F)	16 / 30	£24,717.39	£3,707.61	£28,425	<b>£29,280</b>	£29,105	18%
<b>320d M Sport Highline</b>	177	7.9 (8.0)	58.9 (51.4)	128 (145)	D (F)	16 / 32	£26,952.17	£4,042.83	£30,995	<b>£31,850</b>	£31,675	18%
<b>325d SE Highline</b>	197	7.3 (7.5)	49.6 (45.6)	153 (164)	G (G)	16 / 33	£26,343.48	£3,951.52	£30,295	<b>£31,180</b>	£30,975	21%
<b>325d M Sport Highline</b>	197	7.3 (7.5)	49.6 (45.6)	153 (164)	G (G)	16 / 34	£28,578.26	£4,286.74	£32,865	<b>£33,750</b>	£33,545	21%
<b>330d SE Highline</b>	245	6.0 (6.1)	49.6 (45.6)	152 (164)	G (G)	17 / 39	£28,600.00	£4,290.00	£32,890	<b>£33,775</b>	£33,570	21%
<b>330d M Sport Highline</b>	245	6.0 (6.1)	49.6 (45.6)	152 (164)	G (G)	17 / 40	£30,778.26	£4,616.74	£35,395	<b>£36,280</b>	£36,075	21%
<b>335d SE Highline</b>	286	(5.9)	(42.2)	(177)	(I)	18 / 40	£31,595.65	£4,739.35	£36,335	<b>£37,245</b>	£37,015	26%
<b>335d M Sport Highline</b>	286	(5.9)	(42.2)	(177)	(I)	18 / 41	£33,191.30	£4,978.70	£38,170	<b>£39,080</b>	£38,850	26%

### Optional Equipment\*

The full range of paint colours, interior trims and optional equipment is available for all Highline Coupé models, priced as per the corresponding SE or M Sport Coupé model, with the following exceptions:

All SE Highline models	2R4, 19" light alloy Star-spoke style 230 wheels	£445
All M Sport Highline models	No alternative alloy wheels are available	
All Highline models	633, Bluetooth telephone preparation with telematics	£0
	Only BMW Individual leather upholsteries available as alternative.	

#### Prices and specifications

BMW (UK) Limited reserves the right to alter prices and specifications without notice. BMW (UK) Limited has made every effort to ensure the accuracy of information but does not accept liability for any errors or omissions.

Key    Figures in (brackets) apply to cars with automatic transmission.  
Insurance group figures refer to – 20 Group Rating System / 50 Group Rating System.

Value of additional equipment is based on specifying the options individually. Value ranges from £2,175-£2,610 on SE Highline models depending on engine variant and is £1,985 on all M Sport Highline models. Please note images shown may include options available at additional cost. Figures in brackets refer to six-speed automatic transmission (or seven-speed Double Clutch Transmission on 335i). \*Please refer to the BMW 3 Series Coupé Price List for full details.

## BMW 3 Series Highline Convertible

Model	Power output (hp)	0-62mph (secs)	Combined fuel consumption (mpg)	CO <sub>2</sub> emissions (g/km)	VED band	Insurance group	Basic price (excluding VAT)	VAT	Retail price (including VAT)	On the road price	P11d value	BIK tax rate (2009/2010)
<b>Petrol</b>												
<b>320i SE Highline</b>	170	9.1 (9.8)	42.8 (40.9)	157 (165)	G (G)	16 / 30	£27,065.22	£4,059.78	£31,125	<b>£32,010</b>	£31,805	19%
<b>320i M Sport Highline</b>	170	9.1 (9.8)	42.8 (40.9)	157 (165)	G (G)	16 / 31	£29,300.00	£4,395.00	£33,695	<b>£34,580</b>	£34,375	19%
<b>325i SE Highline</b>	218	7.6 (8.1)	37.2 (36.2)	181 (187)	I (J)	17 / 35	£29,234.78	£4,385.22	£33,620	<b>£34,530</b>	£34,300	24%
<b>325i M Sport Highline</b>	218	7.6 (8.1)	37.2 (36.2)	181 (187)	I (J)	17 / 36	£31,469.57	£4,720.43	£36,190	<b>£37,100</b>	£36,870	24%
<b>330i SE Highline</b>	272	6.5 (6.7)	36.7 (36.2)	185 (187)	I (J)	18 / 40	£32,143.48	£4,821.52	£36,965	<b>£37,875</b>	£37,645	25%
<b>330i M Sport Highline</b>	272	6.5 (6.7)	36.7 (36.2)	185 (187)	I (J)	18 / 41	£34,321.74	£5,148.26	£39,470	<b>£40,380</b>	£40,150	25%
<b>335i SE Highline</b>	306	5.8 (5.7)	29.7 (31.0)	226 (217)	L (K)	19 / 42	£33,382.61	£5,007.39	£38,390	<b>£39,530</b>	£39,070	33%
<b>335i M Sport Highline</b>	306	5.8 (5.7)	29.7 (31.0)	226 (217)	L (K)	19 / 42	£35,356.52	£5,303.48	£40,660	<b>£41,800</b>	£41,340	33%
<b>Diesel</b>												
<b>320d SE Highline</b>	177	8.6 (8.7)	53.3 (48.7)	140 (153)	E (G)	16 / 30	£28,904.35	£4,335.65	£33,240	<b>£34,095</b>	£33,920	19%
<b>320d M Sport Highline</b>	177	8.6 (8.7)	53.3 (48.7)	140 (153)	E (G)	16 / 31	£31,139.13	£4,670.87	£35,810	<b>£36,665</b>	£36,490	19%
<b>325d SE Highline</b>	197	7.9 (8.0)	46.3 (44.1)	162 (170)	G (H)	17 / 35	£30,304.35	£4,545.65	£34,850	<b>£35,735</b>	£35,530	23%
<b>325d M Sport Highline</b>	197	7.9 (8.0)	46.3 (44.1)	162 (170)	G (H)	17 / 36	£32,539.13	£4,880.87	£37,420	<b>£38,305</b>	£38,100	23%
<b>330d SE Highline</b>	245	6.4 (6.5)	46.3 (44.1)	162 (170)	G (H)	18 / 40	£32,569.57	£4,885.43	£37,455	<b>£38,340</b>	£38,135	23%
<b>330d M Sport Highline</b>	245	6.4 (6.5)	46.3 (44.1)	162 (170)	G (H)	18 / 41	£34,747.83	£5,212.17	£39,960	<b>£40,845</b>	£40,640	23%

### Optional Equipment\*

The full range of paint colours, interior trims and optional equipment is available for all Highline Convertible models, priced as per the corresponding SE or M Sport Convertible model, with the following exceptions:

All SE Highline models	2R4, 19" light alloy Star-spoke style 230 wheels	£445
All M Sport Highline models	No alternative alloy wheels are available	
All Highline models	633, Bluetooth telephone preparation with telematics	£0
	Only BMW Individual leather upholsteries available as alternative.	

#### Prices and specifications

BMW (UK) Limited reserves the right to alter prices and specifications without notice. BMW (UK) Limited has made every effort to ensure the accuracy of information but does not accept liability for any errors or omissions.

Key    Figures in (brackets) apply to cars with automatic transmission.  
Insurance group figures refer to – 20 Group Rating System / 50 Group Rating System.

Value of additional equipment is based on specifying the options individually. Value ranges from £2,240-£2,675 on SE Highline models depending on engine variant and is £2,050 on all M Sport Highline models. Please note images shown may include options available at additional cost. Figures in brackets refer to six-speed automatic transmission (or seven-speed Double Clutch Transmission on 335i). \*Please refer to the BMW 3 Series Convertible Price List for full details.

## This is how much has gone in.

The pleasure you get from driving a BMW is the result of fine engineering – always setting the benchmark because it is based on much more than engine power. This is the thinking behind BMW's programme of EfficientDynamics. A change in philosophy, this programme of technologies helps to make positive changes in reducing CO<sub>2</sub> emissions and improving fuel consumption whilst enhancing driving dynamics. Changes for both today and tomorrow. Today's solutions include Brake Energy Regeneration, an innovative process for harnessing energy previously lost. As for tomorrow – even more advanced technologies to improve emissions and fuel consumption as we move towards BMW's vision of CleanEnergy and the use of hydrogen-powered engines. Nothing lost, but much gained. BMW EfficientDynamics: pushing the boundaries in terms of performance and dynamism – without compromise.

### High-precision direct injection

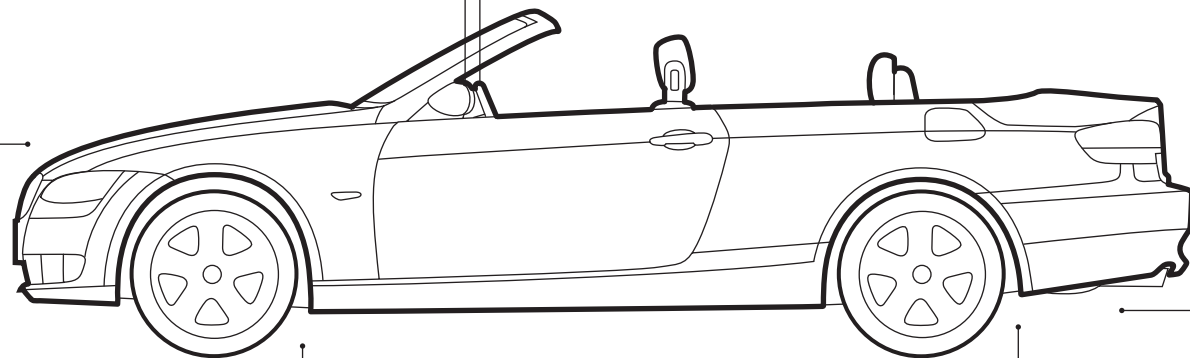
In this cutting-edge generation of petrol direct injection, the Piezo injectors are positioned very close to the spark plugs. They inject the fuel at high pressure and with extreme precision. The injectors' central positioning means only part of the combustion chamber needs to be filled with an ignitable petrol-air mixture. The engine can then run "leanly" and so efficiently, precisely in the heavily used moderate load range. (Standard on 320i, 325i, 330i, 335i.)

### Auto Start-Stop

BMW four-cylinder engines with manual transmission automatically shut down when the vehicle is stationary, for example at a red light or in traffic, when the driver shifts to neutral and releases the clutch. The engine restarts as soon as the clutch is activated again. This innovation significantly reduces fuel consumption especially in city traffic. (Standard on 320i, 320d with manual transmission.)

### Optimum Shift Indicator

Timely gear shifts are one of the most effective and easiest ways to save fuel. This is where Optimum Shift Indicator in conjunction with six-speed manual transmission comes in. It shows the driver the most fuel-efficient gear to select for any driving situation. (Standard on all models with manual transmission.)



### Active Aerodynamics

Engine management signals the engine's current cooling capacity requirements constantly while driving. Rendering a permanent airstream through the radiator unnecessary. The air vents in front of the radiator open or close depending on the environmental temperature and road speed. When shut they improve aerodynamics, shorten the engine's warm-up time and so reduce fuel consumption. (Standard on 320i, 325i, 330i; excluding M Sport models.)

### Electric Power Steering

In comparison with conventional, hydraulic steering systems, the electrical steering only uses energy during actual steering. When the steering wheel position is constant – for example at high speed along the motorway – the electronic motor is inactive. (Standard on 320i, 325i, 330i, 320d, 325d, 330d.)

### Brake Energy Regeneration

The alternator disengages automatically when the battery is fully charged, only re-engaging when the battery needs charging. In addition, the system engages automatically when the car's brakes are applied or when coasting, to recycle otherwise wasted energy. (Standard on all models.)

Certain BMW EfficientDynamics features may be excluded depending on the optional equipment chosen. Your BMW Dealer will be pleased to provide you with more information.

## And this is what comes out.

BMW already offers 81 models\* with CO<sub>2</sub> emissions of 140 g/km or less. But that's just for starters. We're carrying on our research – in the quest to bring you more driving pleasure and less consumption.

\* In the UK and Republic of Ireland.



## BMW 3 Series Convertible price list insert

Valid from 1 May 2009

Model	Power output (hp)	0-62 mph (secs)	Combined fuel consumption (mpg)	CO <sub>2</sub> emissions (g/km)	VED band	Insurance group
<b>Petrol</b>						
<b>320i SE</b>	170	9.1 (9.8)	42.8 (40.9)	157 (165)	G (G)	16 / 30
<b>320i M Sport</b>	170	9.1 (9.8)	42.8 (40.9)	157 (165)	G (G)	16 / 31
<b>325i SE</b>	218	7.6 (8.1)	37.2 (36.2)	181 (187)	I (J)	17 / 35
<b>325i M Sport</b>	218	7.6 (8.1)	37.2 (36.2)	181 (187)	I (J)	17 / 36
<b>330i SE</b>	272	6.5 (6.7)	36.7 (36.2)	185 (187)	I (J)	18 / 40
<b>330i M Sport</b>	272	6.5 (6.7)	36.7 (36.2)	185 (187)	I (J)	18 / 41
<b>335i SE</b>	306	5.8 (5.7)	29.7 (31.0)	226 (217)	L (K)	19 / 42
<b>335i M Sport</b>	306	5.8 (5.7)	29.7 (31.0)	226 (217)	L (K)	19 / 42

<b>Diesel</b>						
Model	Power output (hp)	0-62 mph (secs)	Combined fuel consumption (mpg)	CO <sub>2</sub> emissions (g/km)	VED band	Insurance group
<b>320d SE</b>	177	8.6 (8.7)	53.3 (48.7)	140 (153)	E (G)	16 / 30
<b>320d M Sport</b>	177	8.6 (8.7)	53.3 (48.7)	140 (153)	E (G)	16 / 31
<b>325d SE</b>	197	7.9 (8.0)	46.3 (44.1)	162 (170)	G (H)	17 / 35
<b>325d M Sport</b>	197	7.9 (8.0)	46.3 (44.1)	162 (170)	G (H)	17 / 36
<b>330d SE</b>	245	6.4 (6.5)	46.3 (44.1)	162 (170)	G (H)	18 / 40
<b>330d M Sport</b>	245	6.4 (6.5)	46.3 (44.1)	162 (170)	G (H)	18 / 41

Basic price (excluding VAT)	VAT	Retail price (including VAT)	On the road price	P11d value	BIK tax rate (2009 / 2010)
£26,413.04	£3,961.96	£30,375	<b>£31,260</b>	£31,055	19%
£28,647.83	£4,297.17	£32,945	<b>£33,830</b>	£33,625	19%
£28,582.61	£4,287.39	£32,870	<b>£33,780</b>	£33,550	24%
£30,817.39	£4,622.61	£35,440	<b>£36,350</b>	£36,120	24%
£31,491.30	£4,723.70	£36,215	<b>£37,125</b>	£36,895	25%
£33,669.57	£5,050.43	£38,720	<b>£39,630</b>	£39,400	25%
£32,730.43	£4,909.57	£37,640	<b>£38,780</b>	£38,320	33%
£34,704.35	£5,205.65	£39,910	<b>£41,050</b>	£40,590	33%

£28,252.17	£4,237.83	£32,490	<b>£33,345</b>	£33,170	19%
£30,486.96	£4,573.04	£35,060	<b>£35,915</b>	£35,740	19%
£29,652.17	£4,447.83	£34,100	<b>£34,985</b>	£34,780	23%
£31,886.96	£4,783.04	£36,670	<b>£37,555</b>	£37,350	23%
£31,917.39	£4,787.61	£36,705	<b>£37,590</b>	£37,385	23%
£34,095.65	£5,114.35	£39,210	<b>£40,095</b>	£39,890	23%

### Post-budget pricing

This insert is designed to be used with the BMW 3 Series Convertible Price List and details revised pricing information following the 2009 Government Budget announcement concerning changes to Vehicle Excise Duty bands and rates. The pricing found here is therefore valid from 1 May 2009 onwards.

Full technical data and details of standard and optional equipment can be found in the main Price List.

### Prices and specifications

BMW (UK) Limited reserves the right to alter prices and specifications without notice. BMW (UK) Limited has made every effort to ensure the accuracy of information but does not accept liability for any errors or omissions.

**Key** Figures in (brackets) apply to cars with six-speed automatic transmission (or seven-speed Double Clutch Transmission (DCT) on 335i). Insurance group figures refer to – 20 Group Rating System / 50 Group Rating System.

### VED rates

Annual VED rates for brand new cars are determined by their CO<sub>2</sub> emission figure. BMW 3 Series Convertible models fall into one of the seven categories listed below:

CO <sub>2</sub> emissions g/km	Band E 131-140	Band G 151-165	Band H 166-175	Band I 176-185	Band J 186-200	Band K 201-225	Band L 226-255
Vehicle Excise Duty	£120	£150	£175	£175	£215	£215	£405

### On the road price

The recommended on the road price includes:

Delivery and BMW Emergency Service	£655
Number plates	£25
Vehicle first registration fee	£55
Vehicle Excise Duty (12 months)	See left



## 320i SE

### Engine

- Catalytic converter
- EU4 emissions management
- Four-cylinder in-line petrol engine with high-precision direct injection
- VANOS

### Transmission

- Six-speed manual transmission

### Wheels and chassis

- 17" light alloy Star-spoke style 157 wheels
- Disc brakes – front and rear, ventilated
- Electric Power Steering
- Front suspension, Aluminium
- Rear suspension, five-link

### Safety and technology

- Airbags:
  - Driver and front passenger, front
  - Side airbags – driver and front passenger with combined head airbag
- Alarm system (Thatcham 1) with remote control and engine immobiliser
- Check control warning system
- Cruise control
- Daytime running lights
- Dynamic brake lights
- Dynamic Stability Control (DSC) comprising:
  - Anti-lock Braking System (ABS)
  - Automatic Stability Control (ASC)
  - Cornering Brake Control (CBC)
  - Dynamic Brake Control (DBC)
  - Dynamic Traction Control (DTC)
  - Electronic Brake-force Distribution (EBD)
  - Engine Drag Torque Control (MSR)
- First Aid kit and warning triangle
- Foglights, front and rear
- Follow-me-home headlight function

### Safety and technology (cont.)

- Headlight wash
- Head restraints – front, anti-whiplash
- Head restraints, rear
- On-board Diagnosis
- Park Distance Control (PDC), rear
- Roll-over protection system
- Run-flat tyres with Tyre Puncture Warning System (TPWS)
- Seat belts – front with pyrotechnical belt latch tensioner and belt force limiter
- Seat belts – rear, two with inertia-reel
- Third brake light, integrated in luggage compartment lid
- Visible VIN
- Windscreen washer jets, heated
- Windscreen wipers, two-speed with adjustable intervals
- Xenon headlights

### Seats

- Child seat ISOFIX attachment – front and rear with passenger airbag deactivation
- Fluid cloth upholstery
- Four seats
- Rear seat easy access system
- Seat adjustment – front, electric with driver memory
- Seat backrests – rear, foldable for level storage area

### Exterior equipment

- Exhaust tailpipe – single, chrome
- Exterior mirrors – heated, electric adjustment
- Exterior trim, Matt Chrome Pearl Grey
- Indicator lenses, clear
- Kidney grille, Chrome with black vertical slats
- Luggage compartment loading function
- Non-metallic paintwork
- Retractable Hard-Top (RHT)

### Interior equipment

- Air conditioning, automatic, with two-zone control
- Armrest – front, folding with storage compartment
- Cup holders, front
- Door sill finishers with BMW designation
- Electric windows – front and rear, with open/close fingertip control
- Extended lighting comprising:
  - Ambient interior lighting – light band in door and side trim
  - Door handle illumination
  - Exit lighting
  - Footwell lights, front and rear
  - Interior lights, front with soft on/off
  - Reading lights, front
- Floor mats, velour
- Interior trim, Satin Silver
- Multi-function controls for steering wheel
- Rear-view mirror, automatically dimming
- Smoker's package
- Start-Stop button
- Steering column with manual reach and rake adjustment

### Interior equipment (cont.)

- Storage facilities:
  - Securing rings in luggage compartment
  - Storage area separating luggage compartment and cabin
  - Storage compartment in door panels, folding
  - Storage compartment next to steering column with lid
  - Storage compartment with cover in rear centre console
  - Storage nets on seat backrests
- Sun visors with illuminated vanity mirrors
- Sport multi-function leather steering wheel with decorative inserts in Matt Chrome Pearl Grey
- Toolkit located in luggage compartment
- Windscreen with grey shade band

### Audio and communication

- Auxiliary input point for auxiliary playing devices (e.g. MP3 player)
- BMW Professional radio with single CD player
- CD changer preparation
- Loudspeaker system with six speakers
- On-Board Computer (OBC) comprising:
  - Average fuel consumption
  - Average speed
  - Outside temperature display
  - Time/date
  - Range
- Personal Profile

## 320d SE

### Equipment in addition / replacement to 320i SE

- Diesel Particulate Filter (DPF)
- EU5 emissions management
- Four-cylinder in-line diesel engine with common-rail technology
- Incorrect fuelling protection system
- Turbo

## 325i SE

### Equipment in addition / replacement to 320i SE

- Cruise control with brake function
- Dynamic Stability Control Plus (DSC+) comprising:
  - Brake drying
  - Brake fade compensation
  - Brake pre-tensioning
  - Hill-start assistant
  - Soft-stop
- Exhaust tailpipes – twin, chrome
- Kidney grille, chrome with chrome vertical slats
- Oil temperature display
- Rain sensor with automatic headlight activation
- Six-cylinder in-line petrol engine with high-precision direct injection

## 325d SE

### Equipment in addition / replacement to 325i SE

- Diesel Particulate Filter (DPF)
- Six-cylinder in-line diesel engine with common-rail technology

## 330i/d SE

### Equipment in addition / replacement to 325i/d SE

- 17" light alloy Star-spoke style 185 wheels
- EU5 emissions management (330d only)
- Metallic paintwork

## 335i SE

### Equipment in addition / replacement to 330i SE

- 17" light alloy V-spoke style 188 wheels
- Exhaust tailpipes – single, left and right, chrome
- Front bumper valance with Grey insert
- Power assisted steering, hydraulic
- Twin-turbo





**All M Sport Models**  
Equipment in addition / replacement to SE models

- 18" light alloy Star-spoke style 193 M wheels
- Blue Shadow cloth/Alcantara upholstery
- Door sill finishers with M designation
- Exterior trim, High-gloss Shadowline
- Interior trim, Aluminium Glacier Silver
- M aerodynamic bodystyling
- M Sport multi-function leather steering wheel (six-cylinder M Sport models with automatic transmission includes steering wheel gearshift paddles).
- M Sport suspension
- Shortened gearshift
- Sport seats



<p>● <b>Alpine White</b> 300 non-metallic</p> 	<p>● <b>Crimson Red*</b> A61 non-metallic</p> 	<p>● <b>Jet Black*</b> 668 non-metallic</p> 
<p>○ <b>Atlantic Blue*</b> A13 metallic</p> 	<p>○ <b>Barbera Red*</b> A39 metallic</p> 	<p>○ <b>Black Sapphire</b> 475 metallic</p> 
<p>○ <b>Bluewater</b> 896 metallic</p> 	<p>○ <b>Havana*</b> A17 metallic</p> 	<p>○ <b>Le Mans Blue**</b> 381 metallic</p> 
<p>○ <b>Monaco Blue*</b> A35 metallic</p> 	<p>○ <b>Montego Blue*</b> A51 metallic</p> 	<p>○ <b>Platinum Bronze*</b> A53 metallic</p> 
<p>○ <b>Space Grey</b> A52 metallic</p> 	<p>○ <b>Tasman*</b> A81 metallic</p> 	<p>○ <b>Titanium Silver</b> 354 metallic</p> 
<p>○ <b>BMW Individual Aventurine Silver</b> S58 metallic</p> 	<p>○ <b>BMW Individual Azurite Black</b> S34 metallic</p> 	<p>○ <b>BMW Individual Moonstone</b> X04 metallic</p> 
<p>○ <b>BMW Individual Ruby Black</b> X03 metallic</p> 		

**Key** ● = Standard ○ = Optional \* = Not available on M Sport models \*\* = Only available on M Sport models

More BMW Individual colourways are available for specific models. Please see the Paintwork, Interior Trims and Upholstery pricing tables or consult your BMW Dealer for further details.

These colour samples are designed to give you a first impression of paints and materials. Experience has shown however, that printed versions of paint, upholstery and trim colours cannot in all cases faithfully replicate the colour appearance of the originals. We recommend therefore that you consult your BMW Dealer on your preferred choices.

● **Satin Silver\*** 4CG



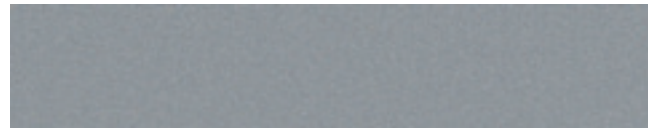
○ **Black, high-gloss\*** 4AT



○ **Dark Grey Poplar wood** 4AS



○ **Grey, high-gloss\*** 4BX



○ **BMW Individual Anthracite Maple** XE2



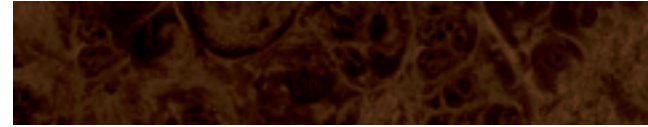
○ **BMW Individual Red Brown Figured Eucalyptus** XE3



● **Aluminium Glacier Silver\*\*** 4MG



○ **Burr Walnut wood** 4AB



○ **Fine Brushed Aluminium** 4B9



○ **Light Walnut wood** 4A3



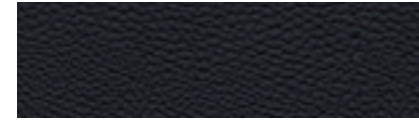
○ **BMW Individual Piano Black with inlay** XE8



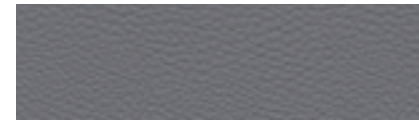
● **Fluid cloth\***  
**Anthracite** ALAT



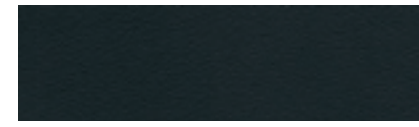
○ **Dakota leather**  
**Black** LCSW



○ **Dakota leather**  
**Grey** LCAD



○ **Nappa leather\***  
**Black** LRSW



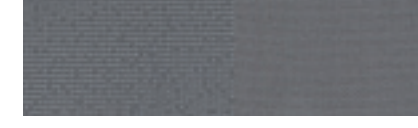
○ **BMW Individual Merino leather**  
**Champagne** ZACM / ZBCM



○ **BMW Individual Merino leather**  
**Rust Brown** ZAP2 / ZBP2



● **Fluid cloth\***  
**Grey** ALAD



○ **Dakota leather**  
**Coral Red** LCD1



○ **Dakota leather**  
**Jade Grey** LCD2



○ **Nappa leather\***  
**Camel** LRD4



○ **BMW Individual Merino leather**  
**Cohiba Brown** ZAWT



● **Blue Shadow cloth / Alcantara\*\***  
**Anthracite** ANAT



○ **Dakota leather**  
**Cream Beige** LCGE



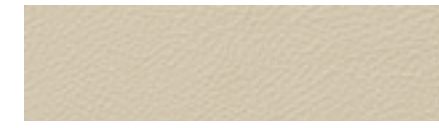
○ **Dakota leather**  
**Saddle Brown** LCD3



○ **Nappa leather\***  
**Cream Beige** LRGE



○ **BMW Individual Merino leather**  
**Platinum** ZAC8 / ZBC8



**Key** ● = Standard ○ = Optional \* = Not available on M Sport models \*\* = Only available on M Sport models

More BMW Individual colourways are available for specific models. Please see the Paintwork, Interior Trims and Upholstery pricing tables or consult your BMW Dealer for further details.

**Key** ● = Standard ○ = Optional \* = Not available on M Sport models \*\* = Only available on M Sport models

More BMW Individual colourways are available for specific models. Please see the Paintwork, Interior Trims and Upholstery pricing tables or consult your BMW Dealer for further details.

Model	Upholstery	Upholstery colour	Interior colour	Standard seats	Sport seats	Upholstery code	Metallic									
							Titanium Silver 354	Black Sapphire 475	Bluewater 896	Monaco Blue* A35	Barbera Red* A39	Montego Blue* A51	Space Grey A52	Platinum Bronze* A53	Tasman* A81	Atlantic Blue* A13
Standard: SE	Fluid cloth*	Anthracite	Black	●	●	ALAT	●	●	●	●	●	●	●	●	●	●
		Grey	Grey	●	●	ALAD	●	●	●	●	●	●	●	●	●	●
Standard: M Sport	Blue Shadow cloth / Alcantara**	Anthracite	Black	-	●	ANAT	●	●	●	-	-	-	●	-	-	-
Option: All	Dakota leather	Black	Black	●	●	LCSW	●	●	●	●	●	●	●	●	●	●
		Coral Red	Black	●	●	LCD1	●	●	●	●	●	●	●	●	●	●
		Cream Beige	Cream Beige	●	●	LCGE	●	●	●	●	●	●	●	●	●	●
		Grey	Grey	●	●	LCAD	●	●	●	●	●	●	●	●	●	●
		Jade Grey	Black	●	●	LCD2	●	●	●	●	●	●	●	●	●	●
		Saddle Brown	Black	●	●	LCD3	●	●	●	●	●	●	●	●	●	●
Option: SE	Nappa leather*	Black	Black	●	-	LRSW	●	●	●	●	●	●	●	●	●	●
		Camel	Black	●	-	LRD4	●	●	●	●	●	●	●	●	●	●
		Cream Beige	Cream Beige	●	-	LRGE	●	●	●	●	●	●	●	●	●	●
Option: All	BMW Individual Merino leather	Champagne	Black	●	●	ZACM	●	●	●	●	●	●	●	●	●	●
		Cohiba Brown	Black	●	●	ZAWT	●	●	●	●	●	●	●	●	●	●
		Platinum	Black	●	●	ZAC8	●	●	●	●	●	●	●	●	●	●
		Rust Brown	Black	●	●	ZAP2	●	●	●	●	●	●	●	●	●	●
Option: All	BMW Individual Full Merino leather	Champagne	Black	●	●	ZBCM	●	●	●	●	●	●	●	●	●	●
		Platinum	Black	●	●	ZBC8	●	●	●	●	●	●	●	●	●	●
		Rust Brown	Black	●	●	ZBP2	●	●	●	●	●	●	●	●	●	●

**Key** ● = Available - = Not available \* = Not available on M Sport models \*\* = Only available on M Sport models

The above table shows all available exterior and upholstery colour combinations. To view colour samples please consult your local BMW Dealer who will be happy to assist you with your choices. Alternatively, further combination details can be found on the 'Build your BMW' section of the [www.bmw.co.uk](http://www.bmw.co.uk) website.

Model	Upholstery	Upholstery colour	Interior colour	Standard seats	Sport seats	Upholstery code	Metallic		BMW Individual metallic					Non-metallic		
							Havanna* A17	Le Mans Blue** 381	Ruby Black X03	Moonstone X04	Azurite Black S34	Aventurine Silver S58	Alpine White 300	Jet Black* 668	Crimson Red* A61	
Standard: SE	Fluid cloth*	Anthracite	Black	●	●	ALAT	●	-	●	●	●	●	●	●	●	●
		Grey	Grey	●	●	ALAD	●	-	●	●	●	●	●	●	●	●
Standard: M Sport	Blue Shadow cloth / Alcantara**	Anthracite	Black	-	●	ANAT	-	●	●	●	●	●	●	●	-	-
Option: All	Dakota leather	Black	Black	●	●	LCSW	●	●	●	●	●	●	●	●	●	●
		Coral Red	Black	●	●	LCD1	●	●	●	●	●	●	●	●	●	●
		Cream Beige	Cream Beige	●	●	LCGE	●	●	●	●	●	●	●	●	●	●
		Grey	Grey	●	●	LCAD	●	●	●	●	●	●	●	●	●	●
		Jade Grey	Black	●	●	LCD2	●	●	●	●	●	●	●	●	●	●
		Saddle Brown	Black	●	●	LCD3	●	●	●	●	●	●	●	●	●	●
Option: SE	Nappa leather*	Black	Black	●	-	LRSW	●	-	●	●	●	●	●	●	●	●
		Camel	Black	●	-	LRD4	●	-	●	●	●	●	●	●	●	●
		Cream Beige	Cream Beige	●	-	LRGE	●	-	●	●	●	●	●	●	●	●
Option: All	BMW Individual Merino leather	Champagne	Black	●	●	ZACM	●	●	●	●	●	●	●	●	●	●
		Cohiba Brown	Black	●	●	ZAWT	●	●	●	●	●	●	●	●	●	●
		Platinum	Black	●	●	ZAC8	●	●	●	●	●	●	●	●	●	●
		Rust Brown	Black	●	●	ZAP2	●	●	●	●	●	●	●	●	●	●
Option: All	BMW Individual Full Merino leather	Champagne	Black	●	●	ZBCM	●	●	●	●	●	●	●	●	●	●
		Platinum	Black	●	●	ZBC8	●	●	●	●	●	●	●	●	●	●
		Rust Brown	Black	●	●	ZBP2	●	●	●	●	●	●	●	●	●	●

**Key** ● = Available - = Not available \* = Not available on M Sport models \*\* = Only available on M Sport models

The above table shows all available exterior and upholstery colour combinations. To view colour samples please consult your local BMW Dealer who will be happy to assist you with your choices. Alternatively, further combination details can be found on the 'Build your BMW' section of the [www.bmw.co.uk](http://www.bmw.co.uk) website.

Model	Upholstery	Upholstery colour	Interior colour	Upholstery code	SE models									
					Interior trim								BMW Individual Interior trim	
					4CG	4AT	4BX	4B9	4AB	4A3	4AS	XE2	XE3	XE8
Standard: SE	Fluid cloth*	Anthracite	Black	ALAT	●	○	○	○	○	○	○	○	○	○
		Grey	Grey	ALAD	●	○	○	○	○	○	○	○	○	○
Standard: M Sport	Blue Shadow cloth / Alcantara**	Anthracite	Black	ANAT	-	-	-	-	-	-	-	-	-	-
Option: All	Dakota leather	Black	Black	LCSW	●	○	○	○	○	○	○	○	○	○
		Coral Red	Black	LCD1	●	○	○	○	○	○	○	○	○	○
		Cream Beige	Cream Beige	LCGE	●	○	○	○	○	○	○	○	○	○
		Grey	Grey	LCAD	●	○	○	○	○	○	○	○	○	○
		Jade Grey	Black	LCD2	●	○	○	○	○	○	○	○	○	○
		Saddle Brown	Black	LCD3	●	○	○	○	○	○	○	○	○	○
Option: SE	Nappa leather*	Black	Black	LRSW	-	●	○	○	○	○	○	○	○	○
		Camel	Black	LRD4	-	●	○	○	○	○	○	○	○	○
		Cream Beige	Cream Beige	LRGE	-	●	○	○	○	○	○	○	○	○
Option: All	BMW Individual Merino leather	Champagne	Black	ZACM	●	○	○	○	○	○	○	○	○	○
		Cohiba Brown	Black	ZAWT	●	○	○	○	○	○	○	○	○	○
		Platinum	Black	ZAC8	●	○	○	○	○	○	○	○	○	○
		Rust Brown	Black	ZAP2	●	○	○	○	○	○	○	○	○	○
Option: All	BMW Individual Full Merino leather	Champagne	Black	ZBCM	●	○	○	○	○	○	○	○	○	○
		Platinum	Black	ZBC8	●	○	○	○	○	○	○	○	○	○
		Rust Brown	Black	ZBP2	●	○	○	○	○	○	○	○	○	○

**Key** ● = Standard interior trim    ◇ = Interior trim available at no cost    ○ = Interior trim available at extra cost  
 - = Not available    \* = Not available on M Sport models    \*\* = Only available on M Sport models

The above table shows all available exterior and upholstery colour combinations. To view colour samples please consult your local BMW Dealer who will be happy to assist you with your choices. Alternatively, further combination details can be found on the 'Build your BMW' section of the www.bmw.co.uk website.

Model	Upholstery	Upholstery colour	Interior colour	Upholstery code	M Sport models								
					Interior trim					BMW Individual Interior trim			
					4MG	4B9	4AB	4A3	4AS	XE2	XE3	XE8	
Standard: SE	Fluid cloth*	Anthracite	Black	ALAT	-	-	-	-	-	-	-	-	-
		Grey	Grey	ALAD	-	-	-	-	-	-	-	-	-
Standard: M Sport	Blue Shadow cloth / Alcantara**	Anthracite	Black	ANAT	●	◇	○	○	○	○	○	○	○
Option: All	Dakota leather	Black	Black	LCSW	●	◇	○	○	○	○	○	○	○
		Coral Red	Black	LCD1	●	◇	○	○	○	○	○	○	○
		Cream Beige	Cream Beige	LCGE	●	◇	○	○	○	○	○	○	○
		Grey	Grey	LCAD	●	◇	○	○	○	○	○	○	○
		Jade Grey	Black	LCD2	●	◇	○	○	○	○	○	○	○
		Saddle Brown	Black	LCD3	●	◇	○	○	○	○	○	○	○
Option: SE	Nappa leather*	Black	Black	LRSW	-	-	-	-	-	-	-	-	-
		Camel	Black	LRD4	-	-	-	-	-	-	-	-	-
		Cream Beige	Cream Beige	LRGE	-	-	-	-	-	-	-	-	-
Option: All	BMW Individual Merino leather	Champagne	Black	ZACM	●	◇	○	○	○	○	○	○	○
		Cohiba Brown	Black	ZAWT	●	◇	○	○	○	○	○	○	○
		Platinum	Black	ZAC8	●	◇	○	○	○	○	○	○	○
		Rust Brown	Black	ZAP2	●	◇	○	○	○	○	○	○	○
Option: All	BMW Individual Full Merino leather	Champagne	Black	ZBCM	●	◇	○	○	○	○	○	○	○
		Platinum	Black	ZBC8	●	◇	○	○	○	○	○	○	○
		Rust Brown	Black	ZBP2	●	◇	○	○	○	○	○	○	○

**Key** ● = Standard interior trim    ◇ = Interior trim available at no cost    ○ = Interior trim available at extra cost  
 - = Not available    \* = Not available on M Sport models    \*\* = Only available on M Sport models

The above table shows all available exterior and upholstery colour combinations. To view colour samples please consult your local BMW Dealer who will be happy to assist you with your choices. Alternatively, further combination details can be found on the 'Build your BMW' section of the www.bmw.co.uk website.

	Carpet	Floor mats	Dashboard		Seats		Doors		
			Lower	Upper	Seat back	Seat facing	Door insert	Door casing	Door armrest

**Fluid cloth upholstery**

<b>Anthracite</b>	Anthracite	Anthracite	Black	Black	Black	Anthracite	Black	Black	Black
<b>Grey</b>	Grey	Grey	Grey	Black	Grey	Grey	Grey	Grey	Grey

**Blue Shadow cloth / Alcantara upholstery**

<b>Anthracite</b>	Anthracite	Anthracite	Black	Black	Black	Anthracite / Blue	Anthracite / Blue	Black	Black
-------------------	------------	------------	-------	-------	-------	-------------------	-------------------	-------	-------

**Dakota leather upholstery**

<b>Black</b>	Anthracite	Anthracite	Black	Black	Black	Black	Black	Black	Black
<b>Coral Red</b>	Anthracite	Anthracite	Black	Black	Black	Coral Red	Coral Red	Black	Coral Red
<b>Cream Beige</b>	Cream Beige	Cream Beige	Cream Beige	Black	Cream Beige	Cream Beige	Cream Beige	Cream Beige	Cream Beige
<b>Grey</b>	Grey	Grey	Grey	Black	Grey	Grey	Grey	Grey	Grey
<b>Jade Grey</b>	Anthracite	Anthracite	Black	Black	Black	Jade Grey	Jade Grey	Black	Jade Grey
<b>Saddle Brown</b>	Anthracite	Anthracite	Black	Black	Black	Saddle Brown	Saddle Brown	Black	Saddle Brown

**Nappa leather upholstery**



<b>Black</b>	Anthracite	Anthracite	Black	Black	Black	Black	Black	Black	Black
<b>Camel</b>	Anthracite	Black	Black	Black	Black	Camel	Camel	Black	Camel
<b>Cream Beige</b>	Cream Beige	Cream Beige	Cream Beige	Black	Cream Beige	Cream Beige	Cream Beige	Cream Beige	Cream Beige



**BMW Individual Merino leather upholstery**

<b>Champagne</b>	Anthracite	Anthracite	Black	Black	Champagne	Champagne	Champagne	Black	Champagne
<b>Cohiba Brown</b>	Anthracite	Anthracite	Black	Black	Cohiba Brown	Cohiba Brown	Cohiba Brown	Black	Cohiba Brown
<b>Platinum</b>	Anthracite	Anthracite	Black	Black	Platinum	Platinum	Platinum	Black	Platinum
<b>Rust Brown</b>	Anthracite	Anthracite	Black	Black	Rust Brown	Rust Brown	Rust Brown	Black	Rust Brown



**BMW Individual Full Merino leather upholstery**

<b>Champagne</b>	Anthracite	Anthracite	Champagne	Black	Champagne	Champagne	Champagne	Black	Champagne
<b>Platinum</b>	Anthracite	Anthracite	Platinum	Black	Platinum	Platinum	Platinum	Black	Platinum
<b>Rust Brown</b>	Anthracite	Anthracite	Rust Brown	Black	Rust Brown	Rust Brown	Rust Brown	Black	Rust Brown

		<b>Star-spoke style 157</b>	<b>Star-spoke style 185</b>	<b>Radial-spoke style 187</b>
<b>Wheel size</b>	Front / rear	8 J x 17	8 J x 17	8 J x 17
<b>Tyre size</b>	Front / rear	225/45 R17	225/45 R17	225/45 R17
	Option code	2C4	2C5	2HC
				
<b>320i SE, 320d SE,</b>		●	<b>£100</b>	<b>£170</b>
<b>325i SE, 325d SE</b>		●	<b>£100</b>	<b>£170</b>
<b>330i SE, 330d SE</b>		-	●	<b>£75</b>
<b>335i SE</b>		-	-	-

		<b>V-spoke style 188</b>	<b>Star-spoke style 189</b>	<b>Star-spoke style 230</b>
<b>Wheel size</b>	Front / rear	8 J x 17 / 8.5 J x 17	8 J x 18 / 8.5 J x 18	8 J x 19 / 9 J x 19
<b>Tyre size</b>	Front / rear	225/45 R17 / 255/40 R17	225/40 R18 / 255/35 R18	225/35 R19 / 255/30 R19
	Option code	2KE	2C6	2R4
				
<b>320i SE, 320d SE,</b>		<b>£435</b>	<b>£870</b>	<b>£1,315</b>
<b>325i SE, 325d SE</b>		<b>£435</b>	<b>£870</b>	<b>£1,315</b>
<b>330i SE, 330d SE</b>		<b>£345</b>	<b>£780</b>	<b>£1,225</b>
<b>335i SE</b>		●	<b>£435</b>	<b>£880</b>

**Key** ● = Standard £ = Optional - = Not available

		M Star-spoke style 193 M	M Double-spoke style 225 M
Wheel size	Front / rear	8 J x 18 / 8.5 J x 18	8 J x 19 / 9 J x 19
Tyre size	Front / rear	225/40 R18 / 255/35 R18	225/35 R19 / 255/30 R19
	Option code	2MF	2MP
			
320i/d M Sport		●	£455
325i/d M Sport		●	£455
330i/d M Sport		●	£455
335i M Sport		●	£455

		BMW Individual V-spoke style 152 I	BMW Individual V-spoke style 228 I
Wheel size	Front / rear	8 J x 18 / 8.5 J x 18	8 J x 19 / 9 J x 19
Tyre size	Front / rear	225/40 R18 / 255/35 R18	225/35 R19 / 255/30 R19
	Option code	2M0	2M8
			
320i SE, 320d SE,		£655	£1,105
325i SE, 325d SE		£655	£1,105
330i SE, 330d SE		£590	£1,035
335i SE		£275	£725

Key ● = Standard £ = Optional – = Not available



### The most exclusive way to drive a BMW

The higher your standards, the less room there is for compromise. For drivers with the most exacting standards BMW Individual offers a range of stunning and perfectly-crafted materials to ensure that the expression of individuality has never felt so effortless.

A BMW Individual paint finish is more than just a colour, each has its own characteristic brilliance and complexity. Five layers deep, the depth of colour is more sophisticated than the regular metallic paints thanks to a special pigmentation. Xirallic or Titanium Dioxide pigments create an iridescent effect which gives the colours an unmistakable brilliance in the light.

Inside, the level of exclusivity can be continued with the distinctive yet subtle tones of BMW Individual Merino leather. A painstaking refinement process ensures that the leather is kept soft and supple, retaining a unique feel throughout its life as well as meeting the practical demands of a luxury car. And just to complete the interior, you can choose from the hand-picked wood trims that ensure the perfect grain every time.



Let yourself be inspired with BMW Individual.





	320i SE	320i M Sport	325i SE	325i M Sport	330i SE	330i M Sport	335i SE	335i M Sport	320d SE	320d M Sport	325d SE	325d M Sport	330d SE	330d M Sport	Price
--	---------	--------------	---------	--------------	---------	--------------	---------	--------------	---------	--------------	---------	--------------	---------	--------------	-------

**BMW EfficientDynamics**

<b>Active Aerodynamics</b>	●	-	●	-	●	-	-	-	-	-	-	-	-	-	<b>std</b>
<b>Auto Start-Stop</b>	●	●	-	-	-	-	-	-	●	●	-	-	-	-	<b>std</b>
<b>Brake Energy Regeneration</b>	●	●	●	●	●	●	●	●	●	●	●	●	●	●	<b>std</b>
<b>Electric Power Steering</b>	●	●	●	●	●	●	-	-	●	●	●	●	●	●	<b>std</b>
<b>High-precision direct injection</b>	●	●	●	●	●	●	●	●	-	-	-	-	-	-	<b>std</b>
<b>Optimum Shift Indicator</b>	●	●	●	●	●	●	●	●	●	●	●	●	●	●	<b>std</b>

Certain BMW EfficientDynamics features may be excluded depending on the optional equipment chosen. Your BMW Dealer will be pleased to provide you with more information.

**Transmission**

<b>Automatic transmission</b>	205	○	○							○	○				<b>£1,460</b>
Six-speed automatic transmission with Steptronic and adaptive transmission control including Shiftlock/Interlock. Adapts to personal driving style. Selector lever handle in leather, with inserts in Matt Chrome Pearl Grey. Includes steering wheel mounted gearshift paddles on six-cylinder models.				○	○	○	-	-			○	○	○	○	<b>£1,555</b>
<b>Seven-speed Double Clutch Transmission (DCT)</b>	2TC	-	-	-	-	-	○	○	-	-	-	-	-	-	<b>£1,605</b>
Seven-speed Double Clutch Transmission allows gear changes without a break in the flow of power to the rear wheels. Choose from manual gear changes via steering wheel mounted gearshift paddles or a fully automated mode. "Sport" button on the centre console allows selection of shorter shift times. Also features Launch Control.															

**Wheels and chassis**

<b>Active Steering</b>	217	-	-	○	○	○	○	○	○	○	○	○	○	○	<b>£905</b>
At low speeds steering is precise and exact due to a more direct steering ratio. At higher speeds the steering ratio becomes more indirect for enhanced directional stability and safety. Please note that the Electric Power Steering element of BMW EfficientDynamics (where fitted) will be deleted when this option is specified. Not with 3AC on 335i SE / M Sport models.															
<b>M Sport suspension</b>	704	○	●	○	●	○	●	○	●	○	●	○	●	○	<b>£265</b>
Stiffer spring/damper set-up with vehicle lowered by 15 mm.															

**Key** Not with – these options are not available for ordering together / = Indicates 'or' ● = Standard ○ = Optional – = Not available

	320i SE	320i M Sport	325i SE	325i M Sport	330i SE	330i M Sport	335i SE	335i M Sport	320d SE	320d M Sport	325d SE	325d M Sport	330d SE	330d M Sport	Price
--	---------	--------------	---------	--------------	---------	--------------	---------	--------------	---------	--------------	---------	--------------	---------	--------------	-------

**Wheels and chassis (cont.)**

<b>Servotronic</b>	216	○	○	○	○	○	○	-	-	○	○	○	○	○	<b>£170</b>
Varies the level of steering assistance according to the vehicle's speed. At low speeds the system provides a high level of assistance, making steering lighter for the driver. As the speed increases, assistance reduces so that contact with the road becomes more direct and the steering more precise.															

**Safety and technology**

<b>Active Cruise Control (ACC)</b>	541	-	-	○	○	○	○	○	○	-	-	○	○	○	<b>£775</b>
Controlled by separate steering column stalk. Maintains distance from the car in front in four adjustable distance ranges by braking and accelerating in response to radar sensors in the front bumper. Desired speed and operating mode are displayed in the instrument panel.															
<b>Adaptive Headlights</b>	524	○	○							○	○				<b>£300</b>
Offers improved visibility by following the steering angle of the front wheels, giving better illumination of the road ahead through corners. Not active when the car is reversing or turned to the right when stationary, to avoid dazzling oncoming traffic. Cornering light for illuminating the roadway when cornering with a suitable angle at speeds of up to 45 mph (65 km/h). Cornering light also activated at speeds below 22 mph (35 km/h) when direction indicators are in use. Includes 521.				○	○	○	○	○	○			○	○	○	<b>£240</b>
<b>High-beam Assistant</b>	5AC	○	○	○	○	○	○	○	○	○	○	○	○	○	<b>£105</b>
High-beam Assistant supports the driver by automatically alternating between low and high beam where there is oncoming traffic and when driving through changing light conditions. The system will switch high beam on or off automatically. Only with 521. Not with 4NA.															
<b>Park Distance Control (PDC), front and rear</b>	508	○	○	○	○	○	○	○	○	○	○	○	○	○	<b>£355</b>
Acoustic (and visual in combination with 606, Navigation system – BMW Business or 609, Navigation system – BMW Professional Multimedia) warning of proximity of obstacles to front or rear of the car. Manual deactivation. Sensors in the bumper painted in body colour.															

**Key** Only with – these options must be ordered together Not with – these options are not available for ordering together ○ = Optional – = Not available

		320i SE	320i M Sport	325i SE	325i M Sport	330i SE	330i M Sport	335i SE	335i M Sport	320d SE	320d M Sport	325d SE	325d M Sport	330d SE	330d M Sport	Price
<b>Safety and technology (cont.)</b>																
<b>Rain sensor with automatic headlight activation</b>	521	○	○	●	●	●	●	●	●	○	○	●	●	●	●	<b>£95</b>
Automatic activation/intermittent-wipe control for windscreen wipers and automatic activation of the headlights. Included with 358.																
<b>Seats</b>																
<b>Lumbar support, driver and front passenger</b>	488	○	○	○	○	○	○	○	○	○	○	○	○	○	○	<b>£225</b>
Electric height and depth adjustment for an ergonomically perfect seat position and additional support of back muscles.																
<b>Seat heating, front</b>	494	○	○	○	○	○	○	○	○	○	○	○	○	○	○	<b>£275</b>
Seat heating for driver and front passenger. Seat surface and backrest are rapidly heated to add comfort in colder months. Seat heating can be adjusted by a three-stage switch.																
<b>Sport seats, front</b>	481	○	●	○	●	○	●	○	●	○	●	○	●	○	●	<b>£420</b>
Length, height, tilt and thighrest are manually adjustable, with nets on the rear of the driver and front passenger seat backrests. Including electric adjustment of backrest side bolsters, which ensures optimum lateral support when cornering. Not with LRxx.																
<b>Exterior equipment</b>																
<b>Comfort Access</b>	322	○	○	○	○	○	○	○	○	○	○	○	○	○	○	<b>£490</b>
Keyless access to the vehicle (driver and passenger doors, luggage compartment lid), keyless starting of the vehicle and remote closing of the Retractable Hard-Top.																
<b>Exterior mirrors, folding</b>	313	○	○	○	○	○	○	○	○	○	○	○	○	○	○	<b>£170</b>
Electrically foldable exterior mirrors. Automatic dipping parking function for front passenger side mirror in reverse gear (standard on six-cylinder models). Key-dependent memory function for exterior mirrors. Not with 430.																
<b>Exterior mirrors – folding, automatically dimming</b>	430	○	○	○	○	○	○	○	○	○	○	○	○	○	○	<b>£250</b>
Electrically foldable exterior mirrors with automatic dimming. Includes automatic dipping function on four-cylinder models (standard for six-cylinder models). Not with 313.																

**Key** Not with – these options are not available for ordering together ● = Standard ○ = Optional

		320i SE	320i M Sport	325i SE	325i M Sport	330i SE	330i M Sport	335i SE	335i M Sport	320d SE	320d M Sport	325d SE	325d M Sport	330d SE	330d M Sport	Price
<b>Exterior equipment (cont.)</b>																
<b>Exterior trim, High-gloss Shadowline</b>	760	○	●	○	●	○	●	○	●	○	●	○	●	○	●	<b>£345</b>
Side frame strip, window strips, mirror frames and window recess finisher in a high-gloss black trim.																
<b>Model designation deletion</b>	320	○	○	○	○	○	○	○	○	○	○	○	○	○	○	<b>£0</b>
Removal of model designation from rear.																
<b>Towbar, detachable</b>	3AC	○	○	○	○	○	○	○	○	○	○	○	○	○	○	<b>£610</b>
Concealed and permanently installed behind bumper. Released electrically when needed by means of a switch on the inside of the luggage compartment trim and can be manually pivoted into position. Mechanical lock. Please note that the Active Aerodynamics element of BMW EfficientDynamics (where fitted) will be removed when this option is specified. For a twin-electrics solution an adaptor is required. Please consult your BMW Dealer. Not with 217 on 335i SE / M Sport models.																
<b>Interior equipment</b>																
<b>Armrest – front with sliding adjustment</b>	4AE	○	○	○	○	○	○	○	○	○	○	○	○	○	○	<b>£110</b>
Two-part, armrest with sliding segment.																
<b>Climate Comfort windscreen</b>	358	○	○	○	○	○	○	○	○	○	○	○	○	○	○	<b>£175</b>
Infrared reflective laminate for the windscreen, keeping cabin cooler in direct sunlight. Includes 521, Rain sensor with automatic headlight activation (standard on six-cylinder models).																
<b>Extended storage</b>	493	○	○	○	○	○	○	○	○	○	○	○	○	○	○	<b>£60</b>
Includes foldable cup holder in rear centre console, luggage compartment floor net, two bag holders on the luggage compartment separating panel, strap for dividing the luggage compartment.																
<b>Rear-view mirror, with digital compass</b>	4NA	○	○	○	○	○	○	○	○	○	○	○	○	○	○	<b>£60</b>
LED compass readout indicating direction of travel, displayed within the rear-view mirror. Not with 5AC.																

**Key** Not with – these options are not available for ordering together ● = Standard ○ = Optional / = Indicates 'or'



		320i SE	320i M Sport	325i SE	325i M Sport	330i SE	330i M Sport	335i SE	335i M Sport	320d SE	320d M Sport	325d SE	325d M Sport	330d SE	330d M Sport	Price
<b>Interior equipment (cont.)</b>																
<b>Smoker's package deletion</b>	441	○	○	○	○	○	○	○	○	○	○	○	○	○	○	<b>£0</b>
Deletion of smoker's package, replaces ashtray and lighter with an open storage area. Please note the 12V socket is not fitted in the centre console in this instance. The one in the armrest remains, and an additional one is provided in the front passenger footwell.																
<b>Through-loading storage bag</b>	4UT	○	○	○	○	○	○	○	○	○	○	○	○	○	○	<b>£140</b>
Longer items can be secured in the luggage compartment by means of through-load hatch located behind rear seat backrest. Through-load measurements: width 405 mm, height 263 mm. Transport bag dimensions adjustable, to maximum length: 1300 mm, volume: 130 litres.																
<b>Universal remote control</b>	319	○	○	○	○	○	○	○	○	○	○	○	○	○	○	<b>£170</b>
Replaces up to three remote controls, for example for remote control of garage door and driveway gates etc. Integrated into rear-view mirror housing. Please ensure technical compatibility with a BMW Dealer before ordering.																
<b>Wind deflector</b>	387	○	○	○	○	○	○	○	○	○	○	○	○	○	○	<b>£255</b>
When fitted, base section can be lifted to allow loading/unloading to rear seat area. Includes storage bag. Can be stored in luggage compartment.																
<b>Steering wheels</b>																
<b>Steering wheel heating</b>	248	○	-	○	-	○	-	○	-	○	-	○	-	○	-	<b>£145</b>
Not with upholstery LRxx.																
<b>Audio and communication</b>																
<b>Bluetooth telephone audio connection</b>	6NF	○	○	○	○	○	○	○	○	○	○	○	○	○	○	<b>£70</b>
Allows playback of audio files from a mobile phone with integrated MP3 player through a snap-in adaptor in the centre console. Available only in conjunction with 6FL, USB audio interface, the option provides a simultaneous connection of a mobile phone with integrated MP3 player and a memory stick. Snap-in adaptor to be purchased separately. Only with options 644 / 633 and 6FL.																

**Key**

Only with – these options must be ordered together  
Not with – these options are not available for ordering together  
/ = Indicates 'or'

○ = Optional    - = Not available

		320i SE	320i M Sport	325i SE	325i M Sport	330i SE	330i M Sport	335i SE	335i M Sport	320d SE	320d M Sport	325d SE	325d M Sport	330d SE	330d M Sport	Price
<b>Audio and communication (cont.)</b>																
<b>Bluetooth telephone preparation</b>	644	○	○	○	○	○	○	○	○	○	○	○	○	○	○	<b>£525</b>
Bluetooth telephone preparation. Please note that this does not include a handset or phone cradle. These need to be purchased separately. Consult your BMW Dealer for details of compatible phones, or go to <a href="http://www.bmw.co.uk/bluetooth">www.bmw.co.uk/bluetooth</a> . Not with 606 / 609 / 612 / 616.																
<b>Bluetooth telephone preparation with telematics</b>	633	○	○	○	○	○	○	○	○	○	○	○	○	○	○	<b>£525</b>
Bluetooth telephone preparation with the addition of a pre-fitted telematic SIM card for the use of BMW ConnectedDrive services. Only available in conjunction with a navigation system – 606 / 609 which includes 612, BMW ConnectedDrive – Assist and 616, BMW ConnectedDrive – Online. Only with 606 / 609 and 612 and 616																
<b>BMW ConnectedDrive – Assist</b>	612	○	○	○	○	○	○	○	○	○	○	○	○	○	○	<b>£0</b>
Telematics services with automatic and manual 999 emergency SOS call, BMW Breakdown Service, My Info with Google send to car function and Information Plus (location-based operator service). Includes subscription to services for three years (customer registration required to activate services). Automatically included with a navigation system – 606 / 609, 616 BMW ConnectedDrive – Online and 633 Bluetooth telephone preparation with telematics. Only with 606 / 609 and 616 and 633.																
<b>BMW ConnectedDrive – Online</b>	616	○	○	○	○	○	○	○	○	○	○	○	○	○	○	<b>£0</b>
WAP-based vehicle browser with access to the BMW Online portal. Services include news, with the ability to set up RSS news feeds, weather and the Google local search, a business listing search facility. Includes subscription to the services for three years (customer registration required to activate services). Please note function disabled when vehicle is in motion. Automatically included with a navigation system – 606 / 609, 612 BMW ConnectedDrive – Assist and 633 Bluetooth telephone preparation with telematics. Only with 606 / 609 and 612 and 633.																

**Key**

Only with – these options must be ordered together  
Not with – these options are not available for ordering together  
/ = Indicates 'or'

○ = Optional

		320i SE	320i M Sport	325i SE	325i M Sport	330i SE	330i M Sport	335i SE	335i M Sport	320d SE	320d M Sport	325d SE	325d M Sport	330d SE	330d M Sport	Price
<b>Audio and communication (cont.)</b>																
<b>BMW Individual audio system</b>	752	-	-	○	○	○	○	○	○	-	-	○	○	○	○	<b>£1,405</b>
825W power amplifier featuring 16 high-performance speakers with exclusive neodym magnet drives, hexacone diaphragms and DIRAC signal processing which enable a perfectly timed acoustic experience in all seats. Volume and equaliser settings adjust automatically to the vehicle speed. Only on M Sport models, or SE models with leather upholstery.																
<b>CD changer</b>	672	○	○	○	○	○	○	○	○	○	○	○	○	○	○	<b>£290</b>
CD changer for six CDs located in the luggage compartment. MP3 compatible.																
<b>DAB digital radio</b>	654	○	○	○	○	○	○	○	○	○	○	○	○	○	○	<b>£305</b>
Enables reception of digital audio programmes.																
<b>Loudspeaker system – BMW Business</b>	676	○	○	○	○	○	○	○	○	○	○	○	○	○	○	<b>£380</b>
Loudspeaker system with a total of 10 loudspeakers, 3-way system with: – 4 tweeters (2 in the mirror triangle, 2 in the rear side trim) – 4 midrange speakers (2 in the front doors, 2 in the rear side trim) – Total output power for tweeters and midrange speakers: 4 x 25 W – 2 central bass speakers underneath the seats – Output power for central bass speakers: 2 x 40 W – Amplifier with vehicle-specific equalising																
<b>Loudspeaker system – LOGIC7 Professional</b>	677	○	○	○	○	○	○	○	○	○	○	○	○	○	○	<b>£805</b>
LOGIC7 Professional loudspeaker system with a total of 11 loudspeakers: – 4 dome tweeters (2 at rear side, 2 in mirror triangle) – 4 cone midrange speakers (2 in the front door finishers, 2 in the rear side trim) – 1 central speaker in the instrument panel – 2 bass speakers at side, rear – Selectable surround sound function, vehicle and speed-specific equalising																

**Key** ○ = Optional – = Not available

		320i SE	320i M Sport	325i SE	325i M Sport	330i SE	330i M Sport	335i SE	335i M Sport	320d SE	320d M Sport	325d SE	325d M Sport	330d SE	330d M Sport	Price
<b>Audio and communication (cont.)</b>																
<b>Navigation system – BMW Business</b>	606	○	○	○	○	○	○	○	○	○	○	○	○	○	○	<b>£1,530</b>
6.5" colour monitor, map and arrow display, dynamic route planning. Features: – iDrive Controller with intuitive operation and shortcut buttons – Single DVD drive for audio and navigation – FM/AM/LW RDS twin tuner with TMC (Traffic Message Channel) – Title search – Forward and reverse – Scan, random – Operating knob with decorative ring in Matt Chrome Pearl Grey – Favourite buttons (eight programmable buttons for iDrive functions) Extended Personal Profile functions can be set by means of iDrive, including On-Board Computer with extended functions. Note – if a telephone system is also required, please specify 633 Bluetooth telephone preparation with telematics, 612 BMW ConnectedDrive – Assist and 616 BMW ConnectedDrive – Online. Not with 601 / 609 / 644.																
<b>Navigation system – BMW Professional Multimedia</b>	609	○	○	○	○	○	○	○	○	○	○	○	○	○	○	<b>£1,925</b>
High resolution Control Display with 8.8" colour flat screen (LCD), divided into main window and assistant window – iDrive Controller with intuitive operation and shortcut buttons – Built in hard disc drive for improved speed of operation and data storage – Detailed navigation map and options to enhance route planning – Multimedia capability with 12 GB storage for audio files – Favourite buttons (eight programme buttons for iDrive function) – DVD playback functionality Note – if a telephone system is also required, please specify 633, Bluetooth telephone preparation with telematics, 612 BMW ConnectedDrive – Assist and 616, BMW ConnectedDrive – Online. Not with 606 / 644.																

**Key** Not with – these options are not available for ordering together / = Indicates 'or' ○ = Optional

		320i SE	320i M Sport	325i SE	325i M Sport	330i SE	330i M Sport	335i SE	335i M Sport	320d SE	320d M Sport	325d SE	325d M Sport	330d SE	330d M Sport	Price
<b>Audio and communication (cont.)</b>																
<b>TV function</b>	601	○	○	○	○	○	○	○	○	○	○	○	○	○	○	<b>£795</b>
With hybrid video module for analogue and digital TV reception when vehicle is stationary. Only with 609.																
<b>USB audio interface</b>	6FL	○	○	○	○	○	○	○	○	○	○	○	○	○	○	<b>£200</b>
Interface for an MP3 player or USB memory-stored music files. Track selection possible via iDrive Controller or steering wheel multi-function buttons. Please consult your BMW Dealer for details or compatibility. An additional adaptor cable may be required.																
<b>Voice Control</b>	620	○	○	○	○	○	○	○	○	○	○	○	○	○	○	<b>£315</b>
<b>In combination with 609 and 633 and Z4F.</b>																
Voice Control of various telephone, entertainment and navigation functions: – Audio sources, tracks – Air conditioning settings – Navigation displays – Telephone Only with 606 / 609.																
<b>Paintwork, upholstery and trims</b>																
<b>Non-metallic paintwork</b>	uni	●	●	●	●	○	○	○	○	●	●	●	●	○	○	<b>£0</b>
<b>Metallic paintwork</b>	met	○	○	○	○	●	●	●	●	○	○	○	○	●	●	<b>£580</b>
<b>BMW Individual paintwork</b>	Ind	○	○	○	○					○	○	○	○			<b>£1,305</b>
						○	○	○	○					○	○	<b>£775</b>
<b>Fluid cloth upholstery</b>	AL	●	–	●	–	●	–	●	–	●	–	●	–	●	–	<b>std</b>
Cloth upholstery on standard seats.																
<b>Blue Shadow cloth / Alcantara upholstery</b>	AN	–	●	–	●	–	●	–	●	–	●	–	●	–	●	<b>std</b>
Blue Shadow cloth and Alcantara upholstery. Standard on M Sport models. Seat base and back in Blue Shadow cloth. Side support on back and base in Alcantara upholstery.																

**Key** Only with – these options must be ordered together / = Indicates 'or'

● = Standard ○ = Optional – = Not available

		320i SE	320i M Sport	325i SE	325i M Sport	330i SE	330i M Sport	335i SE	335i M Sport	320d SE	320d M Sport	325d SE	325d M Sport	330d SE	330d M Sport	Price
<b>Paintwork, upholstery and trims (cont.)</b>																
<b>Dakota leather upholstery</b>	LC	○	○	○	○	○	○	○	○	○	○	○	○	○	○	<b>£1,280</b>
Seat upholstery stitched with double-lapped seams. The leather is specially treated to reduce heat build-up in direct sunlight (SunReflective Technology).																
<b>Nappa leather upholstery</b>	LR	○	–	○	–	○	–	○	–	○	–	○	–	○	–	<b>£1,850</b>
Includes option 4AT, Black high-gloss interior trim on SE models. The leather is specially treated to reduce heat build-up in direct sunlight (SunReflective Technology). Not with 481.																
<b>BMW Individual Merino leather upholstery</b>	ZA	○	○	○	○	○	○	○	○	○	○	○	○	○	○	<b>£2,505</b>
Content in BMW Individual Merino leather colour: Front and rear seats, including head restraints, front seat backrests, door trim panel inserts, door-pull handles, armrests in doors and centre console. The leather is specially treated to reduce heat build-up in direct sunlight (SunReflective Technology).																
<b>BMW Individual Full Merino leather upholstery</b>	ZB	○	○	○	○	○	○	○	○	○	○	○	○	○	○	<b>£3,970</b>
Content in BMW Individual Merino leather colour: Front and rear seats, including head restraints, front seat backrests, door trim panels, door-pull handles, armrests in doors and centre console, map pockets in doors, centre console sides, front instrument panel lower section, handbrake lever gaitor, gearshift lever gaitor (except with 2TC where it is Black Nasca leather) and selector lever gaitor. The leather is specially treated to reduce heat build-up in direct sunlight (SunReflective Technology).																

**Key** Not with – these options are not available for ordering together

○ = Optional – = Not available

		320i SE	320i M Sport	325i SE	325i M Sport	330i SE	330i M Sport	335i SE	335i M Sport	320d SE	320d M Sport	325d SE	325d M Sport	330d SE	330d M Sport	Price
<b>Paintwork, upholstery and trims (cont.)</b>																
<b>Interior trim, Satin Silver</b> Interior trim finisher for the instrument panel, centre console and doors in Satin Silver.	4CG	●	-	●	-	●	-	●	-	●	-	●	-	●	-	<b>std</b>
<b>Interior trim, Aluminium Glacier Silver</b> Interior trim finisher for the instrument panel, centre console and doors in Aluminium Glacier Silver.	4MG	-	●	-	●	-	●	-	●	-	●	-	●	-	●	<b>std</b>
<b>Interior trim, Black high-gloss</b> <b>In combination with LRxx.</b> Interior trim finisher for the instrument panel, centre console and doors in Black high-gloss. Standard in combination with Nappa leather upholstery.	4AT	○	-	○	-	○	-	○	-	○	-	○	-	○	-	<b>£75</b> <b>std</b>
<b>Interior trim, Grey high-gloss</b> Interior trim finisher for the instrument panel, centre console and doors in Grey high-gloss.	4BX	○	-	○	-	○	-	○	-	○	-	○	-	○	-	<b>£75</b>
<b>Interior trim, Fine Brushed Aluminium</b> Interior trim finisher for the instrument panel, centre console and doors in Fine Brushed Aluminium.	4B9	○	○	○	○	○	○	○	○	○	○	○	○	○	○	<b>£245</b> <b>£0</b>
<b>Interior trim, Burr Walnut wood</b> Interior trim finisher for the instrument panel, centre console and doors in Burr Walnut wood.	4AB	○	○	○	○	○	○	○	○	○	○	○	○	○	○	<b>£330</b> <b>£90</b>
<b>Interior trim, Dark Grey Poplar wood</b> Interior trim finisher for the instrument panel, centre console and doors in Dark Grey Poplar wood.	4AS	○	○	○	○	○	○	○	○	○	○	○	○	○	○	<b>£330</b> <b>£90</b>
<b>Interior trim, Light Walnut wood</b> Interior trim finisher for the instrument panel, centre console and doors in Light Walnut wood.	4A3	○	○	○	○	○	○	○	○	○	○	○	○	○	○	<b>£330</b> <b>£90</b>
<b>Interior trim, BMW Individual Anthracite Maple</b> Interior trim finisher for the instrument panel, centre console and doors in Anthracite Maple wood.	XE2	○	○	○	○	○	○	○	○	○	○	○	○	○	○	<b>£555</b> <b>£355</b>
<b>Interior trim, BMW Individual Piano Black with inlay</b> Interior trim finisher for the instrument panel, centre console and doors in Piano Black with inlay.	XE8	○	○	○	○	○	○	○	○	○	○	○	○	○	○	<b>£555</b> <b>£355</b>
<b>Interior trim, BMW Individual Red Brown Figured Eucalyptus</b> Interior trim finisher for the instrument panel, centre console and doors in Red Brown Figured Eucalyptus wood.	XE3	○	○	○	○	○	○	○	○	○	○	○	○	○	○	<b>£555</b> <b>£355</b>

**Key** Only with – these options must be ordered together      ● = Standard   ○ = Optional   – = Not available  
Not with – these options are not available for ordering together  
/ = Indicates 'or'



Options available from your dealer

	320i SE	320i M Sport	325i SE	325i M Sport	330i SE	330i M Sport	335i SE	335i M Sport	320d SE	320d M Sport	325d SE	325d M Sport	330d SE	330d M Sport	Price
<b>BMW Service Inclusive</b> Covers the cost of labour and parts for all routine servicing for 5 years or 60,000 miles, whichever comes first. Cover includes: brake fluid, air filters, micro filters, fuel filter (diesel models only), spark plugs, oil filters, engine oil. Transferable to subsequent owners.	○	○	○	○	○	○	○	○	○	○	○	○	○	○	<b>£685</b> <b>£790</b>
<b>BMW Service Inclusive Plus</b> Covers the cost of labour, parts and lubricants for all routine servicing and maintenance for 5 years or 60,000 miles, whichever comes first. Cover includes: brake pads, brake discs, brake sensors, brake fluid, air filters, micro filters, fuel filter (diesel models only), spark plugs, oil filters, engine oil, clutch assembly (only if worn) and wiper blade rubbers. Transferable to subsequent owners.	○	○	○	○	○	○	○	○	○	○	○	○	○	○	<b>£1,605</b> <b>£1,850</b>
<b>BMW Trackstar</b> 24-hour vehicle tracking device utilising GSM, GPS technology and a vehicle movement sensor. (Meets Thatcham Quality Accreditation – TQA.)	○	○	○	○	○	○	○	○	○	○	○	○	○	○	<b>£214.34*</b>
<b>BMW Trackstar 5</b> 24-hour vehicle tracking device utilising GSM, GPS technology, a vehicle movement sensor and a driver authentication device. (Meets Thatcham Category 5 Accreditation – Cat 5.)	○	○	○	○	○	○	○	○	○	○	○	○	○	○	<b>£439.45*</b>

**Key** / = Indicates 'or'  
○ = Optional  
\* = Prices exclude fitment or subscription. Please consult your BMW Dealer for further details.

## Services and Benefits.

### Warranties

Every BMW registered is protected by a Dealer Warranty, which provides cover for 3 years' unlimited mileage. In addition, every BMW is covered by an unlimited mileage, twelve years' anti-corrosion warranty and three years' paintwork warranty.

Full details of these warranties are available from your BMW Dealer and are provided in the BMW Warranty and Emergency Service Handbook.

### BMW Emergency Service

BMW Emergency Service is the only roadside and assistance programme designed specifically for BMW vehicles offering an exceptional range of benefits and services. It is available 24 hours a day, 7 days a week and utilises a dedicated fleet of BMW Approved Technicians, equipped with Genuine BMW Parts and tools, ensuring that you and your vehicle receive the best possible care in the event of any motoring emergency. This tailor-made programme has been specifically designed to meet the needs of BMW drivers travelling in the UK and Continental Europe giving complete reassurance and peace of mind. Every new BMW is covered for three years.



### BMW Magazine

Every new BMW customer receives a complimentary subscription to BMW Magazine. This lifestyle publication features all the latest news and developments from BMW, including interesting interviews, sporting news, travel experiences and art stories.

## Finance and Insurance from BMW.

### BMW Financial Services

Chances are, you've already decided on the BMW you want to drive. Now discover the perfect finance solution to get you behind the wheel. BMW Financial Services offers a range of tailor-made finance packages to suit you and your budget.

And to help you, at every BMW Dealership, there's a Financial Services Specialist – a dedicated expert who'll find the perfect solution for you. They'll talk you through the options and help you come to the right decision.

Our comprehensive range of finance and insurance products include:

- **BMW Select (Personal Contract Purchase)**
- **BMW Hire Purchase**
- **BMW Contract Hire**
- **BMW Car Insurance**
- **BMW Home Insurance**
- **BMW Travel Insurance**

For details of your local BMW Dealer, please call 0800 325600.

Further information on our finance products can be found at [www.bmw.co.uk](http://www.bmw.co.uk)

Finance is subject to status and available to over 18's in the UK only (excludes the Channel Islands). Guarantees and indemnities may be required. Finance is provided by BMW Financial Services, Europa House, Bartley Way, Hook, Hampshire, RG27 9UF.

### BMW Car Insurance

Driving a BMW shows that you refuse to compromise on the quality of your car so why should your car insurance be any different? Designed for you, BMW Car Insurance offers cover that can help give you peace of mind.

Call BMW Car Insurance today on 0870 0240 520.

Lines open 8am – 8pm Monday to Friday, 9am – 5pm Saturdays.  
Max call charge from a BT landline is 8p a minute. Calls from other networks may vary.

BMW Car Insurance is underwritten by UK Insurance Limited. The Wharf, Neville Street, Leeds, LS1 4AZ, which is authorised and regulated by The Financial Services Authority.

## BMW ConnectedDrive.

BMW ConnectedDrive provides telematic and online services that are fully integrated with your navigation and Bluetooth telephone system. The services provide you and your passengers access to key information from within the vehicle, helping you keep safe and in touch.



### Emergency 999 SOS call

The emergency SOS call provides a direct link to a 999 emergency call centre. This call can either be activated manually, or in extreme situations the sensors in the vehicle will automatically make the call and transmit your location to the emergency services. In either instance you can be assured that help can be despatched without delay.

### Breakdown call

Roadside breakdown assistance is never far away because with BMW ConnectedDrive your vehicle will have a direct link to the BMW Service Centre. This link automatically provides the operator with your vehicle details and position so that a BMW Approved Technician can be despatched quickly and easily.

### Information Plus

At the push of a button local information is available wherever you may be in the country, using the Information Plus service. The service is available 24 hours a day, seven days a week and connects you to an operator who will be able to quickly access the information you need. You can request places of interest, from hotels and restaurants to museums or historical attractions. The information is then sent to your car and can then be used in your navigation system to plan a route to your destination, or to make a call on your Bluetooth telephone.

### My Info

As a BMW ConnectedDrive customer you will be able to access an internet website from where you, or others, can send information to your vehicle. Multiple addresses and telephone numbers can be sent to your vehicle, they can then be transferred into your navigation system or your Bluetooth telephone. Using the My Info service you can also send residential addresses or business listings via Google Maps. When you have found a place of interest or entered the address in the map, there is a send-to-car function on the website, this will send the address and telephone number to your vehicle.

### Remote Services

Remote Services provides you with the facility to contact the BMW Service Centre, who can remotely lock or unlock your vehicle. You will be required to activate your vehicle and set-up your own personal security questions within the ConnectedDrive website. After you have set-up the service, should you be in a situation where you have accidentally locked your keys in the car, the BMW Service Centre will be able to unlock your vehicle. Likewise, if you are not near your car and you cannot remember if you have locked the car, our call centre can remotely lock the vehicle for you.

### Extended News and Weather

BMW ConnectedDrive provides you with access to a WAP-based browser which connects to the BMW Online portal. The portal displays the latest Weather forecast and Extended News stories from categories such as World, Business and Sports News.

### My News

From your BMW Online portal, My News provides you with a selection of the latest news from internet sources, which can be defined as you desire. Through these RSS news feeds, titles and short summaries of news items from websites will be visible directly in the Control Display of your BMW. This gives you quick access to your favoured news topics and enables you to keep in touch.

### Google local search

With the Google local search you can access location based information via Google Maps, from the BMW Online portal in the car. Information such as hotels and restaurants can be requested at the current vehicle location, navigation destination or at any other specific location. The content is taken directly from live Google Maps information. Search results appear in a list format, the addresses can be transferred into the navigation system or the telephone number can be transferred to a Bluetooth telephone. Some search results contain additional information such as opening hours, car park details or pictures of the location.

### Routes\*

With Routes you have the facility to import a route with multiple stop-off points into the navigation system. BMW Routes provides a number of default routes across Europe for you to import in your car via BMW Online. My Routes allows you to configure your own routes on the ConnectedDrive website. They can be saved onto a USB memory stick and you can import them directly into your vehicle. This provides you with the facility to plan a trip from the comfort of your own home.

\*Routes is only applicable to vehicles with 609 BMW Professional Multimedia Navigation system.

### BMW ConnectedDrive website

As a BMW ConnectedDrive customer you will have access to an internet website with a route planner, traffic information and text message service. The website provides a link to your vehicle by allowing you to send information to your car. You can also modify your news links for My News, or set-up Remote Services for your car. Additional services such as profile settings and a handy help page are also featured.

A three year BMW ConnectedDrive subscription is included with every vehicle equipped with an optional navigation system (606 or 609) and Bluetooth telephone preparation with telematics (633). In conjunction with Bluetooth telephone preparation with telematics (633), unlimited use of BMW ConnectedDrive is included within the subscription.

In the UK ConnectedDrive services require a connection to a UK mobile telephone network. Services are not available on the Isle of Man or the Channel Islands. Some services are available in other European countries, refer to your BMW dealer for more details. Terms and conditions apply.

## Aftersales.

### BMW Service Inclusive

Wouldn't it be good to know all your servicing costs in advance? Well, that's exactly what BMW Service Inclusive provides. Once you have decided which of the options best suits your needs, you can simply relax, and look forward to enjoying care-free driving, courtesy of BMW Service Inclusive.

BMW Service Inclusive lasts for 5 years or 60,000 miles (whichever occurs sooner), so all you need to do is decide which option suits you best. BMW Service Inclusive – covering all your vehicle's servicing requirements or BMW Service Inclusive Plus which in addition to servicing also covers maintenance items such as brakes pads, brake discs and windscreen wipers.

Furthermore, BMW Service Inclusive is transferable to subsequent owners within the time and mileage period, enhancing the resale value of your car.\*

\*For further information please contact your local BMW Dealer.

### Genuine BMW Accessories

Your choice of car says a great deal about you. Genuine BMW Accessories allow you to make that statement even more personal. There's endless scope for personalising your BMW to suit your needs and style, with a wide range of accessories from exterior and interior styling to mobile communications, all of which have been designed to the same exacting standards as your vehicle. For further details on Genuine BMW Accessories for your BMW, please contact your local BMW Dealer.

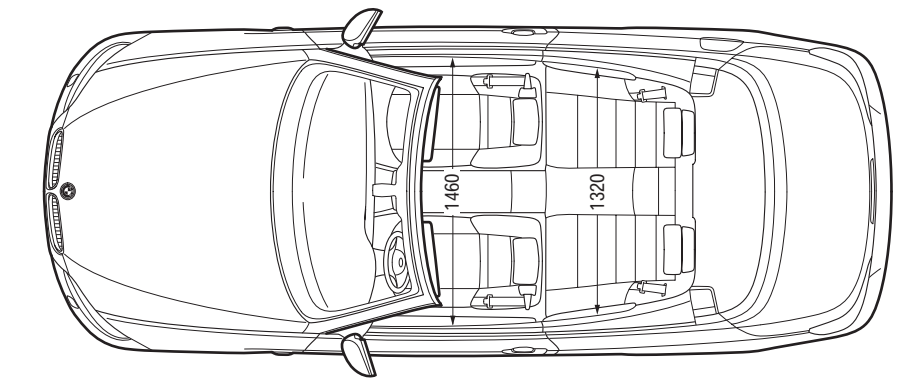
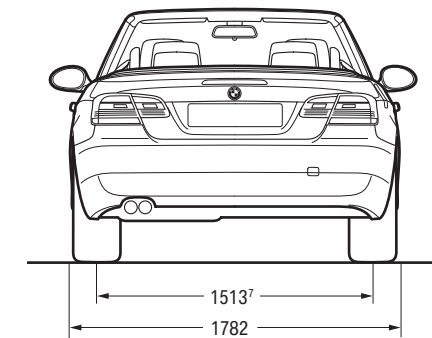
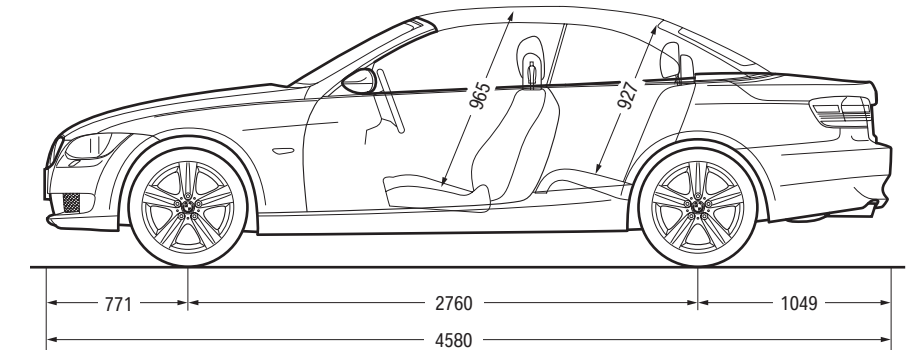
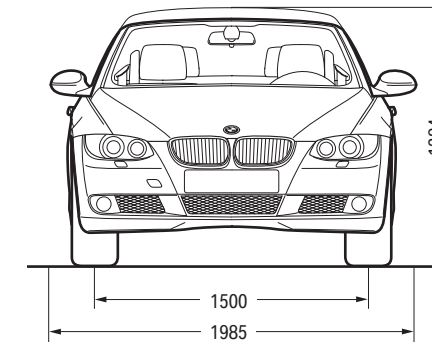
### BMW Lifestyle

The BMW Lifestyle Collection reflects the exclusivity and versatility of BMW design. This innovative product range demonstrates the highest quality in both materials and functionality. The extensive product portfolio includes clothing and accessories items such as miniatures, keyrings, leather goods, mountain bikes, kids' mobility products, golf accessories, motorsport and yachting products.



# BMW 3 Series Convertible

	320i Convertible	325i Convertible	330i Convertible	335i Convertible	320d Convertible	325d Convertible	330d Convertible
<b>Engine and performance</b>							
<b>Configuration</b>	In line 4 / 4	In line 6 / 4	In line 6 / 4	In line 6 / 4	In line 4 / 4	In line 6 / 4	In line 6 / 4
<b>Displacement</b> [cc]	1995	2996	2996	2979	1995	2993	2993
<b>Stroke / Bore</b> [mm]	90 / 84	88 / 85	88 / 85	89.6 / 84	90 / 84	90 / 84	90 / 84
<b>Power output</b> [hp]	170	218	272	306	177	197	245
<b>Torque output</b> [Nm]	210	270	320	400	350	400	520
<b>Top speed</b> [mph]	142 (140)	152 (151)	155 <sup>6</sup> (155 <sup>6</sup> )	155 <sup>6</sup> (155 <sup>6</sup> )	139 (139)	146 (145)	155 <sup>6</sup> (155 <sup>6</sup> )
<b>0-62 mph</b> <sup>1</sup> [s]	9.1 (9.8)	7.6 (8.1)	6.5 (6.7)	5.8 (5.7)	8.6 (8.7)	7.9 (8.0)	6.4 (6.5)
<b>Fuel consumption and emissions</b> <sup>2,3</sup>							
<b>Urban</b>	31.4 / 9.0	27.2 / 10.4	26.9 / 10.5	20.8 / 13.6	40.9 / 6.9	35.3 / 8.0	36.7 / 7.7
[mpg / l/100km]	(30.1 / 9.4)	(26.6 / 10.6)	(26.6 / 10.6)	(22.1 / 12.8)	(37.7 / 7.5)	(34.0 / 8.3)	(34.4 / 8.2)
<b>Extra-Urban</b>	54.3 / 5.2	47.9 / 5.9	47.1 / 6.0	39.8 / 7.1	65.7 / 4.3	56.5 / 5.0	54.3 / 5.2
[mpg / l/100km]	(52.3 / 5.4)	(46.3 / 6.1)	(46.3 / 6.1)	(40.4 / 7.0)	(58.9 / 4.8)	(53.3 / 5.3)	(52.3 / 5.4)
<b>Combined</b>	42.8 / 6.6	37.2 / 7.6	36.7 / 7.7	29.7 / 9.5	53.3 / 5.3	46.3 / 6.1	46.3 / 6.1
[mpg / l/100km]	(40.9 / 6.9)	(36.2 / 7.8)	(36.2 / 7.8)	(31.0 / 9.1)	(48.7 / 5.8)	(44.1 / 6.4)	(44.1 / 6.4)
<b>CO<sub>2</sub> emissions</b> [g/km]	157 (165)	181 (187)	185 (187)	226 (217)	140 (153)	162 (170)	162 (170)
<b>Emissions classification</b>	EU4	EU4	EU4	EU4	EU5	EU4	EU5
<b>Additional technical data</b>							
<b>Luggage capacity</b> [l]	210 - 350	210 - 350	210 - 350	210 - 350	210 - 350	210 - 350	210 - 350
<b>Fuel tank capacity</b> [l]	63	63	63	63	61	61	61
<b>Curb weight: DIN/EU</b> <sup>4</sup> [kg]	1595 / 1670	1655 / 1730	1705 / 1780	1735 / 1810	1655 / 1730	1740 / 1815	1750 / 1825
<b>Axle unloaded ratio DIN</b> [%]	53.7	53.0	52.9	52.3	53.3	51.8	51.8
<b>Gross weight / Payload</b> [kg]	2025 / 430	2085 / 430	2135 / 430	2165 / 430	2085 / 430	2170 / 430	2180 / 430
<b>Axle loaded limit front/rear</b> [kg]	915 / 1155	945 / 1180	960 / 1200	990 / 1200	920 / 1185	1005 / 1200	1005 / 1200
<b>Trailer load braked</b> <sup>5</sup> [kg]	1400 / 1600	1600 / 1700	1700 / 1800	1700 / 1800	1600 / 1800	1800 / 1800	1800 / 1800
<b>Trailer load unbraked</b> [kg]	695	745	750	750	745	750	750
<b>Drag coefficient</b> [cd]	0.27	0.28	0.28	0.31	0.28	0.28	0.28



All dimensions in millimetres.

<sup>1</sup> 0-62 mph is equal to 0-100 km/h.

<sup>2</sup> The petrol engines are designed for RON 98 grade fuel. They can be run on fuel down to RON 91 (for 335i RON 95-98) with a decrease in power.

<sup>3</sup> All engines meet at least the EU4 emissions standard. Fuel consumption is determined in accordance with the ECE driving cycle made up of approximately one third urban traffic and two thirds extra-urban driving (based on the distance covered). CO<sub>2</sub> emissions are measured in addition to fuel consumption.

<sup>4</sup> The figure quoted includes a 90 per cent tank filling, 68 kg for the driver and 7 kg for luggage. Unladen weight applies to vehicles with standard equipment. Optional equipment may increase this figure.

<sup>5</sup> The overall weight of the trailer may not exceed the maximum permissible trailer load plus the maximum permissible towbar download. Based at 12% / 8%.

<sup>6</sup> Electronically limited.

<sup>7</sup> Please note that for 335i track is 1507 mm.

Values in ( ) apply to vehicles with six-speed automatic transmission except for the 335i which shows figures for seven-speed Double Clutch Transmission.

**More about BMW**

Tel. 0800 325 600  
www.bmw.co.uk



**The Ultimate  
Driving Machine**



This price list is printed on paper which has  
been sourced from sustainably managed forests.