

The BMW 3 Series
Coupé



The Ultimate
Driving Machine

Price List



BMW EfficientDynamics
Less emissions. More driving pleasure.



From March 2009

Contents

- 4 **BMW EfficientDynamics**
- 6 **Technical Introduction**
- 7 **Pricing**
- 8 **Standard Equipment**
- 10 **M Sport**
- 11 **Paintwork**
- 12 **Interior Trim**
- 13 **Upholstery**
- 14 **Paintwork and Upholstery Combinations**
- 16 **Interior Trim and Upholstery Combinations**
- 18 **Colour Linked Parts**
- 19 **Wheels and Tyres**
- 21 **BMW Individual**
- 22 **Optional Equipment**
- 35 **More about BMW**
- 38 **Technical Data**



This is how much has gone in.

The pleasure you get from driving a BMW is the result of fine engineering – always setting the benchmark because it is based on much more than engine power. This is the thinking behind BMW's programme of EfficientDynamics. A change in philosophy, this programme of technologies helps to make positive changes in reducing CO₂ emissions and improving fuel consumption whilst enhancing driving dynamics. Changes for both today and tomorrow. Today's solutions include Brake Energy Regeneration, an innovative process for harnessing energy previously lost. As for tomorrow – even more advanced technologies to improve emissions and fuel consumption as we move towards BMW's vision of CleanEnergy and the use of hydrogen-powered engines. Nothing lost, but much gained. BMW EfficientDynamics: pushing the boundaries in terms of performance and dynamism – without compromise.

High-precision direct injection

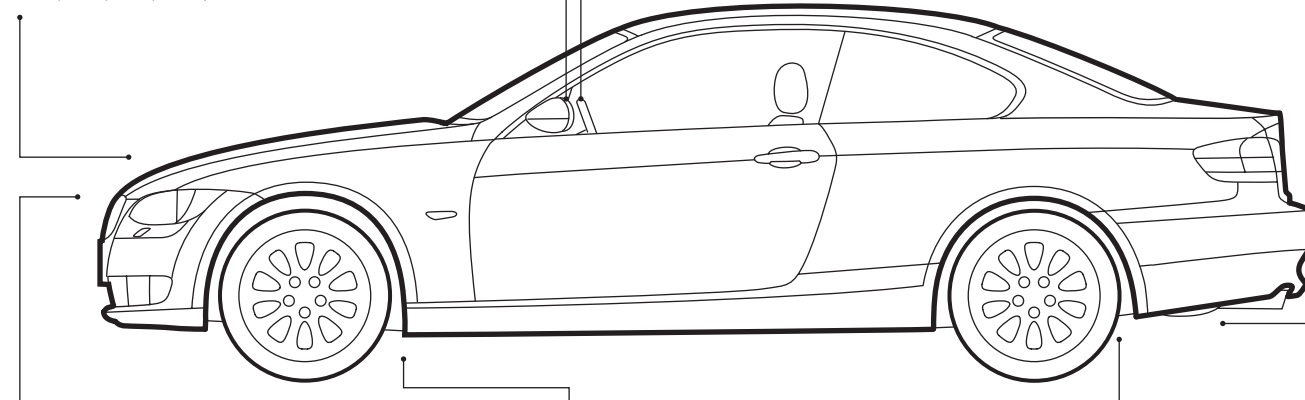
In this cutting-edge generation of petrol direct injection, the Piezo injectors are positioned very close to the spark plugs. They inject the fuel at high pressure and with extreme precision. The injectors' central positioning means only part of the combustion chamber needs to be filled with an ignitable petrol-air mixture. The engine can then run "leanly" and so efficiently, precisely in the heavily used moderate load range. (Standard on 320i, 325i, 330i, 335i.)

Auto Start-Stop

BMW four-cylinder engines with manual transmission automatically shut down when the vehicle is stationary, for example at a red light or in traffic, when the driver shifts to neutral and releases the clutch. The engine restarts as soon as the clutch is activated again. This innovation significantly reduces fuel consumption especially in city traffic. (Standard on 320i, 320d with manual transmission.)

Optimum Shift Indicator

Timely gear shifts are one of the most effective and easiest ways to save fuel. This is where Optimum Shift Indicator in conjunction with six-speed manual transmission comes in. It shows the driver the most fuel-efficient gear to select for any driving situation. (Standard on all models with manual transmission.)



Active Aerodynamics

Engine management signals the engine's current cooling capacity requirements constantly while driving. Rendering a permanent airstream through the radiator unnecessary. The air vents in front of the radiator open or close depending on the environmental temperature and road speed. When shut they improve aerodynamics, shorten the engine's warm-up time and so reduce fuel consumption. (Standard on 320i, 325i, 330i; excluding M Sport models.)

Electric Power Steering

In comparison with conventional, hydraulic steering systems, the electrical steering only uses energy during actual steering. When the steering wheel position is constant – for example at high speed along the motorway – the electronic motor is inactive. (Standard on 320i, 325i, 330i, 320d, 325d, 330d.)

Brake Energy Regeneration

The alternator disengages automatically when the battery is fully charged, only re-engaging when the battery needs charging. In addition, the system engages automatically when the car's brakes are applied or when coasting, to recycle otherwise wasted energy. (Standard on all models.)

Certain BMW EfficientDynamics features may be excluded depending on the optional equipment chosen. Your BMW Dealer will be pleased to provide you with more information.

And this is what comes out.

BMW already offers 81 models* with CO₂ emissions of 140 g/km or less. But that's just for starters. We're carrying on our research – in the quest to bring you more driving pleasure and less consumption.

* In the UK and Republic of Ireland.



BMW 3 Series Coupé

Model	Power output (hp)	0-62 mph (secs)	Combined fuel consumption (mpg)	CO ₂ emissions (g/km)	VED band	Insurance group
Petrol						
320i SE	170	8.1 (8.8)	44.8 (43.5)	151 (156)	D	15 / 28
320i M Sport	170	8.1 (8.8)	44.8 (43.5)	151 (156)	D	15 / 29
325i SE	218	6.6 (7.0)	39.8 (39.8)	170 (170)	E	16 / 34
325i M Sport	218	6.6 (7.0)	39.8 (39.8)	170 (170)	E	16 / 35
330i SE	272	6.0 (6.2)	39.2 (39.2)	173 (173)	E	17 / 36
330i M Sport	272	6.0 (6.2)	39.2 (39.2)	173 (173)	E	17 / 37
335i SE	306	5.5 (5.4)	31.0 (32.1)	218 (210)	F	18 / 38
335i M Sport	306	5.5 (5.4)	31.0 (32.1)	218 (210)	F	18 / 39
Diesel						
320d SE	177	7.9 (8.0)	58.9 (51.4)	128 (145)	C	15 / 28
320d M Sport	177	7.9 (8.0)	58.9 (51.4)	128 (145)	C	15 / 28
325d SE	197	7.3 (7.5)	49.6 (45.6)	153 (164)	D	16 / 33
325d M Sport	197	7.3 (7.5)	49.6 (45.6)	153 (164)	D	16 / 33
330d SE	245	6.0 (6.1)	49.6 (45.6)	152 (164)	D	17 / 37
330d M Sport	245	6.0 (6.1)	49.6 (45.6)	152 (164)	D	17 / 38
335d SE¹	286	(5.9)	(42.2)	(177)	E	18 / 40
335d M Sport¹	286	(5.9)	(42.2)	(177)	E	18 / 40

Prices and Specifications

BMW (UK) Limited reserves the right to alter prices and specifications without notice. BMW (UK) Limited has made every effort to ensure the accuracy of information but does not accept liability for any errors or omissions.

Key Figures in (brackets) apply to cars with automatic transmission.
Insurance group figures refer to – 20 Group Rating System / 50 Group Rating System.
¹ = Only available with automatic transmission.

Basic price (excluding VAT)	VAT	Retail price (including VAT)	On the road price	P11d value	BIK tax rate (2008 / 2009)
£22,104.35	£3,315.65	£25,420	£26,300	£26,100	18%
£24,339.13	£3,650.87	£27,990	£28,870	£28,670	18%
£24,604.35	£3,690.65	£28,295	£29,200	£28,975	22%
£26,839.13	£4,025.87	£30,865	£31,770	£31,545	22%
£27,413.04	£4,111.96	£31,525	£32,430	£32,205	22%
£29,591.30	£4,438.70	£34,030	£34,935	£34,710	22%
£29,113.04	£4,366.96	£33,480	£34,425	£34,160	31%
£30,708.70	£4,606.30	£35,315	£36,260	£35,995	31%
£24,065.22	£3,609.78	£27,675	£28,530	£28,355	18%
£26,300.00	£3,945.00	£30,245	£31,100	£30,925	18%
£25,691.30	£3,853.70	£29,545	£30,425	£30,225	21%
£27,926.09	£4,188.91	£32,115	£32,995	£32,795	21%
£27,947.83	£4,192.17	£32,140	£33,020	£32,820	21%
£30,126.09	£4,518.91	£34,645	£35,525	£35,325	21%
£30,943.48	£4,641.52	£35,585	£36,490	£36,265	26%
£32,539.13	£4,880.87	£37,420	£38,325	£38,100	26%

Since 1st March 2001 the annual VED rates for brand new cars are determined by their CO₂ emission figure.

All BMW cars fall into one of the six categories listed below:

CO ₂ emissions g/km	Band B 101-120	Band C 121-150	Band D 151-165	Band E 166-185	Band F 186-225	Band G 226+
Vehicle Excise Duty	£35	£120	£145	£170	£210	£400

On The Road Price

The recommended on the road price includes:

Delivery and BMW Emergency Service	£655
Number plates	£25
Vehicle first registration fee	£55
Vehicle Excise Duty (12 months)	See left



320i SE

Engine

- Catalytic converter
- EU4 emissions management
- Four-cylinder in-line petrol engine with high-precision direct injection
- VANOS

Transmission

- Six-speed manual transmission

Wheels and chassis

- 17" light alloy Star-spoke style 157 wheels
- Disc brakes – front and rear, ventilated
- Electric Power Steering
- Front suspension, Aluminium
- Rear suspension, five-link

Safety and technology

- Airbags:
 - Advanced Head Protection System (AHPS) front and rear
 - Driver and front passenger, front
 - Passenger seat occupancy sensor, front
 - Side airbags – driver and front passenger
- Alarm system (Thatcham 1) with remote control and engine immobiliser
- Check control warning system
- Cruise control
- Daytime running lights
- Dynamic brake lights
- Dynamic Stability Control (DSC) comprising:
 - Anti-lock Braking System (ABS)
 - Automatic Stability Control (ASC)
 - Cornering Brake Control (CBC)
 - Dynamic Brake Control (DBC)
 - Dynamic Traction Control (DTC)
 - Electronic Brake-force Distribution (EBD)
 - Engine Drag Torque Control (MSR)

Safety and technology (cont.)

- First Aid kit and warning triangle
- Foglights, front and rear
- Follow-me-home headlight function
- Headlight wash
- Head restraints – front, anti-whiplash
- Head restraints, rear
- High level third brake light
- On-Board Diagnosis (OBD)
- Park Distance Control (PDC), rear
- Run-flat tyres with Tyre Puncture Warning System (TPWS)
- Seat belts – front with pyrotechnical belt latch tensioner and belt force limiter
- Seat belts – rear, two with inertia-reel
- Visible VIN
- Windscreen washer jets, heated
- Windscreen wipers, two-speed with adjustable intervals
- Xenon headlights

Seats

- Child seat ISOFIX attachment, front and rear with passenger airbag deactivation
- Fluid cloth upholstery
- Four seats
- Split-folding rear seat

Exterior equipment

- Exhaust tailpipe – single, chrome
- Exterior mirrors – heated, electric adjustment
- Exterior trim, Matt Black
- Indicator lenses, clear
- Kidney grille, chrome with black vertical slats
- Non-metallic paintwork

Interior equipment

- 12V socket, two
- Air conditioning, automatic with two-zone control
- Armrest – front, foldable with storage compartment
- Armrest – rear, centre
- Cup holders, front and rear
- Door sill finishers with BMW designation
- Electric windows – front with open/close fingertip control
- Extended lighting comprising:
 - Ambient interior lighting – light band in door and side trim
 - Door handle illumination
 - Exit lighting
 - Footwell lights, front and rear
 - Interior lights, front and rear with soft on/off
 - Reading lights, front and rear

Interior equipment (cont.)

- Floor mats, velour
- Interior trim, Satin Silver
- Rear-view mirror, automatically dimming
- Seat belt handover – front, electric
- Smoker's package
- Sport multi-function leather steering wheel with decorative inserts in Matt Chrome Pearl Grey
- Start-Stop button
- Steering column with manual reach and rake adjustment
- Storage facilities:
 - Clothes hook, rear
 - Rear storage compartment in centre console
 - Securing rings in luggage compartment
 - Storage compartment in door panels, folding
 - Storage compartment next to steering column with lid
 - Storage nets on seat backrests
- Sun visors with illuminated vanity mirrors
- Toolkit located in luggage compartment
- Windscreen with grey shade band

Audio and communication

- Auxiliary input point for auxiliary playing devices (e.g. MP3 player)
- BMW Professional radio with single CD player
- CD changer preparation
- Loudspeaker system with six speakers
- On-Board Computer (OBC) comprising:
 - Average speed
 - Fuel consumption and range
 - Outside temperature display
 - Time/date
- Personal Profile

320d SE

Equipment in addition / replacement to 320i SE

- Diesel Particulate Filter (DPF)
- EU5 emissions management
- Four-cylinder in-line diesel engine with common-rail technology
- Incorrect fuelling protection system
- Turbo

325i SE

Equipment in addition / replacement to 320i SE

- Cruise control with brake function
- Dynamic Stability Control Plus (DSC+) comprising:
 - Brake drying
 - Brake fade compensation
 - Brake pre-tensioning
 - Hill-start assistant
 - Soft-stop
- Exhaust tailpipes – twin, chrome
- Exterior trim, Chromeline
- Kidney grille, chrome with chrome vertical slats
- Oil temperature display
- Rain sensor with automatic headlight activation
- Rear seat easy access system
- Seat adjustment – front, part-electric
- Six-cylinder in-line petrol engine with high-precision direct injection

325d SE

Equipment in addition / replacement to 325i SE

- Diesel Particulate Filter (DPF)
- Six-cylinder in-line diesel engine with common-rail technology

330i/d SE

Equipment in addition / replacement to 325i/d SE

- 17" light alloy Star-spoke style 185 wheels
- EU5 emissions management (330d only)
- Metallic paintwork
- Seat adjustment – front, electric with driver memory

335i SE

Equipment in addition / replacement to 330i SE

- 17" light alloy V-spoke style 188 wheels
- Exhaust tailpipes – single, left and right, chrome
- Exterior trim, Matt Chrome Pearl Grey
- Front bumper valance with Grey insert
- M Sport suspension
- Power assisted steering, hydraulic
- Sport seats
- Twin-turbo

335d SE

Equipment in addition / replacement to 335i SE

- Diesel Particulate Filter (DPF)
- Six-speed automatic transmission
- Sport leather steering wheel with steering wheel-mounted gearshift paddles
- Two-stage twin-turbo



M Sport models
Equipment in addition / replacement to SE models

- 18" light alloy M Star-spoke style 193 M wheels
- Blue Shadow cloth/Alcantara upholstery
- Door sill finishers with M designation
- Exterior trim, High-gloss Shadowline
- Headlining, Anthracite
- Interior trim, Aluminium Glacier Silver
- M aerodynamic bodystyling
- M Sport multi-function leather steering wheel (335d M Sport and six-cylinder M Sport models with automatic transmission include steering wheel gearshift paddles)
- M Sport suspension
- Rear seat easy access system
- Seat adjustment – front, part-electric (320i/d M Sport models)
- Seat adjustment – front, electric with driver memory (325i/d, 330i/d, 335i/d M Sport models)
- Shortened gearshift
- Sport seats



<p>● Alpine White 300 non-metallic</p> 	<p>● Crimson Red* A61 non-metallic</p> 	<p>● Jet Black* 668 non-metallic</p> 
<p>○ Atlantic Blue* A13 metallic</p> 	<p>○ Barbera Red* A39 metallic</p> 	<p>○ Black Sapphire 475 metallic</p> 
<p>○ Bluewater 896 metallic</p> 	<p>○ Havana* A17 metallic</p> 	<p>○ Le Mans Blue** 381 metallic</p> 
<p>○ Monaco Blue* A35 metallic</p> 	<p>○ Montego Blue* A51 metallic</p> 	<p>○ Platinum Bronze* A53 metallic</p> 
<p>○ Space Grey A52 metallic</p> 	<p>○ Tasman* A81 metallic</p> 	<p>○ Titanium Silver 354 metallic</p> 
<p>○ BMW Individual Aventurine Silver S58 metallic</p> 	<p>○ BMW Individual Azurite Black S34 metallic</p> 	<p>○ BMW Individual Moonstone X04 metallic</p> 
<p>○ BMW Individual Ruby Black X03 metallic</p> 		

Key ● = Standard ○ = Optional * = Not available on M Sport models ** = Only available on M Sport models

More BMW Individual colourways are available for specific models. Please see the Paintwork, Interior Trims and Upholstery pricing tables or consult your BMW Dealer for further details.

These colour samples are designed to give you a first impression of paints and materials. Experience has shown however, that printed versions of paint, upholstery and trim colours cannot in all cases faithfully replicate the colour appearance of the originals. We recommend therefore that you consult your BMW Dealer on your preferred choices.

● **Satin Silver*** 4CG



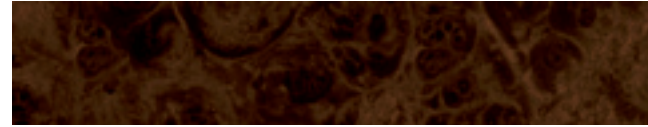
● **Aluminium Glacier Silver**** 4MG



○ **Black, high-gloss*** 4AT



○ **Burr Walnut wood** 4AB



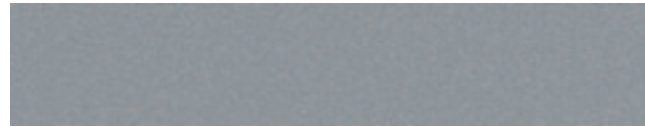
○ **Dark Grey Poplar wood** 4AS



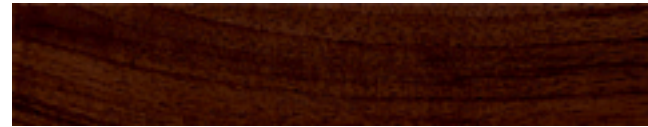
○ **Fine Brushed Aluminium** 4B9



○ **Grey, high-gloss*** 4BX



○ **Light Walnut wood** 4A3



○ **BMW Individual Anthracite Maple** XE2



○ **BMW Individual Piano Black with inlay** XE8



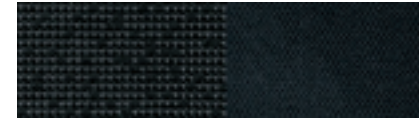
○ **BMW Individual Red Brown Figured Eucalyptus** XE3



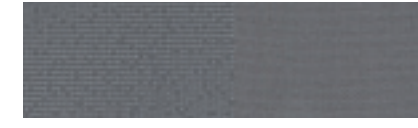
Key ● = Standard ○ = Optional * = Not available on M Sport models ** = Only available on M Sport models

More BMW Individual colourways are available for specific models. Please see the Paintwork, Interior Trims and Upholstery pricing tables or consult your BMW Dealer for further details.

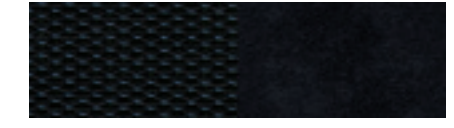
● **Fluid cloth***
Anthracite ALAT



● **Fluid cloth***
Grey ALAD



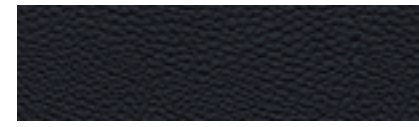
● **Blue Shadow cloth / Alcantara****
Anthracite ANAT



○ **Pearlpoint cloth / leather***
Anthracite / Black FHAT



○ **Dakota leather**
Black LCSW



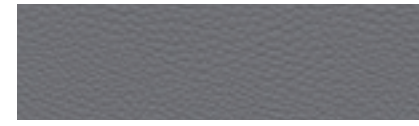
○ **Dakota leather**
Coral Red LCD1



○ **Dakota leather**
Cream Beige LCGE



○ **Dakota leather**
Grey LCAD



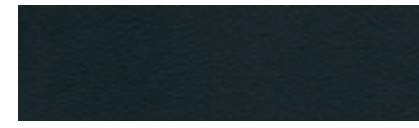
○ **Dakota leather**
Jade Grey LCD2



○ **Dakota leather**
Saddle Brown LCD3



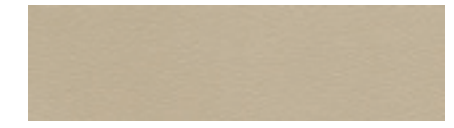
○ **Nappa leather***
Black LRSW



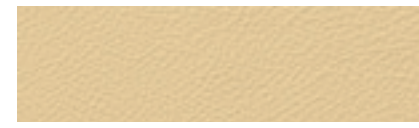
○ **Nappa leather***
Camel LRD4



○ **Nappa leather***
Cream Beige LRGE



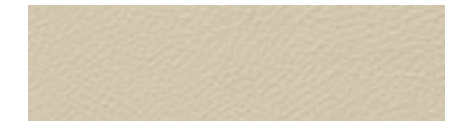
○ **BMW Individual Merino leather**
Champagne ZACM / ZBCM



○ **BMW Individual Merino leather**
Cohiba Brown ZAWT



○ **BMW Individual Merino leather**
Platinum ZAC8 / ZBC8



○ **BMW Individual Merino leather**
Rust Brown ZAP2 / ZBP2



Key ● = Standard ○ = Optional * = Not available on M Sport models ** = Only available on M Sport models

More BMW Individual colourways are available for specific models. Please see the Paintwork, Interior Trims and Upholstery pricing tables or consult your BMW Dealer for further details.

Model	Upholstery	Upholstery colour	Interior colour	Standard seats	Sport seats	Upholstery code	Metallic									
							Titanium Silver 354	Black Sapphire 475	Bluewater 896	Monaco Blue* A35	Barbera Red* A39	Montego Blue* A51	Space Grey A52	Platinum Bronze* A53	Tasman* A81	Atlantic Blue* A13
Standard: SE	Fluid cloth*	Anthracite	Black	●	●	ALAT	●	●	●	●	●	●	●	●	●	●
		Grey	Grey	●	●	ALAD	●	●	●	●	●	●	●	●	●	●
Standard: M Sport	Blue Shadow cloth / Alcantara**	Anthracite	Black	-	●	ANAT	●	●	●	-	-	-	●	-	-	-
Option: SE	Pearlpoint cloth / leather*	Anthracite / Black	Black	-	●	FHAT	●	●	●	●	●	●	●	●	●	●
Option: All	Dakota leather	Black	Black	●	●	LCSW	●	●	●	●	●	●	●	●	●	●
		Coral Red	Black	●	●	LCD1	●	●	●	●	●	●	●	●	●	●
		Cream Beige	Cream Beige	●	●	LCGE	●	●	●	●	●	●	●	●	●	●
		Grey	Grey	●	●	LCAD	●	●	●	●	●	●	●	●	●	●
		Jade Grey	Black	●	●	LCD2	●	●	●	●	●	●	●	●	●	●
		Saddle Brown	Black	●	●	LCD3	●	●	●	●	●	●	●	●	●	●
Option: 320i/d, 325i/d 330i/d SE	Nappa leather*	Black	Black	●	-	LRSW	●	●	●	●	●	●	●	●	●	●
		Camel	Black	●	-	LRD4	●	●	●	●	●	●	●	●	●	●
		Cream Beige	Cream Beige	●	-	LRGE	●	●	●	●	●	●	●	●	●	●
Option: All	BMW Individual Merino leather	Champagne	Black	●	●	ZACM	●	●	●	●	●	●	●	●	●	●
		Cohiba Brown	Black	●	●	ZAWT	●	●	●	●	●	●	●	●	●	●
		Platinum	Black	●	●	ZAC8	●	●	●	●	●	●	●	●	●	●
		Rust Brown	Black	●	●	ZAP2	●	●	●	●	●	●	●	●	●	●
Option: All	BMW Individual Full Merino leather	Champagne	Black	●	●	ZBCM	●	●	●	●	●	●	●	●	●	●
		Platinum	Black	●	●	ZBC8	●	●	●	●	●	●	●	●	●	●
		Rust Brown	Black	●	●	ZBP2	●	●	●	●	●	●	●	●	●	●

Key ● = Available - = Not available * = Not available on M Sport models ** = Only available on M Sport models

The above table shows all available exterior and upholstery colour combinations. To view colour samples please consult your local BMW Dealer who will be happy to assist you with your choices. Alternatively, further combination details can be found on the 'Build your BMW' section of the www.bmw.co.uk website.

Model	Upholstery	Upholstery colour	Interior colour	Standard seats	Sport seats	Upholstery code	Metallic		BMW Individual metallic					Non-metallic		
							Havanna* A17	Le Mans Blue** 381	Ruby Black X03	Moonstone X04	Azurite Black S34	Aventurine Silver S58	Alpine White 300	Jet Black* 668	Crimson Red* A61	
Standard: SE	Fluid cloth*	Anthracite	Black	●	●	ALAT	●	-	●	●	●	●	●	●	●	●
		Grey	Grey	●	●	ALAD	●	-	●	●	●	●	●	●	●	●
Standard: M Sport	Blue Shadow cloth Alcantara**	Anthracite	Black	-	●	ANAT	-	●	●	●	●	●	●	●	-	-
Option: SE	Pearlpoint cloth / leather*	Anthracite / Black	Black	-	●	FHAT	●	-	●	●	●	●	●	●	●	●
Option: All	Dakota leather	Black	Black	●	●	LCSW	●	●	●	●	●	●	●	●	●	●
		Coral Red	Black	●	●	LCD1	●	●	●	●	●	●	●	●	●	●
		Cream Beige	Cream Beige	●	●	LCGE	●	●	●	●	●	●	●	●	●	●
		Grey	Grey	●	●	LCAD	●	●	●	●	●	●	●	●	●	●
		Jade Grey	Black	●	●	LCD2	●	●	●	●	●	●	●	●	●	●
		Saddle Brown	Black	●	●	LCD3	●	●	●	●	●	●	●	●	●	●
Option: 320i/d, 325i/d 330i/d SE	Nappa leather*	Black	Black	●	-	LRSW	●	-	●	●	●	●	●	●	●	●
		Camel	Black	●	-	LRD4	●	-	●	●	●	●	●	●	●	●
		Cream Beige	Cream Beige	●	-	LRGE	●	-	●	●	●	●	●	●	●	●
Option: All	BMW Individual Merino leather	Champagne	Black	●	●	ZACM	●	●	●	●	●	●	●	●	●	●
		Cohiba Brown	Black	●	●	ZAWT	●	●	●	●	●	●	●	●	●	●
		Platinum	Black	●	●	ZAC8	●	●	●	●	●	●	●	●	●	●
		Rust Brown	Black	●	●	ZAP2	●	●	●	●	●	●	●	●	●	●
Option: All	BMW Individual Full Merino leather	Champagne	Black	●	●	ZBCM	●	●	●	●	●	●	●	●	●	●
		Platinum	Black	●	●	ZBC8	●	●	●	●	●	●	●	●	●	●
		Rust Brown	Black	●	●	ZBP2	●	●	●	●	●	●	●	●	●	●

Key ● = Available - = Not available * = Not available on M Sport models ** = Only available on M Sport models

The above table shows all available exterior and upholstery colour combinations. To view colour samples please consult your local BMW Dealer who will be happy to assist you with your choices. Alternatively, further combination details can be found on the 'Build your BMW' section of the www.bmw.co.uk website.

Model	Upholstery	Upholstery colour	Interior colour	Upholstery code	SE models									
					Interior trim								BMW Individual Interior trim	
					4CG	4AT	4BX	4B9	4AB	4A3	4AS	XE2	XE3	XE8
Standard: SE	Fluid cloth*	Anthracite	Black	ALAT	●	○	○	○	○	○	○	○	○	○
		Grey	Grey	ALAD	●	○	○	○	○	○	○	○	○	○
Standard: M Sport	Blue Shadow cloth / Alcantara**	Anthracite	Black	ANAT	-	-	-	-	-	-	-	-	-	-
Option: SE	Pearlpoint cloth / leather*	Anthracite / Black	Black	FHAT	●	○	○	○	○	○	○	○	○	○
Option: All	Dakota leather	Black	Black	LCSW	●	○	○	○	○	○	○	○	○	○
		Coral Red	Black	LCD1	●	○	○	○	○	○	○	○	○	○
		Cream Beige	Cream Beige	LCGE	●	○	○	○	○	○	○	○	○	○
		Grey	Grey	LCAD	●	○	○	○	○	○	○	○	○	○
		Jade Grey	Black	LCD2	●	○	○	○	○	○	○	○	○	○
		Saddle Brown	Black	LCD3	●	○	○	○	○	○	○	○	○	○
Option: 320i/d, 325i/d 330i/d SE	Nappa leather*	Black	Black	LRSW	-	●	○	○	○	○	○	○	○	○
		Camel	Black	LRD4	-	●	○	○	○	○	○	○	○	○
		Cream Beige	Cream Beige	LRGE	-	●	○	○	○	○	○	○	○	○
Option: All	BMW Individual Merino leather	Champagne	Black	ZACM	●	○	○	○	○	○	○	○	○	○
		Cohiba Brown	Black	ZAWT	●	○	○	○	○	○	○	○	○	○
		Platinum	Black	ZAC8	●	○	○	○	○	○	○	○	○	○
		Rust Brown	Black	ZAP2	●	○	○	○	○	○	○	○	○	○
Option: All	BMW Individual Full Merino leather	Champagne	Black	ZBCM	●	○	○	○	○	○	○	○	○	○
		Platinum	Black	ZBC8	●	○	○	○	○	○	○	○	○	○
		Rust Brown	Black	ZBP2	●	○	○	○	○	○	○	○	○	○

Key ● = Standard interior trim ○ = Interior trim available at extra cost
 - = Not available * = Not available on M Sport models ** = Only available on M Sport models

The above table shows all available exterior and upholstery colour combinations. To view colour samples please consult your local BMW Dealer who will be happy to assist you with your choices. Alternatively, further combination details can be found on the 'Build your BMW' section of the www.bmw.co.uk website.

Model	Upholstery	Upholstery colour	Interior colour	Upholstery code	M Sport models								
					Interior trim						BMW Individual Interior trim		
					4MG	4B9	4AB	4A3	4AS	XE2	XE3	XE8	
Standard: SE	Fluid cloth*	Anthracite	Black	ALAT	-	-	-	-	-	-	-	-	-
		Grey	Grey	ALAD	-	-	-	-	-	-	-	-	-
Standard: M Sport	Blue Shadow cloth / Alcantara**	Anthracite	Black	ANAT	●	◇	○	○	○	○	○	○	○
Option: SE	Pearlpoint cloth / leather*	Anthracite / Black	Black	FHAT	-	-	-	-	-	-	-	-	-
Option: All	Dakota leather	Black	Black	LCSW	●	◇	○	○	○	○	○	○	○
		Coral Red	Black	LCD1	●	◇	○	○	○	○	○	○	○
		Cream Beige	Cream Beige	LCGE	●	◇	○	○	○	○	○	○	○
		Grey	Grey	LCAD	●	◇	○	○	○	○	○	○	○
		Jade Grey	Black	LCD2	●	◇	○	○	○	○	○	○	○
		Saddle Brown	Black	LCD3	●	◇	○	○	○	○	○	○	○
Option: 320i/d, 325i/d 330i/d SE	Nappa leather*	Black	Black	LRSW	-	-	-	-	-	-	-	-	-
		Camel	Black	LRD4	-	-	-	-	-	-	-	-	-
		Cream Beige	Cream Beige	LRGE	-	-	-	-	-	-	-	-	-
Option: All	BMW Individual Merino leather	Champagne	Black	ZACM	●	◇	○	○	○	○	○	○	○
		Cohiba Brown	Black	ZAWT	●	◇	○	○	○	○	○	○	○
		Platinum	Black	ZAC8	●	◇	○	○	○	○	○	○	○
		Rust Brown	Black	ZAP2	●	◇	○	○	○	○	○	○	○
Option: All	BMW Individual Full Merino leather	Champagne	Black	ZBCM	●	◇	○	○	○	○	○	○	○
		Platinum	Black	ZBC8	●	◇	○	○	○	○	○	○	○
		Rust Brown	Black	ZBP2	●	◇	○	○	○	○	○	○	○

Key ● = Standard interior trim ◇ = Interior trim available at no cost ○ = Interior trim available at extra cost
 - = Not available * = Not available on M Sport models ** = Only available on M Sport models

The above table shows all available exterior and upholstery colour combinations. To view colour samples please consult your local BMW Dealer who will be happy to assist you with your choices. Alternatively, further combination details can be found on the 'Build your BMW' section of the www.bmw.co.uk website.

	Carpet	Floor mats	Dashboard		Seats		Doors		
			Lower	Upper	Seat back	Seat facing	Door insert	Door casing	Door armrest

Fluid cloth upholstery

Anthracite	Anthracite	Anthracite	Black	Black	Black	Anthracite	Black	Black	Black
Grey	Grey	Grey	Grey	Black	Grey	Grey	Grey	Grey	Grey

Blue Shadow cloth / Alcantara upholstery

Anthracite	Anthracite	Anthracite	Black	Black	Black	Anthracite / Blue	Anthracite / Blue	Black	Black
-------------------	------------	------------	-------	-------	-------	-------------------	-------------------	-------	-------

Pearlpoint cloth / leather upholstery

Anthracite / Black	Anthracite	Anthracite	Black	Black	Black	Anthracite	Black	Black	Black
---------------------------	------------	------------	-------	-------	-------	------------	-------	-------	-------

Dakota leather upholstery

Black	Anthracite	Anthracite	Black	Black	Black	Black	Black	Black	Black
Coral Red	Anthracite	Anthracite	Black	Black	Black	Coral Red	Coral Red	Black	Coral Red
Cream Beige	Cream Beige	Cream Beige	Cream Beige	Black	Cream Beige	Cream Beige	Cream Beige	Cream Beige	Cream Beige
Grey	Grey	Grey	Grey	Black	Grey	Grey	Grey	Grey	Grey
Jade Grey	Anthracite	Anthracite	Black	Black	Black	Jade Grey	Jade Grey	Black	Jade Grey
Saddle Brown	Anthracite	Anthracite	Black	Black	Black	Saddle Brown	Saddle Brown	Black	Saddle Brown

Nappa leather upholstery



Black	Anthracite	Anthracite	Black	Black	Black	Black	Black	Black	Black
Camel	Anthracite	Black	Black	Black	Black	Camel	Camel	Black	Camel
Cream Beige	Cream Beige	Cream Beige	Cream Beige	Black	Cream Beige	Cream Beige	Cream Beige	Cream Beige	Cream Beige

BMW Individual Merino leather upholstery

Champagne	Anthracite	Anthracite	Black	Black	Champagne	Champagne	Champagne	Black	Champagne
Cohiba Brown	Anthracite	Anthracite	Black	Black	Cohiba Brown	Cohiba Brown	Cohiba Brown	Black	Cohiba Brown
Platinum	Anthracite	Anthracite	Black	Black	Platinum	Platinum	Platinum	Black	Platinum
Rust Brown	Anthracite	Anthracite	Black	Black	Rust Brown	Rust Brown	Rust Brown	Black	Rust Brown



BMW Individual Full Merino leather upholstery

Champagne	Anthracite	Anthracite	Champagne	Black	Champagne	Champagne	Champagne	Black	Champagne
Platinum	Anthracite	Anthracite	Platinum	Black	Platinum	Platinum	Platinum	Black	Platinum
Rust Brown	Anthracite	Anthracite	Rust Brown	Black	Rust Brown	Rust Brown	Rust Brown	Black	Rust Brown

		Star-spoke style 157	Star-spoke style 185	Radial-spoke style 187
Wheel size	Front / rear	8 J x 17	8 J x 17	8 J x 17
Tyre size	Front / rear	225/45 R17	225/45 R17	225/45 R17
	Option code	2C4	2C5	2HC
				
320i SE, 320d SE		●	£100	£170
325i SE, 325d SE		●	£100	£170
330i SE, 330d SE		-	●	£75
335i SE, 335d SE		-	-	-

		V-spoke style 188	Star-spoke style 189	Star-spoke style 230
Wheel size	Front / rear	8 J x 17 / 8.5 J x 17	8 J x 18 / 8.5 J x 18	8 J x 19 / 9 J x 19
Tyre size	Front / rear	225/45 R17 / 255/40 R17	225/40 R18 / 255/35 R18	225/35 R19 / 255/30 R19
	Option code	2KE	2C6	2R4
				
320i SE, 320d SE		£435	£870	£1,315
325i SE, 325d SE		£435	£870	£1,315
330i SE, 330d SE		£345	£780	£1,225
335i SE, 335d SE		●	£435	£880

Key ● = Standard £ = Optional - = Not available

		M Star-spoke style 193 M	M Double-spoke style 225 M
Wheel size	Front / rear	8 J x 18 / 8.5 J x 18	8 J x 19 / 9 J x 19
Tyre size	Front / rear	225/40 R18 / 255/35 R18	225/35 R19 / 255/30 R19
	Option code	2MF	2MP
			
320i/d M Sport		●	£455
325i/d M Sport		●	£455
330i/d M Sport		●	£455
335i/d M Sport		●	£455

		BMW Individual V-spoke style 152 I*	BMW Individual V-spoke style 228 I*
Wheel size	Front / rear	8 J x 18 / 8.5 J x 18	8 J x 19 / 9 J x 19
Tyre size	Front / rear	225/40 R18 / 255/35 R18	225/35 R19 / 255/30 R19
	Option code	2M0	2M8
			
320i SE, 320d SE,		£655	£1,105
325i SE, 325d SE		£655	£1,105
330i SE, 330d SE		£590	£1,035
335i SE, 335d SE		£275	£725

Key

● = Standard £ = Optional

* = Only available in combination with a BMW Individual paintwork or BMW Individual upholstery



The most exclusive way to drive a BMW

The higher your standards, the less room there is for compromise. For drivers with the most exacting standards BMW Individual offers a range of stunning and perfectly-crafted materials to ensure that the expression of individuality has never felt so effortless.

A BMW Individual paint finish is more than just a colour, each has its own characteristic brilliance and complexity. Five layers deep, the depth of colour is more sophisticated than the regular metallic paints thanks to a special pigmentation. Xirallic or Titanium Dioxide pigments create an iridescent effect which gives the colours an unmistakable brilliance in the light.

Inside, the level of exclusivity can be continued with the distinctive yet subtle tones of BMW Individual Merino leather. A painstaking refinement process ensures that the leather is kept soft and supple, retaining a unique feel throughout its life as well as meeting the practical demands of a luxury car. And just to complete the interior, you can choose from the hand-picked wood trims that ensure the perfect grain every time.



Let yourself be inspired with BMW Individual.





BMW EfficientDynamics

	320i SE	320i M Sport	325i SE	325i M Sport	330i SE	330i M Sport	335i SE	335i M Sport	320d SE	320d M Sport	325d SE	325d M Sport	330d SE	330d M Sport	335d SE	335d M Sport	Price
Active Aerodynamics	●	-	●	-	●	-	-	-	-	-	-	-	-	-	-	-	std
Auto Start-Stop	●	●	-	-	-	-	-	-	●	●	-	-	-	-	-	-	std
Brake Energy Regeneration	●	●	●	●	●	●	●	●	●	●	●	●	●	●	●	●	std
Electric Power Steering	●	●	●	●	●	●	-	-	●	●	●	●	●	●	-	-	std
High-precision direct injection	●	●	●	●	●	●	●	●	-	-	-	-	-	-	-	-	std
Optimum Shift Indicator	●	●	●	●	●	●	●	●	●	●	●	●	●	●	-	-	std

Certain BMW EfficientDynamics features may be excluded depending on the optional equipment chosen. Your BMW Dealer will be pleased to provide you with more information.

Transmission

	320i SE	320i M Sport	325i SE	325i M Sport	330i SE	330i M Sport	335i SE	335i M Sport	320d SE	320d M Sport	325d SE	325d M Sport	330d SE	330d M Sport	335d SE	335d M Sport	Price
Automatic transmission 205	○	○	○	○	○	○	-	-	○	○	○	○	○	○	●	●	£1,460
Six-speed automatic transmission with Steptronic and adaptive transmission control including Shiftlock/Interlock. Adapts to personal driving style. Selector lever handle in leather, with inserts in Matt Chrome Pearl Grey. Includes steering wheel mounted gearshift paddles on six-cylinder models.																	£1,555
Seven-speed Double Clutch Transmission (DCT) 2TC	-	-	-	-	-	-	○	○	-	-	-	-	-	-	-	-	£1,605
Seven-speed Double Clutch Transmission allows gear changes without a break in the flow of power to the rear wheels. Choose from manual gear changes via steering wheel mounted gearshift paddles or a fully automated mode. 'Sport' button on the centre console allows selection of shorter shift times. Also features Launch Control.																	

Wheels and chassis

	320i SE	320i M Sport	325i SE	325i M Sport	330i SE	330i M Sport	335i SE	335i M Sport	320d SE	320d M Sport	325d SE	325d M Sport	330d SE	330d M Sport	335d SE	335d M Sport	Price
Active Steering 217	-	-	○	○	○	○	○	○	○	○	○	○	○	○	○	○	£905
At low speeds steering is precise and exact due to a more direct steering ratio. At higher speeds the steering ratio becomes more indirect for enhanced directional stability and safety. Please note that the Electric Power Steering element of BMW EfficientDynamics (where fitted) will be deleted when this option is specified. Not with 3AC on 335i SE / M Sport models.																	

Key Not with – these options are not available for ordering together / = Indicates 'or' ● = Standard ○ = Optional – = Not available

	320i SE	320i M Sport	325i SE	325i M Sport	330i SE	330i M Sport	335i SE	335i M Sport	320d SE	320d M Sport	325d SE	325d M Sport	330d SE	330d M Sport	335d SE	335d M Sport	Price
--	---------	--------------	---------	--------------	---------	--------------	---------	--------------	---------	--------------	---------	--------------	---------	--------------	---------	--------------	-------

Wheels and chassis (cont.)

M Sport suspension 704	○	●	○	●	○	●	●	●	○	●	○	●	○	●	●	●	£265
Stiffer spring/damper set-up with vehicle lowered by 15 mm. Can be deleted on 335i/d SE.																	
Servotronic 216	○	○	○	○	○	○	-	-	○	○	○	○	○	○	-	-	£170
Varies the level of steering assistance according to the vehicle's speed. At low speeds the system provides a high level of assistance, making steering lighter for the driver. As the speed increases, assistance reduces so that contact with the road becomes more direct and the steering more precise.																	

Safety and technology

Active Cruise Control (ACC) 541	-	-	○	○	○	○	○	○	-	-	○	○	○	○	○	○	£775
Controlled by separate steering column stalk. Maintains distance from the car in front in four adjustable distance ranges by braking and accelerating in response to radar sensors in the front bumper. Desired speed and operating mode are displayed in the instrument panel.																	
Adaptive Headlights 524	○	○	○	○	○	○	○	○	○	○	○	○	○	○	○	○	£300
Offers improved visibility by following the steering angle of the front wheels, giving better illumination of the road ahead through corners. Not active when the car is reversing or turned to the right when stationary, to avoid dazzling oncoming traffic. Cornering light for illuminating the road-way when cornering with a suitable angle at speeds of up to 45 mph (65 km/h). Cornering light also activated at speeds up to 22 mph (35 km/h) when direction indicators are in use. Includes 521.																	£240
High-beam Assistant 5AC	○	○	○	○	○	○	○	○	○	○	○	○	○	○	○	○	£105
High-beam Assistant supports the driver by automatically alternating between low and high beam when there is oncoming traffic and when driving through changing light conditions. The system will switch high-beam on or off automatically. Only with 521. Not with 4NA.																	

Key Only with – these options must be ordered together Not with – these options are not available for ordering together ● = Standard ○ = Optional – = Not available

		320i SE	320i M Sport	325i SE	325i M Sport	330i SE	330i M Sport	335i SE	335i M Sport	320d SE	320d M Sport	325d SE	325d M Sport	330d SE	330d M Sport	335d SE	335d M Sport	Price
Safety and technology (cont.)																		
Park Distance Control (PDC), front and rear	508	○	○	○	○	○	○	○	○	○	○	○	○	○	○	○	○	£355
Acoustic (and visual in combination with 606, Navigation system – BMW Business or 609, Navigation system – BMW Professional Multimedia) warning of proximity of obstacles to front or rear of the car. Manual deactivation. Sensors in the bumper painted in body colour.																		
Rain sensor with automatic headlight activation	521	○	○	●	●	●	●	●	●	○	○	●	●	●	●	●	●	£95
Automatic activation/intermittent-wipe control for windscreen wipers and automatic activation of headlights. Included in 358.																		
Seats																		
Lumbar support, driver and front passenger	488	○	○	○	○	○	○	○	○	○	○	○	○	○	○	○	○	£225
Electric height and depth adjustment for an ergonomically perfect seat position and additional support of back muscles.																		
Seat adjustment – front, electric with driver memory	459	○	○	○	●	●	●	●	●	○	○	○	○	○	○	○	○	£835
Electric adjustment of all seat levels for driver and front passenger, with electric easy-entry function. High-rest in combination with sport seats is manually adjustable. Head restraint height has manual adjustment. Two memory positions for driver's seat, including mirror memory for driver's side. Automatic dipping parking function for front passenger mirror in reverse gear.																		
Seat adjustment – front, part-electric	4UA	○	●	●	-	-	-	-	-	○	●	●	-	-	-	-	-	£345
Electric adjustment of seat height and backrest. Manual adjustment of fore/aft position.																		
Seat heating, front	494	○	○	○	○	○	○	○	○	○	○	○	○	○	○	○	○	£275
Seat heating for driver and front passenger. Seat surface and backrest are rapidly heated to add comfort in colder months. Seat heating can be adjusted by a three-stage switch.																		
Sport seats, front	481	○	●	○	●	○	●	●	●	○	●	○	●	○	●	●	●	£420
Length, height, tilt and thigh-rest are manually adjustable, with nets on the rear of the driver and front passenger seat backrests. Including electric adjustment of backrest side bolsters, which ensures optimum lateral support when cornering. Can be deleted on 335i/d SE. Not with LRxx.																		

Key Not with – these options are not available for ordering together ● = Standard ○ = Optional – = Not available

		320i SE	320i M Sport	325i SE	325i M Sport	330i SE	330i M Sport	335i SE	335i M Sport	320d SE	320d M Sport	325d SE	325d M Sport	330d SE	330d M Sport	335d SE	335d M Sport	Price
Exterior equipment																		
Comfort Access	322	○	○	○	○	○	○	○	○	○	○	○	○	○	○	○	○	£490
Keyless access to the vehicle (driver and passenger doors, luggage compartment lid) and keyless starting of the vehicle.																		
Exterior mirrors, folding	313	○	○	○	○	○	○	○	○	○	○	○	○	○	○	○	○	£170
Electrically foldable exterior mirrors. Automatic dipping parking function for front passenger side mirror in reverse gear (standard on six-cylinder models). Key-dependent memory function for exterior mirrors. Not with 430.																		
Exterior mirrors – folding, automatically dimming	430	○	○	○	○	○	○	○	○	○	○	○	○	○	○	○	○	£250
Electrically foldable exterior mirrors with automatic dimming. Includes automatic dipping function on four-cylinder models (standard for six-cylinder models). Not with 313.																		
Exterior trim, Chromeline	346	○	-	●	-	●	-	-	-	○	-	●	-	●	-	-	-	£160
Side frame strip, mirror frames and window recess finisher in chrome.																		
Exterior trim, High-gloss Shadowline	760	○	●	○	●	○	●	○	●	○	●	○	●	○	●	○	●	£345
Side frame strip, mirror triangle/mirror frame and window recess finisher in black high-gloss trim.																		
Model designation deletion	320	○	○	○	○	○	○	○	○	○	○	○	○	○	○	○	○	£0
Removal of model designation from rear																		
Towbar, detachable	3AC	○	○	○	○	○	○	○	○	○	○	○	○	○	○	○	○	£610
Concealed and permanently installed behind bumper. Released electrically when needed by means of switch on right hand side of luggage compartment trim and can be manually pivoted into position. Mechanical lock. For twin-electrics solution, an adaptor is required. Please consult your BMW Dealer. Please note that the Active Aerodynamics element of BMW EfficientDynamics (where fitted) will be removed when this option is specified. Not with 217 on 335i SE / M Sport models.																		

Key Not with – these options are not available for ordering together ● = Standard ○ = Optional – = Not available / = Indicates 'or'

		320i SE	320i M Sport	325i SE	325i M Sport	330i SE	330i M Sport	335i SE	335i M Sport	320d SE	320d M Sport	325d SE	325d M Sport	330d SE	330d M Sport	335d SE	335d M Sport	Price
Interior equipment																		
Armrest, front with sliding adjustment Two-part armrest with sliding segment.	4AE	○	○	○	○	○	○	○	○	○	○	○	○	○	○	○	○	£110
Climate Comfort windscreen Infrared reflective laminate for the windscreen, keeping cabin cooler in direct sunlight. Includes 521.	358	○	○	○	○	○	○	○	○	○	○	○	○	○	○	○	○	£175
Extended storage Includes storage nets in luggage compartment, luggage compartment floor net, luggage compartment bag holder, 12V power supply in luggage compartment.	493	○	○	○	○	○	○	○	○	○	○	○	○	○	○	○	○	£45
Glass sunroof Glass sunroof with integrated slipstream deflector and sun protection with floating headliner. Convenient opening feature operated by car key and one-touch function.	403	○	○	○	○	○	○	○	○	○	○	○	○	○	○	○	○	£735
Headlining, Anthracite	775	○	●	○	●	○	●	○	●	○	●	○	●	○	●	○	●	£195
Smoker's package deletion Deletion of smoker's package, replaces ashtray and lighter with an open storage area. Please note the 12V socket is not fitted in the centre console in this instance. The one in the armrest remains, and an additional one is provided in the front passenger footwell.	441	○	○	○	○	○	○	○	○	○	○	○	○	○	○	○	○	£0
Sunblind – rear windscreen, electric Roller blind for rear windscreen with electric operation.	415	○	○	○	○	○	○	○	○	○	○	○	○	○	○	○	○	£255
Sun protection glass Dark tinted glass for rear windscreen and rear side windows.	761	○	○	○	○	○	○	○	○	○	○	○	○	○	○	○	○	£215
Rear-view mirror, with digital compass LED compass readout indicating direction of travel, displayed within rear-view mirror. Not with 5AC.	4NA	○	○	○	○	○	○	○	○	○	○	○	○	○	○	○	○	£60
Through-loading ski bag For clean and safe transportation of up to four pairs of skis with up to four people on board. If the ski bag is not required, it can be tucked away out of sight.	464	○	○	○	○	○	○	○	○	○	○	○	○	○	○	○	○	£135

Key

Not with – these options are not available for ordering together

● = Standard ○ = Optional

		320i SE	320i M Sport	325i SE	325i M Sport	330i SE	330i M Sport	335i SE	335i M Sport	320d SE	320d M Sport	325d SE	325d M Sport	330d SE	330d M Sport	335d SE	335d M Sport	Price
Interior equipment (cont.)																		
Universal remote control Replaces up to three remote controls, for remote control of garage doors, driveway gates etc. Integrated into the rear-view mirror. Please ensure technical compatibility with a BMW Dealer before ordering.	319	○	○	○	○	○	○	○	○	○	○	○	○	○	○	○	○	£170
Steering wheels																		
Steering wheel heating Not with LRxx.	248	○	–	○	–	○	–	○	–	○	–	○	–	○	–	○	–	£145
Audio and communication																		
Bluetooth telephone audio connection Allows playback of audio files from a mobile phone with integrated MP3 player through a snap-in adaptor in the centre console. Available only in conjunction with 6FL, USB audio interface, the option provides a simultaneous connection of a mobile phone with integrated MP3 player and a memory stick. Snap-in adaptor to be purchased separately. Only with 633 / 644 and 6FL.	6NF	○	○	○	○	○	○	○	○	○	○	○	○	○	○	○	○	£70
Bluetooth telephone preparation Bluetooth telephone preparation. Please note that this does not include a handset or phone cradle. These need to be purchased separately. Consult your BMW Dealer for details of compatible phones, or go to www.bmw.co.uk/bluetooth . Not with 606 / 609 / 612 / 616.	644	○	○	○	○	○	○	○	○	○	○	○	○	○	○	○	○	£525

Key

Only with – these options must be ordered together

Not with – these options are not available for ordering together

/ = Indicates 'or'

○ = Optional – = Not available

		320i SE	320i M Sport	325i SE	325i M Sport	330i SE	330i M Sport	335i SE	335i M Sport	320d SE	320d M Sport	325d SE	325d M Sport	330d SE	330d M Sport	335d SE	335d M Sport	Price
Audio and communication (cont.)																		
Bluetooth telephone preparation with telematics	633	○	○	○	○	○	○	○	○	○	○	○	○	○	○	○	○	£525
Bluetooth telephone preparation with the addition of a pre-fitted telematic SIM card for the use of BMW ConnectedDrive services. Only available in conjunction with a navigation system – 606 / 609 which includes 612, BMW ConnectedDrive – Assist and 616, BMW ConnectedDrive – Online. Only with 606 / 609 and 612 and 616.																		
BMW ConnectedDrive – Assist	612	○	○	○	○	○	○	○	○	○	○	○	○	○	○	○	○	£0
Telematics services with automatic and manual 999 emergency SOS call, BMW Breakdown Service, My Info with Google send to car function and Information Plus (location-based operator service). Includes subscription to services for three years (customer registration required to activate services). Automatically included with a Navigation system – 606 / 609, 616 BMW ConnectedDrive – Online and 633 Bluetooth telephone preparation with telematics. Only with 606 / 609 and 616 and 633.																		
BMW ConnectedDrive – Online	616	○	○	○	○	○	○	○	○	○	○	○	○	○	○	○	○	£0
WAP-based vehicle browser with access to the BMW Online portal. Services include news, with the ability to set up RSS news feeds, weather and the Google local search, a business listing search facility. Includes subscription to the services for three years (customer registration required to activate services). Please note function disabled when vehicle is in motion. Automatically included with a Navigation system – 606 / 609, 612 BMW ConnectedDrive – Assist and 633 Bluetooth telephone preparation with telematics. Only with 606 / 609 and 612 and 633.																		

Key Only with – these options must be ordered together / = Indicates 'or'

○ = Optional

		320i SE	320i M Sport	325i SE	325i M Sport	330i SE	330i M Sport	335i SE	335i M Sport	320d SE	320d M Sport	325d SE	325d M Sport	330d SE	330d M Sport	335d SE	335d M Sport	Price
Audio communication (cont.)																		
BMW Individual audio system	752	-	-	○	○	○	○	○	○	-	-	○	○	○	○	○	○	£1,405
825W power amplifier featuring 16 high-performance speakers with exclusive neodym magnet drives, hexacone diaphragms and DIRAC signal processing which enable a perfectly timed acoustic experience in all seats. Volume and equaliser settings adjust automatically to the vehicle speed. Only on M Sport models, or SE models with leather upholstery.																		
CD changer	672	○	○	○	○	○	○	○	○	○	○	○	○	○	○	○	○	£290
CD changer for six CDs located in the luggage compartment. MP3 compatible.																		
DAB digital radio	654	○	○	○	○	○	○	○	○	○	○	○	○	○	○	○	○	£305
Enables reception of digital audio programmes.																		
Loudspeaker system – BMW Business	676	○	○	○	○	○	○	○	○	○	○	○	○	○	○	○	○	£380
Loudspeaker system with a total of 10 loudspeakers, 3-way system with: – 4 midrange speakers (2 in the front doors, 2 in the rear side trim) – 4 tweeters (2 in the front doors, 2 in the rear side trim). Output power with a total of 4 x 25 W – 2 central bass speakers (underneath the seats). Output power 2 x 40 W Amplifier with vehicle-specific equalising.																		
Loudspeaker system – LOGIC7 Professional	677	○	○	○	○	○	○	○	○	○	○	○	○	○	○	○	○	£805
LOGIC7 Professional loudspeaker system with a total of 13 loudspeakers: – 2 high-power central bass speakers, output power 2 x 70 W – 6 high-power midrange speakers (2 in the front doors, 2 in the rear side trim, 2 in parcel shelf) – 4 high-power tweeters (2 in front doors, 2 in the rear side trim) – 1 high-power midrange speaker in the middle of the instrument panel. Total output power of tweeters and midrange speakers 7 x 40 W. Selectable surround function and vehicle and speed-specific equalising.																		

Key ○ = Optional – = Not available

		320i SE	320i M Sport	325i SE	325i M Sport	330i SE	330i M Sport	335i SE	335i M Sport	320d SE	320d M Sport	325d SE	325d M Sport	330d SE	330d M Sport	335d SE	335d M Sport	Price
Audio and communication (cont.)																		
Navigation system – BMW Business	606	○	○	○	○	○	○	○	○	○	○	○	○	○	○	○	○	£1,530
6.5" colour monitor, map and arrow display, dynamic route planning. Features: – iDrive Controller with intuitive operation and shortcut buttons – Single DVD drive for audio and navigation – FM/AM/LW RDS twin tuner with TMC (Traffic Message Channel) – Title search – Forward and reverse – Scan, random – Operating knob with decorative ring in Matt Chrome Pearl Grey – Favourite buttons (eight programmable buttons for iDrive functions) Extended Personal Profile functions can be set by means of iDrive, including On-Board Computer with extended functions. Note – if a telephone system is also required, please specify 633 Bluetooth telephone preparation with telematics, 612 BMW ConnectedDrive – Assist and 616 BMW ConnectedDrive – Online. Not with 601 / 609 / 644.																		
Navigation system – BMW Professional Multimedia	609	○	○	○	○	○	○	○	○	○	○	○	○	○	○	○	○	£1,925
– High resolution Control Display with 8.8" colour flat screen (LCD), divided into main window and assistant window – iDrive Controller with intuitive operation and shortcut buttons – Built in hard disc drive for improved speed of operation and data storage – Detailed navigation map and options to enhance route planning – Multimedia capability with 12GB storage for audio files – Favourite buttons (eight programmable buttons for iDrive functions) – DVD playback functionality Note – if a telephone system is also required, please specify 633, Bluetooth telephone preparation with telematics, 612 BMW ConnectedDrive – Assist and option 616 BMW ConnectedDrive – Online. Not with 606 / 644.																		

Key Not with – these options are not available for ordering together / = Indicates 'or' ○ = Optional

		320i SE	320i M Sport	325i SE	325i M Sport	330i SE	330i M Sport	335i SE	335i M Sport	320d SE	320d M Sport	325d SE	325d M Sport	330d SE	330d M Sport	335d SE	335d M Sport	Price
Audio and communication (cont.)																		
TV function	601	○	○	○	○	○	○	○	○	○	○	○	○	○	○	○	○	£795
With hybrid video module for analogue and digital TV reception when vehicle is stationary. Only with 609.																		
USB audio interface	6FL	○	○	○	○	○	○	○	○	○	○	○	○	○	○	○	○	£200
Interface for an MP3 player or USB memory-stored music files. Track selection possible via iDrive Controller or steering wheel multi-function buttons. Please consult your BMW Dealer for details or compatibility. An additional adaptor cable may be required.																		
Voice Control	620	○	○	○	○	○	○	○	○	○	○	○	○	○	○	○	○	£315
In combination with 609 and 633 and Z4F. Voice control of various telephone, entertainment and navigation functions: – Audio sources, tracks – Air conditioning settings – Navigation displays – Telephone Only with 606 / 609.																		
		○	○	○	○	○	○	○	○	○	○	○	○	○	○	○	○	£0

Key Only with – these options must be ordered together / = Indicates 'or' ○ = Optional

		320i SE	320i M Sport	325i SE	325i M Sport	330i SE	330i M Sport	335i SE	335i M Sport	320d SE	320d M Sport	325d SE	325d M Sport	330d SE	330d M Sport	335d SE	335d M Sport	Price
Paintwork, upholstery and trims																		
Non-metallic paintwork	uni	●	●	●	●	○	○	○	○	●	●	●	●	○	○	○	○	£0
Metallic paintwork	met	○	○	○	○	●	●	●	●	○	○	○	○	●	●	●	●	£580
BMW Individual paintwork	Ind	○	○	○	○					○	○	○	○					£1,305
						○	○	○	○					○	○	○	○	£775
Fluid cloth upholstery Cloth upholstery on standard seats.	AL	●	-	●	-	●	-	●	-	●	-	●	-	●	-	●	-	std
Blue Shadow cloth / Alcantara upholstery Blue Shadow cloth and Alcantara upholstery. Standard on M Sport models. Seat base and back in Blue Shadow cloth. Side support on back and base in Alcantara upholstery.	AN	-	●	-	●	-	●	-	●	-	●	-	●	-	●	-	●	std
Pearlpoint cloth / leather combination Including handbrake lever gaiter and gearshift lever/gearshift lever gaiter in leather, and handbrake lever grip in artificial leather. Includes 481.	FH	○	-	○	-	○	-	-	○	-	○	-	○	-	-	-	-	£950
								○							○			£530
Dakota leather upholstery Including gearshift/selector lever, handbrake lever grip in leather and sun visors with cloth finish. Seat upholstery stitched with double-lapped seams.	LC	○		○		○		○		○		○		○		○		£1,215
			○		○		○		○		○		○		○		○	£1,005
Nappa leather upholstery Including gaiters, gearshift / selector lever, handbrake lever grip in leather and sun visors with cloth finish. Includes option 4AT, Black high-gloss interior trim on SE models. Not with 481.	LR	○	-	○	-	○	-	-	○	-	○	-	○	-	-	-	-	£1,780
BMW Individual Merino leather upholstery Content in BMW Individual Merino leather colour: Front and rear seats, including head restraints, front seat backrests, door trim panel inserts, door-pull handles, armrests in doors and centre console. Only with 775.	ZA	○		○		○		○		○		○		○		○		£2,405
			○		○		○		○		○		○		○		○	£2,190
BMW Individual Full Merino leather upholstery Content in BMW Individual Merino leather colour: Front and rear seats, including head restraints, front seat backrests, door trim panels, door-pull handles, armrests in doors and centre console, map pockets in doors, centre console sides, front instrument panel lower section, handbrake lever gaiter, gearshift lever gaiter (except with 2TC where it is Black Nasca leather) and selector lever gaiter. Only with 775 and 606 / 609.	ZB	○		○		○		○		○		○		○		○		£3,835
			○		○		○		○		○		○		○		○	£3,625

Key Only with – these options must be ordered together ● = Standard ○ = Optional -- = Not available
 Not with – these options are not available for ordering together
 / = Indicates 'or'

		320i SE	320i M Sport	325i SE	325i M Sport	330i SE	330i M Sport	335i SE	335i M Sport	320d SE	320d M Sport	325d SE	325d M Sport	330d SE	330d M Sport	335d SE	335d M Sport	Price
Paintwork, upholstery and trims (cont.)																		
Interior trim, Satin Silver Interior trim finisher for the instrument panel, centre console and doors in Satin Silver.	4CG	●	-	●	-	●	-	●	-	●	-	●	-	●	-	●	-	std
Interior trim, Aluminium Glacier Silver Interior trim finisher for the instrument panel, centre console and doors in Aluminium Glacier Silver.	4MG	-	●	-	●	-	●	-	●	-	●	-	●	-	●	-	●	std
Interior trim, Black, high-gloss	4AT	○	-	○	-	○	-	○	-	○	-	○	-	○	-	○	-	£75
In combination with LRxx. Interior trim finisher for the instrument panel, centre console and doors in Black high-gloss. Standard in combination with Nappa leather upholstery.		●	-	●	-	●	-	●	-	●	-	●	-	●	-	●	-	std
Interior trim, Grey, high-gloss Interior trim finisher for the instrument panel, centre console and doors in Grey high-gloss.	4BX	○	-	○	-	○	-	○	-	○	-	○	-	○	-	○	-	£75
Interior trim, Fine Brushed Aluminium Interior trim finisher for the instrument panel, centre console and doors in Fine Brushed Aluminium.	4B9	○		○		○		○		○		○		○		○		£245
			○		○		○		○		○		○		○		○	£0
Interior trim, Burr Walnut wood Interior trim finisher for the instrument panel, centre console and doors in Burr Walnut wood.	4AB	○		○		○		○		○		○		○		○		£330
			○		○		○		○		○		○		○		○	£90
Interior trim, Dark Grey Poplar wood Interior trim finisher for the instrument panel, centre console and doors in Dark Grey Poplar wood.	4AS	○		○		○		○		○		○		○		○		£330
			○		○		○		○		○		○		○		○	£90
Interior trim, Light Walnut wood Interior trim finisher for the instrument panel, centre console and doors in Light Walnut wood.	4A3	○		○		○		○		○		○		○		○		£330
			○		○		○		○		○		○		○		○	£90
Interior trim, BMW Individual Anthracite Maple Interior trim finisher for the instrument panel, centre console and doors in Anthracite Maple wood.	XE2	○		○		○		○		○		○		○		○		£555
			○		○		○		○		○		○		○		○	£355
Interior trim, BMW Individual Piano Black with inlay Interior trim finisher for the instrument panel, centre console and doors in Piano Black with inlay.	XE8	○		○		○		○		○		○		○		○		£555
			○		○		○		○		○		○		○		○	£355
Interior trim, BMW Individual Red Brown Figured Eucalyptus Interior trim finisher for the instrument panel, centre console and doors in Red Brown Figured Eucalyptus wood.	XE3	○		○		○		○		○		○		○		○		£555
			○		○		○		○		○		○		○		○	£355

Key ● = Standard ○ = Optional -- = Not available



	320i SE	320i M Sport	325i SE	325i M Sport	330i SE	330i M Sport	335i SE	335i M Sport	320d SE	320d M Sport	325d SE	325d M Sport	330d SE	330d M Sport	335d SE	335d M Sport	Price
Options available from your dealer																	
BMW Service Inclusive	Covers the cost of labour and parts for all routine servicing for 5 years or 60,000 miles, whichever comes first. Cover includes: brake fluid, air filters, micro filters, fuel filter (diesel models only), spark plugs, oil filters, engine oil. Transferable to subsequent owners.																
5 years / 60,000 miles	○	○	○	○	○	○	○	○	○	○	○	○	○	○	○	○	<p>£685</p> <p>£790</p>
BMW Service Inclusive Plus	Covers the cost of labour, parts and lubricants for all routine servicing and maintenance for 5 years or 60,000 miles, whichever comes first. Cover includes: brake pads, brake discs, brake sensors, brake fluid, air filters, micro filters, fuel filter (diesel models only), spark plugs, oil filters, engine oil, clutch assembly (only if worn) and wiper blade rubbers. Transferable to subsequent owners.																
5 years / 60,000 miles	○	○	○	○	○	○	○	○	○	○	○	○	○	○	○	○	<p>£1,605</p> <p>£1,850</p>
BMW Trackstar	○	○	○	○	○	○	○	○	○	○	○	○	○	○	○	○	£214.34*
24-hour vehicle tracking device utilising GSM, GPS technology and a vehicle movement sensor. (Meets Thatcham Quality Accreditation – TQA.)																	
BMW Trackstar5	○	○	○	○	○	○	○	○	○	○	○	○	○	○	○	○	£439.45*
24-hour vehicle tracking device utilising GSM, GPS technology, a vehicle movement sensor and a driver authentication device. (Meets Thatcham Category 5 Accreditation – Cat 5.)																	

Key / = Indicates 'or'
 ○ = Optional
 * = Prices exclude fitment or subscription. Please consult your BMW Dealer for further details.

Services and Benefits.

Warranties

Every BMW registered is protected by a Dealer Warranty, which provides cover for 3 years' unlimited mileage. In addition, every BMW is covered by an unlimited mileage, twelve years' anti-corrosion warranty and three years' paintwork warranty.

Full details of these warranties are available from your BMW Dealer and are provided in the BMW Warranty and Emergency Service Handbook.

BMW Emergency Service

BMW Emergency Service is the only roadside and assistance programme designed specifically for BMW vehicles offering an exceptional range of benefits and services. It is available 24 hours a day, 7 days a week and utilises a dedicated fleet of BMW Approved Technicians, equipped with Genuine BMW Parts and tools, ensuring that you and your vehicle receive the best possible care in the event of any motoring emergency. This tailor-made programme has been specifically designed to meet the needs of BMW drivers travelling in the UK and Continental Europe giving complete reassurance and peace of mind. Every new BMW is covered for three years.



BMW Magazine

Every new BMW customer receives a complimentary subscription to BMW Magazine. This lifestyle publication features all the latest news and developments from BMW, including interesting interviews, sporting news, travel experiences and art stories.

Finance and Insurance from BMW.

BMW Financial Services

Chances are, you've already decided on the BMW you want to drive. Now discover the perfect finance solution to get you behind the wheel. BMW Financial Services offers a range of tailor-made finance packages to suit you and your budget.

And to help you, at every BMW Dealership, there's a Financial Services Specialist – a dedicated expert who'll find the perfect solution for you. They'll talk you through the options and help you come to the right decision.

Our comprehensive range of finance and insurance products include:

- **BMW Select (Personal Contract Purchase)**
- **BMW Hire Purchase**
- **BMW Contract Hire**
- **BMW Car Insurance**
- **BMW Home Insurance**
- **BMW Travel Insurance**

For details of your local BMW Dealer, please call 0800 325600. Further information on our finance products can be found at www.bmw.co.uk

Finance is subject to status and available to over 18's in the UK only (excludes the Channel Islands). Guarantees and indemnities may be required. Finance is provided by BMW Financial Services, Europa House, Bartley Way, Hook, Hampshire, RG27 9UF.

BMW Car Insurance

Driving a BMW shows that you refuse to compromise on the quality of your car so why should your car insurance be any different? Designed for you, BMW Car Insurance offers cover that can help give you peace of mind.

Call BMW Car Insurance today on 0870 0240 520.

Lines open 8am – 8pm Monday to Friday, 9am – 5pm Saturdays. Max call charge from a BT landline is 8p a minute. Calls from other networks may vary.

BMW Car Insurance is underwritten by UK Insurance Limited. The Wharf, Neville Street, Leeds, LS1 4AZ, which is authorised and regulated by The Financial Services Authority.

BMW ConnectedDrive.

BMW ConnectedDrive provides telematic and online services that are fully integrated with your navigation and Bluetooth telephone system. The services provide you and your passengers access to key information from within the vehicle, helping you keep safe and in touch.



Emergency 999 SOS call

The emergency SOS call provides a direct link to a 999 emergency call centre. This call can either be activated manually, or in extreme situations the sensors in the vehicle will automatically make the call and transmit your location to the emergency services. In either instance you can be assured that help can be despatched without delay.

Breakdown call

Roadside breakdown assistance is never far away because with BMW ConnectedDrive your vehicle will have a direct link to the BMW Service Centre. This link automatically provides the operator with your vehicle details and position so that a BMW Approved Technician can be despatched quickly and easily.

Information Plus

At the push of a button local information is available wherever you may be in the country, using the Information Plus service. The service is available 24 hours a day, seven days a week and connects you to an operator who will be able to quickly access the information you need. You can request places of interest, from hotels and restaurants to museums or historical attractions. The information is then sent to your car and can then be used in your navigation system to plan a route to your destination, or to make a call on your Bluetooth telephone.

My Info

As a BMW ConnectedDrive customer you will be able to access an internet website from where you, or others, can send information to your vehicle. Multiple addresses and telephone numbers can be sent to your vehicle, they can then be transferred into your navigation system or your Bluetooth telephone. Using the My Info service you can also send residential addresses or business listings via Google Maps. When you have found a place of interest or entered the address in the map, there is a send-to-car function on the website, this will send the address and telephone number to your vehicle.

Remote Services

Remote Services provides you with the facility to contact the BMW Service Centre, who can remotely lock or unlock your vehicle. You will be required to activate your vehicle and set-up your own personal security questions within the ConnectedDrive website. After you have set-up the service, should you be in a situation where you have accidentally locked your keys in the car, the BMW Service Centre will be able to unlock your vehicle. Likewise, if you are not near your car and you cannot remember if you have locked the car, our call centre can remotely lock the vehicle for you.

Extended News and Weather

BMW ConnectedDrive provides you with access to a WAP-based browser which connects to the BMW Online portal. The portal displays the latest Weather forecast and Extended News stories from categories such as World, Business and Sports News.

My News

From your BMW Online portal, My News provides you with a selection of the latest news from internet sources, which can be defined as you desire. Through these RSS news feeds, titles and short summaries of news items from websites will be visible directly in the Control Display of your BMW. This gives you quick access to your favoured news topics and enables you to keep in touch.

Google local search

With the Google local search you can access location based information via Google Maps, from the BMW Online portal in the car. Information such as hotels and restaurants can be requested at the current vehicle location, navigation destination or at any other specific location. The content is taken directly from live Google Maps information. Search results appear in a list format, the addresses can be transferred into the navigation system or the telephone number can be transferred to a Bluetooth telephone. Some search results contain additional information such as opening hours, car park details or pictures of the location.

Routes*

With Routes you have the facility to import a route with multiple stop-off points into the navigation system. BMW Routes provides a number of default routes across Europe for you to import in your car via BMW Online. My Routes allows you to configure your own routes on the ConnectedDrive website. They can be saved onto a USB memory stick and you can import them directly into your vehicle. This provides you with the facility to plan a trip from the comfort of your own home.

*Routes is only applicable to vehicles with 609 BMW Professional Multimedia Navigation system.

BMW ConnectedDrive website

As a BMW ConnectedDrive customer you will have access to an internet website with a route planner, traffic information and text message service. The website provides a link to your vehicle by allowing you to send information to your car. You can also modify your news links for My News, or set-up Remote Services for your car. Additional services such as profile settings and a handy help page are also featured.

A three year BMW ConnectedDrive subscription is included with every vehicle equipped with an optional navigation system (606 or 609) and Bluetooth telephone preparation with telematics (633). In conjunction with Bluetooth telephone preparation with telematics (633), unlimited use of BMW ConnectedDrive is included within the subscription.

In the UK ConnectedDrive services require a connection to a UK mobile telephone network. Services are not available on the Isle of Man or the Channel Islands. Some services are available in other European countries, refer to your BMW dealer for more details. Terms and conditions apply.

Aftersales.

BMW Service Inclusive

Wouldn't it be good to know all your servicing costs in advance? Well, that's exactly what BMW Service Inclusive provides. Once you have decided which of the options best suits your needs, you can simply relax, and look forward to enjoying care-free driving, courtesy of BMW Service Inclusive.

BMW Service Inclusive lasts for 5 years or 60,000 miles (whichever occurs sooner), so all you need to do is decide which option suits you best. BMW Service Inclusive – covering all your vehicle's servicing requirements or BMW Service Inclusive Plus which in addition to servicing also covers maintenance items such as brakes pads, brake discs and windscreen wipers.

Furthermore, BMW Service Inclusive is transferable to subsequent owners within the time and mileage period, enhancing the resale value of your car.*

*For further information please contact your local BMW Dealer.

Genuine BMW Accessories

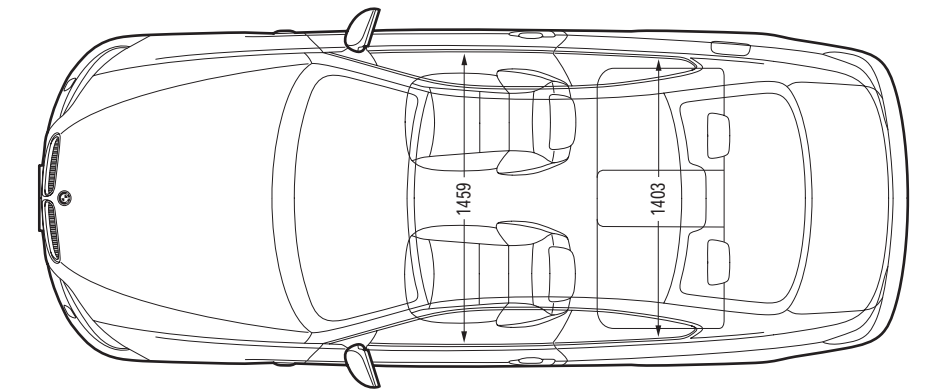
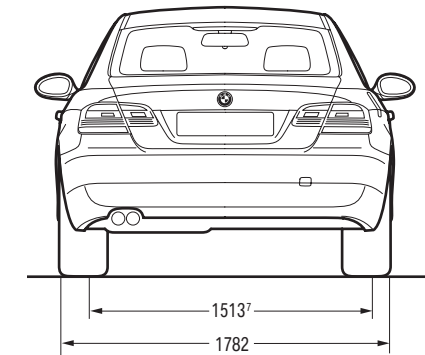
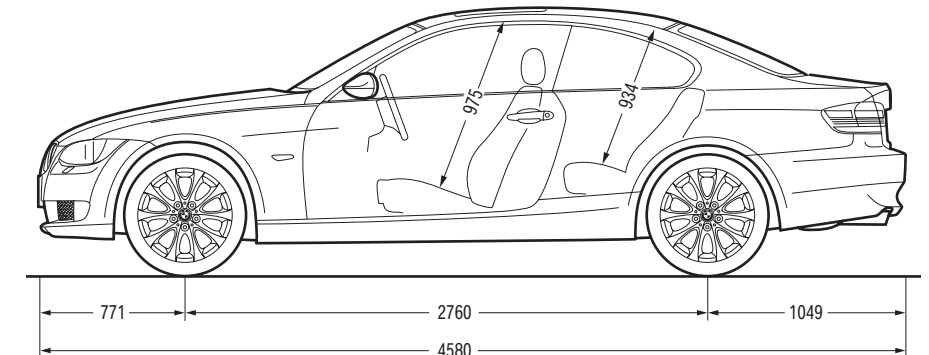
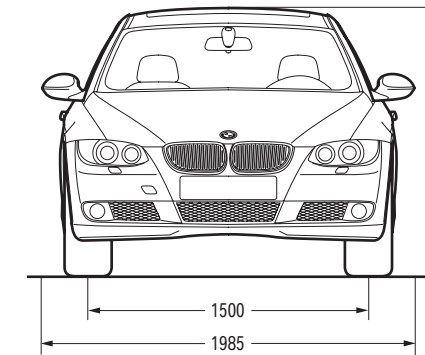
Your choice of car says a great deal about you. Genuine BMW Accessories allow you to make that statement even more personal. There's endless scope for personalising your BMW to suit your needs and style, with a wide range of accessories from exterior and interior styling to mobile communications, all of which have been designed to the same exacting standards as your vehicle. For further details on Genuine BMW Accessories for your BMW, please contact your local BMW Dealer.

BMW Lifestyle

The BMW Lifestyle Collection reflects the exclusivity and versatility of BMW design. This innovative product range demonstrates the highest quality in both materials and functionality. The extensive product portfolio includes clothing and accessories items such as miniatures, keyrings, leather goods, mountain bikes, kids' mobility products, golf accessories, motorsport and yachting products.

BMW 3 Series Coupé

	320i Coupé	325i Coupé	330i Coupé	335i Coupé	320d Coupé	325d Coupé	330d Coupé	335d Coupé
Engine and performance								
Configuration	In line 4 / 4	In line 6 / 4	In line 6 / 4	In line 6 / 4	In line 4 / 4	In line 6 / 4	In line 6 / 4	In line 6 / 4
Displacement [cc]	1995	2996	2996	2979	1995	2993	2993	2993
Stroke / Bore [mm]	90 / 84	88 / 85	88 / 85	89.6 / 84	90 / 84	90 / 84	90 / 84	90 / 84
Power output [hp]	170	218	272	306	177	197	245	286
Torque output [Nm]	210	270	320	400	350	400	520	580
Top speed [mph]	143 (142)	155 ⁶ (155 ⁶)	155 ⁶ (155 ⁶)	155 ⁶ (155 ⁶)	144 (143)	148 (147)	155 ⁶ (155 ⁶)	(155 ⁶)
0-62 mph ¹ [s]	8.1 (8.8)	6.6 (7.0)	6.0 (6.2)	5.5 (5.4)	7.9 (8.0)	7.3 (7.5)	6.0 (6.1)	(5.9)
Fuel consumption and emissions ^{2,3}								
Urban [mpg / l/100km]	32.5 / 8.7 (31.7 / 8.9)	28.8 / 9.8 (29.1 / 9.7)	28.5 / 9.9 (28.5 / 9.9)	21.4 / 13.2 (22.6 / 12.5)	47.1 / 6.0 (39.2 / 7.2)	37.2 / 7.6 (34.9 / 8.1)	38.7 / 7.3 (35.3 / 8.0)	(31.0 / 9.1)
Extra-Urban [mpg / l/100km]	57.6 / 4.9 (55.4 / 5.1)	51.4 / 5.5 (50.4 / 5.6)	50.4 / 5.6 (50.4 / 5.6)	42.2 / 6.7 (42.2 / 6.7)	68.9 / 4.1 (62.8 / 4.5)	61.4 / 4.6 (55.4 / 5.1)	58.9 / 4.8 (54.3 / 5.2)	(53.3 / 5.3)
Combined [mpg / l/100km]	44.8 / 6.3 (43.5 / 6.5)	39.8 / 7.1 (39.8 / 7.1)	39.2 / 7.2 (39.2 / 7.2)	31.0 / 9.1 (32.1 / 8.8)	58.9 / 4.8 (51.4 / 5.5)	49.6 / 5.7 (45.6 / 6.2)	49.6 / 5.7 (45.6 / 6.2)	(42.2 / 6.7)
CO₂ emissions [g/km]	151 (156)	170 (170)	173 (173)	218 (210)	128 (145)	153 (164)	152 (164)	(177)
Emissions classification	EU4	EU4	EU4	EU4	EU5	EU4	EU5	EU4
Additional technical data								
Luggage capacity [l]	440	440	440	430	440	440	440	430
Fuel tank capacity [l]	63	63	63	63	61	61	61	61
Curb weight: DIN/EU ⁴ [kg]	1360 / 1435	1420 / 1495	1470 / 1545	1525 / 1600	1430 / 1505	1515 / 1590	1525 / 1600	1570 / 1645
Axle unloaded ratio DIN [%]	50.1	49.1	49.1	48.3	49.4	48.0	48.3	47.9
Gross weight / Payload [kg]	1810 / 450	1900 / 480	1950 / 480	2005 / 480	1910 / 480	1995 / 480	2005 / 480	2050 / 480
Axle loaded limit front/rear [kg]	880 / 1015	905 / 1045	930 / 1070	960 / 1080	900 / 1050	960 / 1070	970 / 1080	990 / 1090
Trailer load braked ⁵ [kg]	1400 / 1600	1600 / 1700	1700 / 1800	1700 / 1800	1600 / 1800	1800 / 1800	1800 / 1800	1800 / 1800
Trailer load unbraked [kg]	695	745	750	750	745	750	750	750
Roof load limit [kg]	75	75	75	75	75	75	75	75
Drag coefficient [cd]	0.27	0.27	0.27	0.3	0.28	0.28	0.28	0.3



All dimensions in millimetres.

¹ 0-62 mph is equal to 0-100 km/h.

² The petrol engines are designed for RON 98 grade fuel. They can be run on fuel down to RON 91 (for 335i RON 95-98) with a decrease in power.

³ All engines meet at least the EU4 emissions standard. Fuel consumption is determined in accordance with the ECE driving cycle made up of approximately one third urban traffic and two thirds extra-urban driving (based on the distance covered). CO₂ emissions are measured in addition to fuel consumption.

⁴ The figure quoted includes a 90 per cent tank filling, 68 kg for the driver and 7 kg for luggage. Unladen weight applies to vehicles with standard equipment. Optional equipment may increase this figure.

⁵ The overall weight of the trailer may not exceed the maximum permissible trailer load plus the maximum permissible towbar download. Based at 12% / 8%.

⁶ Electronically limited.

⁷ Please note that for 335i/d track is 1507 mm.

Values in () apply to vehicles with six-speed automatic transmission except for the 335i which shows figures for seven-speed Double Clutch Transmission.

More about BMW

Tel. 0800 325 600
www.bmw.co.uk



**The Ultimate
Driving Machine**



This price list is printed on paper which has been sourced from sustainably managed forests.