

The BMW 3 Series
Touring



The Ultimate
Driving Machine

Price List



BMW EfficientDynamics
Less emissions. More driving pleasure.



From March 2009

Contents

- 4 **BMW EfficientDynamics**
- 6 **Technical Introduction**
- 7 **Pricing**
- 8 **Standard Equipment**
- 10 **M Sport**
- 11 **Paintwork**
- 12 **Interior Trim**
- 13 **Upholstery**
- 14 **Paintwork and Upholstery Combinations**
- 15 **Interior Trim and Upholstery Combinations**
- 16 **Colour Linked Parts**
- 17 **Wheels and Tyres**
- 19 **BMW Individual**
- 20 **Optional Equipment**
- 35 **More about BMW**
- 38 **Technical Data**



This is how much has gone in.

The pleasure you get from driving a BMW is the result of fine engineering – always setting the benchmark because it is based on much more than engine power. This is the thinking behind BMW's programme of EfficientDynamics. A change in philosophy, this programme of technologies helps to make positive changes in reducing CO₂ emissions and improving fuel consumption whilst enhancing driving dynamics. Changes for both today and tomorrow. Today's solutions include Brake Energy Regeneration, an innovative process for harnessing energy previously lost. As for tomorrow – even more advanced technologies to improve emissions and fuel consumption as we move towards BMW's vision of CleanEnergy and the use of hydrogen-powered engines. Nothing lost, but much gained. BMW EfficientDynamics: pushing the boundaries in terms of performance and dynamism – without compromise.

High-precision direct injection

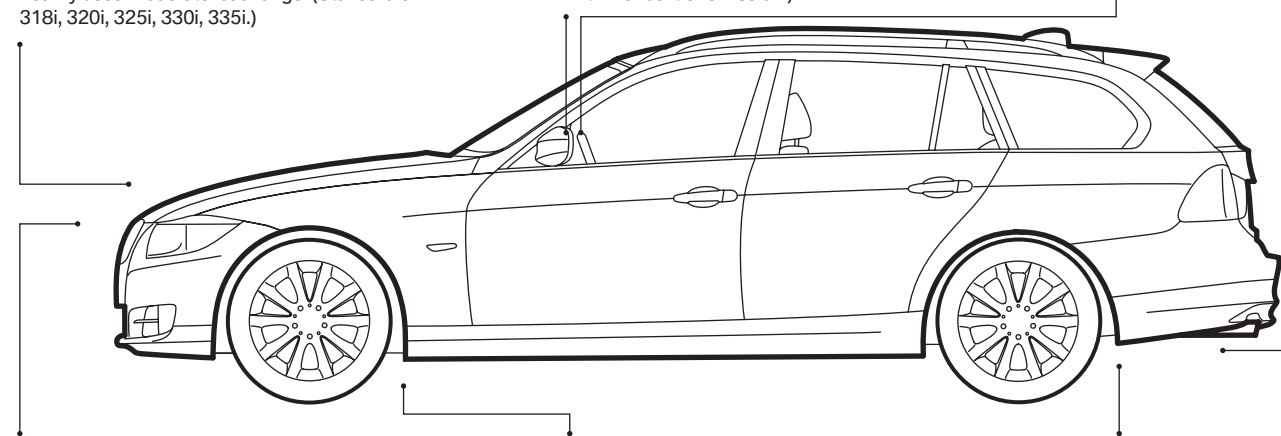
In this cutting-edge generation of petrol direct injection, the Piezo injectors are positioned very close to the spark plugs. They inject the fuel at high pressure and with extreme precision. The injectors' central positioning means only part of the combustion chamber needs to be filled with an ignitable petrol-air mixture. The engine can then run "leanly" and so efficiently, precisely in the heavily used moderate load range. (Standard on 318i, 320i, 325i, 330i, 335i.)

Auto Start-Stop

BMW four-cylinder engines with manual transmission automatically shut down when the vehicle is stationary, for example at a red light or in traffic, when the driver shifts to neutral and releases the clutch. The engine restarts as soon as the clutch is activated again. This innovation significantly reduces fuel consumption especially in city traffic. (Standard on 318i, 320i, 318d, 320d with manual transmission.)

Optimum Shift Indicator

Timely gear shifts are one of the most effective and easiest ways to save fuel. This is where Optimum Shift Indicator in conjunction with six-speed manual transmission comes in. It shows the driver the most fuel-efficient gear to select for any driving situation. (Standard on all models with manual transmission.)



Active Aerodynamics

Engine management signals the engine's current cooling capacity requirements constantly while driving. Rendering a permanent airstream through the radiator unnecessary. The air vents in front of the radiator open or close depending on the environmental temperature and road speed. When shut they improve aerodynamics, shorten the engine's warm-up time and so reduce fuel consumption. (Standard on 318i, 320i, 325i, 330i, excluding M Sport models.)

Electric Power Steering

In comparison with conventional, hydraulic steering systems, the electrical steering only uses energy during actual steering. When the steering wheel position is constant – for example at high speed along the motorway – the electronic motor is inactive. (Standard on 318i, 320i, 325i, 330i, 318d, 320d, 325d, 330d.)

Brake Energy Regeneration

The alternator disengages automatically when the battery is fully charged, only re-engaging when the battery needs charging. In addition, the system engages automatically when the car's brakes are applied or when coasting, to recycle otherwise wasted energy. (Standard on all models.)

Certain BMW EfficientDynamics features may be excluded depending on the optional equipment chosen. Your BMW Dealer will be pleased to provide you with more information.

And this is what comes out.

BMW already offers 81 models* with CO₂ emissions of 140 g/km or less. But that's just for starters. We're carrying on our research – in the quest to bring you more driving pleasure and less consumption.

* In the UK and Republic of Ireland.



BMW 3 Series Touring price list insert

Valid from 1 May 2009

Model	Power output (hp)	0-62 mph (secs)	Combined fuel consumption (mpg)	CO ₂ emissions (g/km)	VED band	Insurance group
Petrol						
318i ES	143	9.5 (10.4)	47.1 (43.5)	144 (156)	F (G)	12 / 22
318i SE	143	9.5 (10.4)	47.1 (43.5)	144 (156)	F (G)	12 / 22
318i M Sport	143	9.5 (10.4)	47.1 (43.5)	144 (156)	F (G)	13 / 22
320i ES	170	8.4 (9.2)	45.6 (42.2)	148 (160)	F (G)	14 / 26
320i SE	170	8.4 (9.2)	45.6 (42.2)	148 (160)	F (G)	14 / 26
320i M Sport	170	8.4 (9.2)	45.6 (42.2)	148 (160)	F (G)	15 / 27
325i SE	218	6.9 (7.3)	39.2 (39.2)	173 (173)	H (H)	16 / 32
325i M Sport	218	6.9 (7.3)	39.2 (39.2)	173 (173)	H (H)	16 / 32
330i SE	272	6.2 (6.4)	38.7 (38.2)	175 (178)	H (I)	17 / 34
330i M Sport	272	6.2 (6.4)	38.7 (38.2)	175 (178)	H (I)	17 / 34
335i SE	306	5.7 (5.9)	30.4 (30.4)	222 (223)	K (K)	18 / 36
335i M Sport	306	5.7 (5.9)	30.4 (30.4)	222 (223)	K (K)	18 / 37

Model	Power output (hp)	0-62 mph (secs)	Combined fuel consumption (mpg)	CO ₂ emissions (g/km)	VED band	Insurance group
Diesel						
318d ES	143	9.6 (9.7)	58.9 (50.4)	125 (146)	D (F)	12 / 23
318d SE	143	9.6 (9.7)	58.9 (50.4)	125 (146)	D (F)	12 / 23
318d M Sport	143	9.6 (9.7)	58.9 (50.4)	125 (146)	D (F)	13 / 23
320d ES	177	8.1 (8.3)	57.6 (50.4)	130 (146)	D (F)	14 / 28
320d SE	177	8.1 (8.3)	57.6 (50.4)	130 (146)	D (F)	14 / 28
320d M Sport	177	8.1 (8.3)	57.6 (50.4)	130 (146)	D (F)	15 / 28
325d SE	197	7.6 (7.7)	47.9 (44.8)	155 (165)	G (G)	16 / 30
325d M Sport	197	7.6 (7.7)	47.9 (44.8)	155 (165)	G (G)	16 / 30
330d SE	245	6.2 (6.3)	47.9 (44.8)	155 (165)	G (G)	17 / 35
330d M Sport	245	6.2 (6.3)	47.9 (44.8)	155 (165)	G (G)	17 / 36
335d SE¹	286	(6.1)	(41.5)	(178)	(I)	18 / 38
335d M Sport¹	286	(6.1)	(41.5)	(178)	(I)	18 / 38

Post-budget pricing

This insert is designed to be used with the BMW 3 Series Touring Price List and details revised pricing information following the 2009 Government Budget announcement concerning changes to Vehicle Excise Duty bands and rates. The pricing found here is therefore valid from 1 May 2009 onwards.

Full technical data and details of standard and optional equipment can be found in the main Price List.

Prices and specifications

BMW (UK) Limited reserves the right to alter prices and specifications without notice. BMW (UK) Limited has made every effort to ensure the accuracy of information but does not accept liability for any errors or omissions.

Key Figures in (brackets) apply to cars with automatic transmission. Insurance group figures refer to – 20 Group Rating System / 50 Group Rating System.
¹ = Only available with automatic transmission

Basic price (excluding VAT)	VAT	Retail price (including VAT)	On the road price	P11d value	BIK tax rate (2009 / 2010)
£18,982.61	£2,847.39	£21,830	£22,690	£22,510	16%
£20,108.70	£3,016.30	£23,125	£23,985	£23,805	16%
£21,773.91	£3,266.09	£25,040	£25,900	£25,720	16%
£20,413.04	£3,061.96	£23,475	£24,335	£24,155	17%
£21,539.13	£3,230.87	£24,770	£25,630	£25,450	17%
£23,204.35	£3,480.65	£26,685	£27,545	£27,365	17%
£23,686.96	£3,553.04	£27,240	£28,150	£27,920	22%
£25,982.61	£3,897.39	£29,880	£30,790	£30,560	22%
£26,608.70	£3,991.30	£30,600	£31,510	£31,280	23%
£29,121.74	£4,368.26	£33,490	£34,400	£34,170	23%
£27,969.57	£4,195.43	£32,165	£33,115	£32,845	32%
£30,482.61	£4,572.39	£35,055	£36,005	£35,735	32%
£21,343.48	£3,201.52	£24,545	£25,400	£25,225	18%
£22,469.57	£3,370.43	£25,840	£26,695	£26,520	18%
£24,134.78	£3,620.22	£27,755	£28,610	£28,435	18%
£22,343.48	£3,351.52	£25,695	£26,550	£26,375	18%
£23,469.57	£3,520.43	£26,990	£27,845	£27,670	18%
£25,134.78	£3,770.22	£28,905	£29,760	£29,585	18%
£24,756.52	£3,713.48	£28,470	£29,355	£29,150	22%
£27,052.17	£4,057.83	£31,110	£31,995	£31,790	22%
£27,086.96	£4,063.04	£31,150	£32,035	£31,830	22%
£29,600.00	£4,440.00	£34,040	£34,925	£34,720	22%
£29,791.30	£4,468.70	£34,260	£35,170	£34,940	26%
£32,304.35	£4,845.65	£37,150	£38,060	£37,830	26%

VED rates

Annual VED rates for brand new cars are determined by their CO₂ emission figure.

BMW 3 Series Touring models fall into one of the six categories listed below:

CO ₂ emissions g/km	Band D 121-130	Band F 141-150	Band G 151-165	Band H 166-175	Band I 176-185	Band K 201-225
Vehicle Excise Duty	£120	£125	£150	£175	£175	£215

On the road price

The recommended on the road price includes:

Delivery and BMW Emergency Service	£655
Number plates	£25
Vehicle first registration fee	£55
Vehicle Excise Duty (12 months)	See left



318i ES and 320i ES

Engine

- Catalytic converter
- EU4 emissions management
- Four-cylinder in-line petrol engine with high-precision direct injection

Transmission

- Six-speed manual transmission

Wheels and chassis

- 16" light alloy Double-spoke style 268 wheels
- Electric Power Steering
- Front suspension, Aluminium
- Mobility tyre sealing system
- Rear suspension, five-link

Safety and technology

- Airbags:
 - Driver, front passenger, front and side
 - ITS head airbags, front and rear
- Alarm system (Thatcham 1) with remote control and engine immobiliser
- Check control warning system
- Dynamic brake lights
- Dynamic Stability Control (DSC) comprising:
 - Anti-lock Braking System (ABS)
 - Automatic Stability Control (ASC)
 - Cornering Brake Control (CBC)
 - Dynamic Brake Control (DBC)
 - Dynamic Traction Control (DTC)
 - Electronic Brake-force Distribution (EBD)
 - Engine Drag Torque Control (MSR)
- First Aid kit and warning triangle
- Foglights, front and rear
- Follow-me-home headlight function
- Halogen headlights with twin side-light corona rings
- Head restraints – front, anti-whiplash
- Head restraints – rear, adjustable and removable
- High level third brake light
- On-Board Diagnosis (OBD)
- Seat belts – front, inertia reel with pyrotechnical belt latch tensioner and belt force limiter

Safety and technology (cont.)

- Seat belts – rear, three with inertia reel
- Tyre Puncture Warning System (TPWS)
- Visible VIN
- Windscreen washer jets, heated
- Windscreen wipers, two-speed with adjustable intervals

Seats

- Child seat ISOFIX attachment – front and rear, with passenger airbag deactivation
- Split-folding rear seat
- Vertex cloth upholstery

Exterior equipment

- Exhaust tailpipe – single, black (318i)
- Exhaust tailpipe – single, chrome (320i)
- Exterior mirrors – heated, electric adjustment
- Exterior trim, Matt Black
- Indicator lenses, clear
- Kidney grille, Chrome with black vertical slats
- Non-metallic paintwork
- Roof rails, Black
- Tailgate window, independently opening

Interior equipment

- 12V socket – front, two
- Air conditioning, manual
- Armrest – front, folding with storage compartment
- Armrest – rear, centre
- Cup holders, front and rear
- Door sill finishers with BMW designation
- Electric windows – front and rear, with open/close fingertip control
- Floor mats, velour
- Interior trim, Satin Silver
- Luggage compartment storage:
 - 12V socket
 - Bag holders
 - Luggage strap
 - Roller shutter with convenient opening feature
 - Securing rings
 - Separating net
- Multi-function leather steering wheel
- Start-Stop button
- Steering column with manual reach and rake adjustment
- Storage facilities in door trim panels
- Sun visors with vanity mirrors
- Toolkit located in luggage compartment

Audio and communication

- Auxiliary input point for auxiliary playing devices (e.g. MP3 player)
- BMW Professional radio with single CD player
- CD changer preparation
- Loudspeaker system with six speakers
- On-Board Computer (OBC) comprising:
 - Average fuel consumption and range
 - Average speed
 - Outside temperature display
- Personal Profile

318d ES and 320d ES

Equipment in addition / replacement to 318i ES and 320i ES

- Diesel Particulate Filter (DPF)
- EU5 emissions management
- Four-cylinder in-line diesel engine with common-rail technology
- Incorrect fuelling protection system
- Turbo

318i/d SE and 320i/d SE

Equipment in addition / replacement to 318i/d ES and 320i/d ES

- 17" light alloy V-spoke style 285 wheels
- Air conditioning, automatic with two-zone control
- Extended lighting:
 - Door handle illumination
 - Exit lighting
 - Footwell lights
 - Reading lights, front and rear
 - Sun visors with illuminated vanity mirrors
- Park Distance Control (PDC), rear
- Rear-view mirror, automatically dimming
- Run-flat tyres

325i SE

Equipment in addition / replacement to 320i SE

- 17" light alloy Double-spoke style 161 wheels
- Cruise control with brake function
- Dynamic Stability Control Plus (DSC+) comprising:
 - Brake drying
 - Brake fade compensation
 - Brake pre-tensioning
 - Hill-start assistant
 - Soft-stop
- Exhaust tailpipes – twin, chrome
- Exterior trim, Chromeline
- Kidney grille, chrome with chrome vertical slats
- Rain sensor with automatic headlight activation
- Six-cylinder in-line petrol engine with high-precision direct injection
- Storage nets on seat backrests

325d SE

Equipment in addition / replacement to 325i SE

- Six-cylinder in-line diesel engine with common-rail technology
- Turbo

330i/d SE

Equipment in addition / replacement to 325i/d SE

- EU5 emissions management (330d only)
- Front bumper valance with painted Matt Titanium insert
- Headlight wash
- Metallic paintwork

335i SE

Equipment in addition / replacement to 330i SE

- Exhaust tailpipes – single, left and right, chrome
- Front bumper valance with painted Aluminium insert
- Power assisted steering, hydraulic
- Twin-turbo

335d SE

Equipment in addition / replacement to 335i SE

- Six-speed automatic transmission
- Sport leather steering wheel with gearshift paddles
- Two-stage twin-turbo



M Sport models
Equipment in addition / replacement to SE models

- Blue Shadow cloth/Alcantara upholstery
- Door sill finishers with M designation
- Exterior trim, High-gloss Shadowline
- Headlining, Anthracite
- Interior trim, Aluminium Glacier Silver
- M aerodynamic bodystyling
- M Sport multi-function leather steering wheel (335d M Sport and six-cylinder M Sport models with automatic transmission, include steering wheel-mounted gearshift paddles)
- M Sport suspension
- Shortened gearshift
- Sport seats

318i/d and 320i/d M Sport

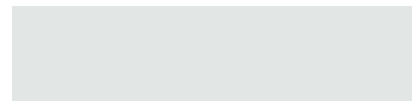
- 17" light alloy M Double-spoke style 194M wheels
- Cruise control
- Exhaust tailpipe – single, Chrome

325i/d, 330i/d and 335i/d M Sport

- 18" light alloy M Star-spoke style 193M wheels
- Cruise control with brake function



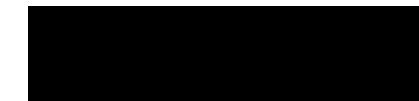
● **Alpine White**
300 non-metallic



● **Crimson Red***
A61 non-metallic



● **Jet Black***
668 non-metallic



○ **Barbera Red***
A39 metallic



○ **Black Sapphire**
475 metallic



○ **Bluewater**
896 metallic



○ **Le Mans Blue****
381 metallic



○ **Monaco Blue***
A35 metallic



○ **Montego Blue***
A51 metallic



○ **Platinum Bronze***
A53 metallic



○ **Space Grey**
A52 metallic



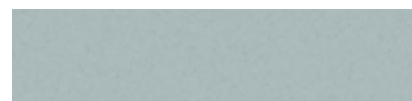
○ **Tasman***
A81 metallic



○ **Titanium Silver**
354 metallic



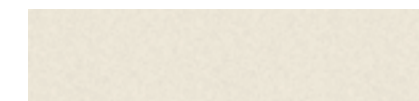
○ **BMW Individual Aventurine Silver**
S58 metallic



○ **BMW Individual Azurite Black**
S34 metallic



○ **BMW Individual Moonstone**
X04 metallic



○ **BMW Individual Ruby Black**
X03 metallic



Key ● = Standard ○ = Optional * = Not available on M Sport models ** = Only available on M Sport models

More BMW Individual colourways are available for specific models. Please see the Paintwork, Interior Trims and Upholstery pricing tables or consult your BMW Dealer for further details.

These colour samples are designed to give you a first impression of paints and materials. Experience has shown however, that printed versions of paint, upholstery and trim colours cannot in all cases faithfully replicate the colour appearance of the originals. We recommend therefore that you consult your BMW Dealer on your preferred choices.

● **Satin Silver 4CG***



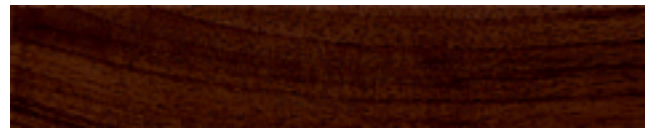
○ **Black, high-gloss 4AT***



○ **Fine Brushed Aluminium 4B9**



○ **Light Walnut wood 4A3**



○ **BMW Individual Anthracite Maple XE2**



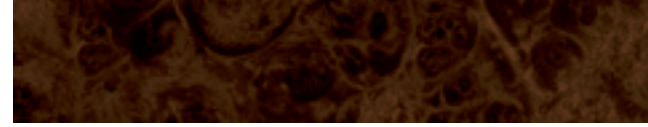
○ **BMW Individual Red Brown Figured Eucalyptus XE3**



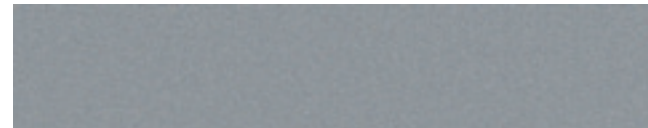
● **Aluminium Glacier Silver 4MG****



○ **Burr Walnut wood 4AB**



○ **Grey, high-gloss 4BX***



○ **BMW Individual Piano Black with inlay XE8**



● **Vertex cloth* Anthracite EBAT**



● **Blue Shadow cloth / Alcantara** Anthracite ANAT**



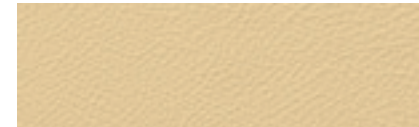
○ **Dakota leather Beige LCB4**



○ **Dakota leather Oyster LCCX**



○ **BMW Individual Merino leather Champagne ZACM**



○ **BMW Individual Merino leather Syrah Blue ZAF3**



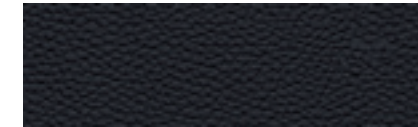
● **Vertex cloth* Beige EBB4**



○ **Impulse cloth / leather* Anthracite FMAT**



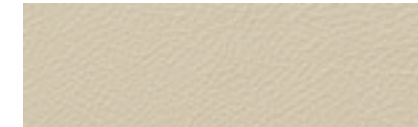
○ **Dakota leather Black LCSW**



○ **Dakota leather Red Brown LCCZ**



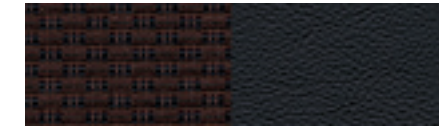
○ **BMW Individual Merino leather Platinum ZAC8**



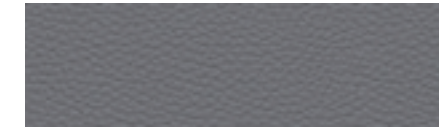
● **Vertex cloth* Grey EBAD**



○ **Impulse cloth / leather* Brown / Black FMCN**



○ **Dakota leather Grey LCAD**



○ **Dakota leather Saddle Brown LCD3**



○ **BMW Individual Merino leather Rust Brown ZAP2**



Key ● = Standard ○ = Optional * = Not available on M Sport models ** = Only available on M Sport models
 More BMW Individual colourways are available for specific models. Please see the Paintwork, Interior Trims and Upholstery pricing tables or consult your BMW Dealer for further details.

Key ● = Standard ○ = Optional * = Not available on M Sport models ** = Only available on M Sport models
 More BMW Individual colourways are available for specific models. Please see the Paintwork, Interior Trims and Upholstery pricing tables or consult your BMW Dealer for further details.

Model	Upholstery	Upholstery colour	Interior colour	Standard seats	Sport seats	Upholstery code	Metallic										BMW Individual Metallic				Non-metallic				
							Titanium Silver	Black Sapphire	Bluewater	Monaco Blue*	Barbera Red*	Montego Blue*	Space Grey	Platinum Bronze*	Tasman*	Le Mans Blue**	Ruby Black	Moonstone	Azurite Black	Aventurine Silver	Alpine White	Jet Black*	Crimson Red*		
							354	475	896	A35	A39	A51	A52	A53	A81	381	X03	X04	S34	S58	300	668	A61		
Standard: ES and SE	Vertex cloth*	Anthracite	Black	●	●	EBAT	●	●	●	●	●	●	●	●	●	-	●	●	●	●	●	●	●	●	
		Beige	Beige	●	●	EBB4	●	●	●	●	●	●	●	●	●	-	●	●	●	●	●	●	●	●	●
		Grey	Grey	●	●	EBAD	●	●	●	●	●	●	●	●	●	-	●	●	●	●	●	●	●	●	●
Standard: M Sport	Blue Shadow cloth / Alcantara**	Anthracite	Black	-	●	ANAT	●	●	●	-	-	-	●	-	-	●	●	●	●	●	●	-	-	-	
Option: ES and SE	Impulse cloth / leather*	Anthracite	Black	●	●	FMAT	●	●	●	●	●	●	●	●	●	-	●	●	●	●	●	●	●	●	
		Brown / Black	Black	●	●	FMCN	●	●	●	●	●	●	●	●	●	-	●	●	●	●	●	●	●	●	
Option: All	Dakota leather	Beige	Beige	●	●	LCB4	●	●	●	●	●	●	●	●	●	●	●	●	●	●	●	●	●	●	
		Black	Black	●	●	LCSW	●	●	●	●	●	●	●	●	●	●	●	●	●	●	●	●	●	●	
		Grey	Grey	●	●	LCAD	●	●	●	●	●	●	●	●	●	●	●	●	●	●	●	●	●	●	●
		Oyster	Black	●	●	LCCX	●	●	●	●	●	●	●	●	●	●	●	●	●	●	●	●	●	●	●
		Red Brown	Black	●	●	LCCZ	●	●	●	●	●	●	●	●	●	●	●	●	●	●	●	●	●	●	●
		Saddle Brown	Black	●	●	LCD3	●	●	●	●	●	●	●	●	●	●	●	●	●	●	●	●	●	●	●
Option: All	BMW Individual Merino leather	Champagne	Black	●	●	ZACM	●	●	●	●	●	●	●	●	●	●	●	●	●	●	●	●	●	●	
		Platinum	Black	●	●	ZAC8	●	●	●	●	●	●	●	●	●	●	●	●	●	●	●	●	●	●	
		Rust Brown	Black	●	●	ZAP2	●	●	●	●	●	●	●	●	●	●	●	●	●	●	●	●	●	●	●
		Syrah Blue	Black	●	●	ZAF3	●	●	●	●	●	●	●	●	●	●	●	●	●	●	●	●	●	●	●

Key ● = Available - = Not available * = Not available on M Sport models ** = Only available on M Sport models

The above table shows all available exterior and upholstery colour combinations. To view colour samples please consult your local BMW Dealer who will be happy to assist you with your choices. Alternatively, further combination details can be found on the 'Build your BMW' section of the www.bmw.co.uk website.

Model	Upholstery	Upholstery colour	Interior colour	Upholstery code	ES and SE Models								M Sport Models									
					Interior trim				BMW Individual Interior trim				Interior trim			BMW Individual Interior trim						
					Satin Silver	Black, high-gloss	Grey, high-gloss	Fine Brushed Aluminium	Burr Walnut wood	Light Walnut wood	Anthracite Maple	Red Brown Figured Eucalyptus	Piano Black with inlay	Aluminium Glacier Silver	Fine Brushed Aluminium	Burr Walnut wood	Light Walnut wood	Anthracite Maple	Red Brown Figured Eucalyptus	Piano Black with inlay		
					4CG	4AT	4BX	4B9	4AB	4A3	XE2	XE3	XE8	4MG	4B9	4AB	4A3	XE2	XE3	XE8		
Standard: ES and SE	Vertex cloth*	Anthracite	Black	EBAT	●	○	○	○	○	○	○	○	○	-	-	-	-	-	-	-	-	
		Beige	Beige	EBB4	●	○	○	○	○	○	○	○	○	○	-	-	-	-	-	-	-	-
		Grey	Grey	EBAD	●	○	○	○	○	○	○	○	○	○	-	-	-	-	-	-	-	-
Standard: M Sport	Blue Shadow cloth / Alcantara**	Anthracite	Black	ANAT	-	-	-	-	-	-	-	-	-	●	◇	○	○	○	○	○		
Option: ES and SE	Impulse cloth / leather*	Anthracite	Black	FMAT	●	○	○	○	○	○	○	○	○	-	-	-	-	-	-	-	-	
		Brown / Black	Black	FMCN	●	○	○	○	○	○	○	○	○	○	-	-	-	-	-	-	-	
Option: All	Dakota leather	Beige	Beige	LCB4	●	○	○	○	○	○	○	○	○	●	◇	○	○	○	○	○		
		Black	Black	LCSW	●	○	○	○	○	○	○	○	○	○	●	◇	○	○	○	○		
		Grey	Grey	LCAD	●	○	○	○	○	○	○	○	○	○	●	◇	○	○	○	○		
		Oyster	Black	LCCX	●	○	○	○	○	○	○	○	○	○	●	◇	○	○	○	○		
		Red Brown	Black	LCCZ	●	○	○	○	○	○	○	○	○	○	●	◇	○	○	○	○		
		Saddle Brown	Black	LCD3	●	○	○	○	○	○	○	○	○	○	●	◇	○	○	○	○		
Option: All	BMW Individual Merino leather	Champagne	Black	ZACM	●	○	○	○	○	○	○	○	○	●	◇	○	○	○	○			
		Platinum	Black	ZAC8	●	○	○	○	○	○	○	○	○	○	●	◇	○	○	○			
		Rust Brown	Black	ZAP2	●	○	○	○	○	○	○	○	○	○	●	◇	○	○	○			
		Syrah Blue	Black	ZAF3	●	○	○	○	○	○	○	○	○	○	●	◇	○	○	○			

Key ● = Standard interior trim ◇ = Interior trim available at no cost ○ = Interior trim available at extra cost

- = Not available * = Not available on M Sport models ** = Only available on M Sport models

The above table shows all available exterior and upholstery colour combinations. To view colour samples please consult your local BMW Dealer who will be happy to assist you with your choices. Alternatively, further combination details can be found on the 'Build your BMW' section of the www.bmw.co.uk website.

	Carpet	Floor mats	Dashboard		Seats		Doors		
			Lower	Upper	Seat back	Seat facing	Door insert	Door casing	Door armrest

Vertex cloth upholstery

Anthracite	Anthracite	Anthracite	Black	Black	Black	Anthracite	Anthracite	Black	Anthracite
Beige	Beige	Beige	Beige	Black	Beige	Beige	Beige	Beige	Beige
Grey	Grey	Grey	Grey	Black	Grey	Grey	Grey	Grey	Grey

Blue Shadow cloth / Alcantara upholstery

Anthracite	Anthracite	Anthracite	Black	Black	Black	Anthracite / Blue	Anthracite / Blue	Black	Black
-------------------	------------	------------	-------	-------	-------	-------------------	-------------------	-------	-------

Impulse cloth / leather upholstery

Anthracite	Anthracite	Anthracite	Black	Black	Black	Anthracite	Anthracite	Black	Black
Brown / Black	Anthracite	Anthracite	Black	Black	Black	Brown / Black	Brown / Black	Black	Black

Dakota leather upholstery

Beige	Beige	Beige	Beige	Black	Beige	Beige	Beige	Beige	Beige
Black	Anthracite	Anthracite	Black	Black	Black	Black	Black	Black	Black
Grey	Grey	Grey	Grey	Black	Grey	Grey	Grey	Grey	Grey
Oyster	Anthracite	Anthracite	Black	Black	Black	Oyster	Oyster	Black	Oyster
Red Brown	Anthracite	Anthracite	Black	Black	Black	Red Brown	Red Brown	Black	Red Brown
Saddle Brown	Anthracite	Anthracite	Black	Black	Black	Saddle Brown	Saddle Brown	Black	Saddle Brown

BMW Individual Merino leather upholstery

Champagne	Anthracite	Anthracite	Black	Black	Champagne	Champagne	Champagne	Black	Champagne
Platinum	Anthracite	Anthracite	Black	Black	Platinum	Platinum	Platinum	Black	Platinum
Rust Brown	Anthracite	Anthracite	Black	Black	Rust Brown	Rust Brown	Rust Brown	Black	Rust Brown
Syrah Blue	Anthracite	Anthracite	Black	Black	Syrah Blue	Syrah Blue	Syrah Blue	Black	Syrah Blue

		Double-spoke style 268*	Multi-spoke style 282*	Star-spoke style 283
Wheel size	Front / rear	7 J x 16	7 J x 16	7 J x 16
Tyre size	Front / rear	205/55 R16	205/55 R16	225/50 R16
	Option code	2BW	2SX	2SY
				
318i/d ES, 320i/d ES		●	£0	£265
318i/d SE, 320i/d SE		-	-	-
325i SE, 325d SE		-	-	-
330i SE, 330d SE		-	-	-
335i SE, 335d SE		-	-	-



		V-spoke style 285	Double-spoke style 161	Multi-spoke style 284
Wheel size	Front / rear	8 J x 17	8 J x 17	8 J x 17
Tyre size	Front / rear	225/45 R17	225/45 R17	225/45 R17
	Option code	2KU	2BZ	2SZ
				
318i/d ES, 320i/d ES		£670	£745	£745
318i/d SE, 320i/d SE		●	£340	£340
325i SE, 325d SE		-	●	£75
330i SE, 330d SE		-	●	£75
335i SE, 335d SE		-	●	£75

Key

● = Standard £ = Optional - = Not available

* = Standard tyres are not run-flat tyres. Mobility tyre sealing system provided as standard. Run-flat tyres available as an option.

		Star-spoke style 286	Star-spoke style 287	BMW Individual V-spoke style 152 I
Wheel size	Front / rear	8 J x 17 / 8.5 J x 17	8 J x 18 / 8.5 J x 18	8 J x 18 / 8.5 J x 18
Tyre size	Front / rear	225/45 R17 / 255/40 R17	225/40 R18 / 255/35 R18	225/45 R18 / 255/35 R18
	Option code	2S1	2S2	2M0
				
318i/d ES, 320i/d ES		£970	£1,450	£1,235
318i/d SE, 320i/d SE		£565	£1,040	£830
325i SE, 325d SE		£250	£730	£625
330i SE, 330d SE		£250	£730	£625
335i SE, 335d SE		£250	£730	£625

		M Double-spoke style 194M	M Star-spoke style 193M
Wheel size	Front / rear	8 J x 17 / 8.5 J x 17	8 J x 18 / 8.5 J x 18
Tyre size	Front / rear	225/45 R17 / 255/40 R17	225/45 R18 / 255/35 R18
	Option code	2ME	2MF
			
M Sport - 318i/d, 320i/d		●	£485
M Sport - 325i/d, 330i/d, 335i/d		-	●

Key ● = Standard £ = Optional - = Not available



The most exclusive way to drive a BMW

The higher your standards, the less room there is for compromise. For drivers with the most exacting standards BMW Individual offers a range of stunning and perfectly-crafted materials to ensure that the expression of individuality has never felt so effortless.

A BMW Individual paint finish is more than just a colour, each has its own characteristic brilliance and complexity. Five layers deep, the depth of colour is more sophisticated than the regular metallic paints thanks to special pigmentation. Xirallic or Titanium Dioxide pigments create an iridescent effect which gives the colours an unmistakable brilliance in the light.

Inside, the level of exclusivity can be continued with the distinctive yet subtle tones of BMW Individual Merino leather. A painstaking refinement process ensures that the leather is kept soft and supple, retaining a unique feel throughout its life as well as meeting the practical demands of a luxury car. And just to complete the interior, you can choose from the hand-picked wood trims that ensure the perfect grain every time.



Let yourself be inspired with BMW Individual.





BMW EfficientDynamics

	318i ES	318i SE	318i M Sport	320i ES	320i SE	320i M Sport	325i SE	325i M Sport	330i SE	330i M Sport	335i SE	335i M Sport	318d ES	318d SE	318d M Sport	320d ES	320d SE	320d M Sport	325d SE	325d M Sport	330d SE	330d M Sport	335d SE	335d M Sport	Price	
Active Aerodynamics	●	●	-	●	●	-	●	●	-	-	-	-	-	-	-	-	-	-	-	-	-	-	-	-	std	
Auto Start-Stop	●	●	●	●	●	●	-	-	-	-	-	-	●	●	●	●	●	●	-	-	-	-	-	-	std	
Brake Energy Regeneration	●	●	●	●	●	●	●	●	●	●	●	●	●	●	●	●	●	●	●	●	●	●	●	●	●	std
Electric Power Steering	●	●	●	●	●	●	●	●	●	●	-	-	●	●	●	●	●	●	●	●	●	●	●	-	-	std
High-precision direct injection	●	●	●	●	●	●	●	●	●	●	●	●	-	-	-	-	-	-	-	-	-	-	-	-	-	std
Optimum Shift Indicator	●	●	●	●	●	●	●	●	●	●	●	●	●	●	●	●	●	●	●	●	●	●	●	-	-	std

Certain BMW EfficientDynamics features may be excluded depending on the optional equipment chosen. Your BMW Dealer will be pleased to provide you with more information.

Transmission

	205	318i ES	318i SE	318i M Sport	320i ES	320i SE	320i M Sport	325i SE	325i M Sport	330i SE	330i M Sport	335i SE	335i M Sport	318d ES	318d SE	318d M Sport	320d ES	320d SE	320d M Sport	325d SE	325d M Sport	330d SE	330d M Sport	335d SE	335d M Sport	Price
Automatic transmission	○	○	○	○	○	○	○	○	○	○	○	○	○	○	○	○	○	○	○	○	○	○	○	○	○	£1,460
Six-speed automatic transmission with Steptronic and adaptive transmission control including Shiftlock/Interlock. Adapts to personal driving style. Selector lever handle in leather. Includes steering wheel mounted gearshift paddles on six-cylinder models.																										£1,600

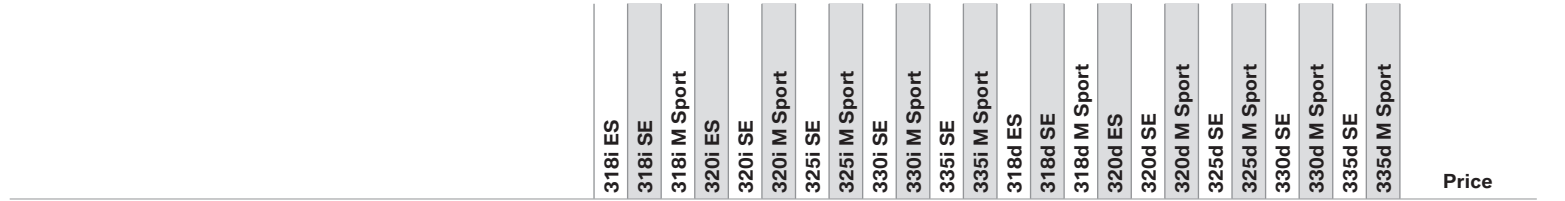
Wheels and chassis

Active Steering	217	-	-	-	-	-	○	○	○	○	○	○	-	-	-	○	○	○	○	○	○	○	○	○	○	£905
At low speeds steering is precise and exact due to a more direct steering ratio. At higher speeds the steering ratio becomes more indirect for enhanced directional stability and safety. Please note that the Electric Power Steering element of BMW EfficientDynamics (where fitted) will be removed when this option is specified. Not with 3AC on 335i SE / M Sport models.																										
M Sport suspension	704	○	○	●	○	○	●	○	●	○	●	○	○	○	○	○	○	○	○	○	○	○	○	○	○	£265
Stiffer spring/damper set-up with vehicle lowered by 15 mm.																										
Servotronic	216	○	○	○	○	○	○	○	○	○	-	-	○	○	○	○	○	○	○	○	○	○	○	-	-	£170
Varies the level of steering assistance according to the vehicle's speed. At low speeds the system provides a high level of assistance, making steering lighter for the driver. As the speed increases, assistance reduces so that contact with the road becomes more direct and the steering more precise.																										

Key

Only with – these options must be ordered together
 Not with – these options are not available for ordering together
 / = Indicates 'or'

● = Standard ○ = Optional – = Not available



Safety and technology

	318i ES	318i SE	318i M Sport	320i ES	320i SE	320i M Sport	325i SE	325i M Sport	330i SE	330i M Sport	335i SE	335i M Sport	318d ES	318d SE	318d M Sport	320d ES	320d SE	320d M Sport	325d SE	325d M Sport	330d SE	330d M Sport	335d SE	335d M Sport	Price
Active Cruise Control (ACC)	541	-	-	-	-	-	○	○	○	○	○	○	-	-	-	-	-	-	○	○	○	○	○	○	£775
Controlled by separate steering column stalk. Maintains distance from the car in front in four adjustable distance ranges by braking and accelerating in response to radar sensors in the front bumper. Desired speed and operating mode are displayed in the instrument panel.																									
Adaptive Headlights	524	○	○	○	○	○	○	○	○	○	○	○	○	○	○	○	○	○	○	○	○	○	○	○	£1,010
Offers improved visibility by following the steering angle of the front wheels, giving better illumination of the road ahead through corners. Not active when the car is reversing or turned right when stationary to avoid dazzling oncoming traffic. Cornering light for illuminating the roadway when cornering with a suitable steering angle at speeds of up to 45 mph (65 km/h). The cornering light is also activated at speeds below 22 mph (35 km/h) when direction indicators are in use. Includes 502, 521 and 522.							○	○												○	○				£925
									○	○	○	○										○	○	○	£745
Cruise control	540	○	○	●	○	○	●	-	-	-	-	-	○	○	●	○	○	○	○	○	-	-	-	-	£185
Operation via separate steering-column stalk. Pre-set speed maintained by manipulation of the throttle.																									
Head restraints, rear and folding	5DC	○	○	○	○	○	○	○	○	○	○	○	○	○	○	○	○	○	○	○	○	○	○	○	£35
Headlight wash	502	○	○	○	○	○	○	○	○	○	○	○	○	○	○	○	○	○	○	○	○	○	○	○	£205
High pressure system with lifter jet for cleaning main headlights.																									
High-beam Assistant	5AC	○	○	○	○	○	○	○	○	○	○	○	○	○	○	○	○	○	○	○	○	○	○	○	£105
High-beam Assistant supports the driver by automatically alternating between low and high beam when there is oncoming traffic and when driving through changing light conditions. The system will switch high-beam lights on and off automatically. Only with 430 / 431 and 521 and 522. Not with 4NA.																									
Park Distance Control (PDC), front and rear	508	○		○									○		○										£625
Acoustic (and visual in combination with 606, navigation system – BMW Business / 609, navigation system – BMW Professional Multimedia) warning of proximity to obstacles to the front and rear of the car. Manual deactivation. Sensors in the bumpers painted in body colour.			○		○																				£355

Key

Only with – these options must be ordered together
 Not with – these options are not available for ordering together
 / = Indicates 'or'

● = Standard ○ = Optional – = Not available

		318i ES	318i SE	318i M Sport	320i ES	320i SE	320i M Sport	325i SE	325i M Sport	330i SE	330i M Sport	335i SE	335i M Sport	318d ES	318d SE	318d M Sport	320d ES	320d SE	320d M Sport	325d SE	325d M Sport	330d SE	330d M Sport	335d SE	335d M Sport	Price	
Safety and technology (cont.)																											
Park Distance Control (PDC), rear	507	○	●	●	○	●	●	●	●	●	●	●	●	○	●	●	○	●	●	●	●	●	●	●	●	●	£345
Acoustic (and visual in combination with 606, navigation system – BMW Business / 609, Navigation system – BMW Professional Multimedia) warning of proximity to obstacles to the rear of the car. Manual deactivation. Sensors in the bumper painted in body colour.																											
Rain sensor with automatic headlight activation	521	○	○	○	○	○	○	●	●	●	●	●	●	○	○	○	○	○	○	○	●	●	●	●	●	£95	
Automatic activation/intermittent-wipe control for windscreen wipers and automatic activation of headlights. Included with 358.																											
Run-flat tyres	258	○	●	●	○	●	●	●	●	●	●	●	●	○	●	●	○	●	●	●	●	●	●	●	●	£195	
Tyres with reinforced side walls which allow the vehicle to continue driving safely after a complete loss of driving pressure, for up to 150 miles. Available for ES models with wheels 2BW or 2SX.																											
Xenon headlights	522	○	○	○	○	○	○	○						○	○	○	○	○	○	○						£675	
Bi-xenon technology with parking light corona rings, including automatic beam-throw control. Includes 502.																										£470	

Seats

Lumbar support, driver and front passenger	488	○	○	○	○	○	○	○	○	○	○	○	○	○	○	○	○	○	○	○	○	○	○	○	○	£225
Electric height and depth adjustment for an ergonomically perfect seat position and support of back muscles.																										
Seat adjustment – front, electric with driver memory	459	○	○	○	○	○	○	○	○	○	○	○	○	○	○	○	○	○	○	○	○	○	○	○	○	£870
Electric adjustment of all seat levels for driver and front passenger. High-rest in combination with sport seats is manually adjustable. Head restraint height has manual adjustment. Two memory positions for driver's seat, including mirror memory for driver's side. Automatic dipping parking function for front passenger side mirror in reverse gear.																										
Seat adjustment – front, part-electric	4UA	○	○	○	○	○	○	○	○	○	○	○	○	○	○	○	○	○	○	○	○	○	○	○	○	£345
Electric adjustment of seat height and backrest. Manual adjustment for fore/aft position.																										
Seat heating, front	494	○	○	○	○	○	○	○	○	○	○	○	○	○	○	○	○	○	○	○	○	○	○	○	○	£275
Seat heating for driver and front passenger. Seat surface and backrest are rapidly heated to add comfort in colder months. The seat heating can be adjusted by a three-stage switch.																										

Key ● = Standard ○ = Optional

		318i ES	318i SE	318i M Sport	320i ES	320i SE	320i M Sport	325i SE	325i M Sport	330i SE	330i M Sport	335i SE	335i M Sport	318d ES	318d SE	318d M Sport	320d ES	320d SE	320d M Sport	325d SE	325d M Sport	330d SE	330d M Sport	335d SE	335d M Sport	Price
Seats (cont.)																										
Sport seats, front	481	○	○	●	○	○	●	○	●	○	●	○	●	○	○	●	○	○	○	○	○	○	○	○	○	£420
Length, height, tilt and thigh-rest manually adjustable, with nets on the rear of the driver and front passenger seat backrests. Including electric adjustment of backrest side bolsters, which ensures optimum lateral support when cornering.																										
Exterior equipment																										
Comfort Access	322	○	○	○	○	○	○	○	○	○	○	○	○	○	○	○	○	○	○	○	○	○	○	○	○	£490
Keyless access to the vehicle (driver and passenger doors, luggage compartment lid) and keyless starting of the vehicle.																										
Exterior mirrors, folding	313	○	○	○	○	○	○	○	○	○	○	○	○	○	○	○	○	○	○	○	○	○	○	○	○	£170
Electrically foldable exterior mirrors. Automatic dipping parking function for front passenger side mirror in reverse gear. Key dependent memory function for exterior mirrors. Not with 430.																										
Exterior mirrors – folding, automatically dimming	430	○			○									○			○									£340
Rear-view mirror and electrically foldable exterior mirrors with automatic dimming. Includes a key-dependent memory function for exterior mirrors. Includes 431 on ES models. Not with 313.																										£250
Exterior trim, Chromeline	346	○	○	-										○	○	-										£195
Side frame strip, window strips, mirror frames, window recess finisher and inlay for the door sills in Chrome. Also includes Chrome tailpipe for 318i/d.																										£175
Exterior trim, High-gloss Shadowline	760	○	○	●	○	○	●	●	●	●	○	○	○	○	○	○	○	○	○	○	○	○	○	○	○	£555
Side frame strip, window strips, mirror frames and window recess finisher in a high-gloss black trim.																										£345
Model designation deletion	320	○	○	○	○	○	○	○	○	○	○	○	○	○	○	○	○	○	○	○	○	○	○	○	○	£0
Removal of model designation from rear.																										

Key Not with – these options are not available for ordering together ● = Standard ○ = Optional – = Not available

		318i ES	318i SE	318i M Sport	320i ES	320i SE	320i M Sport	325i SE	325i M Sport	330i SE	330i M Sport	335i SE	335i M Sport	318d ES	318d SE	318d M Sport	320d ES	320d SE	320d M Sport	325d SE	325d M Sport	330d SE	330d M Sport	335d SE	335d M Sport	Price	
Exterior equipment (cont.)																											
Towbar, detachable	3AC	○	○	○	○	○	○	○	○	○	○	○	○	○	○	○	○	○	○	○	○	○	○	○	○	○	£610
Concealed and permanently installed behind bumper. Released electrically when needed by means of switch on right hand side of luggage compartment trim and can be manually pivoted into position. Mechanical lock. For a twin-electrics solution an adapter is required. Please consult your BMW Dealer. Please note that the Active Aerodynamics element of BMW EfficientDynamics (where fitted) will be removed when this option is specified. Not with 217 on 335i SE / M Sport models.																											

Interior equipment

Air conditioning, automatic with two-zone control	534	○	●	●	○	●	●	●	●	●	●	●	●	○	●	●	○	●	●	●	●	●	●	●	●	●	£525
Fully automatic temperature stratification and air volume control. Separate temperature control for driver's side and passenger side, variable-temperature for rear interior ventilation by nozzles in centre console, including solar sensor and fogging sensor. Max-Cool and residual-heat buttons, automatic air recirculation control and active carbon filter. Included with 606 / 609.																											
Armrest – front, with sliding adjustment	4AE	○	○	○	○	○	○	○	○	○	○	○	○	○	○	○	○	○	○	○	○	○	○	○	○	○	£110
Two-part sliding armrest segment.																											
Climate Comfort windscreen	358	○	○	○	○	○	○	○	○	○	○	○	○	○	○	○	○	○	○	○	○	○	○	○	○	○	£175
Infrared reflective laminate for the windscreen, keeping interior cabin cooler in direct sunlight. Includes 521. Not with 3AP.																											
Extended lighting	563	○	●	●	○	●	●	●	●	●	●	●	●	○	●	●	○	●	●	●	●	●	●	●	●	●	£180
Includes: – Door handle illumination – Exit lighting, front – Footwell lights, front – Illuminated vanity mirror – Reading lights, front and rear																											

Key Not with – these options are not available for ordering together / = Indicates 'or' ● = Standard ○ = Optional

		318i ES	318i SE	318i M Sport	320i ES	320i SE	320i M Sport	325i SE	325i M Sport	330i SE	330i M Sport	335i SE	335i M Sport	318d ES	318d SE	318d M Sport	320d ES	320d SE	320d M Sport	325d SE	325d M Sport	330d SE	330d M Sport	335d SE	335d M Sport	Price	
Interior equipment (cont.)																											
Extended luggage features	418	○	○	○	○	○	○	○	○	○	○	○	○	○	○	○	○	○	○	○	○	○	○	○	○	○	£175
Includes: – Compartment floor net – Compartment net – Floor mat, reversible – Folding box, removable																											
Extended storage	493	○	○	○	○	○	○	○	○	○	○	○	○	○	○	○	○	○	○	○	○	○	○	○	○	○	£45
Includes: 12V power supply in rear centre console; storage nets on seat backrests where not already standard.																											
Headlining, Anthracite	775	○	○	●	○	○	●	○	●	○	●	○	●	○	○	●	○	○	●	○	●	○	●	○	●	○	£195
Panoramic glass sunroof	402	○	○	○	○	○	○	○	○	○	○	○	○	○	○	○	○	○	○	○	○	○	○	○	○	○	£1,130
Glass sunroof with integrated slipstream deflector and sun protection with floating headliner. Includes front reading lights and illuminated vanity mirror on ES models.																											
Rear-view mirror, automatically dimming	431	○	●	●	○	●	●	●	●	●	●	●	●	○	●	●	○	●	●	●	●	●	●	●	●	●	£115
Electrochromic rear-view mirror including front soft-light and reading light for ES models. Included with 430.																											
Rear-view mirror with digital compass	4NA	○	○	○	○	○	○	○	○	○	○	○	○	○	○	○	○	○	○	○	○	○	○	○	○	○	£60
LED compass readout indicating direction of travel, displayed within the rear-view mirror. Only with 430 / 431 and 521. Not with 5AC.																											
Smoker's package deletion	441	○	○	○	○	○	○	○	○	○	○	○	○	○	○	○	○	○	○	○	○	○	○	○	○	○	£0
Replaces ashtrays and lighter with an open storage area. Please note the 12V power supply is not fitted in the centre console in this instance. The one in the armrest remains and an additional one is provided in the front passenger footwell.																											
Sun protection glass	761	○	○	○	○	○	○	○	○	○	○	○	○	○	○	○	○	○	○	○	○	○	○	○	○	○	£265
Dark tinted glass for rear windscreen and rear side windows.																											
Sunblinds – rear side windows, manual	417	○	○	○	○	○	○	○	○	○	○	○	○	○	○	○	○	○	○	○	○	○	○	○	○	○	£145
Roller blind for rear side windows with manual operation.																											

Key Only with – these options must be ordered together Not with – these options are not available for ordering together / = Indicates 'or' ● = Standard ○ = Optional

		318i ES	318i SE	318i M Sport	320i ES	320i SE	320i M Sport	325i SE	325i M Sport	330i SE	330i M Sport	335i SE	335i M Sport	318d ES	318d SE	318d M Sport	320d ES	320d SE	320d M Sport	325d SE	325d M Sport	330d SE	330d M Sport	335d SE	335d M Sport	Price	
Interior equipment (cont.)																											
Through-loading ski bag	464	○	○	○	○	○	○	○	○	○	○	○	○	○	○	○	○	○	○	○	○	○	○	○	○	○	£135
For clean and safe transportation of up to four pairs of skis with up to four people on board. If the ski bag is not required it can be tucked away out of sight.																											
Universal remote control	319	○	○	○	○	○	○	○	○	○	○	○	○	○	○	○	○	○	○	○	○	○	○	○	○	○	£170
Replaces up to three remote controls, for remote control of garage doors and driveway gates for example. Integrated in the rear-view mirror housing, including front and rear reading lights, and front soft light on ES models. Please ensure technical compatibility with a BMW Dealer before ordering. Only with 430 / 431.																											
Windscreen with grey shade band	3AP	○	○	○	○	○	○	○	○	○	○	○	○	○	○	○	○	○	○	○	○	○	○	○	○	○	£65
Grey shade band along the top of the windscreen to help prevent dazzling by the sun. Not with 358.																											
Steering wheels																											
Sport leather steering wheel	255	○	○	-	○	○	-	○	-	○	-	○	-	○	○	-	○	○	-	○	-	○	-	○	●	-	£90
Three-spoke leather steering wheel with 369mm diameter, thicker rim and decorative inserts in Matt Chrome Pearl Grey.																											
Steering wheel heating	248	○	○	-	○	○	-	○	-	○	-	○	-	○	○	-	○	○	-	○	-	○	-	○	-	○	£145

Key

Only with – these options must be ordered together
Not with – these options are not available for ordering together
/ = Indicates 'or'

● = Standard ○ = Optional – = Not available

		318i ES	318i SE	318i M Sport	320i ES	320i SE	320i M Sport	325i SE	325i M Sport	330i SE	330i M Sport	335i SE	335i M Sport	318d ES	318d SE	318d M Sport	320d ES	320d SE	320d M Sport	325d SE	325d M Sport	330d SE	330d M Sport	335d SE	335d M Sport	Price	
Audio and communication																											
Bluetooth telephone audio connection	6NF	○	○	○	○	○	○	○	○	○	○	○	○	○	○	○	○	○	○	○	○	○	○	○	○	○	£70
Allows playback of audio files from a mobile phone with integrated MP3 player through a snap-in adaptor in the centre console. Available only in conjunction with 6FL, USB audio interface, the option provides a simultaneous connection of a mobile phone with integrated MP3 player and a memory stick. Snap-in adaptor to be purchased separately. Only with 633 / 644 and 6FL.																											
Bluetooth telephone preparation	644	○	○	○	○	○	○	○	○	○	○	○	○	○	○	○	○	○	○	○	○	○	○	○	○	○	£525
Bluetooth telephone preparation. Please note that this does not include a handset or phone cradle. These need to be purchased separately. Consult your BMW Dealer for details of compatible phones or go to www.bmw.co.uk/bluetooth . Not with 606 / 609.																											
Bluetooth telephone preparation with telematics	633	○	○	○	○	○	○	○	○	○	○	○	○	○	○	○	○	○	○	○	○	○	○	○	○	○	£525
Bluetooth telephone preparation with the addition of a pre-fitted telematic SIM card for the use of BMW ConnectedDrive services. Only available in conjunction with a navigation system – 606 / 609 which includes 612, BMW ConnectedDrive – Assist and 616, BMW ConnectedDrive – Online. Only with 606 / 609.																											
BMW ConnectedDrive – Assist	612	○	○	○	○	○	○	○	○	○	○	○	○	○	○	○	○	○	○	○	○	○	○	○	○	○	£0
Telematics services with automatic and manual 999 emergency SOS call, BMW Breakdown Service, My Info with Google send to car function and Information Plus (location-based operator service). Includes subscription to services for three years (customer registration required to activate services). Automatically included with a navigation system – 606 / 609, 616 BMW ConnectedDrive – Online and 633 Bluetooth telephone preparation with telematics. Only with 606 / 609 and 616 and 633.																											

Key

Only with – these options must be ordered together
Not with – these options are not available for ordering together
/ = Indicates 'or'

○ = Optional

	318i ES	318i SE	318i M Sport	320i ES	320i SE	320i M Sport	325i SE	325i M Sport	330i SE	330i M Sport	335i SE	335i M Sport	318d ES	318d SE	318d M Sport	320d ES	320d SE	320d M Sport	325d SE	325d M Sport	330d SE	330d M Sport	335d SE	335d M Sport	Price	
Audio and communication (cont.)																										
BMW ConnectedDrive – Online 616 WAP-based vehicle browser with access to the BMW Online portal. Services include news, with the ability to set up RSS news feeds, weather and the Google local search, a business listing search facility. Includes subscription to the services for three years (customer registration required to activate services). Please note function disabled when vehicle is in motion. Automatically included with a navigation system – 606 / 609, 612 BMW ConnectedDrive – Assist and 633 Bluetooth telephone preparation with telematics. Only with 606 / 609 and 612 and 633.	○	○	○	○	○	○	○	○	○	○	○	○	○	○	○	○	○	○	○	○	○	○	○	○	○	£0
BMW Individual audio system 752 825 W power amplifier featuring 16 high-performance speakers with exclusive neodym magnet drives, hexacone diaphragms and DIRAC signal processing which enable a perfectly timed acoustic experience in all seats. Volume and equaliser settings adjust automatically to the vehicle speed. Only on M Sport models or SE models with leather.	–	–	–	–	–	○	○	○	○	○	○	○	–	–	–	–	–	○	○	○	○	○	○	○	○	£1,405
CD changer 672 CD changer for six CDs located in the luggage compartment. MP3 compatible.	○	○	○	○	○	○	○	○	○	○	○	○	○	○	○	○	○	○	○	○	○	○	○	○	○	£290
DAB digital radio 654 Enables reception of digital audio programmes.	○	○	○	○	○	○	○	○	○	○	○	○	○	○	○	○	○	○	○	○	○	○	○	○	○	£305
Loudspeaker system – BMW Business 676 Loudspeaker system with a total of 10 loudspeakers, 3-way system with: – 4 midrange speakers (2 in the front doors, 2 in the rear side trim) – 4 tweeters (2 in the front doors, 2 in the rear side trim) Output power with a total of 4 x 25 W – 2 central bass speakers (underneath the seats) Output power 2 x 40 W Amplifier with vehicle-specific equalising.	○	○	○	○	○	○	○	○	○	○	○	○	○	○	○	○	○	○	○	○	○	○	○	○	○	£380

Key Only with – these options must be ordered together
/ = Indicates 'or'

○ = Optional – = Not available

	318i ES	318i SE	318i M Sport	320i ES	320i SE	320i M Sport	325i SE	325i M Sport	330i SE	330i M Sport	335i SE	335i M Sport	318d ES	318d SE	318d M Sport	320d ES	320d SE	320d M Sport	325d SE	325d M Sport	330d SE	330d M Sport	335d SE	335d M Sport	Price	
Audio and communication (cont.)																										
Loudspeaker system – LOGIC7 Professional 677 LOGIC7 Professional loudspeaker system with a total of 13 loudspeakers: – 2 high-power central bass speakers, output power 2 x 70 W – 6 high-power midrange speakers (1 in each door, 2 in the headlining) – 4 high-power tweeters (2 in front doors, 2 in the rear side trim) – 1 high-power midrange speaker in the middle of the instrument panel Total output power of tweeters and midrange speakers 7 x 40 W. Selectable surround function and vehicle and speed-specific equalising.	○	○	○	○	○	○	○	○	○	○	○	○	○	○	○	○	○	○	○	○	○	○	○	○	○	£805
Navigation system – BMW Business 606 6.5" colour monitor, map and arrow display, dynamic route planning. Features: – iDrive Controller with intuitive operation and shortcut buttons – FM/AM/LW RDS twin tuner with TMC (Traffic Message Channel) – Single CD drive for both Navigation and audio – Title search – Forward and reverse – Scan, random – Operating knob with decorative ring in Matt Chrome Pearl Grey – Favourite buttons (eight programmable buttons for iDrive functions) Extended Personal Profile functions can be set by means of iDrive, including On-Board Computer with extended functions. Note – if a telephone system is also required, please specify 633 Bluetooth telephone preparation with telematics, 612 BMW ConnectedDrive – Assist and 616 BMW ConnectedDrive – Online. Includes 534 on ES models. Not with 601 / 609 / 644.	○	○	○	○	○	○	○	○	○	○	○	○	○	○	○	○	○	○	○	○	○	○	○	○	○	£2,040
	○	○	○	○	○	○	○	○	○	○	○	○	○	○	○	○	○	○	○	○	○	○	○	○	○	£1,530

Key Not with – these options are not available for ordering together
/ = Indicates 'or'

○ = Optional

		318i ES	318i SE	318i M Sport	320i ES	320i SE	320i M Sport	325i SE	325i M Sport	330i SE	330i M Sport	335i SE	335i M Sport	318d ES	318d SE	318d M Sport	320d ES	320d SE	320d M Sport	325d SE	325d M Sport	330d SE	330d M Sport	335d SE	335d M Sport	Price
Audio and communication (cont.)																										
Navigation system – BMW Professional Multimedia 609	Navigation system with intuitive operation and shortcut buttons	○			○									○			○									£2,435
	– High resolution Control Display with 8.8" colour flat screen (LCD), divided into main window and assistant window – Built in hard disc drive for improved speed of operation and data storage – Detailed navigation map and options to enhance route planning – Multimedia capability with 12GB storage for audio files – Favourite buttons (eight programmable buttons for iDrive functions) – DVD playback functionality Note – if a telephone system is also required, please specify 633, Bluetooth telephone preparation with telematics, 612, BMW ConnectedDrive – Assist and 616, BMW ConnectedDrive – Online. Includes 534 on ES models. Not with 606 / 644.		○	○																						
TV function 601	With hybrid video module for analogue and digital TV reception whilst vehicle is stationary. Only with 609.	○	○	○	○	○	○	○	○	○	○	○	○	○	○	○	○	○	○	○	○	○	○	○	○	£795
	USB audio interface 6FL	○	○	○	○	○	○	○	○	○	○	○	○	○	○	○	○	○	○	○	○	○	○	○	○	£200
Voice Control 620	Voice Control of various telephone, entertainment, and navigation functions: – Audio sources, tracks – Air conditioning settings – Navigation displays – Telephone Only with 606 / 609.	○	○	○	○	○	○	○	○	○	○	○	○	○	○	○	○	○	○	○	○	○	○	○	○	£315

Key Only with – these options must be ordered together
Not with – these options are not available for ordering together
/ = Indicates 'or'

○ = Optional

		318i ES	318i SE	318i M Sport	320i ES	320i SE	320i M Sport	325i SE	325i M Sport	330i SE	330i M Sport	335i SE	335i M Sport	318d ES	318d SE	318d M Sport	320d ES	320d SE	320d M Sport	325d SE	325d M Sport	330d SE	330d M Sport	335d SE	335d M Sport	Price
Paintwork, upholstery and trims																										
Non-metallic paintwork uni	Non-metallic paintwork	●	●	●	●	●	●	●	●	○	○	○	○	●	●	●	●	●	●	●	○	○	○	○	○	£0
	Metallic paintwork met	○	○	○	○	○	○	○	○	○	●	●	●	●	○	○	○	○	○	○	○	○	○	○	○	○
BMW Individual paintwork Ind	BMW Individual paintwork	○	○	○	○	○	○	○	○					○	○	○	○	○	○	○	○					£1,305
	Vertex cloth upholstery EB	●	●	–	●	●	–	●	–	●	–	●	–	●	●	–	●	●	–	●	–	●	–	●	–	std
Blue Shadow cloth / Alcantara upholstery AN	Blue Shadow cloth upholstery. Standard on M Sport models. Seat base and back in Blue Shadow cloth. Side support on back and base in Alcantara upholstery.	–	–	●	–	–	●	–	●	–	●	–	●	–	–	●	–	–	●	–	●	–	●	–	●	std
	Impulse cloth / leather upholstery FM	○	○	–	○	○	–	○	–	○	–	○	–	○	○	–	○	○	–	○	–	○	–	○	–	£410
Dakota leather upholstery LC	Dakota leather upholstery	○	○		○	○		○		○		○		○	○		○	○		○		○		○		£1,215
	BMW Individual Merino leather upholstery ZA	○	○		○	○		○		○		○		○	○		○	○		○		○		○		£2,405
				○			○		○		○		○		○		○		○		○		○		○	£2,190

Key Only with – these options must be ordered together




● = Standard ○ = Optional – = Not available

		318i ES	318i SE	318i M Sport	320i ES	320i SE	320i M Sport	325i SE	325i M Sport	330i SE	330i M Sport	335i SE	335i M Sport	318d ES	318d SE	318d M Sport	320d ES	320d SE	320d M Sport	325d SE	325d M Sport	330d SE	330d M Sport	335d SE	335d M Sport	Price
Paintwork, upholstery and trims (cont.)																										
Interior trim, Satin Silver	4CG	●	●	-	●	●	-	●	-	●	-	●	-	●	●	-	●	●	-	●	-	●	-	●	-	std
Interior trim finisher for the instrument panel, centre console and doors in Satin Silver.																										
Interior trim, Aluminium Glacier Silver	4MG	-	-	●	-	-	●	-	●	-	●	-	●	-	-	●	-	-	●	-	●	-	●	-	●	std
Interior trim finisher for the instrument panel, centre console and doors in Aluminium Glacier Silver.																										
Interior trim, Black, high-gloss	4AT	○	○	-	○	○	-	○	-	○	-	○	-	○	○	-	○	○	-	○	-	○	-	○	-	£75
Interior trim finisher for the instrument panel, centre console and doors in Black high-gloss.																										
Interior trim, Grey, high-gloss	4BX	○	○	-	○	○	-	○	-	○	-	○	-	○	○	-	○	○	-	○	-	○	-	○	-	£75
Interior trim finisher for the instrument panel, centre console and doors in Grey high-gloss.																										
Interior trim, Fine Brushed Aluminium	4B9	○	○		○	○		○	○		○	○		○	○		○	○		○	○		○	○		£210
Interior trim finisher for the instrument panel, centre console and doors in Fine Brushed Aluminium.				○			○		○		○		○		○		○		○		○		○		○	£0
Interior trim, Burr Walnut wood	4AB	○	○		○	○		○	○		○	○		○	○		○	○		○	○		○	○		£295
Interior trim finisher for the instrument panel, centre console and doors in Burr Walnut wood.				○			○		○		○		○		○		○		○		○		○		○	£90
Interior trim, Light Walnut wood	4A3	○	○		○	○		○	○		○	○		○	○		○	○		○	○		○	○		£295
Interior trim finisher for the instrument panel, centre console and doors in Light Walnut wood.				○			○		○		○		○		○		○		○		○		○		○	£90
Interior trim, BMW Individual Anthracite Maple wood	XE2	○	○		○	○		○	○		○	○		○	○		○	○		○	○		○	○		£555
Interior trim finisher for the instrument panel, centre console and doors in Anthracite Maple wood.				○			○		○		○		○		○		○		○		○		○		○	£355
Interior trim, BMW Individual Piano Black with inlay	XE8	○	○		○	○		○	○		○	○		○	○		○	○		○	○		○	○		£555
Interior trim finisher for the instrument panel, centre console and doors in Piano Black with inlay.				○			○		○		○		○		○		○		○		○		○		○	£355
Interior trim, BMW Individual Red Brown Figured Eucalyptus	XE3	○	○		○	○		○	○		○	○		○	○		○	○		○	○		○	○		£555
Interior trim finisher for the instrument panel, centre console and doors in Red Brown Figured Eucalyptus wood.				○			○		○		○		○		○		○		○		○		○		○	£355

Key ● = Standard ○ = Optional - = Not available

		318i ES	318i SE	318i M Sport	320i ES	320i SE	320i M Sport	325i SE	325i M Sport	330i SE	330i M Sport	335i SE	335i M Sport	318d ES	318d SE	318d M Sport	320d ES	320d SE	320d M Sport	325d SE	325d M Sport	330d SE	330d M Sport	335d SE	335d M Sport	Price
Packages																										
Media package – BMW Business	ZB3	○			○									○			○									£1,995
Contents: – 633, Bluetooth telephone preparation with telematics – 612, BMW ConnectedDrive – Assist – 616, BMW ConnectedDrive – Online – 606, Navigation system – BMW Business			○	○		○	○	○	○	○	○	○	○	○	○	○	○	○	○	○	○	○	○	○	○	£1,610
Media package – BMW Professional Multimedia	ZP3	○			○									○			○									£2,280
Contents: – 633, Bluetooth telephone preparation with telematics – 612, BMW ConnectedDrive – Assist – 616, BMW ConnectedDrive – Online – 609, Navigation system – BMW Professional Multimedia – 620, Voice Control			○	○		○	○	○	○	○	○	○	○	○	○	○	○	○	○	○	○	○	○	○	○	£1,895
Visibility package	ZV3	○	○	○	○	○	○							○	○	○	○	○	○							£855
Contents: – 524, Adaptive Headlights – 502, Headlight wash (included with 524) – 5AC, High-beam Assistant – 521, Rain sensor with automatic headlight activation – 522, Xenon headlights (included with 524)								○	○											○	○					£790
									○	○	○	○										○	○	○	○	£655

Key ○ = Optional

			318i ES	318i SE	318i M Sport	320i ES	320i SE	320i M Sport	325i SE	325i M Sport	330i SE	330i M Sport	335i SE	335i M Sport	318d ES	318d SE	318d M Sport	320d ES	320d SE	320d M Sport	325d SE	325d M Sport	330d SE	330d M Sport	335d SE	335d M Sport	Price
---	---	---	---------	---------	--------------	---------	---------	--------------	---------	--------------	---------	--------------	---------	--------------	---------	---------	--------------	---------	---------	--------------	---------	--------------	---------	--------------	---------	--------------	-------

Options available from your dealer

BMW Service Inclusive	Covers the cost of labour and parts for all routine servicing for 5 years or 60,000 miles, whichever comes first. Cover includes: brake fluid, air filters, micro filters, fuel filter (diesel models only), spark plugs, oil filters, engine oil. Transferable to subsequent owners.																											
5 years / 60,000 miles		<input type="checkbox"/>	<input type="checkbox"/>	<input type="checkbox"/>	<input type="checkbox"/>	<input type="checkbox"/>	<input type="checkbox"/>	<input type="checkbox"/>	<input type="checkbox"/>	<input type="checkbox"/>	<input type="checkbox"/>	<input type="checkbox"/>	<input type="checkbox"/>	<input type="checkbox"/>	<input type="checkbox"/>	<input type="checkbox"/>	<input type="checkbox"/>	<input type="checkbox"/>	<input type="checkbox"/>	<input type="checkbox"/>	<input type="checkbox"/>	<input type="checkbox"/>	<input type="checkbox"/>	<input type="checkbox"/>	<input type="checkbox"/>	<input type="checkbox"/>	<input type="checkbox"/>	£685
								<input type="checkbox"/>	<input type="checkbox"/>	<input type="checkbox"/>	<input type="checkbox"/>	<input type="checkbox"/>	<input type="checkbox"/>	<input type="checkbox"/>	<input type="checkbox"/>	<input type="checkbox"/>	<input type="checkbox"/>	<input type="checkbox"/>	<input type="checkbox"/>	<input type="checkbox"/>	<input type="checkbox"/>	<input type="checkbox"/>	<input type="checkbox"/>	<input type="checkbox"/>	<input type="checkbox"/>	<input type="checkbox"/>	<input type="checkbox"/>	£790
BMW Service Inclusive Plus	Covers the cost of labour, parts and lubricants for all routine servicing and maintenance for 5 years or 60,000 miles, whichever comes first. Cover includes: brake pads, brake discs, brake sensors, brake fluid, air filters, micro filters, fuel filter (diesel models only), spark plugs, oil filters, engine oil, clutch assembly (only if worn) and wiper blade rubbers. Transferable to subsequent owners.																											
5 years / 60,000 miles		<input type="checkbox"/>	<input type="checkbox"/>	<input type="checkbox"/>	<input type="checkbox"/>	<input type="checkbox"/>	<input type="checkbox"/>	<input type="checkbox"/>	<input type="checkbox"/>	<input type="checkbox"/>	<input type="checkbox"/>	<input type="checkbox"/>	<input type="checkbox"/>	<input type="checkbox"/>	<input type="checkbox"/>	<input type="checkbox"/>	<input type="checkbox"/>	<input type="checkbox"/>	<input type="checkbox"/>	<input type="checkbox"/>	<input type="checkbox"/>	<input type="checkbox"/>	<input type="checkbox"/>	<input type="checkbox"/>	<input type="checkbox"/>	<input type="checkbox"/>	<input type="checkbox"/>	£1,605
								<input type="checkbox"/>	<input type="checkbox"/>	<input type="checkbox"/>	<input type="checkbox"/>	<input type="checkbox"/>	<input type="checkbox"/>	<input type="checkbox"/>	<input type="checkbox"/>	<input type="checkbox"/>	<input type="checkbox"/>	<input type="checkbox"/>	<input type="checkbox"/>	<input type="checkbox"/>	<input type="checkbox"/>	<input type="checkbox"/>	<input type="checkbox"/>	<input type="checkbox"/>	<input type="checkbox"/>	<input type="checkbox"/>	<input type="checkbox"/>	£1,850
BMW Trackstar	24-hour vehicle tracking device utilising GSM, GPS technology and a vehicle movement sensor. (Meets Thatcham Quality Accreditation – TQA.)	<input type="checkbox"/>	<input type="checkbox"/>	<input type="checkbox"/>	<input type="checkbox"/>	<input type="checkbox"/>	<input type="checkbox"/>	<input type="checkbox"/>	<input type="checkbox"/>	<input type="checkbox"/>	<input type="checkbox"/>	<input type="checkbox"/>	<input type="checkbox"/>	<input type="checkbox"/>	<input type="checkbox"/>	<input type="checkbox"/>	<input type="checkbox"/>	<input type="checkbox"/>	<input type="checkbox"/>	<input type="checkbox"/>	<input type="checkbox"/>	<input type="checkbox"/>	<input type="checkbox"/>	<input type="checkbox"/>	<input type="checkbox"/>	<input type="checkbox"/>	<input type="checkbox"/>	£214.34*
BMW Trackstar 5	24-hour vehicle tracking device utilising GSM, GPS technology, a vehicle movement sensor and a driver authentication device. (Meets Thatcham Category 5 Accreditation – Cat 5.)	<input type="checkbox"/>	<input type="checkbox"/>	<input type="checkbox"/>	<input type="checkbox"/>	<input type="checkbox"/>	<input type="checkbox"/>	<input type="checkbox"/>	<input type="checkbox"/>	<input type="checkbox"/>	<input type="checkbox"/>	<input type="checkbox"/>	<input type="checkbox"/>	<input type="checkbox"/>	<input type="checkbox"/>	<input type="checkbox"/>	<input type="checkbox"/>	<input type="checkbox"/>	<input type="checkbox"/>	<input type="checkbox"/>	<input type="checkbox"/>	<input type="checkbox"/>	<input type="checkbox"/>	<input type="checkbox"/>	<input type="checkbox"/>	<input type="checkbox"/>	<input type="checkbox"/>	£439.45*

Key / = Indicates 'or'
 ○ = Optional
 * = Prices exclude fitment or subscription. Please consult your BMW Dealer for further details.

Services and Benefits.

Warranties

Every BMW registered is protected by a Dealer Warranty, which provides cover for 3 years' unlimited mileage. In addition, every BMW is covered by an unlimited mileage, twelve years' anti-corrosion warranty and three years' paintwork warranty.

Full details of these warranties are available from your BMW Dealer and are provided in the BMW Warranty and Emergency Service Handbook.

BMW Emergency Service

BMW Emergency Service is the only roadside and assistance programme designed specifically for BMW vehicles offering an exceptional range of benefits and services. It is available 24 hours a day, 7 days a week and utilises a dedicated fleet of BMW Approved Technicians, equipped with Genuine BMW Parts and tools, ensuring that you and your vehicle receive the best possible care in the event of any motoring emergency. This tailor-made programme has been specifically designed to meet the needs of BMW drivers travelling in the UK and Continental Europe giving complete reassurance and peace of mind. Every new BMW is covered for three years.



BMW Magazine

Every new BMW customer receives a complimentary subscription to BMW Magazine. This lifestyle publication features all the latest news and developments from BMW, including interesting interviews, sporting news, travel experiences and art stories.

Finance and Insurance from BMW.

BMW Financial Services

Chances are, you've already decided on the BMW you want to drive. Now discover the perfect finance solution to get you behind the wheel. BMW Financial Services offers a range of tailor-made finance packages to suit you and your budget.

And to help you, at every BMW Dealership, there's a Financial Services Specialist – a dedicated expert who'll find the perfect solution for you. They'll talk you through the options and help you come to the right decision.

Our comprehensive range of finance and insurance products include:

- **BMW Select (Personal Contract Purchase)**
- **BMW Hire Purchase**
- **BMW Contract Hire**
- **BMW Car Insurance**
- **BMW Home Insurance**
- **BMW Travel Insurance**

For details of your local BMW Dealer, please call 0800 325600. Further information on our finance products can be found at www.bmw.co.uk

Finance is subject to status and available to over 18's in the UK only (excludes the Channel Islands). Guarantees and indemnities may be required. Finance is provided by BMW Financial Services, Europa House, Bartley Way, Hook, Hampshire, RG27 9UF.

BMW Car Insurance

Driving a BMW shows that you refuse to compromise on the quality of your car so why should your car insurance be any different? Designed for you, BMW Car Insurance offers cover that can help give you peace of mind.

Call BMW Car Insurance today on 0870 0240 520.

Lines open 8am – 8pm Monday to Friday, 9am – 5pm Saturdays. Max call charge from a BT landline is 8p a minute. Calls from other networks may vary.

BMW Car Insurance is underwritten by UK Insurance Limited. The Wharf, Neville Street, Leeds, LS1 4AZ, which is authorised and regulated by The Financial Services Authority.

BMW ConnectedDrive.

BMW ConnectedDrive provides telematic and online services that are fully integrated with your navigation and Bluetooth telephone system. The services provide you and your passengers access to key information from within the vehicle, helping you keep safe and in touch.



Emergency 999 SOS call

The emergency SOS call provides a direct link to a 999 emergency call centre. This call can either be activated manually, or in extreme situations the sensors in the vehicle will automatically make the call and transmit your location to the emergency services. In either instance you can be assured that help can be despatched without delay.

Breakdown call

Roadside breakdown assistance is never far away because with BMW ConnectedDrive your vehicle will have a direct link to the BMW Service Centre. This link automatically provides the operator with your vehicle details and position so that a BMW Approved Technician can be despatched quickly and easily.

Information Plus

At the push of a button local information is available wherever you may be in the country, using the Information Plus service. The service is available 24 hours a day, seven days a week and connects you to an operator who will be able to quickly access the information you need. You can request places of interest, from hotels and restaurants to museums or historical attractions. The information is then sent to your car and can then be used in your navigation system to plan a route to your destination, or to make a call on your Bluetooth telephone.

My Info

As a BMW ConnectedDrive customer you will be able to access an internet website from where you, or others, can send information to your vehicle. Multiple addresses and telephone numbers can be sent to your vehicle, they can then be transferred into your navigation system or your Bluetooth telephone. Using the My Info service you can also send residential addresses or business listings via Google Maps. When you have found a place of interest or entered the address in the map, there is a send-to-car function on the website, this will send the address and telephone number to your vehicle.

Remote Services

Remote Services provides you with the facility to contact the BMW Service Centre, who can remotely lock or unlock your vehicle. You will be required to activate your vehicle and set-up your own personal security questions within the ConnectedDrive website. After you have set-up the service, should you be in a situation where you have accidentally locked your keys in the car, the BMW Service Centre will be able to unlock your vehicle. Likewise, if you are not near your car and you cannot remember if you have locked the car, our call centre can remotely lock the vehicle for you.

Extended News and Weather

BMW ConnectedDrive provides you with access to a WAP-based browser which connects to the BMW Online portal. The portal displays the latest Weather forecast and Extended News stories from categories such as World, Business and Sports News.

My News

From your BMW Online portal, My News provides you with a selection of the latest news from internet sources, which can be defined as you desire. Through these RSS news feeds, titles and short summaries of news items from websites will be visible directly in the Control Display of your BMW. This gives you quick access to your favoured news topics and enables you to keep in touch.

Google local search

With the Google local search you can access location based information via Google Maps, from the BMW Online portal in the car. Information such as hotels and restaurants can be requested at the current vehicle location, navigation destination or at any other specific location. The content is taken directly from live Google Maps information. Search results appear in a list format, the addresses can be transferred into the navigation system or the telephone number can be transferred to a Bluetooth telephone. Some search results contain additional information such as opening hours, car park details or pictures of the location.

Routes*

With Routes you have the facility to import a route with multiple stop-off points into the navigation system. BMW Routes provides a number of default routes across Europe for you to import in your car via BMW Online. My Routes allows you to configure your own routes on the ConnectedDrive website. They can be saved onto a USB memory stick and you can import them directly into your vehicle. This provides you with the facility to plan a trip from the comfort of your own home.

*Routes is only applicable to vehicles with 609 BMW Professional Multimedia Navigation system or ZP3 Media Package – BMW Professional.

BMW ConnectedDrive website

As a BMW ConnectedDrive customer you will have access to an internet website with a route planner, traffic information and text message service. The website provides a link to your vehicle by allowing you to send information to your car. You can also modify your news links for My News, or set-up Remote Services for your car. Additional services such as profile settings and a handy help page are also featured.

A three year BMW ConnectedDrive subscription is included with every vehicle equipped with an optional navigation system (606 or 609) and Bluetooth telephone preparation with telematics (633) or with a Media package (ZB3 or ZP3). In conjunction with Bluetooth telephone preparation with telematics (633), unlimited use of BMW ConnectedDrive is included within the subscription.

In the UK ConnectedDrive services require a connection to a UK mobile telephone network. Services are not available on the Isle of Man or the Channel Islands. Some services are available in other European countries, refer to your BMW dealer for more details. Terms and conditions apply.

Aftersales.

BMW Service Inclusive

Wouldn't it be good to know all your servicing costs in advance? Well, that's exactly what BMW Service Inclusive provides. Once you have decided which of the options best suits your needs, you can simply relax, and look forward to enjoying care-free driving, courtesy of BMW Service Inclusive.

BMW Service Inclusive lasts for 5 years or 60,000 miles (whichever occurs sooner), so all you need to do is decide which option suits you best. BMW Service Inclusive – covering all your vehicle's servicing requirements or BMW Service Inclusive Plus which in addition to servicing also covers maintenance items such as brakes pads, brake discs and windscreen wipers.

Furthermore, BMW Service Inclusive is transferable to subsequent owners within the time and mileage period, enhancing the resale value of your car.*

*For further information please contact your local BMW Dealer.

Genuine BMW Accessories

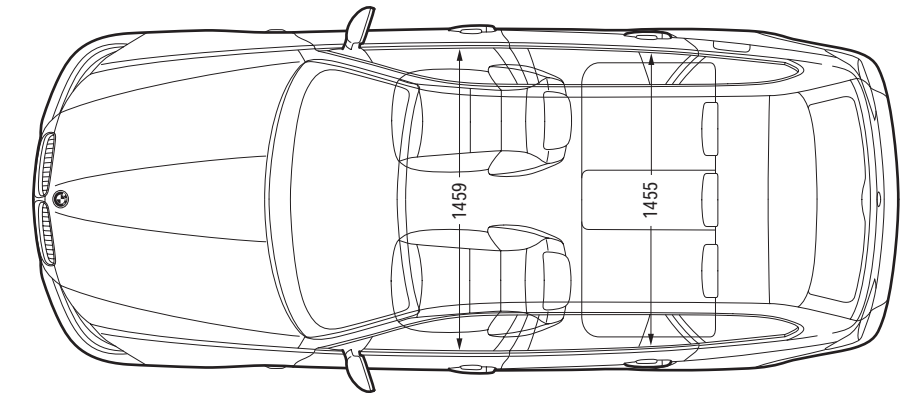
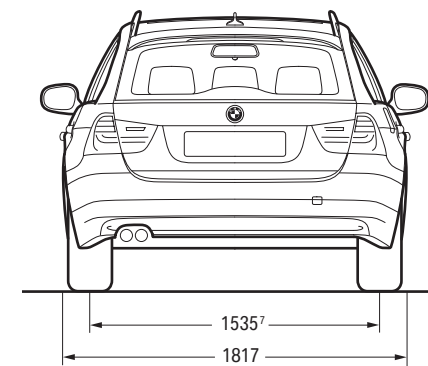
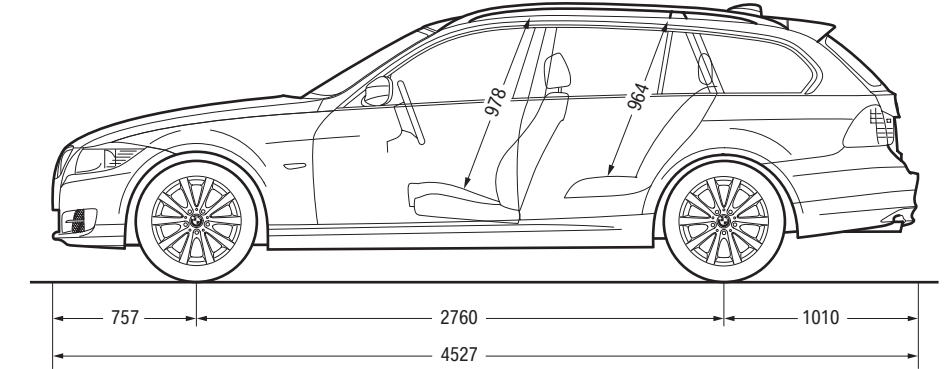
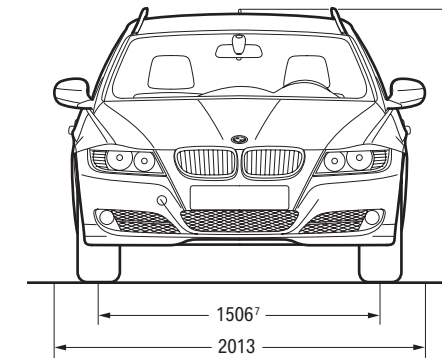
Your choice of car says a great deal about you. Genuine BMW Accessories allow you to make that statement even more personal. There's endless scope for personalising your BMW to suit your needs and style, with a wide range of accessories from exterior and interior styling to mobile communications, all of which have been designed to the same exacting standards as your vehicle. For further details on Genuine BMW Accessories for your BMW, please contact your local BMW Dealer.

BMW Lifestyle

The BMW Lifestyle Collection reflects the exclusivity and versatility of BMW design. This innovative product range demonstrates the highest quality in both materials and functionality. The extensive product portfolio includes clothing and accessories items such as miniatures, keyrings, leather goods, mountain bikes, kids' mobility products, golf accessories, motorsport and yachting products.

BMW 3 Series Touring

	318i Touring	320i Touring	325i Touring	330i Touring	335i Touring	318d Touring	320d Touring	325d Touring	330d Touring	335d Touring
Engine and performance										
Configuration	In line 4 / 4	In line 4 / 4	In line 6 / 4	In line 6 / 4	In line 6 / 4	In line 4 / 4	In line 4 / 4	In line 6 / 4	In line 6 / 4	In line 6 / 4
Displacement [cc]	1995	1995	2996	2996	2979	1995	1995	2993	2993	2993
Stroke / Bore [mm]	90 / 84	90 / 84	88 / 85	88 / 85	89.6 / 84	90 / 84	90 / 84	90 / 84	90 / 84	90 / 84
Power output [hp]	143	170	218	272	306	143	177	197	245	286
Torque output [Nm]	190	210	270	320	400	300	350	400	520	580
Top speed [mph]	130 (130)	140 (139)	154 (153)	155 ⁶ (155) ⁶	155 ⁶ (155) ⁶	130 (130)	142 (140)	145 (144)	155 ⁶ (155) ⁶	(155) ⁶
0-62 mph¹ [s]	9.5 (10.4)	8.4 (9.2)	6.9 (7.3)	6.2 (6.4)	5.7 (5.9)	9.6 (9.7)	8.1 (8.3)	7.6 (7.7)	6.2 (6.3)	(6.1)
Fuel consumption and emissions^{2,3}										
Urban [mpg / l/100km]	35.3 / 8.0 (32.8 / 8.6)	33.2 / 8.5 (31.0 / 9.1)	28.5 / 9.9 (28.8 / 9.8)	28.2 / 10.0 (28.0 / 10.1)	21.1 / 13.4 (21.4 / 13.2)	48.7 / 5.8 (38.7 / 7.3)	46.3 / 6.1 (38.7 / 7.3)	36.2 / 7.8 (34.4 / 8.2)	37.7 / 7.5 (34.9 / 8.1)	(30.7 / 9.2)
Extra-Urban [mpg / l/100km]	57.6 / 4.9 (53.3 / 5.3)	57.6 / 4.9 (53.3 / 5.3)	50.4 / 5.6 (49.6 / 5.7)	49.6 / 5.7 (48.7 / 5.8)	40.9 / 6.9 (40.4 / 7.0)	67.3 / 4.2 (61.4 / 4.6)	67.3 / 4.2 (61.4 / 4.6)	58.9 / 4.8 (54.3 / 5.2)	56.5 / 5.0 (53.3 / 5.3)	(52.3 / 5.4)
Combined [mpg / l/100km]	47.1 / 6.0 (43.5 / 6.5)	45.6 / 6.2 (42.2 / 6.7)	39.2 / 7.2 (39.2 / 7.2)	38.7 / 7.3 (38.2 / 7.4)	30.4 / 9.3 (30.4 / 9.3)	58.9 / 4.8 (50.4 / 5.6)	57.6 / 4.9 (50.4 / 5.6)	47.9 / 5.9 (44.8 / 6.3)	47.9 / 5.9 (44.8 / 6.3)	(41.5 / 6.8)
CO₂ emissions [g/km]	144 (156)	148 (160)	173 (173)	175 (178)	222 (223)	125 (146)	130 (146)	155 (165)	155 (165)	(178)
Emissions classification	EU4	EU4	EU4	EU4	EU4	EU5	EU5	EU4	EU5	EU4
Additional technical data										
Luggage capacity [l]	460 - 1385	460 - 1385	460 - 1385	460 - 1385	450 - 1375	460 - 1385	460 - 1385	460 - 1385	460 - 1385	450 - 1375
Fuel tank capacity [l]	63	63	63	63	63	61	61	61	61	61
Curb weight: DIN/EU⁴ [kg]	1430 / 1505	1430 / 1505	1510 / 1585	1540 / 1605	1615 / 1690	1505 / 1580	1505 / 1580	1590 / 1665	1600 / 1675	1645 / 1720
Axle unloaded ratio DIN [%]	51.9	51.9	51.1	51.1	49.7	51.3	51	50.4	50.1	49.1
Gross weight / Payload [kg]	1970 / 540	1970 / 540	2050 / 540	2080 / 540	2155 / 540	2045 / 540	2045 / 540	2130 / 540	2140 / 540	2185 / 540
Axle loaded limit front/rear [kg]	900 / 1135	900 / 1135	945 / 1160	955 / 1175	1005 / 1190	940 / 1160	940 / 1160	990 / 1190	1000 / 1200	1020 / 1200
Trailer load braked⁵ [kg]	1250 / 1600	1400 / 1600	1600 / 1700	1700 / 1800	1700 / 1800	1600 / 1700	1600 / 1800	1800	1800	1800
Trailer load unbraked⁵ [kg]	695	695	745	750	750	745	745	750	750	750
Roof load limit [kg]	75	75	75	75	75	75	75	75	75	75
Drag coefficient [cd]	0.27	0.27	0.28	0.29	0.31	0.27	0.28	0.29	0.29	0.31



All dimensions in millimetres.

¹ 0-62 mph is equal to 0-100 km/h

² The petrol engines are designed for RON 98 grade fuel. They can be run on fuel down to RON 91 (for 335i RON 95-98) with a decrease in power.

³ All engines meet at least the EU4 emissions standard. Fuel consumption is determined in accordance with the ECE driving cycle made up of approximately one third urban traffic and two thirds extra-urban driving (based on the distance covered). CO₂ emissions are measured in addition to fuel consumption.

⁴ The figure quoted includes a 90 per cent tank filling, 68 kg for the driver and 7 kg for luggage. Unladen weight applies to vehicles with standard equipment. Optional equipment may increase this figure.

⁵ The overall weight of the trailer may not exceed the maximum permissible trailer load plus the maximum permissible towbar download. Based at 12% / 8%.

⁶ Electronically limited.

⁷ Please note that for 325d, 330i/d and 335i/d the front track is 1500 mm and the rear track is 1529 mm.

Figures in () apply to cars with automatic transmission.

More about BMW

Tel. 0800 325 600
www.bmw.co.uk



**The Ultimate
Driving Machine**



This price list is printed on paper which has
been sourced from sustainably managed forests.