

The BMW X6



The Ultimate  
Driving Machine

Price List

**BMW EfficientDynamics**  
Less emissions. More driving pleasure.



From April 2009



## Contents

- 4 BMW EfficientDynamics
- 6 Technical Introduction
- 7 Pricing
- 8 Standard Equipment
- 11 Paintwork
- 12 Interior Trim
- 13 Upholstery
- 14 Paintwork and Upholstery Combinations
- 15 Interior Trim and Upholstery Combinations
- 16 Colour Linked Parts
- 17 Wheels and Tyres
- 18 BMW Individual
- 19 Optional Equipment
- 35 More about BMW
- 38 Technical Data



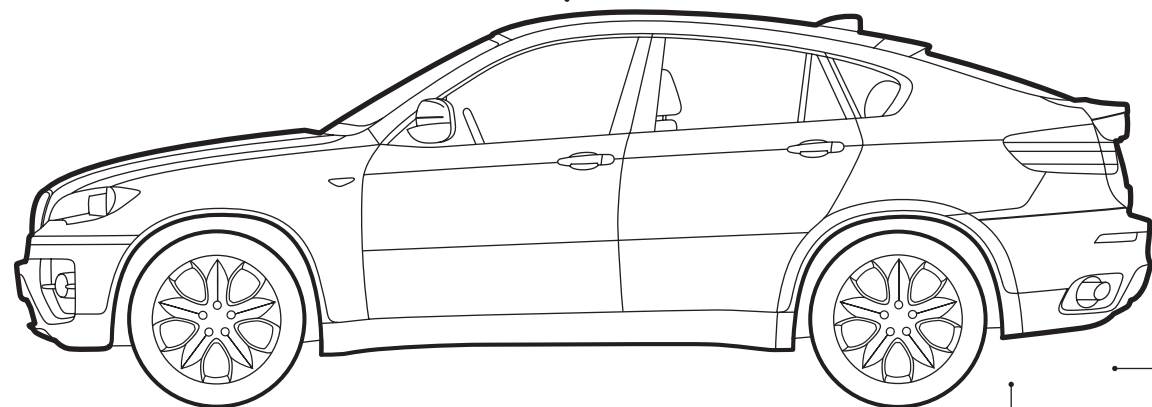


## This is how much has gone in.

The pleasure you get from driving a BMW is the result of fine engineering – always setting the benchmark because it is based on much more than engine power. This is the thinking behind BMW's programme of EfficientDynamics. A change in philosophy, this programme of technologies helps to make positive changes in reducing CO<sub>2</sub> emissions and improving fuel consumption whilst enhancing driving dynamics. Changes for both today and tomorrow. Today's solutions include Brake Energy Regeneration, an innovative process for harnessing energy previously lost. As for tomorrow – even more advanced technologies to improve emissions and fuel consumption as we move towards BMW's vision of CleanEnergy and the use of hydrogen-powered engines. Nothing lost, but much gained. BMW EfficientDynamics: pushing the boundaries in terms of performance and dynamism – without compromise.

### Lightweight Engineering

Our engineers use aluminium and high-grade thermoplastic where lighter materials are more expedient, for instance in the front section or for the suspension. The six-cylinder in-line petrol engine is composed of aluminium and magnesium, making this engine the lightest in its class. These weight savings lead to lower fuel consumption and better axle load distribution for more agility, especially in bends. (Standard on all models.)



### Active Aerodynamics

Engine management signals the engine's current cooling capacity requirements constantly while driving. Rendering a permanent airstream through the radiator unnecessary. The air vents in front of the radiator open or close depending on the environmental temperature and road speed. When shut they improve aerodynamics, shorten the engine's warm-up time and so reduce fuel consumption. (Standard on all models.)

### Brake Energy Regeneration

The alternator disengages automatically when the battery is fully charged, only re-engaging when the battery needs charging. In addition, the system engages automatically when the car's brakes are applied or when coasting, to recycle otherwise wasted energy. (Standard on all models.)

Certain BMW EfficientDynamics features may be excluded depending on the optional equipment chosen. Your BMW Dealer will be pleased to provide you with more information.

## And this is what comes out.

BMW already offers 81 models\* with CO<sub>2</sub> emissions of 140 g/km or less. But that's just for starters. We're carrying on our research – in the quest to bring you more driving pleasure and less consumption.

\* In the UK and Republic of Ireland.



# BMW X6

Model	Power output (hp)	0-62 mph (secs)	Combined fuel consumption (mpg)	CO <sub>2</sub> emissions (g/km)	VED band	Insurance group
<b>Petrol</b>						
<b>X6 xDrive35i</b>	306	6.7	25.4	259	G	19 / 47
<b>X6 xDrive50i</b>	408	5.4	22.1	299	G	20 / 50
<b>Diesel</b>						
<b>X6 xDrive30d</b>	235	8.0	34.4	217	F	18 / 44
<b>X6 xDrive35d</b>	286	6.9	34.0	220	F	19 / 47

Basic price (excluding VAT)	VAT	Retail price (including VAT)	On the road price	P11d value	BIK tax rate (2008 / 2009)
£36,508.70	£5,476.30	£41,985	<b>£43,120</b>	£42,665	35%
£45,769.57	£6,865.43	£52,635	<b>£53,770</b>	£53,315	35%
£36,008.70	£5,401.30	£41,410	<b>£42,355</b>	£42,090	34%
£37,904.35	£5,685.65	£43,590	<b>£44,535</b>	£44,270	35%

## Prices and Specifications

BMW (UK) Limited reserves the right to alter prices and specifications without notice. BMW (UK) Limited has made every effort to ensure the accuracy of information but does not accept liability for any errors or omissions.

**Key** Insurance group figures refer to – 20 Group Rating System / 50 Group Rating System.

Since 1st March 2001 the annual VED rates for brand new cars are determined by their CO<sub>2</sub> emission figure.

All BMW cars fall into one of the six categories listed below:

CO <sub>2</sub> emissions g/km	Band B 101-120	Band C 121-150	Band D 151-165	Band E 166-185	Band F 186-225	Band G 226+
Vehicle Excise Duty	£35	£120	£145	£170	£210	£400

## On The Road Price

The recommended on the road price includes:

Delivery and BMW Emergency Service	£655
Number plates	£25
Vehicle first registration fee	£55
Vehicle Excise Duty (12 months)	See left



## X6 xDrive35i

### Engine

- Catalytic converter
- Digital Motor Electronics (DME)
- Double-VANOS
- EU5 emissions management
- Light alloy engine block and cylinder head
- Six-cylinder in-line engine petrol with high-precision direct injection
- Twin-turbo, each serving three cylinders
- VALVETRONIC engine management

### Transmission

- Dynamic Performance Control utilising rear axle variable torque distribution system, with display in instrument cluster
- Six-speed automatic transmission with electronic gear selector and Steptronic
- Steering wheel-mounted gearshift paddles in Pearl-gloss chrome
- xDrive four-wheel-drive system with fully-variable torque split

### Wheels and chassis

- 19" light alloy Star-spoke style 232 wheels
- Disc brakes front and rear, ventilated:
  - Front – 365 mm x 36 mm
  - Rear – 345 mm x 24 mm
- Double-wishbone front axle
- Electro-mechanical parking brake with auto-hold function
- Power-assisted steering, hydraulic
- Sport suspension

### Safety and technology

- Airbags comprising:
  - Crash sensor activating central locking release, hazard warning lights, interior lighting with fuel and main battery cut-off
  - Driver, front passenger, front and side
  - ITS head airbags, front and rear
  - Passenger seat airbag deactivation, front
- Alarm system (Thatcham 1) with remote control and engine immobiliser
- Anti-roll bars, front and rear
- Brake Force Display
- Child locking system, rear doors
- Cruise control with brake function
- Deformation zones – front and rear with door reinforcements and bumpers that regenerate to their original shape in impacts of up to 2.5 mph (4 km/h)
- Dynamic Stability Control Plus (DSC+) comprising:
  - Anti-lock Braking System (ABS)
  - Automatic Differential Brake (ADB-X)
  - Automatic Stability Control (ASC-X)
  - Brake Drying
  - Brake fade compensation
  - Brake pre-tensioning
  - Cornering Brake Control (CBC)
  - Dynamic Brake Control (DBC)
  - Dynamic Traction Control (DTC)
  - Electronic Brake-force Distribution (EBD)
  - Hill Descent Control (HDC)
  - Hill-start assistant
- First Aid kit and warning triangle
- Foglights, front and rear
- Follow-me-home headlight function
- Head restraints front and rear, height adjustable and removable (anti-whiplash and tilt adjustable in front)
- High level third brake light
- Park Distance Control (PDC), front and rear
- Rain sensor with automatic headlight activation
- Run-flat tyres with Tyre Puncture Warning System (TPWS)
- Seat belts – front inertia reel with pyrotechnical belt latch tensioner, belt force limiter, belt restrainer and manual height adjustment
- Seat belts – rear, with two inertia reels
- Side impact protection
- Visible VIN
- Wheel bolts, locking
- Xenon headlights

### Seats

- 60:40 split-folding rear seat
- Child seat ISOFIX attachments, two in rear
- Seat adjustment – front, part-electric
- Twill cloth upholstery
- Two individual rear seats with integrated rear console and folding centre armrest

### Exterior equipment

- All round anti-corrosion system with partial hot galvanising, phosphate treatment and cathodic dip paintwork, preservation of hollow cavities, underfloor protection
- Central locking system covering all doors, tailgate and fuel filler flap, with two remote control units including personal profile settings
- Door handles, rain channel, rear spoiler and roof moulding, body-coloured
- Downlights in exterior door handles
- Exhaust tailpipes – single, left and right, chrome
- Exterior mirrors – aspheric, tinted, heated, electric adjustment and part body-coloured
- Exterior trim, Matt Black
- Illuminated light rings, functioning as welcome lights, parking lights, daytime running lights and side lights
- Indicator lenses, clear
- Kidney grille, chrome with black vertical slats
- Metallic paintwork
- Tailgate, powered – one piece with intermediate stop function and sill finisher in stainless steel
- Windscreen washer jets, heated

### Interior equipment

- Air conditioning, automatic with two-zone control
- Ambient lighting in amber, in front and rear roof consoles
- Armrest – front, with storage compartment
- Courtesy lights, front and rear with soft on/off dimming
- Cup holders, front and rear
- Electric windows – front and rear, with open/close fingertip control, anti-trap facility and comfort closing function all round
- Floor mats, velour
- Footwell lights, front and rear
- Glove compartment, centrally-locked and illuminated
- Instrument binnacle with speedometer, tachometer, fuel level and coolant temperature gauges
- Interior trim, Dark Bamboo wood
- Knee pads on centre console for driver and front passenger, upholstered in line with seat selection
- Luggage compartment cover, foldable and removable

### Interior equipment (cont.)

- Luggage compartment lights in the tailgate
- Power socket, one 12V in luggage compartment
- Reading lights, front and rear
- Rear-view mirror, automatically dimming
- Securing rings in luggage compartment, four
- Smoker's package
- Sport leather steering wheel, three-spoke with multi-function and gearshift paddles
- Start-Stop button
- Steering column with manual reach and rake adjustment
- Storage compartments in interior door panels with anti-slip mats, illumination in amber
- Sun visors with illuminated vanity mirrors
- Toolkit located in luggage compartment
- Windows – heat-insulated, green-tinted all round
- Windscreen with grey shade band

### Audio and communication

- Auxiliary input point for auxiliary playing devices
- BMW Professional radio with single CD player (with MP3 playback capability)
- CD changer preparation
- Control Display – 6.5" colour display screen
- Favourite buttons
- iDrive Controller on centre console
- Loudspeaker system with six speakers
- On-Board Computer (OBC) comprising:
  - Average speed
  - Fuel consumption and range
  - Outside temperature display

**X6 xDrive50i**

Equipment in addition / replacement to xDrive35i

- 19" light alloy V-spoke style 257 wheels
- Disc brakes – front and rear, ventilated:
  - Front: 385 mm x 36 mm
  - Rear: 385 mm x 24 mm
- Exhaust tailpipes – single, left and right, chrome, angular
- Exterior trim, Satin Chrome
- Interior trim, Dark Ash wood
- Kidney grille, chrome with titanium vertical slats
- Nevada leather upholstery
- Seat adjustment – front, electric with driver memory
- Self-levelling air suspension, rear
- Twin-turbo, each serving four cylinders
- V8 petrol engine with high-precision direct injection

**X6 xDrive30d**

Equipment in addition / replacement to xDrive35i

- Diesel Particulate Filter (DPF)
- Digital Diesel Electronics (DDE)
- Disc brakes front and rear, ventilated:
  - Front – 348 mm x 30 mm
  - Rear – 320 mm x 20 mm
- EU4 emissions management
- Incorrect fuelling protection system
- Turbo, with variable turbine geometry
- Six-cylinder in-line diesel engine with common-rail technology

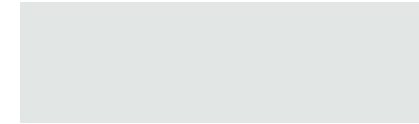
**X6 xDrive35d**

Equipment in addition / replacement to xDrive35i

- Diesel Particulate Filter (DPF)
- Digital Diesel Electronics (DDE)
- EU4 emissions management
- Incorrect fuelling protection system
- Kidney grille, chrome with titanium vertical slats
- Six-cylinder in-line diesel engine with common-rail technology
- Two-stage twin-turbo, operating sequentially



○ **Alpine White**  
300 non-metallic



○ **Jet Black**  
668 non-metallic



● **Black Sapphire**  
475 metallic



● **Deep Sea Blue**  
A76 metallic



● **Mineral Silver**  
A14 metallic



● **Monaco Blue**  
A35 metallic



● **Space Grey**  
A52 metallic



● **Tasman**  
A81 metallic



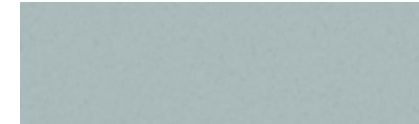
● **Titanium Silver**  
354 metallic



● **Vermilion Red**  
A82 metallic



○ **BMW Individual Aventurine Silver**  
S58 metallic



○ **BMW Individual Azurite Black**  
S34 metallic



○ **BMW Individual Pearl Silver**  
X01 metallic



○ **BMW Individual Ruby Black**  
X03 metallic



**Key** ● = Standard ○ = Optional

Please see the Paintwork, Interior Trims and Upholstery pricing tables or consult your BMW Dealer for further details.

These colour samples are designed to give you a first impression of paints and materials. Experience has shown however, that printed versions of paint, upholstery and trim colours cannot in all cases faithfully replicate the colour appearance of the originals. We recommend therefore that you consult your BMW Dealer on your preferred choices.



● **Dark Bamboo wood** 4AZ



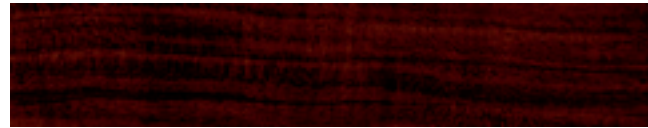
○ **Brushed Aluminium** 4AD



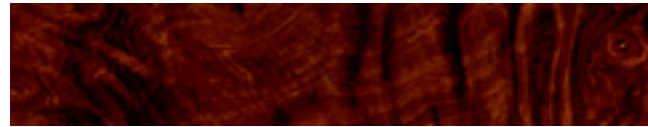
○ **Dark Ash wood** 4BN



○ **BMW Individual Amarone Walnut wood** XE1



○ **BMW Individual Red Brown Eucalyptus wood** XE3



○ **Black Flywheel Aluminium** 4B6



○ **BMW Individual Piano Black** XE7



**Key** ● = Standard ○ = Optional

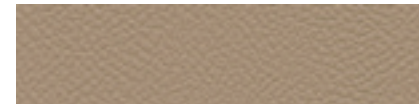
The xDrive50i features Dark Ash wood as standard.

Please see the Paintwork, Interior Trims and Upholstery pricing tables or consult your BMW Dealer for further details.

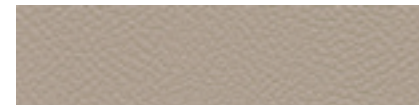
● **Twill cloth**  
**Anthracite** AVAT



○ **Nevada leather**  
**Beige** LUB4



○ **Nevada leather**  
**Oyster** LUCX



○ **Perforated Nevada leather**  
**Black** LVSW



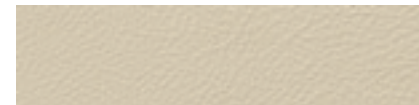
○ **BMW Individual Merino leather**  
**Champagne** ZACM



○ **BMW Individual Merino leather**  
**Syrah Blue** ZAF3



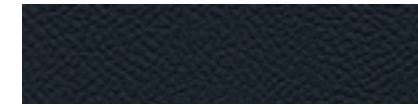
○ **BMW Individual Full Merino leather**  
**Platinum** ZBC8



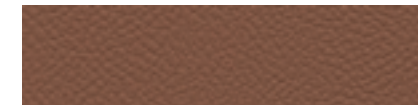
○ **Alcantara / leather**  
**Black** GHSW



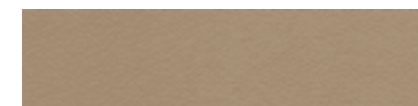
○ **Nevada leather**  
**Black** LUSW



○ **Nevada leather**  
**Saddle Brown** LUD3



○ **Exclusive Nappa leather**  
**Beige** NAB4



○ **BMW Individual Merino leather**  
**Criollo Brown** ZAP3



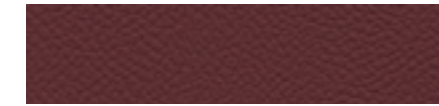
○ **BMW Individual Full Merino leather**  
**Champagne** ZBCM



○ **Alcantara / leather**  
**Chateau** GHCH



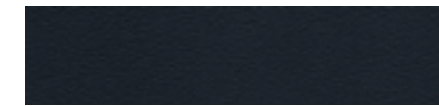
○ **Nevada leather**  
**Chateau** LUCH



○ **Perforated Nevada leather**  
**Beige** LVB4



○ **Exclusive Nappa leather**  
**Black** NASW



○ **BMW Individual Merino leather**  
**Slate** ZAP1



○ **BMW Individual Full Merino leather**  
**Criollo Brown** ZBP3



**Key** ● = Standard ○ = Optional

The xDrive50i features Nevada leather upholstery as standard.

Please see the Paintwork, Interior Trims and Upholstery pricing tables or consult your BMW Dealer for further details.

Model	Upholstery	Upholstery colour	Interior colour	Standard seats	Comfort seats	Sport seats	Upholstery code	Metallic								BMW Individual metallic			Non-metallic				
								Black Sapphire	Deep Sea Blue	Mineral Silver	Monaco Blue	Space Grey	Tasman	Titanium Silver	Vermilion Red	Aventurine Silver	Azurite Black	Pearl Silver	Ruby Black	Alpine White	Jet Black		
								475	A76	A14	A35	A52	A81	354	A82	S58	S34	X01	X03	300	668		
Standard: Six-cylinder models	Twill cloth	Anthracite	Black	●	-	-	AVAT	●	●	●	●	●	●	●	●	●	●	●	●	●	●	●	
Option: All	Alcantara / leather	Black	Black	-	-	●	GHSW	●	●	●	●	●	●	●	●	●	●	●	●	●	●	●	
		Chateau	Black	-	-	●	GHCH	●	●	●	●	●	●	●	●	●	●	●	●	●	●	●	
Standard: xDrive50i Option: Six-cylinder models	Nevada leather	Beige	Beige	●	●	●	LUB4	●	●	●	●	●	●	●	●	●	●	●	●	●	●	●	
		Black	Black	●	●	●	LUSW	●	●	●	●	●	●	●	●	●	●	●	●	●	●	●	
		Chateau	Black	-	●	●	LUCH	●	●	●	●	●	●	●	●	●	●	●	●	●	●	●	●
		Oyster	Black	●	●	●	LUCX	●	●	●	●	●	●	●	●	●	●	●	●	●	●	●	●
		Saddle Brown	Black	-	●	●	LUD3	●	●	●	●	●	●	●	●	●	●	●	●	●	●	●	●
Option: All	Perforated Nevada leather	Beige	Beige	-	●	-	LVB4	●	●	●	●	●	●	●	●	●	●	●	●	●	●	●	
		Black	Black	-	●	-	LVSW	●	●	●	●	●	●	●	●	●	●	●	●	●	●	●	
Option: All	Exclusive Nappa leather	Beige	Beige	-	●	-	NAB4	●	●	●	●	●	●	●	●	●	●	●	●	●	●	●	
		Black	Black	-	●	-	NASW	●	●	●	●	●	●	●	●	●	●	●	●	●	●	●	
Option: All	BMW Individual Merino leather	Champagne	Black	●	●	●	ZACM	●	●	●	●	●	●	●	●	●	●	●	●	●	●	●	
		Criollo Brown	Black	●	●	●	ZAP3	●	●	●	●	●	●	●	●	●	●	●	●	●	●	●	
		Slate	Black	●	●	●	ZAP1	●	●	●	●	●	●	●	●	●	●	●	●	●	●	●	●
		Syrah Blue	Black	●	●	●	ZAF3	●	●	●	●	●	●	●	●	●	●	●	●	●	●	●	●
Option: All	BMW Individual Full Merino leather	Champagne	Black	●	●	●	ZBCM	●	●	●	●	●	●	●	●	●	●	●	●	●	●	●	
		Criollo Brown	Black	●	●	●	ZBP3	●	●	●	●	●	●	●	●	●	●	●	●	●	●	●	●
		Platinum	Black	●	●	●	ZBC8	●	●	●	●	●	●	●	●	●	●	●	●	●	●	●	●

**Key** ● = Available - = Not available

The above table shows all available exterior and upholstery colour combinations. To view colour samples please consult your local BMW Dealer who will be happy to assist you with your choices. Alternatively, further combination details can be found on the 'Build your BMW' section of the www.bmw.co.uk website.

Model	Upholstery	Upholstery colour	Interior colour	Upholstery Code	All six-cylinder models							xDrive50i							
					Interior trim				BMW Individual Interior trim			Interior trim				BMW Individual Interior trim			
					Brushed Aluminium	Dark Bamboo wood	Dark Ash wood	Black Flywheel Aluminium	Amarone Walnut wood	Red Brown Eucalyptus wood	Piano Black	Brushed Aluminium	Dark Bamboo wood	Dark Ash wood	Black Flywheel Aluminium	Amarone Walnut wood	Red Brown Eucalyptus wood	Piano Black	
					4AD	4AZ	4BN	4B6	XE1	XE3	XE7	4AD	4AZ	4BN	4B6	XE1	XE3	XE7	
Standard: Six-cylinder models	Twill cloth	Anthracite	Black	AVAT	◇	●	◇	◇	○	○	○	-	-	-	-	-	-	-	-
Option: All	Alcantara / leather	Chateau	Black	GHCH	◇	●	◇	◇	○	○	○	◇	◇	●	◇	○	○	○	○
		Black	Black	GHSW	◇	●	◇	◇	○	○	○	◇	◇	●	◇	○	○	○	○
Standard: xDrive50i Option: Six-cylinder models	Nevada leather	Beige	Beige	LUB4	◇	●	◇	◇	○	○	○	◇	◇	●	◇	○	○	○	○
		Black	Black	LUSW	◇	●	◇	◇	○	○	○	◇	◇	●	◇	○	○	○	○
		Chateau	Black	LUCH	◇	●	◇	◇	○	○	○	◇	◇	●	◇	○	○	○	○
		Oyster	Black	LUCX	◇	●	◇	◇	○	○	○	◇	◇	●	◇	○	○	○	○
		Saddle Brown	Black	LUD3	◇	●	◇	◇	○	○	○	◇	◇	●	◇	○	○	○	○
		Perforated Nevada leather	Beige	Beige	LVB4	◇	●	◇	◇	○	○	○	◇	◇	●	◇	○	○	○
Option: All	Perforated Nevada leather	Black	Black	LVSW	◇	●	◇	◇	○	○	○	◇	◇	●	◇	○	○	○	○
		Exclusive Nappa leather	Beige	Beige	NAB4	◇	●	◇	◇	○	○	○	◇	◇	●	◇	○	○	○
Option: All	Exclusive Nappa leather	Black	Black	NASW	◇	●	◇	◇	○	○	○	◇	◇	●	◇	○	○	○	○
		BMW Individual Merino leather	Champagne	Black	ZACM	◇	●	◇	◇	○	○	○	◇	◇	●	◇	○	○	○
Criollo Brown	Black		ZAP3	◇	●	◇	◇	○	○	○	◇	◇	●	◇	○	○	○	○	
Slate	Black		ZAP1	◇	●	◇	◇	○	○	○	◇	◇	●	◇	○	○	○	○	
Syrah Blue	Black		ZAF3	◇	●	◇	◇	○	○	○	◇	◇	●	◇	○	○	○	○	
Option: All	BMW Individual Full Merino leather	Champagne	Black	ZBCM	◇	●	◇	◇	○	○	○	◇	◇	●	◇	○	○	○	○
		Criollo Brown	Black	ZBP3	◇	●	◇	◇	○	○	○	◇	◇	●	◇	○	○	○	○
		Platinum	Black	ZBC8	◇	●	◇	◇	○	○	○	◇	◇	●	◇	○	○	○	○

**Key** ● = Standard interior trim ◇ = Interior trim available at no cost ○ = Interior trim available at extra cost  
- = Not available

The above table shows all available trim and upholstery colour combinations. To view colour samples please consult your local BMW Dealer who will be happy to assist you with your choices. Alternatively, further combination details can be found on the 'Build your BMW' section of the www.bmw.co.uk website.



	Carpet	Floor mats	Dashboard		Seats		Doors		
			Lower	Upper	Seat back	Seat facing	Door insert	Door casing	Door armrest

**Twill cloth upholstery**

<b>Anthracite</b>	Anthracite	Anthracite	Black	Black	Black	Anthracite	Anthracite	Black	Anthracite
-------------------	------------	------------	-------	-------	-------	------------	------------	-------	------------

**Alcantara/leather upholstery**

<b>Black</b>	Anthracite	Anthracite	Black	Black	Black	Black	Black	Black	Black
<b>Chateau</b>	Anthracite	Anthracite	Black	Black	Black	Chateau	Black	Black	Black

**Nevada leather upholstery**

<b>Beige</b>	Savanna Beige	Savanna Beige	Savanna Beige	Black	Savanna Beige	Savanna Beige	Savanna Beige	Savanna Beige	Savanna Beige
<b>Black</b>	Anthracite	Anthracite	Black	Black	Black	Black	Black	Black	Black
<b>Chateau</b>	Anthracite	Anthracite	Black	Black	Black	Chateau	Chateau	Black	Chateau
<b>Oyster</b>	Anthracite	Anthracite	Black	Black	Black	Oyster	Oyster	Black	Oyster
<b>Saddle Brown</b>	Anthracite	Anthracite	Black	Black	Black	Saddle Brown	Saddle Brown	Black	Saddle Brown

**Perforated Nevada leather upholstery**

<b>Beige</b>	Savanna Beige	Savanna Beige	Savanna Beige	Black	Savanna Beige	Savanna Beige	Savanna Beige	Savanna Beige	Savanna Beige
<b>Black</b>	Anthracite	Anthracite	Black	Black	Black	Black	Black	Black	Black

**Exclusive Nappa leather upholstery**

<b>Beige</b>	Savanna Beige	Savanna Beige	Savanna Beige	Black	Savanna Beige	Savanna Beige	Savanna Beige	Savanna Beige	Savanna Beige
<b>Black</b>	Anthracite	Anthracite	Black	Black	Black	Black	Black	Black	Black

**BMW Individual Merino leather upholstery**

<b>Champagne</b>	Anthracite	Anthracite	Black	Black	Champagne	Champagne	Champagne	Black	Champagne
<b>Criollo Brown</b>	Anthracite	Anthracite	Black	Black	Criollo Brown	Criollo Brown	Criollo Brown	Black	Criollo Brown
<b>Slate</b>	Anthracite	Anthracite	Black	Black	Slate	Slate	Slate	Black	Slate
<b>Syrah Blue</b>	Anthracite	Anthracite	Black	Black	Syrah Blue	Syrah Blue	Syrah Blue	Black	Syrah Blue

**BMW Individual Full Merino leather upholstery**

<b>Champagne</b>	Anthracite	Anthracite	Black	Black	Champagne	Champagne	Champagne	Black	Champagne
<b>Criollo Brown</b>	Anthracite	Anthracite	Black	Black	Criollo Brown	Criollo Brown	Criollo Brown	Black	Criollo Brown
<b>Platinum</b>	Anthracite	Anthracite	Black	Black	Platinum	Platinum	Platinum	Black	Platinum

		<b>Star-spoke style 232</b>	<b>V-spoke style 257</b>	<b>BMW Individual V-spoke style 265#</b>
<b>Wheel size</b>	Front / rear	9 J x 19	9 J x 19	9 J x 19 / 10 J x 19
<b>Tyre size</b>	Front / rear	255/50 R19	255/50 R19	255/50 R19 / 285/45 R19
	Option code	2SG	2KR	2MW
				
<b>xDrive35i, xDrive30d, xDrive35d</b>		●	£310	£720 / £135*
<b>xDrive50i</b>		-	●	£410 / £135*

		<b>Star-spoke style 258</b>	<b>Y-spoke style 214</b>	<b>Star-spoke style 259</b>
<b>Wheel size</b>	Front / rear	9 J x 19 / 10 J x 19	10 J x 20 / 11 J x 20	10 J x 20 / 11 J x 20
<b>Tyre size</b>	Front / rear	255/50 R19 / 285/45 R19	275/40 R20 / 315/35 R20	275/40 R20 / 315/35 R20
	Option code	2SH	2LE	2SK
				
<b>All models</b>		●**	£875***	£875***

**Key**

- = Standard   £ = Optional   - = Not available
- \* Optional price in conjunction with 330, dynamic package
- \*\* Standard only where 330, dynamic package is specified
- \*\*\* Optional only where 330, dynamic package is specified
- # Only with upholsteries ZA / ZB or BMW Individual metallic paintwork
- Snow chains cannot be fitted to these wheels



**The most exclusive way to drive a BMW**

The higher your standards, the less room there is for compromise. For drivers with the most exacting standards BMW Individual offers a range of stunning and perfectly-crafted materials to ensure that the expression of individuality has never felt so effortless.

A BMW Individual paint finish is more than just a colour, each has its own characteristic brilliance and complexity. Five layers deep, the depth of colour is more sophisticated than the regular metallic paints thanks to special pigmentation. Xirallic or Titanium Dioxide pigments create an iridescent effect which gives the colours an unmistakable brilliance in the light.

Inside, the level of exclusivity can be continued with the distinctive yet subtle tones of BMW Individual Merino leather. A painstaking refinement process ensures that the leather is kept soft and supple, retaining a unique feel throughout its life as well as meeting the practical demands of a luxury car. And just to complete the interior, you can choose from the hand-picked wood trims that ensure the perfect grain every time.



Let yourself be inspired with BMW Individual.



	xDrive35i	xDrive50i	xDrive30d	xDrive35d	Price
--	-----------	-----------	-----------	-----------	-------

**BMW EfficientDynamics**

<b>Active Aerodynamics</b>	●	●	●	●	<b>std</b>
<b>Brake Energy Regeneration</b>	●	●	●	●	<b>std</b>
<b>High-precision direct injection</b>	●	●	-	-	<b>std</b>

Certain BMW EfficientDynamics features may be excluded depending on the optional equipment chosen. Your BMW Dealer will be pleased to provide you with more information.

**Wheels and chassis**

<b>Active Steering</b> Electro-mechanical system with variable ratio depending on road speed and yaw angle – provides maximum response with minimal steering wheel movement during low speed manoeuvres and a seamless transition to less response at high speeds for comfort and stability. Includes Servotronic, which provides comfortable effort at the wheel at all road speeds and minimum effort at parking speeds. The Active Aerodynamics element of BMW EfficientDynamics will be removed when this option is specified.	217	○	○	○	○	<b>£890</b>
<b>Adaptive Drive</b> Includes Electronic Damper Control and Dynamic Drive, to maximise stability and comfort through reduced body roll in all conditions. Includes two driver-selectable settings: Normal / Sport. The Active Aerodynamics element of BMW EfficientDynamics will be removed when this option is specified.	2VA	○	○	○	○	<b>£2,250</b>
<b>Self-levelling air suspension, rear</b> Air springs replace steel springs on the rear axle, to ensure vehicle ride height remains level under loaded conditions. Increases payload from 600kg to 650kg.	220	○	●	○	○	<b>£545</b>

**Safety and technology**

<b>Adaptive headlights</b> Headlight aim follows road ahead through a link with steering angle and yaw angle. Deactivated in reverse gear or when applying steering lock whilst stationary, to prevent dazzling oncoming traffic. Includes turning lights in the front foglamps activated via steering angle.	524	○	○	○	○	<b>£370</b>
--	-----	---	---	---	---	-------------

**Key**      ● = Standard    ○ = Optional    - = Not available

		xDrive35i	xDrive50i	xDrive30d	xDrive35d	Price
<b>Safety and technology (cont.)</b>						
<b>Head-up Display (HUD)</b> Projects important information such as current speed, cruise control functions and check control data directly into the driver's field of vision. Direction arrows from 609, BMW Professional Navigation system can be displayed. Deletes grey shade band fitted as standard to top of windscreen.	610	○	○	○	○	<b>£920</b>
<b>High-beam Assistant</b> Automatically switches between low and high beam when there is oncoming traffic / changing light conditions. Not with 4NA.	5AC	○	○	○	○	<b>£95</b>
<b>Reversing Assist camera</b> Activated automatically with Park Distance Control (PDC) when reverse gear is engaged, or by manually pressing the parking assist button. Functions include: camera zoom, swivel, track lines and obstacle indication (and virtual camera panning when 609 is also specified), all displayed in the Control Display.	3AG	○	○	○	○	<b>£355</b>
<b>In conjunction with 609 / ZXW.</b>		○	○	○	○	<b>£290</b>
<b>Seats</b>						
<b>Comfort seats, front</b> For driver and front passenger – electrical adjustment of fore and aft position, height, tilt, thigh support, recline, side supports, lumbar support, variable shoulder support and headrests. Includes two programmable memory positions for driver's and passenger's seat, steering wheel and position of door mirrors. Includes automatic dipping of passenger door mirror upon selecting reverse gear, for kerbside parking. Not with AV / GH.	456	○	○	○	○	<b>£1,545</b>
			○			<b>£800</b>
<b>In conjunction with 330.</b>		○	○	○	○	<b>£405</b>
<b>Lumbar support, driver and front passenger</b> Four-way electrically adjustable for height and degree of support. Included in 456.	488	○	○	○	○	<b>£250</b>

**Key** Not with – these options are not available for ordering together / = Indicates 'or' ○ = Optional

		xDrive35i	xDrive50i	xDrive30d	xDrive35d	Price
<b>Seats (cont.)</b>						
<b>Oscillating seat base function</b> Allows relaxed seating and driving on longer journeys with reduced fatigue. Pelvis and lumbar vertebrae are mobilised by alternating cyclical up/down adjustment of the seat surface. Only with 456.	455	○	○	○	○	<b>£575</b>
<b>Seat adjustment – front, electric with driver memory</b> For driver and front passenger – electrical adjustment of fore and aft position, height, tilt, recline and head restraints' height. Includes two programmable memory positions for driver's seat, steering wheel and position of door mirrors. Includes automatic dipping of passenger door mirror upon selecting reverse gear, for kerbside parking. Included in 330 and 456.	459	○	●	○	○	<b>£755</b>
<b>Seat heating, front</b> Three thermostatically-controlled heat settings via separate switches for driver and front passenger. Included in 453.	494	○	○	○	○	<b>£295</b>
<b>Seat heating, rear</b> Two-stage heat settings via separate switches for left and right rear seats. Only with 494. Not with AV.	496	○	○	○	○	<b>£295</b>
<b>Seat ventilation, front</b> Ventilation of driver and front passenger seats via Perforated Nevada leather. Perforated Nevada leather extends to second row of seats, but without ventilation. Includes 494. Only with 456 and LV / ZA / ZB.	453	○	○	○	○	<b>£805</b>
<b>Sport seats, front</b> For driver and front passenger, with side bolsters for additional lateral support and manually adjustable thigh support. Included in 330. Only with 459. Not with AV / LV / NA.	481	○	○	○	○	<b>£390</b>

**Key** Only with – these options must be ordered together Not with – these options are not available for ordering together / = Indicates 'or' ● = Standard ○ = Optional



		xDrive35i	xDrive50i	xDrive30d	xDrive35d	Price
<b>Exterior equipment</b>						
<b>Comfort Access</b>	322	○	○	○	○	<b>£735</b>
Keyless unlocking, entry, ignition and locking, provided the remote key is on your person.						
<b>Exterior mirrors – folding, automatically dimming</b>	430	○	○	○	○	<b>£235</b>
Light-sensitive, fast-reacting dimming effect to exterior rear-view mirrors to reduce glare from following headlights. Exterior mirrors fold-in electrically to prevent damage when parked or negotiating narrow gaps – controlled from a button on the driver's door armrest.						
<b>Exterior trim, Matt Aluminium</b>	3MB	○	○	○	○	<b>£345</b>
Side window surrounds in Matt Aluminium finish.						
<b>In conjunction with 330.</b>		○	○	○	○	<b>£0</b>
<b>Exterior trim, High-gloss Shadowline</b>	760	○	○	○	○	<b>£345</b>
Side window surrounds in High-gloss black finish. Included in 330.						
<b>Model designation deletion</b>	320	○	○	○	○	<b>£0</b>
Deletes 'X6' badge from tailgate and engine variant badge from front doors.						
<b>Roof rails, Black</b>	386	○	○	○	○	<b>£205</b>
Twin longitudinal roof rails in matt black – designed to accept transverse bars and a range of storage equipment, all available from BMW Accessories.						
<b>Roof rails, Matt Silver</b>	3AS	○	○	○	○	<b>£265</b>
Twin longitudinal roof rails in anodised silver – designed to accept transverse bars and a range of storage equipment, all available from BMW Accessories.						
<b>Running boards, Aluminium</b>	328	○	○	○	○	<b>£230</b>
Side running boards – Brushed Aluminium finish with raised black rubber dot grip pattern.						
<b>Soft-close doors</b>	323	○	○	○	○	<b>£440</b>
Motorised latches for all four passenger doors allow silent and effortless closure, and eliminate possibility of incomplete closure.						

**Key** ○ = Optional

		xDrive35i	xDrive50i	xDrive30d	xDrive35d	Price
<b>Exterior equipment (cont.)</b>						
<b>Towbar, detachable</b>	235	○	○	○	○	<b>£600</b>
Detachable towbar with single 13-pin European electrical socket and adapter to convert to 7-pin. Additional wiring connectors maybe required depending on towing usage (available through Aftersales). Enables a braked trailer of 2.7 tonnes (xDrive35i, xDrive30d and xDrive35d) or 3.5 tonnes (xDrive50i) to be towed. Trailer stability control is included when this option is specified. Please refer to the X6 brochure for further details. The Active Aerodynamics element of BMW EfficientDynamics will be removed when this option is specified.						
<b>Towing capacity, increased</b>	233	○	–	○	○	<b>£60</b>
Increases towing capacity of a braked trailer from 2.7 tonnes to 3.5 tonnes. Only with 220 and 235.						
<b>Interior equipment</b>						
<b>Adaptive Fixing System</b>	4UP	○	○	○	○	<b>£85</b>
To secure luggage via a system of adjustable straps. Only with 493.						
<b>Air conditioning, automatic with four-zone control</b>	4NB	○	○	○	○	<b>£495</b>
In addition to standard automatic air conditioning with two-zone control, added functionality for rear passengers. Includes a rear compartment blower operated via a control panel located in the rear centre console and additional outlet vents in the footwells.						
<b>Auxiliary heating with remote control</b>	536	○	○	○	○	<b>£1,025</b>
Activated by a remote control device which has a range of approximately 300-700 m, the system ensures that the cabin is heated, engine is warm and the windows are defrosted. Functions on 30 minute cycles. Reduces wading depth to 250 mm.						

**Key** Only with – these options must be ordered together

○ = Optional – = Not available

		xDrive35i	xDrive50i	xDrive30d	xDrive35d	Price
<b>Interior equipment (cont.)</b>						
<b>Extended storage</b>	493	○	○	○	○	<b>£185</b>
Includes 12V socket in storage compartment underneath front centre armrest, two lashing rails with four lashing eyes in the luggage compartment floor and straps left / right on the luggage compartment walls.						
<b>Glass sunroof</b>	403	○	○	○	○	<b>£870</b>
With automatic integral wind deflector, sun protection via heat-reflecting glass and independently-sliding headliner panel. Dual-tilt function tilts the pane for ventilation, with headliner panel open or closed. Sliding function slides pane and headliner panel fully back inside roof cavity. One-touch action for both functions via roof mounted switch, and remote closing/opening of sliding feature via car key.						
<b>Headlining, Anthracite</b>	775	○	○	○	○	<b>£255</b>
Complete roof liner in Anthracite including A, B and upper C pillars and sun visors. Included in 330.						
<b>Instrument panel, BMW Individual Merino leather</b>	XT1	○	○	○	○	<b>£1,540</b>
Dashboard trimmed in BMW Individual leather with feature-stitched seams. Coverage extends to upper and lower dashboard sections, upper glovebox lid and all four upper door trims. Upper dashboard in two-tone effect, combining chosen BMW Individual Merino leather upholstery colour with Black. Lower dashboard trimmed in BMW Individual Merino leather to match upholstery colour. Only with ZA / ZB.						
<b>Instrument panel, leather</b>	4M5	○	○	○	○	<b>£1,340</b>
Dashboard trimmed in exclusive high-grade black leather with feature-stitched seams. Coverage extends to upper & lower dashboard sections, upper glovebox lid and all four upper door trims. Only with GH / LU / LV / NA.						
<b>Rear-view mirror with digital compass</b>	4NA	○	○	○	○	<b>£60</b>
LED compass readout indicating direction of travel, integrated into rear-view mirror. Not with 5AC.						

**Key** Only with – these options must be ordered together  
 Not with – these options are not available for ordering together  
 / = Indicates 'or'

○ = Optional

		xDrive35i	xDrive50i	xDrive30d	xDrive35d	Price
<b>Interior equipment (cont.)</b>						
<b>Sun protection glass</b>	761	○	○	○	○	<b>£290</b>
Darkened glass for all windows aft of the B pillar.						
<b>Sunblinds – rear side windows, manual</b>	417	○	○	○	○	<b>£170</b>
Manual blinds for windows and quarterlights on both rear passenger doors. Not with ZA / ZB.						
<b>Through-loading ski bag</b>	464	○	○	○	○	<b>£185</b>
Integrated pull-out ski bag behind rear centre armrest – removable for cleaning.						
<b>Universal remote control</b>	319	○	○	○	○	<b>£170</b>
Can replace up to three separate remote control devices for garage door openers, electric gate openers, or similar remote control systems eradicating the need to have loose remote control handsets inside the vehicle. Certain remote control devices may not be compatible. For further details, please visit <a href="http://www.homelink.com">www.homelink.com</a> .						
<b>Steering wheels</b>						
<b>BMW Individual leather insert for sport leather steering wheel</b>	XL2	○	○	○	○	<b>£470</b>
Steering wheel rim trimmed in exclusive Nappa leather with Merino leather insert to match your selected BMW Individual Merino leather. Only with ZA / ZB. Not with 248.						
<b>BMW Individual wood insert for sport leather steering wheel</b>	XL1	○	○	○	○	<b>£470</b>
Steering wheel rim trimmed in exclusive Nappa leather with wooden ring insert to match your selected BMW Individual interior trim. Only with XE1 / XE3 / XE7. Not with 248.						
<b>Steering wheel heating</b>	248	○	○	○	○	<b>£175</b>
Thermostatically-controlled steering wheel rim heating – activated via a switch on the multi-function steering wheel.						

**Key** Only with – these options must be ordered together  
 Not with – these options are not available for ordering together  
 / = Indicates 'or'

○ = Optional

	xDrive35i	xDrive50i	xDrive30d	xDrive35d	Price
<b>Audio and communication</b>					
<b>Bluetooth telephone audio connection</b> 6NF Additional connection point for the playback of music from a mobile phone with a built in music player. Please consult your BMW Dealer for details of compatible handsets and the availability of a cradle that will need to be purchased separately. Only with 644 / ZXW and 6FL.	<input type="radio"/>	<input type="radio"/>	<input type="radio"/>	<input type="radio"/>	<b>£70</b>
<b>Bluetooth telephone preparation</b> 644 Preparation for a mobile phone with Bluetooth interface. Please note that this does not include a handset or a phone cradle and these need to be purchased separately. Please consult your Dealer for details of compatible handsets or go to <a href="http://www.bmw.co.uk/bluetooth">www.bmw.co.uk/bluetooth</a> . Not with 609 / ZXW.	<input type="radio"/>	<input type="radio"/>	<input type="radio"/>	<input type="radio"/>	<b>£530</b>
<b>Bluetooth telephone preparation with telematics</b> 633 Preparation for a mobile phone with Bluetooth interface, with the addition of a pre-fitted telematic SIM card for the use of BMW ConnectedDrive services. When ordered in conjunction with 609, BMW Professional Navigation system 612, BMW ConnectedDrive – Assist and 616, BMW ConnectedDrive – Online included. Included in ZXW. Only with 609, 612 and 616.	<input type="radio"/>	<input type="radio"/>	<input type="radio"/>	<input type="radio"/>	<b>£530</b>
<b>BMW ConnectedDrive – Assist</b> 612 Telematics services with automatic and manual 999 emergency SOS call, BMW Breakdown Service, My Info with Google send to car function and Information Plus (location-based operator service). Includes subscription to services for three years (customer registration required to activate services). Automatically included with a Navigation system – 609, 616 BMW ConnectedDrive – Online and 633 Bluetooth telephone preparation with telematics. Included in ZXW. Only with 609, 616 and 633.	<input type="radio"/>	<input type="radio"/>	<input type="radio"/>	<input type="radio"/>	<b>£0</b>

**Key**

Only with – these options must be ordered together  
Not with – these options are not available for ordering together  
/ = Indicates 'or'

○ = Optional

	xDrive35i	xDrive50i	xDrive30d	xDrive35d	Price
<b>Audio and communication (cont.)</b>					
<b>BMW ConnectedDrive – Online</b> 616 WAP-based vehicle browser with access to the BMW Online portal. Services include news, with the ability to set up RSS news feeds, weather and the Google local search, a business listing search facility. Includes subscription to the services for three years (customer registration required to activate services). Please note function disabled when vehicle is in motion. Automatically included with a Navigation system – 609, 612 BMW ConnectedDrive – Assist and 633 Bluetooth telephone preparation with telematics. Included in ZXW. Only with 609, 612 and 633.	<input type="radio"/>	<input type="radio"/>	<input type="radio"/>	<input type="radio"/>	<b>£0</b>
<b>CD changer</b> 672 Six-CD auto-changer with single slot feed located in glove compartment. MP3/WMA playback capability. Included in ZXW.	<input type="radio"/>	<input type="radio"/>	<input type="radio"/>	<input type="radio"/>	<b>£300</b>
<b>DAB digital radio</b> 654 Enables reception of digital audio programmes.	<input type="radio"/>	<input type="radio"/>	<input type="radio"/>	<input type="radio"/>	<b>£305</b>
<b>DVD system, rear</b> 6FF Integrated DVD player and foldable 8" colour monitor in the centre console with full controls for rear passengers. Operation by remote control and compatible with infrared headphones (included, for two passengers), with sockets for wired headsets (not included) and external video equipment. Viewing of TV also possible in the rear, both stationary and on the move, in conjunction with 601, TV function.	<input type="radio"/>	<input type="radio"/>	<input type="radio"/>	<input type="radio"/>	<b>£1,435</b>
<b>Loudspeaker system – BMW Business</b> 676 12 speaker system including: – 2 x bass speakers below the front seats – 1 x mid-range and 1 x high-range speakers in each door trim panel – 1 x mid-range and 1 x high-range speakers in the instrument panel – Digital 7-channel amplifier with an output of 205W	<input type="radio"/>	<input type="radio"/>	<input type="radio"/>	<input type="radio"/>	<b>£395</b>

**Key**

Only with – these options must be ordered together

○ = Optional



		xDrive35i	xDrive50i	xDrive30d	xDrive35d	Price
<b>Audio and communication (cont.)</b>						
<b>Loudspeaker system – LOGIC7 Professional</b>	677	○	○	○	○	<b>£885</b>
16 speaker system including the following in addition to 676: – 1 x mid-range and 1 x high-range speakers in each D-pillar – 7 band equaliser – DSP control panel for simulation of programmed ‘audio environments’ – Digital 9-channel amplifier with an output of 600W						
<b>Navigation system – BMW Professional</b>	609	○	○	○	○	<b>£1,805</b>
Navigation system shown on an 8.8" colour display. DVD-based, including split-screen functionality that enables navigation and radio (or other functions) to be displayed simultaneously. Includes Traffic Messaging System (TMC). The colour display can depict map, arrow directions or both. If a telephone system is also required, please specify 612, 616 and 633, or ZXW. Included in ZXW. Not with 644.						
<b>TV function</b>	601	○	○	○	○	<b>£795</b>
Adding TV functionality to 609, BMW Professional Navigation system, providing analogue and digital broadcast. The TV can only be viewed when the car is stationary. Only with 609 / ZXW.						
<b>USB audio interface</b>	6FL	○	○	○	○	<b>£200</b>
USB audio interface for MP3 players or USB storage devices, integrated operation through iDrive. Please consult your BMW Dealer for details of compatibility. An additional adapter cable may be required.						
<b>Voice Control</b>	620	○	○	○	○	<b>£315</b>
For various (optional) telephone and navigation functions with notepad capability – enables voice control directly after activation of switch on multi-function steering wheel.						

**Key** Only with – these options must be ordered together  
Not with – these options are not available for ordering together  
/ = Indicates ‘or’

○ = Optional

		xDrive35i	xDrive50i	xDrive30d	xDrive35d	Price
<b>Paintwork, upholstery and trims</b>						
<b>Metallic paintwork</b>	met	●	●	●	●	<b>std</b>
<b>Non-metallic paintwork</b>	uni	○	○	○	○	<b>£0</b>
<b>BMW Individual metallic paintwork</b>	ind	○	○	○	○	<b>£850</b>
<b>Twill cloth upholstery</b>	AV	●	–	●	●	<b>std</b>
Not with 330 / 453 / 455 / 456 / 481 / 496.						
<b>Alcantara/leather upholstery</b>	GH	○	○	○	○	<b>£1,480</b>
With Alcantara to all four seat facings and matching leather to bolsters. Interior door panels are in Alcantara with all remaining coverage in leather, as per upholsteries LU / LV. Available in Black or Chateau. Only with 481.						
<b>In conjunction with 330.</b>		○	○	○	○	<b>£0</b>
<b>Nevada leather upholstery</b>	LU	○	●	○	○	<b>£1,480</b>
Coverage includes: – Seat facings – Head restraint facings – Front centre armrest – Door armrests Available in Chateau & Saddle Brown (only with 456 or 481) or Beige, Black, Oyster. Included in 330.						

**Key** Only with – these options must be ordered together  
Not with – these options are not available for ordering together  
/ = Indicates ‘or’

● = Standard ○ = Optional – = Not available

		xDrive35i	xDrive50i	xDrive30d	xDrive35d	Price
<b>Paintwork, upholstery and trims (cont.)</b>						
<b>Perforated Nevada leather upholstery</b>	LV	○		○	○	<b>£1,480</b>
Coverage includes:						
– Seat facings			○			<b>£0</b>
– Head restraint facings						
– Front centre armrest						
– Door armrests						
Available in Beige or Black. Only with 453 and 456.						
<b>In conjunction with 330.</b>		○	○	○	○	<b>£0</b>
<b>Exclusive Nappa leather upholstery</b>	NA	○		○	○	<b>£2,070</b>
Coverage includes:						
– Seat facings and sides			○			<b>£590</b>
– Head restraints						
– Door panel inserts						
– Front centre armrest						
– Door armrests						
– Front passenger’s door pull						
Available in Beige or Black. Only with 456.						
<b>In conjunction with 330.</b>		○	○	○	○	<b>£590</b>
<b>BMW Individual Merino leather upholstery</b>	ZA	○		○	○	<b>£2,460</b>
Upholstery in BMW Individual Merino leather, with coverage as per Nevada leather, plus:			○			<b>£985</b>
– Rear of seat backrests						
– Door pull handles						
Available in Champagne, Criollo Brown, Slate or Syrah Blue and contrasting Alcantara piping in Anthracite or Platinum. Only with 775 / 330. Not with 4M5.						
<b>In conjunction with 330.</b>		○	○	○	○	<b>£985</b>

**Key**

Only with – these options must be ordered together  
Not with – these options are not available for ordering together  
/ = Indicates ‘or’

○ = Optional

		xDrive35i	xDrive50i	xDrive30d	xDrive35d	Price
<b>Paintwork, upholstery and trims (cont.)</b>						
<b>BMW Individual Full Merino leather upholstery</b>	ZB	○		○	○	<b>£4,000</b>
Upholstery in BMW Individual Merino leather, with coverage as per Nevada leather, plus:			○			<b>£2,520</b>
– Rear of seat backrests						
– Door pull handles						
– Centre console						
– Complete door casings						
Available in Champagne, Criollo Brown or Platinum and contrasting Alcantara piping in Anthracite or Platinum. Only with 417 / 775 / 330 and 456 / 459 / 330. Not with 4M5 / 417.						
<b>In conjunction with 330.</b>		○	○	○	○	<b>£2,520</b>
<b>Interior trim, Brushed Aluminium</b>	4AD	○	○	○	○	<b>£0</b>
Brushed Aluminium trim to passenger side dashboard, centre console and each of the four doors. With Galvanic highlight trim finisher beneath the primary trim material.						
<b>Interior trim, Black Flywheel Aluminium</b>	4B6	○	○	○	○	<b>£0</b>
Black Flywheel Aluminium trim to passenger side dashboard, centre console and each of the four doors. With Galvanic highlight trim finisher beneath the primary trim material.						
<b>Interior trim, Dark Ash wood</b>	4BN	○	●	○	○	<b>£0</b>
Dark Ash trim to passenger side dashboard, centre console and each of the four doors. With Galvanic highlight trim finisher beneath the primary trim material.						

**Key**

Only with – these options must be ordered together  
Not with – these options are not available for ordering together  
/ = Indicates ‘or’

● = Standard ○ = Optional

		xDrive35i	xDrive50i	xDrive30d	xDrive35d	Price
<b>Paintwork, upholstery and trims (cont.)</b>						
<b>Interior trim, Dark Bamboo wood</b>	4AZ	●	○	●	●	£0
Dark Bamboo wood trim to passenger side dashboard, centre console and each of the four doors. With Galvanic highlight trim finisher beneath the primary trim material.						
<b>Interior trim, BMW Individual Amarone Walnut wood</b>	XE1	○	○	○	○	£450
Amarone Walnut trim to passenger side dashboard, centre console and each of the four doors. With Galvanic highlight trim finisher beneath the primary trim material.						
<b>Interior trim, BMW Individual Piano Black</b>	XE7	○	○	○	○	£450
Piano Black trim to passenger side dashboard, centre console and each of the four doors. With Galvanic highlight trim finisher beneath the primary trim material.						
<b>Interior trim, BMW Individual Red Brown Eucalyptus wood</b>	XE3	○	○	○	○	£450
Red Brown Eucalyptus trim to passenger side dashboard, centre console and each of the four doors. With Galvanic highlight trim finisher beneath the primary trim material.						

Please refer to colour upholstery and upholstery/trim combination tables for further information about paintwork, upholstery and trim options.

**Key** ● = Standard ○ = Optional

		xDrive35i	xDrive50i	xDrive30d	xDrive35d	Price
<b>Packages</b>						
<b>Dynamic package</b>	330	○	○	○	○	£3,160
Consisting of: – 2SH, 19" Light alloy wheels – Star-spoke style 258 – 459, Seat adjustment – front, electric with driver memory – 481, Sport seats, front – 760, Exterior trim, High-gloss Shadowline – 775, Headlining, Anthracite – LU/GH, Nevada leather or Alcantara/leather upholstery – Lower mesh grilles, below kidney grille and in bumper, in titanium						
<b>Media package</b>	ZXW	○	○	○	○	£2,025
Consisting of: – 609, BMW Professional Navigation System – 612, BMW ConnectedDrive – Assist – 616, BMW ConnectedDrive – Online – 633, Bluetooth telephone preparation with telematics – 672, CD changer						

**Key** ○ = Optional





	xDrive35i	xDrive50i	xDrive30d	xDrive35d	Price
<b>Options available from your dealer</b>					
<b>BMW Service Inclusive</b>	Covers the cost of labour and parts for all routine servicing for 5 years or 60,000 miles, whichever comes first. Cover includes: brake fluid, air filters, micro filters, fuel filter (diesel models only), spark plugs, oil filters, engine oil. Transferable to subsequent owners.				
5 years / 60,000 miles	○		○	○	<b>£995</b>
		○			<b>£1,150</b>
<b>BMW Service Inclusive Plus</b>	Covers the cost of labour, parts and lubricants for all routine servicing and maintenance for 5 years or 60,000 miles, whichever comes first. Cover includes: brake pads, brake discs, brake sensors, brake fluid, air filters, micro filters, fuel filter (diesel models only), spark plugs, oil filters, engine oil, clutch assembly (only if worn) and wiper blade rubbers. Transferable to subsequent owners.				
5 years / 60,000 miles	○		○	○	<b>£2,235</b>
		○			<b>£3,020</b>
<b>BMW Trackstar</b>	○	○	○	○	<b>£214.34*</b>
24-hour vehicle tracking device utilising GSM, GPS technology and a vehicle movement sensor. (Meets Thatcham Quality Accreditation – TQA.)					
<b>BMW Trackstar 5</b>	○	○	○	○	<b>£439.34*</b>
24-hour vehicle tracking device utilising GSM, GPS technology, a vehicle movement sensor and a driver authentication device. (Meets Thatcham Category 5 Accreditation – Cat 5.)					

**Key**

/ = Indicates 'or'

○ = Optional

\* = Prices exclude fitment or subscription. Please consult your BMW Dealer for further details.

## Services and Benefits.

### Warranties

Every BMW registered is protected by a Dealer Warranty, which provides cover for 3 years' unlimited mileage. In addition, every BMW is covered by an unlimited mileage, twelve years' anti-corrosion warranty and three years' paintwork warranty.

Full details of these warranties are available from your BMW Dealer and are provided in the BMW Warranty and Emergency Service Handbook.

### BMW Emergency Service

BMW Emergency Service is the only roadside and assistance programme designed specifically for BMW vehicles offering an exceptional range of benefits and services. It is available 24 hours a day, 7 days a week and utilises a dedicated fleet of BMW Approved Technicians, equipped with Genuine BMW Parts and tools, ensuring that you and your vehicle receive the best possible care in the event of any motoring emergency. This tailor-made programme has been specifically designed to meet the needs of BMW drivers travelling in the UK and Continental Europe giving complete reassurance and peace of mind. Every new BMW is covered for three years.



### BMW Magazine

Every new BMW customer receives a complimentary subscription to BMW Magazine. This lifestyle publication features all the latest news and developments from BMW, including interesting interviews, sporting news, travel experiences and art stories.

## Finance and Insurance from BMW.

### BMW Financial Services

Chances are, you've already decided on the BMW you want to drive. Now discover the perfect finance solution to get you behind the wheel. BMW Financial Services offers a range of tailor-made finance packages to suit you and your budget.

And to help you, at every BMW Dealership, there's a Financial Services Specialist – a dedicated expert who'll find the perfect solution for you. They'll talk you through the options and help you come to the right decision.

Our comprehensive range of finance and insurance products include:

- **BMW Select (Personal Contract Purchase)**
- **BMW Hire Purchase**
- **BMW Contract Hire**
- **BMW Car Insurance**
- **BMW Home Insurance**
- **BMW Travel Insurance**

For details of your local BMW Dealer, please call 0800 325600.

Further information on our finance products can be found at [www.bmw.co.uk](http://www.bmw.co.uk)

Finance is subject to status and available to over 18's in the UK only (excludes the Channel Islands). Guarantees and indemnities may be required. Finance is provided by BMW Financial Services, Europa House, Bartley Way, Hook, Hampshire, RG27 9UF.

### BMW Car Insurance

Driving a BMW shows that you refuse to compromise on the quality of your car so why should your car insurance be any different? Designed for you, BMW Car Insurance offers cover that can help give you peace of mind.

Call BMW Car Insurance today on 0870 0240 520.

Lines open 8am – 8pm Monday to Friday, 9am – 5pm Saturdays. Max call charge from a BT landline is 8p a minute. Calls from other networks may vary.

BMW Car Insurance is underwritten by UK Insurance Limited. The Wharf, Neville Street, Leeds, LS1 4AZ, which is authorised and regulated by The Financial Services Authority.

## BMW ConnectedDrive.

BMW ConnectedDrive provides telematic and online services that are fully integrated with your navigation and Bluetooth telephone system. The services provide you and your passengers access to key information from within the vehicle, helping you keep safe and in touch.



### Emergency 999 SOS call

The emergency SOS call provides a direct link to a 999 emergency call centre. This call can either be activated manually, or in extreme situations the sensors in the vehicle will automatically make the call and transmit your location to the emergency services. In either instance you can be assured that help can be despatched without delay.

### Breakdown call

Roadside breakdown assistance is never far away because with BMW ConnectedDrive your vehicle will have a direct link to the BMW Service Centre. This link automatically provides the operator with your vehicle details and position so that a BMW Approved Technician can be despatched quickly and easily.

### Information Plus

At the push of a button local information is available wherever you may be in the country, using the Information Plus service. The service is available 24 hours a day, seven days a week and connects you to an operator who will be able to quickly access the information you need. You can request places of interest, from hotels and restaurants to museums or historical attractions. The information is then sent to your car and can then be used in your navigation system to plan a route to your destination, or to make a call on your Bluetooth telephone.

### My Info

As a BMW ConnectedDrive customer you will be able to access an internet website from where you, or others, can send information to your vehicle. Multiple addresses and telephone numbers can be sent to your vehicle, they can then be transferred into your navigation system or your Bluetooth telephone. Using the My Info service you can also send residential addresses or business listings via Google Maps. When you have found a place of interest or entered the address in the map, there is a send-to-car function on the website, this will send the address and telephone number to your vehicle.

### Remote Services

Remote Services provides you with the facility to contact the BMW Service Centre, who can remotely lock or unlock your vehicle. You will be required to activate your vehicle and set-up your own personal security questions within the ConnectedDrive website. After you have set-up the service, should you be in a situation where you have accidentally locked your keys in the car, the BMW Service Centre will be able to unlock your vehicle. Likewise, if you are not near your car and you cannot remember if you have locked the car, our call centre can remotely lock the vehicle for you.

### Extended News and Weather

BMW ConnectedDrive provides you with access to a WAP-based browser which connects to the BMW Online portal. The portal displays the latest Weather forecast and Extended News stories from categories such as World, Business and Sports News.

### My News

From your BMW Online portal, My News provides you with a selection of the latest news from internet sources, which can be defined as you desire. Through these RSS news feeds, titles and short summaries of news items from websites will be visible directly in the Control Display of your BMW. This gives you quick access to your favoured news topics and enables you to keep in touch.

### Google local search

With the Google local search you can access location based information via Google Maps, from the BMW Online portal in the car. Information such as hotels and restaurants can be requested at the current vehicle location, navigation destination or at any other specific location. The content is taken directly from live Google Maps information. Search results appear in a list format, the addresses can be transferred into the navigation system or the telephone number can be transferred to a Bluetooth telephone. Some search results contain additional information such as opening hours, car park details or pictures of the location.

### BMW ConnectedDrive website

As a BMW ConnectedDrive customer you will have access to an internet website with a route planner, traffic information and text message service. The website provides a link to your vehicle by allowing you to send information to your car. You can also modify your news links for My News, or set-up Remote Services for your car. Additional services such as profile settings and a handy help page are also featured.

A three year BMW ConnectedDrive subscription is included with every vehicle equipped with an optional Navigation system – Professional (609) and Bluetooth telephone preparation with telematics (633) or with Media package (ZXW). In conjunction with Bluetooth telephone preparation with telematics (633), unlimited use of BMW ConnectedDrive is included within the subscription.

In the UK ConnectedDrive services require a connection to a UK mobile telephone network. Services are not available on the Isle of Man or the Channel Islands. Some services are available in other European countries, refer to your BMW dealer for more details. Terms and conditions apply.

## Aftersales.

### BMW Service Inclusive

Wouldn't it be good to know all your servicing costs in advance? Well, that's exactly what BMW Service Inclusive provides. Once you have decided which of the options best suits your needs, you can simply relax, and look forward to enjoying care-free driving, courtesy of BMW Service Inclusive.

BMW Service Inclusive lasts for 5 years or 60,000 miles (whichever occurs sooner), so all you need to do is decide which option suits you best. BMW Service Inclusive – covering all your vehicle's servicing requirements or BMW Service Inclusive Plus which in addition to servicing also covers maintenance items such as brakes pads, brake discs and windscreen wipers.

Furthermore, BMW Service Inclusive is transferable to subsequent owners within the time and mileage period, enhancing the resale value of your car.\*

\*For further information please contact your local BMW Dealer.

### Genuine BMW Accessories

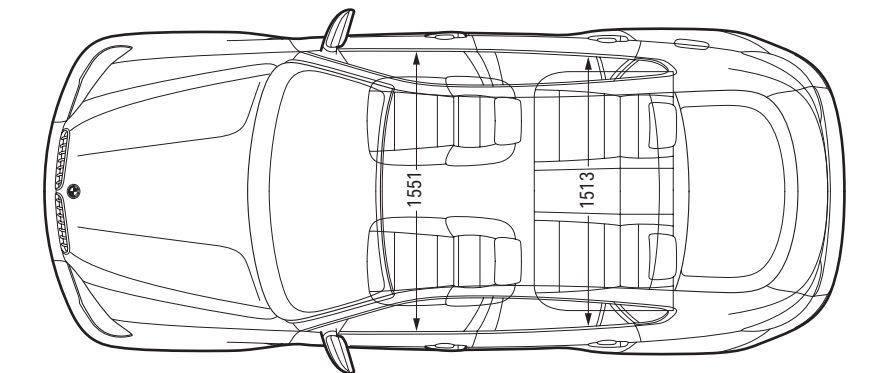
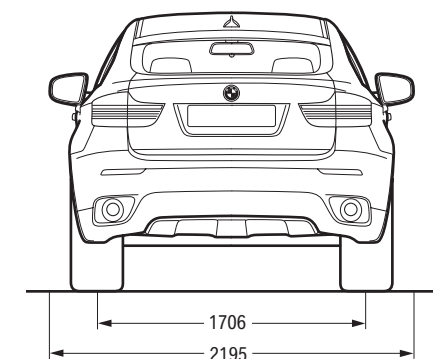
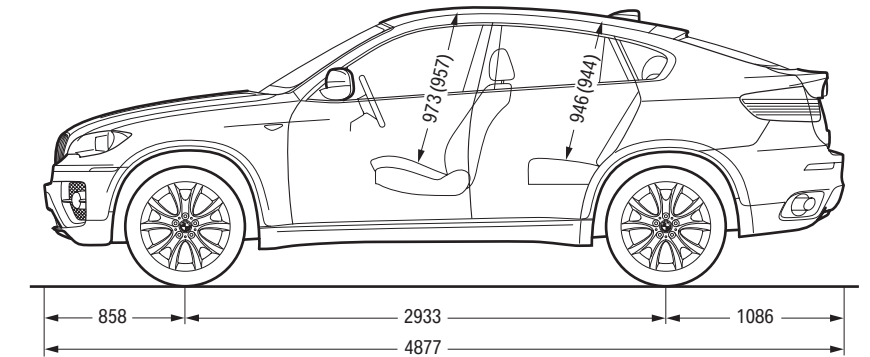
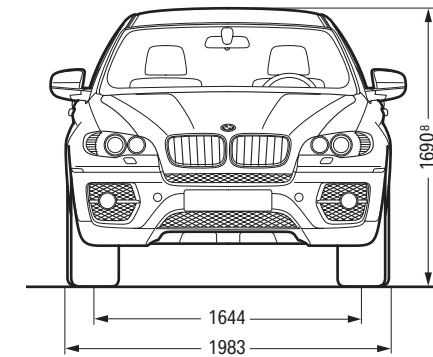
Your choice of car says a great deal about you. Genuine BMW Accessories allow you to make that statement even more personal. There's endless scope for personalising your BMW to suit your needs and style, with a wide range of accessories from exterior and interior styling to mobile communications, all of which have been designed to the same exacting standards as your vehicle. For further details on Genuine BMW Accessories for your BMW, please contact your local BMW Dealer.

### BMW Lifestyle

The BMW Lifestyle Collection reflects the exclusivity and versatility of BMW design. This innovative product range demonstrates the highest quality in both materials and functionality. The extensive product portfolio includes clothing and accessories items such as miniatures, keyrings, leather goods, mountain bikes, kids' mobility products, golf accessories, motorsport and yachting products.

## BMW X6

	xDrive35i	xDrive50i	xDrive30d	xDrive35d
<b>Engine and performance</b>				
<b>Configuration</b>	In line / 6 / 4	V / 8 / 4	In line / 6 / 4	In line / 6 / 4
<b>Displacement</b> [cc]	2979	4395	2993	2993
<b>Stroke / Bore</b> [mm]	89.6 / 84.0	88.3 / 89.0	90.0 / 84.0	90.0 / 84.0
<b>Power output</b> [hp]	306	408	235	286
<b>Torque output</b> [Nm]	400	600	520	580
<b>Top speed</b> [mph]	149	155 <sup>6</sup>	130 (137 <sup>7</sup> )	147
<b>0-62 mph<sup>1</sup></b> [secs]	6.7	5.4	8.0	6.9
<b>Fuel consumption and emissions<sup>2,3</sup></b>				
<b>Urban</b> [mpg / l/100km]	19.0 / 14.9	16.0 / 17.7	27.2 / 10.4	26.9 / 10.5
<b>Extra-Urban</b> [mpg / l/100km]	31.7 / 8.9	28.5 / 9.9	40.4 / 7.0	39.8 / 7.1
<b>Combined</b> [mpg / l/100km]	25.4 / 11.1	22.1 / 12.8	34.4 / 8.2	34.0 / 8.3
<b>CO<sub>2</sub> emissions</b> [g/km]	259	299	217	220
<b>Emissions classification</b>	EU5	EU5	EU4	EU4
<b>Additional technical data</b>				
<b>Luggage capacity</b> [l]	570 - 1450	570 - 1450	570 - 1450	570 - 1450
<b>Fuel tank capacity</b> [l]	85	85	85	85
<b>Curb weight: DIN/EU<sup>4</sup></b> [kg]	2070 / 2145	2190 / 2265	2075 / 2150	2110 / 2185
<b>Rear axle load ratio DIN</b> [%]	49.4	46.9	49.1	48.7
<b>Gross weight / Payload</b> [kg]	2670 / 600	2840 / 650	2675 / 600	2710 / 600
<b>Permitted axle limit front/rear</b> [kg]	1280 / 1470	1400 / 1520	1280 / 1470	1320 / 1480
<b>Trailer load braked<sup>5</sup></b> [kg]	2700 / 2700	3500 / 3500	2700 / 2700	2700 / 2700
<b>Trailer load unbraked<sup>5</sup></b> [kg]	750	750	750	750
<b>Roof load limit</b> [kg]	100	100	100	100
<b>Drag coefficient</b> [cd]	0.34	0.36	0.33	0.34



All dimensions in millimetres.

<sup>1</sup> 0-62 mph is equal to 0-100 km/h.

<sup>2</sup> The petrol engines are designed for RON 98 grade fuel. They can be run on fuel down to RON 91 (for xDrive35i RON 95-98) with a decrease in power.

<sup>3</sup> The petrol engines meet the EU5 emissions standard, the diesel units comply with the EU4 standard (N1- G3). Fuel consumption is determined in accordance with the ECE driving cycle made up of approximately one third urban and two thirds extra-urban driving (based on the distance covered). CO<sub>2</sub> emissions are measured in addition to fuel consumption. Fuel consumption is determined for vehicles with standard equipment. Optional equipment (such as wider tyres) can have a significant impact on fuel consumption and on performance.

<sup>4</sup> The figure quoted includes a 90 per cent tank filling, 68 kg for the driver and 7 kg for luggage. Unladen weight applies to vehicles with standard equipment. Optional equipment may increase this figure.

<sup>5</sup> The overall weight of the trailer may not exceed the maximum permissible trailer load plus the maximum permissible towbar download. Based at 12% / 8%.

<sup>6</sup> Electronically limited.

<sup>7</sup> In conjunction with 330 dynamic package.

<sup>8</sup> Height of car with optional roof rails: 1,699 mm.

Measurements in ( ) apply to vehicles fitted with the optional glass sunroof.

**More about BMW**

Tel. 0800 325 600  
www.bmw.co.uk



**The Ultimate  
Driving Machine**



This price list is printed on paper which has  
been sourced from sustainably managed forests.