

The new BMW Z4



The Ultimate
Driving Machine

Price List



BMW EfficientDynamics
Less emissions. More driving pleasure.



From March 2009

Contents

- 4 **BMW EfficientDynamics**
- 6 **Technical Introduction**
- 7 **Pricing**
- 8 **Standard Equipment**
- 11 **Paintwork**
- 12 **Interior Trim**
- 13 **Upholstery**
- 14 **Pure White design package**
- 15 **Paintwork and Upholstery Combinations**
- 16 **Interior Trim and Upholstery Combinations**
- 17 **Colour Linked Parts**
- 18 **Wheels and Tyres**
- 19 **Optional Equipment**
- 31 **More about BMW**
- 34 **Technical Data**



This is how much has gone in.

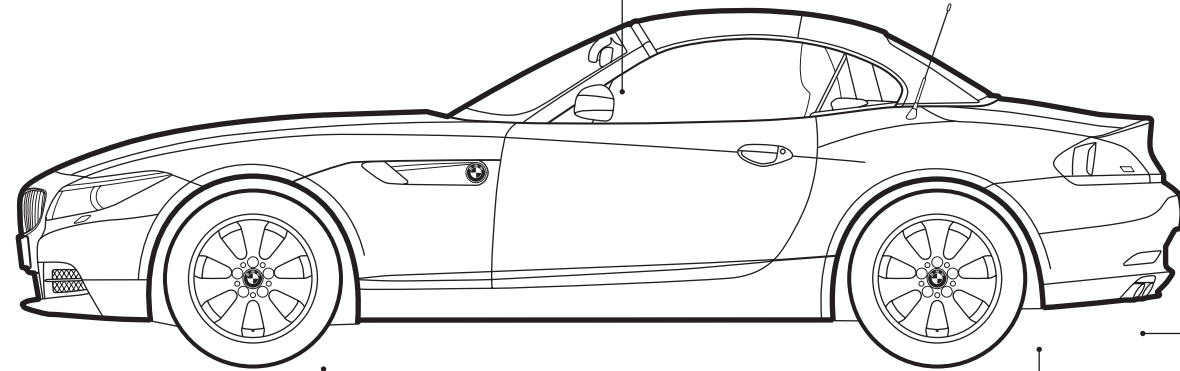
The pleasure you get from driving a BMW is the result of fine engineering – always setting the benchmark because it is based on much more than engine power. This is the thinking behind BMW's programme of EfficientDynamics. This programme of technologies helps to make positive changes in reducing CO₂ emissions and improving fuel consumption whilst enhancing driving dynamics. Changes for both today and tomorrow. Today's solutions include Brake Energy Regeneration, an innovative process for harnessing energy previously lost. As for tomorrow – even more advanced technologies to improve emissions and fuel consumption as we move towards BMW's vision of CleanEnergy and the use of hydrogen-powered engines. Nothing lost, but much gained. BMW EfficientDynamics: pushing the boundaries in terms of performance and dynamism – without compromise.

Optimum Shift Indicator

Timely gear shifts are one of the most effective and easiest ways to save fuel. This is where Optimum Shift Indicator in conjunction with six-speed manual transmission comes in. It shows the driver the most fuel-efficient gear to select for any driving situation. (Only with six-speed manual transmission.)

Lightweight Engineering

Advanced lightweight materials reduce the overall weight of the vehicle, enhancing driving dynamics and improving fuel economy. (Standard on all models.)



Electric Power Steering

Unlike conventional, hydraulic steering systems, the electrical steering only uses energy during actual steering. When the steering wheel position is constant – for example at high speed along the motorway – the electronic motor is inactive. (Standard on all models.)

Brake Energy Regeneration

The alternator disengages automatically when the battery is fully charged, only re-engaging when the battery needs charging. In addition, the system engages automatically when the car's brakes are applied or when coasting, to recycle otherwise wasted energy. (Standard on all models.)

And this is what comes out.

BMW already offers 81 models* with CO₂ emissions of 140 g/km or less. But that's just for starters. We're carrying on our research – in the quest to bring you more driving pleasure and less consumption.

* In the UK and Republic of Ireland.

Certain BMW EfficientDynamics features may be excluded depending on the optional equipment chosen. Your BMW Dealer will be pleased to provide you with more information.

BMW Z4 price list insert

Valid from 1 May 2009

Model	Power output (hp)	0-62 mph (secs)	Combined fuel consumption (mpg)	CO ₂ emissions (g/km)	VED band	Insurance group
Petrol						
Z4 sDrive23i	204	6.6 (7.3)	33.2 (34.4)	199 (192)	J	17 / 40
Z4 sDrive30i	258	5.8 (6.1)	33.2 (34.0)	199 (195)	J	17 / 42
Z4 sDrive35i	306	5.2 (5.1)	30.1 (31.4)	219 (210)	K	18 / 43

Basic price (excluding VAT)	VAT	Retail price (including VAT)	On the road price	P11d value	BIK tax rate (2009 / 2010)
£24,086.96	£3,613.04	£27,700	£28,650	£28,380	27% (26%)
£27,578.26	£4,136.74	£31,715	£32,665	£32,395	27% (27%)
£31,404.35	£4,710.65	£36,115	£37,065	£36,795	31% (30%)

Post-budget pricing

This insert is designed to be used with the BMW Z4 Price List and details revised pricing information following the 2009 Government Budget announcement concerning changes to Vehicle Excise Duty bands and rates. The pricing found here is therefore valid from 1 May 2009 onwards.

Full technical data and details of standard and optional equipment can be found in the main Price List.

Prices and specifications

BMW (UK) Limited reserves the right to alter prices and specifications without notice. BMW (UK) Limited has made every effort to ensure the accuracy of information but does not accept liability for any errors or omissions.

Key Figures in (brackets) apply to cars with six-speed sport automatic transmission (or seven-speed Double Clutch Transmission (DCT) on Z4 sDrive35i). Insurance group figures refer to – 20 Group Rating System / 50 Group Rating System.

VED rates

Annual VED rates for brand new cars are determined by their CO₂ emission figure.

BMW Z4 models fall into one of the two categories listed below:

CO ₂ emissions g/km	Band J 186-200	Band K 201-225
Vehicle Excise Duty	£215	£215

On the road price

The recommended on the road price includes:

Delivery and BMW Emergency Service	£655
Number plates	£25
Vehicle first registration fee	£55
Vehicle Excise Duty (12 months)	See left



Z4 sDrive23i

Engine

- Six-cylinder in-line petrol engine with Double-VANOS and VALVETRONIC
- EU5 exhaust emissions
- Oil sensor for level and grade

Transmission

- Six-speed manual transmission

Wheels and chassis

- 17" light alloy Star-spoke style 290 wheels
- Double-joint spring-strut front axle
- Drive Dynamic Control
- Electric Power Steering (EPS) with Servotronic
- Electro-mechanical parking brake

Safety and technology

- Alarm system (Thatcham 1) with remote control and engine immobiliser
- Brake discs – ventilated, front and rear
- Brake Force Display
- Brake lights and indicators with LED technology
- Child seat ISOFIX attachment
- Crash sensor activating central locking release, hazard warning lights, fuel cut-off and interior lighting
- Deformation zones – front and rear with door reinforcements and bumpers that regenerate to their original shape in impacts of up to 2.5 mph
- Dynamic Stability Control (DSC) comprising:
 - Anti-lock Braking System (ABS)
 - Automatic Stability Control (ASC)
 - Brake Assist function
 - Cornering Brake Control (CBC)
 - Dynamic Brake Control (DBC)
 - Dynamic Traction Control (DTC)
 - Electronic Brake-force Distribution (EBD)
 - Hill-start Assistant
- First Aid kit and warning triangle
- Foglights, rear
- Follow-me-home headlight function
- Front, side and head airbags for driver and front passenger
- Headlight wash
- Impact-dependent airbag system
- Locking wheel bolts (Thatcham approved)
- Passenger seat airbag deactivation
- Roll-over protection system
- Run-flat tyres with Tyre Puncture Warning System (TPWS)
- Safety battery cable
- Seat belts – inertia reel with pyrotechnical belt latch tensioner, belt force limiter and belt restrainer
- Side impact protection
- Xenon headlights with welcome light and daytime driving lights

Seats

- Panama cloth upholstery

Exterior equipment

- All round anti-corrosion system with partial hot galvanising, phosphate treatment and cathodic dip paintwork, preservation of hollow cavities, underfloor protection
- Bootlid operation, soft-close
- Exterior mirrors in body colour, heated
- Exhaust tail pipes – dual, round, left
- Front apron air inlets in black
- Kidney grille, chrome with black vertical slats
- Retractable Hard-Top (RHT), 2-piece with remote opening control in key

Interior equipment

- Air conditioning, automatic with two-zone control
- Air microfilter
- Ambient interior lighting
- Armrest – front, centre
- Battery in luggage compartment with jump start facility in engine bay
- Door sill finishers in black with BMW designation
- Electric windows – front and rear, with open/close fingertip control, anti-trap facility and comfort opening function all round via key
- Floor mats, velour
- Gear lever gaiter in leather
- Heated glass rear window
- Multi-function sport leather steering wheel, three-spoke
- Reading lights
- Satin Silver interior trim, matt
- Smoker's package
- Steering column with manual reach and rake adjustment
- Storage compartments in instrument panel and centre console

Audio and communication

- Auxiliary input point for auxiliary playing devices
- BMW Professional radio with single CD player (with MP3 playback facility) and dual tuner
- On-Board Computer (OBC) comprising:
 - Average speed
 - Fuel consumption and range
 - Information display – analogue instruments combined with liquid crystal display
 - Journey computer
 - Outside temperature display
- Preparation for DVD changer

Z4 sDrive30i

Equipment in addition / replacement to Z4 sDrive23i

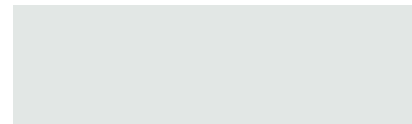
- Kansas leather upholstery
- Rain sensor with automatic headlight activation
- Rear-view mirror, automatically dimming

Z4 sDrive35i

Equipment in addition / replacement to Z4 sDrive30i

- 17" light alloy Turbine-spoke style 292 wheels
- Brushed Aluminium interior trim
- Door sill finishers with BMW designation, metal finish
- Exhaust tail pipes – single, round, left and right
- Extended lighting
- Front apron air inlets in matt aluminium
- Kidney grille, chrome with matt aluminium vertical slats
- Metallic paintwork
- Seat adjustment – electronic, with driver memory
- Six-cylinder in-line petrol engine with high-precision direct injection
- Twin-turbo

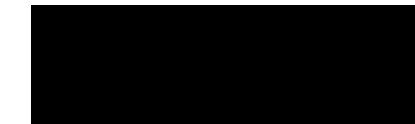
● **Alpine White**
300 non-metallic



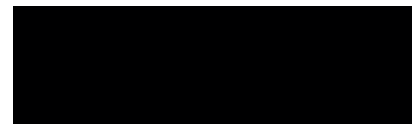
● **Crimson Red**
A61 non-metallic



● **Jet Black**
668 non-metallic



○ **Black Sapphire**
475 metallic



○ **Deep Sea Blue**
A76 metallic



○ **Orion Silver**
A92 metallic



○ **Space Grey**
A52 metallic



○ **Titanium Silver**
354 metallic



Key ● = Standard ○ = Optional

Please see the Paintwork, Interior Trims and Upholstery pricing tables or consult your BMW Dealer for further details.

These colour samples are designed to give you a first impression of paints and materials. Experience has shown however, that printed versions of paint, upholstery and trim colours cannot in all cases faithfully replicate the colour appearance of the originals. We recommend therefore that you consult your BMW Dealer on your preferred choices.

● **Satin Silver** 4CG



○ **Brushed Aluminium** 4AD



○ **Dark Ash wood, high-gloss** 4BN



Key ● = Standard ○ = Optional

Please see the Paintwork, Interior Trims and Upholstery pricing tables or consult your BMW Dealer for further details.

● **Panama cloth**
Anthracite ASAT



○ **Kansas leather**
Black LYSW



○ **Kansas leather**
Canberra Beige LYCY



○ **Kansas leather**
Coral Red LYD1



○ **Extended Kansas leather**
Black PASW



○ **Extended Kansas leather**
Canberra Beige PACY



○ **Extended Kansas leather**
Coral Red PAD1



Key ● = Standard ○ = Optional

Please see the Paintwork, Interior Trims and Upholstery pricing tables or consult your BMW Dealer for further details.

Exterior Colour

Havanna¹
A17 metallic



Upholstery Colour

Exclusive Nappa leather
Ivory White LZEW

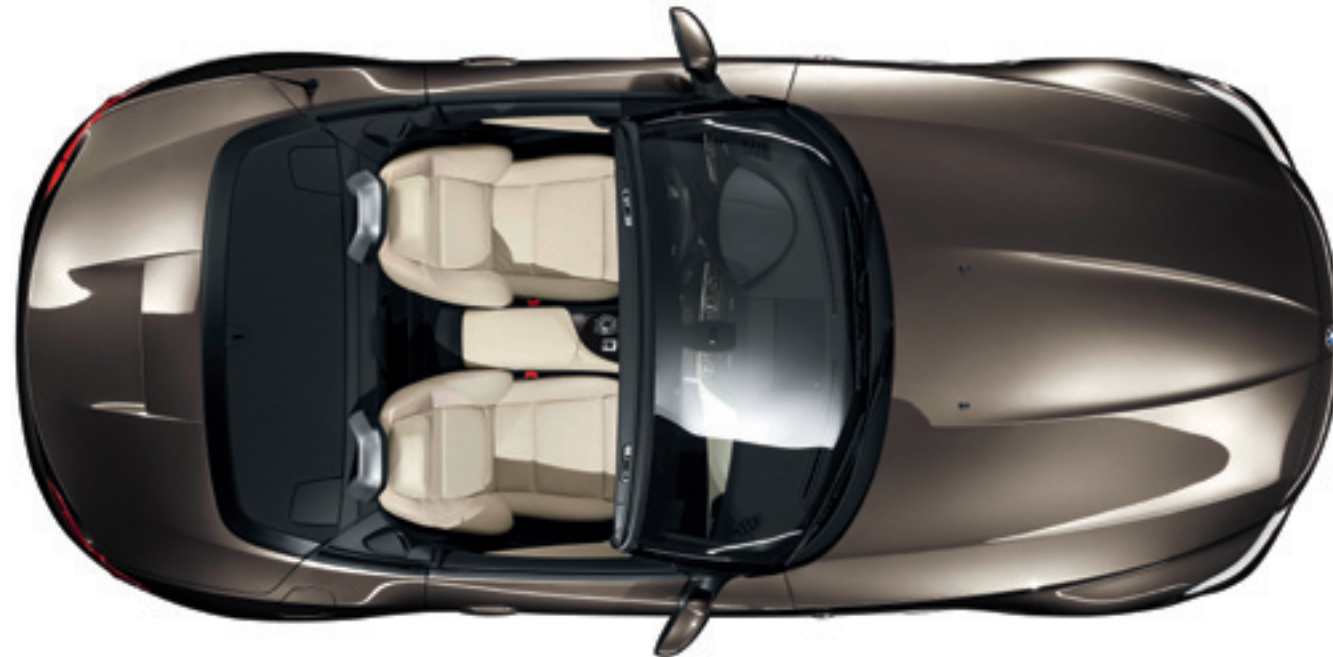


Interior Trim

Fineline Anthracite wood, high-gloss 4CE



Key ¹ = All other metallic exterior colours are available with Pure White design package
Please see the Paintwork, Interior Trims and Upholstery pricing tables or consult your BMW Dealer for further details.



Model	Upholstery	Upholstery colour	Interior colour	Option code	Standard seats	Sport seats	Paintwork						Upholstery		
							481	475	A52	354	A92	A76	A17	668	A61
Standard: sDrive23i	Panama cloth upholstery	Anthracite	Black	ASAT	●	-	●	●	●	●	●	-	●	●	●
Standard: sDrive30i and sDrive35i	Kansas leather upholstery	Black	Black	LYSW	●	●	●	●	●	●	●	-	●	●	●
		Canberra Beige	Black	LYCY	●	●	●	●	●	●	●	-	●	●	●
		Coral Red	Black	LYD1	●	●	●	●	●	●	●	-	●	-	●
Optional: All	Extended Kansas leather upholstery	Black	Black	PASW	●	●	●	●	●	●	●	-	●	●	●
		Canberra Beige	Black	PACY	●	●	●	●	●	●	●	-	●	●	●
		Coral Red	Black	PAD1	●	●	●	●	●	●	●	-	●	-	●
Optional: All	Exclusive Nappa leather upholstery*	Ivory White	Black	LZEW	-	●	●	●	●	●	●	-	-	-	

Key ● = Available - = Not available * = Only available with 7SL Pure White design package

The above table shows all available exterior and upholstery colour combinations. To view colour samples please consult your local BMW Dealer who will be happy to assist you with your choices. Alternatively, further combination details can be found on the 'Build your BMW' section of the www.bmw.co.uk website.

Model	Trim	Option Code	Panama cloth	Kansas leather			Extended Kansas leather			Exclusive Nappa leather
			Anthracite ASAT	Black LYSW	Canberra Beige LYCY	Coral Red LYD1	Black PASW	Canberra Beige PACY	Coral Red PAD1	Ivory White* LZEW
Optional: All	Ash-grain wood interior trim, high-gloss	4BN	○	○	○	○	○	○	○	-
	Brushed Aluminium interior trim	4AD	○	○	○	○	○	○	○	-
	Fineline Anthracite wood interior trim, high-gloss*	4CE	-	-	-	-	-	-	-	●
	Satin Silver interior trim, matt	4CG	●	●	●	●	●	●	●	-

	Carpet	Floor mats	Dashboard		Seats		Doors		
			Lower	Upper	Seat back	Seat facing	Door insert	Door casing	Door armrest

Panama cloth upholstery

Anthracite	Anthracite	Anthracite	Black	Black	Black	Anthracite	Anthracite	Black	Black
-------------------	------------	------------	-------	-------	-------	------------	------------	-------	-------

Kansas leather upholstery

Black	Anthracite	Anthracite	Black	Black	Black	Black	Black	Black	Black
Canberra Beige	Anthracite	Anthracite	Canberra Beige	Black	Black	Canberra Beige	Canberra Beige	Black	Canberra Beige
Coral Red	Anthracite	Anthracite	Coral Red	Black	Black	Coral Red	Coral Red	Black	Coral Red

Extended Kansas leather upholstery

Black	Anthracite	Anthracite	Black	Black	Black	Black	Black	Black	Black
Canberra Beige	Anthracite	Anthracite	Canberra Beige	Black	Black	Canberra Beige	Canberra Beige	Black	Canberra Beige
Coral Red	Anthracite	Anthracite	Coral Red	Black	Black	Coral Red	Coral Red	Black	Coral Red

Exclusive Nappa leather upholstery

Ivory White	Anthracite	Anthracite	Ivory White	Black	Black	Ivory White	Ivory White	Black	Ivory White
--------------------	------------	------------	-------------	-------	-------	-------------	-------------	-------	-------------

Key ● = Standard interior trim ○ = Interior trim available at extra cost
 - = Not available * = Only available with 7SL Pure White design package

The above table shows all available trim and upholstery colour combinations. To view colour samples please consult your local BMW Dealer who will be happy to assist you with your choices. Alternatively, further combination details can be found on the 'Build your BMW' section of the www.bmw.co.uk website.

		Light alloy Star-spoke 290	Light alloy Turbine-spoke 292	Light alloy Multi-spoke 293
Wheel size	Front / rear	8 J x 17	8 / 8.5 J x 17	8 / 8.5 J x 18
Tyre size	Front / rear	225/45 R17	225/45 R17 / 255/40 R17	225/40 R18 / 255/35 R18
	Option code	2S3	2AE	2S5
				
Z4 sDrive23i, Z4 sDrive30i		●	£310	£890
Z4 sDrive35i		-	●	£585

		Light alloy V-spoke 294	Light alloy V-spoke 296
Wheel size	Front / rear	8 / 8.5 J x 18	8 / 9 J x 19
Tyre size	Front / rear	225/40 R18 / 255/35 R18	225/35 R19 / 255/30 R19
	Option code	2KV	2KW
			
Z4 sDrive23i, Z4 sDrive30i		£965	£1,395
Z4 sDrive35i		£660	£1,090

Key ● = Standard £ = Optional - = Not available



BMW EfficientDynamics

	Z4 sDrive23i	Z4 sDrive30i	Z4 sDrive35i	Price
Brake Energy Regeneration	●	●	●	std
Electric Power Steering	●	●	●	std
Lightweight Engineering	●	●	●	std
Optimum Shift Indicator	●	●	●	std

Certain BMW EfficientDynamics features may be excluded depending on the optional equipment chosen. Your BMW Dealer will be pleased to provide you with more information.

Transmission

		Z4 sDrive23i	Z4 sDrive30i	Z4 sDrive35i	Price
Seven-speed Double Clutch Transmission (DCT)	2TC	-	-	○	£1,810
Seven-speed Double Clutch Transmission allows gear changes without a break in the flow of power to the rear wheels. Chose from manual gear changes via steering wheel mounted gearshift paddles or a fully automated mode. Also features Launch Control and includes gearshift paddles for sport leather steering wheel.					
Sport automatic transmission	2TB	○	○	-	£1,765
Six-speed automatic transmission gives dynamic and sporty gearchanges via the steering wheel paddles or selector lever. Sport button activates Sport Mode where gear changes are almost instantaneous in either up or down shifts. Includes gearshift paddles for sport leather steering wheel.					

Wheels and chasis

		Z4 sDrive23i	Z4 sDrive30i	Z4 sDrive35i	Price
Adaptive M Sport suspension	2VF	○	○	○	£930
Adjustable and dynamically variable suspension system. Drive Dynamic Control used to select parameters from NORMAL, SPORT and SPORT+ but dampers continuously react to road surface and driving style. 10mm lower ride height.					

Key ● = Standard ○ = Optional - = Not available

	Z4 sDrive23i	Z4 sDrive30i	Z4 sDrive35i	Price
Safety and technology				
Adaptive Headlights 524 Offers improved visibility by following the steering angle of the front wheels, giving better illumination of the road ahead through corners. Not active when the car is reversing or turned right at a standstill to avoid dazzling oncoming traffic. Cornering light for illuminating the roadway when cornering with a suitable steering angle at speeds of up to 45 mph (65 km/h). The cornering light is also activated at speeds below 22 mph (35 km/h) when direction indicators are in use. Only with 521.	○	○	○	£340
Cruise Control with brake function 544 Adjustable in five mph segments as well as one mph segments for fine tuning. Pre-set speed is automatically maintained by the application of the throttle and brakes.	○	○	○	£245
High-beam Assistant 5AC High-beam Assistant supports the driver by automatically alternating between low and high beam when there is oncoming traffic and when driving through changing light conditions. Only with 430 / 431 and 521. Not with 4NA.	○	○	○	£115
Park Distance Control (PDC), front and rear 508 Acoustic (and visual in combination with option 609, Navigation system – BMW Professional Multimedia) warning of proximity to obstacles to the front and rear of the car. Manual deactivation. Sensors in the bumpers painted in body colour.	○	○	○	£590
Rain sensor with automatic headlight activation 521 Automatic activation/intermittent-wipe control for windscreen wipers and automatic activation of headlights.	○	●	●	£100

Key

Only with – these options must be ordered together
Not with – these options are not available for ordering together
/ = Indicates 'or'

● = Standard ○ = Optional

	Z4 sDrive23i	Z4 sDrive30i	Z4 sDrive35i	Price
Seats				
Lumbar support, driver and passenger 488 Electric lumbar adjustment for an ergonomically perfect seat position and support of back muscles.	○	○	○	£235
Seat adjustment, electric with memory 459 Electric adjustment of seat movement for driver and front passenger. Thigh-rest in combination with sport seats is manually adjustable. Head restraint height has manual adjustment. Two memory positions for driver's seat, including mirror memory for driver's side. Automatic dipping parking function for front passenger side mirror in reverse gear.	○	○	●	£945
Seat heating 494 Seat heating for driver and passenger. Seat surface and backrest are rapidly heated to add comfort in colder months. The seat heating can be adjusted by a three-stage switch.	○	○	○	£280
Sport seats 481 Length, height, tilt and thigh-rest manually adjustable. Including electric adjustment of backrest side bolsters, which ensures optimum lateral support when cornering. Not with AS.	○	○	○	£475

Key

Not with – these options are not available for ordering together

● = Standard ○ = Optional

	Z4 sDrive23i	Z4 sDrive30i	Z4 sDrive35i	Price
Exterior equipment				
Comfort Access 322 Keyless access to the vehicle (driver and passenger doors, luggage compartment lid) and keyless starting of the vehicle.	○	○	○	£510
Exterior and interior mirrors – folding, automatically dimming 430 Rear-view mirror and electrically foldable exterior mirrors with automatic dimming. Includes a key-dependent memory function for exterior mirrors. Not with 313. Includes 431 for Z4 sDrive23i.	○	○	○	£395 £255
Exterior mirrors, folding 313 Electronically folding exterior mirrors for parking and manoeuvring through tight spots. Not with 430.	○	○	○	£190
Model designation deletion 320 Removal of model designation from rear bootlid and front wings.	○	○	○	£0
Interior equipment				
Extended lighting 563 Includes: – Door handle illumination – Exit lighting – Footwell lights – Reading lights – Sunvisors with illuminated vanity mirrors	○	○	●	£190

Key

Not with – these options are not available for ordering together

● = Standard ○ = Optional

	Z4 sDrive23i	Z4 sDrive30i	Z4 sDrive35i	Price
Interior equipment (cont.)				
Headlining, Anthracite 775	○	○	○	£145
Rear-view mirror, automatically dimming 431 Electrochromic rear-view mirror.	○	●	●	£170
Rear-view mirror with digital compass 4NA LED compass readout indicating direction of travel, displayed within the rear-view mirror. Not with 5AC. Only with 430 / 431.	○	○	○	£70
Smoker's package deletion 441 Replaces ashtray and 12V socket with an open storage area. Additional 12V socket added in passenger footwell. 12V socket in the armrest remains.	○	○	○	£0
Storage compartment package 493 Contents in addition to the standard storage facilities: – 2 cupholders in the centre console – Folding compartment on driver's side – Nets on the backrest rear panel – Net in front passenger footwell – Partition storage compartment (in the area of the opening for 4UT, removable) – 1 clothes hook on each side, attached to the roll-bar – Attachment straps in the luggage compartment	○	○	○	£155
Through-loading feature with integrated transport bag 4UT Additional storage to allow for transporting a golf bag or 2 pairs of skis up to 170 cm long with the roof down. Additional luggage through-loads into rear of cabin space.	○	○	○	£160
Universal remote control 319 Replaces up to three remote controls, for remote control of garage doors and driveway gates for example. Integrated in the rear-view mirror housing. Please ensure technical compatibility with a BMW Dealer before ordering. Only with 430 / 431.	○	○	○	£190

Key

Only with – these options must be ordered together

Not with – these options are not available for ordering together

/ = Indicates 'or'

● = Standard ○ = Optional

		Z4 sDrive23i	Z4 sDrive30i	Z4 sDrive35i	Price
Interior equipment (cont.)					
Wind deflector 387		○	○	○	£205
Clip-in wind deflector to reduce buffeting at higher speeds with the roof down. Fits between the roll-over bars and can be stored in storage bag in boot.					
Windscreen with grey shade band 3AP		○	○	○	£70
Grey shade band along the top of the windscreen to help preventing dazzling by the sun.					
Steering wheels					
Steering wheel heating 248		○	○	○	£145
Standard steering wheel with heating element in the steering wheel rim. Activation via switch on steering column.					
Audio and communication					
Bluetooth telephone audio connection 6NF		○	○	○	£80
Additional connection point for the playback of music from a mobile phone with a built in music player. Please consult your BMW Dealer for details of compatible handsets and the availability of a cradle that will need to be purchased separately. Only with 6FL and 633 / 644.					
Bluetooth telephone preparation 644		○	○	○	£585
Bluetooth telephone preparation. Please note that this does not include a handset or phone cradle. These need to be purchased separately. Consult your BMW Dealer for details of compatible phones or go to www.bmw.co.uk/bluetooth . Not with 633.					

Key

Only with – these options must be ordered together
Not with – these options are not available for ordering together

○ = Optional

		Z4 sDrive23i	Z4 sDrive30i	Z4 sDrive35i	Price
Audio and communication (cont.)					
Bluetooth telephone preparation with telematics 633		○	○	○	£585
Bluetooth telephone preparation with the addition of a pre-fitted telematic SIM card for the use of BMW ConnectedDrive services. Only available in conjunction with 609, Navigation system – BMW Professional Multimedia. Includes 612, BMW ConnectedDrive – Assist and 616, BMW ConnectedDrive – Online. Not with 644.					
BMW ConnectedDrive – Assist 612		○	○	○	£0
Telematic services with automatic and manual 999 emergency SOS call, BMW Breakdown service, My Info with Google send to car function and Information Plus (location-based operator service). Includes subscription to services for three years (customer registration required to activate services). Automatically included with the combination of 609, Navigation system – BMW Professional Multimedia and 633, Bluetooth preparation with telematics. Only with 609, 616, 633.					
BMW ConnectedDrive – Online 616		○	○	○	£0
WAP-based vehicle browser with access to the BMW Online portal. Services include news, with the ability to set up RSS news feeds, weather and the Google local search, a business listing search facility. Includes subscription to the services for three years (customer registration required to activate services). Please note function disabled while vehicle in motion. Automatically included with the combination of 609 Navigation system – BMW Professional Multimedia and 633, Bluetooth preparation with telematics. Only with 609, 612, 633.					

Key

Only with – these options must be ordered together
Not with – these options are not available for ordering together

○ = Optional

		Z4 sDrive23i	Z4 sDrive30i	Z4 sDrive35i	Price
Audio and communication (cont.)					
DAB digital radio 654 Enables reception of digital audio programmes.		○	○	○	£310
DVD Changer 696 Six-disc DVD changer located in top section of glove compartment. Also plays audio CDs, MP3 CDs and MP3 DVDs. Only with 677.		○	○	○	£455
Loudspeaker system – BMW Business 676 Loudspeaker system with a total of 11 loudspeakers and a multi channel digital 245W amplifier: – 1 centre midrange speaker in instrument panel – 2 bass speakers in A-pillars – 2 tweeters in mirror triangles – 2 midrange speakers in door panels – 2 bass speakers in partition wall behind seats – 2 midrange speakers behind seats at the side Not with 677.		○	○	○	£545
Loudspeaker system – BMW Professional 677 BMW Professional loudspeaker system with a total of 14 loudspeakers and digital 650W amplifier: – 1 midrange speaker in the middle of the instrument panel – 1 tweeter in the middle of the instrument panel – 2 bass speakers in A-pillars – 2 tweeters in mirror triangles – 2 midrange speakers in door panels – 2 bass speakers in partition wall behind seats – 2 midrange speakers behind seats at the side – 1 centre midrange speaker in partition wall behind seats – 1 centre tweeter in partition wall behind seats Selectable surround function with simulation of "Church", "Hall" or "Jazz" sounds possible and vehicle and speed-specific equalising. 7-band equaliser when fitted in conjunction with 609. Not with 676.		○	○	○	£815

Key

Not with – these options are not available for ordering together

○ = Optional

		Z4 sDrive23i	Z4 sDrive30i	Z4 sDrive35i	Price
Audio and communication (cont.)					
Navigation system – BMW Professional Multimedia 609 – iDrive Controller with intuitive operation and shortcut buttons – High resolution 8.8" folding Control Display – Built in hard disc drive for improved speed of operation and data storage – Detailed navigation map and options to enhance route planning – Multimedia capability with 12GB storage for audio files – Favorite buttons (eight programmable buttons for iDrive functions) Note – if a telephone system is also required, please specify 633 Bluetooth telephone preparation with telematics, 612 BMW ConnectedDrive – Assist and 616 BMW ConnectedDrive – Online.		○	○	○	£2,135
TV function 601 Digital TV function also allows analogue reception. TV function only when vehicle is stationary. Only with 609. Not with 602.		○	○	○	£780
USB audio interface 6FL Interface for an MP3 player or USB memory stored music files. Track selection possible via iDrive Controller or steering wheel multi-function buttons. Please consult your BMW Dealer for details of compatibility. An additional adaptor cable may be required.		○	○	○	£230

Key

Only with – these options must be ordered together

Not with – these options are not available for ordering together

/ = Indicates 'or'

○ = Optional

		Z4 sDrive23i	Z4 sDrive30i	Z4 sDrive35i	Price
Audio and communication (cont.)					
Voice Control	620	○	○	○	£310
Voice Control of various telephone, entertainment, and navigation functions: – Audio sources, tracks – Air conditioning settings – Navigation displays – Telephone Only with 602 / 609.					
Paintwork upholstery and trims					
Non-metallic paintwork	uni	●	●	○	£0
Metallic paintwork	met	○	○	●	£510
Panama cloth upholstery	AS	●	○	○	£0
Kansas leather upholstery	LY	○	●	●	£1,015
Extended Kansas leather upholstery	PA	○	○	○	£2,120 £1,105
Exclusive Nappa leather Ivory White upholstery	LZ	○	○	○	£0
Only with 7SL.					
Interior trim, Satin Silver matt	4CG	●	●	○	£0
Interior trim, Brushed aluminium	4AD	○	○	●	£220
Interior trim, Ash-grain wood, high-gloss	4BN	○	○	○	£335 £115
Interior trim, FINELINE Anthracite wood, high-gloss	4CE	○	○	○	£0
Only with 7SL.					

Key

Only with – these options must be ordered together
/ = Indicates ‘or’

● = Standard ○ = Optional

		Z4 sDrive23i	Z4 sDrive30i	Z4 sDrive35i	Price
Packages					
Pure White design package	7SL	○	○	○	£2,530
Includes: – 481 Sport seats – 4CE FINELINE Anthracite wood interior trim, high-gloss – LZE Exclusive Nappa leather upholstery in Ivory White – Metallic paint (including Havanna available exclusively with this package) Not with AS / LY / PA / uni / 4AD / 4BN / 4CG.					
					£1,735
					£1,550

Key

Not with – these options are not available for ordering together
/ = Indicates ‘or’

○ = Optional

	Z4 sDrive23i	Z4 sDrive30i	Z4 sDrive35i	Price
Options available from your dealer				
BMW Service Inclusive	Covers the cost of labour and parts for all routine servicing for 5 years or 60,000 miles, whichever comes first. Cover includes: brake fluid, air filters, micro filters, fuel filter (diesel models only), spark plugs, oil filters, engine oil. Transferable to subsequent owners.			
5 years / 60,000 miles	○	○	○	£885
BMW Service Inclusive Plus	Covers the cost of labour, parts and lubricants for all routine servicing and maintenance for 5 years or 60,000 miles, whichever comes first. Cover includes: brake pads, brake discs, brake sensors, brake fluid, air filters, micro filters, fuel filter (diesel models only), spark plugs, oil filters, engine oil, clutch assembly (only if worn) and wiper blade rubbers. Transferable to subsequent owners.			
5 years / 60,000 miles	○	○	○	£1,850
BMW Trackstar 24-hour vehicle tracking device utilising GSM, GPS technology and a vehicle movement sensor. (Meets Thatcham Quality Accreditation – TQA.)	○	○	○	£214.34*
BMW Trackstar 5 24-hour vehicle tracking device utilising GSM, GPS technology, a vehicle movement sensor and a driver authentication device. (Meets Thatcham Category 5 Accreditation – Cat 5.)	○	○	○	£439.45*

Key

/ = Indicates 'or'

○ = Optional

* = Prices exclude fitment or subscription. Please consult your BMW Dealer for further details.

Services and Benefits.

Warranties

Every BMW registered is protected by a Dealer Warranty, which provides cover for 3 years' unlimited mileage. In addition, every BMW is covered by an unlimited mileage, twelve years' anti-corrosion warranty and three years' paintwork warranty.

Full details of these warranties are available from your BMW Dealer and are provided in the BMW Warranty and Emergency Service Handbook.

BMW Emergency Service

BMW Emergency Service is the only roadside and assistance programme designed specifically for BMW vehicles offering an exceptional range of benefits and services. It is available 24 hours a day, 7 days a week and utilises a dedicated fleet of BMW Approved Technicians, equipped with Genuine BMW Parts and tools, ensuring that you and your vehicle receive the best possible care in the event of any motoring emergency. This tailor-made programme has been specifically designed to meet the needs of BMW drivers travelling in the UK and Continental Europe giving complete reassurance and peace of mind. Every new BMW is covered for three years.



BMW Magazine

Every new BMW customer receives a complimentary subscription to BMW Magazine. This lifestyle publication features all the latest news and developments from BMW, including interesting interviews, sporting news, travel experiences and art stories.

Finance and Insurance from BMW.

BMW Financial Services

Chances are, you've already decided on the BMW you want to drive. Now discover the perfect finance solution to get you behind the wheel. BMW Financial Services offers a range of tailor-made finance packages to suit you and your budget.

And to help you, at every BMW Dealership, there's a Financial Services Specialist – a dedicated expert who'll find the perfect solution for you. They'll talk you through the options and help you come to the right decision.

Our comprehensive range of finance and insurance products include:

- **BMW Select (Personal Contract Purchase)**
- **BMW Hire Purchase**
- **BMW Contract Hire**
- **BMW Car Insurance**
- **BMW Home Insurance**
- **BMW Travel Insurance**

For details of your local BMW Dealer, please call 0800 325600.

Further information on our finance products can be found at www.bmw.co.uk

Finance is subject to status and available to over 18's in the UK only (excludes the Channel Islands). Guarantees and indemnities may be required. Finance is provided by BMW Financial Services, Europa House, Bartley Way, Hook, Hampshire, RG27 9UF.

BMW Car Insurance

Driving a BMW shows that you refuse to compromise on the quality of your car so why should your car insurance be any different? Designed for you, BMW Car Insurance offers cover that can help give you peace of mind.

Call BMW Car Insurance today on 0870 0240 520.

Lines open 8am – 8pm Monday to Friday, 9am – 5pm Saturdays. Max call charge from a BT landline is 8p a minute. Calls from other networks may vary.

BMW Car Insurance is underwritten by UK Insurance Limited. The Wharf, Neville Street, Leeds, LS1 4AZ, which is authorised and regulated by The Financial Services Authority.

BMW ConnectedDrive.

BMW ConnectedDrive provides telematic and online services that are fully integrated with your navigation and Bluetooth telephone system. The services provide you and your passengers access to key information from within the vehicle, helping you keep safe and in touch.



Emergency 999 SOS call

The emergency SOS call provides a direct link to a 999 emergency call centre. This call can either be activated manually, or in extreme situations the sensors in the vehicle will automatically make the call and transmit your location to the emergency services. In either instance you can be assured that help can be despatched without delay.

Breakdown call

Roadside breakdown assistance is never far away because with BMW ConnectedDrive your vehicle will have a direct link to the BMW Service Centre. This link automatically provides the operator with your vehicle details and position so that a BMW Approved Technician can be despatched quickly and easily.

Information Plus

At the push of a button local information is available wherever you may be in the country, using the Information Plus service. The service is available 24 hours a day, seven days a week and connects you to an operator who will be able to quickly access the information you need. You can request places of interest, from hotels and restaurants to museums or historical attractions. The information is then sent to your car and can then be used in your navigation system to plan a route to your destination, or to make a call on your Bluetooth telephone.

My Info

As a BMW ConnectedDrive customer you will be able to access an internet website from where you, or others, can send information to your vehicle. Multiple addresses and telephone numbers can be sent to your vehicle, they can then be transferred into your navigation system or your Bluetooth telephone. Using the My Info service you can also send residential addresses or business listings via Google Maps. When you have found a place of interest or entered the address in the map, there is a send-to-car function on the website, this will send the address and telephone number to your vehicle.

Remote Services

Remote Services provides you with the facility to contact the BMW Service Centre, who can remotely lock or unlock your vehicle. You will be required to activate your vehicle and set-up your own personal security questions within the ConnectedDrive website. After you have set-up the service, should you be in a situation where you have accidentally locked your keys in the car, the BMW Service Centre will be able to unlock your vehicle. Likewise, if you are not near your car and you cannot remember if you have locked the car, our call centre can remotely lock the vehicle for you.

Extended News and Weather

BMW ConnectedDrive provides you with access to a WAP-based browser which connects to the BMW Online portal. The portal displays the latest Weather forecast and Extended News stories from categories such as World, Business and Sports News.

My News

From your BMW Online portal, My News provides you with a selection of the latest news from internet sources, which can be defined as you desire. Through these RSS news feeds, titles and short summaries of news items from websites will be visible directly in the Control Display of your BMW. This gives you quick access to your favoured news topics and enables you to keep in touch.

Google local search

With the Google local search you can access location based information via Google Maps, from the BMW Online portal in the car. Information such as hotels and restaurants can be requested at the current vehicle location, navigation destination or at any other specific location. The content is taken directly from live Google Maps information. Search results appear in a list format, the addresses can be transferred into the navigation system or the telephone number can be transferred to a Bluetooth telephone. Some search results contain additional information such as opening hours, car park details or pictures of the location.

Routes

With Routes you have the facility to import a route with multiple stop-off points into the navigation system. BMW Routes provides a number of default routes across Europe for you to import in your car via BMW Online. My Routes allows you to configure your own routes on the ConnectedDrive website. They can be saved onto a USB memory stick and you can import them directly into your vehicle. This provides you with the facility to plan a trip from the comfort of your own home.

BMW ConnectedDrive website

As a BMW ConnectedDrive customer you will have access to an internet website with a route planner, traffic information and text message service. The website provides a link to your vehicle by allowing you to send information to your car. You can also modify your news links for My News, or set-up Remote Services for your car. Additional services such as profile settings and a handy help page are also featured.

A three year BMW ConnectedDrive subscription is included with every vehicle equipped with the optional Professional Multimedia Navigation system (609) and Bluetooth telephone preparation with telematics (633). In conjunction with Bluetooth telephone preparation with telematics (633), unlimited use of BMW ConnectedDrive is included within the subscription.

In the UK ConnectedDrive services require a connection to a UK mobile telephone network. Services are not available on the Isle of Man or the Channel Islands. Some services are available in other European countries, refer to your BMW dealer for more details. Terms and conditions apply.

Aftersales.

BMW Service Inclusive

Wouldn't it be good to know all your servicing costs in advance? Well, that's exactly what BMW Service Inclusive provides. Once you have decided which of the options best suits your needs, you can simply relax, and look forward to enjoying care-free driving, courtesy of BMW Service Inclusive.

BMW Service Inclusive lasts for 5 years or 60,000 miles (whichever occurs sooner), so all you need to do is decide which option suits you best. BMW Service Inclusive – covering all your vehicle's servicing requirements or BMW Service Inclusive Plus which in addition to servicing also covers maintenance items such as brakes pads, brake discs and windscreen wipers.

Furthermore, BMW Service Inclusive is transferable to subsequent owners within the time and mileage period, enhancing the resale value of your car.*

*For further information please contact your local BMW Dealer.

Genuine BMW Accessories

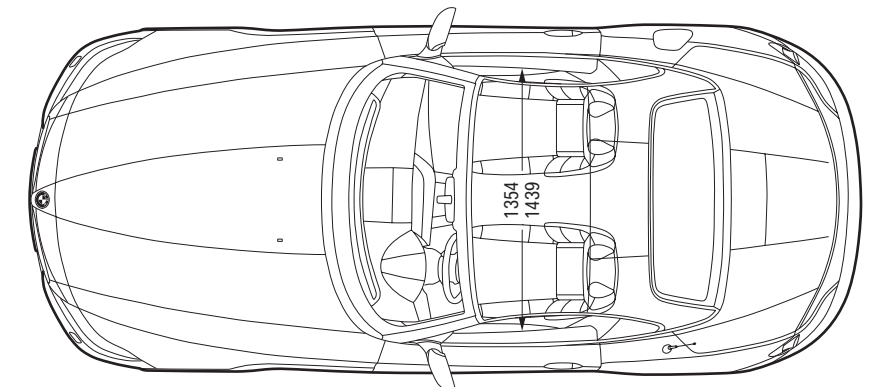
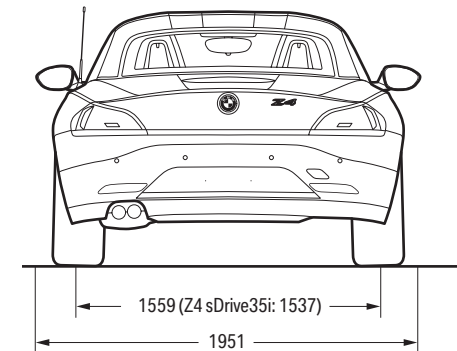
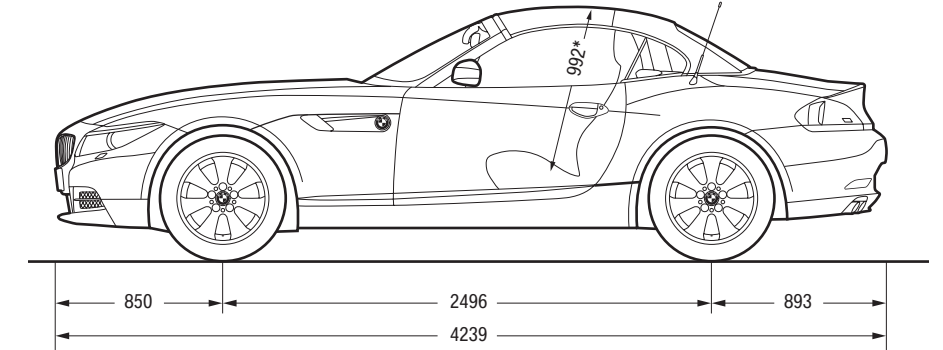
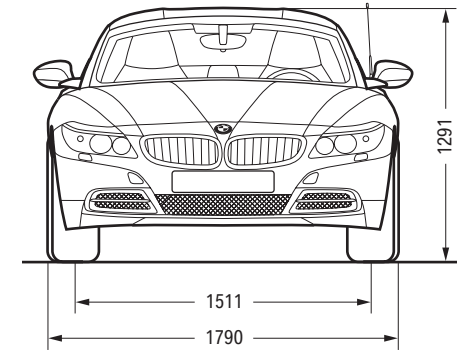
Your choice of car says a great deal about you. Genuine BMW Accessories allow you to make that statement even more personal. There's endless scope for personalising your BMW to suit your needs and style, with a wide range of accessories from exterior and interior styling to mobile communications, all of which have been designed to the same exacting standards as your vehicle. For further details on Genuine BMW Accessories for your BMW, please contact your local BMW Dealer.

BMW Lifestyle

The BMW Lifestyle Collection reflects the exclusivity and versatility of BMW design. This innovative product range demonstrates the highest quality in both materials and functionality. The extensive product portfolio includes clothing and accessories items such as miniatures, keyrings, leather goods, mountain bikes, kids' mobility products, golf accessories, motorsport and yachting products.

	Z4 sDrive23i	Z4 sDrive30i	Z4 sDrive35i
Engine and performance			
Configuration	In line / 6 / 4	In line / 6 / 4	In line / 6 / 4
Displacement [cc]	2497	2996	2979
Stroke / Bore [mm]	78.8 / 82.0	88.0 / 85.0	89.6 / 84.0
Power output [hp]	204	258	306
Torque output [Nm]	250	310	400
Top speed [mph]	151	155 ⁵	155 ⁵
0-62 mph¹ [secs]	6.6	5.8	5.2
Fuel consumption and emissions^{2,3}			
Urban [mpg / l/100km]	22.8 / 12.4	22.8 / 12.4	20.9 / 13.5
Extra-Urban [mpg / l/100km]	45.6 / 6.2	45.6 / 6.2	40.4 / 7.0
Combined [mpg / l/100km]	33.2 / 8.5	33.2 / 8.5	30.1 / 9.4
CO₂ emissions [g/km]	199	199	219
Emissions classification	EU5	EU5	EU5
Additional technical data			
Luggage capacity [l]	180 - 310	180 - 310	180 - 310
Fuel tank capacity [l]	55	55	55
Curb weight: DIN/EU⁴ [kg]	1405 / 1480	1415 / 1490	1505 / 1580
Rear axle load ratio DIN [%]	51.8	51.4	50.4
Gross weight / Payload [kg]	1735 / 330	1745 / 330	1835 / 330
Permitted axle limit front/rear [kg]	800 / 970	800 / 970	870 / 1000
Drag coefficient [cd]	0.34	0.34	0.35

BMW Z4



¹ 0-62 mph is equal to 0-100 km/h.

² The petrol engines are designed for RON 98 grade fuel. They can be run on fuel down to RON 91 (for xDrive35i RON 95-98) with a decrease in power.

³ All engines meet the EU5 emissions standard. Fuel consumption is determined in accordance with the ECE driving cycle made up of approximately one third urban traffic and two thirds extra-urban driving (based on the distance covered). CO₂ emissions are measured in addition to fuel consumption.

⁴ The figure quoted includes a 90 per cent tank filling, 68 kg for the driver and 7 kg for luggage. Unladen weight applies to vehicles with standard equipment. Optional equipment may increase this figure.

⁵ Electronically limited.

All dimensions in millimetres.

More about BMW

Tel. 0800 325 600
www.bmw.co.uk



**The Ultimate
Driving Machine**



This price list is printed on paper which has been sourced from sustainably managed forests.