

Land Cruiser



TOYOTA



For Toyota,
quality is not just a promise;
it's a way of life



Nothing is so good that it cannot be made better. That is why we strive for constant improvement in everything we do. It is not a motto. Or a mission statement we hang on the wall and forget about. It is simply the way we do things. We have a word for it: 'kaizen'. It means 'continuous improvement' and it is the key principle that guides us in our pursuit of total quality.

This commitment to quality results in real benefits – benefits that enhance the quality of your life. We know this because you tell us so by consistently voting Toyota highly in independent customer satisfaction surveys. This is also evident through the outstanding results Toyota achieves in the Euro NCAP safety tests. Most of all we know this because we make it our business to find out how to give you the best possible ownership experience, from when you first buy your car, right up to when you ultimately sell it.

What this means for you is that every time you get into the driving seat of a Toyota and start the engine, you will experience a feeling of complete confidence. Confidence that comes from knowing that the car you are driving is designed and engineered with the very highest standards of quality and reliability in mind. For Toyota, quality is not just a promise; it's a way of life.

"From now on, I want everybody to put their efforts together and unite in finding a way to make superior vehicles."

Kiichiro Toyoda, Founder
Toyota Motor Corporation, May 1939

Index

Toyota Land Cruiser

Introduction

Models

Land Cruiser LC3

Land Cruiser LC4

Land Cruiser Invincible

Comfort

Land Cruiser interior details

Driving

Land Cruiser technology

Safety

Colours and trims

Exterior colours and interior trims

Technical data

Glossary

Specifications

Equipment

Customer support redefined

Drive Plans and Customer Services

Peace of mind



Toyota Land Cruiser –
the legend lives on...



home



previous



next



index



show menu



print



zoom in



zoom out



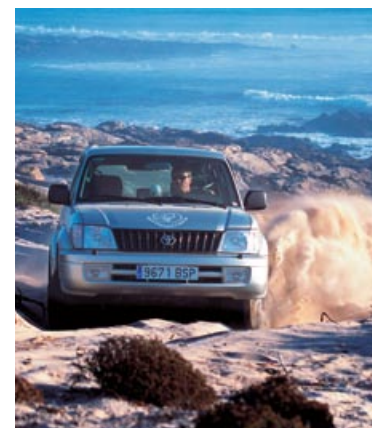
save



help



TODAY TOMORROW **TOYOTA**



Discover the legend

The Toyota Land Cruiser has become a legendary name in the exciting world of 4x4 motoring. And it's easy to see why. For more than 50 years, its name has been synonymous with technological innovation and the pursuit of excellence.

Offered with a powerful 3.0 D-4D engine, the Land Cruiser is available in five- and three-door versions and three grade levels. No other Sports Utility Vehicle in its class can match the Land Cruiser for off-road performance, power, interior space, safety and technology.

Whether deep in the country or in the heart of the city, it always delivers what it promises – an unrivalled, versatile performance enhanced by the sophistication and comforts of a premium saloon.

Toyota Land Cruiser – the legend lives on...

LC₃ – strong presence, strong performance

The Land Cruiser has evolved into one of the best examples of a practical off-roader that combines all the design, characteristics and equipment levels of a quality saloon. Wherever you want to go, it'll take you in comfort and style.

Its mature, powerful presence underlines its inherent off-road capabilities, evidenced by sophisticated full-time 4WD capability. With 'hi-low' transmission options and other technical advancements, it delivers outstanding stability and control – in all weathers and in all driving conditions.

In particular, Torsen limited slip differential provides great off-road control by 'intelligently' splitting the torque between the front and rear wheels, always favouring the wheels with the most traction. The centre differential can also be locked providing a 50:50 torque split. In addition, the LC3 model features a rear differential lock.

The Land Cruiser LC3 is offered with an efficient, powerful 3.0 litre D-4D diesel engine and the option of a five-speed electronically controlled automatic transmission (five-door only). What's more, it comes with cruise control, leather steering wheel, dual-zone climate-controlled air conditioning, advanced six-speaker CD/tuner unit, power adjustable and heated exterior mirrors – which also retract at the touch of a button for tight parking situations – front and rear parking sensors, front fog lamps, retractable headlamp washers and a metallic cover for the centre section of the rear mounted spare wheel.

On or off the road, the Land Cruiser LC3 is equipped for action.

The LC3 five-door can comfortably accommodate up to eight people.



Electric windows

Power windows have an anti-jamming feature for safe operation.



Fog lamps

Front fog lamps provide improved visibility in murky conditions.



Air conditioning

Dual-zone climate-controlled air conditioning keeps the cabin at your preferred temperature.





LC₄ – innovations deliver superior performance

When it comes to the Sports Utility Vehicle market, Land Cruiser leads the way. Its world-beating off-road performance is matched by its unrivalled power, spaciousness, safety and technology.

The LC4 model typifies its supremacy. It is equipped with a world-first feature – Hill-start Assist Control (HAC). This fully automated system, available on models with automatic transmission, prevents the car from sliding backwards when starting on an uphill slippery slope. It complements the class-leading Downhill Assist Control (DAC), which controls the car on awkward descents, stopping it from ‘running away’.

All LC4 models are fitted with Vehicle Stability Control (VSC) to help control understeer and oversteer, and Active-Traction Control (A-TRC) to prevent wheel-slip (A-TRC replaces the rear differential lock).

For comfort and convenience, the LC4 is equipped with electrically adjustable and heated front seats, leather seat facings, plus an electric tilt/slide sunroof and Optitron instrumentation. To make long road journeys even more pleasurable, it comes with an integrated radio/CD tuner with six-speaker output and Toyota’s advanced, multi-feature full colour map satellite navigation system with Electronic Traffic Avoidance. The LC4 is equipped with an underfloor-mounted spare wheel.

The Land Cruiser LC4 helps keep you out of trouble – wherever you explore.

The Land Cruiser offers world-beating off-road performance.



Sunroof
The electric tilt/slide sunroof features a shade as well as anti-trap and key-off functions.



Optitron instrumentation
Clear and easy to read, the white Optitron instrumentation provides enhanced, at-a-glance visibility.



Full colour map satellite navigation
The advanced navigation system offers 32,000 colour fine resolution mapping with lane guidance, landmarks displayed in 3D and exit lanes indicated as you approach them.



Invincible – top of the class

For more than half a century, the Toyota Land Cruiser has led the way in 4x4 technology. Now it adds to its outstanding pedigree by offering premium levels of comfort, convenience and quality to deliver a truly exceptional on- and off-roader, designed for 21st century lifestyles.

The Land Cruiser Invincible says it all. It has the power – with a hi-tech 3.0 litre D-4D diesel engine with outstanding torque. It has the technology – ABS braking with EBD, Brake Assist, Vehicle Stability Control, Active-Traction Control, Downhill Assist Control*, Hill-start Assist Control* and centre differential with diff-lock. It also has TEMS, Toyota Electronically Modulated Suspension, which automatically adjusts shock absorber settings according to driving conditions.

Adding to all this technical excellence, it also has high levels of sophistication and quality. In addition to the impressive LC4 specification, it has Bluetooth® telephone interface and dual-zone climate controlled air conditioning with front and rear controls. The superb audio system, including radio, cassette player and six-disc CD autochanger, delivers outstanding sound quality through nine speakers, and can be controlled via the steering wheel. Drivers also benefit from the convenience of an advanced full-map GPS DVD voice-navigation system with a multi-function, seven-inch colour display screen, and a rear view monitor system to aid parking in tight spaces.

Setting Invincible apart from LC3 and LC4 grades are rear privacy glass, darkened headlights, darkened front grille and unique darkened alloy wheels. Invincible is equipped with an underfloor-mounted spare wheel.

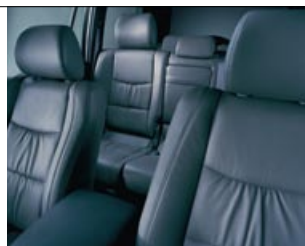
With Toyota's three-year/60,000-mile mechanical and paint warranty, plus a 12-year anti-corrosion guarantee, you can be assured that the Land Cruiser legend will live on.

* Automatic only.



Leather upholstery

The comfortable seats feature leather facings, adding an extra luxurious feel.



Rear-view monitor system

A valuable aid to reversing is the Invincible's innovative rear-view monitor system. Once reverse gear is engaged, a wide-angle TV camera on the back door transmits the rearward view to the multi-display screen in front of the driver.



EMV display screen

The seven-inch EMV display screen offers a range of functions, including audio and air conditioning operation and full map DVD satellite navigation system with Electronic Traffic Avoidance.



Option pack

In-Car Entertainment*

It plays DVDs, CDs and MP3s, connects to a games console and even has a USB connection. You can watch a DVD on one screen while a game is being played on the other and wireless infrared headphones provide superb sound quality.

* Option packs must be specified at point of order of your vehicle.



home



previous



next



index



show menu



print



zoom in



zoom out



save



help



TODAY TOMORROW **TOYOTA**



In the comfort zone

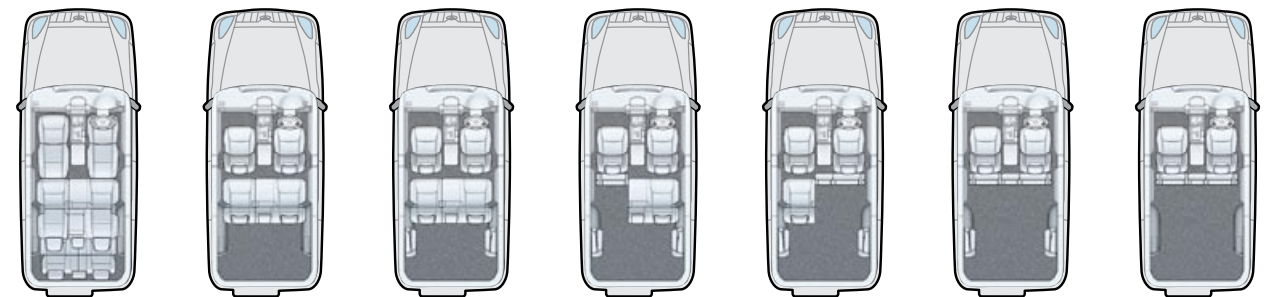
The first things that strike you when you step inside a Land Cruiser are the sense of space and the sheer quality of your surroundings. You immediately feel comfortable and at home. The cabin is wide and long, giving you extra leg and shoulder room. So there's even more space to accommodate up to eight adults in the five-door versions and up to five in the three-door models.

Velour or leather seat facings, air conditioning and advanced noise insulation all ensure that every occupant enjoys a quiet, comfortable ride experience, complemented by Land Cruiser's

outstanding suspension and handling qualities.

For comfort, the front seats are multi-adjustable with lumbar support and, on the top two models, heated as well. The rear seats are multi-functional, giving you a wide variety of passenger and cargo configurations. The second row of seats offers a 60:40 split/fold capability while, on the five-door version, the third row has a 50:50 split/fold capability and is removable.

The Land Cruiser – absolute proof that comfort never has to be compromised in a 4WD.



Such flexibility – the five-door Land Cruiser gives you a range of passenger and load options, from a full eight-seater to maximum carrying capability.



A controlled experience

Driving a 4WD is a different experience to everyday motoring. More than ever, you need to be in absolute control – and feel in control. Which is why the Land Cruiser has been designed throughout with the driver in mind, to give you extra reassurance and confidence.

It starts by making you a comfortable driver with the telescopic tilt-adjustable steering column and multi-adjustable, ergonomically-designed driver's seat, and by placing all controls and instruments within easy reach and sight to minimise driver distraction. Optitron instruments on the top two Land Cruiser grades, for example, deliver outstanding clarity.

For supreme comfort, the front seats have an eight-way adjustable facility and lumbar support (powered and heated depending on grade).

Rear-seat passengers can adjust air flow.

Invincible interior illustrated above.



Leading the way in 4WD technology

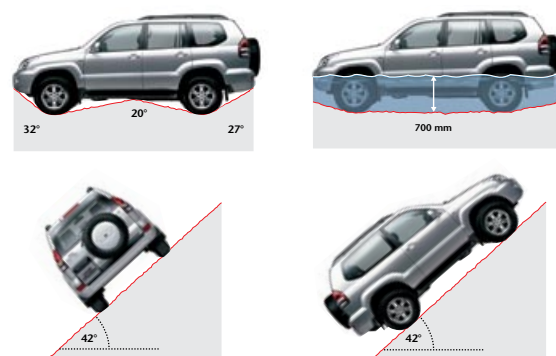
Sophisticated technology, particularly to aid vehicle control and improve ride comfort and safety, is at the heart of the Land Cruiser's appeal, and underlines its class-leading status.

With its permanent 4WD system, interchangeable 'hi-low' transfer gearbox ratios and 'intelligent' Torsen centre limited slip differential, the Land Cruiser delivers first-class traction on all surfaces. This ability is further enhanced by Active-Traction Control (A-TRC), which directs the most power to the wheels with the most traction (available on LC4 and Invincible).

Off-road performance is made even more secure by the world-first Hill-start Assist Control (HAC), which automatically applies the brakes for a few seconds to prevent back-slip on hill-starting, and by Downhill Assist Control (DAC). Using wheel direction sensors, DAC slows the vehicle on downward slopes, stopping it from 'running away' (available on LC4 and Invincible).

Ride comfort, handling and stability are all improved on Invincible models by the Toyota Electronically Modulated Suspension (TEMS) which, by automatically adjusting shock absorber settings to suit driving conditions, controls body roll and provides better feedback for the driver. TEMS is integrated with a rear air suspension system featuring active body height adjustment with automatic levelling that provides a smoother ride whilst maintaining the body at a constant height, irrespective of passenger numbers and cargo load.

The Land Cruiser – technologically advanced for exceptional performance.



Off-road capabilities

With its class-leading 4WD technology, the Land Cruiser can take you wherever you want to go.

Approach angle

3-door – 32°
5-door – 32°

Departure angle

3-door – 30°
5-door – 27°

Climbing angle

3-door – 42°
5-door – 42°

Ramp over angle

3-door – 24°
5-door – 20°

Wading capability

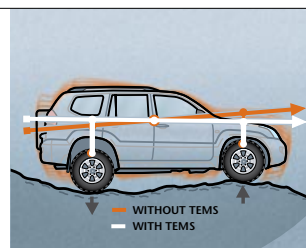
3-door – 700 mm
5-door – 700 mm

Traversing angle

3-door – 42°
5-door – 42°

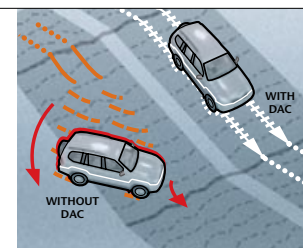
Toyota Electronically Modulated Suspension (TEMS)

Toyota's advanced TEMS system delivers a stable, comfortable ride in both on- and off-road situations (Invincible).



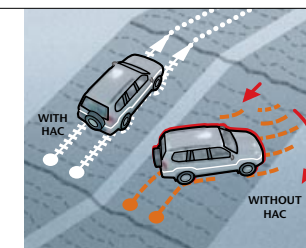
Downhill Assist Control

Driver-operated Downhill Assist Control prevents the vehicle 'running away' on slippery slopes (LC4 & Invincible automatic models).



Hill-start Assist Control

A world-first innovation, Hill-start Assist Control means no more back-sliding when starting on slippery inclines (LC4 & Invincible automatic models).





Safety matters

Safety is a prime consideration with all Toyota vehicles. The Land Cruiser is a perfect example.

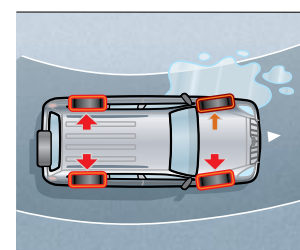
Through the use of high-strength, tensile steel, the bodies are supremely strong and rigid to absorb impact energy.

Advanced seat belt technology, with pre-tensioners and force-limiters, is complemented by the comprehensive SRS airbag protection system. Two-stage front airbags are supplemented by side airbags and by front and second row curtain shield airbags.

Primary safety features include ABS braking with EBD (Electronic Brake Force Distribution), Brake Assist and, depending on model, Vehicle Stability Control, Traction Control, Hill-start Assist Control and Downhill Assist Control – everything, in fact, to make the Toyota 4WD experience safe and more enjoyable.

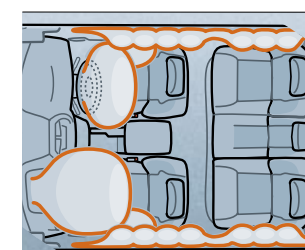
For even greater peace of mind, every Land Cruiser comes with engine immobiliser, alarm, remote central double locking, window etching, parts marking and locking wheel nuts.

Toyota safety systems – protecting you, your family and your Land Cruiser.



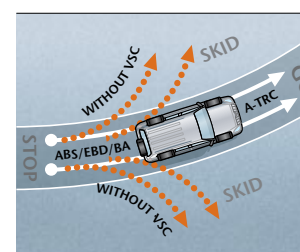
Anti-lock Brake System (ABS) with Electronic Brake Force Distribution (EBD)

ABS with EBD gives the Land Cruiser a high level of safe braking performance.



SRS airbags

Together with dual two-stage front airbags, side and curtain airbags afford maximum occupant protection.



Vehicle Stability Control (VSC) and Active Traction Control (A-TRC)

Sophisticated safety features, including ABS with EBD and BA – plus VSC and TRC on LC4 and Invincible – make driving the Land Cruiser all the more reassuring.



Crash resistant bodyshell

The strong, rigid frame incorporates high levels of energy-absorbing material to reduce the effects of frontal, rear and side impacts.



Technology made simple

Toyota's worldwide reputation for reliability and durability has been built on the back of its technical expertise and innovation. Here is a straightforward guide to the advanced technology that makes the Land Cruiser such an outstanding performer, on and off the road.

For a full technical explanation, please consult your local Toyota Centre.

Active Traction Control (A-TRC)

Developed for both on- and off-road use, A-TRC is designed to reduce wheel-spin in slippery conditions by using computer technology to control engine output and brake fluid pressure. After detecting wheel-spin, it distributes the drive force, lost through the slippage, to the wheels having traction. In other words, it automatically delivers more power to the wheels with more traction, giving you greater control.

Air suspension

Air suspension replaces conventional suspension springs with rubber bellows filled with compressed air. This provides superior ride comfort, as well as the ability to change the car's body height by controlling the amount of air inside the bellows. In the Land Cruiser Invincible, there is an automatic levelling feature, which maintains the body at a constant height, irrespective of the number of passengers and cargo. At the touch of a button, air suspension can raise or lower the ride height by 30 mm (60 mm in total).

Anti-lock Braking System (ABS)

ABS uses a hydraulic control unit with four active electronic sensors to prevent the wheels from 'locking' during braking, especially sudden braking. By helping to maintain vehicle stability and enhance steering performance, it is a key safety feature. The ABS system is the heart of all electronic handling features.

Bluetooth® telephone interface

Bluetooth®'s advanced wireless technology gives you complete hands-free control of your Bluetooth®-compatible mobile phone,

enabling you to make calls, scroll through the phone book and carry out other functions of the phone. A Bluetooth® unit, consisting of an antenna and a module, is integrated into the multi-display, and when activated via a steering wheel control, 'takes over' all the services of your phone – without any wired connections. A microphone is installed in the overhead console and a speaker is mounted in the driver's door.

Body-on-frame construction

All Land Cruisers are built using body-on-frame technology to produce a more rigid and robust chassis, capable of withstanding the use and abuse of the severest off-road conditions. Unlike monocoque chassis construction, body-on-frame can withstand higher stress without suffering permanent deformation, which would compromise the vehicle's handling.

Brake Assist

Brake Assist senses when the driver is attempting an emergency stop by monitoring driver brake effort. It then applies additional brake fluid pressure for maximum braking performance, maintaining the extra pressure until the system detects intentional relaxation of the brake pedal.

Downhill Assist Control (DAC)

Driver-operated, DAC slows the vehicle on slippery downhill slopes to help regain control and prevent vehicle 'run-away'. An improvement on existing systems, it uses individual wheel-direction sensors to maintain slower, controlled speeds, whether going forwards or backwards. It can even be activated when the gear is in neutral.

Differential locks – centre and rear

For difficult off-road conditions, the centre differential can be locked to provide a permanent torque distribution of 50% to the front wheels and 50% to the rear ones, thereby delivering more even traction. The rear differential with electric lock, ensures power is distributed to both rear wheels, for heavy off-road usage.

Electronic Brake-force Distribution (EBD)

Using the ABS control unit and sensors, EBD automatically applies the correct braking force to each wheel to compensate for different loads when cornering or heavy straight-line braking.

Electronic Multi-Vision (EMV)

EMV is the driver's 'window' and control for a variety of in-car functions. On its touch-sensitive, seven-inch colour screen are displayed audio settings and selections, air conditioning status with temperature control function, screen brightness adjustment, and full-mapping DVD-based satellite navigation system.

Hill-start Assist Control (HAC)

A world-first, HAC is a fully automated control that prevents the vehicle from slipping backwards when starting on a slippery uphill slope. Without it, the driver must quickly switch from the brake to the accelerator, allowing time for backward slippage. To prevent this happening, HAC temporarily applies all four brakes, ensuring a more assured start.

Optitron instrumentation

Optitron replaces traditional instrument panel illumination with individual LEDs (Light Emitting Diodes) on every figure and indicator needle. Located behind a low-reflection, smoked acrylic face, they provide outstandingly clear readability, whatever the light conditions. They also add a more refined appearance to the instrument panel.

Rear-view monitor system

As soon as the driver selects reverse gear, a back-door-mounted colour TV camera, using a charge coupled device and wide-angle lens, transmits the rear view, via a special camera control, to the multi-display screen on the centre console. The system is an aid to reversing and parking – never depend on it entirely when backing up and never reverse while looking only at the screen.

Toyota Electronically Modulated Suspension (TEMS)

This semi-active suspension system automatically adjusts shock absorber settings to suit driving conditions. It continually monitors a variety of vehicle operation signals, which after processing are sent to actuators at each of the four shock absorbers. These then constantly control the damping forces of the shock absorbers through 11 different control commands.

Torsen LSD centre differential with diff-lock

This uniquely designed Limited Slip Differential (LSD) ensures an 'intelligent' torque split between front and rear wheels, always favouring the wheels with most traction. If, for example, the front wheels are spinning faster than the rear ones, more power will be automatically transferred to the rear ones until a maximum is reached. For more difficult off-road conditions, the differential can be locked, providing a permanent torque distribution to front/rear wheels.

Vehicle Stability Control (VSC)

VSC minimises the effects of oversteer and understeer by automatically sensing when the vehicle starts to lose tyre grip due to a sudden steering movement or change in the road surface. It then applies the brakes to individual wheels and reduces engine output to compensate.



Colours and trims

Metallic paint is available as a cost option on Land Cruiser.
Models shown below are Land Cruiser LC3.

056 Arctic White



202 Astral Black



3Q8 Ember Red*



8S6 Dark Blue*



1E9 Graphite Grey*



1D4 Argenta*



* Metallic paint.

COLOURS AND TRIMS

Seat material colour	LC3		LC4 and Invincible	
	Yosemite velour	Redwood velour	Yukon leather	Sequoia leather
056 Arctic White	•	◦	•	◦
202 Astral Black	•	◦	•	◦
3Q8 Ember Red*	◦	•	◦	•
8S6 Dark Blue*	•	◦	•	◦
1E9 Graphite Grey*	•	◦	•	◦
1D4 Argenta*	•	◦	•	◦

• = Standard ◦ = Optional



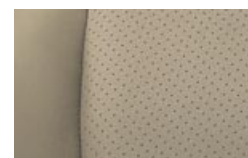
Yosemite velour



Redwood velour



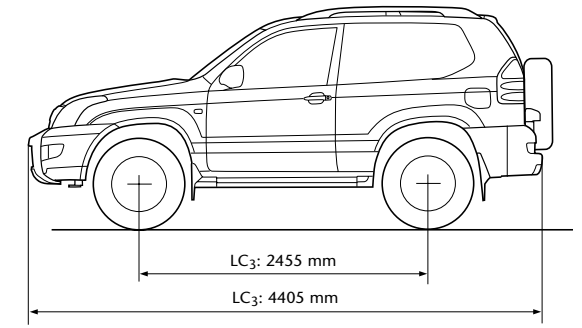
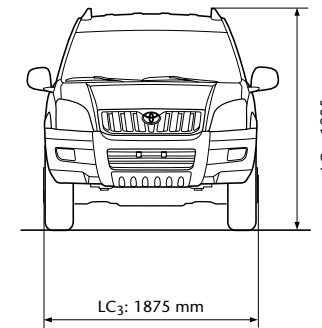
Yukon leather



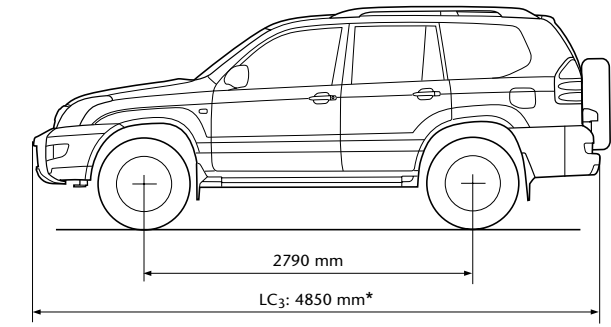
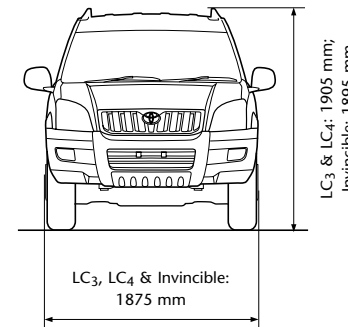
Sequoia leather

Specifications

Land Cruiser – three-door



Land Cruiser – five-door



* LC4 & Invincible with underbody spare wheel: 4715 mm.

All Land Cruiser measurements include roof rails but not wing mirrors.

DIMENSIONS

	Land Cruiser 3-door	Land Cruiser 5-door
Interior dimensions		
Length (mm)	1805	2520
Width (mm)	1535	1535
Height (mm)	1260	1260 (LC4 & Invincible: 1220)
Cargo area length (mm)	1145	1585
Cargo area width (mm)	1430	1460
Cargo area height (mm)	1095	1120
Exterior dimensions		
Minimum ground clearance (mm)	222	222
Turning radius (m)	5.2	5.7
Wheel size	265/65 R17	265/65 R17

TRANSMISSION

		3.0 litre D-4D 6 M/T	3.0 litre D-4D 5 A/T
3-door	LC ₃	•	–
5-door	LC ₃ LC ₄ Invincible	• • •	• • •

ENVIRONMENTAL PERFORMANCE

Fuel consumption		3.0 litre D-4D 6 M/T	3.0 litre D-4D 5 A/T
Combined mpg (litres/100 km)	3-door Land Cruiser	31.0 (9.1)	–
	5-door Land Cruiser	30.7 (9.2)	31.4 (9.0)
Extra urban mpg (litres/100 km)	3-door Land Cruiser	35.8 (7.9)	–
	5-door Land Cruiser	35.3 (8.0)	37.7 (7.5)
Urban mpg (litres/100 km)	3-door Land Cruiser	25.4 (11.1)	–
	5-door Land Cruiser	25.2 (11.2)	24.6 (11.5)
Recommended fuel grade		diesel	diesel
Fuel tank capacity (litres)		87	87
Carbon dioxide CO ₂ (g/km)	3-door Land Cruiser	240	–
	5-door Land Cruiser	243	238

PERFORMANCE

		3.0 litre D-4D 6 M/T	3.0 litre D-4D 5 A/T
Maximum speed* mph		109	109
Acceleration 0–62 mph (sec)		11.5	11.2

WEIGHTS

		3.0 litre D-4D 6 M/T	3.0 litre D-4D 5 A/T
Kerb weight (kg) (min–max)	3-door Land Cruiser	1850–2020	–
	5-door Land Cruiser	1990–2180	2000–2190
Gross vehicle weight (kg) (max)	3-door Land Cruiser	2600	–
	5-door Land Cruiser	2850	2850
Axle capacity (kg) (front–rear)		1290–1800	1290–1800
Towing capacity with brakes (kg)		2800	2800

PHYSICAL CAPABILITIES

	Land Cruiser 3-door
Angle of approach (degrees)	32
Angle of departure (degrees)	30
Ramp over angle (degrees)	24

ENGINE

	3.0 litre D-4D
Engine code	1KD-FTV
Number of cylinders	4 in line
Valve mechanism	DOHC
Fuel injection system	Direct injection with common rail
Displacement (cc)	2982
Bore x stroke (mm)	96 x 103
Compression ratio	17.9:1
Maximum output (kW/rpm)	127 (173 DINhp)/ 3400
Maximum torque (Nm/rpm)	410/1600–2800

SUSPENSION

Front	Double wishbone, coil spring (Invincible includes TEMS)
Rear	4-link w. coil spring (Invincible with air spring & TEMS)

BRAKES

Front	Ventilated disc
Rear	Ventilated disc

Equipment

AUDIO

Grade	LC ₃	LC ₄	Invincible
Audio, integrated unique fit with Liquid Crystal Display	•	•	•
AM/FM radio with preset settings	•	•	•
RDS with PTY & EON settings	•	•	•
Cassette player	–	–	•
CD player, single disc	•	•	–
CD autochanger, glovebox mounted	–	–	•
Speakers – 6	•	•	–
Speakers – 9	–	–	•
Audio controls, steering wheel mounted	–	–	•
Radio aerial, glass integrated	•	•	•

BODY EXTERIOR

Grade	LC ₃	LC ₄	Invincible
Door handles & mirrors, colour-keyed	•	•	•
Front grille, darkened chrome effect	–	–	•
Darkened headlamps	–	–	•
Mud flaps	•	•	•
Metallic paint	•	•	•
Side steps	•	•	•

BRAKES

Grade	LC ₃	LC ₄	Invincible
ABS – electronically controlled with Electronic Brake Force Distribution	•	•	•
Front disc brakes – ventilated	•	•	•
Rear disc brakes – ventilated	•	•	•
Brake Assist System	•	•	•

CONVENIENCE

Grade	LC ₃	LC ₄	Invincible
Toyota In-Car Entertainment	–	–	•
Full colour map GPS navigation system with Electronic Traffic Avoidance (ETA)	–	•	–
Full colour map GPS navigation system with Electronic Traffic Avoidance (ETA) & rear view monitor system	–	–	•
Front & rear parking sensors	•	•	•
Bluetooth® telephone interface	–	–	•
Cruise control	•	•	•
Driver's footrest	•	•	•
Courtesy light, remote operation with delay	•	•	•
Fuel cap, remote release	•	•	•
Accessory power socket, front & rear	•	•	•
Ashtray & cigar lighter	•	•	•
Vanity mirrors, driver and front passenger, with cover & illumination	•	•	•

INSTRUMENTS

Grade	LC ₃	LC ₄	Invincible
Automatic transmission mode indicator (option linked to automatic transmission)	•	•	•
Tachometer	•	•	•
Fuel indicator with low fuel warning	•	•	•
Water temperature indicator	•	•	•
Engine temperature warning	•	•	•
Engine management warning	•	•	•
Lights on warning	•	•	•
Door ajar warning	•	•	•
Key in warning	•	•	•
Passenger seat belt warning indicator	•	•	•
Outside temperature display	•	•	•
Instrument display dimmer	•	•	•
Digital odometer with two trip meters	•	•	•
Digital clock	•	•	•
Differential & transfer indicator	•	•	•
Optitron instruments	–	•	•

INTERIOR TRIM

Grade	LC ₃	LC ₄	Invincible
Gear shift knob – leather trimmed	–	•	•
Fascia, brushed aluminium effect with brown wood effect inserts	•	•	–
Fascia, brushed aluminium effect with real black wood inserts	–	–	•
Black wood & leather steering wheel	–	–	•
Door switch – aluminium effect	•	•	•

LIGHTS

Grade	LC ₃	LC ₄	Invincible
Fog lamps – front & rear	•	•	•
Halogen headlamps with levelling	•	•	•
High mounted stop lamp	•	•	•
Interior light – front, centre & rear	•	•	•
Headlamp washers	•	•	•

LOCKS

Grade	LC ₃	LC ₄	Invincible
Central double locking with remote activation	•	•	•
Transponder key engine immobiliser	•	•	•
Remote alarm with perimeter & microwave interior protection	•	•	•
Security window etching linked to 24hr ISR helpline	•	•	•
Steering column lock	•	•	•
Vehicle parts marking – major parts traceable to VIN	•	•	•

LOAD SPACE

Grade	LC ₃	LC ₄	Invincible
Fully trimmed boot	•	•	•
Rear tonneau cover	• (3-dr) / * (5-dr)	*	*
Luggage area illumination	•	•	•

• = Standard • = Optional – = Not available * = Centre option

ROOF

Grade	LC ₃	LC ₄	Invincible
Sunroof – electric tilt/slide with shade, one touch anti-trap & key-off function	–	•	•
Roof rails	•	•	•

STORAGE

Grade	LC ₃	LC ₄	Invincible
Glovebox – illuminated & lockable	•	•	•
Front seatback pocket – driver & passenger side	•	•	•
Storage box – central tunnel & doors	•	•	•
Cup holder – front & rear	•	•	•

SAFETY

Grade	LC ₃	LC ₄	Invincible
Airbags – SRS two-stage driver & front passenger	•	•	•
Airbags – SRS roof mounted front & rear	•	•	•
Airbags – SRS driver & front passenger, lateral	•	•	•
3-point seat belts – all seats with Emergency Locking Retractor	•	•	•
3-point seat belts – 2nd & 3rd row seats with ELR & ALR	•	•	•
Seat belts – front, with pre-tensioner & force-limiter	•	•	•
Seat belts – front, height adjustable	•	•	•
Child seat fixings – ISOFIX	•	•	•
Seat integrated front seat belt anchorage & support	•	•	•
Side impact beams on all side doors	•	•	•
Energy absorbing crumple zones front & rear	•	•	•
Childproof locks on rear doors	• (5-dr only)	•	•

SEATS

Grade	LC ₃	LC ₄	Invincible
Lumbar support – driver seat lumbar & height adjustable	•	•	•
Multi adjustable front seats – manual	•	–	–
Multi adjustable front seats – electric	–	•	•
Heated driver & front passenger seat	–	•	•
50:50 split/fold 3rd row seats (detachable)	• (5-dr only)	•	•
60:40 split/fold 2nd row seats	•	•	•
5-seat capacity	• (3-dr only)	–	–
8-seat capacity	• (5-dr only)	•	•
Recline function on 2nd row seats (8-seat model)	• (5-dr only)	•	•
Armrests – front & rear	•	•	•
Seat trim – velour	•	–	–
Seat trim – leather seat facings	–	•	•

STEERING

Grade	LC ₃	LC ₄	Invincible
Power assisted steering – electrically controlled	•	•	•
Adjustable steering column – tilt & telescopic	•	•	•
Energy absorbing, deformable & retracting steering column	•	•	•
Steering wheel with leather trim	•	•	–
Black wood and leather steering wheel with audio controls	–	–	•

• = Standard ◦ = Optional – = Not available

SUSPENSION

Grade	LC ₃	LC ₄	Invincible
TEMS (Toyota Electronically Modulated Suspension) – semi active suspension	–	–	•
Active Height Control system	–	–	•
Double wishbone – front	•	•	•
4-Link lateral with rod – rear	•	•	•

TRANSMISSION

Grade	LC ₃	LC ₄	Invincible
Vehicle Stability Control	–	•	•
Traction Control	–	•	•
Limited slip differential	•	•	•
Differential locks – centre	•	•	•
Differential locks – rear	•	–	–
4WD	•	•	•
6-speed manual	•	•	•
5-speed automatic	◦	◦	◦
Downhill Assist Control (DAC)	–	• (auto only)	• (auto only)
Hill-start Assist Control (HAC)	–	• (auto only)	• (auto only)

VENTILATION

Grade	LC ₃	LC ₄	Invincible
Air conditioning system – dual-zone climate control (driver & passenger controls)	•	•	–
Air conditioning system – dual zone climate control with front & rear controls	–	–	•
Air re-circulation function – electronic	•	•	•
Clean air filter	•	•	•

VISIBILITY

Grade	LC ₃	LC ₄	Invincible
Front wipers – twin speed & variable intermittent with mist function	•	•	•
Front & rear windows – electric with ‘one-touch’ & anti-trap mechanism	• (5-dr only)	•	•
Sun visors – driver & front passenger	•	•	•
Rear screen – heated	•	•	•
Rear wipers – intermittent & continual sweep	•	•	•
Exterior mirrors – colour-coded, electrically adjustable, heated & retractable	•	•	•
Glass – green tinted	•	•	•
Glass – rear privacy glass	–	–	•

WARRANTY

Grade	LC ₃	LC ₄	Invincible
Three-year/60,000-mile mechanical warranty	•	•	•
Three-year unlimited mileage paint warranty	•	•	•
Twelve-year unlimited mileage anti-corrosion perforation warranty	•	•	•

WHEELS

Grade	LC ₃	LC ₄	Invincible
17" 6-spoke alloy wheels with locking wheel nuts on 265/65R17 tyres	•	•	–
17" 6-spoke darkened alloy wheels with locking wheel nuts on 265/65R17 tyres	–	–	•
Full size spare wheel	•	•	•
Spare wheel tailgate mounted	•	–	–
Spare wheel underbody mounted	–	•	•
Metallic centre section spare wheel	•	–	–



Flexible Finance from Toyota Financial Services



When choosing your new Land Cruiser you will make sure you choose the right model, the right specification and the right colour to suit you. Choosing how you finance your Land Cruiser is just as important.

Our range of finance plans have been designed with simplicity in mind to make funding your Land Cruiser as easy as driving it. All our plans offer easy budgeting and peace of mind and AccessToyota brings these and other benefits together in one flexible package.

AccessToyota is a finance plan that puts you in control. You don't have to worry about finding a large deposit as you agree the amount of deposit that you want to pay and choose your repayment term from 2 to 3 years.

What makes AccessToyota different is that Toyota Financial Services (TFS) give your Land Cruiser the security of a guaranteed future value (GFV) which is your optional final payment, deferred to the end of the agreement. Affordable monthly payments are yours to enjoy as your repayments are based on the vehicle selling price less your deposit and the GFV/optional final payment, plus the cost of borrowing.

In addition, you can have reassurance against the risk of a fall in used vehicle prices, knowing the minimum amount your Toyota

will be worth at the end of your agreement is guaranteed with TFS.

Then when your agreement comes to an end you have three flexible choices:

- Part exchange your Land Cruiser for a brand new Toyota
- Pay your final payment (the GFV) and take full ownership of the vehicle*
- Simply hand the vehicle back with nothing more to pay[§]

Ask your Toyota Centre to show you how AccessToyota could be the best choice for you.

Flexible Finance for all Toyota Customers

Whatever your needs, to complement AccessToyota, TFS has a full range of finance options to offer. From traditional Hire Purchase to Contract Hire and Leasing.

Whether you're a private motorist with a fixed monthly budget in mind or business customer looking for VAT efficient funding options, just discuss your individual requirements with your Toyota Centre. They will be pleased to show you how convenient and competitive Toyota Financial Services can be.

* When you pay the option to purchase fee.
[§] Subject to mileage and fair wear and tear conditions being met.

Finance subject to status to over 18s only. Indemnities may be required. Terms and conditions apply. Toyota Financial Services is authorised and regulated by the Financial Services Authority. Toyota Financial Services, Great Burgh, Burgh Heath, Epsom, Surrey, KT18 5UZ.

Customer services

Club Toyota

When you buy a Toyota you automatically become a member of Club Toyota, for 12 months free of charge. This entitles you to take advantage of a host of benefits including free RAC Roadside Assistance in the UK and Europe, specially negotiated rates for travel insurance, a 5% discount off Toyota Motor Insurance, plus exclusive offers and promotions through our quarterly customer magazine. For further information please call 0845 275 5555 or visit toyota.co.uk/club

Toyota Motor Insurance

Toyota Motor Insurance is available for Toyota owners at competitive premiums. To obtain details of the benefits included and to arrange a quotation, please contact your local Toyota Centre or call 0800 350 500.

Toyota Fleet

Toyota Fleet provides complete business solutions for companies that run a fleet of vehicles. For more information on how Toyota Fleet can deliver your fleet requirements either contact your local Toyota Centre or the Toyota Fleet Business Centre on 0845 271 2712.

Toyota Warranties

Every new Toyota comes with a three-year/60,000-mile manufacturer's warranty, covering your car against the unlikely event of a manufacturing defect causing a mechanical fault. It includes coverage for paint and surface rust for three years, unlimited mileage and a 12-year anti-perforation warranty. After the initial warranty period has ended, you can extend your warranty until the vehicle is seven years old – choosing from a range of packages



Whilst every effort is made to reproduce accurate information, we reserve the right to change specifications, equipment and availability without prior notice. This brochure cannot be regarded as infallible (some of the vehicles shown may not be to exact UK specification), and as such does not constitute an offer for sale of any particular vehicle or specification. Fuel consumption values quoted throughout this brochure are determined according to EC Directive 1999/100/EC. The results do not express or imply any guarantee of actual fuel consumption. For the latest specifications and availability we ask that you contact your local Toyota Centre.

to suit your vehicle and your needs. All of our warranties cover the main component parts of the vehicle*, meaning that you pay for nothing beyond routine servicing and maintenance, so there are no unexpected bills to pay.

Toyota Accident Assistance

At Toyota, we believe that our customers deserve the best possible care. Therefore if you are involved in an accident, one call to Toyota Accident Assistance will get you back on the road again, whilst we take care of liaising with your insurer and arranging for your car to be repaired. By making us your first call, we will ensure your vehicle is repaired by Toyota to factory standards, meaning no compromise to your warranty or residual value.

Toyota Approved Used Car Scheme

All Toyota Approved Used vehicles come complete with a pre-delivery inspection, a mileage check, 12 months warranty, RAC breakdown cover, Club Toyota membership[§] and a 30 day vehicle exchange plan.

Recycling Toyota End-Of-Life Vehicles

We offer a free vehicle take back scheme through our appointed service provider, Autogreen. This is a new and innovative way for Toyota drivers to return their vehicle at the end of its life for dismantling and recycling. For more information about End-Of-Life Vehicles please refer to www.toyota.co.uk/environment

* With the exception of batteries, corrosion of exhaust and damage or wear to the interior.
Please refer to our Terms and Conditions for full details.
[§] Except on non-Toyota vehicles.





Land Cruiser evolution. Toyota peace of mind

The new Land Cruiser is designed for all those who want to get a little extra out of life. That's why you can expect a lot more than a sophisticated driving experience. Owning a Land Cruiser means you enjoy the peace of mind afforded by Toyota's global reputation for quality and integrity.

On the day you purchase your Land Cruiser, your retailer will present you with the 'Land Cruiser Passport'. It's a guide to getting the best out of your Land Cruiser and its comprehensive range of features. Of course, your retailer will explain the Land Cruiser to you in detail – and always be available should you require any assistance.

Intelligent design

The Land Cruiser is designed and engineered to minimise the maintenance overhead. There are fewer parts that require servicing and those that do are inherently durable to extend service intervals. Equally important is that Land Cruiser technology is made easily accessible so that maintenance labour time can be minimised. These features combine with the highly competitive pricing of Toyota spares to ensure the lowest cost of maintaining your

Land Cruiser in an ideal working condition.

Toyota quality service

Your Toyota retailer will talk you through the Land Cruiser 'Health and Safety' maintenance programme. The programme is very straightforward and designed for your convenience. In effect, your Land Cruiser needs a full Health and Safety check, dependent on driving style and conditions, up to once every two years or 20,000 miles (whichever comes sooner). An intermediate Health and Safety check is necessary every year or 10,000 miles.

Toyota warranty

Comprehensive terms

The warranty covers any defect caused by a manufacturing or assembly fault. It is valid for three years of normal use or 60,000 miles, whichever comes first, with no mileage limitation for the first year. If the car is immobilised due to a breakdown (as a result of a defect covered under warranty), you will also be covered for the cost of towing your vehicle to the nearest authorised Toyota repairer.

Rust and paint defects

The warranty also covers surface rust and paint defects appearing on any of the painted body panels as a result of a fault in material for a period of 3 years, regardless of mileage.

Corrosion cover

The warranty offers 12 years' coverage, regardless of mileage, against perforation of the bodywork (from inside to outside) that develops due to corrosion caused by faults in material or workmanship.

Toyota genuine parts

The Land Cruiser is designed to minimise the cost of accident repair. Energy absorbing elements are built into the bumpers, expensive to replace parts are located away from damage zones, and commonly damaged body parts are bolted rather than welded. As a result, the extent of damage is limited and damaged parts are easy to remove, replace or repair. Ultimately, this means very low part and labour charges.

Whilst every effort is made to reproduce accurate information, we reserve the right to change specifications, equipment and availability without prior notice. This brochure cannot be regarded as infallible (some of the vehicles shown may not be to exact UK specification), and as such does not constitute an offer for sale of any particular vehicle or specification. Fuel consumption values quoted throughout this brochure are determined according to EC Directive 1999/100/EC. The results do not express or imply any guarantee of actual fuel consumption. For the latest specification and availability we ask that you contact your local Toyota Centre.

Added security

The Land Cruiser's security system withstands the insurance industry's rigorous five-minute attack test and provides excellent protection. Both the alarm system and engine immobiliser are approved by Europe's major insurance companies.

Toyota accessories

Toyota accessories are designed and manufactured with the same care, quality and attention to detail as Toyota vehicles. Tailor-made for your Toyota, they fit perfectly and add a personal touch of style, comfort or practicality. And because they've been tested under the most severe conditions, you can have complete confidence in their reliability and durability. To add to the reassurance, every genuine Toyota accessory has a three-year warranty*.

* Check with your retailer for specific warranty details.



help

Using the navigation bar

A navigation bar is provided at the bottom of each page of this e-brochure to make browsing it easy. Please follow the simple instructions on the right to navigate through this e-brochure.



Takes the document back to the beginning.



This will take the document to the previous page.



This will take the document to the next page.



This will allow the Acrobat toolbar to be visible if pressed once and it will also make it disappear if already visible.



This will zoom in on the document so smaller text etc will be easier to read. To zoom in further, click the icon again. If the menu bar is not visible then use your mouse by clicking the left hand button and moving it.



This will zoom out of the document. To zoom out further, click the icon again. If the menu bar is not visible then use your mouse by clicking the left hand button and moving it.



This will print out the full brochure to your printer. Please note that if you have a colour printer this document will print in full colour.



This will save the whole document to your computer.

To close this document press esc and then close the document normally.

Whilst every effort is made to reproduce accurate information, we reserve the right to change specifications, equipment and availability without prior notice. This e-brochure can not be regarded as infallible, (some of the vehicles shown may not be to exact UK specification), and as such does not constitute an offer for sale of any particular vehicle of specification. For the latest specification and availability we ask that you contact your local Toyota Centre.



home



previous



next



index



show menu



print



zoom in



zoom out



save



help

