



The Unimog

U300/U400/U500



Mercedes-Benz

The Unimog Concept

Getting through where others give up

Where even all-wheel drive trucks reach their limits and tractors can't go any further, a totally different kind of work and tractor vehicle has to take over: the Unimog. It embodies the meaning of versatility and viability on four wheels. The Mercedes-Benz Unimog is a vehicle in a league of its own. It provides solutions which no other vehicle worldwide can offer. The Unimog is much more versatile than any other with its attachment and mounting areas at the front, middle and rear. It is also much more at home on off-road terrain than any other vehicle, and can drive at fast speeds on roads as a transporter. The Unimog is an uncompromising professional for uncompromising professionals. Superior in every situation and over any terrain.

Contents

Model Range U 300/U 400/U 500	4-5
Chassis Expertise	6-9
Vehicle Drive	10-13
System and Implement- Carrying Expertise	14-17
Mechanical Drives for Implements	18-19
Hydraulic Drives for Implements	20-23
Easy to Operate and Ergonomic	24-25
Panoramic Cab	26-27
Economic Efficiency and the Environment	28-29
Worldwide Service	30-31
Looking to the Future	32-33





Versatility beyond Compare

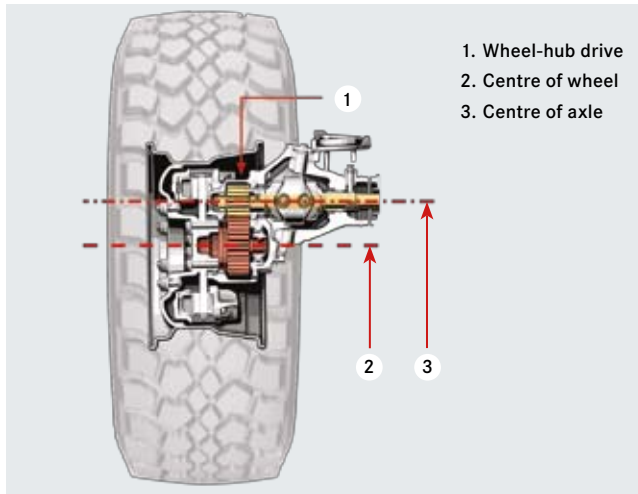
Whether mowing, clearing or cutting snow, gritting, cleaning, sweeping or transporting – the Unimog U 300/U 400/U 500 can do it all: It can be equipped more individually than any other mass-produced vehicle. Four attachment and mounting areas provide almost endless possibilities. It is more versatile and reliable off-road than any all-wheel drive truck, with its top speed of up to 90 km/h, faster and proven to use up to 40% less fuel than a tractor. As a professional implement carrier over 7.5 t max. weight, the Unimog U 300/U 400/U 500 gives unrivalled top performances. Designed especially for professionals who appreciate top performance and cost-effective running in a single vehicle, all-year-round.

Chassis Expertise

Where others get wheelspin, the Unimog really gets going. With portal axles, permanent all-wheel drive, differential locks, extreme axle articulation and reduction gears for off-road the U 300/U 400/U 500 can do everything you expect of a true Unimog in difficult terrain. It accepts every challenge – also off the beaten track.



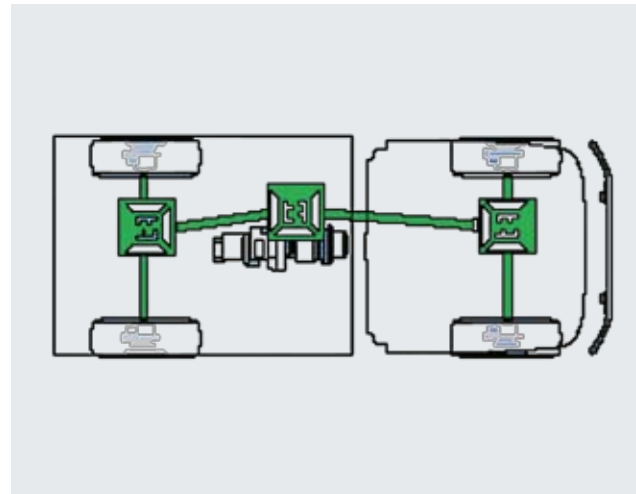




Portal axles provide outstanding ground clearance combined with large volume tyres

Portal axles. Cope with any kind of terrain. Portal axles give the Unimog U 300/U 400/U 500 its outstanding ground clearance for difficult off-road conditions and – thanks to its high maximum axle load – even with attached or mounted implements. The axle steering guide with integrated anti-roll bars ensures stable handling, has only slight roll and pitch and excellent directional stability during spring extension and compression.

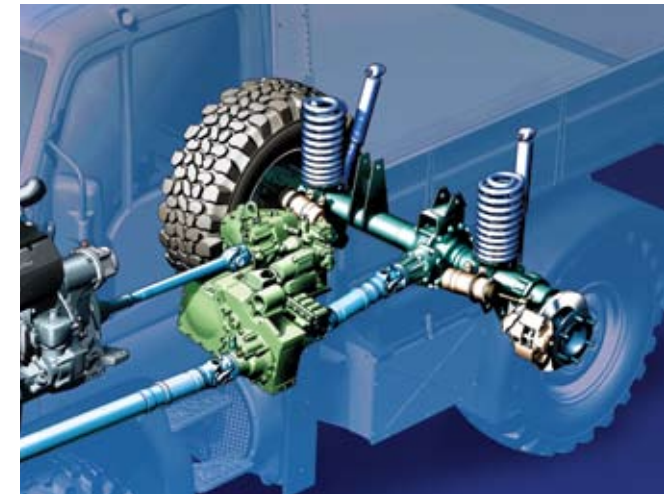
- High ground clearance with low vehicle centre of gravity
- Axle tube and differential positioned over the wheel centre are much smaller than in a truck
- Good cornering characteristics even with full load



Excellent traction. Permanent all-wheel drive with engageable differential locks on both axles

Permanent all-wheel drive. Hauling power. The standard permanent mechanical all-wheel drive gives top traction and directional stability, for example in winter conditions. When maximum traction is required in treacherous off-road terrain, the inter-axle differential and the differentials on each axle can be locked while on the move by means of a rotary switch without interrupting tractive power.

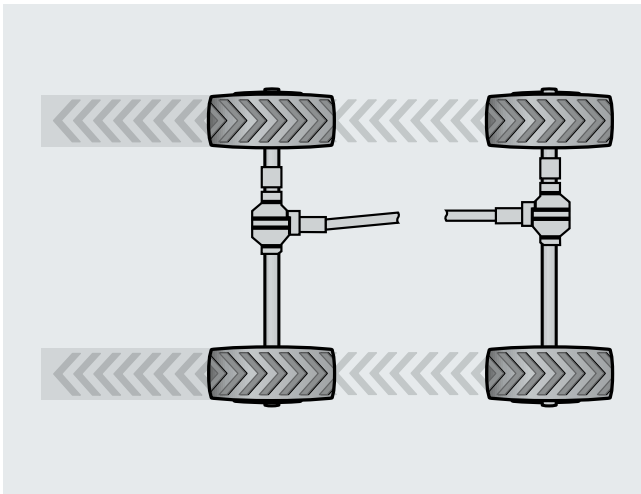
- Low wear and tear
- Excellent handling stability and safety during winter operations
- 100% locking effect at both axles for non-slip power transmission to all four wheels



Coil springs and a high degree of axle articulation keep all wheels firmly on the ground

Coil springs. Always in contact with the ground. Progressively extended coil springs with telescopic shock absorbers give the vehicle the most comfortable suspension irrespective of load. All four wheels remain in contact with the ground even when off-road due to long shock courses and great axle articulation.

- Very comfortable ride
- Minimal self-steering characteristics
- Optimum suspension adjustment to all vehicle loads



Single tyres increase handling stability and traction and keep rolling resistance low

Single tyres. Just a multitude of uses. Unlike conventional all-wheel drive trucks, the rear axle of the Unimog is fitted with single and not twin tyres. This gives better traction, thanks to lower rolling resistance due to the fact that the rear wheels follow the compacted tracks of the front wheels. The wide range of tyre sizes and types means that the Unimog can be fitted out ideally for every operation.

- Wide range of different tyres – from small, high-pressure truck tyres to large-volume, low-pressure agricultural tyres
- For winter service or difficult terrain, chains can be fitted depending on tyre size
- Less slippage, saves fuel and spares ground surface from damage



With Tirecontrol, the tyre pressure can be regulated while on the move

Tirecontrol (tyre pressure regulation system). Always driving with the correct tyre pressure. A further plus when driving over challenging or soft terrain: Tirecontrol, the optional system for adjusting tyre pressures quickly and flexibly to suit changing surface conditions while on the move. The air pressure is lowered at the touch of a button to increase the tyre contact area, thus preventing it from sinking into soft ground and increasing traction.

- Excellent traction, effective self-cleaning and less noticeable tracks off-road
- Flexible adaptation of inner tyre pressure to on-road and off-road conditions while in motion
- Tyre damage due to too low or too high air pressure can be avoided
- Avoids damage to farmland by using lower tyre pressure



Even greater safety, thanks to disengageable anti-lock braking system (ABS)

ABS and ALB. More intelligent braking. The standard anti-lock braking system guarantees increased safety and driving stability. It can also be switched off when driving off-road or the differential locks opened automatically. The automatic load-sensitive braking system (ALB) makes sure the Unimog brakes steadily according to its load, even on long downhill stretches.

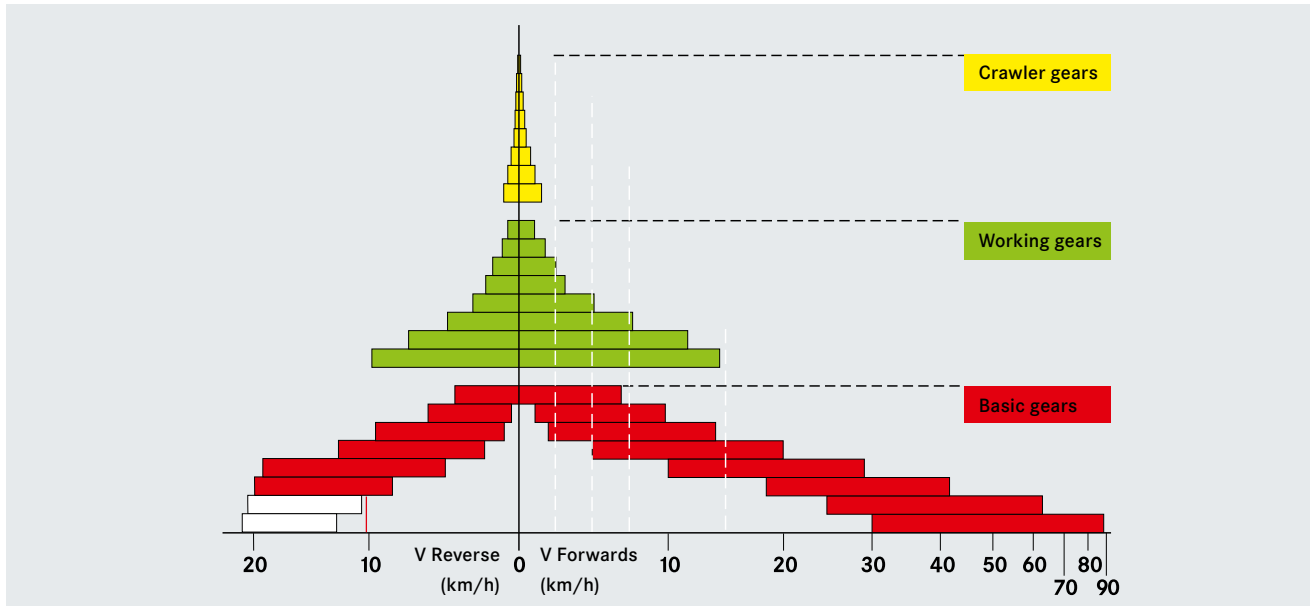
- More safety through excellent driving stability and steering ability
- ABS control for each individual wheel
- ALB – braking force control depending on the load

Vehicle Drive

With the Mercedes-Benz Unimog U 300/U 400/U 500 you really get going. And have the right amount of power for the job at hand. Even with heavy loads or at a snail's pace – and with no slipping clutches. That means less wear and tear – also on your nerves.







With a total of 24 forward and 22 or 24 reverse gears, the Unimog U 300/U 400/U 500 provides optimal working and driving speeds for every job



Rocker switch in the centre console for the basic, working and crawler gears

Transmission. As versatile as you need it to be. The full-synchromesh electro-pneumatic transmission (Telligent®) featuring eight forward and either six or eight reverse gears is renowned for its extremely smooth running, long life span and great efficiency, and it is perfectly designed to deal with a wide variety of jobs. The synchromesh quick reversing system EQR (Electronic Quick Reverse) makes it easy to change directions quickly, for instance when clearing snow in car parks or rocking free off-road.

- The right gear for maximum efficiency and economy, no matter which job needs doing
- Fast, directional changes for clearing snow or manoeuvring

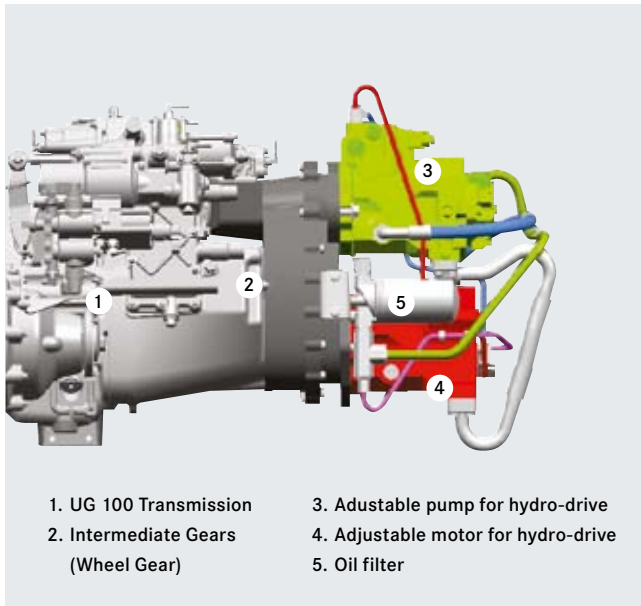
Telligent® Gearshift. Shifts in a flash. Tap the gearshift lightly to front or rear – and the shift control will instantly calculate the torque and, depending on the engine speed, the appropriate gear to engage, which is then shown on the display. If you agree, you only have to press the clutch. Otherwise, simply select the gear you want manually.

- Easy on the engine, clutch and transmission
- When shifting gears, the right hand is free – e.g. to operate implements
- Relaxed, concentrated driving

Working and crawler gears. Full power at every speed.

The basic gears can be supplemented easily depending on the job. The working gears (8/8) can take a full load, are appropriate additions to the speed sector and increase traction. With the crawler gears (8/8), full PTO power can be reached, even at low speeds.

- A total of 24 forward and 22 or 24 reverse gears for performance individually adapted to the job
- Electro-pneumatic operation with a rocker switch for basic, working and crawler gears



Easy adjustment of the working speed with the hydrostatic transmission drive

Converter and clutch Unit. Also a match for extra-heavy loads. The hydrodynamic torque converter enables the starting torque to be increased to as much as double the engine torque – exactly what is needed for pulling heavy loads. Once a certain rpm ratio is reached, the torque converter lockup clutch engages a direct connection between engine and transmission. Full adhesion is thus established.

- Increased starting torque for heavy loads
- No jolting when pulling away, lower clutch wear
- Fewer gear changes (vehicle can pull off one to two gears higher)



Hydrostatic drive can be regulated individually using manual shift

Hydrostatic drive. Constant rpm with varying working speeds. The hydrostatic drive is yet another vital labour-saving feature which allows the working speed to be adjusted easily while maintaining constant rpm for engine and power take-off. The accelerator pedal can be used for accelerating and decelerating the vehicle sensitively, smoothly and jolt-free between 0–25 km/h. Tipping the rocker switch reverses the direction of travel. Swiftly and safely.

- Efficiency in mowing mode due to optimal driving speed
- Reliable operation also on steep slopes and while towing trailers
- Foot-operated (for simultaneous implement control) or manual control
- Three different selectable driving modes depending on driving situation



Switch between manual and automatic modes at the touch of a button

AutomaticShift. Gearshifting as you like. Drive and work without the clutch, just like automatic transmission; AutomaticShift is a true blessing whenever working and driving requires frequent gear shifting. More attention can be paid to both job and traffic. Plus, you can switch back to manual mode whenever you want at the touch of a button. M denotes manual and A automatic. There is no need to use the clutch in either mode. What makes this shifting system unique is that even in automatic mode drivers are still able to change gears manually using the shift lever.

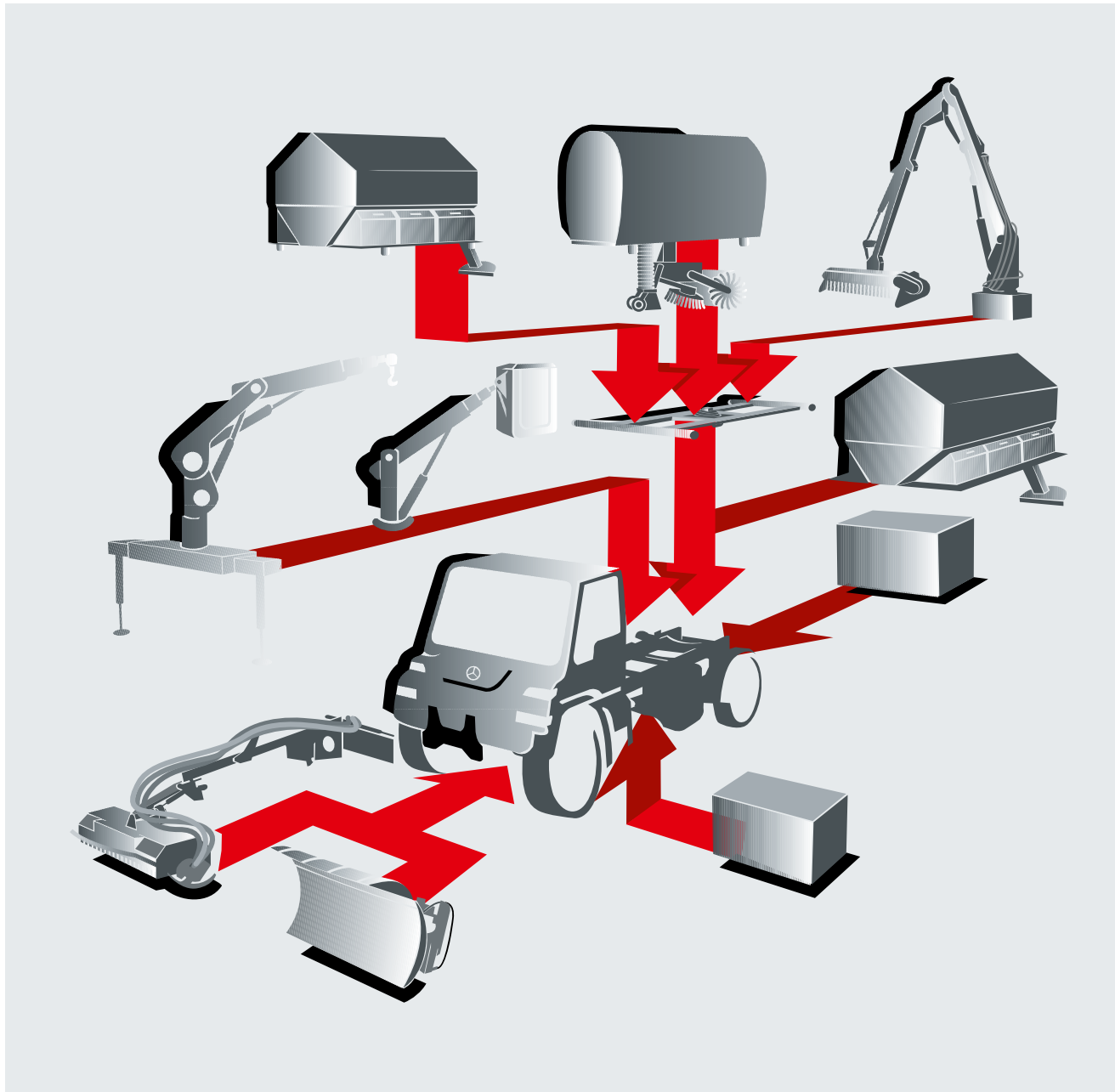
- Less wear on the clutch
- Uses less fuel
- Choice between automatic gearshifting (e.g. for driving in traffic) or manual gearshifting (e.g. when operating implements or driving off-road)

System and Implement- Carrying Expertise

One for almost all: with its diverse attachment and mounting areas, the Unimog U 300/U 400/U 500 has a uniquely versatile platform for various implement combinations and a multitude of purposes. That is what makes it so cost-effective for all-year-round work. Thanks to many decades of cooperation between Mercedes-Benz and implement/body manufacturers, expert knowledge and 60 years experience in development can be combined to produce your Unimog. Advantages you can feel metre after metre.







Three attachment areas. More efficient operation. Three attachment areas – the front mounting plate, between the axles and at the rear – allow various implements to be attached. Simultaneous multitasking with the Unimog is therefore simple – fast, easy and cost-effective.

- First: the front attachment area with standardised front mounting plate (e.g. for verge cutters, snowploughs, snow cutters, winches and front-mounted sweepers)
- Second: the inter-axle attachment area (e.g. for road sweepers or graders)
- Third: the rear attachment area (e.g. for smaller, quick-change rear-mounted cranes/power lifts or sewer cleaners)

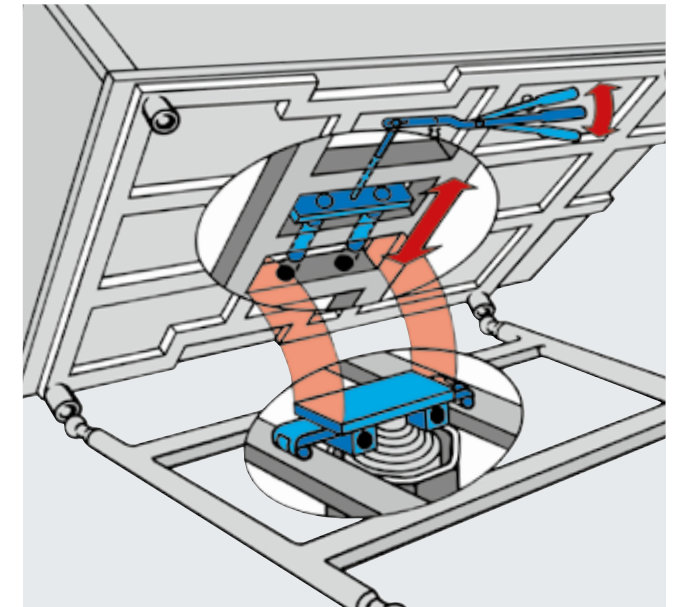
One mounting area, three options. Always the right implement solution. With or without the drop-side body, the mounting area with its three options makes the Unimog U300/U400/U500 extremely versatile. If necessary, the tipper body can simply be taken off the tipping cylinder with the quick-release catch to allow much higher payloads.

- First: existing implements can be installed on the body
- Second: new implement systems can be attached directly to the ball-type fastening points on the body sub-frame (extra payload through removing body)
- Third: permanent bodies or seasonally changing implements can be mounted directly onto the straight frame side member

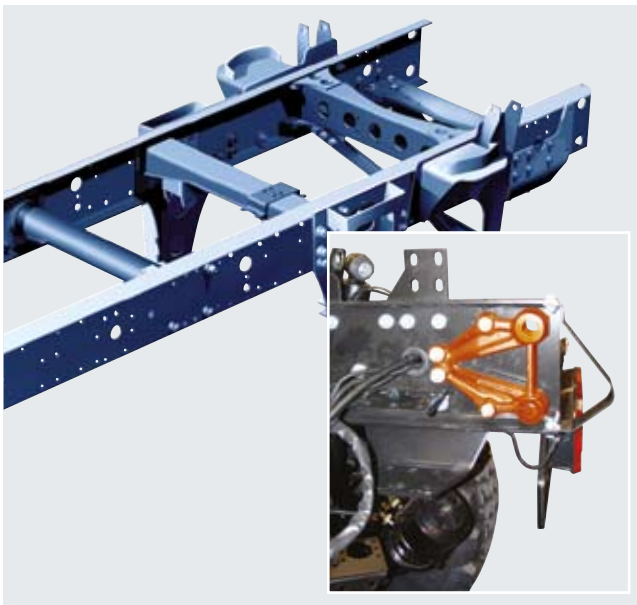
Up to four attachment/mounting areas: no implement carrier is more versatile than the Unimog



A robust, continuous ladder-type frame with integrated fastening points make direct implement mounting simple and inexpensive



The tipping cylinder can be easily removed from the tipper body



Rear mounting brackets for simple implement mounting

Frame design. Safe, cost-effective, robust. The basis for the cost-effective all-year-round operation of the Unimog U 300/U 400/U 500 as a professional off-roader implement carrier is its continuous, straight ladder-type frame. It allows implements to be attached directly and easily. High bending and torsional resistance give maximum stability. Integrated mounting positions and hole patterns make attaching and mounting easier and provide additional safety during extreme operations.

- Simple direct mounting on frame side members
- Designed for maximum thrust and traction while ensuring good handling with and without implements
- Designed for attaching several implements at the same time

Defined attachment areas. For fast and easy fitting. On the Unimog, all the necessary attachment points and mounting areas are preinstalled and compatible with existing implements.

- Developed ex works and coordinated with implement and body manufacturers
- Simple assembly
- Defined load mounting points
- Safeguarded against overload

Mechanical Implement Drives

The robust Unimog U 300/U 400/U 500 can run implements requiring a great deal of power off its mechanical front power take-off which can provide a continuous output of up to 150 kW. The drive element of the rear PTO also provides a continuous output of 120 kW.





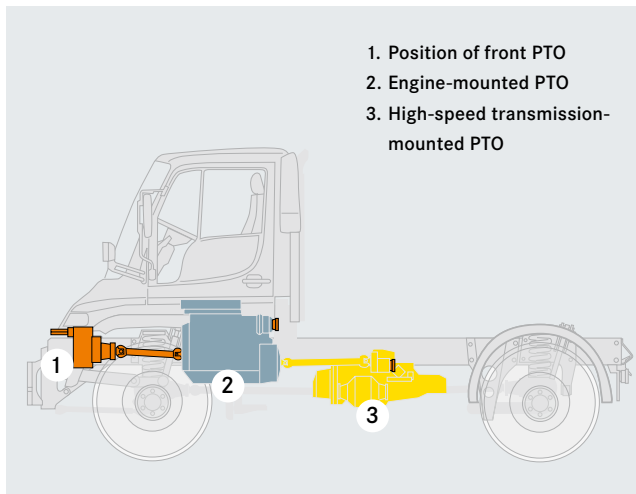
Front PTO for implements with a high output. Retrofit: rear PTO in standard configuration

Front power take-off. An extra plus for implements.

Implements with high power consumption are best run directly by the powerful engine-driven front power take-off. With its power output of 150 kW, this standard oil-cooled PTO has a 44.4 mm (1 3/4") spline profile for high torque transmission and is extremely efficient. The digital rpm display and electronic engine control allows the PTO speed to be adjusted sensitively between 420 and 1,000 rpm with extreme precision and infinitely variable.

- Direct mechanical drive using the engine powertrain
- No interruption in the power flow during gear changes
- Extremely efficient and high continuous output

Rear power take-off. The U 300/U 400/U 500 can be equipped as an option with a rear power take-off in standard configuration for operating large, rear-mounted implements. With a continuous output of as much as 120 kW



Unimog U 300/U 400/U 500: locations of front PTO (1), engine-mounted PTO (2) and high-speed transmission-mounted PTO (3)

and two PTO speeds (540 and 1,000 rpm), the rear power take-off proves extremely efficient for operating wood chippers, large area mowers, loading trailers or balers.

- Operated from control console in the cab

Auxiliary drives. All power options included. The Unimog U 300/U 400/U 500 has both an engine-mounted and a transmission-mounted auxiliary drive. The engine-mounted auxiliary drive generally runs power hydraulics, but is also used to operate implements with hydrostatic drives such as verge or asphalt cutters with power hydraulics, designed by the implement manufacturer. The transmission-mounted auxiliary drive with standardised flange on the manual transmission is suitable for operating standard hydraulic pumps for cranes or aerial platforms. The output speed and direction of rotation are identical to the engine's speed and direction of rotation.



The socket to supply electricity for implements. Current collection up to 40 A

- Operated using pull switches in the centre console or as an option by remote control

Parameterisable on-board electronics. Intelligent on-board powerpack. The parameter settings of the powerpack make straightforward, practical programming of the vehicle's basic configuration possible. From governing the engine speed or reverse shift lock to the engine start-stop function via remote control through the implement connector sockets. The result is maximum operational safety for man and machine. It also facilitates subsequent modifications when equipment or operating profiles are changed.

- Practical basic settings for the on-board electronics can be programmed easily and individually
- Drivers are relieved of strain in critical driving situations

Hydraulic Implement Drives and Hydraulic Implement Operation

Depending on the job, the Unimog U 300/U 400/U 500 has an integrated dual-circuit hydraulic system or a high-performance dual-circuit hydraulic system at its disposal. This means that it has up to four completely independent hydraulic cycles available.







The power hydraulic connections are coded by colour and number – perfect for connecting implements quickly and without any error



The gate-guided joystick gives you simple, convenient control over all implement movements



The key pad shows the valves and connections arranged by colour and number

Hydraulic design. Independent and versatile. The powerful hydraulic system is crucial to the high workload when operating multiple implements. With two circuits each in the working hydraulic and power hydraulic circuits, the Unimog U 300/U 400/U 500 allows a total of four hydraulic circuits to be used independently of one another at the same time – the ideal starting point for the Unimog’s versatile operations.

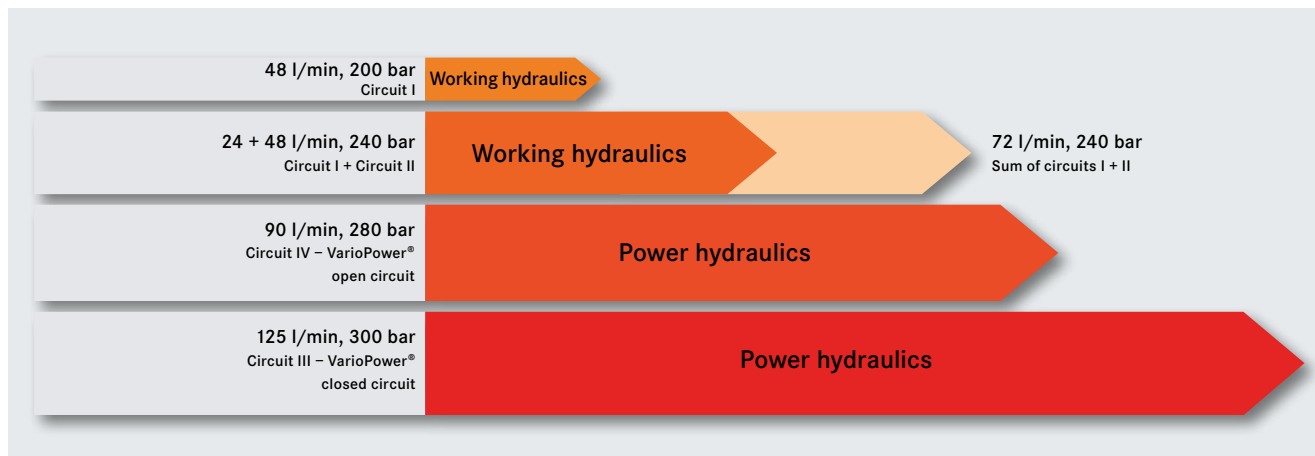
- Four hydraulic circuits – for outputs varying from 24 to 125 l/min and operating pressures from 200 to 300 bar
- Five basic hydraulic packages and additional hydraulic connections to choose from

Simple connection, straightforward operation. A few quick steps are all it takes. Hydraulic connections and plugs are coded by colour and number to expedite implement connection. Standardised couplings make it easy to swap implements. Plus, the floating position can be activated separately for each individual valve. The electric controls for the hydraulic functions are just as simple and are soon done intuitively.

- Key pad, hydraulic plugs and hydraulic connections coded by colour and number
- Electronic gate-guided joystick for controlling up to eight movements
- Rocker switch for valve selection
- Finger-operated buttons for activating the float setting or switching from connection one–four to five–eight
- Press switches for operating the permanent consumers (circuits III and IV)
- Emergency-stop switch for fast disablement of all valves

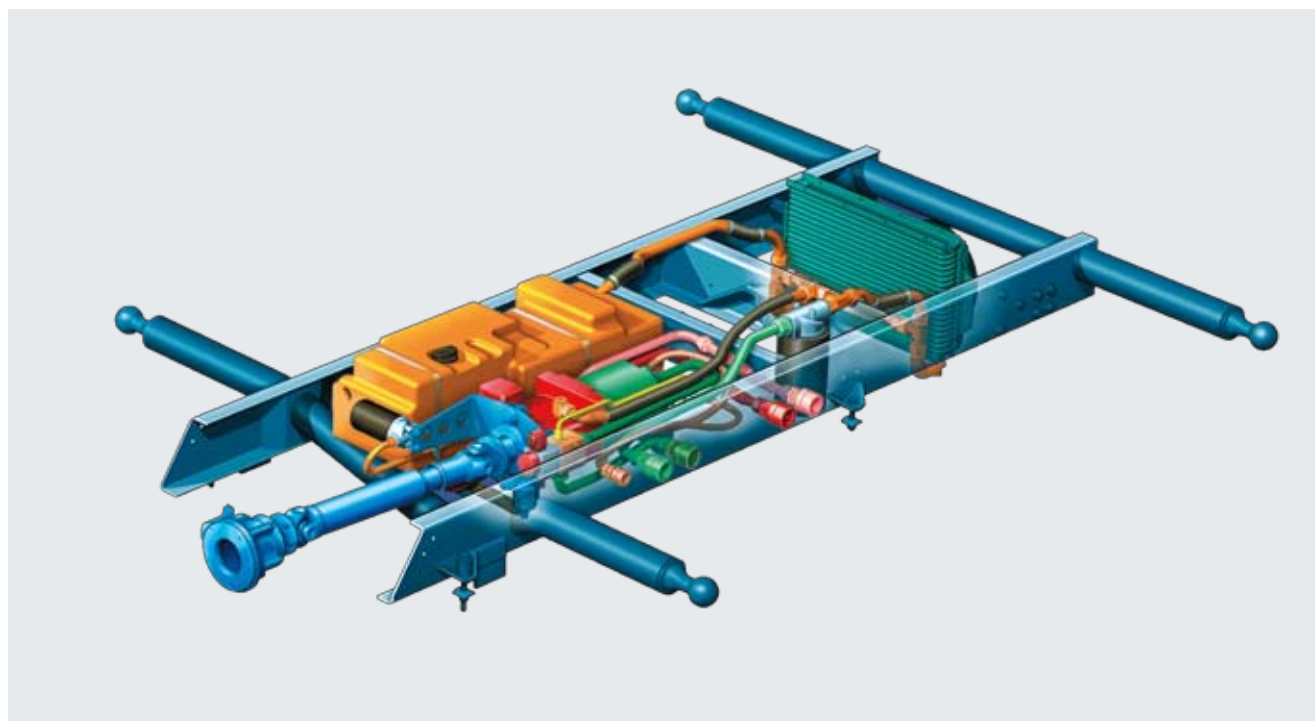
Working hydraulics. Made for all popular implements. Circuit I controls up to eight implement movements with a system pressure of 200 bar (24 l/min) via four double-acting valves, or it drives hydraulic motors running at low power. By combining circuits I + II (24 l/min + 48 l/min) together, implements can be actuated and hydraulic motors driven independently of one another. This provides you with a total of up to 240 bar and output for powering implements.

- Two independent hydraulic circuits: circuit I for controlling implement movements, circuit II for driving hydraulic motors
- Safe, convenient control of all implement movements
- Fitted ex works, reliable operation, spare parts supply guaranteed
- Changeover valve for flexible flow switching between circuits I and II or combining oil flow of circuits I and II



Power hydraulics. Power on tap. VarioPower® power hydraulics eliminates the need for separate hydraulic PTO pumps or diesel engines to drive implements. The open system (circuit IV) provides 42 kW, making it suitable for quickly discharging larger quantities of oil at high pressure or driving hydraulic motors. Maximum output is delivered by the closed system (circuit III): its 300 bar and 62 kW are sufficient for driving hydraulic motors in the upper capacity range.

- Separate module in drop-side body sub-frame (can be removed together with body sub-frame to increase payload)
- Parallel operation of circuits III and IV allows two drives to be used simultaneously, saving time and costs



The VarioPower® power hydraulics are housed in the tipper body sub-frame and can be removed together with the sub-frame and implement if necessary

Easy to Operate and Ergonomic

The Unimog U 300/U 400/U 500 cab provides everything the driver needs to do his everyday work as ergonomically and safely as possible. And the combined air-conditioning, heating and ventilating system makes sure he always feels comfortable.



Taking the strain off the driver. Even when the job lasts a long time. The cab is made of non-corroding, noise- and heat-insulating high-tech fibre composite material (FVW). It is very strong and rigid and with sprung and damped mounting. As most of the functions are electrically controlled, the vibrations in the cab are reduced to a minimum.

- Generous headroom and room to move for relaxed working on long jobs
- Heating and ventilating system with integrated air conditioning
- Heating for seats, windscreens and mirror to make life easier in winter service
- Auxiliary heater, programmable
- Optional air suspension drivers seat

Ergonomic design. Clear and easy to use. The instrument panel is installed on the steering column. Perfect legibility is guaranteed no matter where the driver is seated. The backlit instrument panel and two LCD multifunction displays provide the driver with all relevant information. Whether driving or operating implements: all the controls and displays are found at a glance in functional groups on the central console, within easy reach and easy to understand.

- Instrument panel with visual and audible warning indicators
- Central console with clear and easy-to-reach operating elements
- Optional: Radio and CD-Player combination with Bluetooth and hands-free kit – for more safety whilst driving



Panoramic Cab

See in advance what is coming – with optional mowing door. With its deep windscreen and steeply angled bonnet, the U 300/U 400/U 500 state-of-the-art panoramic cab offers an unimpeded view of the area in front of the vehicle, as well as of the coupling points or attached implements. Deep side windows combined with the large rear window offer an outstanding all-round view of all working zones, when attaching and detaching implements or during operation for more safety.



The deep windscreen, deep-drawn side windows and the large rear window offer excellent and safer view to all sides



The combined air-conditioning-heating-ventilating system ensures a pleasant interior temperature

Compact dimensions. Maneouvable and exceptionally tough. With widths starting at 2.15 m, a compact front end of just 1.15 m and a turning circle starting at 13.7 m, the Unimog U 300/U 400/U 500 is ideal for working in confined areas. Further advantages over a truck include its multiple mounting areas and the higher load capacity of the front axle.

- Manoeuvring and positioning with implements in confined spaces
- High front-axle load capacity for operating implements



Mowing door and swivel seat for an unobstructed view and adequate legroom



The VarioPilot® transferable steering can be slid from the left to the right side of the cab in an instant – ideal for safe and convenient one person operation



Optional equipment. Geared to your requirements. Driver-oriented design has top priority for the Unimog U300/U400/U500. This is clearly shown by the special options which ease day-to-day operations tremendously.

Three examples:

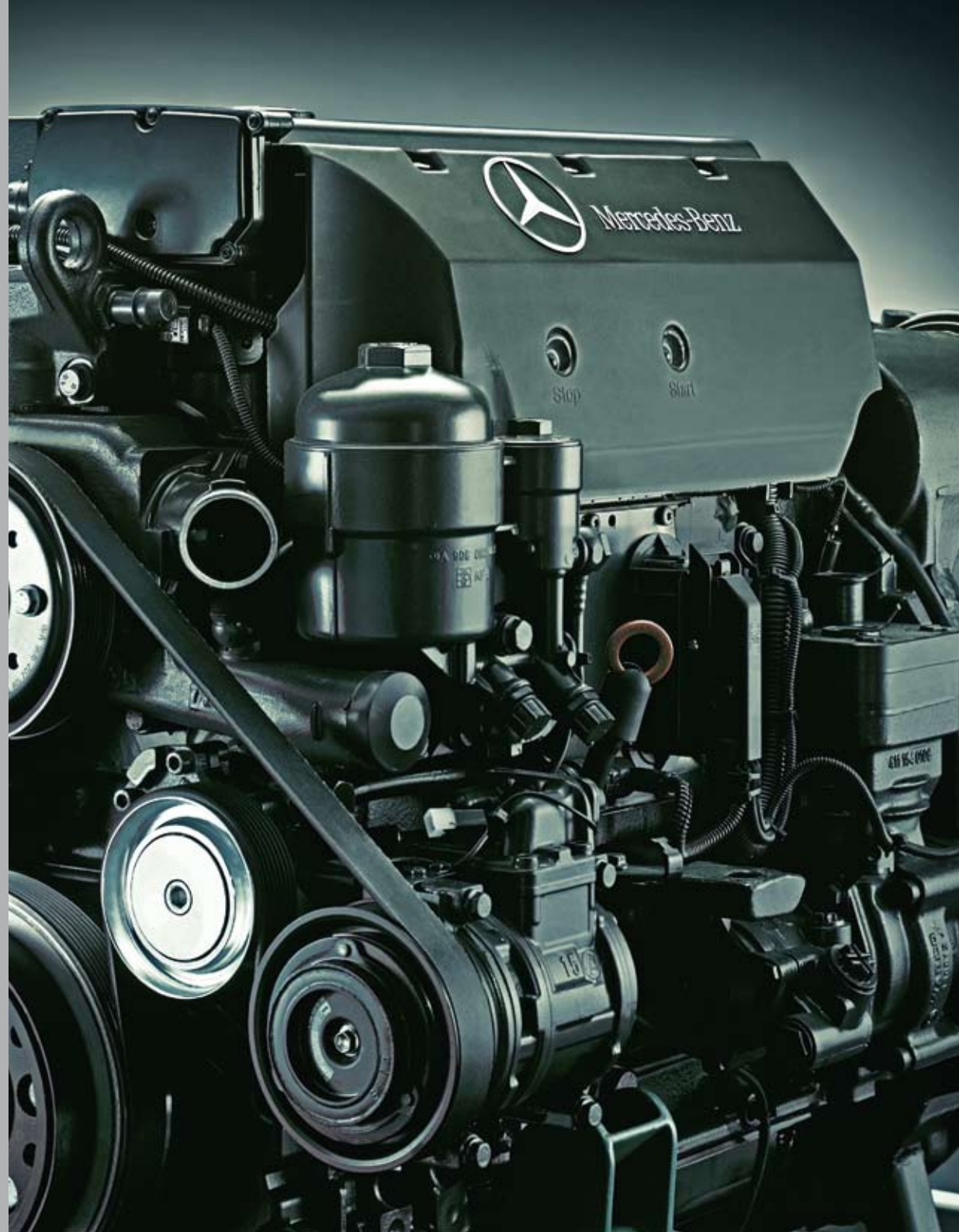
VarioPilot® transferable steering. The steering column including instrument panel and pedals can be easily moved from left to right. Drivers get the best view of the working area, can exit the vehicle on the side away from the traffic and enjoy easy one-man operation.

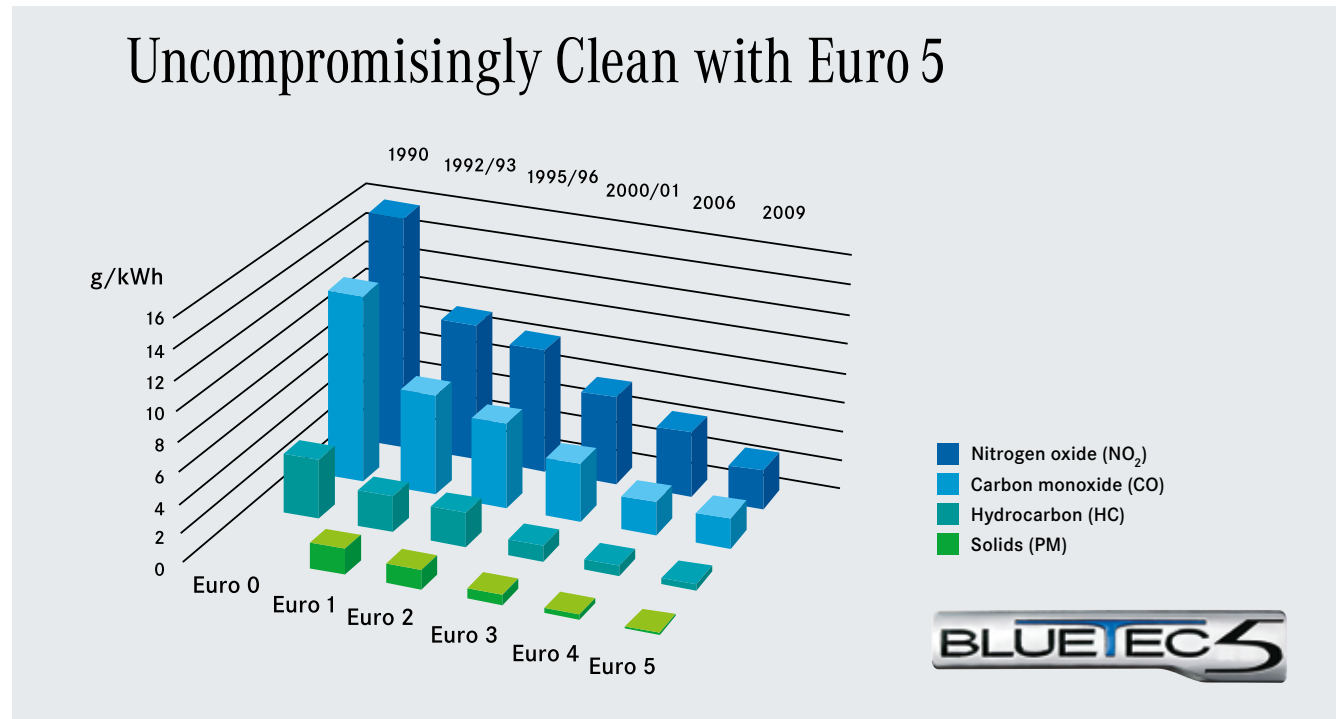
Mowing door. Instead of the standard co-driver's door, the Unimog can be fitted with an optional mowing door. With its enlarged panoramic side windows made of heat-insulated glass and wipers, it is perfect for mowing jobs, whether with one or two operators.

Swivel seat. The air-sprung swivel seat is the ideal addition to the mowing door. It allows implements to be operated with ease, giving the best view of the work area to the right. The seat can be turned slightly if the driver is working alone, or by a full 90° with two-man operation.

Economic Efficiency and the Environment

The Unimog U 300/U 400/U 500 is not just ready for any situation or terrain, it is also designed for a long cost-effective working life. The particularly clean BlueTec® engines fulfil the Euro 5 emission standards and use up to 40% less fuel. According to a German Agricultural Society (DLG) comparative study, the amount of fuel saved can be up to 13 litres per working hour compared to an agricultural tractor. Thanks to the lower level of consumption, CO₂ and particle emissions are also reduced by up to 40%. Reliability, a long life span, cost-effective running and ecological conservation round off the Unimog's unique concept as a vehicle providing for the future.





Clean, safe, economical. BlueTec® diesel technology. BlueTec® is the new SCR (Selective Catalytic Reduction) diesel technology from Mercedes-Benz. It lowers nitrogen oxide and particle emissions significantly as well as optimising fuel consumption, without any loss of engine power. An extra catalytic converter reduces the nitrogen oxide levels using the additive AdBlue, a non-toxic aqueous solution which is fed from a separate tank. Apart from fulfilling the European Union's strict directives for reducing vehicle emissions, the Unimog also offers a low wear and tear and low maintenance system. Plus engines with a higher power output (depending on the model). Thus a future-proof solution is guaranteed.

Adaptable engine management. The driving and working mode. The engine characteristics can be adjusted individually to suit the operating mode at the touch of a button. In the driving mode on roads or for transporting loads, you benefit from its flexible torque. The working mode ensures minimal rpm speed deviations when operating implements or driving off-road, even with fluctuating loads.

Always ready to give peak performance. The low-maintenance Euro 5 engines from Mercedes-Benz are state-of-the-art in every respect and perfectly equipped for a wide variety of tasks. From their direct injection and three-valve technology, turbocharger and intercooler, to their steep torque curve, constant output over a wide rpm range and high power reserves. The combustion-

air intake is positioned where dust levels are lowest. The thermostat-controlled radiator with hydraulic fan keeps the engine cool, even at low vehicle speeds and high working performance. The large modular cooling system with its open-order design is very maintenance-friendly due to the removable cleaning grill which means that the Unimog U 300/U 400/U 500 has no difficulties when working in extremely dusty conditions.

- **Low-maintenance engines from 110 kW (150 hp) to 210 kW (286 hp)**
- **Low-emission, economical and quiet-running**
- **Sharp reduction in nitrogen oxide and particle emissions**
- **Improved combustion efficiency**
- **Reduced fuel consumption**



Always Close By

Worldwide Service from Mercedes-Benz

Where there is a Unimog on the road, then we are not far away. Thanks to more than 1,000 service stations worldwide, your Unimog Partner is easy to reach when you need him. With vehicle maintenance and other services which are just as reliable, flexible and progressive as the Mercedes-Benz Unimog itself. From our fast spare-parts service to repairs and maintenance up to a made-to-measure financing or leasing offer. And not just for your Unimog itself, but also for a whole range of bodies and implements. You can rely on us.

Would you like to find out more about the Unimog? Then simply detach the postcard, fill it out and send it off. Or send us the postcard by fax: +49 (0) 721 1510125.

Other information and the current Unimog eNewsletter are available on the internet at:
www.mercedes-benz.com/unimog

You can order the eNewsletter by using the postcard. Simply enter your e-mail address on the reverse side and then you will always be up-to-date.





Looking to the Future

You want to get things moving?

With the Unimog, you get much more than just a truck. The Unimog is a philosophy come true. There is hardly a sector or situation to be imagined where the Unimog cannot be used successfully – it has proved this for decades. For very diverse tasks and needs, there are three model ranges to choose from.

You have got to know the Unimog U 300/U 400/U 500 in this brochure.

As a universal implement carrier, the Unimog U 20 with a maximum weight of 7.5/9.3 t is perfect for the requirements of the municipal maintenance yard. It does not cost any more than an up-market municipal tractor, but has all the advantages of a all-wheel drive truck and the power reserves of a genuine Unimog. In short: maximum use potential throughout the whole year.

With its unique off-road capabilities, the Unimog U 4000/U 5000 beats every competitor hollow with its

convincing features such as the flexible ladder-type frame for great rigidity on the road and enormous torsional flexibility off the road, its superior all-wheel drive with differential locks in both axles and its portal axles for especially high ground clearance.

Do you have any questions, comments or suggestions on the topic of Unimog? Or want to know what the Unimog can do for you? Then don't hesitate to contact us. We are looking forward to hearing from you!

www.mercedes-benz.com/unimog





I would like to know more

Yes, please send me more specific information about the Unimog in my area of business.

I am interested in the Unimog ... (required)

privately commercially

Does your company already use Unimog vehicles?

Yes No

Do you sometimes work in difficult terrain?

Yes No

Do you use various mounted bodies/implements?

Yes No

I want to be the first to find out the latest. Please send me the Unimog eNewsletter on a regular basis.

Your e-mail address

Company

Last Name

First Name

Position

Address

Postcode, Town

Country

Telephone

Area of business

Legal Notice: Your personal data will be stored to keep you regularly informed. Your data can be deleted, upon request, at any time. You can cancel the use of your personal data by contacting us in writing at: Daimler AG, Mercedes-Benz Special Trucks, HPC 185, Stichwort Datenschutz, 70 442 Würth, Germany.

IX164

NE PAS AFFRANCHIR

DO NOT AFFIX STAMP

REPONSE PAYEE/REPLY PAID
ALLEMAGNE

Daimler AG
Mercedes-Benz Special Trucks
Postfach 21 03 30
76153 KARLSRUHE
ALLEMAGNE

A Daimler Brand



www.mercedes-benz.com/unimog



Mercedes-Benz

Concerning the details in this brochure: the products may have undergone slight changes after the editorial deadline of this brochure. We, the manufacturers, reserve the right to make any constructional changes, design alterations, colour modifications as well as changes to the scope of delivery during the delivery period, as long as the changes or modifications are not unreasonable for the customer. The salesman and/or manufacturer are not legally bound as long as they describe the order or the ordered articles with symbols or numbers. The pictures in this brochure may also contain accessories or special fittings that do not belong to the standard scope of delivery. Colour modifications are due to typographical causes. This printed matter may also contain models and customer services that are not available in individual countries. Statements concerning statutory, legal and tax regulations and the implications thereof are only valid for the Federal Republic of Germany prior to the deadline of this brochure. Please consult your Unimog Partner with respect to the latest binding regulations and stipulations and their implications. www.mercedes-benz.com/unimog