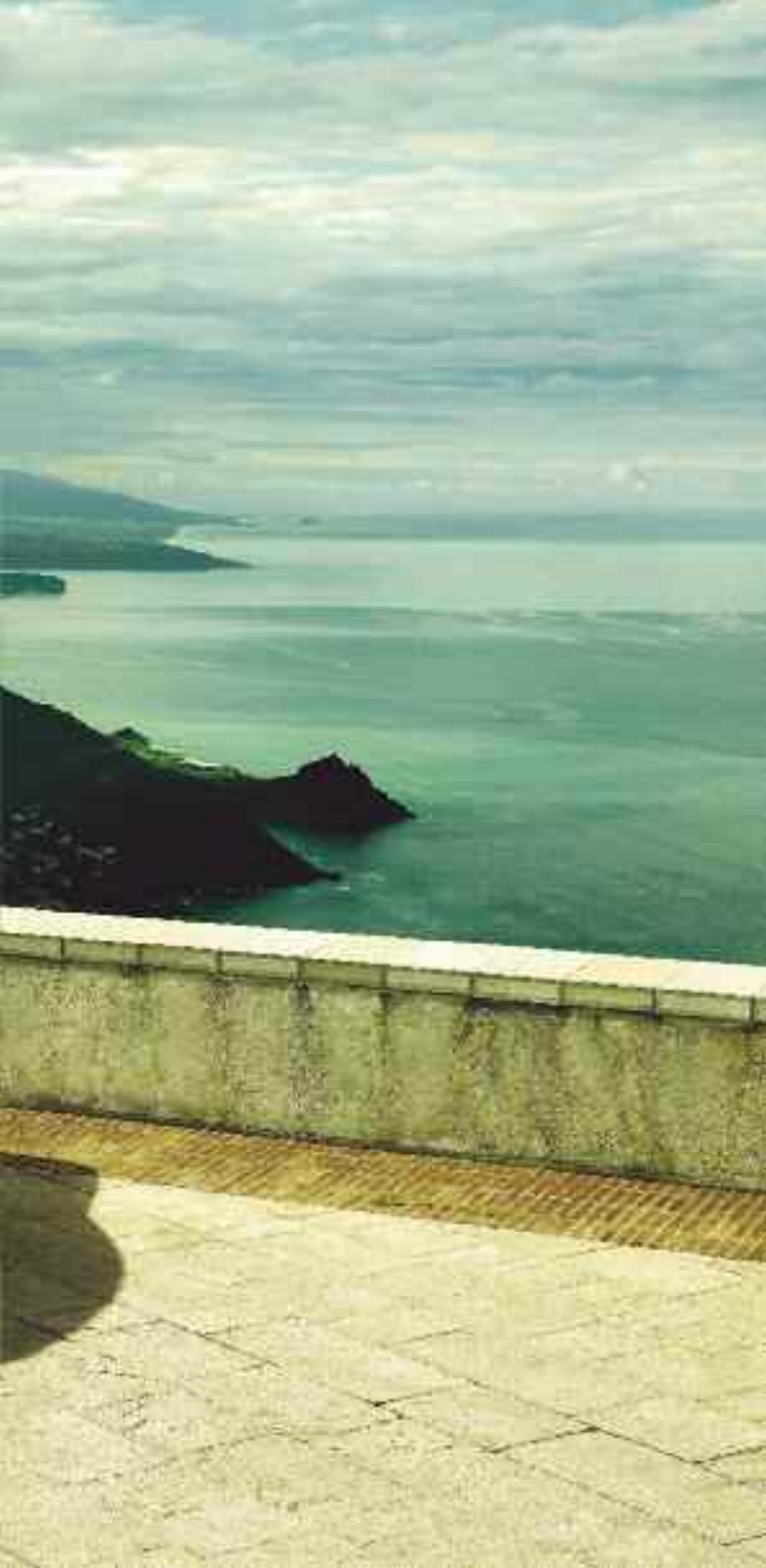


# THE NEW VOLVO C70





# The C70 range at a glance.

## C70 S

The comprehensive standard specification includes ECC (Electronic Climate Control), 16" Castula alloy wheels, DSTC (Dynamic Stability and Traction Control), passenger airbag cut-off switch, front fog lights, power windows, information centre, cruise control, floor mats and Performance Sound Audio System.

## C70 SE

The SE model brings added luxury to the Volvo C70 with 17" Sirona alloy wheels, autofolding power door mirrors with ground lights and rear park assist. Aluminium trim, Bluetooth® handsfree system, autodimming rear view mirror and a High Performance Sound Audio System are just some of the standard SE interior features.

## C70 SE LUX

The SE Lux model is the ultimate choice with Leather-faced upholstery, power driver's seat and active bending lights with headlamp cleaning system.

## PREMIUM

The Premium model is the ultimate upgrade. The combination of Leather-faced upholstery and Satellite Navigation System (RTI) is designed to complement the existing high level of specification whichever model you choose.

# On the road.

How much will it cost to get behind the wheel of your own Volvo C70? Simply decide which model variant and engine type are right for you and then take a look at the full price list below.

## C70 S

	Basic £	VAT £	Rec Retail Price £	On the Road Price £
<b>DIESEL</b>				
2.0D S	£22,344.68	£3,910.32	£26,255.00	£26,995.00

## C70 SE

	Basic £	VAT £	Rec Retail Price £	On the Road Price £
<b>PETROL</b>				
2.4i SE	£23,991.49	£4,198.51	£28,190.00	£28,995.00
2.4i SE Premium <sup>®</sup>	£25,693.62	£4,496.38	£30,190.00	£30,995.00
<b>DIESEL</b>				
2.0D SE	£24,344.68	£4,260.32	£28,605.00	£29,345.00
2.0D SE Premium <sup>®</sup>	£26,046.81	£4,558.19	£30,605.00	£31,345.00
D5 SE	£25,880.85	£4,529.15	£30,410.00	£31,175.00
D5 SE Premium <sup>®</sup>	£27,582.98	£4,827.02	£32,410.00	£33,175.00







## C70 SE LUX

	<b>Basic £</b>	<b>VAT £</b>	<b>Rec Retail Price £</b>	<b>On the Road Price £</b>
<b>PETROL</b>				
2.4i SE Lux	£25,055.32	£4,384.68	£29,440.00	£30,245.00
2.4i SE Lux Premium <sup>(1)</sup>	£26,204.26	£4,585.74	£30,790.00	£31,595.00
T5 SE Lux	£27,693.62	£4,846.38	£32,540.00	£33,345.00
T5 SE Lux Premium <sup>(1)</sup>	£28,842.55	£5,047.45	£33,890.00	£34,695.00
<b>DIESEL</b>				
2.0D SE Lux	£25,408.51	£4,446.49	£29,855.00	£30,595.00
2.0D SE Lux Premium <sup>(1)</sup>	£26,557.45	£4,647.55	£31,205.00	£31,945.00
D5 SE Lux	£26,944.68	£4,715.32	£31,660.00	£32,425.00
D5 SE Lux Premium <sup>(1)</sup>	£28,093.62	£4,916.38	£33,010.00	£33,775.00

<sup>(1)</sup> All Premium models include Leather-faced Upholstery and Satellite Navigation System (RTI).

# The right equipment.

It's essential that your Volvo comes equipped with everything you need. Below you'll find the standard equipment lists for each model variant, plus optional equipment to personalise your Volvo C70. And as you'd expect, there is an array of industry-leading, cutting edge safety innovations.

<b>STANDARD EQUIPMENT - SAFETY &amp; SECURITY</b>	<b>S</b>	<b>SE</b>	<b>SE LUX</b>
Dual Stage Driver and Passenger Airbags	•	•	•
SIPS (Side Impact Protection System)	•	•	•
SIPS Airbags	•	•	•
IC (Inflatable Curtain – Door Mounted)	•	•	•
ROPS (Roll Over Protection System)	•	•	•
WHIPS (Whiplash Protection System)	•	•	•
ABS (Anti-lock Brake System) with EBD (Electronic Brake Distribution) and EBA (Electronic Brake Assistance)	•	•	•
DSTC (Dynamic Stability and Traction Control)	•	•	•
4 Three Point Seat Belts	•	•	•
Seat Belt Pre-tensioners (Front and Rear)	•	•	•
Head Restraints – All 4 Seats	•	•	•
ISOFIX Attachment (Rear Seats)	•	•	•
Anti-theft Alarm including Immobiliser, Volume Sensor and Level Sensor	•	•	•
Key Integrated Remote Control Central Locking including Fuel Flap with Deadlocking System	•	•	•
Auto Open/Close for Windows	•	•	•
Tinted Windows	•	•	•
Visible VIN Plate	•	•	•
Day Running Lights	•	•	•
Headlamp Levelling System	•	•	•
High Level LED Brake Light	•	•	•
Side Marker Illumination	•	•	•
Home Safe and Approach Lighting	•	•	•
IDIS (Intelligent Driver Information System)	•	•	•
Passenger Airbag Cut Off Switch	•	•	•

<b>STANDARD EQUIPMENT - EXTERIOR</b>	<b>S</b>	<b>SE</b>	<b>SE LUX</b>
16" Castula Alloy Wheels (Silver Stone) – 215/55 R16 Tyres	•		
17" Sirona Alloy Wheels (Diamond Cut) – 235/45 R17 Tyres		•	
17" Serapis Alloy Wheels (Silver Bright) – 235/45 R17 Tyres			•
Locking Wheel Nuts	•	•	•
Tyre Sealant Kit and Compressor	•	•	•
Active Bending Lights with Headlamp Cleaning System			•
Front Fog Lights	•	•	•
Power Adjustable and Heated Door Mirrors	•	•	•
Autofolding Power Door Mirrors with Ground Lights		•	•
Speed Dependent Interval Wiper Function	•	•	•
Rain Sensor		•	•
Rally Bar (Front Strut Stiffener) (T5 and D5 only)		•	•
Grey Sill Covers with Stainless Steel Step Covers	•	•	•
RHT (Retractable Hard Top)	•	•	•
Rear Park Assist		•	•



**STANDARD EQUIPMENT - INTERIOR**

	S	SE	SE LUX
ECC (Electronic Climate Control) with AQS (Air Quality System) and Pollen Filter	•	•	•
Information Centre	•	•	•
Cruise Control	•	•	•
Front and Rear Power Windows	•	•	•
Illuminated Driver and Passenger Vanity Mirrors	•	•	•
Front and Rear Reading Lights	•	•	•
Autodimming Rear View Mirror	•	•	•
Front Centre Armrest	•	•	•
Front and Rear Cupholders with Sliding Cover	•	•	•
Cargo Net	•	•	•
Front and Rear 12V Socket	•	•	•
Power Driver's Seat with Seat Memory	•	•	•
Height Adjustable Driver and Passenger Seats with Lumbar Support	•	•	•
Leather Steering Wheel, Gear Knob and Handbrake Lever	•	•	•
Steering Wheel Remote Audio Controls	•	•	•
Height and Reach Adjustable Steering Column	•	•	•
Bauxite Trim	•	•	•
Aluminium Trim	•	•	•
Borgholm Upholstery	•	•	•
Haverdal Leather/T-Tec Upholstery	•	•	•
Leather-faced Upholstery (Standard on SE Premium and SE Lux models only)	•	•	•
Floor Mats	•	•	•
Performance Sound Audio System – 1 x CD/Radio, 4 x 20W Amplifier, Aux input and 6 Speakers	•	•	•
High Performance Sound Audio System – 1 x CD/Radio, 4 x 40W Amplifier, USB and Aux Input and 8 Speakers	•	•	•
Satellite Navigation System (RTI) with RDS-TMC and Map Data on Hard Disk (Standard on Premium models only)	•	•	•
Bluetooth® Handsfree System	•	•	•



<b>OPTIONAL EQUIPMENT – SAFETY &amp; SECURITY</b>	<b>Basic £</b>	<b>VAT £</b>	<b>Rec Retail Price £</b>	<b>S</b>	<b>SE</b>	<b>SE LUX</b>
BLIS (Blind Spot Information System) with Autofolding Power Door Mirrors and Ground Lights	£553.19	£96.81	£650.00	o	u (£450)	u (£450)

<b>OPTIONAL EQUIPMENT – EXTERIOR</b>	<b>Basic £</b>	<b>VAT £</b>	<b>Rec Retail Price £</b>	<b>S</b>	<b>SE</b>	<b>SE LUX</b>
Black Paint (Solid)	£225.53	£39.47	£265.00	o	o	o
Metallic/Pearlescent Paint	£489.36	£85.64	£575.00	o	o	o
Inscription™ Paint	£659.57	£115.43	£775.00	o	o	o
17" Sirona Alloy Wheels (Diamond Cut) – 235/45 R17 Tyres	£446.81	£78.19	£525.00	o	•	nco
17" Serapis Alloy Wheels (Silver Bright) – 235/45 R17 Tyres	£446.81	£78.19	£525.00	o	nco	•
18" Mirzam Alloy Wheels (Silver Bright) – 235/40 R18 Tyres	£1,106.38	£193.62	£1,300.00	o	u (£775)	u (£775)
18" Midir Alloy Wheels (Diamond Cut) – 235/40 R18 Tyres	£1,106.38	£193.62	£1,300.00	o	u (£775)	u (£775)
Tempa Spare Wheel and Jack Kit	–	–	–	nco	nco	nco
Autofolding Power Door Mirrors with Ground Lights	£170.21	£29.79	£200.00	o	•	•
Rear Park Assist	£319.15	£55.85	£375.00	o	•	•

<b>OPTIONAL EQUIPMENT – INTERIOR</b>	<b>Basic £</b>	<b>VAT £</b>	<b>Rec Retail Price £</b>	<b>S</b>	<b>SE</b>	<b>SE LUX</b>
Powershift (6 Speed Automatic Transmission) (2.0D only)	£1,234.04	£215.96	£1,450.00	o	o	o
Geartronic Transmission (Not 2.0D)	£1,148.94	£201.06	£1,350.00	n/a	o	o
Keyless Drive	£297.87	£52.13	£350.00	o	o	o
Power Driver's Seat with Seat Memory <sup>(i)</sup>	£523.40	£91.60	£615.00	o	o	•
Power Driver and Passenger Seats with Driver's Seat Memory <sup>(i)</sup>	£1,046.81	£183.19	£1,230.00	o	o	u (£615)
Heated Front Seats	£225.53	£39.47	£265.00	o	o	o
Aluminium Trim	£221.28	£38.72	£260.00	o	•	•
Aluminium Trim, including Leather Sports Steering Wheel with Aluminium Gear Knob with Aluminium Insert and Leather Handbrake Lever	£442.55	£77.45	£520.00	o	u (£260)	u (£260)
Oyster Burst Trim	£221.28	£38.72	£260.00	o	nco	nco
Nordic Light Oak Trim	£442.55	£77.45	£520.00	o	u (£260)	u (£260)
Haverdal Leather/T-Tec Upholstery	£510.64	£89.36	£600.00	o	•	n/a
Leather-faced Upholstery (Standard on SE Premium models)	£1,021.28	£178.72	£1,200.00	o	u (£600)	•
Sovereign Hide Soft Leather Upholstery	£1,702.13	£297.87	£2,000.00	o	u (£1400)	u (£800)
6 x CD Player (MP3/WMA Compatible) <sup>(ii)</sup>	£68.09	£11.91	£80.00	o	o	o
High Performance Sound Audio System – 1 x CD/Radio, 4 x 40W Amplifier, USB and Aux Input and 8 Speakers	£340.43	£59.57	£400.00	o	•	•
Dynaudio Premium Sound Audio System – with Dolby Pro Logic II Surround Sound <sup>(iii)</sup> , 5 x 130W Amplifier, USB and Aux Input and 12 Speakers	£851.06	£148.94	£1,000.00	o	o	o
Subwoofer (2 x 6.5" Subwoofer with 2 x 130 W Amplifier)	£174.47	£30.53	£205.00	o	o	o
Satellite Navigation System (RTI) with RDS-TMC and Map Data on Hard Disk <sup>(iv)</sup> (Standard on Premium models)	£1,659.57	£290.43	£1,950.00	o	o	o
Bluetooth® Handsfree System	£225.53	£39.47	£265.00	o	•	•
Dual Band Integrated GSM Telephone and Volvo On Call <sup>(v)</sup>	£438.30	£76.70	£515.00	o	o	o







	Basic £	VAT £	Rec Retail Price £	S	SE	SE LUX
<b>WINTER PACK</b>						
Heated Front Seats and Headlamp Cleaning System	£319.15	£55.85	£375.00	o	o	n/a
Winter Pack with Active Bending Lights	£787.23	£137.77	£925.00	o	o	n/a
<b>CONVENIENCE PACK</b>						
Autodimming Rear View Mirror, Autofolding Power Door Mirrors with Ground Lights, Rain Sensor and Cargo Net	£480.85	£84.15	£565.00	o	•	•

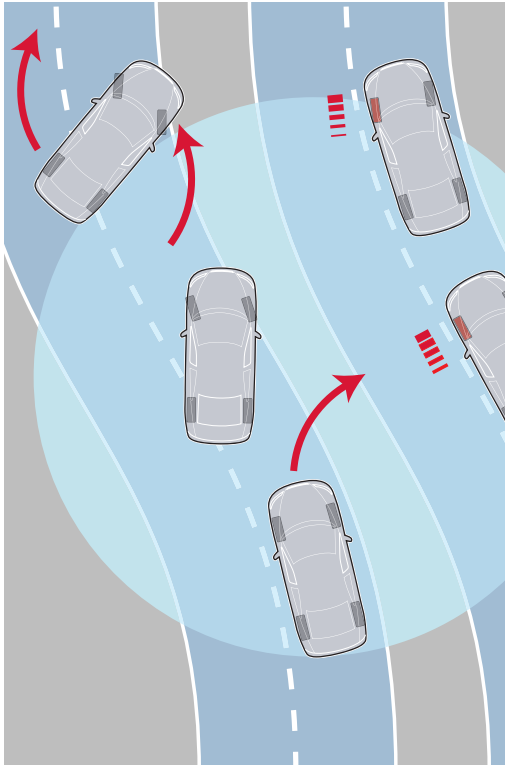
• = standard, o = optional, nco = no cost option, u(£) = upgrade, ® = Registered Trademark.

- (i) Power Driver's Seat with Seat Memory or Power Driver and Passenger Seats must be combined with Autofolding Power Door Mirrors with Ground Lights.
- (ii) If 6 x CD Player is ordered, the standard USB port is removed from the audio system.
- (iii) Dolby and Pro Logic Surround Sound™ are trademarks of Dolby Laboratories Licensing Corporation.
- (iv) Must be ordered in conjunction with High Performance or Dynaudio Premium Sound audio system.
- (v) Volvo On Call includes Safety package (Security package available at additional cost).



# Inside information.

Here you can learn more about the features and technology of your New Volvo C70. Some are standard, some are optional. For more detailed information, please contact your Volvo dealer or visit [www.volvocars.co.uk](http://www.volvocars.co.uk)



## Dynamic Stability and Traction Control (DSTC)

Dynamic Stability and Traction Control, DSTC, enhances driving stability and helps you maintain traction in a wide range of situations. At the core of DSTC, a gyroscope senses the car's direction and compares this with steering wheel movements as well as the actual rotation of the car's wheels. DSTC is able to detect a potential skid and help counteract one by reducing the engine's power output, or braking on one or more wheels.

## Whiplash Protection System (WHIPS)

Integrated in the front seats, Volvo's WHIPS cradles the occupant to help reduce the risk of whiplash injury (one of the most common types of traffic injury and often the result of low-speed rear impact collision). The function is activated by a collision of sufficient force from behind. Independent research has shown that WHIPS is one of the most effective systems in the world and can reduce the risk of long-term injuries by 50%.



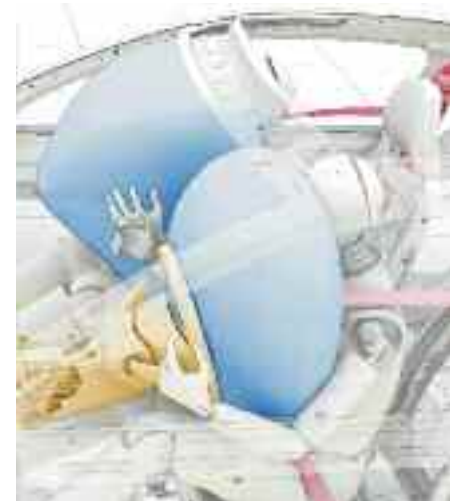
## Side Impact Protection System (SIPS)

SIPS is a Volvo unique safety system that has been developed to help protect where occupants are most exposed to the crash forces. The steel framework of the car, including the front seats, is designed and reinforced to help displace the impact of a side-collision away from the occupants to other parts of the car body and help prevent intrusion into the cabin. The side structure is extremely strong to help withstand a severe side impact, even with a larger vehicle. The IC (Inflatable Curtain) for all the outboard occupants and the front seat side airbags interact to help provide further protection.



## ISOFIX

ISOFIX attachments only allow you to fit the child seat in the correct way. They also make the child seat easier to fit and remove. We offer two rear-facing child seats with ISOFIX attachments: one for infants and small children up to 13 kg, and one for children weighing between 9 and 18 kg.



## Inflatable Curtain (IC)

The Inflatable Curtain (IC) helps protect the heads of both front and rear outboard occupants. It also stays inflated for some seconds to provide prolonged protection for subsequent impacts.



## Dual-stage airbags, driver and front passenger

In a frontal collision, the driver and passenger airbags help protect your head, face and chest. The system varies their level of inflation depending on the force of the collision. Should the collision force be sufficiently low that the airbags aren't needed, it will deploy the safety belt pre-tensioners.



**Integrated Bluetooth® handsfree system**

Bluetooth® technology enables a mobile phone to be connected to the infotainment system in your Volvo, wirelessly. Once configured for a mobile phone, the system automatically recognises your phone as you enter the car. And as you climb in and out of the car, the system automatically allows you to switch freely from the phone to the handsfree system and back again. With Volvo's integrated Bluetooth® handsfree system you conveniently operate your phone using the buttons in the steering wheel or the centre console keypad. Available as an accessory, there's also a voice-controlled Bluetooth® handsfree system that will listen to your command and make calls for you.

The Bluetooth word mark and logos are owned by the Bluetooth SIG, Inc. and any use of such marks by Volvo Car Corporation is under licence. Other trademarks and trade names are those of their respective owners.



**Autofolding Power Door Mirror with Ground Lights**

At the touch of a button, these door mirrors can be folded flat against the car where they are less likely to get damaged after you've parked. They also fold or unfold automatically every time you lock or unlock the car. The integrated ground lighting is activated with the remote control. Beyond enhancing security to and from your car at night, this is also convenient when getting in and out.



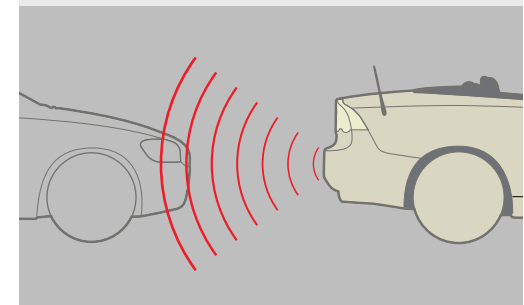
**Keyless Drive**

Keep the car key in your pocket or handbag. Using the keyless drive technology you can unlock the doors and drive away without using the car key. To start the engine, just turn the starter control in the instrument panel.



**Road and Traffic Information (RTI)**

Volvo's GPS-based RTI navigation system offers both voice guidance and graphic navigation all the way to your destination. Via TMC (Traffic Message Channel) radio data broadcasts, RTI also lets you know if there's weather-related trouble on route and recommends an alternative. Extremely swift and precise, this new generation RTI features a hard disc drive covering maps for major parts of Europe. The system is fully integrated in your Volvo and is easily controlled from the steering wheel or optional remote, and the screen is positioned so you can keep your attention on traffic. You can choose between two operating modes – Easy and Advanced. When RTI is not needed, the screen is hidden into the dash. To help you keep track of new roads and points of interest, you can join our MapCare programme for two free map updates.



**Park Assist**

Activated when you engage reverse gear, rear park assist helps you when reversing into tight spaces. The audio system is turned down and a pulsating sound from the rear loudspeakers becomes a continuous tone as you approach an obstacle.

# Accessories from Volvo.

Of course, your new Volvo C70 won't be perfect until it's exactly how you want it. So here's a selection of our range of accessories to completely personalise your new car.



### Towbars

Our lockable, easy-to-remove towbars are designed specifically for your Volvo.



### USB and iPod® Music Interface

Simply connect your iPod® or USB device and seamlessly integrate with your Volvo's audio system.



### Car cover

This cover is the ideal way to protect your car and can be locked to help deter theft.



### Rear seat cover

This durable cover is the perfect way to let the rear seat double as an extra loading space.



18" Draco  
Split, Silver Bright



**Comfort pillow** Enjoy comfortable, relaxing support for the head and neck, especially on long journeys.



### Wind deflector

Effectively reduces draughts for those sitting in the front, improving the comfort level at all speeds.





**Protective bumper cover**

Helps keep clothes clean while protecting the rear bumper from scratches and other marks.



**Portable navigation system**

Designed to complement your Volvo, this easy-to-use Garmin nüvi® navigation unit guides you all the way.



**Infant seat (up to 13 kg)**

Infants can travel safely backwards in this comfortable, easy-to-carry seat with five-point harness.



**Cacao textile mats**

With a reverse side of waterproof rubber, these stylish mats integrate perfectly into the interior design.



**Calcite floor mats**

Colour-coordinated to the design of the interior, these textile mats protect your Volvo's original carpets.



**Bluetooth® handsfree system**

Switch freely from mobile phone to handsfree with the system that recognises your Bluetooth® compatible mobile.



**Tow bar mounted bike rack**

This state-of-the-art holder secures your bicycles conveniently and safely on the back of your Volvo.

Take a look at all our accessories and full pricing information at [www.volvocars.co.uk/accessories](http://www.volvocars.co.uk/accessories)

**COLOUR YOUR VOLVO.** When it comes to the appearance of your Volvo, the choice of exterior colour and wheels are probably your most important design decisions. For more exterior styling options and to build your new Volvo online, please visit [www.volvocars.co.uk](http://www.volvocars.co.uk)



019 Black Stone



426 Silver metallic



452 Black Sapphire metallic



466 Barents Blue pearl



467 Magic Blue pearl



474 Celestial Blue pearl



477 Inscription™ Electric Silver coarse flake metallic  
(sparkling metallic, shifts from silver to blue effect depending on light)



487 Inscription™ Ember Black pearl  
(shifts from deep black to copper effect depending on light)



491 Vanilla pearl  
Inscription



612 Passion Red



614 Ice White



702 Flamenco Red metallic

**Please note:** It's not possible to reproduce exact original shades in printed matter. Please ask your dealer to show you samples.

**Clean colours**

To reduce usage of environmentally hazardous solvents all Volvo exterior colours are water-based. What's more, our painting facilities are among the cleanest in the world.



**EXTERIOR DESIGN** Aluminium wheels



18" Midir  
Diamond Cut/Light Grey



18" Mirzam  
Silver Bright



17" Serapis  
Silver Bright



17" Sirona  
Diamond Cut/Light Grey

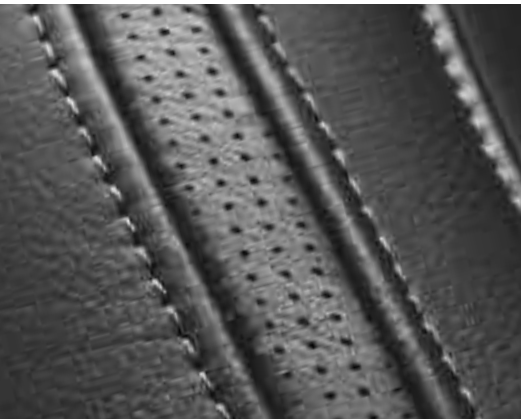


16" Castula  
Silver Stone



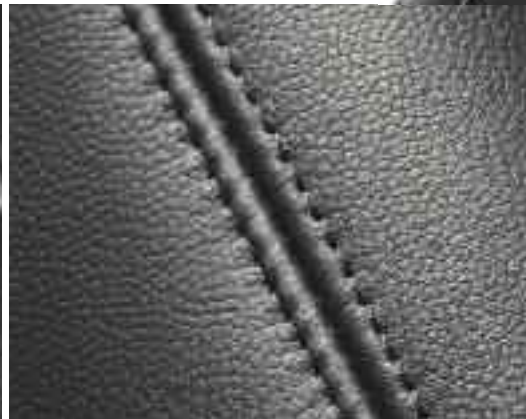
**IMAGINE YOUR NEW INTERIOR.** Crafted according to your requirements, the interior of your Volvo can take on any number of personalities. Choose between two interior colours, Off Black or Umbra, and different upholstery variants. Pick the interior that suits you and add the finishing touch with the interior trim, steering wheel, gear knob and floor mat of your choice. After all, you're probably going to spend a lot of time here.

**Ergonomic design** Developed in cooperation with ergonomic specialists to provide generous support for the body during hours of driving, the seats in the Volvo C70 are among the most comfortable in the automotive world. Multiple adjustment possibilities and adjustable lumbar support make it easy to find the perfect driving position.



**Sovereign Hide**

This full leather-faced upholstery is made from the finest Scottish hide. It's thick, soft to touch and has an exquisite natural grain.



**Leather-faced**

This is the upholstery that affords the Volvo C70 an atmosphere of luxury. It's a new hide quality that's smooth, durable and has a fine grain pattern. Like all Volvo leather-faced, it's organically tanned and ages beautifully.



**Haverdal**

A striking combination of durable T-Tec upholstery and smooth leather-faced, reflecting the dynamic properties of the Volvo C70.



**Borgholm**

Contemporary textile upholstery trimmed with ultra-modern T-Tec, inspired by wetsuits and durable outdoor gear.

## INTERIOR DESIGN



Leather steering wheel, Off Black



Leather gear knob, manual



Leather gear knob, Geartronic



Leather sports steering wheel with aluminium inlay, Off Black



Leather gear knob with aluminium inlay,  
manual



Leather gear knob with aluminium inlay,  
Geartronic

## INTERIOR DESIGN



Off Black textile mats



Quartz Beige textile mats



Bauxite centre stack and door panel inlays



Aluminium centre stack and door panel inlays



Oyster Burst centre stack and door panel inlays



Nordic Light Oak centre stack and door panel inlays

Upholstery	Upholstery code	Upholstery colour	Dashboard top & upper door panel	Lower door panel, lower dashboard & tunnel console	Floor mats	Door insert colour	Headliner colour
Sovereign Hide	5E77	Off Black	Off Black	Off Black	Off Black	Off Black	Quartz Beige
	5E79	Cacao	Off Black	Off Black	Off Black	Cacao	Quartz Beige
	5E78	Calcite	Off Black	Off Black	Off Black	Calcite	Quartz Beige
Leather-faced	5D7H	Off Black	Off Black	Off Black	Off Black	Off Black	Quartz Beige
	5D79	Cacao	Off Black	Off Black	Off Black	Cacao	Quartz Beige
	5D7M	Cranberry	Off Black	Off Black	Off Black	Cranberry	Quartz Beige
	5D78	Calcite	Off Black	Off Black	Off Black	Calcite	Quartz Beige
Haverdal	5677	Off Black	Off Black	Off Black	Off Black	Off Black	Quartz Beige
	5681	Quartz Beige	Dark Umbra	Quartz Beige	Quartz Beige	Quartz Beige	Quartz Beige
Borgholm	5577	Off Black	Off Black	Off Black	Off Black	Off Black	Quartz Beige



**INTERIOR DESIGN** Sovereign Hide



Off Black in Off Black interior, 5E77



Cacao in Off Black interior, 5E79



Calcite in Off Black interior, 5E78

**INTERIOR DESIGN** Leather-faced



Off Black in Off Black interior, 5D7H



Cacao in Off Black interior, 5D79



Cranberry in Off Black interior, 5D7M



Calcite in Off Black interior, 5D78

**INTERIOR DESIGN** Haverdal



Haverdal, T-Tec/Leather-faced, Off Black in Off Black interior, 5677



Haverdal, T-Tec/Leather-faced, Quartz in Umbra interior, 5681

**INTERIOR DESIGN** Borgholm



Borgholm, textile, Off Black in Off Black interior, 5577

**Please note:** It's not possible to reproduce exact original shades in printed matter. Please ask your dealer to show you samples.

# In fine detail.

The nuts and bolts of your Volvo C70. Whatever you need to know about your new car – whether that's fuel consumption, CO<sub>2</sub> emissions, top speed or boot space – you'll find it here.

ENGINE		2.4i	T5	2.0D	D5
Configuration		Transverse – 20 valve	Transverse – 20 valve	Transverse – 16 valve	Transverse – 20 valve
Cylinders		5	5	4	5
Engine capacity, cc		2435	2521	1997	2400
Bore x stroke, mm		83 x 90	83 x 93	85 x 88	81 x 93.2
Max. output ECE,	PS kw rpm	170 125 6000	230 169 5000	136 100 4000	180 132 4000
Max. torque ECE,	Nm rpm	230 4400	320 1500-4800	320 2000	400 2000-2750
Octane rating		95-98 RON <sup>(i)</sup> unleaded	95-98 RON <sup>(i)</sup> unleaded	N/A – Turbo Diesel	N/A – Turbo Diesel
Fuel system		Multipoint Fuel Injection	Multipoint Fuel Injection	Common Rail Direct Injection	Common Rail Direct Injection
Compression ratio		10.3:1	9.0:1	18.5:1	17.3:1

PERFORMANCE	2.4i		T5		2.0D		D5	
	Manual	Geartronic	Manual	Geartronic	Manual	Powershift	Manual	Geartronic
Top speed, mph	137	134	150	146	127	127	140	140
Acceleration 0-60mph, sec	8.5	9.3	7.0	7.4	10.3	10.5	8.6	8.8
0-62mph (0-100kmh), sec	9.1	10.0	7.6	8.0	11.0	11.1	9.0	9.5
Drag co-efficient	0.31		0.31		0.31		0.31	

FUEL CONSUMPTION <sup>(ii)(iii)</sup>	2.4i		T5		2.0D		D5	
	Manual	Geartronic	Manual	Geartronic	Manual	Powershift	Manual	Geartronic
(Government Approved) Mpg (l/100km)								
Urban	21.9 (12.9)	20.5 (13.8)	21.9 (12.9)	20.2 (14.0)	35.8 (7.9)	34.9 (8.1)	32.5 (8.7)	28.0 (10.1)
Extra Urban	42.2 (6.7)	40.4 (7.0)	42.8 (6.6)	42.2 (6.7)	57.6 (4.9)	53.3 (5.3)	52.3 (5.4)	49.6 (5.7)
Combined	31.4 (9.0)	29.4 (9.6)	31.7 (8.9)	30.1 (9.4)	47.1 (6.0)	44.8 (6.3)	42.8 (6.6)	38.7 (7.3)
CO <sub>2</sub> g/km	215	229	209	219	158	167	174	193
VED (Vehicle Excise Duty) Band	K	L	K	K	G	H	H	J
Emission Level	Euro IV		Euro V		Euro IV		Euro IV	

NB All diesel models are fitted with a Diesel Particulate Filter



LUGGAGE COMPARTMENT		All models
Volume, litres (cu. ft)	Roof Up Roof Down	404 (14.3) 200 (7.1)

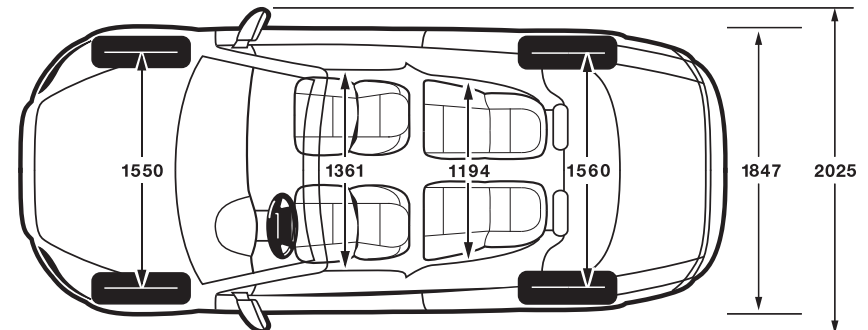
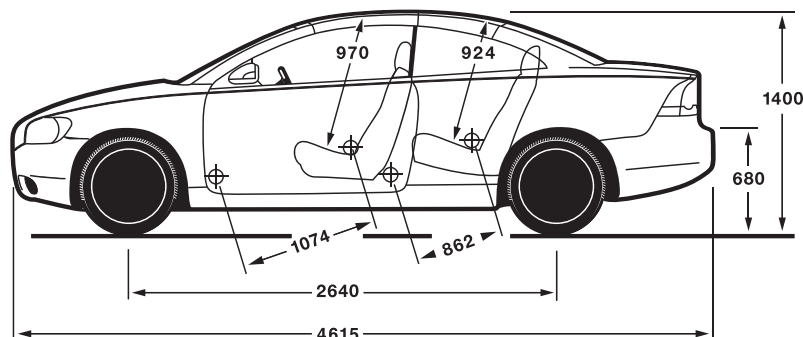
POWER STEERING SYSTEM	
(rack & pinion) Turning Circle m (ft)	11.8 (38.7)

	2.4i	T5	2.0D	D5
Brakes				
Disc Diameter Front, mm	320 ventilated	320 ventilated	300 ventilated	320 ventilated
Disc Diameter Rear, mm	280	280	280	280
Transmission				
Manual	5 speed	6 speed	6 speed	6 speed
Geartronic	5 speed	5 speed	-	5 speed
Powershift (Automatic Gearbox)	-	-	6 speed	-
Fuel Tank Volume litres (gallons)	62 (13.6)	62 (13.6)	52 (11.4)	60 (13.2)

INSURANCE GROUPS		2.4i	T5	2.0D	D5
Volvo C70	S	-	-	15E	-
	SE	16E	-	15E	16E
	SE Lux	16E	16E	15E	16E

E = Exceeds security requirements for model concerned and group rating has been reduced.

WEIGHTS	2.4i		T5		2.0D		D5	
	Manual	Geartronic	Manual	Geartronic	Manual	Powershift	Manual	Geartronic
Min. kerb weight, kg (actual kerb weight dependent on spec.)	1707	1730	1743	1757	1712	1740	1773	1785
Max. possible towing weight braked, kg	1500	1500	1500	1500	1500	1500	1500	1500
Max. towing weight unbraked approx, kg <sup>(iv)</sup>	750	750	750	750	750	750	750	750
Max. towball weight, kg	75	75	75	75	75	75	75	75
Max. total weight, kg	2070	2090	2090	2100	2090	2110	2130	2150
Max. payload, kg (dependent on spec.)	363	360	347	343	378	370	375	365



- (i) For best performance and lowest fuel consumption 98 RON is recommended, 95 RON can be used for normal driving.
- (ii) The results do not express or imply any guarantee of the fuel consumption of a particular car.
- (iii) Official fuel consumption figures are obtained in accordance with Directive 93/116/EC as amended by 1999/100/EC. The figures are obtained under controlled test conditions and as such consumption achieved on the road will not necessarily accord with the official test results. Factors including driving styles and road, car and weather conditions will also have a bearing on actual fuel consumption achieved.
- (iv) Unbraked towing weight must not exceed 50% of kerb weight up to a maximum of 700 kg.

#### Notes

The weight of a vehicle will influence the level of CO<sub>2</sub> emitted and, as a result, vehicles with higher levels of specification and factory fit options may emit higher levels of CO<sub>2</sub>. Once a vehicle has been built it will be given its own specific CO<sub>2</sub> emission on which the Vehicle Excise Duty will be charged. However, Vehicle Excise Duty is charged according to the weight and CO<sub>2</sub> emissions of the standard vehicle, as published in this price list. The weight effect of any additional items does not affect the amount of Vehicle Excise Duty payable.

A weighbridge must be used to determine specific weights.

Data valid for manual transmission unless specified.

All measurements in mm.

The Max. output figures are quoted in PS (Pferdestärke), which is the metric equivalent of brake horsepower.

NB Some of the information in this price list may not be correct due to product changes which may have occurred since it was printed. Some of the equipment described or shown may now be available only at extra cost. Before ordering, please ask your Volvo dealer for the latest information. The manufacturer reserves the right to make changes at any time, without notice, to prices, colour, materials, specifications and models.

Volvo Car UK Limited, Globe Park, Marlow, Buckinghamshire, SL7 1YQ.

# Meet the family.

## Fuel consumption and CO<sub>2</sub> emissions for the Volvo range:

Fuel consumption mpg (l/100 km):  
Urban: 57.7 (4.9) – 14.1 (20.0).  
Extra Urban: 83.1 (3.4) – 28.8 (9.8).  
Combined: 74.3 (3.8) – 20.9 (13.5).  
CO<sub>2</sub> emissions: 99 – 322g/km.

**Please note:** Some of the information in this brochure may be incorrect due to changes in product specification that may have occurred since printing. Some of the equipment described or shown may now only be available at extra cost. Before ordering, please ask your Volvo dealer for the latest information. The manufacturer reserves the right to make changes at any time and without notice, to prices, colours, materials, specifications and models.

**Furthermore:** There are options, accessories and packages that can be chosen separately or combined as you like. For more information, please contact your Volvo dealer.

# S



**Volvo S40** The compact and energetic saloon.



**Volvo S80** The premier saloon, meticulously engineered for superior driving comfort.

# V



**Volvo V50** The Sportswagon — flexible, compact and full of zest.



**Volvo V70** The genuine family estate — highly competitive yet comfortably versatile.

# XC



**Volvo XC60** A sporty coupe and a capable all-roader fused into a Swedish crossover experience.



**Volvo XC70** The rugged yet stylish all-roader.



**Volvo XC90** The versatile SUV that takes you anywhere with grace.

# C



**The new Volvo C30** The compact and charismatic SportsCoupe.



**The new Volvo C70** A retractable hardtop convertible that seats four adults with comfort.



# The end is just the beginning.

## **VOLVO TOTAL CARE**

**We want your experience of buying and owning a Volvo to be one of life's pleasures, that's why we're here to make it as care-free and easy as possible. It's simple – Volvo Total Care is a single port of call for all your motoring requirements, from funding your purchase to protecting your investment with Volvo Car Insurance to monthly payment plans for servicing. We will even provide you with special offers during your ownership. Volvo Total Care is designed to make owning a Volvo rewarding. For further information on Volvo Total Care please contact your dealer or go to [www.volvocars.co.uk/totalcare](http://www.volvocars.co.uk/totalcare)**

## **FINANCE**

Volvo Car Financial Services have developed a series of funding plans that will provide you with a range of choices and flexibility when acquiring a Volvo<sup>®</sup>. For details of the current promotions available, please visit [www.volvocars.co.uk/financepromotions](http://www.volvocars.co.uk/financepromotions).

**WHAT NEXT?** If you'd like to find out more about the range of products and services that make up Care by Volvo, the story continues at [www.volvocars.co.uk](http://www.volvocars.co.uk). Alternatively you can contact your nearest Volvo dealer or request relevant brochures.

- (i) Finance subject to status. Terms and conditions apply. Guarantees/Indemnities may be required. Applicants must be 18 or over. Volvo Car Financial Services RH1 1SR.
- (ii) When using a Volvo approved Body and Paint repairer.
- (iii) Volvo Car Insurance is underwritten by Royal & Sun Alliance Insurance plc (No. 93792). Registered in England and Wales at St Mark's Court, Chart Way, Horsham, West Sussex RH12 1XL. Authorised and regulated by the Financial Services Authority. For your protection telephone calls will be recorded and may be monitored. All benefits are subject to qualifying status, terms and conditions, cover level and underwriting criteria. Service and repair benefits are subject to being carried out by a recommended repairer.

## **INSURANCE**

Volvo Car Insurance is designed for Volvo drivers and because we know Volvos inside out, we can offer exactly the right tools and expertise, fitting only genuine Volvo parts by trained Volvo technicians<sup>®</sup>. Your Volvo will come with seven days drive away insurance, so you've already got peace of mind. Because Volvo drivers have an excellent reputation, we can also offer extensive cover at a reasonable price<sup>®</sup>.

Call now for your insurance quote on **0800 238 239**, quoting reference BROCH.

## **SERVICING YOUR VOLVO**

**Your Volvo dealer has the unique know-how to tailor a service programme according to Volvo's strict recommendations and guarantees you years of safety and driving pleasure. In addition, why not save yourself money on service costs by taking out a Volvo Service Plan? They're designed to spread servicing costs on an interest-free monthly basis, providing you with economic, convenient servicing and peace of mind.**

**Whatever option you choose your costs are fixed no matter what happens to labour, parts or oil prices. You will also have the satisfaction of being able to have your Volvo serviced at any one of our UK Volvo dealers and Service Centres. For further information and to purchase online please go to [www.volvocars.co.uk/serviceplan](http://www.volvocars.co.uk/serviceplan)**

## **VOLVO ON CALL**

Subscribe to Volvo On Call and you'll never be completely on your own. It's a GPS-based communication system providing 24-hour access to both emergency and roadside assistance wherever you are. See the Volvo On Call brochure for more information.

## **LOOKING AHEAD**

**You'll probably never find out just how good some of these services are. But should the unexpected happen, we'd like to think that you'd be even happier you chose a Volvo.**

## **ROADSIDE ASSISTANCE**

Every new car comes with one year's Volvo Assistance cover. You'll enjoy free breakdown and recovery assistance, anywhere in Europe, 24 hours a day. You can even extend cover for £85 for one year or £155 for two years. Call Volvo Assistance on **08701 650 978**.

## **WARRANTY**

Every new Volvo comes with comprehensive protection. Our warranty covers the first three years or 60,000 miles, whichever comes first. There's a three year unlimited mileage warranty on the paintwork, and either eight or twelve years against rust perforation. If a component fails due to a defect or material fault, your dealer will swiftly rectify the problem, free of charge.

**THERE'S MORE TO LIFE THAN A VOLVO.**

Volvo. for life



**THAT'S WHY YOU DRIVE ONE.**

**VOLVO**

**Volvo Car UK Limited**  
[www.volvocars.co.uk](http://www.volvocars.co.uk)

All "On The Road" prices quoted in this price list include Volvo standard national delivery charge, inclusive of number plates and VAT at £535 and the VED (Vehicle Excise Duty) car tax as of 1st May 2009. This charge does not include any provision for fuel. The "On The Road" price also includes a £55 vehicle first registration fee (as set by the government - excludes Channel Islands and Isle of Man). Recommended retail prices quoted do not include these additions.

MODEL YEAR 2010.5 EDITION 2
Issued 01/01/2010