

NEW VOLVO S80

PRICE AND SPECIFICATION







Create your perfect Volvo S80

Congratulations. You're only a few steps away from your perfect Volvo S80. This price list contains everything you need to create the car that's exactly right for you.

From selecting the right package and choosing from a range of class leading engines, through to picking the perfect colour and adding the finishing touches, you're in complete control. You'll also find full engine details and in-depth technical specifications to help you make the most informed choice.

Whatever you decide, you'll be choosing a car that epitomises modern Scandinavian luxury with beautiful yet functional design. Equal parts luxury express and sports saloon, when the mood takes you, it can justifiably lay claim to being the perfectly balanced automobile.





S80 SE

The SE aims to spoil. Its luxurious interior boasts supportive seats with Sundby Textile/T-Tec upholstery, power adjustable for the driver. Then there's the 8 speaker High Performance audio system with 160W output and intuitive features such as automatic rain sensor and autodimming rear view mirror with compass. On the outside, 17" Cassini alloy wheels and colour co-ordinated front spoiler and side mouldings make sure your presence doesn't go unnoticed.

S80 SE LUX

The SE Lux model is the ultimate in luxury. Leather-faced Upholstery, walnut wood inlays, heated and powered front seats and luxury floor mats further enhance the luxurious interior. 17" Canicula alloy wheels, Active Bending headlamps and rear park assist offer both style and protection.

S80 EXECUTIVE

The Executive is the ultimate in Volvo luxury. Elegant 18" Balius alloy wheels, the unique walnut wood executive console extends a warm welcome and the Executive Ventilated Soft Leather Upholstery with massage function and contrasting seams and piping adorns the seats and armrests. Additional features include our Premium Sound audio system with Dolby Pro Logic II Surround Sound™ and 12 Dynaudio loudspeakers.

PREMIUM

The Premium model is the ultimate upgrade⁽¹⁾. The combination of Leather-faced Upholstery and Satellite Navigation System (RTI) is designed to complement the existing high level of specification whichever model you choose.

S80 *DRIVE*

DRIVE means making a change for the better without compromise. The exterior styling is unmistakably Volvo, with strong curves and sleek lines – yet DRIVE enhancements like the lowered chassis and Creon alloy wheels add distinctive finishing touches. And these changes aren't just for show – they contribute to CO₂ emissions of just 129 g/km and fuel economy of up to 57.6 mpg*.

(1) Not available on the DRIVE or Executive models
* Based on a combined cycle

On the road

How much will it cost to get behind the wheel of your own Volvo S80? Simply decide which model variant and engine type are right for you and then take a look at the full price list below.

S80 SE

	Basic £	VAT £	Rec Retail Price £	On the Road Price £
PETROL				
2.5T (231 PS) SE	£22,352.17	£3,352.83	£25,705.00	£26,495.00
2.5T (231 PS) SE Premium ⁽ⁱ⁾	£24,091.30	£3,613.70	£27,705.00	£28,495.00
DIESEL				
1.6D (109 PS) DRIVe SE ⁽ⁱⁱ⁾	£18,304.35	£2,745.65	£21,050.00	£21,745.00 ⁽ⁱⁱⁱ⁾
1.6D (109 PS) DRIVe SE Premium ^{(i) (ii)}	£20,043.48	£3,006.52	£23,050.00	£23,745.00 ⁽ⁱⁱⁱ⁾
2.0D (136 PS) SE	£20,234.78	£3,035.22	£23,270.00	£23,995.00
2.0D (136 PS) SE Premium ⁽ⁱ⁾	£21,973.91	£3,296.09	£25,270.00	£25,995.00
2.4D (175 PS) SE	£21,973.91	£3,296.09	£25,270.00	£25,995.00
2.4D (175 PS) SE Premium ⁽ⁱ⁾	£23,713.04	£3,556.96	£27,270.00	£27,995.00
D5 (205 PS) SE	£23,713.04	£3,556.96	£27,270.00	£27,995.00
D5 (205 PS) SE Premium ⁽ⁱ⁾	£25,452.17	£3,817.83	£29,270.00	£29,995.00
FLEXIFUEL				
2.0F (145 PS) SE	£19,573.91	£2,936.09	£22,510.00	£23,300.00
2.0F (145 PS) SE Premium ⁽ⁱ⁾	£21,313.04	£3,196.96	£24,510.00	£25,300.00

S80 SE LUX

	Basic £	VAT £	Rec Retail Price £	On the Road Price £
PETROL				
2.5T (231 PS) SE Lux	£24,526.09	£3,678.91	£28,205.00	£28,995.00
2.5T (231 PS) SE Lux Premium ⁽ⁱ⁾	£25,613.04	£3,841.96	£29,455.00	£30,245.00
V8 AWD (315 PS) SE Lux Geartronic	£29,795.65	£4,469.35	£34,265.00	£35,245.00
V8 AWD (315 PS) SE Lux Geartronic Premium ⁽ⁱ⁾	£30,882.61	£4,632.39	£35,515.00	£36,495.00
DIESEL				
2.0D (136 PS) SE Lux	£22,408.70	£3,361.30	£25,770.00	£26,495.00
2.0D (136 PS) SE Lux Premium ⁽ⁱ⁾	£23,495.65	£3,524.35	£27,020.00	£27,745.00
2.4D (175 PS) SE Lux	£24,147.83	£3,622.17	£27,770.00	£28,495.00
2.4D (175 PS) SE Lux Premium ⁽ⁱ⁾	£25,234.78	£3,785.22	£29,020.00	£29,745.00
D5 (205 PS) SE Lux	£25,886.96	£3,883.04	£29,770.00	£30,495.00
D5 (205 PS) SE Lux Premium ⁽ⁱ⁾	£26,973.91	£4,046.09	£31,020.00	£31,745.00
FLEXIFUEL				
2.5FT (231 PS) SE Lux	£24,786.96	£3,718.04	£28,505.00	£29,295.00
2.5FT (231 PS) SE Lux Premium ⁽ⁱ⁾	£25,873.91	£3,881.09	£29,755.00	£30,545.00





S80 EXECUTIVE

	Basic £	VAT £	Rec Retail Price £	On the Road Price £
PETROL				
V8 AWD (315 PS) Executive Geartronic	£31,969.57	£4,795.43	£36,765.00	£37,745.00
DIESEL				
2.4D (175 PS) Executive Geartronic	£27,386.96	£4,108.04	£31,495.00	£32,245.00
D5 (205 PS) Executive Geartronic	£29,126.09	£4,368.91	£33,495.00	£34,245.00

(i) All Premium models include Leather-faced Upholstery and Satellite Navigation System (RTI).

(ii) Production commences end August 2009.

(iii) On the road price is an indication as it is based on Preliminary data, available at time of printing.



The right equipment

It's essential that your Volvo comes equipped with everything you need. Below you'll find the standard equipment lists for each model variant, plus optional equipment to personalise your Volvo S80. And as you'd expect, there is an array of industry-leading, cutting edge safety innovations.

STANDARD EQUIPMENT - SAFETY & SECURITY	SE	SE LUX	EXECUTIVE
Dual Stage Driver and Passenger Airbags	•	•	•
SIPS (Side Impact Protection System)	•	•	•
Dual Chamber SIPS Airbags	•	•	•
IC (Inflatable Curtain)	•	•	•
WHIPS (Whiplash Protection System)	•	•	•
ABS (Anti-lock Brake System) and FBS (Fading Brake Support) with HBA (Hydraulic Brake Assist), OHB (Optimised Hydraulic Brakes), EBD (Electronic Brake Distribution) and RAB (Ready Alert Brakes)	•	•	•
DSTC (Dynamic Stability and Traction Control)	•	•	•
5 Three Point Seat Belts	•	•	•
Seat Belt Pre-tensioners (Front and Rear)	•	•	•
Head Restraints - All 5 Seats	•	•	•
ISOFIX Attachment (Rear Seats)	•	•	•
Anti-theft Alarm including Immobiliser, Volume Sensor and Level Sensor	•	•	•
Key Integrated Remote Control Central Locking including Fuel Flap with Deadlocking System and Auto Open/Close Windows/Sunroof	•	•	•
Tinted Windscreen	•	•	•
Water Repellent Front Side Windows	•	•	•
PCC (Personal Car Communicator) with Heartbeat Sensor and Keyless Drive	•	•	•
Visible VIN Plate	•	•	•
Day Running Lights	•	•	•
Headlamp Levelling System	•	•	•
Adaptive Brake Lights including High Level LED Brake Light	•	•	•
Power Parking Brake	•	•	•
Side Marker Illumination	•	•	•
Home Safe and Approach Lighting	•	•	•
IDIS (Intelligent Driver Information System)	•	•	•
Warning Triangle	•	•	•

STANDARD EQUIPMENT - EXTERIOR	SE	SE LUX	EXECUTIVE
Metallic/Pearlescent Paint			•
16" Creon Alloy Wheels (Silver Stone) - 205/60 R16 V Tyres (DRIVE model only)	•		
17" Cassini Alloy Wheels (Silver Bright) - 225/50 R17 W Tyres	•		
17" Canicula Alloy Wheels (Silver Bright) - 225/50 R17 W Tyres		•	
18" Balus Alloy Wheels (Silver Bright) - 245/40 R18 Y Tyres			•
Locking Wheel Nuts	•	•	•
Tyre Sealant Kit	•	•	•
Active Bending Headlamps with Headlamp Cleaning System		•	•
Autofolding Power Door Mirrors with Ground Lights	•	•	•
Heated Washer Nozzles		•	•
Power Adjustable and Heated Door Mirrors	•	•	•
Front Fog Lights	•	•	•
Rain Sensor - Automatic Windscreen Wiper Activation	•	•	•
Grey Sill Covers and Stainless Steel Step Covers	•	•	•
Colour Co-ordinated Bumpers and Door Mirrors	•	•	•
Colour Co-ordinated Lower Door and Bumper Mouldings	•	•	•
Chromed Sections on Air Intake, Fog Light Surround, Lower Door Moulding and Rear Light Eyeliner	•	•	•
Rear Park Assist		•	•
Front Park Assist			•
Exterior Executive Badge			•
Electronic All Wheel Drive System with Instant Traction™ (Haldex Coupling) (V8 AWD Only)		•	•
Comfort Chassis			•
Lowered Dynamic Chassis	•	•	
DRIVE Lowered Chassis (DRIVE model only)	•		
Twin Aluminium Exhaust End Pipes (D5 and V8 AWD only)	•	•	•

STANDARD EQUIPMENT - INTERIOR

	SE	SE LUX	EXECUTIVE
ECC (Electronic Climate Control) with AQS (Air Quality System) and Pollen Filter	•	•	•
B Pillar Ventilation	•	•	•
Information Centre	•	•	•
Cruise Control	•	•	•
Speed Dependent Steering System with 3 Settings (Standard V8 AWD only)	•	•	•
Front and Rear Power Windows	•	•	•
Illuminated Driver and Passenger Vanity Mirrors	•	•	•
Front and Rear Reading Lights	•	•	•
Autodimming Rear View Mirror with Compass	•	•	•
Front and Rear Centre Armrest with Cupholders	•	•	•
Grocery Bag Holder	•	•	•
12V Socket (Front and Rear Tunnel Console/Cargo Area)	•	•	•
Power Driver's Seat with Seat Memory	•	•	•
Power Passenger Seat	•	•	•
Height Adjustable Driver and Passenger Seats with Lumbar Support	•	•	•
Heated Front Seats	•	•	•
Heated Rear Seats	•	•	•
Forward Folding Front Passenger Seat	•	•	•
Power Folding Rear Headrests	•	•	•
Leather Steering Wheel and Gear Knob (Walnut Wood Gear Knob - Executive)	•	•	•
Steering Wheel Remote Audio Controls	•	•	•
Silver Chronograph Instrument Dials (D5 and V8 AWD Only)	•	•	•
Chrome Rotary Knobs, Air Vents and Mannequin	•	•	•
Height and Reach Adjustable Steering Column	•	•	•
Cross Brushed Aluminium Trim	•	•	•
Walnut Wood Trim	•	•	•
Walnut Wood in Panels, Outer Centre Console and Gear Knob Inserts	•	•	•
Sundby Textile/T-Tec Upholstery	•	•	•
Leather-faced Upholstery (Standard on SE Premium and SE Lux models only)	•	•	•
Executive Ventilated Soft Leather Upholstery with Massage Function and Door Inserts including Extra Padded Front Door Armrests	•	•	•
Luxury Floor Mats	•	•	•
Executive Luxury Floor Mats with Contrast Piping	•	•	•
High Performance Sound Audio System - 1 x CD/Radio, 4 x 40W Amplifier, USB and Aux Input (MP3/WMA Compatible) and 8 Speakers	•	•	•
Dynaudio Premium Sound Audio System - 1 x CD/Radio with Dolby Pro Logic II Surround Sound ⁽¹⁾ , 5 x 130W Amplifier, USB and Aux Input (MP3/WMA Compatible) and 12 Dynaudio Speakers	•	•	•
Rear Seat Audio Console with Headphone Sockets x 2	•	•	•
Satellite Navigation System (RTI) with RDS-TMC, Remote Control with Europe DVD Maps (Standard on Premium models only)	•	•	•
Sunglasses Holder	•	•	•



(1) Dolby and Pro Logic Surround Sound™ are trademarks of Dolby Laboratories Licensing Corporation.

OPTIONAL EQUIPMENT - SAFETY & SECURITY	Basic £	VAT £	Rec Retail	SE	SE LUX	EXECUTIVE
			Price £			
BLIS (Blind Spot Information System)	£391.30	£58.70	£450.00	o	o	o
Passenger Airbag Cut Off Switch	£21.74	£3.26	£25.00	o	o	o
PCC (Personal Car Communicator) with Heartbeat Sensor and Keyless Drive	£434.78	£65.22	£500.00	o	o	•
ACC (Adaptive Cruise Control) with Distance Alert and Collision Warning with Auto Brake (not 2.0D and 2.0F) ⁽ⁱ⁾	£1,130.43	£169.57	£1,300.00	o	o	o
LDW (Lane Departure Warning) with DAC (Driver Alert Control) ⁽ⁱ⁾	£434.78	£65.22	£500.00	o	o	o
Laminated Side Windows	£260.87	£39.13	£300.00	o	o	o
IR (Infrared) Reflective Glass and Graduated Tinted Windscreen	£130.43	£19.57	£150.00	o	o	o
Power Child Locks (Rear Doors)	£65.22	£9.78	£75.00	o	o	o
Integrated Child Seat (Rear Centre Armrest)	£130.43	£19.57	£150.00	o	o	n/a
Homelink	£43.48	£6.52	£50.00	o	o	o

OPTIONAL EQUIPMENT - EXTERIOR	Basic £	VAT £	Rec Retail	SE	SE LUX	EXECUTIVE
			Price £			
Black Paint (Solid)	£217.39	£32.61	£250.00	o	o	n/a
Metallic/Pearlescent Paint	£521.74	£78.26	£600.00	o	o	•
Inscription™ Paint	£673.91	£101.09	£775.00	o	o	u (£175)
17" Canicula Alloy Wheels (Silver Bright) – 225/50 R17 W Tyres (Not V8)	–	–	–	nco	•	n/a
17" Cassini Alloy Wheels (Silver Bright) – 225/50 R17 Tyres (DRIVE only)	£652.17	£97.83	£750.00	o	n/a	n/a
17" Cassini Alloy Wheels (Silver Bright) – 225/50 R17 Tyres (Not V8)	–	–	–	•	nco	n/a
18" Odysseus Alloy Wheels (Silver Bright) – 245/40 R18 Y Tyres (Not DRIVE or 2.5FT)	£652.17	£97.83	£750.00	o	o	n/a
18" Fortuna Alloy Wheels (Diamond Cut) – 245/40 R18 Y Tyres (Not DRIVE or 2.5FT)	£652.17	£97.83	£750.00	o	o	u (£100)
Tempa Spare Wheel with Jack Kit	–	–	–	nco	nco	nco
Rear Park Assist	£304.35	£45.65	£350.00	o	•	–
Front and Rear Park Assist	£565.22	£84.78	£650.00	o	u (£300)	•
Load Compensating Suspension ^(xiv)	£434.78	£65.22	£500.00	•	•	o
Active Four-C Chassis (Continuously Controlled Chassis Concept) ^{(ii)(xv)}	£956.52	£143.48	£1,100.00	o	o	o

• = standard, o = option, n/a = not available, nco = no cost option, u (£) = upgrade, ® = Registered Trademark.

- (i) Cannot be ordered in conjunction with IR (Infrared) Reflective Glass and Graduated Tinted Windscreen.
- (ii) Cannot be combined with Load Compensating Suspension or DRIVE models.
- (iii) Heated Rear Seats must be combined with Heated Front Seats.
- (iv) Can only be combined with 2112, 2212, and 2412 upholsterys and is not available in combination with Walnut Wood Steering Wheel and Gear Knob.
- (v) Must be ordered in conjunction with Walnut Wood Trim.
- (vi) Must be ordered in conjunction with Power Driver/Passenger Seats and Heated Front Seats (SE models).
- (vii) If a 6 x CD Player is ordered, standard USB port is still standard with the audio system.
- (viii) Dolby and Pro Logic Surround Sound™ are trademarks of Dolby Laboratories Licensing Corporation.
- (ix) Must be ordered in conjunction with Rear Seat Entertainment.
- (x) Cannot be ordered in conjunction with Dual Band Integrated GSM Telephone and Volvo On Call.
- (xi) Volvo On Call includes Safety package (Security package available at additional cost).
- (xii) Cannot be ordered in conjunction with Bluetooth® Handsfree System.
- (xiii) Must be ordered in conjunction with accessory Rubber Floor Mats and Luggage Compartment Mat. CZIP cannot be combined with front and rear Ashtray with Cigarette Lighter.
- (xiv) Only available with the comfort chassis. Standard with the Dynamic Lowered Chassis.
- (xv) Load Compensating Suspension is deleted with this option.
- (xvi) Not available on 2.0F and 2.5FT.





OPTIONAL EQUIPMENT - INTERIOR	Basic £	VAT £	Rec Retail Price £	SE	SE LUX	EXECUTIVE
Geartronic Transmission (Standard V8) (not available on DRIVE, 2.0D and 2.0F)	£1,217.39	£182.61	£1,400.00	o	o	•
Speed Dependent Steering System with 3 Settings (Standard V8 AWD only)	£195.65	£29.35	£225.00	o	o	o
Power Glass Tilt and Slide Sunroof	£739.13	£110.87	£850.00	o	o	o
Sun Curtain (Rear Shelf)	£86.96	£13.04	£100.00	o	o	o
Sun Curtains (Rear Side Doors)	£130.43	£19.57	£150.00	o	o	o
Front and Rear Ashtray with Cigarette Lighter	–	–	–	nco	nco	nco
Power Driver and Passenger Seats with Driver's Seat Memory	£521.74	£78.26	£600.00	o	•	•
Heated Front Seats	£217.39	£32.61	£250.00	o	•	•
Heated Rear Seats ⁽ⁱⁱⁱ⁾	£217.39	£32.61	£250.00	o	o	•
Anthraccite Black Dash Top, Steering Wheel, Steering Column and Gear Knob ^(iv)	–	–	–	nco	nco	n/a
Walnut Wood Gear Knob Inserts (Geartronic Only) ^(v)	£43.48	£6.52	£50.00	o	o	•
Cross Brushed Aluminium Trim	–	–	–	•	nco	n/a
Walnut Wood Trim	£217.39	£32.61	£250.00	o	•	•
Modern Wood	£217.39	£32.61	£250.00	o	nco	n/a
Walnut Wood Steering Wheel ^(vi)	£217.39	£32.61	£250.00	o	o	o
Leather-faced Upholstery (Standard on SE Premium models)	£1,043.48	£156.52	£1,200.00	o	•	n/a
Ventilated Leather-faced Upholstery ^(vi)	£1,304.35	£195.65	£1,500.00	o	u (£300)	n/a
6 x CD Player ^(vii)	£65.22	£9.78	£75.00	o	o	o
DAB (Digital Audio Broadcasting) Radio	£217.39	£32.61	£250.00	o	o	o
Dynaudio Premium Sound Audio System – Dolby Pro Logic II Surround Sound ^(viii) , 5 x 130W Amplifier, USB and Aux Input (MP3/WMA Compatible) and 12 Dynaudio Speakers	£869.57	£130.43	£1,000.00	o	o	•
Rear Seat Entertainment with 1 x DVD Player in Front Centre Armrest, 2 x 8" screens, 2 x IR Headphones and Remote Control	£1,173.91	£176.09	£1,350.00	o	o	o
Rear Seat Audio Console with Headphone Sockets x 2	£86.96	£13.04	£100.00	o	o	•
Digital TV ^(ix)	£347.83	£52.17	£400.00	o	o	o
Satellite Navigation System (RTI) with RDS-TMC, Remote Control with Europe DVD Maps (Standard on Premium models)	£1,695.65	£254.35	£1,950.00	o	o	•
Bluetooth® Handsfree System ^(x)	£217.39	£32.61	£250.00	o	o	o
Dual Band Integrated GSM Telephone with Handset and Volvo On Call ^{(xi)(xii)}	£695.65	£104.35	£800.00	o	o	o
CZIP (Clean Zone Interior Package) ^(xiii)	£108.70	£16.30	£125.00	o	o	o
Refrigerator in Rear Centre Armrest – 2 x Glasses and Bottle Opener	£478.26	£71.74	£550.00	n/a	n/a	o

	Basic £	VAT £	Rec Retail Price £	SE	SE LUX	EXECUTIVE
WINTER PACK						
Heated Front Seats, Headlamp Cleaning System, Luxury Floor Mats and Heated Washer Nozzles	£413.04	£61.96	£475.00	o	n/a	n/a
Winter Pack with Active Bending Headlamps	£913.04	£136.96	£1,050.00	o	•	•
COMMUNICATIONS PACK^(x)						
Satellite Navigation System (RTI) with RDS-TMC, Remote Control with Europe DVD Maps, PCC (Personal Car Communicator) with Heartbeat Sensor and Keyless Drive and Bluetooth® Handsfree System	£1,826.09	£273.91	£2,100.00	o	o	n/a
DRIVER SUPPORT PACK (not DRIVE, 2.0D and 2.0F)⁽ⁱ⁾						
BLIS (Blind Spot Information System), ACC (Adaptive Cruise Control) with Distance Alert and Collision Warning with Auto Brake and LDW (Lane Departure Warning) with DAC (Driver Alert Control)	£1,304.35	£195.65	£1,500.00	o	o	o
R-DESIGN INTERIOR PACK (SE Premium & SE Lux Premium Models)^(xvi)						
Dynamic Sports Leather-faced Front Seats, R-DESIGN Leather Sports Steering Wheel, Sports Gear Knob, Unique Instrument Dials, Aluminium Trim, Sports Steering Wheel with Logo and Sports Floor Mats	£434.78	£65.22	£500.00	o	o	n/a



What's your style?

At Volvo we know everyone is different. And that's why you can choose from a whole spectrum of colours for the exterior of your Volvo S80. Whatever your style, you'll find the perfect shade for you.



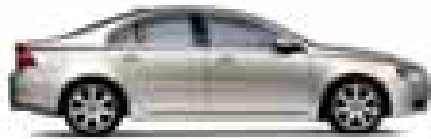
019 Black Stone



426 Silver metallic⁽ⁱ⁾



452 Black Sapphire metallic⁽ⁱ⁾



453 Inscription™ White pearl⁽ⁱⁱ⁾



454 Ruby Red pearl



455 Titanium Grey pearl⁽ⁱ⁾



467 Magic Blue pearl⁽ⁱ⁾



472 Oyster Grey pearl⁽ⁱ⁾



477 Inscription™ Electric Silver Coarse Flake metallic⁽ⁱ⁾



487 Inscription™ Ember Black pearl⁽ⁱ⁾



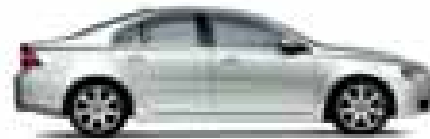
492 Savile Grey pearl⁽ⁱ⁾



493 Capar Green pearl



498 Caspian Blue metallic



614 Ice White⁽ⁱ⁾

NB It is not possible to reproduce exact original shades in printed matter. Please ask your Volvo dealer to show you samples. (i) S80 Executive only available with these colours. (ii) Exclusive to S80 Executive.

The wheels

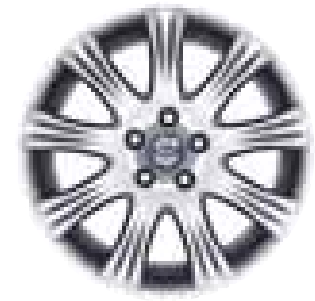
And now we come to one of the most important parts of choosing your new Volvo S80. Volvo alloy wheels come in a variety of different styles, cuts and finishes – each with its own distinct character.

Your selection of alloy wheel can dramatically influence the exterior styling of your Volvo S80. What will you choose?





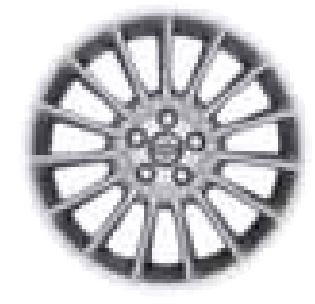
16" Creon
(Silver Stone)



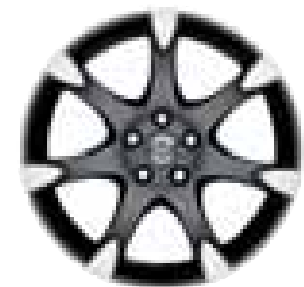
17" Cassini
(Silver Bright)



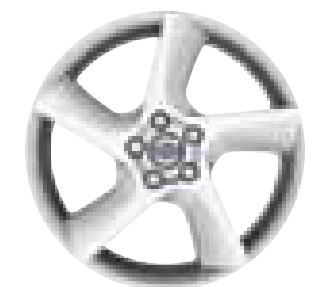
17" Canicula
(Silver Bright)



18" Balius
(Silver Bright)



18" Fortuna
(Diamond Cut)



18" Odysseus
(Silver Bright)



Bespoke tailoring from Volvo

The finest fabrics, superb stitching and minute attention to detail – whichever interior you choose for your Volvo S80 you'll be surrounded by luxury. How will you tailor yours?

VENTILATED LEATHER-FACED



Off Black (2201)



Soft Beige with
Off Black Panels (2202)



Soft Beige (2212)

LEATHER-FACED



Off Black (2101)



Soft Beige with
Off Black Panels (2102)



Soft Beige (2112)

DYNAMIC SPORTS LEATHER-FACED



Off Black (2L01)

SUNDBY TEXTILE/T-TEC



Off Black (2501)

EXECUTIVE VENTILATED SOFT LEATHER



Off Black (2G00)



Soft Beige with
Off Black Panels (2G02)



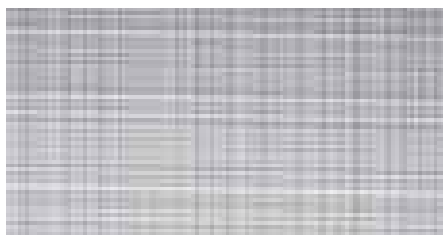
Soft Beige with
Soft Beige Panels (2G12)



Chestnut (2G0D)

Interior inlays

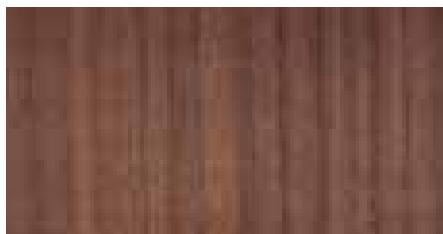
A selection of premium materials to complement your interior fabric.



Cross Brushed Aluminium



Walnut Wood



Modern Wood



RECESSION Aluminium



NB It is not possible to reproduce exact original shades in printed matter.

In fine detail

The nuts and bolts of your Volvo S80. Whatever you need to know about your new car – whether that's fuel consumption, CO2 emissions, top speed or boot space – you'll find it here.

ENGINE		2.5T	V8 AWD Gt	2.0D Man	2.4D	D5	2.0F Flexifuel Man	2.5FT Flexifuel	1.6D DRiVe
Configuration		Transverse 20 valve	Transverse 32 valve	Transverse 16 valve	Transverse 20 valve	Transverse 20 valve	Transverse 16 valve	Transverse 20 valve	Transverse 16 valve
Cylinders		5	8	4	5	5	4	5	4
Engine capacity, cc		2521	4414	1997	2400	2400	1999	2521	1560
Bore x stroke, mm		83 x 93.2	94 x 79.5	85 x 88	81 x 93.15	81 x 93.15	87.5 x 83.1	83 x 93.2	75 x 88.3
Max. output ECE,	PS kW rpm	231 170 4800	315 232 5950	136 100 4000	175 129 4000	205 151 4000	145 107 6000	231 170 4800	109 80 4000
Max. torque ECE,	Nm rpm	340 1700-4800	440 3950	320 2000	420 1500-2750	420 1500-3250	190 4500	340 1700-4800	240 1750
Octane rating		95 RON ⁽ⁱ⁾ unleaded	95 RON ⁽ⁱ⁾ unleaded	Turbo Diesel	Turbo Diesel	Turbo Diesel	95 RON ⁽ⁱ⁾ unleaded/ bio-ethanol (E85)	95 RON ⁽ⁱ⁾ unleaded/ bio-ethanol (E85)	Turbo Diesel
Fuel system		Multipoint fuel injection	Port fuel injection	Common rail direct injection	Common rail direct injection	Common rail direct injection	Multipoint fuel injection	Multipoint fuel injection	Common rail direct injection
Compression ratio		9.0:1	10.4:1	18.5:1	16.5:1	16.5:1	10.8:1	9.0:1	18.3:1

PERFORMANCE		2.5T		V8 AWD Gt	2.0D Man	2.4D		D5	2.0F Flexifuel Man	2.5FT Flexifuel		1.6D DRiVe Man	
		Man	Gt			Man	Gt	Man	Gt		Man	Gt	
Top speed (mph)		130	130	155	124	130	130	143	143	127	130	130	118
Acceleration 0-60 mph (sec)		6.9	7.1	6.0	10.4	8.4	9.0	7.5	8.5	11.0	6.9	7.1	11.7
0-62 mph (0-100 kmh) (sec)		7.3	7.5	6.5	11.0	8.9	9.5	8.0	8.0	11.6	7.3	7.5	12.4
Drag co-efficient		0.29		0.29	0.29	0.29		0.29		0.29	0.29		0.29

FUEL CONSUMPTION ⁽ⁱⁱ⁾⁽ⁱⁱⁱ⁾		2.5T		V8 AWD Gt	2.0D Man	2.4D		D5	2.0F Flexifuel Man ^(iv)	2.5FT Flexifuel		1.6D DRiVe Man	
		Man	Gt			Man	Gt	Man	Gt		Man ^(iv)	Gt ^(iv)	
Urban	mpg (l/100 km)	22.6 (12.5)	19.9 (14.2)	15.7 (18.0)	37.2 (7.6)	35.8 (7.9)	30.7 (9.2)	31.4 (9.0)	31.4 (9.0)	24.8 (11.4)	22.6 (12.5)	19.9 (14.2)	47.9 (5.9)
Extra Urban	mpg (l/100 km)	44.8 (6.3)	40.9 (6.9)	34.0 (8.3)	60.1 (4.7)	60.1 (4.7)	55.4 (5.1)	56.5 (5.0)	56.5 (5.0)	43.5 (6.5)	44.8 (6.3)	40.9 (6.9)	65.7 (4.3)
Combined	mpg (l/100 km)	32.8 (8.6)	29.4 (9.6)	23.7 (11.9)	49.6 (5.7)	47.9 (5.9)	42.8 (6.6)	45.6 (6.2)	42.2 (6.7)	34.0 (8.3)	32.8 (8.6)	29.4 (9.6)	57.7 (4.9)
CO2 g/km		206	229	284	151	155	174	164	178	199	206	229	129
VED (Vehicle Excise Duty) Band		K	L	G	D	G	H	G	I	F	K	L	D
Emission Level		Euro V		Euro IV	Euro IV	Euro IV		Euro V		Euro IV	Euro V		Euro IV

NB All diesel models are fitted with a Diesel Particulate Filter.

POWER STEERING SYSTEM		All models
(rack & pinion)	225 Tyres	11.2 (36.7)
Turning circle, m (ft)	245 Tyres	12.2 (40.0)

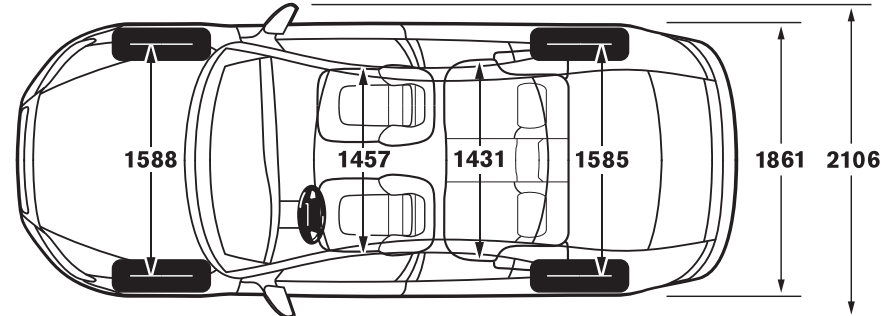
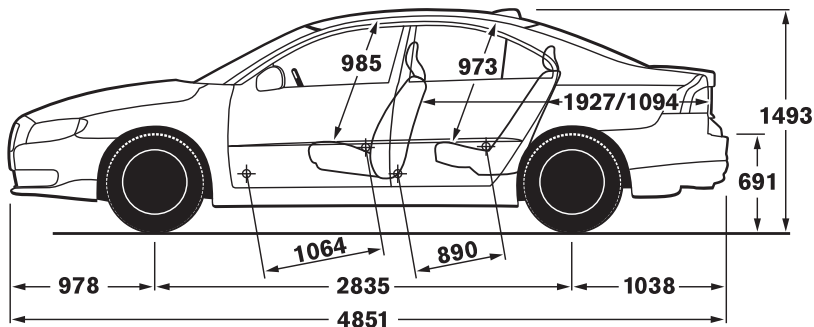
LUGGAGE COMPARTMENT	
Volume, litres (cu.ft)	422 (14.9)

		2.5T	V8 AWD Gt	2.0D Man	2.4D	D5	2.0F Flexifuel Man	2.5FT Flexifuel	1.6D DRIVe
Brakes		16"	17.5"	16"	16"	16"	16"	16"	16"
	Disc diameter front, mm	300	336	300	300	300	300	300	300
	Disc diameter rear, mm	302	302	302	302	302	302	302	302
Transmission	Man	6 speed	-	6 speed	6 speed	6 speed	5 speed	6 speed	5 speed
	Gt	6 speed	6 speed	-	6 speed	6 speed	-	6 speed	-
Fuel tank volume		70 (15.4)	70 (15.4)	70 (15.4)	70 (15.4)	70 (15.4)	70 (15.4)	70 (15.4)	70 (15.4)
	litres (gallons)								

INSURANCE GROUPS		2.5T	V8 AWD Gt	2.0D Man	2.4D	D5	2.0F Flexifuel Man	2.5FT Flexifuel	1.6D DRIVe
Volvo S80	SE	16P	18E	13E	15P	16P	13E	-	TBD
	SE Lux	16P	18E	14E	15P	16P	-	16P	-
	Executive	-	18E	-	15P	16P	-	-	-

E = Exceeds security requirements for model concerned and group rating has been reduced. P = Provisional insurance rating.

WEIGHTS	2.5T		V8 AWD Gt	2.0D Man	2.4D		D5	2.0F Flexifuel Man	2.5FT Flexifuel		1.6D DRIVe Man	
	Man	Gt			Man	Gt			Man	Gt		
Min. kerb weight, kg (actual kerb weight dependent on spec.)	1638	1655	1856	1642	1665	1685	1670	1690	1561	1638	1655	1586
Max. possible towing weight braked, kg	1600	1800	2000	1600	1600	1800	1600	2000	1320	1600	1800	1300
Max. towing weight unbraked approx, kg ^(v)	750	750	750	750	750	750	750	750	750	750	750	750
Max towball weight, kg	75	75	90	75	75	75	75	90	75	75	75	75
Max. total weight, kg	2150	2160	2320	2150	2190	2200	2190	2200	2060	2150	2160	2100
Max. roof load, kg	100	100	100	100	100	100	100	100	100	100	100	100
Max. payload, kg (dependent on spec)	512	505	464	508	525	515	520	510	499	512	505	514



- (i) For best performance and lowest fuel consumption 98 RON is recommended, 95 RON can be used for normal driving.
- (ii) The results do not express or imply any guarantee of the fuel consumption of a particular car.
- (iii) Official fuel consumption figures are obtained in accordance with Directive 93/116/EC as amended by 1999/100/EC. The figures are obtained under controlled test conditions and as such consumption achieved on the road will not necessarily accord with the official test results. Factors including driving styles and road, car and weather conditions will also have a bearing on actual fuel consumption achieved.
- (iv) CO₂ and fuel consumption is based on petrol operation.
- (v) Unbraked towing weight must not exceed 50% of kerb weight up to a maximum of 700 kg.

Notes

The weight of a vehicle will influence the level of CO₂ emitted and, as a result, vehicles with higher levels of specification and factory fit options may emit higher levels of CO₂. However, Vehicle Excise Duty is charged according to the weight and CO₂ emissions of the standard vehicle, as published in this price list. The weight effect of any additional items does not affect the amount of Vehicle Excise Duty payable.

A weighbridge must be used to determine specific weights. Data valid for manual transmission unless specified.

All measurements in mm.

Gt = Geartronic Automatic Transmission.

P/shift = Powershift Automatic.

S/S = Start/Stop technology.

The Max. output figures are quoted in PS (Pferdestärke), which is the metric equivalent of brake horsepower.

NB Some of the information in this price list may not be correct due to product changes which may have occurred since it was printed. Some of the equipment described or shown may now be available only at extra cost. Before ordering, please ask your Volvo dealer for the latest information. The manufacturer reserves the right to make changes at any time, without notice, to prices, colour, materials, specifications and models.

Volvo Car UK Limited, Globe Park, Marlow, Buckinghamshire, SL7 1YQ.

Accessories from Volvo

Of course, your Volvo S80 won't be perfect until it's exactly how you want it. And that's why we offer a range of accessories so you can completely personalise your new car. **The prices quoted below exclude fitting costs and are correct at time of going to press** – please confirm the total cost with your local Volvo dealer.

ACCESSORIES	Basic £	VAT £	Rec Retail Price £
EXTERIOR			
Aluminium Bike Rack (down tube clamp)	£53.13	£7.97	£61.10
Bike Rack (servo lift)	£113.17	£16.98	£130.15
Bike Rack (towbar mounted and collapsible)	£190.65	£28.60	£219.25
Load Carrier – wing profile	£87.68	£13.15	£100.83
Mud Flaps (front)	£23.41	£3.51	£26.92
Mud Flaps (rear)	£27.28	£4.09	£31.37
Roofbox – Sport Time 200 (440 litre volume) ⁽ⁱ⁾	£153.56	£23.03	£176.59
Ski/Snowboard Carrier with Sliding Rail	£67.32	£10.10	£77.42
Snow Chain – standard version (variety available) ...from	£256.90	£38.54	£295.44
Towbar – Detachable type with 13 Pin Electrics	£370.94	£55.64	£426.58
INTERIOR			
Garmin Portable Sat Nav	£310.64	£46.60	£357.24
Boot Mat – textile/rubber reversible	£88.58	£13.29	£101.87
Cooler/Hot Box (excludes power cable)	£70.85	£10.63	£81.48
Bluetooth® Hands-free Phone System ...from	£160.29	£24.04	£184.33
iPod Interface ⁽ⁱⁱⁱ⁾	£238.30	£35.75	£274.05
USB Interface ⁽ⁱⁱⁱ⁾	£238.30	£35.75	£274.05
Combined USB/iPod Interface ⁽ⁱⁱⁱ⁾	£238.30	£35.75	£274.05
Rubber Floor Mats (set of four)	£55.54	£8.33	£63.87
Sunblind – rear door windows (pair)	£26.31	£3.95	£30.26
Sunblind – rear window	£26.31	£3.95	£30.26
Table (rear centre armrest)	£17.71	£2.66	£20.37
CHILD			
Child Seat ISOFIX ⁽ⁱⁱ⁾	£127.40	£19.11	£146.51
Infant Seat ISOFIX ⁽ⁱⁱ⁾	£163.47	£24.52	£187.99
ISOFIX Base	£94.63	£14.19	£108.82
Baby Insert	£27.93	£4.19	£32.12
Child Booster Cushion	£30.69	£4.60	£35.29
Child Booster Backrest (to go with above)	£30.69	£4.60	£35.29

(i) Other roof boxes available – please ask your dealer for details.

(ii) VAT on Child Seats is 5%.

(iii) USB and iPod Interface standard on Premium and High Performance Sound.

For further information and a complete list of all Volvo Accessories, take a look at the Accessory website at www.volvocars.co.uk/accessories or visit your local dealer.

Try an S80 for yourself with Volvo Rental

Why not hire a Volvo S80 – or any other Volvo – from Volvo Rental? You'll be guaranteed to drive a Volvo prepared to the highest standards by your local Volvo dealer. Call 0800 400 430 for more information today.





The end is just the beginning

VOLVO TOTAL CARE

We want your experience of buying and owning a Volvo to be one of life's pleasures, that's why we're here to make it as care-free and easy as possible. It's simple - Volvo Total Care is a single port of call for all your motoring requirements, from funding your purchase to protecting your investment with Volvo Car Insurance to monthly payment plans for servicing. We will even provide you with special offers during your ownership. Volvo Total Care is designed to make owning a Volvo rewarding. For further information on Volvo Total Care please contact your dealer or go to www.volvocars.co.uk/totalcare

FINANCE

As part of Volvo, Volvo Car Finance has developed a series of funding plans that will provide you with maximum choice and flexibility when acquiring a Volvo⁽ⁱ⁾. For details of the current promotions available, please visit www.volvocars.co.uk/financepromotions

INSURANCE

Volvo Car Insurance is designed for Volvo drivers and because we know Volvos inside out, we can offer exactly the right tools and expertise, fitting only genuine Volvo parts by trained Volvo technicians⁽ⁱⁱ⁾. Your Volvo will come with seven days drive away insurance, so you've already got peace of mind. Because Volvo drivers have an excellent reputation, we can also offer extensive cover at a reasonable price⁽ⁱⁱⁱ⁾.

Call now for your insurance quote on **0800 238 239**, quoting reference BROCH.

WHAT NEXT? If you'd like to find out more about the range of products and services that make up Care by Volvo, the story continues at www.volvocars.co.uk. Alternatively you can contact your nearest Volvo dealer or request relevant brochures.

(i) Finance subject to status. Guarantees/indemnities may be required. Volvo Car Finance SL7 1YQ.

(ii) When using a Volvo approved Body and Paint repairer.

(iii) Volvo Car Insurance is underwritten by Royal & Sun Alliance Insurance plc (No. 93792). Registered in England and Wales at St Mark's Court, Chart Way, Horsham, West Sussex RH12 1XL. Authorised and regulated by the Financial Services Authority. For your protection telephone calls will be recorded and may be monitored. All benefits are subject to qualifying status, terms and conditions, cover level and underwriting criteria. Service and repair benefits are subject to being carried out by a recommended repairer.

SERVICING YOUR VOLVO

Your Volvo dealer has the unique know-how to tailor a service programme according to Volvo's strict recommendations and guarantees you years of safety and driving pleasure. In addition, why not save yourself money on service costs by taking out a Volvo Service Plan? They're designed to spread servicing costs on an interest-free monthly basis, providing you with economic, convenient servicing and peace of mind.

Whatever option you choose your costs are fixed no matter what happens to labour, parts or oil prices. You will also have the satisfaction of being able to have your Volvo serviced at any one of our UK Volvo dealers and Service Centres. For further information and to purchase online please go to www.volvocars.co.uk/serviceplan

VOLVO ON CALL

Subscribe to Volvo On Call and you'll never be completely on your own. It's a GPS-based communication system providing 24-hour access to both emergency and roadside assistance wherever you are. See the Volvo On Call brochure for more information.

LOOKING AHEAD

You'll probably never find out just how good some of these services are. But should the unexpected happen, we'd like to think that you'd be even happier you chose a Volvo.

ROADSIDE ASSISTANCE

Every new car comes with one year's Volvo Assistance cover. You'll enjoy free breakdown and recovery assistance, anywhere in Europe, 24 hours a day. You can even extend cover for £85 for one year or £155 for two years. Call Volvo Assistance on **08701 650 978**.

WARRANTY

Every new Volvo comes with comprehensive protection. Our warranty covers the first three years or 60,000 miles, whichever comes first. There's a three year unlimited mileage warranty on the paintwork, and either eight or twelve years against rust perforation. If a component fails due to a defect or material fault, your dealer will swiftly rectify the problem, free of charge.

Volvo. for life

For tax free sales, including Military, Diplomat and all other Export enquiries, contact Volvo Car UK Tourist & Diplomat Sales or Volvo Car UK British Military Sales on **01707 262 388** or e-mail to ics@volvocarslondon.co.uk or bms@volvocarslondon.co.uk

All 'On The Road' prices quoted in this price list include Volvo standard national delivery charge, inclusive of number plates and VAT at £520 and the VED (Vehicle Excise Duty) car tax as of 1st May 2009. This charge does not include any provision for fuel. The 'On The Road' price also includes a £55 vehicle first registration fee (as set by the government – excludes Channel Islands and Isle of Man). Recommended retail prices quoted do not include these additions.

NB Some of the information in this price list may not be correct due to product changes which may have occurred since it was printed. Before ordering, please ask your Volvo dealer for the latest information. The manufacturer reserves the right to make changes at any time, without notice, to prices, colour, materials, specifications and models.