

# VOLVO V50

PRICE AND SPECIFICATION



A photograph of a white Cessna airplane on a grassy airfield. The word "Cessna" is visible on the fuselage. Several people are standing near the aircraft, and another plane is visible in the background. The scene is set against a backdrop of mountains and a cloudy sky.

# Create your perfect Volvo V50

Congratulations. You're only a few steps away from your perfect Volvo V50. This price list contains everything you need to create the car that's exactly right for you.

From selecting the right package and choosing from a range of class leading engines, through to picking the perfect colour and adding the finishing touches, you're in complete control. You'll also find full engine details and in-depth technical specifications to help you make the most informed choice.

Whatever you decide, you'll be choosing a car with a zest for life and an eye for detail. The Volvo V50's full length pronounced shoulders give it a muscular presence, while the interior is the epitome of cutting edge technology.







## V50 S

The comprehensive specification includes ECC (Electronic Climate Control), 16" alloy wheels, DSTC (Dynamic Stability and Traction Control), power windows, leather steering wheel, a 6-speaker radio/CD system, auxiliary input for MP3 player and roof rails.

## V50 SE

The SE model brings added luxury to the Volvo V50 Sportswagon. 17" Zaurak alloy wheels, rain sensor, information centre, cruise control and an aluminium inlay are just some of the standard SE features.

## V50 SE LUX

The most luxurious version offers leather-faced upholstery, heated front seats and luxury floor mats whilst 17" Spartacus alloy wheels, autofolding power door mirrors with ground lights and a headlamp cleaning system identify this model from the outside.

## V50 *R*DESIGN

The striking exterior lines are enhanced with 17" Serapis alloy wheels with full bodykit and logo on the grille. The unique interior design is complemented with embossed Leather/T-Tec upholstery, sports steering wheel and unique aluminium inlay.

## V50 *R*DESIGN SE

This model combines the luxury features of the SE with the unique R-DESIGN interior details and the dramatic exterior sporty bodykit and 18" Midir alloy wheels.

## V50 *DRIVE*

DRIVE is a series of modifications, adjustments and enhancements designed to make it easy to reduce both your impact on the environment and your running costs. All V50 1.6D DRIVE models produce less than 120 g/km CO<sub>2</sub>, which means 12 months' vehicle excise duty of just £35. The S, SE and SE Lux models can benefit further from Start/Stop technology to produce only 104 g/km CO<sub>2</sub> and fuel consumption up to 72.4 mpg\*. See DRIVE page for more information.

\* Based on a combined cycle

# On the road

How much will it cost to get behind the wheel of your own Volvo V50? Simply decide which model variant and engine type are right for you and then take a look at the full price list below.

## V50 S

	Basic £	VAT £	Rec Retail Price £	On the Road Price £
<b>PETROL</b>				
1.6 S	£14,126.09	£2,118.91	£16,245.00	£16,995.00
1.8 S	£14,734.78	£2,210.22	£16,945.00	£17,695.00
<b>DIESEL</b>				
1.6D DRIVe S	£16,073.91	£2,411.09	£18,485.00	£19,095.00
1.6D DRIVe S with Start/Stop	£16,291.30	£2,443.70	£18,735.00	£19,345.00
2.0D S	£16,378.26	£2,456.74	£18,835.00	£19,560.00

## V50 SE

	Basic £	VAT £	Rec Retail Price £	On the Road Price £
<b>PETROL</b>				
1.8 SE	£16,039.13	£2,405.87	£18,445.00	£19,195.00
2.0 SE	£16,691.30	£2,503.70	£19,195.00	£19,945.00
<b>DIESEL</b>				
1.6D DRIVe SE	£17,378.26	£2,606.74	£19,985.00	£20,595.00
1.6D DRIVe SE with Start/Stop	£17,595.65	£2,639.35	£20,235.00	£20,845.00
2.0D SE	£17,682.61	£2,652.39	£20,335.00	£21,060.00
D5 SE	£18,986.96	£2,848.04	£21,835.00	£22,585.00
<b>FLEXIFUEL</b>				
1.8F SE	£16,300.00	£2,445.00	£18,745.00	£19,495.00





## V50 SE LUX

	Basic £	VAT £	Rec Retail Price £	On the Road Price £
<b>PETROL</b>				
2.0 SE Lux	£17,995.65	£2,699.35	£20,695.00	£21,445.00
<b>DIESEL</b>				
1.6D DRIVe SE Lux	£18,682.61	£2,802.39	£21,485.00	£22,095.00
1.6D DRIVe SE Lux with Start/Stop	£18,900.00	£2,835.00	£21,735.00	£22,345.00
2.0D SE Lux	£18,986.96	£2,848.04	£21,835.00	£22,560.00
D5 SE Lux	£20,291.30	£3,043.70	£23,335.00	£24,085.00

## V50 R-DESIGN

	Basic £	VAT £	Rec Retail Price £	On the Road Price £
<b>PETROL</b>				
1.8 R-DESIGN	£16,473.91	£2,471.09	£18,945.00	£19,695.00
2.0 R-DESIGN	£17,126.09	£2,568.91	£19,695.00	£20,445.00
T5 R-DESIGN	£19,517.39	£2,927.61	£22,445.00	£23,235.00
<b>DIESEL</b>				
1.6D DRIVe R-DESIGN	£17,813.04	£2,671.96	£20,485.00	£21,095.00
2.0D R-DESIGN	£18,117.39	£2,717.61	£20,835.00	£21,560.00
D5 R-DESIGN	£19,421.74	£2,913.26	£22,335.00	£23,085.00

## V50 R-DESIGN SE

	Basic £	VAT £	Rec Retail Price £	On the Road Price £
<b>PETROL</b>				
2.0 R-DESIGN SE	£18,300.00	£2,745.00	£21,045.00	£21,795.00
T5 R-DESIGN SE	£20,691.30	£3,103.70	£23,795.00	£24,585.00
<b>DIESEL</b>				
2.0D R-DESIGN SE	£19,291.30	£2,893.70	£22,185.00	£22,910.00
D5 R-DESIGN SE	£20,595.65	£3,089.35	£23,685.00	£24,435.00



# The right equipment

It's essential that your Volvo comes equipped with everything you need. Below you'll find the standard equipment lists for each model variant, plus optional equipment to personalise your Volvo V50. And as you'd expect, there is an array of industry-leading, cutting edge safety innovations.

<b>STANDARD EQUIPMENT - SAFETY &amp; SECURITY</b>	<b>S</b>	<b>SE</b>	<b>SE LUX</b>	<b>R-DESIGN</b>	<b>R-DESIGN SE</b>
Dual Stage Driver and Passenger Airbags	•	•	•	•	•
SIPS (Side Impact Protection System)	•	•	•	•	•
SIPS Airbags	•	•	•	•	•
IC (Inflatable Curtain)	•	•	•	•	•
WHIPS (Whiplash Protection System) (Front Seats)	•	•	•	•	•
ABS (Anti-lock Brake System) with EBD (Electronic Brake Distribution) and Electronic Brake Assistance	•	•	•	•	•
DSTC (Dynamic Stability and Traction Control)	•	•	•	•	•
5 Three Point Seat Belts	•	•	•	•	•
Seat Belt Pre-tensioners (Front and Outer Rear)	•	•	•	•	•
Head Restraints – All 5 Seats	•	•	•	•	•
ISOFIX Attachment (Rear Seats)	•	•	•	•	•
Anti-theft Alarm including Immobiliser and Level Sensor	•	•	•	•	•
Key Integrated Remote Control Central Locking including Fuel Flap with Deadlocking System	•	•	•	•	•
Auto Open/Close Windows/Sunroof	•	•	•	•	•
Tinted Windows	•	•	•	•	•
Load Cover and Load Protection Net	•	•	•	•	•
Water Repellent Side Windows	•	•	•	•	•
Visible VIN Plate	•	•	•	•	•
Day Running Lights	•	•	•	•	•
Headlamp Levelling System	•	•	•	•	•
High Level LED Brake Light	•	•	•	•	•
Side Marker Illumination	•	•	•	•	•
Home Safe and Approach Lighting	•	•	•	•	•
IDIS (Intelligent Driver Information System)	•	•	•	•	•

<b>STANDARD EQUIPMENT - EXTERIOR</b>	<b>S</b>	<b>SE</b>	<b>SE LUX</b>	<b>R-DESIGN</b>	<b>R-DESIGN SE</b>
16" Libra Alloy Wheels (Diamond Cut) – 205/55 R16 V Energy Saving Tyres (1.6D DRIVE only)	•				
16" Cordelia Alloy Wheels (Silver Stone) – 205/55 R16 W Tyres	•				
17" Zaurak Alloy Wheels (Silver Bright) – 205/50 R17 W Tyres		•			
17" Spartacus Alloy Wheels (Silver Bright) – 205/50 R17 W Tyres			•		
17" Serapis Alloy Wheels (Silver Bright) – 205/50 R17 W Tyres				•	
18" Midir Alloy Wheels (Diamond Cut) – 215/45 R18 W Tyres					•
Locking Wheel Nuts	•	•	•	•	•
Tyre Sealant Kit	•	•	•	•	•
Headlamp Cleaning System			•		
Autofolding Power Door Mirrors with Ground Lights			•		
Front Fog Lights		•	•	•	•
R-DESIGN Silver Matt Door Mirrors				•	•
Power Adjustable and Heated Door Mirrors	•	•	•	•	•
Speed Dependent Interval Wiper Function	•	•	•	•	•
R-DESIGN Silver Matt Grille with Logo				•	•
Rain Sensor – Automatic Windscreen Wiper Activation		•	•		•
Roof Rails	•	•		•	
Silver Roof Rails			•		•
Comfort Chassis (R-DESIGN/R-DESIGN SE Models – 1.8/1.8F/2.0 only)	•	•	•	•	•
Dynamic Chassis (R-DESIGN/R-DESIGN SE – T5/2.0D/D5 only)			•		•
DRIVE Lowered Chassis (1.6D DRIVE only)	•	•	•	•	•
Rally Bar (Front Strut Stiffener)					•
R-DESIGN Full Bodykit (Front and Rear Spoilers and Side Skirts)				•	•
Body Coloured Lower Mouldings		•	•	•	•
Full Body Coloured Side Mouldings	•	•	•	•	•



**STANDARD EQUIPMENT - INTERIOR**

	S	SE	SE LUX	<i>R</i> DESIGN	<i>R</i> DESIGN SE
ECC (Electronic Climate Control) with AQS (Air Quality System) and Pollen Filter	•	•	•	•	•
Information Centre					
Exterior Temperature Gauge	•	•	•	•	•
Cruise Control		•	•	•	•
Front and Rear Power Windows	•	•	•	•	•
Illuminated Driver and Passenger Vanity Mirrors	•	•	•	•	•
Front and Rear Reading Lights	•	•	•	•	•
Autodimming Rear View Mirror with Humidity Sensor and Compass		•	•		•
Front Centre Armrest	•	•	•	•	•
Rear Centre Armrest with Twin Cupholders and Storage	•	•	•	•	•
Front Storage Box with Removable Cupholders	•	•	•	•	•
Grocery Bag Holder (not D5)		•	•		•
Rear Waste Bag/Bottle Holder		•	•		•
Front and Rear 12V Socket	•	•	•	•	•
Power Driver's Seat with Seat Memory			•		
Heated Front Seats			•		
Height Adjustable Passenger Seat with Lumbar Support	•	•	•	•	•
Forward Folding Front Passenger Seat	•	•	•	•	•
Asymmetric Split-folding Rear Seat (60%/40%)	•	•	•	•	•
Leather Steering Wheel, Gear Knob and Handbrake Lever	•	•	•		
<i>R</i> DESIGN Leather Sports Steering Wheel with Aluminium Inserts and Logo				•	•
<i>R</i> DESIGN Sports Gear Knob with Aluminium Inserts and Leather Handbrake Lever				•	•
Steering Wheel Remote Audio Controls		•	•	•	•
<i>R</i> DESIGN Blue Instrument Dials				•	•
Height and Reach Adjustable Steering Column	•	•	•	•	•
Bauxite Trim	•				
Aluminium Trim		•	•		
<i>R</i> DESIGN Deco Aluminium Trim				•	•
Boda Textile Upholstery	•				
Dalarö T-Tec Upholstery		•			
Leather-faced Upholstery			•		
<i>R</i> DESIGN Leather/T-Tec Upholstery with Logo				•	•
Luxury Floor Mats			•		
<i>R</i> DESIGN Sports Floor Mats with Contrasting Piping				•	•
<i>R</i> DESIGN Aluminium Sports Pedals				•	•
Performance Sound Audio System – 1 x CD/Radio, 4 x 20W Amplifier and 6 Speakers	•	•	•	•	•
Aux Input for MP3 Player	•	•	•	•	•



<b>OPTIONAL EQUIPMENT - SAFETY &amp; SECURITY</b>	<b>Basic £</b>	<b>VAT £</b>	<b>Rec Retail Price £</b>	<b>S</b>	<b>SE</b>	<b>SE LUX</b>	<b>R-DESIGN</b>	<b>R-DESIGN SE</b>
BLIS (Blind Spot Information System) with Autofolding Power Door Mirrors and Ground Lights	£565.22	£84.78	£650.00	o	o	u (£450)	o	o
Passenger Airbag Cut Off Switch	£21.74	£3.26	£25.00	o	o	o	o	o
Laminated Water Repellent Side Windows	£347.83	£52.17	£400.00	o	u (£300)	u (£300)	o	u (£300)
Homelink	£43.48	£6.52	£50.00	o	o	o	o	o

<b>OPTIONAL EQUIPMENT - INTERIOR</b>	<b>Basic £</b>	<b>VAT £</b>	<b>Rec Retail Price £</b>	<b>S</b>	<b>SE</b>	<b>SE LUX</b>	<b>R-DESIGN</b>	<b>R-DESIGN SE</b>
Powershift (6 Speed Automatic Transmission) (2.0D only)	£1,217.39	£182.61	£1,400.00	o	o	o	o	o
Geartronic Transmission (T5 and D5 only) (Not 2.0D)	£1,130.43	£169.57	£1,300.00	n/a	o	o	o	o
Information Centre	£173.91	£26.09	£200.00	o	●	●	o	●
Cruise Control	£217.39	£32.61	£250.00	o	●	●	●	●
Keyless Drive	£304.35	£45.65	£350.00	o	o	o	o	o
Power Glass Tilt and Slide Sunroof	£608.70	£91.30	£700.00	o	o	o	o	o
Autodimming Rear View Mirror with Humidity Sensor and Compass	£217.39	£32.61	£250.00	n/a	●	●	o	●
Grocery Bag Holder <sup>(ix)</sup>	£65.22	£9.78	£75.00	o	●	●	o	●
Front and Rear Ashtray with Cigarette Lighter	-	-	-	nco	nco	nco	nco	nco
Power Driver's Seat with Seat Memory	£478.26	£71.74	£550.00	o	o	●	o	o
Aluminium Trim	£217.39	£32.61	£250.00	o	●	●	n/a	n/a
Nordic Light Oak Trim	£217.39	£32.61	£250.00	n/a	o	o	n/a	n/a
Leather-faced Upholstery <sup>(i)</sup>	£1,043.48	£156.52	£1,200.00	o	u (£600)	●	u (£500)	u (£500)
6 x CD Player <sup>(ii)(iii)</sup>	£65.22	£9.78	£75.00	o	o	o	o	o
High Performance Sound Audio System, 1 x CD/Radio, 4 x 40W Amplifier, USB and Aux Input and 8 Speakers (MP3/WMA Compatible)	£347.83	£52.17	£400.00	o	o	o	o	o
Dynaudio Premium Sound Audio System – with Dolby Pro Logic II Surround Sound <sup>(iv)</sup> , 5 x 130W Amplifier, USB and Aux Input, 1 x CD and 12 Speakers (MP3/WMA Compatible)	£1,000.00	£150.00	£1,150.00	o	o	o	o	o
Steering Wheel Remote Audio Controls	£65.22	£9.78	£75.00	o	●	●	●	●
Satellite Navigation System (RTI) with RDS-TMC Map Data on Hard Disk <sup>(ii)</sup>	£1,391.30	£208.70	£1,600.00	o	o	o	o	o
Bluetooth® Handsfree System <sup>(v)(vi)</sup>	£217.39	£32.61	£250.00	o	o	o	o	o
Dual Band Integrated GSM Telephone <sup>(iii)</sup> and Volvo On Call <sup>(vii)</sup>	£434.78	£65.22	£500.00	o	o	o	o	o

● = standard, o = option, n/a = not available, nco = no cost option, u (£) = upgrade ® = Registered Trademark.

(i) Leather-faced Upholstery upgrade on R-DESIGN and R-DESIGN SE is only available with 5D77 Off Black.

(ii) Must be ordered in conjunction with High Performance or Dynaudio Premium Sound Audio Systems.

(iii) If a 6 x CD Player is ordered, standard USB port is removed from the audio system.

(iv) Dolby and Pro Logic Surround Sound™ are trademarks of Dolby Laboratories Licensing Corporation.





<b>OPTIONAL EQUIPMENT - EXTERIOR</b>	<b>Basic £</b>	<b>VAT £</b>	<b>Rec Retail Price £</b>	<b>S</b>	<b>SE</b>	<b>SE LUX</b>	<b>REDESIGN</b>	<b>REDESIGN SE</b>
Black Paint (Solid)	£217.39	£32.61	£250.00	o	o	o	n/a	n/a
Metallic/Pearlescent Paint	£456.52	£68.48	£525.00	o	o	o	o	o
Inscription™ Paint	£652.17	£97.83	£750.00	o	o	o	o	o
16" Libra Alloy Wheels (Diamond Cut) – 205/55 R16 V Energy Saving Tyres (1.6D DRIVE only)	–	–	–	•	nco	nco	n/a	n/a
16" Cordelia Alloy Wheels (Silver Stone) – 205/55 R16 W Tyres <sup>(viii)</sup>	–	–	–	nco	nco	nco	n/a	n/a
17" Zaurak Alloy Wheels (Silver Bright) – 205/50 R17 W Tyres	£434.78	£65.22	£500.00	o	•	nco	n/a	n/a
17" Spartacus Alloy Wheels (Silver Bright) – 205/50 R17 W Tyres	£434.78	£65.22	£500.00	o	nco	•	n/a	n/a
18" Atreus Alloy Wheels (Diamond Cut/Dark Grey) – 215/45 R18 W Tyres (Not 1.6 or 1.6D)	£652.17	£97.83	£750.00	n/a	n/a	n/a	o	nco
18" Midir Alloy Wheels (Diamond Cut/Light Grey) – 215/45 R18 W Tyres (Not 1.6 or 1.6D)	£652.17	£97.83	£750.00	n/a	n/a	n/a	o	•
Tempa Spare Wheel and Jack Kit	–	–	–	nco	nco	nco	nco	nco
Autofolding Power Door Mirrors with Ground Lights	£173.91	£26.09	£200.00	o	o	•	o	o
Front Fog Lights	£173.91	£26.09	£200.00	o	•	•	•	•
Delete Roof Rails	–	–	–	nco	nco	nco	nco	nco
Rear Park Assist	£304.35	£45.65	£350.00	o	o	o	o	o

	<b>Basic £</b>	<b>VAT £</b>	<b>Rec Retail Price £</b>	<b>S</b>	<b>SE</b>	<b>SE LUX</b>	<b>REDESIGN</b>	<b>REDESIGN SE</b>
<b>WINTER PACK</b>								
Heated Front Seats, Headlamp Cleaning System and Luxury Floor Mats	£369.57	£55.43	£425.00	o	o	•	u (£350)	u (£350)
Winter Pack with Active Bending Headlamps	£869.57	£130.43	£1,000.00	o	o	u (£575)	u (£925)	u (£925)
<b>FAMILY PACK</b>								
Integrated Booster Cushions x 2, Power Child Locks and Passenger Airbag Cut Off Switch	£226.09	£33.91	£260.00	o	o	o	o	o
<b>COMMUNICATIONS PACK</b>								
Satellite Navigation System (RTI) with RDS-TMC Map Data on Hard Disk <sup>(ii)</sup> , Keyless Drive and Bluetooth® Handsfree System <sup>(vi)</sup>	£1,608.70	£241.30	£1,850.00	o	o	o	o	o

(v) Aux Input is removed when Bluetooth® Handsfree System is ordered in conjunction with Performance Sound Audio System.

(vi) Cannot be ordered in conjunction with Dual Band Integrated GSM Telephone and Volvo On Call.

(vii) Volvo On Call includes Safety package (Security package available at additional cost).

(viii) If ordered with 1.6D DRIVE model, energy saving tyres will be fitted.

(ix) Grocery Bag Holder is not available on D5.



# What's your style?

At Volvo we know everyone is different. And that's why you can choose from a whole spectrum of colours for the exterior of your Volvo V50. Whatever your style, you'll find the perfect shade for you.



019 Black Stone<sup>(1)</sup>



426 Silver metallic



452 Black Sapphire metallic



455 Titanium Grey pearl



466 Barents Blue pearl



476 Brilliant Blue pearl



477 Inscription™ Electric Silver Coarse Flake metallic



478 Maple Red pearl<sup>(1)</sup>



479 Orinoco Blue metallic



488 Gecko Green pearl



490 Chameleon Blue pearl<sup>(1)</sup>



492 Savile Grey pearl<sup>(1)</sup>



612 Passion Red



614 Ice White

NB It is not possible to reproduce exact original shades in printed matter. Please ask your dealer to show you samples.  
(1) Not available with R-DESIGN and R-DESIGN SE.

## The wheels

And now we come to one of the most important parts of choosing your new Volvo V50. Volvo alloy wheels come in a variety of different styles, cuts and finishes – each with its own distinct character.

Your selection of alloy wheel can dramatically influence the exterior styling of your Volvo V50. What will you choose?





16" Cordelia  
(Silver Stone)



16" Libra  
(Diamond Cut)



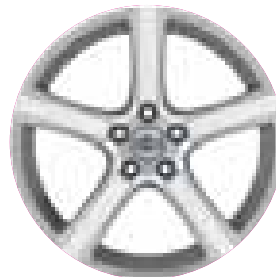
17" Zaurak  
(Silver Bright)



17" Spartacus  
(Silver Bright)



17" Serapis  
(Silver Bright)



18" Midir  
(Diamond Cut/Light Grey)



18" Atreus  
(Diamond Cut/Dark Grey)

# Interior inlays

A selection of premium materials to complement your interior fabric.



Bauxite



Aluminium



Nordic Light Oak



NB It is not possible to reproduce exact original shades in printed matter.





# R-DESIGN

Like to drive a car that turns heads? Then choose a Volvo V50 R-DESIGN. With a range of striking style flourishes both inside and out, this is a car that can't fail to be noticed.

## R-DESIGN



Steering Wheel and Blue Dials



Front Grille with Logo



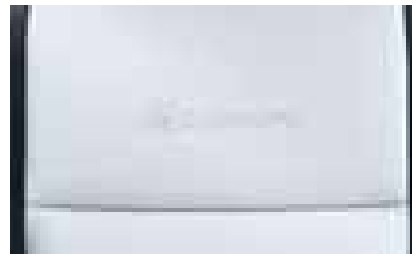
Silver Matt Door Mirrors



Pedals



Floor Mats



Off Black/Cream (5F7K)



R-DESIGN Deco Aluminium



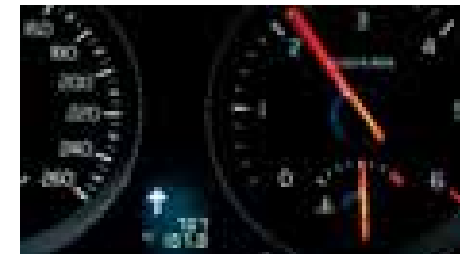


**DRIVE**

DRIVE means making a change for the better without compromise. The exterior styling is unmistakably Volvo, with strong curves and sleek lines – yet DRIVE enhancements like the lowered chassis, Libra alloy wheels and gearshift indicator add distinctive finishing touches. And these changes aren't just for show – with Start/Stop technology they contribute to CO<sub>2</sub> emissions of just 104 g/km and fuel economy of up to 72.4 mpg\*.

**Better fuel consumption and emissions with all the style, luxury and technology you've come to expect – who said it wasn't easy to do the right thing?**

\* Based on a combined cycle



16" Libra  
(Diamond Cut)

# In fine detail

The nuts and bolts of your Volvo V50. Whatever you need to know about your new car – whether that's fuel consumption, CO<sub>2</sub> emissions, top speed or boot space – you'll find it here.



ENGINE	1.6 Man	1.8 Man	2.0 Man	T5	1.6D DRIVE Man	2.0D	D5	1.8F Flexifuel Man
Configuration	Transverse – 16 valve	Transverse – 16 valve	Transverse – 16 valve	Transverse – 20 valve	Transverse – 16 valve	Transverse – 16 valve	Transverse – 20 valve	Transverse – 16 valve
Cylinders	4	4	4	5	4	4	5	4
Engine capacity, cc	1596	1798	1999	2521	1560	1997	2400	1798
Bore x stroke, mm	79 x 81.4	83 x 83.1	87.5 x 83.1	83 x 93.2	75 x 88.3	85 x 88	81 x 93.1	83 x 83.1
Max. output ECE, PS/kw/rpm	100/74/6000	125/92/6000	145/107/6000	230/169/5000	109/80/4000	136/100/4000	180/132/4000	125/92/6000
Max. torque ECE, Nm/rpm	150/4000	165/4000	185/4500	320/1500 – 5000	240/1750	320/2000	350/1750 – 3250	165/4000
Octane rating	95 RON Unleaded	95 RON Unleaded	95 RON Unleaded	98 RON <sup>®</sup> Unleaded	N/A Diesel	N/A Diesel	N/A Diesel	95 RON Unleaded/ Bio-ethanol (E85)
Fuel system	Multipoint fuel injection	Multipoint fuel injection	Multipoint fuel injection	Multipoint fuel injection	Common rail direct injection	Common rail direct injection	Common rail direct injection	Multipoint fuel injection
Compression ratio	11.0:1	10.8:1	10.8:1	9.0:1	18.3:1	18.5:1	17.3:1	10.8:1

PERFORMANCE	1.6 Man	1.8 Man	2.0 Man	T5 Man	T5 Gt	1.6D DRIVE Man	2.0D Man	2.0D P/shift	D5 Man	D5 Gt	1.8F Flexifuel Man
Top speed, mph	115	124	130	149	146	118	127	127	140	137	124
Acceleration 0-60mph, sec	11.4	10.4	9.0	6.4	6.8	10.9	9.0	9.2	7.6	7.9	10.4
0-62mph (0-100kmh), sec	12.0	11.0	9.6	6.9	7.3	11.5	9.6	9.7	8.0	8.5	11.0
Drag co-efficient	0.31	0.31	0.31	0.31	0.31	0.29	0.31	0.31	0.31	0.31	0.31

FUEL CONSUMPTION <sup>(iii)</sup>	1.6 Man	1.8 Man	2.0 Man	T5 Man	T5 Gt	1.6D DRIVE S/S Man	1.6D DRIVE Man	2.0D Man	2.0D P/shift	D5 Man	D5 Gt	1.8F Flexifuel Man <sup>(iv)</sup>
Urban mpg (l/100km)	30.7 (9.2)	28.0 (10.1)	27.7 (10.2)	22.4 (12.6)	20.9 (13.5)	57.7 (4.9)	49.6 (5.7)	37.2 (7.6)	36.2 (7.8)	34.0 (8.3)	29.1 (9.7)	27.4 (10.3)
Extra Urban mpg (l/100km)	48.7 (5.8)	49.6 (5.7)	49.6 (5.7)	44.1 (6.4)	43.5 (6.5)	83.1 (3.4)	74.3 (3.8)	58.9 (4.8)	56.5 (5.0)	55.4 (5.1)	52.3 (5.4)	48.7 (5.8)
Combined mpg (l/100km)	39.8 (7.1)	38.7 (7.3)	38.2 (7.4)	32.5 (8.7)	31.4 (9.0)	72.4 (3.9)	62.8 (4.5)	48.7 (5.8)	47.1 (6.0)	44.8 (6.3)	40.4 (7.0)	38.2 (7.4)
CO <sub>2</sub> g/km	169	174	176	203	211	104	119	153	159	166	184	177
VED (Vehicle Excise Duty) Band	H	H	I	K	K	B	C	G	G	H	I	I
Fuel tank volume, litres	55	55	55	62	62	52	52	52	52	60	60	55
Emission Level	Euro IV	Euro IV	Euro IV	Euro V	Euro V	Euro IV	Euro IV	Euro IV	Euro IV	Euro IV	Euro IV	Euro IV

N.B All diesel models are fitted with a Diesel Particulate Filter, except 2.0D Manual

INSURANCE GROUPS	1.6 Man	1.8 Man	2.0 Man	T5	1.6D DRIVE Man	2.0D	D5	1.8F Flexifuel Man
S	7E	10E	-	-	9E	10E	-	-
SE	-	10E	12E	-	10E	10E	15E	10E
SE Lux	-	-	12E	-	10E	10E	15E	-
R-DESIGN	-	10E	12E	15E	8E	10E	15E	-
R-DESIGN SE	-	-	12E	15E	-	10E	15E	-

E = Exceeds security requirements for model concerned and group rating has been reduced.

WEIGHTS	1.6 Man	1.8 Man	2.0 Man	T5 Man	T5 Gt	1.6D DRIVE S/S Man	1.6D DRIVE Man	2.0D Man	2.0D P/shift	D5 Man	D5 Gt	1.8F Flexifuel Man
Min. kerb weight, kg (actual kerb weight dependent on spec.)	1344	1387	1402	1511	1529	1430	1435	1479	1513	1542	1555	1406
Max. possible towing weight braked, kg	1200	1300	1350	1500	1500	800	1300	1500	1500	1500	1500	1300
Max. towing weight unbraked approx, kg <sup>(v)</sup>	650	650	700	700	700	700	700	700	700	750	750	650
Max. towball weight, kg	75	75	75	75	75	75	75	75	75	75	75	75
Max. total weight, kg	1850	1890	1890	2000	2000	1900	1900	1960	2000	2020	2020	1890
Max. roof load, kg	75	75	75	75	75	75	75	75	75	75	75	75
Max. payload, kg (dependent on spec.)	506	503	500	483	471	470	466	481	487	478	465	484

LUGGAGE COMPARTMENT	
Volume, litres	417
Volume, rear seats down, litres	717
Volume, rear seats down, to roof, litres	1307

BRAKES	1.6/1.8/2.0/1.6D DRIVE/1.8F	2.0D	T5/D5
Disc diameter mm, front	15" 278 Ventilated	16" 300 Ventilated	16.5" 320 Ventilated
Disc diameter mm, rear	280	280	280

TRANSMISSION	
Manual 2.0D/T5/D5	6 speed
Manual 1.6/1.8/2.0/1.6D DRIVE/1.8F	5 speed
Powershift (Automatic Gearbox) (2.0D)	6 speed
Geartronic T5/D5	5 speed

POWER STEERING SYSTEM	All models
(rack & pinion)	
Turning circle, m (ft)	10.6 (34.9)

- (i) For best performance and lowest fuel consumption 98 RON is recommended, 95 RON can be used for normal driving.
- (ii) The results do not express or imply any guarantee of the fuel consumption of a particular car.
- (iii) Official fuel consumption figures are obtained in accordance with Directive 93/116/EC as amended by 1999/100/EC. The figures are obtained under controlled test conditions and as such consumption achieved on the road will not necessarily accord with the official test results. Factors including driving styles and road, car and weather conditions will also have a bearing on actual fuel consumption achieved.
- (iv) CO<sub>2</sub> and fuel consumption is based on petrol operation.
- (v) Unbraked towing weight must not exceed 50% of kerb weight up to a maximum of 700 kg.

#### Notes

The weight of a vehicle will influence the level of CO<sub>2</sub> emitted and as a result, vehicles with higher levels of specification and factory fit options may emit higher levels of CO<sub>2</sub>. However, Vehicle Excise Duty is charged according to the weight and CO<sub>2</sub> emissions of the standard vehicle, as published in this price list. The weight effect of any additional items does not affect the amount of Vehicle Excise Duty payable.

A weighbridge must be used to determine specific weights. Data valid for manual transmission unless specified.

All measurements in mm.

Gt = Geartronic Automatic Transmission.

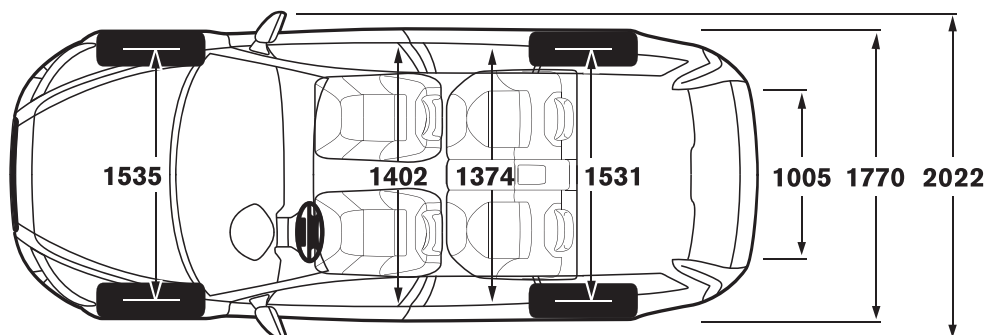
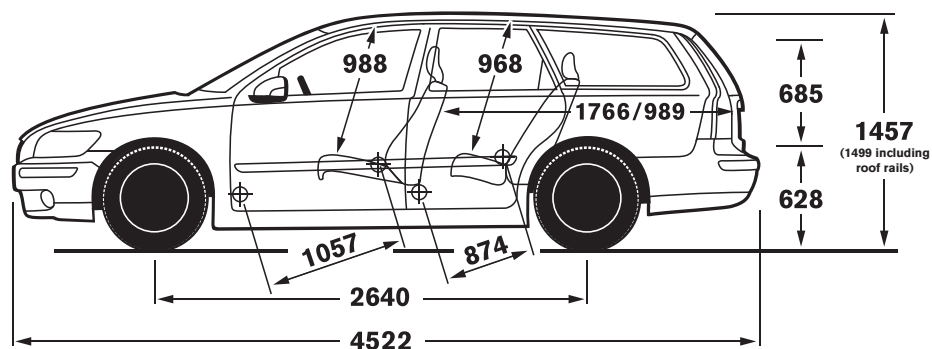
P/shift = Powershift Automatic.

S/S = Start/Stop technology.

The max. output figures are quoted in PS (Pferdestärke), which is the metric equivalent of brake horsepower.

NB Some of the information in this price list may not be correct due to product changes which may have occurred since it was printed. Some of the equipment described or shown may now be available only at extra cost. Before ordering, please ask your Volvo dealer for the latest information. The manufacturer reserves the right to make changes at any time, without notice, to prices, colour, materials, specifications and models.

Volvo Car UK Limited, Globe Park, Marlow, Buckinghamshire, SL7 1YQ.



# Accessories from Volvo

Of course, your Volvo V50 won't be perfect until it's exactly how you want it. And that's why we offer a range of accessories so you can completely personalise your new car. **The prices quoted below exclude fitting costs and are correct at time of going to press** – please confirm the total cost with your local Volvo dealer.

ACCESSORIES	Basic £	VAT £	Rec Retail Price £
<b>EXTERIOR</b>			
Aluminium Bike Rack (down tube clamp)	£53.13	£7.97	£61.10
Bike Rack (servo lift)	£113.17	£16.98	£130.15
Load Carrier – wing profile	£83.29	£12.49	£95.78
Load Carrier – square profile	£70.85	£10.63	£81.48
Mud Flaps Front, Mud Flaps Rear (price per pair)	£28.63	£4.29	£32.92
Roofbox – Sport Time 200 (440 litre volume) <sup>(i)</sup>	£153.56	£23.03	£176.59
Towbar – Detachable type with 13 Pin Electrics <sup>(ii)</sup>	£333.43	£50.01	£383.44
Rear Park Assist and Front Park Assist – price for each from	£131.87	£19.78	£151.65
Rear Spoiler	£116.56	£17.48	£134.04
Bumper Protector (Dirt Cover)	£37.15	£5.57	£42.72
<b>INTERIOR</b>			
Garmin Portable Sat Nav	£310.64	£46.60	£357.24
Boot Mat – moulded plastic or textile/rubber reversible	£74.18	£11.13	£85.31
Cooler/Hot Box (excludes power cable)	£70.85	£10.63	£81.48
Bluetooth® Hands Free System ...from	£173.67	£26.05	£199.72
iPod Interface <sup>(iv)</sup>	£238.30	£35.75	£274.05
USB Interface <sup>(iv)</sup>	£238.30	£35.75	£274.05
Combined USB/iPod Interface <sup>(iv)</sup>	£238.30	£35.75	£274.05
Load Liner – form moulded plastic	£75.27	£11.29	£86.56
Rubber Floor Mats (set of four)	£42.09	£6.31	£48.40
Steel Safety Grille (behind second row of seats)	£121.53	£18.23	£139.76
Sunblind – rear door windows (pair)	£26.31	£3.95	£30.26
Sunblind – rear compartment (3 pieces)	£26.31	£3.95	£30.26
Table (rear centre armrest)	£17.71	£2.66	£20.37
<b>CHILD</b>			
Child Seat ISOFIX <sup>(iii)</sup>	£127.40	£19.11	£146.51
Infant Seat ISOFIX <sup>(iii)</sup>	£163.47	£24.52	£187.99
ISOFIX Base	£94.63	£14.19	£108.82
Child Booster Cushion	£30.69	£4.60	£35.29
Child Booster Backrest (to go with above)	£30.69	£4.60	£35.29

(i) Other roofboxes available – please ask your dealer for details.

(ii) Detachable 7 pin and Fixed 13 and 7 pin also available – please ask your dealer for details.

(iii) VAT on Child Seats is 5%.

(iv) USB and iPod Interface standard on Premium and High Performance Sound.

For further information and a complete list of all Volvo Accessories, take a look at the Accessory website at [www.volvocars.co.uk/accessories](http://www.volvocars.co.uk/accessories) or visit your local Volvo dealer.

## Try a V50 for yourself with Volvo Rental

Why not hire a Volvo V50 – or any other Volvo – from Volvo Rental? You'll be guaranteed to drive a Volvo prepared to the highest standards by your local Volvo dealer. Call 0800 400 430 for more information today.





# The end is just the beginning

## **VOLVO TOTAL CARE**

We want your experience of buying and owning a Volvo to be one of life's pleasures, that's why we're here to make it as care-free and easy as possible. It's simple – Volvo Total Care is a single port of call for all your motoring requirements, from funding your purchase to protecting your investment with Volvo Car Insurance to monthly payment plans for servicing. We will even provide you with special offers during your ownership. Volvo Total Care is designed to make owning a Volvo rewarding. For further information on Volvo Total Care please contact your dealer or go to [www.volvocars.co.uk/totalcare](http://www.volvocars.co.uk/totalcare)

## **FINANCE**

As part of Volvo, Volvo Car Finance has developed a series of funding plans that will provide you with maximum choice and flexibility when acquiring a Volvo®. For details of the current promotions available, please visit [www.volvocars.co.uk/financepromotions](http://www.volvocars.co.uk/financepromotions)

## **INSURANCE**

Volvo Car Insurance is designed for Volvo drivers and because we know Volvos inside out, we can offer exactly the right tools and expertise, fitting only genuine Volvo parts by trained Volvo technicians<sup>(i)</sup>. Your Volvo will come with seven days drive away insurance, so you've already got peace of mind. Because Volvo drivers have an excellent reputation, we can also offer extensive cover at a reasonable price<sup>(ii)</sup>.

Call now for your insurance quote on **0800 238 239**, quoting reference BROCH.

**WHAT NEXT?** If you'd like to find out more about the range of products and services that make up Care by Volvo, the story continues at [www.volvocars.co.uk](http://www.volvocars.co.uk). Alternatively you can contact your nearest Volvo dealer or request relevant brochures.

(i) Finance subject to status. Guarantees/indemnities may be required. Volvo Car Finance SL7 1YQ.

(ii) When using a Volvo approved Body and Paint repairer.

(iii) Volvo Car Insurance is underwritten by Royal & Sun Alliance Insurance plc (No. 93792). Registered in England and Wales at St Mark's Court, Chart Way, Horsham, West Sussex RH12 1XL. Authorised and regulated by the Financial Services Authority. For your protection telephone calls will be recorded and may be monitored. All benefits are subject to qualifying status, terms and conditions, cover level and underwriting criteria. Service and repair benefits are subject to being carried out by a recommended repairer.

## **SERVICING YOUR VOLVO**

Your Volvo dealer has the unique know-how to tailor a service programme according to Volvo's strict recommendations and guarantees you years of safety and driving pleasure. In addition, why not save yourself money on service costs by taking out a Volvo Service Plan? They're designed to spread servicing costs on an interest-free monthly basis, providing you with economic, convenient servicing and peace of mind.

Whatever option you choose your costs are fixed no matter what happens to labour, parts or oil prices. You will also have the satisfaction of being able to have your Volvo serviced at any one of our UK Volvo dealers and Service Centres. For further information and to purchase online please go to [www.volvocars.co.uk/serviceplan](http://www.volvocars.co.uk/serviceplan)

## **VOLVO ON CALL**

Subscribe to Volvo On Call and you'll never be completely on your own. It's a GPS-based communication system providing 24-hour access to both emergency and roadside assistance wherever you are. See the Volvo On Call brochure for more information.

## **LOOKING AHEAD**

**You'll probably never find out just how good some of these services are. But should the unexpected happen, we'd like to think that you'd be even happier you chose a Volvo.**

## **ROADSIDE ASSISTANCE**

Every new car comes with one year's Volvo Assistance cover. You'll enjoy free breakdown and recovery assistance, anywhere in Europe, 24 hours a day. You can even extend cover for £85 for one year or £155 for two years. Call Volvo Assistance on **08701 650 978**.

## **WARRANTY**

Every new Volvo comes with comprehensive protection. Our warranty covers the first three years or 60,000 miles, whichever comes first. There's a three year unlimited mileage warranty on the paintwork, and either eight or twelve years against rust perforation. If a component fails due to a defect or material fault, your dealer will swiftly rectify the problem, free of charge.

# Volvo. for life

For tax free sales, including Military, Diplomat and all other Export enquiries, contact Volvo Car UK Tourist & Diplomat Sales or Volvo Car UK British Military Sales on **01707 262 388** or e-mail to [ics@volvocarslondon.co.uk](mailto:ics@volvocarslondon.co.uk) or [bms@volvocarslondon.co.uk](mailto:bms@volvocarslondon.co.uk)

All 'On The Road' prices quoted in this price list include Volvo standard national delivery charge, inclusive of number plates and VAT at £520 and the VED (Vehicle Excise Duty) car tax as of 1st May 2009. This charge does not include any provision for fuel. The 'On The Road' price also includes a £55 vehicle first registration fee (as set by the government – excludes Channel Islands and Isle of Man). Recommended retail prices quoted do not include these additions.

**NB** Some of the information in this price list may not be correct due to product changes which may have occurred since it was printed. Before ordering, please ask your Volvo dealer for the latest information. The manufacturer reserves the right to make changes at any time, without notice, to prices, colour, materials, specifications and models.