

# VOLVO V50



# The V50 range at a glance.

## V50 S

The comprehensive specification includes ECC (Electronic Climate Control), 16" alloy wheels, DSTC (Dynamic Stability and Traction Control), power windows, leather steering wheel, a 6-speaker radio/CD system, auxiliary input for MP3 player and roof rails.

## V50 SE

The SE model brings added luxury to the Volvo V50 Sportswagon. 17" Zaurak alloy wheels, rain sensor, information centre, cruise control and an aluminium inlay are just some of the standard SE features.

## V50 SE LUX

The most luxurious version offers leather-faced upholstery, heated front seats and floor mats, whilst 17" Spartacus alloy wheels, autofolding power door mirrors with ground lights and a headlamp cleaning system identify this model from the outside.

## V50 **R**DESIGN

The striking exterior lines are enhanced with 17" Serapis alloy wheels with full bodykit and logo on the grille. The unique interior design is complemented with embossed Leather/T-Tec upholstery, sports steering wheel and unique aluminium inlay.

## V50 **R**DESIGN SE

This model combines the luxury features of the SE with the unique R-DESIGN interior details and the dramatic exterior sporty bodykit and 18" Midir alloy wheels.

## V50 **DRIVE**

DRIVE is a series of modifications, adjustments and enhancements designed to make it easy to reduce both your impact on the environment and your running costs. All V50 1.6D DRIVE models produce less than 120 g/km CO<sub>2</sub>, which means 12 months' vehicle excise duty of just £35. The S, SE and SE Lux models can benefit further from Start/Stop technology to produce only 104 g/km CO<sub>2</sub> and fuel consumption up to 72.4 mpg\*. See DRIVE page for more information.



# On the road.

How much will it cost to get behind the wheel of your own Volvo V50? Simply decide which model variant and engine type are right for you and then take a look at the full price list below.

## V50 S

	Basic £	VAT £	Rec Retail Price £	On the Road Price £
<b>PETROL</b>				
1.6 S	£14,536.17	£2,543.83	£17,080.00	£17,845.00
<b>DIESEL</b>				
1.6D DRIVe S	£16,655.32	£2,914.68	£19,570.00	£20,195.00
1.6D DRIVe S with Start/Stop	£16,953.19	£2,966.81	£19,920.00	£20,545.00
2.0D S	£16,953.19	£2,966.81	£19,920.00	£20,660.00

## V50 SE

	Basic £	VAT £	Rec Retail Price £	On the Road Price £
<b>PETROL</b>				
2.0 SE	£16,791.49	£2,938.51	£19,730.00	£20,495.00
2.0 SE Premium <sup>(i)</sup>	£18,068.09	£3,161.91	£21,230.00	£21,995.00
<b>DIESEL</b>				
1.6D DRIVe SE	£17,974.47	£3,145.53	£21,120.00	£21,745.00
1.6D DRIVe SE with Start/Stop	£18,272.34	£3,197.66	£21,470.00	£22,095.00
2.0D SE	£18,272.34	£3,197.66	£21,470.00	£22,210.00
2.0D SE Premium <sup>(i)</sup>	£19,548.94	£3,421.06	£22,970.00	£23,710.00

<sup>(i)</sup> All Premium models include Leather-faced Upholstery and Satellite Navigation System (RTI).

<sup>(ii)</sup> All Premium models include Satellite Navigation System (RTI).





## V50 SE LUX

	Basic £	VAT £	Rec Retail Price £	On the Road Price £
<b>PETROL</b>				
2.0 SE Lux	£18,025.53	£3,154.47	£21,180.00	£21,945.00
2.0 SE Lux Premium <sup>(i)</sup>	£18,876.60	£3,303.40	£22,180.00	£22,945.00
<b>DIESEL</b>				
1.6D DRIVe SE Lux	£19,208.51	£3,361.49	£22,570.00	£23,195.00
1.6D DRIVe SE Lux with Start/Stop	£19,506.38	£3,413.62	£22,920.00	£23,545.00
2.0D SE Lux	£19,506.38	£3,413.62	£22,920.00	£23,660.00
2.0D SE Lux Premium <sup>(i)</sup>	£20,357.45	£3,562.55	£23,920.00	£24,660.00

## V50 R<sup>DESIGN</sup>

	Basic £	VAT £	Rec Retail Price £	On the Road Price £
<b>PETROL</b>				
2.0 R-DESIGN	£17,174.47	£3,005.53	£20,180.00	£20,945.00
2.0 R-DESIGN Premium <sup>(ii)</sup>	£18,025.53	£3,154.47	£21,180.00	£21,945.00
T5 R-DESIGN	£19,438.30	£3,401.70	£22,840.00	£23,645.00
T5 R-DESIGN Premium <sup>(ii)</sup>	£20,289.36	£3,550.64	£23,840.00	£24,645.00
<b>DIESEL</b>				
1.6D DRIVe R-DESIGN	£18,485.11	£3,234.89	£21,720.00	£22,345.00
2.0D R-DESIGN	£18,655.32	£3,264.68	£21,920.00	£22,660.00
2.0D R-DESIGN Premium <sup>(ii)</sup>	£19,506.38	£3,413.62	£22,920.00	£23,660.00

## V50 R<sup>DESIGN</sup> SE

	Basic £	VAT £	Rec Retail Price £	On the Road Price £
<b>PETROL</b>				
2.0 R-DESIGN SE	£18,365.96	£3,214.04	£21,580.00	£22,345.00
2.0 R-DESIGN SE Premium <sup>(ii)</sup>	£19,217.02	£3,362.98	£22,580.00	£23,345.00
T5 R-DESIGN SE	£20,629.79	£3,610.21	£24,240.00	£25,045.00
T5 R-DESIGN SE Premium <sup>(ii)</sup>	£21,480.85	£3,759.15	£25,240.00	£26,045.00
<b>DIESEL</b>				
2.0D R-DESIGN SE	£19,846.81	£3,473.19	£23,320.00	£24,060.00
2.0D R-DESIGN SE Premium <sup>(ii)</sup>	£20,697.87	£3,622.13	£24,320.00	£25,060.00



# The right equipment.

It's essential that your Volvo comes equipped with everything you need. Below you'll find the standard equipment lists for each model variant, plus optional equipment to personalise your Volvo V50. And as you'd expect, there is an array of industry-leading, cutting edge safety innovations.

<b>STANDARD EQUIPMENT - SAFETY &amp; SECURITY</b>	<b>S</b>	<b>SE</b>	<b>SE LUX</b>	<b>R-DESIGN</b>	<b>R-DESIGN SE</b>
Dual Stage Driver and Passenger Airbags	•	•	•	•	•
SIPS (Side Impact Protection System)	•	•	•	•	•
SIPS Airbags	•	•	•	•	•
IC (Inflatable Curtain)	•	•	•	•	•
WHIPS (Whiplash Protection System) (Front Seats)	•	•	•	•	•
ABS (Anti-lock Brake System) with EBD (Electronic Brake Distribution) and Electronic Brake Assistance	•	•	•	•	•
DSTC (Dynamic Stability and Traction Control)	•	•	•	•	•
5 Three Point Seat Belts	•	•	•	•	•
Seat Belt Pre-tensioners (Front and Outer Rear)	•	•	•	•	•
Head Restraints – All 5 Seats	•	•	•	•	•
ISOFIX Attachment (Rear Seats)	•	•	•	•	•
Anti-theft Alarm including Immobiliser and Level Sensor	•	•	•	•	•
Key Integrated Remote Control Central Locking including Fuel Flap with Deadlocking System	•	•	•	•	•
Auto Open/Close Power Windows/and Sunroof (if ordered)	•	•	•	•	•
Tinted Windows	•	•	•	•	•
Load Cover and Load Protection Net	•	•	•	•	•
Water Repellent Side Windows	•	•	•	•	•
Visible VIN Plate	•	•	•	•	•
Day Running Lights	•	•	•	•	•
Headlamp Levelling System	•	•	•	•	•
High Level LED Brake Light	•	•	•	•	•
Side Marker Illumination	•	•	•	•	•
Home Safe and Approach Lighting	•	•	•	•	•
IDIS (Intelligent Driver Information System)	•	•	•	•	•

<b>STANDARD EQUIPMENT - EXTERIOR</b>	<b>S</b>	<b>SE</b>	<b>SE LUX</b>	<b>R-DESIGN</b>	<b>R-DESIGN SE</b>
16" Libra Alloy Wheels (Diamond Cut) – 205/55 R16 V Energy Saving Tyres (1.6D DRIVE only)	•				
16" Cordelia Alloy Wheels (Silver Stone) – 205/55 R16 W Tyres	•				
17" Zaurak Alloy Wheels (Silver Bright) – 205/50 R17 W Tyres		•			
17" Spartacus Alloy Wheels (Silver Bright) – 205/50 R17 W Tyres			•		
17" Serapis Alloy Wheels (Silver Bright) – 205/50 R17 W Tyres				•	
18" Midir Alloy Wheels (Diamond Cut) – 215/45 R18 W Tyres					•
Locking Wheel Nuts	•	•	•	•	•
Tyre Sealant Kit	•	•	•	•	•
Headlamp Cleaning System			•		
Autofolding Power Door Mirrors with Ground Lights			•		
Front Fog Lights		•	•	•	•
<b>R-DESIGN</b> Silver Matt Door Mirrors				•	•
Power Adjustable and Heated Door Mirrors	•	•	•	•	•
Speed Dependent Interval Wiper Function	•	•	•	•	•
<b>R-DESIGN</b> Silver Matt Grille with Logo				•	•
Rain Sensor – Automatic Windscreen Wiper Activation		•	•		•
Roof Rails	•	•		•	
Silver Roof Rails			•		•
Comfort Chassis (R-DESIGN/R-DESIGN SE Models – 2.0 only)	•	•	•	•	•
Dynamic Chassis (R-DESIGN/R-DESIGN SE – T5/2.0D only)			•	•	•
DRIVE Lowered Chassis (1.6D DRIVE only)	•	•	•	•	•
Rally Bar (Front Strut Stiffener)				•	•
<b>R-DESIGN</b> Full Bodykit (Front and Rear Spoilers and Side Skirts)				•	•
Body Coloured Lower Mouldings		•	•	•	•
Full Body Coloured Side Mouldings	•	•	•	•	•

**STANDARD EQUIPMENT - INTERIOR**

	S	SE	SE LUX	RDESIGN	RDESIGN SE
ECC (Electronic Climate Control) with AQS (Air Quality System) and Pollen Filter	•	•	•	•	•
Information Centre		•	•		•
Exterior Temperature Gauge	•	•	•	•	•
Cruise Control		•	•	•	•
Front and Rear Power Windows	•	•	•	•	•
Illuminated Driver and Passenger Vanity Mirrors	•	•	•	•	•
Front and Rear Reading Lights	•	•	•	•	•
Autodimming Rear View Mirror with Humidity Sensor and Compass		•	•		•
Front Centre Armrest	•	•	•	•	•
Rear Centre Armrest with Twin Cupholders and Storage	•	•	•	•	•
Front Storage Box with Removable Cupholders	•	•	•	•	•
Grocery Bag Holder		•	•		•
Rear Waste Bag/Bottle Holder		•	•		•
Front and Rear 12V Socket	•	•	•	•	•
Power Driver's Seat with Seat Memory			•		
Heated Front Seats			•		
Height Adjustable Passenger Seat with Lumbar Support	•	•	•	•	•
Forward Folding Front Passenger Seat	•	•	•	•	•
Asymmetric Split-folding Rear Seat (60%/40%)	•	•	•	•	•
Leather Steering Wheel, Gear Knob and Handbrake Lever	•	•	•		
RDESIGN Leather Sports Steering Wheel with Aluminium Inserts and Logo				•	•
RDESIGN Sports Gear Knob with Aluminium Inserts and Leather Handbrake Lever				•	•
Steering Wheel Remote Audio Controls		•	•	•	•
RDESIGN Blue Instrument Dials				•	•
Height and Reach Adjustable Steering Column	•	•	•	•	•
Bauxite Trim	•				
Aluminium Trim		•	•		
RDESIGN Deco Aluminium Trim				•	•
Boda Textile Upholstery	•				
Dalarö T-Tec Upholstery		•			
Leather-faced Upholstery			•		
RDESIGN Leather/T-Tec Upholstery with Logo				•	•
Luxury Floor Mats			•		
RDESIGN Sports Floor Mats with Contrasting Piping				•	•
RDESIGN Aluminium Sports Pedals				•	•
Performance Sound Audio System – 1 x CD/Radio, 4 x 20W Amplifier and 6 Speakers	•	•	•	•	•
Aux Input for MP3 Player	•	•	•	•	•



OPTIONAL EQUIPMENT - SAFETY & SECURITY	Basic £	VAT £	Rec Retail Price £	S	SE	SE LUX	R-DESIGN	R-DESIGN SE
BLIS (Blind Spot Information System) with Autofolding Power Door Mirrors and Ground Lights. See <b>"SPECIAL OFFER"</b> .	£553.19	£96.81	£650.00	o	o	u (£450)	o	o
Passenger Airbag Cut Off Switch	£25.53	£4.47	£30.00	o	o	o	o	o
Laminated Water Repellent Side Windows	£357.45	£62.55	£420.00	o	u (£315)	u (£315)	o	u (£315)

**"SPECIAL OFFER" - Purchase BLIS and receive a free Family Pack.**

OPTIONAL EQUIPMENT - INTERIOR	Basic £	VAT £	Rec Retail Price £	S	SE	SE LUX	R-DESIGN	R-DESIGN SE
Powershift (6 Speed Automatic Transmission) (2.0D only)	£1,234.04	£215.96	£1,450.00	o	o	o	o	o
Geartronic Transmission (T5 only)	£1,148.94	£201.06	£1,350.00	n/a	o	o	o	o
Information Centre	£170.21	£29.79	£200.00	o	●	●	o	●
Cruise Control	£225.53	£39.47	£265.00	o	●	●	●	●
Keyless Drive	£297.87	£52.13	£350.00	o	o	o	o	o
Power Glass Tilt and Slide Sunroof	£506.38	£88.62	£595.00	o	o	o	o	o
Autodimming Rear View Mirror with Humidity Sensor and Compass	£217.02	£37.98	£255.00	n/a	●	●	o	●
Grocery Bag Holder	£68.09	£11.91	£80.00	o	●	●	o	●
Front and Rear Ashtray with Cigarette Lighter	-	-	-	nco	nco	nco	nco	nco
Power Driver's Seat with Seat Memory	£480.85	£84.15	£565.00	o	o	●	o	o
Aluminium Trim	£221.28	£38.72	£260.00	o	●	●	n/a	n/a
Oyster Burst Trim	£221.28	£38.72	£260.00	o	nco	nco	n/a	n/a
Nordic Light Oak Trim	£221.28	£38.72	£260.00	n/a	o	o	n/a	n/a
Leather-faced Upholstery <sup>(i)</sup>	£1,021.28	£178.72	£1,200.00	o	u (£600)	●	u (£500)	u (£500)
6 x CD Player <sup>(ii)(iii)</sup>	£68.09	£11.91	£80.00	o	o	o	o	o
High Performance Sound Audio System, 1 x CD/Radio, 4 x 40W Amplifier, USB and Aux Input and 8 Speakers (MP3/WMA Compatible)	£340.43	£59.57	£400.00	o	o	o	o	o
Dynaudio Premium Sound Audio System - with Dolby Pro Logic II Surround Sound <sup>(iv)</sup> , 5 x 130W Amplifier, USB and Aux Input, 1 x CD and 12 Speakers (MP3/WMA Compatible)	£851.06	£148.94	£1,000.00	o	o	o	o	o
Steering Wheel Remote Audio Controls	£68.09	£11.91	£80.00	o	●	●	●	●
Satellite Navigation System (RTI) with RDS-TMC Map Data on Hard Disk <sup>(ii)</sup>	£1,276.60	£223.40	£1,500.00	o	o	o	o	o
Bluetooth® Handsfree System <sup>(v)</sup>	£225.53	£39.47	£265.00	o	o	o	o	o
Dual Band Integrated GSM Telephone and Volvo On Call <sup>(ii)(vi)</sup>	£438.30	£76.70	£515.00	o	o	o	o	o

● = standard, o = option, n/a = not available, nco = no cost option, u (£) = upgrade ® = Registered Trademark.

(i) Leather-faced Upholstery upgrade on R-DESIGN and R-DESIGN SE is only available with 5D77 Off Black.

(ii) Must be ordered in conjunction with High Performance or Dynaudio Premium Sound Audio Systems.

(iii) If a 6 x CD Player is ordered, standard USB port is removed from the audio system.

(iv) Dolby and Pro Logic Surround Sound™ are trademarks of Dolby Laboratories Licensing Corporation.





OPTIONAL EQUIPMENT - EXTERIOR	Basic £	VAT £	Rec Retail Price £	S	SE	SE LUX	REDESIGN	REDESIGN SE
Black Paint (Solid)	£225.53	£39.47	£265.00	o	o	o	n/a	n/a
Metallic/Pearlescent Paint	£468.09	£81.91	£550.00	o	o	o	o	o
Inscription™ Paint	£659.57	£115.43	£775.00	o	o	o	o	o
16" Libra Alloy Wheels (Diamond Cut) – 205/55 R16 V Energy Saving Tyres (1.6D DRIVe only)	–	–	–	●	nco	nco	n/a	n/a
16" Cordelia Alloy Wheels (Silver Stone) – 205/55 R16 W Tyres <sup>(vii)</sup>	–	–	–	nco	nco	nco	n/a	n/a
17" Zaurak Alloy Wheels (Silver Bright) – 205/50 R17 W Tyres	£446.81	£78.19	£525.00	o	●	nco	n/a	n/a
17" Spartacus Alloy Wheels (Silver Bright) – 205/50 R17 W Tyres	£446.81	£78.19	£525.00	o	nco	●	n/a	n/a
18" Atreus Alloy Wheels (Diamond Cut/Dark Grey) – 215/45 R18 W Tyres (Not 1.6 or 1.6D)	£659.57	£115.43	£775.00	n/a	n/a	n/a	o	nco
18" Midir Alloy Wheels (Diamond Cut/Light Grey) – 215/45 R18 W Tyres (Not 1.6 or 1.6D)	£659.57	£115.43	£775.00	n/a	n/a	n/a	o	●
Tempa Spare Wheel and Jack Kit	–	–	–	nco	nco	nco	nco	nco
Autofolding Power Door Mirrors with Ground Lights	£170.21	£29.79	£200.00	o	o	●	o	o
Front Fog Lights	£170.21	£29.79	£200.00	o	●	●	●	●
Delete Roof Rails	–	–	–	nco	nco	nco	nco	nco
Rear Park Assist	£319.15	£55.85	£375.00	o	o	o	o	o

	Basic £	VAT £	Rec Retail Price £	S	SE	SE LUX	REDESIGN	REDESIGN SE
<b>WINTER PACK</b>								
Heated Front Seats, Headlamp Cleaning System and Textile Floor Mats	£382.98	£67.02	£450.00	o	o	●	u (£375)	u (£375)
Winter Pack with Active Bending Lights	£851.06	£148.94	£1,000.00	o	o	u (£575)	u (£925)	u (£925)
<b>FAMILY PACK</b>								
Integrated Booster Cushions x 2, Power Child Locks and Passenger Airbag Cut Off Switch. <b>See "SPECIAL OFFER"</b> .	£234.04	£40.96	£275.00	o	o	o	o	o
<b>COMMUNICATIONS PACK</b>								
Satellite Navigation System (RTI) with RDS-TMC Map Data on Hard Disk <sup>(vi)</sup> , Keyless Drive and Bluetooth® Handsfree System <sup>(v)</sup>	£1,612.77	£282.23	£1,895.00	o	o	o	o	o

**"SPECIAL OFFER" – Purchase BLIS and receive a free Family Pack.**

(v) Aux Input is removed when Bluetooth® Handsfree System is ordered in conjunction with Performance Sound Audio System.

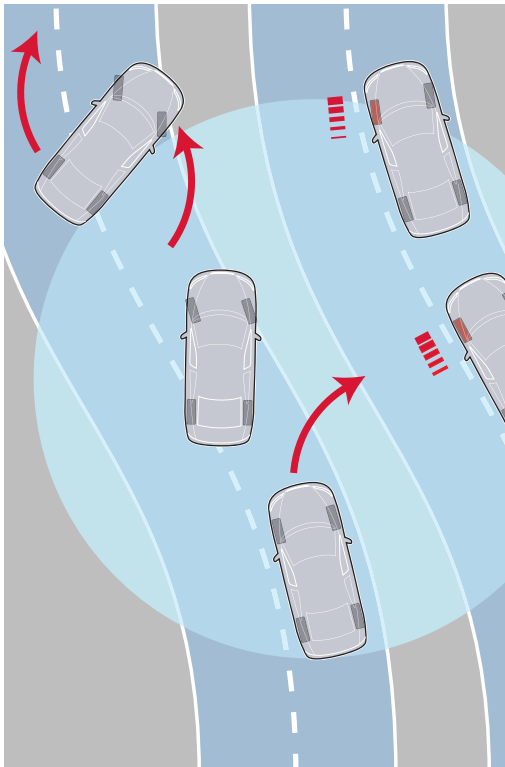
(vi) Volvo On Call includes Safety package (Security package available at additional cost).

(vii) If ordered with 1.6D DRIVe model, energy saving tyres will be fitted.



# Inside information.

Here you can learn more about the features and technology of your New Volvo V50. Some are standard, some are optional. For more detailed information, please contact your Volvo dealer or visit [www.volvocars.co.uk](http://www.volvocars.co.uk)



## Dynamic Stability and Traction Control (DSTC)

Dynamic Stability and Traction Control, DSTC, enhances driving stability and helps you maintain traction in a wide range of situations. At the core of DSTC, a gyroscope senses the car's direction and compares this with steering wheel movements as well as the actual rotation of the car's wheels. DSTC is able to detect a potential skid and help counteract one by reducing the engine's power output, or braking on one or more wheels.

## Whiplash Protection System (WHIPS)

Integrated in the front seats, Volvo's WHIPS cradles the occupant to help reduce the risk of whiplash injury (one of the most common types of traffic injury and often the result of a low-speed rear impact collision). The function is activated by a collision of sufficient force from behind. Independent research has shown that WHIPS is one of the most effective systems in the world and can reduce the risk of long-term injuries by 50%.



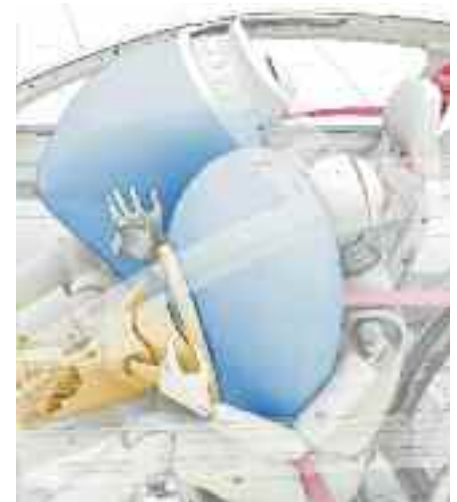
## Side Impact Protection System (SIPS)

SIPS is a Volvo unique safety system that has been developed to help protect where occupants are most exposed to the crash forces. The steel framework of the car – including the front seats – is designed and reinforced to help displace the impact of a side-collision away from the occupants to other parts of the car body and help prevent intrusion into the cabin. The side structure is extremely strong to help withstand a severe side impact – even with a larger vehicle. The Inflatable Curtain (IC) for all the outboard occupants and the front seat side airbags interact to help provide further protection.



## ISOFIX

ISOFIX attachments only allow you to fit the child seat in the correct way. They also make the child seat easier to fit and remove. We offer two rear-facing child seats with ISOFIX attachments: one for infants and small children up to 13 kg, and one for children weighing between 9 and 18 kg.



## Inflatable Curtain (IC)

The Inflatable Curtain (IC) helps protect the heads of both front and rear outboard occupants. It also stays inflated for some seconds to provide prolonged protection for subsequent impacts.

## Dual-stage airbags, driver and front passenger

Helping to optimise protection, the dual-stage airbags adapt the level of inflation depending on the force of the collision. The driver's airbag also interacts with the deformation of the collapsible steering column.



### Road and Traffic Information (RTI)

Volvo's GPS-based RTI navigation system offers both voice guidance and graphic navigation all the way to your destination. Via TMC (Traffic Message Channel) radio data broadcasts, RTI also lets you know if there's weather-related trouble on route and recommends an alternative. Extremely swift and precise, this new generation RTI features a hard disc drive covering maps for major parts of Europe. The system is fully integrated in your Volvo and is easily controlled from the steering wheel or optional remote, and the screen is positioned so you can keep your attention on traffic. You can choose between two operating modes – Easy and Advanced. When RTI is not needed, the screen is hidden into the dash. To help you keep track of new roads and points of interest, you can join our MapCare programme for two free map updates.

### Autofolding Power Door Mirror with Ground Lights

At the touch of a button, these door mirrors can be folded flat against the car where they are less likely to get damaged after you've parked. They also fold or unfold automatically every time you lock or unlock the car. The integrated ground lighting is activated with the remote control. Beyond enhancing security to and from your car at night, this is also convenient when getting in and out.



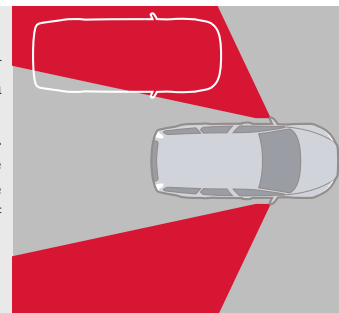
### Integrated Bluetooth® handsfree system

Bluetooth® technology enables a mobile phone to be connected to the infotainment system in your Volvo, wirelessly. Once configured for a mobile phone, the system automatically recognises your phone as you enter the car. And as you climb in and out of the car, the system automatically allows you to switch freely from the phone to the handsfree system and back again. With Volvo's integrated Bluetooth® handsfree system you conveniently operate your phone using the buttons in the steering wheel or the centre console keypad. Available as an accessory, there's also a voice-controlled Bluetooth® handsfree system that will listen to your command and make calls for you.

The Bluetooth word mark and logos are owned by the Bluetooth SIG, Inc. and any use of such marks by Volvo Car Corporation is under licence. Other trademarks and trade names are those of their respective owners.

### Blind Spot Information System (BLIS)

BLIS uses rear-facing cameras installed in the door mirrors to keep a lookout on either side of the car. As a vehicle enters your blind spot, this function can alert you with a lamp built into the front door post – left or right. Together with the door mirrors, this helps you assess the feasibility of a lane change. BLIS is activated once the car exceeds 6 mph, and reacts to almost any type of vehicle from a motorcycle upwards, day or night.

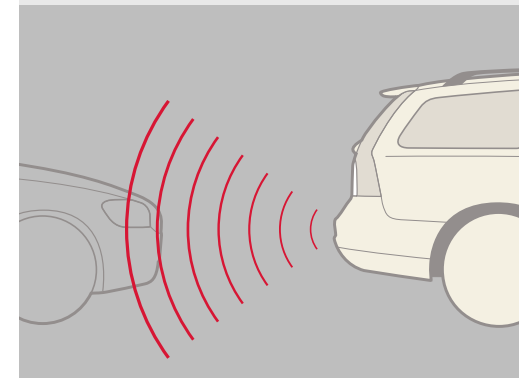


### Keyless Drive

Keep the car key in your pocket or handbag. Using the keyless drive technology you can unlock the doors and drive away without using the car key. To start the engine, just turn the starter control in the instrument panel.

### Park assist

Activated when you engage reverse gear, rear park assist helps you when reversing into tight spaces. The audio system is turned down and a pulsating sound from the rear loudspeakers becomes a continuous tone as you approach an obstacle.



# Accessories from Volvo.

Of course, your Volvo V50 won't be perfect until it's exactly how you want it. So here's a selection of our range of accessories to completely personalise your new car.



18" Medea  
Silver bright





**Convertible child seat (9-25 kg)**

Advanced design helps provide world-class protection and flexible seating for many years.



**Portable navigation system**

Designed to complement your Volvo, this easy-to-use Garmin nüvi® navigation unit guides you all the way.



**Booster seat (15-36 kg)**

Volvo's new booster seat helps position a child at the correct height for the safety belt.



**Sports pedals**

Enhance the driving experience with these tough, ridged sports pedals.



**Towbars**

Our lockable, easy-to-remove towbars are designed specifically for your Volvo.

Take a look at all our accessories and full pricing information at [www.volvocars.co.uk/accessories](http://www.volvocars.co.uk/accessories)

**COLOUR YOUR VOLVO.** When it comes to the appearance of your Volvo, the choice of exterior colour and wheels are probably your most important design decisions. For more exterior styling options and to build your new Volvo online, please visit [www.volvocars.co.uk](http://www.volvocars.co.uk)



019 Black Stone



426 Silver metallic <sup>(1)</sup>



452 Black Sapphire metallic <sup>(1)</sup>



455 Titanium Grey pearl <sup>(1)</sup>



466 Barents Blue pearl <sup>(1)</sup>



476 Brilliant Blue pearl <sup>(1)</sup>



477 Inscription™ Electric Silver coarse flake metallic <sup>(1)</sup>  
(sparkling metallic, shifts from silver to blue effect depending on light)



478 Maple Red pearl



479 Orinoco Blue metallic <sup>(1)</sup>



488 Gecko Green pearl <sup>(1)</sup>  
(shifts from green to gold effect depending on light)



490 Chameleon Blue pearl  
(shifts from blue to gold or transparent effect depending on light)



492 Savile Grey pearl



612 Passion Red <sup>(1)</sup>



614 Ice White <sup>(1)</sup>

<sup>(1)</sup> Also available with R-DESIGN.

**Please note:** It is not possible to reproduce exact original shades in printed matter. Please ask your dealer to show you samples.

**Clean colours**

To reduce usage of environmentally hazardous solvents all Volvo exterior colours are water-based. What's more, our painting facilities are among the cleanest in the world.

**EXTERIOR DESIGN** Aluminium wheels



18" Atrius  
Diamond Cut/Dark Grey



18" Midir  
Diamond Cut/Light Grey



17" Serapis  
Silver Bright



17" Spartacus  
Silver Bright



17" Zaurak  
Silver Bright



16" Cordelia  
Silver Stone



16" Libra  
Diamond Cut

**Please note:** All wheels cannot be combined with all engine variants.  
Please talk to your Volvo dealer for more information.

**IMAGINE YOUR NEW INTERIOR.** Crafted according to your requirements, the interior of your Volvo can take on any number of personalities. Choose between two interior colours, Off Black and Dark Umbra, and different upholstery variants. Pick the interior that suits you and add the finishing touch with the interior trim, steering wheel, gear knob and floor mat of your choice. After all, you're probably going to spend a lot of time here.

**ERGONOMIC DESIGN** Developed in cooperation with ergonomic specialists to provide generous support for the body during hours of driving, the seats in the Volvo V50 are among the most comfortable in the automotive world. Multiple adjustment possibilities and adjustable lumbar support make it easy to find the perfect driving position.



**Leather-faced**

This is the upholstery that affords the Volvo V50 an atmosphere of luxury. It's a new hide quality that's smooth, durable and has a fine grain pattern. Like all Volvo leather-faced upholstery, it's organically tanned and ages beautifully.

**Dalarö T-Tec**

New contemporary textile upholstery trimmed with ultra-modern T-Tec, inspired by wetsuits and durable outdoor gear. The ribbed backrest and contrasting seams add further zest.

**Boda textile**

New textile upholstery with colour coordinated piping, reflecting the sporty yet relaxed elegance of the Volvo V50.

Upholstery	Upholstery code	Upholstery colour	Dashboard top & upper door panel	Lower door panel, lower dashboard, carpet & tunnel console	Floor mats	Door insert colour	Headliner colour
R-DESIGN Leather/ T-Tec with Logo	5F7K	Off Black/Cream	Off Black	Off Black	Off Black/Cream	Off Black	Quartz Beige
Leather-faced	5DE1	Quartz Beige	Dark Umbra	Quartz Beige	Quartz Beige	Quartz Beige	Quartz Beige
	5DE4	Calcite Cream	Dark Umbra	Quartz Beige	Quartz Beige	Calcite Cream	Quartz Beige
	5D71	Quartz Beige	Off Black	Off Black	Quartz Beige	Quartz Beige	Quartz Beige
	5D77	Off Black	Off Black	Off Black	Off Black	Off Black	Quartz Beige
Dalarö T-Tec	5CE1	Quartz Beige	Dark Umbra	Quartz Beige	Quartz Beige	Quartz Beige	Quartz Beige
	5CE2	Umbra Brown	Dark Umbra	Quartz Beige	Quartz Beige	Umbra Brown	Quartz Beige
	5C71	Quartz Beige	Off Black	Off Black	Quartz Beige	Quartz Beige	Quartz Beige
	5C77	Off Black	Off Black	Off Black	Off Black	Off Black	Quartz Beige
Boda textile	5BE1	Quartz Beige	Dark Umbra	Quartz Beige	Quartz Beige	Quartz Beige	Quartz Beige
	5B77	Off Black	Off Black	Off Black	Off Black	Off Black	Quartz Beige

## INTERIOR DESIGN



Leather steering wheel



R-DESIGN Leather sports steering wheel with aluminium inlay



Off Black textile mats



Quartz textile mats



Leather gear knob, manual



Leather gear knob, Geartronic



R-DESIGN Leather gear knob with aluminium inlay, manual, and a sports gaiter



R-DESIGN Leather gear knob with aluminium inlay, Geartronic



Bauxite centre stack and door panel inlays



Aluminium centre stack and door panel inlays



Nordic Light Oak centre stack and door panel inlays



Oyster Burst centre stack and door panel inlays



R-DESIGN centre stack and door panel inlays



**INTERIOR DESIGN** Leather-faced



Off Black interior  
Leather-faced Off Black, 5D77



Off Black interior  
Leather-faced Quartz Beige, 5D71



Dark Beige interior  
Leather-faced Quartz Beige, 5DE1



Dark Beige interior  
Leather-faced, Calcite Cream, 5DE4

**INTERIOR DESIGN** Dalarö T-Tec



Off Black interior  
Dalarö T-Tec, Off Black, 5C77



Off Black interior  
Dalarö T-Tec, Quartz Beige, 5C71

**INTERIOR DESIGN** Boda textile



Off Black interior  
Boda, textile, Black, 5B77



Dark Beige interior  
Dalarö, T-Tec Umbra Brown, 5CE2



Dark Beige interior  
Dalarö T-Tec, Quartz Beige, 5CE1



Dark Beige interior  
Boda textile, Quartz Beige, 5BE1

**Please note:** It's not possible to reproduce exact original shades on printed matter. Please ask you dealer to show you samples.

# In fine detail.

The nuts and bolts of your Volvo V50. Whatever you need to know about your new car – whether that's fuel consumption, CO<sub>2</sub> emissions, top speed or boot space – you'll find it here.



ENGINE	1.6 Man	2.0 Man	T5	1.6D DRIVe Man	2.0D
Configuration	Transverse – 16 valve	Transverse – 16 valve	Transverse – 20 valve	Transverse – 16 valve	Transverse – 16 valve
Cylinders	4	4	5	4	4
Engine capacity, cc	1596	1999	2521	1560	1997
Bore x stroke, mm	79 x 81.4	87.5 x 83.1	83 x 93.2	75 x 88.3	85 x 88
Max. output ECE, PS/kw/rpm	100/74/6000	145/107/6000	230/169/5000	109/80/4000	136/100/4000
Max. torque ECE, Nm/rpm	150/4000	185/4500	320/1500 – 5000	240/1750	320/2000
Octane rating	95 RON Unleaded	95 RON Unleaded	98 RON <sup>®</sup> Unleaded	N/A Diesel	N/A Diesel
Fuel system	Multipoint fuel injection	Multipoint fuel injection	Multipoint fuel injection	Common rail direct injection	Common rail direct injection
Compression ratio	11.0:1	10.8:1	9.0:1	18.3:1	18.5:1

PERFORMANCE	1.6 Man	2.0 Man	T5 Man	T5 Gt	1.6D DRIVe Man	2.0D Man	2.0D P/shift
Top speed, mph	115	130	149	146	118	127	127
Acceleration 0-60mph, sec	11.4	9.0	6.4	6.8	10.9	9.0	9.2
0-62mph (0-100kmh), sec	12.0	9.6	6.9	7.3	11.5	9.6	9.7
Drag co-efficient	0.31	0.31	0.31		0.29		0.31

FUEL CONSUMPTION <sup>(a),(b)</sup>	1.6 Man	2.0 Man	T5 Man	T5 Gt	1.6D DRIVe S/S Man	1.6D DRIVe Man	2.0D Man	2.0D P/shift
Urban mpg (l/100km)	30.7 (9.2)	27.7 (10.2)	22.4 (12.6)	20.9 (13.5)	57.7 (4.9)	49.6 (5.7)	37.2 (7.6)	36.2 (7.8)
Extra Urban mpg (l/100km)	48.7 (5.8)	49.6 (5.7)	44.1 (6.4)	43.5 (6.5)	83.1 (3.4)	74.3 (3.8)	58.9 (4.8)	56.5 (5.0)
Combined mpg (l/100km)	39.8 (7.1)	38.2 (7.4)	32.5 (8.7)	31.4 (9.0)	72.4 (3.9)	62.8 (4.5)	48.7 (5.8)	47.1 (6.0)
CO <sub>2</sub> g/km	169	176	203	211	104	119	153	159
VED (Vehicle Excise Duty) Band	H	I	K	K	B	C	G	G
Fuel tank volume, litres	55	55	62		52		52	
Emission Level	Euro IV	Euro V	Euro V		Euro IV		Euro IV	

N.B All diesel models are fitted with a Diesel Particulate Filter.

INSURANCE GROUPS	1.6 Man	2.0 Man	T5	1.6D DRIVe Man	2.0D
S	7E	-	-	9E	10E
SE	-	12E	-	10E	10E
SE Lux	-	12E	-	10E	10E
R-DESIGN	-	12E	15E	8E	10E
R-DESIGN SE	-	12E	15E	-	10E

E = Exceeds security requirements for model concerned and group rating has been reduced.

WEIGHTS	1.6 Man	2.0 Man	T5		1.6D DRIVe		2.0D	
			Man	Gt	S/S Man	Man	Man	P/shift
Min. kerb weight, kg (actual kerb weight dependent on spec.)	1344	1402	1511	1529	1430	1435	1479	1514
Max. possible towing weight braked, kg	1200	1350	1500	1500	1300	1300	1500	1500
Max. towing weight unbraked approx, kg <sup>(iv)</sup>	650	700	700	700	700	700	700	700
Max. towball weight, kg	75	75	75	75	75	75	75	75
Max. total weight, kg	1850	1890	2000	2000	1900	1900	1960	2000
Max. roof load, kg	75	75	75	75	75	75	75	75
Max. payload, kg (dependent on spec.)	506	500	483	471	470	466	481	486

LUGGAGE COMPARTMENT	
Volume, litres	417
Volume, rear seats down, litres	717
Volume, rear seats down, to roof, litres	1307

BRAKES	1.6/2.0/1.6D DRIVe	2.0D	T5
Disc diameter mm, front	15" 278 Ventilated	16" 300 Ventilated	16.5" 320 Ventilated
Disc diameter mm, rear	280	280	280

TRANSMISSION	
Manual 2.0D/T5	6 speed
Manual 1.6/2.0/1.6D DRIVe	5 speed
Powershift (Automatic Gearbox) (2.0D)	6 speed
Geartronic T5	5 speed

POWER STEERING SYSTEM	All models
(rack & pinion)	
Turning circle, m (ft)	10.6 (34.9)

- (i) For best performance and lowest fuel consumption 98 RON is recommended, 95 RON can be used for normal driving.
- (ii) The results do not express or imply any guarantee of the fuel consumption of a particular car.
- (iii) Official fuel consumption figures are obtained in accordance with Directive 93/116/EC as amended by 1999/100/EC. The figures are obtained under controlled test conditions and as such consumption achieved on the road will not necessarily accord with the official test results. Factors including driving styles and road, car and weather conditions will also have a bearing on actual fuel consumption achieved.
- (iv) Unbraked towing weight must not exceed 50% of kerb weight up to a maximum of 700 kg.

#### Notes

The weight of a vehicle will influence the level of CO<sub>2</sub> emitted and as a result, vehicles with higher levels of specification and factory fit options may emit higher levels of CO<sub>2</sub>. However, Vehicle Excise Duty is charged according to the weight and CO<sub>2</sub> emissions of the standard vehicle, as published in this price list. The weight effect of any additional items does not affect the amount of Vehicle Excise Duty payable.

A weighbridge must be used to determine specific weights. Data valid for manual transmission unless specified.

All measurements in mm.

Gt = Geartronic Automatic Transmission.

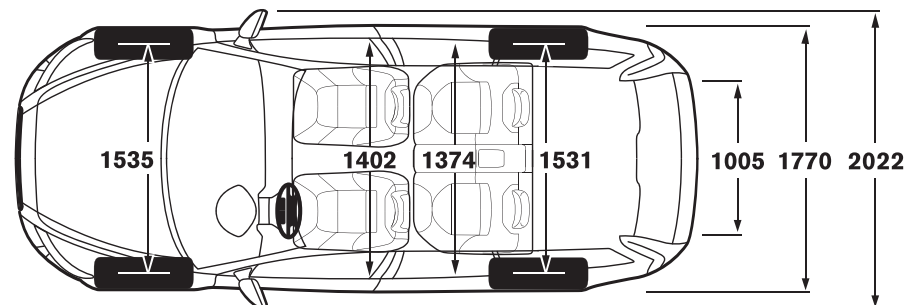
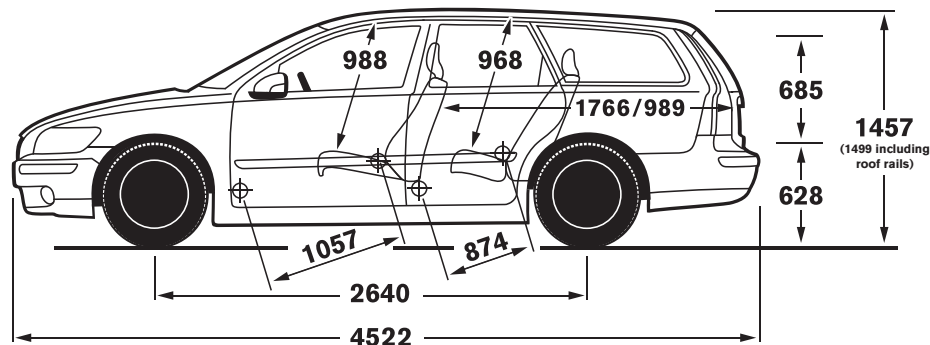
P/shift = Powershift Automatic.

S/S = Start/Stop Technology.

The max. output figures are quoted in PS (Pferdestärke), which is the metric equivalent of brake horsepower.

NB Some of the information in this price list may not be correct due to product changes which may have occurred since it was printed. Some of the equipment described or shown may now be available only at extra cost. Before ordering, please ask your Volvo dealer for the latest information. The manufacturer reserves the right to make changes at any time, without notice, to prices, colour, materials, specifications and models.

Volvo Car UK Limited, Globe Park, Marlow, Buckinghamshire, SL7 1YQ.



# Meet the family.

## Fuel consumption and CO<sub>2</sub> emissions for the Volvo range:

Fuel consumption mpg (l/100 km):  
Urban: 57.7 (4.9) – 14.1 (20.0).  
Extra Urban: 83.1 (3.4) – 28.8 (9.8).  
Combined: 74.3 (3.8) – 20.9 (13.5).  
CO<sub>2</sub> emissions: 99 – 322g/km.

**Please note:** Some of the information in this brochure may be incorrect due to changes in product specification that may have occurred since printing. Some of the equipment described or shown may now only be available at extra cost. Before ordering, please ask your Volvo dealer for the latest information. The manufacturer reserves the right to make changes at any time and without notice, to prices, colours, materials, specifications and models.

**Furthermore:** There are options, accessories and packages that can be chosen separately or combined as you like. For more information, please contact your Volvo dealer.

# S



**Volvo S40** The compact and energetic saloon.



**Volvo S80** The premier saloon, meticulously engineered for superior driving comfort.

# V



**Volvo V50** The Sportswagon — flexible, compact and full of zest.



**Volvo V70** The genuine family estate — highly competitive yet comfortably versatile.

# XC



**Volvo XC60** A sporty coupe and a capable all-roader fused into a Swedish crossover experience.



**Volvo XC70** The rugged yet stylish all-roader.



**Volvo XC90** The versatile SUV that takes you anywhere with grace.

# C



**The new Volvo C30** The compact and charismatic SportsCoupe.



**The new Volvo C70** A retractable hardtop convertible that seats four adults with comfort.



# The end is just the beginning.

## **VOLVO TOTAL CARE**

**We want your experience of buying and owning a Volvo to be one of life's pleasures, that's why we're here to make it as care-free and easy as possible. It's simple – Volvo Total Care is a single port of call for all your motoring requirements, from funding your purchase to protecting your investment with Volvo Car Insurance to monthly payment plans for servicing. We will even provide you with special offers during your ownership. Volvo Total Care is designed to make owning a Volvo rewarding. For further information on Volvo Total Care please contact your dealer or go to [www.volvocars.co.uk/totalcare](http://www.volvocars.co.uk/totalcare)**

## **FINANCE**

Volvo Car Financial Services have developed a series of funding plans that will provide you with a range of choices and flexibility when acquiring a Volvo<sup>®</sup>. For details of the current promotions available, please visit [www.volvocars.co.uk/financepromotions](http://www.volvocars.co.uk/financepromotions).

**WHAT NEXT?** If you'd like to find out more about the range of products and services that make up Care by Volvo, the story continues at [www.volvocars.co.uk](http://www.volvocars.co.uk). Alternatively you can contact your nearest Volvo dealer or request relevant brochures.

(i) Finance subject to status. Terms and conditions apply. Guarantees/Indemnities may be required. Applicants must be 18 or over. Volvo Car Financial Services RH1 1SR.

(ii) When using a Volvo approved Body and Paint repairer.

(iii) Volvo Car Insurance is underwritten by Royal & Sun Alliance Insurance plc (No. 93792). Registered in England and Wales at St Mark's Court, Chart Way, Horsham, West Sussex RH12 1XL. Authorised and regulated by the Financial Services Authority. For your protection telephone calls will be recorded and may be monitored. All benefits are subject to qualifying status, terms and conditions, cover level and underwriting criteria. Service and repair benefits are subject to being carried out by a recommended repairer.

## **INSURANCE**

Volvo Car Insurance is designed for Volvo drivers and because we know Volvos inside out, we can offer exactly the right tools and expertise, fitting only genuine Volvo parts by trained Volvo technicians<sup>®</sup>. Your Volvo will come with seven days drive away insurance, so you've already got peace of mind. Because Volvo drivers have an excellent reputation, we can also offer extensive cover at a reasonable price<sup>®</sup>.

Call now for your insurance quote on **0800 238 239**, quoting reference BROCH.

## **SERVICING YOUR VOLVO**

**Your Volvo dealer has the unique know-how to tailor a service programme according to Volvo's strict recommendations and guarantees you years of safety and driving pleasure. In addition, why not save yourself money on service costs by taking out a Volvo Service Plan? They're designed to spread servicing costs on an interest-free monthly basis, providing you with economic, convenient servicing and peace of mind.**

**Whatever option you choose your costs are fixed no matter what happens to labour, parts or oil prices. You will also have the satisfaction of being able to have your Volvo serviced at any one of our UK Volvo dealers and Service Centres. For further information and to purchase online please go to [www.volvocars.co.uk/serviceplan](http://www.volvocars.co.uk/serviceplan)**

## **VOLVO ON CALL**

Subscribe to Volvo On Call and you'll never be completely on your own. It's a GPS-based communication system providing 24-hour access to both emergency and roadside assistance wherever you are. See the Volvo On Call brochure for more information.

## **LOOKING AHEAD**

**You'll probably never find out just how good some of these services are. But should the unexpected happen, we'd like to think that you'd be even happier you chose a Volvo.**

## **ROADSIDE ASSISTANCE**

Every new car comes with one year's Volvo Assistance cover. You'll enjoy free breakdown and recovery assistance, anywhere in Europe, 24 hours a day. You can even extend cover for £85 for one year or £155 for two years. Call Volvo Assistance on **08701 650 978**.

## **WARRANTY**

Every new Volvo comes with comprehensive protection. Our warranty covers the first three years or 60,000 miles, whichever comes first. There's a three year unlimited mileage warranty on the paintwork, and either eight or twelve years against rust perforation. If a component fails due to a defect or material fault, your dealer will swiftly rectify the problem, free of charge.

**THERE'S MORE TO LIFE THAN A VOLVO.**

Volvo. for life



**THAT'S WHY YOU DRIVE ONE.**

**VOLVO**

**Volvo Car UK Limited**  
[www.volvocars.co.uk](http://www.volvocars.co.uk)

All "On The Road" prices quoted in this price list include Volvo standard national delivery charge, inclusive of number plates and VAT at £535 and the VED (Vehicle Excise Duty) car tax as of 1st May 2009. This charge does not include any provision for fuel. The "On The Road" price also includes a £55 vehicle first registration fee (as set by the government - excludes Channel Islands and Isle of Man). Recommended retail prices quoted do not include these additions.

MODEL YEAR 2010 EDITION 5
Issued 01/01/2010