

A-Class



Mercedes-Benz





# 1 glance

and you're hooked

It's hard to take your eyes off this new Mercedes. Truly distinctive on the outside, it waves goodbye to boredom on the road. Inside, you're welcomed by maximum comfort. High tech? Of course. Highest level of safety? It goes without saying. Efficiency? You've guessed it. Here's a Mercedes true to its tradition. And a car like you've never seen it before. Hello, new A-Class.



A detailed view of the Mercedes-Benz A-Class interior, focusing on the dashboard and steering wheel. The steering wheel is black with red stitching and features the Mercedes-Benz logo. The dashboard is black with three circular air vents and a central infotainment screen. The screen displays the Mercedes-Benz App interface with icons for Facebook, Nachrichten, Parkplatzsuche, and Mercedes-Benz Features. The text '800 x 480' is overlaid in large white font on the right side of the image.

# 800 × 480

A crisp resolution with COMAND Online

Keeping in touch with the virtual world couldn't be simpler behind the wheel, courtesy of the new 7-inch display. It's your window of endless opportunities: surf the net, tweet away, get in touch on Facebook. And in the real world, electric parking brake, Active Park Assist, reversing camera and hold function ensure you enjoy every mile a little more. The new A-Class helps you stay connected.



# 149 mph

Speed has its limit. Agility doesn't



# 6.6 sec

## A spontaneous sprint: from 0 to 60 mph in the nick of time

Steam ahead with an impression to last. Powered by a well-trained muscle, at the heart a powerful direct injection 4-cylinder petrol or diesel engine. Change gears seamlessly with the 7G-DCT 7-speed automatic transmission. Hug the tarmac with the Dynamic Handling Package which includes Selective Damping System and sports suspension. The A-Class Engineered by AMG takes things up by another notch. It even looks like an athlete with the distinctive front diamond grille with one louvre and decorative red strip on front and rear bumpers. Don't drive away for anything less.



# Design

**A typical Mercedes unlike any other.** The new A-Class inspires with its unique, refreshingly emotional yet sporty design. Choose between five model lines for a truly individual new A-Class, tailored to your taste.

- A coupé-like shape with distinct design lines and a dynamic-looking front end featuring a two-louvre grille (or one-louvre grille in diamond design for the Engineered by AMG)
- Muscular presence with broad front wings and a wide and low stance at the rear end
- An upscale interior with sporty dashboard controls, all arranged for ergonomic ease and comfort, featuring a multi-function steering wheel in 3-spoke design with 12 function buttons, multi-function screen in the instrument cluster, a tablet-style central display and sports seats with integrated head restraints
- Choice of five model lines: A 180, SE, Sport, AMG Sport and Engineered by AMG

# Dynamics

**Discover the art of turning a drop of fuel into high performance.** Dynamic and efficient engines deliver up to 211 hp (155 kW). The optional 7G-DCT 7-speed automatic transmission works seamlessly. The agile driving performance can be further enhanced depending on the chosen model line, for example sports suspension with Direct Steer and Dynamic Handling Package on the AMG Sport. At the same time, a range of specifically-tailored BlueEFFICIENCY measures ensure these engines are kinder to the environment.

- Top-range A 250 BlueEFFICIENCY engine for the Engineered by AMG model with unique diamond grille design, AMG sports suspension with enhanced front axle plus an athletic 7G-DCT 7-speed automatic transmission
- 7G-DCT 7-speed automatic transmission with steering wheel gear shift paddles, with three shift programmes available as an option (standard on A 250 BlueEFFICIENCY)
- Four-way rear axle for increased stability and drive comfort, plus Torque Vectoring Brake for improved driving dynamics, ideal for those with a sporty driving style
- Economical, with low emissions due to engines with direct injection and turbocharging, coupled with ECO start/stop function
- Ideal aerodynamics rating with a drag coefficient of only 0.27

The new A-Class. The new generation Mercedes-Benz



# Safety

**Comprehensive safety measures.** The new A-Class is fitted with Attention Assist and Collision Prevention Assist including Adaptive Brake Assist as standard. In fact, in true Mercedes fashion, it's packed with state-of-the-art safety systems and electronic assistants. Plus, the robust safety passenger cell and up to nine airbags offer maximum passenger protection onboard.

- Collision Prevention Assist and Attention Assist (standard)
- Adaptive Brake Assist, standard and in combination with other integrated assistants such as a hold function, dry braking for wet surfaces and Hill Start Assist
- Tyre pressure loss warning (standard)
- Radar-assisted cruise control system Distronic Plus (optional, only in combination with the new 7G-DCT 7-speed automatic transmission)
- Lane-Tracking Package, including Lane-Keeping Assist and Blind Spot Assist (optional)
- Intelligent Light System (ILS), including bi-xenon headlamps, Adaptive High Beam Assist, cornering light function, headlamp wash and LED daytime running lights (optional)
- Pre-Safe® anticipatory safety system with seat belt tensioners for driver and front passenger and automatically-closing mechanism for side windows (optional)
- Active Bonnet provides extra protection for pedestrians (standard)
- Electric parking brake (standard)

# Comfort

**Travel first class on every road.** Take the standard multi-function steering wheel, air conditioning and the Seat Comfort Package or choose from a comprehensive list of options, and you'll find the A-Class has no limit when it comes to your comfort on the road.

- NTG 4.5 telematics with Audio 20 CD/radio with 5.8-inch colour display and telephone keypad (standard)
- Pre-wiring for Becker® Map Pilot navigation system (standard)
- Memory Package for front seats, with electrical height/back adjustment with memory function and 4-way lumbar support (optional)
- Luxury automatic climate control with stationary heating (optional)
- Light and Sight Package (standard, optional for SE)
- Panoramic sliding glass sunroof (optional)
- Active Park Assist, including Parktronic parking guidance and reversing camera (all optional)
- Mirror Package, including electrically folding exterior mirrors and automatically dimming interior and exterior mirrors (optional)



With an iPad® you can download the interactive A-Class brochure app either by scanning the QR code or by visiting the App Store

→ [www.mercedes-benz.co.uk/a-class](http://www.mercedes-benz.co.uk/a-class)



## A 180

Fresh, dynamic, outstanding quality: the new A 180 features an eye-catching interior and exterior full of innovative ideas and attention to detail. It comes with standard 15" steel wheels, front and rear bumpers in body colour, and comfort suspension. The interior is fitted with a multi-function steering wheel, pre-wiring for Becker® Map Pilot navigation system and Audio 20 CD/radio with a 5.8-inch tablet-style central display, 6-speakers and telephone keypad, Bluetooth®, aux-in socket, USB port and the Seat Comfort Package with Domburg cloth upholstery.



A 180 – pure and simple





## SE

The SE model features chrome beltline strips, a two-louvre grille in body colour, as well as 16" 10-spoke alloy wheels. Inside, you'll be welcomed by sports seats as standard, a choice of two interior combinations, pre-wiring for Becker® Map Pilot navigation system and Audio 20 CD/radio with a 5.8-inch tablet-style central display, 6-speakers and telephone keypad, Bluetooth®, aux-in socket and USB port.



The A-Class SE – with 16" 10-spoke alloy wheels and two-louvre grille in body colour

## Sport

True to its name, the Sport model is equipped with chrome trim parts, a silver two-louvre grille, twin sports tailpipes and 17" bi-colour 5-twin-spoke alloy wheels. For added comfort and safety, there is ambient lighting, rain-sensing wipers and cruise control as standard. The interior stands out with Black Artico artificial leather and chequered design cloth upholstery. Or choose Grey Artico artificial leather and chequered design cloth, as a no-cost option.



The A-Class Sport – fitted with a silver two-louvre grille and 17" bi-colour 5-twin-spoke alloy wheels for a more dynamic appeal



## AMG Sport

If you want to enhance the sporty performance of your A-Class, the AMG Sport offers the Dynamic Handling Package with sports suspension, which lowers the AMG Sport by 15 mm and includes selective damping. Looking good: 18" AMG multi-spoke alloy wheels and AMG bodystyling comprising front/rear apron and side skirts. Inside, the Artico artificial leather/Dinamica® microfibre with red stitching upholstery combination adds to the premium atmosphere.

## Engineered by AMG

As athletic and dynamic as you could possibly get, this model line features both AMG Sports Package and AMG bodystyling, 18" AMG 5-spoke alloy wheels and AMG sports suspension. And there's plenty more to catch the eye: bi-xenon headlamps, red trim parts on front and rear bumpers, red brake calipers and sports badging on front wings. Inside, the colour theme continues with carbon-fibre look trim, an instrument cluster with red needles facing the six o'clock position, red air vents, red *designo* seat belts and floor mats adorned with the 'Sport' badge.



The A-Class AMG Sport – sporty performance meets dynamic looks, inside and out



Top performance meets eye-catching style. The A-Class Engineered by AMG signals its sporty appeal with red elements throughout



## Night Package

For a truly distinctive look, the A-Class can be further enhanced with the Night Package. It includes a two-louvre high-gloss black grille with chrome details, black wing mirrors, black high-gloss beltline strips, black burnished 5-twin-spoke alloy wheels with 235/40 R 18 tyres with run-flat capability, as well as heat-insulating privacy glass for the rear and rear side windows. The Night Package offers extensive exterior features to complement the Sport and AMG Sport.



The distinctive Night Package makes its mark with heat-insulating privacy glass for the rear windows and a whole range of black high-gloss exterior trim details

## Exclusive Package and AMG Exclusive Package

This optional Exclusive Package fills the interior of the A-Class Sport model with even more luxurious touches. It includes heated sports seats with 4-way lumbar support for both front passengers and a choice of Lava Black, Hazelnut Brown or Crystal Grey leather upholstery. The steering wheel and gear lever also feature a leather trim, complemented by interior door panels in Artico artificial leather and velour floor mats. In combination with AMG Sport and Engineered by AMG your A-Class can also be fitted with the AMG Exclusive Package containing two-tone red-cut leather upholstery and contrasting red decorative seams.



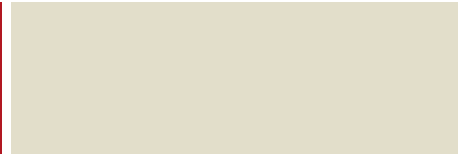
For a truly luxurious atmosphere on board the A-Class, premium materials take the lead in the Exclusive Package



Non-metallic paints



589 Jupiter Red

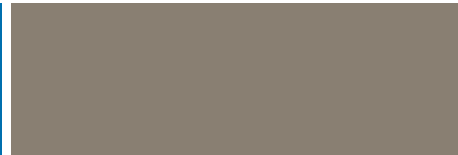


650 Cirrus White

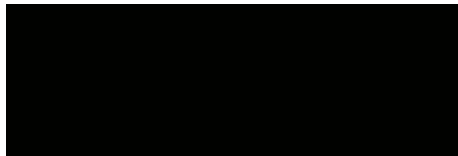
Metallic paints<sup>1</sup>



162 South Seas Blue



893 Monolith Grey<sup>2</sup>



191 Cosmos Black



894 Universe Blue



761 Polar Silver



787 Mountain Grey

A 180



Standard seats with Black cloth



021 Black cloth



Trim - Honeycomb look

SE



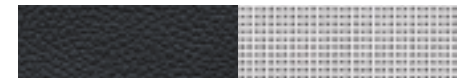
Sports seats with Black Artico<sup>3</sup>/cloth



451 Black Artico<sup>3</sup>/cloth



Sports seats with Black/White Artico<sup>3</sup>/cloth



455 Black/White Artico<sup>3</sup>/cloth



Trim - Matrix look

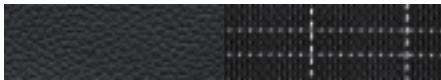
<sup>1</sup> Optional (not available for A 180) <sup>2</sup> Not available for AMG Sport and Engineered by AMG <sup>3</sup> Artificial leather <sup>4</sup> Only in conjunction with Sport <sup>5</sup> Trim comes in appointed colour <sup>6</sup> Only in conjunction with AMG Sport and Engineered by AMG



Sport



Sport seats with Black Artico<sup>3</sup>/chequered design cloth



361 Black Artico<sup>3</sup>/chequered design cloth



Sport seats with Grey Artico<sup>3</sup>/chequered design cloth



368 Grey Artico<sup>3</sup>/chequered design cloth



Trim – Black chequered pattern look



Trim – Grey chequered pattern look

AMG Sport and Engineered by AMG



Sport seats with Black Artico<sup>3</sup>/Dinamica<sup>®</sup> with red stitching



651 Black Artico<sup>3</sup>/Dinamica<sup>®</sup>



Trim – Carbon-fibre look

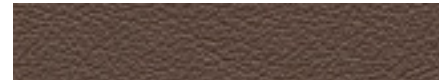
Exclusive Package<sup>4,5</sup>



Sports seats with leather



801 Lava Black leather



804 Hazelnut Brown leather



808 Crystal Grey leather

AMG Exclusive Package<sup>5,6</sup>



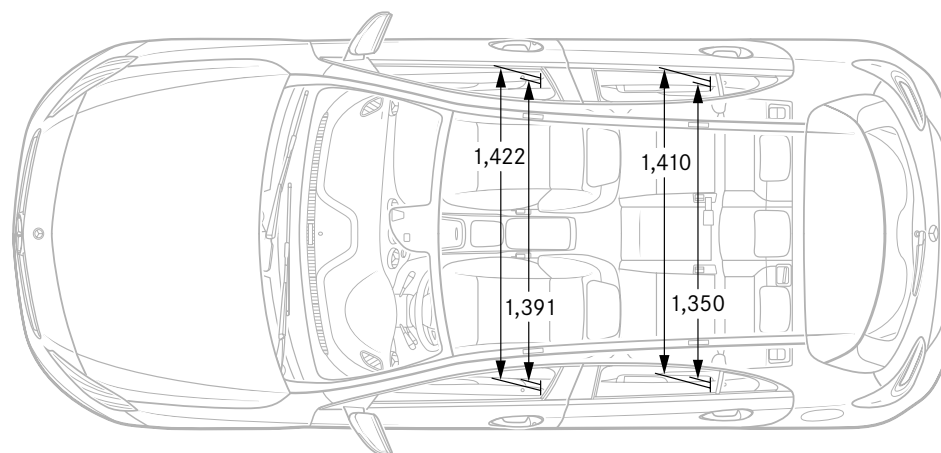
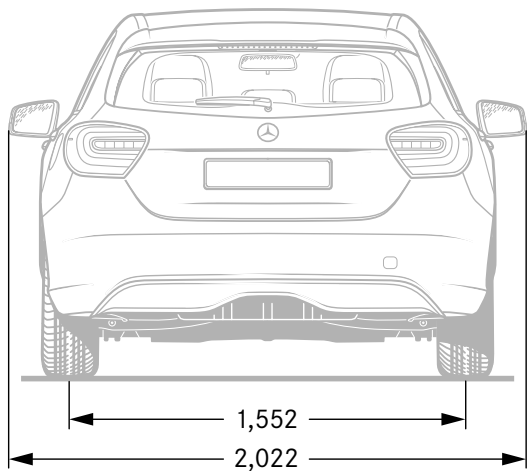
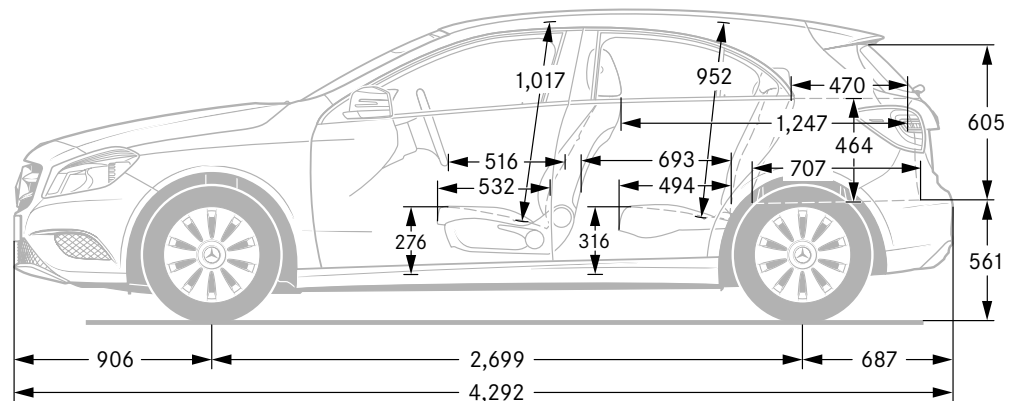
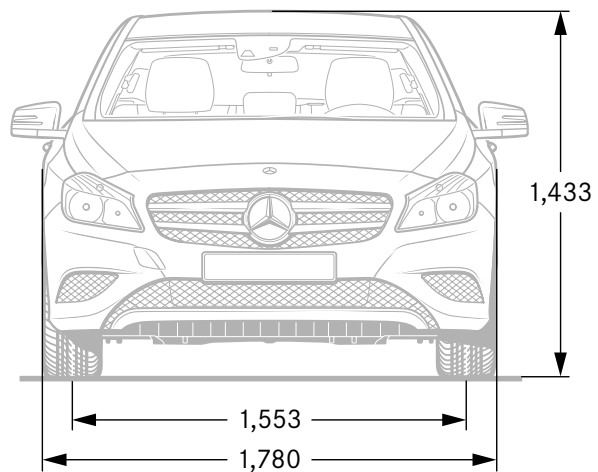
Sports seats with Lava Black leather and red perforations



811 Lava Black leather with red perforations



# Dimensions



All measurements in millimetres. The dimensions are mean values and apply to standard-specification, unladen vehicles



# Technical data

	Diesel engines			Petrol engines			Engineered by AMG
	A 180 CDI BlueEFFICIENCY	A 180 CDI BlueEFFICIENCY (7G-DCT)	A 200 CDI BlueEFFICIENCY	A 180 BlueEFFICIENCY	A 200 BlueEFFICIENCY	A 250 BlueEFFICIENCY	A 250 BlueEFFICIENCY
No. of cylinders/arrangement	4/in-line	4/in-line	4/in-line	4/in-line	4/in-line	4/in-line	4/in-line
Total displacement – cc	1,461	1,796	1,796	1,595	1,595	1,991	1,991
Rated output <sup>1</sup> – hp (kW) at rpm	109 (80)/4,000	109 (80)/3,200–4,000	136 (100)/3,600–4,400	122 (90)/5,000	156 (115)/5,300	211 (155)/5,500	211 (155)/5,500
Rated torque <sup>1</sup> – Nm at rpm	260/1,750–2,500	250/1,400–2,800	300/1,600–3,000	200/1,250–4,000	250/1,250–4,000	350/1,200–4,000	350/1,200–4,000
Acceleration 0–62 mph – sec (auto.)	11.3	(10.6)	9.3 (9.2)	9.2 (9.1)	8.4 (8.3)	(6.6)	(6.6)
Top speed, approx. – mph	118	118	130	126	139	149	149
Tyre size	225/45 R 17	225/45 R 17	225/45 R 17	205/55 R 15	225/45 R 17	225/40 R 18	235/40 R 18
Fuel consumption <sup>2</sup> – mpg (auto.)							
Urban	62.8	(58.9)	51.4 (56.5)	37.7 (39.8)	37.2 (39.2)	(33.6)	(33.6)
Extra-urban	85.6	(74.3)	72.4 (70.6)	65.7 (62.8)	61.4 (60.1)	(56.5)	(55.4)
Combined	74.3	(68.9)	62.8 (65.7)	51.4 (52.3)	49.6 (50.4)	(45.6)	(44.1)
CO <sub>2</sub> emissions, combined <sup>2</sup> – g/km (auto.)	98–105	(109–116)	118–121 (114–116)	128–135 (127–133)	134–136 (131–133)	(145)	(148)
EU emissions standard	EU5	EU5	EU5	EU6	EU6	EU6	EU6
Fuel tank capacity/reserve (approx.) – l	50/6.0	50/6.0	50/6.0	50/6.0	50/6.0	50/6.0	50/6.0
Boot capacity – l	341–1,157	341–1,157	341–1,157	341–1,157	341–1,157	341–1,157	341–1,157
Turning circle – m	11.00	11.00	11.00	11.00	11.00	11.00	11.00
Towing capacity, braked/unbraked – kg (auto.)	1,200/695	(1,200/735)	1,400/720 (1,400/735)	1,200/685 (1,200/695)	1,400/685 (1,400/695)	(1,500/720)	(1,445/525)
Kerb weight <sup>3</sup> – kg (auto.)	1,395	1,475	1,445 (1,475)	1,370 (1,395)	1,370 (1,395)	1,445	1,445
Perm. Gross Vehicle Weight – kg (auto.)	1,960	(2,000)	2,010 (2,000)	1,935 (1,920)	1,935 (1,920)	(1,970)	(1,970)

<sup>1</sup> Figures in accordance with Directive 80/1269/EEC in the currently applicable version <sup>2</sup> The figures shown were obtained in accordance with the prescribed measuring process (Regulation [EC] 715/2007 in the currently applicable version).

The figures are not based on an individual model and do not constitute part of the product offer; they are provided solely for purposes of comparison between different vehicle models <sup>3</sup> Figures according to Directive 92/21/EC, version 95/48/EC (kerb weight with fuel tank 90% full, driver, 68 kg, and luggage, 7 kg) for standard-specification vehicles. Optional extras and accessories will generally increase this figure and reduce the payload capacity accordingly For further technical data, please visit [www.mercedes-benz.co.uk](http://www.mercedes-benz.co.uk)

**Take-back of end-of-life vehicles. Coming full circle.** At the end of its long life, you can return your A-Class to us for environment-friendly disposal in accordance with the EC End-of-Life Vehicle Directive.<sup>1</sup> But that day lies a long way off.

<sup>1</sup>Applies in accordance with national regulations to vehicles up to 3.5 t permissible gross weight. The A-Class has met the statutory regulations governing the suitability of the vehicle's design for reuse and recycling for a number of years now. A network of vehicle take-back depots and dismantlers has been established which will process your vehicle in an environment-friendly manner. The ways in which both vehicles and parts can be recovered are subject to ongoing development and improvement. Consequently, the A-Class will be able to comply with any future increases in the recycling quota within the stipulated time limits. Further information is available at [www.mercedes-benz.co.uk](http://www.mercedes-benz.co.uk) or by calling 0808 156 6606.

**Please note:** changes may have been made to the products since this brochure went to press (07.03.2012). The manufacturer reserves the right to make changes to the design, form, colour and specification during the delivery period, provided these changes, while taking into account the interests of the vendor, can be deemed reasonable with respect to the purchaser. Where the vendor or the manufacturer uses symbols or numbers to describe an order or the subject of an order, no rights may be derived solely from these. The illustrations may show accessories and items of optional equipment which are not part of standard specification. Colours may differ slightly from those shown in the brochure, owing to the limitations of the printing process. This brochure has been compiled by Daimler AG of Germany and is distributed internationally. It provides a general indication of the range of models, features, optional extras and/or colours available in various countries. Some of the models, features, optional extras and/or colours shown may not be available in your country or may only be available in a different specification. Additionally some models, features, optional extras and/or colours may only be available in combination with others. For current and more specific information in relation to the range of models, features, optional extras and/or colours available in your country, and their pricing, you should contact your nearest authorised Mercedes-Benz Retailer. E&OE. [www.mercedes-benz.co.uk](http://www.mercedes-benz.co.uk)

