

M-Class



Mercedes-Benz



On: luxury
Off: stress



Switch off from the daily routine. With its spacious cabin, superb comfort and first-class materials, the new M-Class lets you leave it all behind – as soon as you climb aboard.



High: safety levels
Low: heart rate



In the new M-Class, the driving experience is always smooth and relaxing. You not only sit higher and hence see further, you also enjoy the reassurance of vigilant safety systems. Be it urban jungles or rough terrain, the M-Class is equipped for whatever the journey brings.



The image shows the front interior of a Mercedes-Benz vehicle at night. The dashboard, center console, and steering wheel are visible, featuring wood trim and ambient lighting. The car is parked on a road with streetlights and a city skyline in the background. The text '↑: comfort' and '↓: effort' is overlaid on the left side of the image.

↑: comfort
↓: effort





+ output
– emissions

Despite performance that's anything but modest, when it comes to fuel, the new M-Class is a model of restraint. Its many efficiency-enhancing features help it to achieve significantly greater reductions in fuel consumption and CO₂ emissions – the ML250 BlueTEC Sport, for instance, returns an impressive 44.8 mpg on the combined cycle.



Environment

As easy on the planet as it is on the eye, the new M-Class shows just how environmentally sensitive SUV driving can be. Thanks to high-tech engines and BlueEFFICIENCY measures such as ECO start/stop, low-resistance tyres and an adjustable radiator shutter, it offers new levels of fuel efficiency and significantly reduces CO₂ emissions.

- New 4- and 6-cylinder diesel engines (ML250 BlueTEC Sport and ML350 BlueTEC Sport, respectively)
- Euro 6 emissions compliance for both BlueTEC diesel engines
- New 7G-Tronic Plus 7-speed automatic transmission for optimised engine speeds and reduced fuel consumption
- ECO start/stop function and current fuel consumption display
- Energy-saving design for ancillaries such as fuel and steering pumps
- On-demand air-conditioning compressor
- Fuel-saving tyres with low rolling resistance
- Optimised aerodynamics and adjustable radiator shutter

Safety

The new M-Class is the culmination of decades of innovation in on- and off-road safety. Its four-wheel drive system combines ESP® and our Four-Wheel Electronic Traction System (4ETS) to give you optimum stability and control. Numerous vigilant assistants help you to avoid danger, especially in stop/start traffic and multi-lane driving, while Attention Assist even monitors your own behaviour and spots signs of tiredness.

- Permanent four-wheel drive system plus Four-Wheel Electronic Traction System (4ETS) and Electronic Stability Programme (ESP®)
- Attention Assist
- Intelligent Light System with Adaptive High Beam Assist for optimum visibility at all times (optional)
- Night View Assist Plus (optional)
- Pre-Safe® anticipatory safety system
- Airbags and sidebags for driver and front seat passenger, driver's side kneebag, windowbags for all occupants, optional rear sidebags
- Active Bonnet for increased pedestrian protection
- High driving position for a commanding view of the road and a relaxing drive
- Driving Assistance Package comprising Distronic Plus with Pre-Safe® Brake, BAS Plus, Active Blind Spot Assist and Active Lane-Keeping Assist (optional)

The new M-Class. Permanent control



Design

Strong personalities have a particular magnetism – and none more so than the new M-Class. Its muscular yet elegant lines exude confidence, while details such as the new AMG bodystyling make it more irresistible than ever. Wherever you go, this is an off-roader that always catches the eye.

- LED daytime running lights fitted as standard on both models
- Running boards (optional)
- Panoramic glass sunroof covering entire roof surface (optional)
- New AMG bodystyling with front and rear aprons and side skirts; 19" AMG 5-spoke alloy wheels; sport brakes with 18"/19" brake discs, perforated, with caliper covers
- New AMG alloy wheels in a variety of sizes and designs
- Wide range of exterior and interior colours, upholstery and trim
- High-quality interior with combination Dinamica/Artico artificial leather upholstery, Artico artificial leather door panels and brushed aluminium trim as standard
- Artico artificial leather trim for dashboard and door caps (optional)
- Ambient interior lighting with choice of colours (optional)

Comfort and equipment

In the M-Class, no journey is ever routine. With its spacious and comfortable cabin, low noise levels and first-class entertainment systems, it makes every minute and every mile feel special. What's more, the M-Class takes you places other drivers can only dream of – yet ensures you still arrive feeling refreshed and relaxed.

- Direct Select gear shift lever and steering wheel gear shift paddles fitted as standard on both models
- Permanent four-wheel drive as standard, with AirMATIC Package, Active Curve System or On- & Off-Road Package available as options. (Active Curve System only available for ML350 BlueTEC Sport)
- Keyless-Go (optional)
- Exceptionally low noise levels
- Electric height and backrest angle adjustment for front seats (standard)
- Memory Package (optional): includes full electric adjustment for front seats, steering column and exterior mirrors with memory function, plus electric 4-way lumbar adjustment for front seats
- Luggage capacity of min. 690 and max. 2,010 litres, maximum trailer load of 3,500 kg (ML350 BlueTEC Sport)
- COMAND Online Internet-ready multimedia system with hard drive navigation and high-resolution colour display (optional)
- Automatic climate control (standard), luxury automatic climate control (optional) with separate temperature controls for driver, front seat passenger and rear seat occupants
- Reversing camera (optional)
- Two temperature-controlled cup holders (optional)
- Active Park Assist including Parktronic (standard)

→ www.mercedes-benz.co.uk



Standard equipment

The new M-Class offers outstanding levels of luxury, refinement and versatility. Standard electrically adjustable front seats and automatic climate control ensure you always sit comfortably, while the Direct Steering system takes the strain out of low-speed manoeuvres. Gear changes are similarly effortless, thanks to 7G-Tronic Plus automatic transmission with Direct Select gear shift lever and steering wheel gear shift paddles. Permanent four-wheel drive, Four-Wheel Electronic Traction System (4ETS) and Downhill Speed Regulation provide optimum traction even on slopes or in difficult terrain, while Attention Assist enables the M-Class to recognise tiredness, warning you when it's time to take a break. For enhanced safety and an elegant look, innovative LED tail lights are also fitted as standard. And finally, to help you to your destination, the standard Audio 20 radio/CD with Becker® Map Pilot navigation will show you the way. On arrival, Active Park Assist will not only find you a parking spot, but will also guide you in with ease. And speaking of easy does it – the Easy-Pack powered tailgate can be opened and closed automatically using a switch on the inside of the driver's door.



Aluminium trim underlines the air of quality



The 1/3-2/3 split folding rear seat gives you greater versatility



Attention Assist provides visual and acoustic warnings if it detects signs of tiredness



Audio 20 radio/CD





Automatic climate control



Sports seats in Dinamica/Artico artificial leather upholstery. Only available in Black



New LED tail lights make for a highly distinctive look



Sports steering wheel and sports pedals in stainless steel with rubber studs



Optional extras

Few cars look after their occupants quite as well as an M-Class. In fact, the only way to guarantee even greater levels of safety, comfort and convenience is by tailoring your M-Class with optional extras. With the new COMAND Online multimedia system, for instance, you not only benefit from first-class in-car entertainment, but also from hard drive navigation featuring optimised map graphics, a central 7-inch colour display and enhanced off-road functions. In conjunction with an Internet-ready mobile phone, you can also use it to browse the web and to access online services from Mercedes-Benz. The Memory Package enables up to three sets of positions to be stored for each front seat and head restraint, as well as for the steering column and exterior mirrors, while the Intelligent Light System with bi-xenon headlamps improves visibility in a variety of situations. In addition, there's a wide range of assistants and option packages that can help to make M-Class driving even safer and more enjoyable. They include AirMATIC air suspension, the Lane-Tracking Package, the Active Curve System and the Driving Assistance Package with Active Lane-Keeping Assist and Active Blind Spot Assist.

¹When choosing optional leather upholstery, the interior differs from the standard specification Sport interior. The four-spoke steering wheel, seats and door centre panels are in a different design; the sports pedals are replaced and the 'Mercedes-Benz'-badged floor mats removed. The exception to this is if Black nappa leather (code 801) is selected, in which case the Sport interior remains unchanged



The interior with optional leather upholstery in Almond Beige and optional Brown Open-pore Ash wood trim¹



Intelligent Light System with bi-xenon headlamps



Panoramic glass sunroof



Ambient interior lighting with choice of colours



AirMATIC air suspension and On- & Off-Road Package



Active Blind Spot Assist increases safety during lane changes



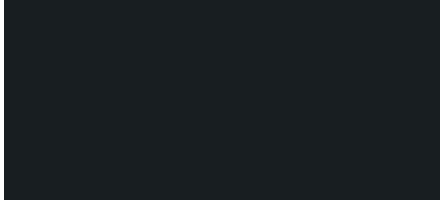
COMAND Online multimedia system with Internet capability

The optional AirMATIC air suspension system with Adaptive Damping System adjusts to changes in surface and driving style, enhancing stability both on- and off-road. In addition, AirMATIC compensates for loads automatically thanks to front and rear self-levelling and lowers the body at speed to improve aerodynamics. It also allows you to switch between sporty and comfort-biased set-ups at the touch of a button.

With the optional On- & Off-Road Package, the settings for the manual shift mode, ride height and transfer case can be adjusted via buttons on the centre console, while an additional rotary switch allows you to choose between six predefined driving modes - including 'off-road', 'sport' and 'snow' - according to the requirements of your journey. In conjunction with the optional COMAND Online system's central display, the package also enables you to view additional vehicle data such as the current traverse angle.



METALLIC PAINT



197 Obsidian Black



359 Tansanite Blue



755 Tenorite Grey



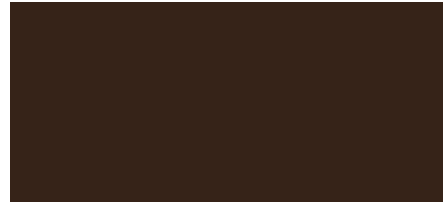
775 Iridium Silver



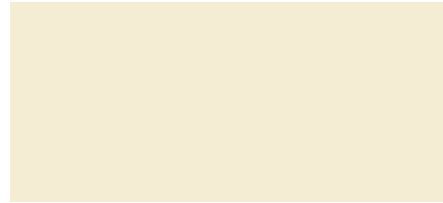
792 Palladium Silver



794 Pearl Beige



796 Citrine Brown



799 Diamond White¹

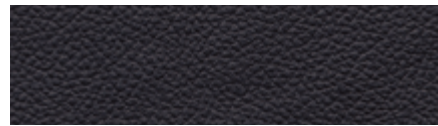
¹Additional-cost option

²When choosing optional leather upholstery, the interior differs from the standard specification Sport interior. The four-spoke steering wheel, seats and door centre panels are in a different design; the sports pedals are replaced and the 'Mercedes-Benz'-badged floor mats removed. The exception to this is if Black nappa leather (code 801) is selected, in which case the Sport interior remains unchanged

BLACK



601 Dinamica/Artico artificial leather



201 Leather^{1,2} | 801 Nappa leather¹



739 Brushed aluminium



734 Brown Eucalyptus wood¹



731 Brown Burr Walnut wood¹



729 Anthracite Poplar wood¹



H09 Brown Open-pore Ash wood¹

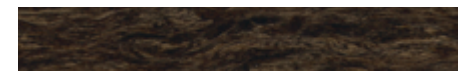
ALPACA GREY



208 Leather^{1,2}



739 Brushed aluminium



734 Brown Eucalyptus wood¹



731 Brown Burr Walnut wood¹



729 Anthracite Poplar wood¹



H09 Brown Open-pore Ash wood¹



ALMOND BEIGE



BLACK/ALPACA GREY



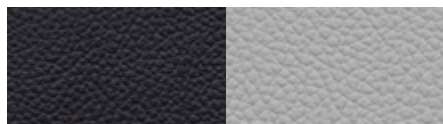
BLACK/ALMOND BEIGE



BLACK/TOBACCO BROWN



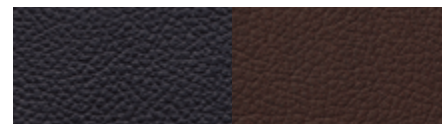
205 Leather^{1,2}



258 Leather^{1,2}



255 Leather^{1,2}



254 Leather^{1,2}



739 Brushed aluminium



739 Brushed aluminium



739 Brushed aluminium



739 Brushed aluminium



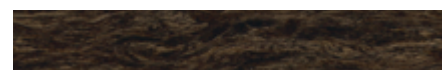
734 Brown Eucalyptus wood¹



734 Brown Eucalyptus wood¹



734 Brown Eucalyptus wood¹



734 Brown Eucalyptus wood¹



731 Brown Burr Walnut wood¹



731 Brown Burr Walnut wood¹



731 Brown Burr Walnut wood¹



731 Brown Burr Walnut wood¹



729 Anthracite Poplar wood¹



729 Anthracite Poplar wood¹



729 Anthracite Poplar wood¹



729 Anthracite Poplar wood¹



H09 Brown Open-pore Ash wood¹



H09 Brown Open-pore Ash wood¹



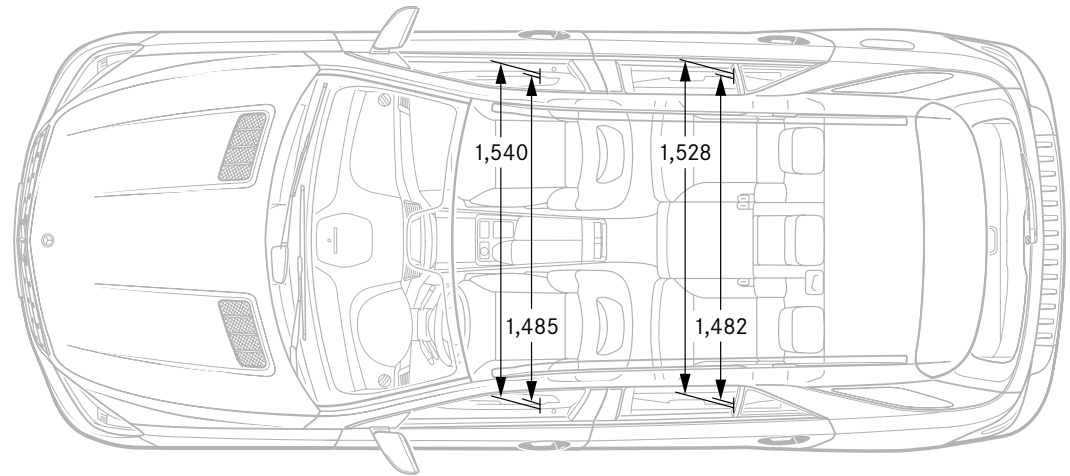
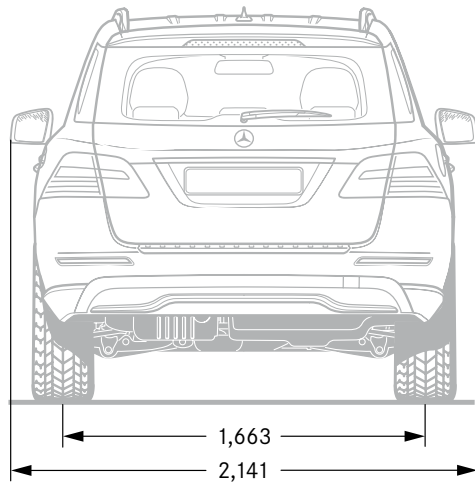
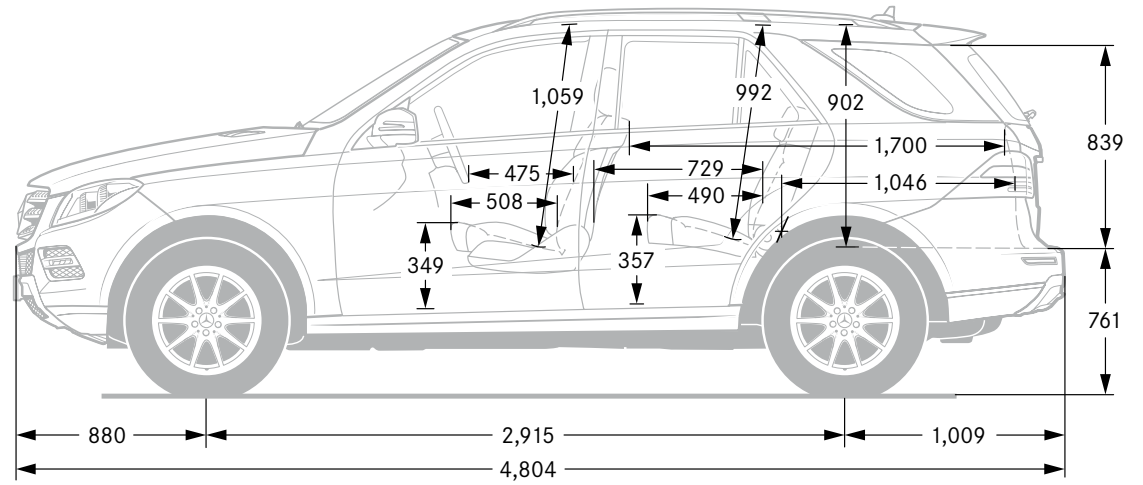
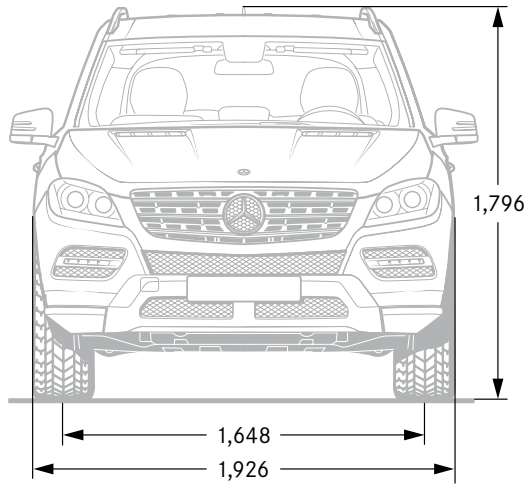
H09 Brown Open-pore Ash wood¹



H09 Brown Open-pore Ash wood¹



Dimensions



All measurements in millimetres. The dimensions shown are mean values and apply to standard-specification, unladen vehicles



Technical data

No. of cylinders/arrangement
Transmission
Total displacement – cc
Rated output ¹ – hp (kW) at rpm
Rated torque ¹ – Nm at rpm
Acceleration 0–62 mph – sec
Top speed approx. – mph
Fuel consumption ² – mpg
Urban
Extra-urban
Combined
CO ₂ emissions, combined ² – g/km
EU emissions standard
Fuel tank capacity/reserve, approx. – l
Boot capacity – l
Max. with 2 seat rows
Max. with 1 seat row
Turning circle – m
Kerb weight ³ /perm. GVW – kg
Towing capacity, braked/unbraked – kg

DIESEL ENGINES

ML 250 BlueTEC Sport	ML 350 BlueTEC Sport
4/in-line	6/V
7G-Tronic Plus	7G-Tronic Plus
2,143	2,987
204 (150)/4,200	258 (190)/3,600
500/1,600–1,800	620/1,600–2,400
9.0	7.4
130	139
38.7	34.4
50.4	42.2
44.8	39.2
165	189
Euro 6	Euro 6
70/11	70/11
690	690
2,010	2,010
11.8	11.8
2,150/2,950	2,175/2,950
2,950/750	3,500/750

¹Figures according to Directive 80/1269/EEC in the currently applicable version ²The figures shown were obtained in accordance with the prescribed measuring process (Directive 80/1268/EEC in the currently applicable version). The figures are not based on an individual vehicle and do not constitute part of the product offer; they are provided solely for purposes of comparison between different vehicle models and are subject to change ³Figures according to Directive 92/21/EC, version 95/48/EC (kerb weight with fuel tank 90% full, driver, 68 kg, and luggage, 7 kg) for standard-specification vehicles. Optional extras and accessories will generally increase this figure and reduce the payload capacity accordingly. For further information, see www.mercedes-benz.co.uk



Take-back of end-of-life vehicles. Coming full circle. At the end of its long life, you can return your M-Class to us for environment-friendly disposal in accordance with the EC End-of-Life Vehicle Directive.¹ But that day lies a long way off.

¹Applies in accordance with national regulations to vehicles up to 3.5 t permissible gross weight. The M-Class has met the statutory regulations governing the suitability of the vehicle's design for reuse and recycling for a number of years now. A network of vehicle take-back depots and dismantlers has been established which will process your vehicle in an environment-friendly manner. The ways in which both vehicles and parts can be recovered are subject to ongoing development and improvement. Consequently, the M-Class will be able to comply with any future increases in the recycling quota within the stipulated time limits. Further information is available at www.mercedes-benz.co.uk or by calling 0808 156 6606.

Please note: this online version of the printed brochure may contain abridged copy or other content changes. The manufacturer reserves the right to make changes to the design, form, colour and specification during the delivery period, provided these changes, while taking into account the interests of the vendor, can be deemed reasonable with respect to the purchaser. Where the vendor or the manufacturer uses symbols or numbers to describe an order or the subject of an order, no rights may be derived solely from these. The illustrations may show accessories and items of optional equipment which are not part of standard specification. Colours may differ slightly from those shown in the brochure, owing to the limitations of the printing process. This brochure has been compiled by Daimler AG of Germany and is distributed internationally. It provides a general indication of the range of models, features, optional extras and/or colours available in various countries. Some of the models, features, optional extras and/or colours shown may not be available in your country or may only be available in a different specification. Additionally some models, features, optional extras and/or colours may only be available in combination with others. For current and more specific information in relation to the range of models, features, optional extras and/or colours available in your country, and their pricing, you should contact your nearest authorised Mercedes-Benz Retailer. E&OE. www.mercedes-benz.co.uk

