

The Golf Cabriolet

Volkswagen Information Service. Telephone 0800 333 666
Internet: www.volkswagen.co.uk
© Volkswagen Group United Kingdom Limited 2012.
Issue: 1 March 2012. Printed in UK.
PVW700CABGOL



Das Auto.

The Golf Cabriolet



OUTSHINES EVEN THE MOST GLORIOUS SUNRISE.

CONTENTS

EXTERIOR | 04

INTERIOR | 08

EQUIPMENT | 14

ALLOY WHEELS | 16

ENGINES AND GEARBOXES | 17

BLUEMOTION TECHNOLOGIES | 20

SAFETY | 22

PAINT | 26

UPHOLSTERY | 28

COMBINATIONS | 29

TECHNICAL SPECIFICATION | 30

TECHNOLOGY | 32

VOLKSWAGEN SERVICE | 34



Model shown is Golf Cabriolet SE with optional Bi-Xenon headlights, front fog lights, leather upholstery and metallic paint.

FROM BEAUTIFUL TO BREATHTAKING IN JUST 9.5 SECONDS.

EXTERIOR

01 | STANDARD | S | SE | GT



Model shown is Golf Cabriolet GT with optional leather upholstery and metallic paint.

01 The **fully automatic electric power hood** with integrated rear glass windscreen opens in just 9.5 seconds when stationary, or even at speeds of up to 18 mph, for added convenience.

02 Optional **Bi-Xenon headlights**, for dipped and main beam, include LED daytime running lights, dynamic curve lighting and automatic range adjustment which compensates for any change in the incline of the body, due to loading, braking or accelerating, ensuring optimum illumination of the road ahead. Headlight washers keep them free from dirt and grime, while a low washer fluid warning light reminds you when you need to add washer fluid.

03 **Rear light clusters** incorporate LED technology for the first time on a Golf Cabriolet, complementing its striking rear design. LEDs not only provide a clear, bright light, but also give a more stylish look to the rear lights.

04 The **twin exhaust tailpipe** add charisma and presence, hinting at the sporting prowess and power beneath the bonnet.

Images shown feature optional metallic paint.



02 | OPTIONAL | SE | GT



03 | STANDARD | S | SE | GT



04 | STANDARD | GT



THE SKY AT YOUR FINGERTIPS.

ENJOY THE MOST STUNNING PLACES IN THE WORLD...

In the **luxurious interior of the GT**, front sports seats with height and lumbar adjustment provide maximum support for the driver and front passenger, while optional 'Vienna' leather* upholstery, aluminium-look pedals, 'Edge' decorative inserts in the dash and door panels, and chrome-plated detailing create a sumptuous interior. Easy entry sliding seats provide access to the rear, while 2Zone electronic climate control with automatic air recirculation ensures a pleasant interior temperature. Thoughtful details such as storage pockets on the rear of front seats, front and rear parking sensors, a rain sensor and automatic dimming interior rear-view mirror enhance comfort and convenience.

* Some parts of leather interior will contain artificial leather.



...IN TOTAL LUXURY AND STYLE.



01 STANDARD | SE | GT OPTIONAL | S

INTERIOR

- 01 The **wind deflector** protects you against air turbulence when the electric power hood is down, enhancing comfort and safety, particularly when driving on the open road.
- 02 The **50:50 split folding rear seat backrest** adds flexibility, creating space if you need to transport bulky items.
- 03 The **front centre armrest** has an integrated storage compartment, ensuring important items are easily to hand, and also features a useful 12V socket, two rear air vents and cup holders.
- 04 Practical **drawers under the front seats** offer additional useful storage space.
- 05 Heated front sports seats upholstered in **'Vienna' leather***, with heated side bolsters and height and lumbar adjustment, create a luxurious interior, with improved sun reflective qualities preventing the seats from heating up in high temperatures.

* Some parts of leather interior will contain artificial leather.



02 STANDARD | S | SE | GT



03 STANDARD | SE | GT OPTIONAL | S



04 OPTIONAL | S | SE | GT

Images shown feature optional 'Vienna' leather upholstery and metallic paint.



05 OPTIONAL | SE | GT



COOL, CALM AND COLLECTED...

...THANKS TO INTELLIGENT TECHNOLOGY.

EQUIPMENT



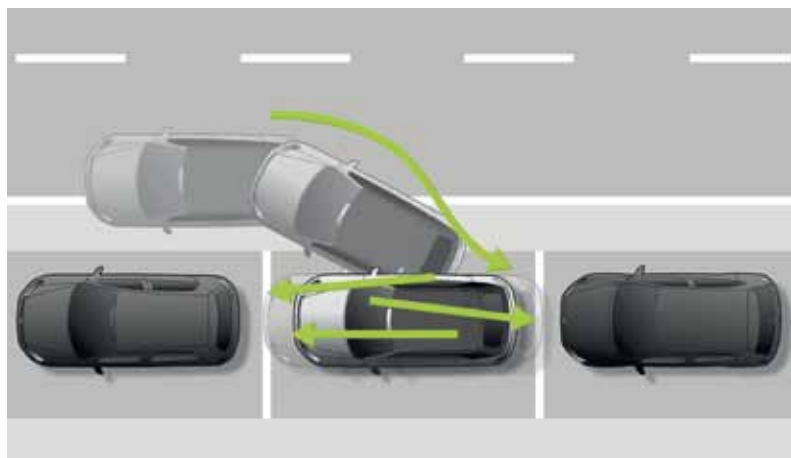
01 STANDARD | SE | GT



02 STANDARD | S | SE | GT



03 STANDARD | SE | GT



04 OPTIONAL | S | SE | GT

- 01 The **2Zone electronic climate control system** with automatic air recirculation features separate temperature controls for both the driver and front passenger, enabling both to adjust the temperature setting according to their individual preference.
- 02 The **RCD 310 radio/MP3 compatible CD player** features six speakers with an output of 4 x 20 watts. It also features an AUX-in socket for connection to an external multimedia source (e.g. iPod or MP3 player).
- 03 At speeds of over 19 mph, **cruise control** keeps your selected speed constant, enabling you to relax on longer journeys, without having to keep an eye on your speedometer.
- 04 **Park Assist with front and rear parking sensors** helps you with bay parking and also parallel parking, into spaces only 0.8 m longer than the vehicle, using ultrasonic and audible sensors and an optical display via the vehicle's audio system. All the driver has to do is operate the clutch, accelerator and brake pedals. **Rear and side scan lane change assist** provides a warning system for lane changing and blind spots, with visual warning via a light in the door mirror housing.
- 05 The stylish **multifunction leather trimmed steering wheel** is fitted with ergonomically designed buttons, making it easy to use your vehicle's audio system and your mobile phone. When specified in conjunction with the DSG gearbox on GT models, the optional paddle shift enables you to change gear without taking your hands off the wheel. Interior shown is SE BlueMotion Technology.



ALLOY WHEELS



01 STANDARD | S



02 STANDARD | SE



03 STANDARD | GT

- 01 'Atlanta'** 6½ x 16 alloy wheels with 205/55 R16 tyres add a contemporary look to the exterior of the Golf Cabriolet S. Please note, S BlueMotion Technology models feature 205/55 R16 low rolling resistance tyres as standard.
- 02 'Porto'** 7J x 17 alloy wheels with 225/45 R17 tyres emphasise the already stylish SE models even further.
- 03 'Charleston'** 7½ x 18 alloy wheels with 225/40 R18 tyres give an individual and sporty look to the exterior of the Golf Cabriolet GT.

ENGINES AND GEARBOXES



01 STANDARD | S | SE | GT

- 01** The **5 or 6 speed manual gearbox** transmits engine power smoothly, with short shift distances enabling you to change gear easily and remain comfortably within the correct rev range.
- 02** **DSG dual-clutch transmission** shifts smoothly and imperceptibly into the next pre-selected gear within a few hundredths of a second, without disrupting traction. This enables you to change gear faster than a manual and more smoothly than a conventional automatic – making dynamic acceleration twice as much fun.
- 03** A combination of direct fuel injection and intelligent turbocharging technology ensures **TSI petrol engines** offer high performance, high torque and reduced fuel consumption.
- 04** **TDI diesel engines**, equipped with common rail technology, combine the advantages of high torque and pulling power with low consumption, minimal emissions and quiet performance, thanks to direct diesel injection.



02 STANDARD | S | SE | GT



03 STANDARD | S | SE | GT



04 STANDARD | S | SE | GT



SOAKING UP THE SUN IS EASY...

Think Blue. BlueMotion Technologies.

BlueMotion Technologies is our contribution to sustainable motoring. This means we offer optimum solutions for every demand, which makes driving more fuel efficient. Lower fuel consumption and lower emission diesel engines allied with BlueMotion Technologies are friendlier to the environment and your wallet, without having to give up everyday practicality and comfort.

We've also designed a range of other energy-saving technologies to work in synergy with our advanced engines and gearboxes. BlueMotion Technologies such as a multifunction computer including visual gear change recommendation for improved fuel consumption, recuperation (battery regeneration during braking) and a Start/Stop function that can cleverly switch the engine off when your vehicle is stationary and in neutral and start it again as you depress the clutch, all combine to aid increased efficiency. A combination of all these refinements means the 1.6 litre TDI 105 PS engine delivers a package that offers outstanding economy and high performance, achieving an impressive 64.2 mpg on the Combined fuel cycle*, and with CO₂ emissions* also reduced to an impressive 117 g/km. If you are looking for more power yet still conscious about the environment, look no further than the 2.0 litre TDI 140 PS. This engine when combined with BlueMotion Technologies achieves an impressive 62.8 mpg on the Combined fuel cycle*, yet only emits 119 g/km of CO₂. When allied with a manual gearbox, Golf Cabriolet BlueMotion Technology models are exempt from VED (Vehicle Excise Duty).

Please see pages 28-29 for CO₂ emissions and fuel consumption figures.



The **Start/Stop function** momentarily switches off the engine when the vehicle is stationary, in neutral and the clutch disengaged. This is notified to the driver with the 'Start Stop' symbol displayed on the multifunction computer (Highline), which then disappears when driving is resumed.



The **multifunction computer (Highline)** provides useful statistics about your journey, such as exterior temperature, average and current fuel consumption, average speed and estimated distance to refuelling. It also includes a visual gear change recommendation for improved fuel consumption.

...AND SO IS SAVING ENERGY.



Externally, **Volkswagen's 'BlueMotion Technology' badging** identifies the cleanest, most energy-efficient cars in our range. So when you see this logo you'll know we're talking about ways to cut emissions and the cost of your motoring.

SAFETY



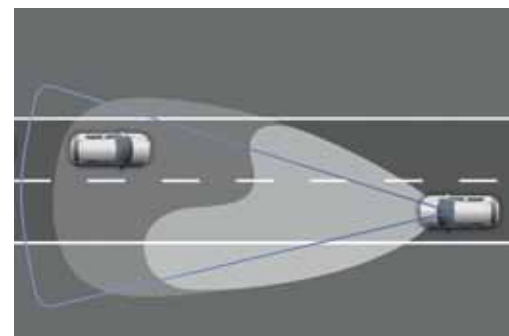
01 STANDARD | SE | GT OPTIONAL | S



02 STANDARD | S | SE | GT



03 STANDARD | S | SE | GT



04 STANDARD | SE | GT



05 STANDARD | S | SE | GT

01 Front and rear parking sensors help you park with the greatest of ease. For added convenience the process is aided by an audible warning, visual display via the radio system's screen and reverse activated kerb-view adjustment on the passenger's door mirror.

02 An alarm with interior protection uses sensors to respond to tampering on the bonnet, doors and boot lid whether the soft top is open or closed.

03 The ESP (Electronic Stabilisation Programme) recognises critical driving situations and reacts in milliseconds by targeting brake and management systems, controlling the speed of individual wheels and helping to bring the vehicle under control.

04 High Beam Assist ingeniously senses the lights from oncoming vehicles and switches between main and dipped beam accordingly. It also senses vehicles you are approaching from the rear and ensures dipped beam is selected in order not to dazzle vehicles in front.

05 The fully integrated active rollover protection system is active whether the soft top roof is open or closed and activates at the slightest hint of a roll or impact. The supporting profiles extend automatically within 0.25 seconds, giving additional protection to occupants.

06 A comprehensive airbag system comprising driver's and front passenger's airbags, with a front passenger's airbag deactivation switch, front seat side impact airbags and also a driver's knee airbag for added protection particularly in the event of a head-on collision.



Image shown is for illustration purposes only and may not necessarily reflect UK specification.



ABLAZE WITH COLOUR.

PAINT



PURE WHITE | **0Q**
NON-METALLIC



DARK PURPLE | **0K**
METALLIC*



GEORGIA BLUE | **5R**
METALLIC*



REFLEX SILVER | **8E**
METALLIC*



TUNGSTEN SILVER | **K5**
METALLIC*



STEEL GREY | **X6**
METALLIC*



NIGHT BLUE | **Z2**
METALLIC*



DEEP BLACK | **2T**
PEARL EFFECT*



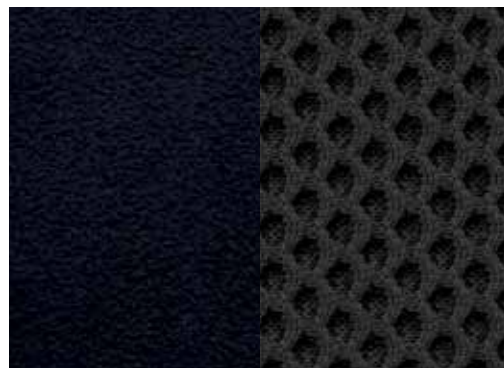
ORYX WHITE | **0R**
PREMIUM PAINT*

Please note: The print processes do not allow exact reproduction of the paint colours.
* Optional at extra cost.

UPHOLSTERY



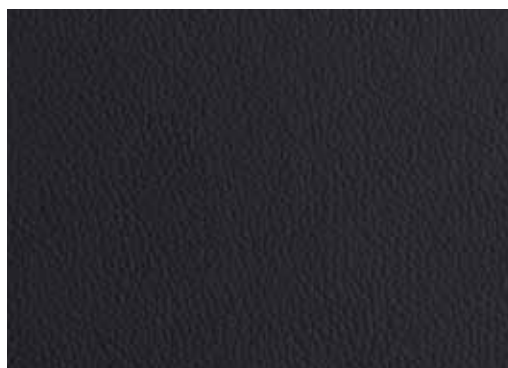
'MERLIN' CLOTH | TITAN BLACK | **UH**
STANDARD | **S | SE**



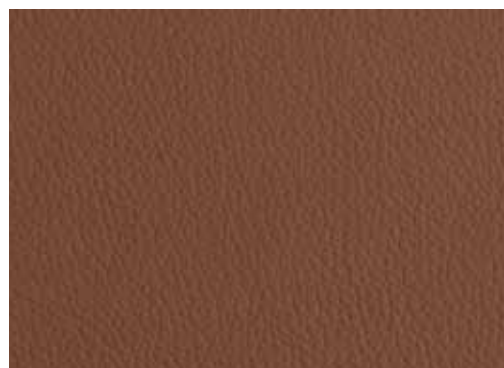
ALCANTARA | TITAN BLACK | **UH**
STANDARD | **GT**



ALCANTARA | TITAN BLACK/RED | **UK**
STANDARD | **GT**



'VIENNA' LEATHER* | BLACK | **LE**
OPTIONAL | **SE | GT**



'VIENNA' LEATHER* | TRUFFLE | **LF**
OPTIONAL | **SE | GT**



'VIENNA' LEATHER* | CERAMIC | **LJ**
OPTIONAL | **SE | GT**



'VIENNA' LEATHER* | RED | **LR**
OPTIONAL | **SE | GT**

Please note: The print processes do not allow exact reproduction of the upholstery colours.
* Optional at extra cost. Some parts of leather interior will contain artificial leather.

COMBINATIONS

Seat upholstery	Carpet	Dashboard	Pure White Non-Metallic 0Q	Dark Purple Metallic* 0K	Georgia Blue Metallic* 5R	Sunset Red Metallic* 6K	Reflex Silver Metallic* 8E	Tungsten Silver Metallic* K5	Steel Grey Metallic* X6	Night Blue Metallic* Z2	Deep Black Pearl Effect* 2T	Oryx White Premium paint* 0R
'Merlin' cloth Standard on S, SE models												
Titan Black (UH)	Black	Black	●	●	●	●	●	●	●	●	●	●
Alcantara Standard on GT models												
Titan Black (UH)	Black	Black	●	●	●	●	●	●	●	●	●	●
Titan Black/Red (UK)	Black	Black	●	–	–	●	●	●	●	●	●	●
'Vienna' leather** Optional on SE, GT models												
Black (LE)	Black	Black	○	○	○	○	○	○	○	○	○	○
Truffle (LF)	Black	Black	○	○	○	–	○	○	○	○	○	○
Ceramic (LJ)	Black	Black	○	○	○	○	○	○	○	○	○	○
Red (LR)	Black	Black	○	–	–	○	○	○	○	○	○	○

* Metallic, pearl effect and premium paints, and leather upholstery are optional at extra cost.
† Some parts of leather interior will contain artificial leather.
● Standard ○ Optional at extra cost – Not available

TECHNICAL SPECIFICATION

	S 1.2 litre TSI 105 PS	S, SE 1.4 litre TSI 122 PS	GT 1.4 litre TSI 160 PS	S, SE 1.6 litre TDI 105 PS BlueMotion Technology	SE, GT 2.0 litre TDI 140 PS BlueMotion Technology
Engine					
Engine type	Four cylinder petrol	Four cylinder petrol	Four cylinder petrol	Four cylinder diesel	Four cylinder diesel
Cubic capacity, ltrs/cc	1.2/1197	1.4/1390	1.4/1390	1.6/1598	2.0/1968
Max. output, PS ⁽⁰¹⁾ /kW	105/77	122/90	160/118	105/77	140/103
at rpm	5000	5000	5800	4400	4200
Max. torque, lbs.ft./Nm	129/175	TBA/TBA	177/240	184/250	TBA/TBA
at rpm	1550-4100	TBA	1500-4500	1500-2500	TBA
Gearbox	Six speed manual	Six speed manual	Six speed manual	Five speed manual	Six speed manual
	–	Seven speed auto DSG	Seven speed auto DSG	–	Six speed auto DSG
Weights, kgs					
Manual gearbox:					
Unladen weight ⁽⁰²⁾	1416	TBA	1484	1501	TBA
Gross vehicle weight	1850	TBA	1920	1920	TBA
Payload ⁽⁰²⁾	509	TBA	511	494	TBA
Axle load limit: Front	960	TBA	1030	1050	TBA
Rear	940	TBA	940	920	TBA
Automatic DSG gearbox:					
Unladen weight ⁽⁰²⁾	–	TBA	1503	–	TBA
Gross vehicle weight	–	TBA	1940	–	TBA
Payload ⁽⁰²⁾	–	TBA	512	–	TBA
Axle load limit: Front	–	TBA	1050	–	TBA
Rear	–	TBA	940	–	TBA
Trailer load limits, kgs ⁽⁰³⁾					
Braked 12% incline:					
Manual gearbox	1200	TBA	1400	1400	TBA
Automatic DSG gearbox	–	TBA	1400	–	TBA
Unbraked:					
Manual gearbox	700	TBA	740	750	TBA
Automatic DSG gearbox	–	TBA	750	–	TBA
Towbar load limit	75	75	75	75	TBA

	S 1.2 litre TSI 105 PS	S, SE 1.4 litre TSI 122 PS	GT 1.4 litre TSI 160 PS	S, SE 1.6 litre TDI 105 PS BlueMotion Technology	SE, GT 2.0 litre TDI 140 PS BlueMotion Technology
Performance					
Top speed, mph (km/h), where the law permits					
Manual gearbox	117 (188)	TBA	134 (216)	117 (188)	TBA
Auto DSG gearbox	–	TBA	134 (216)	–	TBA
Acceleration, secs 0 - 62 mph					
Manual gearbox	11.7	TBA	8.4	12.1	TBA
Auto DSG gearbox	–	TBA	8.4	–	TBA
ABI insurance group, 1 - 50	15E	TBA, TBA	31E	17E, 18E	TBA, TBA
Environmental information					
Fuel grade, minimum	Unleaded, 95 RON	Unleaded, 95 RON	Unleaded, 95 RON	Diesel ⁽⁰⁴⁾	Diesel ⁽⁰⁴⁾
Fuel tank capacity, galls/ltrs	12.1/55	12.1/55	12.1/55	12.1/55	12.1/55
Official fuel consumption, manual gearbox, mpg/ltr per 100 km ⁽⁰⁵⁾					
Urban	38.7/7.3	33.6/8.4	34.0/8.3	54.3/5.2	52.3/5.4
Extra-urban	55.4/5.1	53.3/5.3	52.3/5.4	68.9/4.1	68.9/4.1
Combined	47.9/5.9	44.1/6.4	44.1/6.4	64.2/4.4	62.8/4.5
Official fuel consumption, automatic DSG gearbox, mpg/ltr per 100 km ⁽⁰⁵⁾					
Urban	–	35.3/8.0	36.2/7.8	–	46.3/6.1
Extra-urban	–	52.3/5.4	52.3/5.4	–	62.8/4.5
Combined	–	44.8/6.3	44.8/6.3	–	55.4/5.1
Official CO ₂ emission, g/km					
Manual gearbox ⁽⁰⁶⁾	139	149	150	117	119
Automatic DSG gearbox ⁽⁰⁶⁾	–	147	148	–	134
Emission class	EURO 5	EURO 5	EURO 5	EURO 5	EURO 5
Noise, dB					
Manual gearbox	69.0	TBA	71.0	70.0	TBA
Automatic DSG gearbox	–	TBA	68.0	–	TBA

TECHNOLOGY

Technical specification notes

- 01) The maximum power output figures are quoted in PS (or Pferdestärke, which is the metric equivalent of horsepower). To convert from metric to imperial horsepower, divide the PS figure by 1.0139.
- 02) Figures are calculated in accordance with manufacturer's criteria. The individual unladen weight depends on the specification of the vehicle, this then reduces the possible payload accordingly. The unladen weight and payload both include the fuel tank 90% full, driver (68 kg) and luggage (7 kg) in line with EU directive 95/48.
- 03) With increasing altitude the engine performance diminishes. From 1,000 m above sea level and for every 1,000 m thereafter 10% of the vehicle/trailer weight (trailer weight + gross vehicle weight) must be deducted.
- 04) The use of 100% Biodiesel (RME or FAME) is not possible. Forecourt diesel with up to 7% bio diesel content, adhering to standard BS EN 590, can be used in diesel engines. The use of ethanol in forecourt petrol meeting BS EN 228 is allowable.
- 05) Official fuel consumption according to EU Directive 99/94. The consumption calculation according to 1999/100/EC is based on the actual unladen weight of the vehicle. Additional specifications can lead to a higher weight class and hence to consumption figures of this higher weight class. The driving style, road and traffic conditions, environmental influences and vehicle condition can in practice lead to consumption figures, which may differ from those calculated with this standard.
- 06) The weight of a vehicle will influence the level of CO₂ emission it produces; as a result, vehicles with higher levels of specification and factory-fitted options may emit higher levels of CO₂.

Maximum luggage capacity, litres VDA measuring method using 200 x 100 x 50 mm blocks

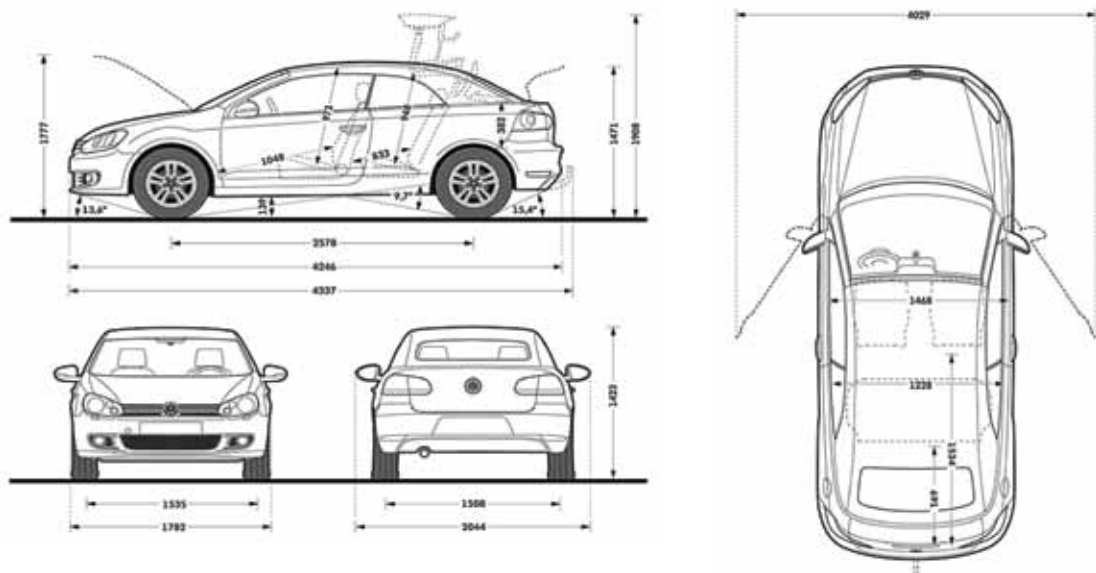
With rear seat upright	250
------------------------	-----

Exterior dimensions

Length, mm	4246
Width – including door mirrors, mm	2044
Width – excluding door mirrors, mm	1782
Height, mm	1423
Height – opened bonnet/floor, mm	1777
Height – roof opening/floor, mm	1908
Height – opened tailgate/floor, mm	1471
Wheelbase, mm	2578
Turning circle, m	10.9

Interior dimensions

Effective headroom, front, mm	971
Effective headroom, rear, mm	948
Legroom, front, mm	1048
Legroom, rear, mm	833
Elbow width, front, mm	1468
Elbow width, rear, mm	1228



Engines

Front transverse-installed engine

1.2 litre/105 PS⁽⁰¹⁾ (77 kW) petrol engine: EU5 compliant four cylinder in-line engine, two valves per cylinder and turbocharger module with electric boost pressure regulation. Die cast aluminium cylinder block, dual circuit cooling system, maintenance-free camshaft drive chain with hydraulic tensioner and oil pump driven via maintenance-free toothed chain. Internally routed crankcase breather system with non-return valve. Three way catalytic converter with lambda control

1.4 litre/122 PS⁽⁰¹⁾ (90 kW) petrol engine: EU5 emissions standard, four cylinder in-line engine with homogeneous mode (Lambda 1), stratified high-pressure start, double injection catalytic converter heating, turbocharger with waste gate, air-to-liquid charge-air cooling, maintenance-free timing chain, plastic intake manifold with integrated intercooler, continuous inlet camshaft timing adjustment, grey cast iron cylinder block, steel crankshaft, duo-centric oil pump, dual-circuit cooling system. Fuel system regulated according to requirements using high-pressure fuel pump with integrated pressure limiting valve

1.4 litre/160 PS⁽⁰¹⁾ (118 kW) petrol engine: EU5 compliant four cylinder in-line engine with homogeneous mode (Lambda 1), stratified high-pressure start, turbocharger with waste gate, additional mechanical supercharger, intercooler and dual-circuit cooling system. Fuel system regulated according to requirements using high pressure fuel pump with integrated pressure limiting valve. Intake manifold flap change-over omitted, regulated duo-centric oil pump, metal cartridge oil filter and three way catalytic converter

1.6 litre/105 PS⁽⁰¹⁾ (77 kW) common rail diesel engine: EU5 emissions standard, four cylinder in-line engine, four valves per cylinder, aluminium-silicon alloy cylinder head, reduced piston crown volume (improves swirl generation in the cylinder), toothed backlash compensator, intake manifold with electric continual tumble flap control, electronically controlled common rail direct injection fuel system with Bosch high pressure pump (up to 1800 bar) and 8-hole piezo injector units, pre-supply electronic fuel pump, oil cooler, intercooler, low temperature exhaust gas recirculation, additional coolant pump, turbocharger with variable turbine geometry, catalytic converter and Diesel Particulate Filter (DPF)

2.0 litre/140 PS⁽⁰¹⁾ (103 kW) common rail diesel engine: EU5 emissions standard, four cylinder in-line engine, four valves per cylinder, aluminium-silicon alloy cylinder head, reduced piston crown volume (improves swirl generation in the cylinder), toothed backlash compensator, intake manifold with electric continual tumble flap control, electronically controlled common rail direct injection fuel system with Bosch high pressure pump (up to 1800 bar) and 8-hole piezo injector units, pre-supply electronic fuel pump, oil cooler, intercooler, low temperature exhaust gas recirculation, additional coolant pump, turbocharger with variable turbine geometry, catalytic converter and Diesel Particulate Filter (DPF)

Brakes

- ABS (Electronically controlled Anti-lock Braking System) with EBD (Electronic Brake-pressure Distribution)
- Diagonal twin-circuit brake system with ventilated front disc brakes and rear disc brakes
- Asbestos-free brake pads

Steering

- Electro-mechanical steering rack
- Collapsible, height and lengthways adjustable safety steering column

Transmission

- Front wheel drive through asbestos-free single-plate dry clutch. Hydraulic clutch-mechanism. Five or six speed manual, six or seven speed automatic DSG gearbox with double joint half axles
- Five speed manual: 1.6 litre TDI 105 PS
- Six speed manual: 1.2 litre TSI 105 PS, 1.4 litre TSI 122 PS, 1.4 litre TSI 160 PS, 2.0 litre TDI 140 PS
- Six speed automatic DSG: 2.0 litre TDI 140 PS
- Seven speed automatic DSG: 1.4 litre TSI 122 PS, 1.4 litre TSI 160 PS

Running gear

- ESP (Electronic Stabilisation Programme) including EDL (Electronic Differential Lock), ASR (Traction Control) and Countersteer Support
- Front suspension through coil springs with telescopic shock absorbers, all elements integrated in chassis legs
- Rear suspension with gas pressure shock absorbers and separate springs
- Wheel control: front through chassis legs and (lower) triangular wishbones (directionally stabilising steering roll radius)
- Wheel control: rear through four-link suspension with independent wheel suspension
- Front and rear anti-roll bar

VOLKSWAGEN SERVICE

The Volkswagen Warranty.

Three-year Warranty.

All Volkswagen Golf Cabriolets come with a three-year/60,000 miles warranty, which protects your car against the failure of most mechanical and electrical components due to manufacturing defects. This comprises a two-year manufacturer's warranty with unlimited mileage plus a further one-year/60,000 miles (whichever is soonest) Retailer Warranty. Should the mileage exceed 60,000 miles within the first two years, the manufacturer's two-year warranty will still be valid. If an additional warranty for subsequent years or higher mileage is desired, it may be purchased from an authorised Volkswagen retailer or repairer; however, this additional warranty must be purchased before the mileage reaches 60,000*. Full details of the three-year warranty are available from your authorised Volkswagen retailer or repairer.

* All warranty work must be completed by an authorised Volkswagen retailer or repairer.

Three-year Paint Warranty.

The paintwork of the Golf Cabriolet is covered against manufacturing defects for a period of three years.

Naturally, the Golf Cabriolet must be cared for in compliance with the operating instructions which will be found in your vehicle handbook. Please consult your authorised Volkswagen retailer or repairer for full warranty details.

12-year Body Protection Warranty.

The internal body sections and panels of the Golf Cabriolet are covered against rusting through from the inside for 12 years. Naturally, the Golf Cabriolet must be cared for in compliance with the operating instructions.

Please consult your authorised Volkswagen retailer or repairer for full warranty details.

Approved Accessories.

A comprehensive range of accessories from alloy wheels to carpet mats is available to complement the factory-fitted option list. Volkswagen approved accessories purchased from and fitted by your authorised Volkswagen retailer at the point of vehicle sale will also benefit from the three-year vehicle warranty.

Extended Warranty.

You may purchase additional protection from your authorised Volkswagen retailer or repairer, or contact 0870 9000 115.

Tax Free Sales.

For full details, please contact your authorised Volkswagen retailer.

Service Intervals.

Volkswagen are pleased to offer you a choice on how your Golf Cabriolet is serviced. The appropriate selection is entirely dependent on how the car is likely to be driven and its general use. To help you identify which type of service would be most suitable, please refer to the following guide.

The Time and Distance Service is recommended for vehicles that will cover less than 10,000 miles in 12 months and if the vehicle is likely to be used in the following way:

- Predominantly urban driving, short journeys with frequent cold starts.
- Activities regularly producing high engine loading, e.g. frequent hill climbs, driving with vehicle fully loaded and towing.
- Uneconomical driving style using high rpms with heavy acceleration and heavy braking.

The service intervals for the Time and Distance Service are as follows:

- Oil change service
Every 10,000 miles/1 year (whichever is soonest).
- Interval service
Every 20,000 miles/2 years (whichever is soonest).
- Inspection service
Every 40,000 miles/3 years (whichever is soonest).

The LongLife Service is recommended for vehicles with a daily mileage of more than 25 miles where the vehicle is driven regularly mainly on longer distance journeys. The vehicle is driven mainly at a constant speed with minimum vehicle and engine loading, minimal towing and driven in an economical manner.

With the LongLife Service the vehicle can cover anywhere between 10,000[†] and a maximum of 18,000[†] miles or 24 months (whichever is soonest) between oil changes. Inspection service is typically in the third year of ownership and thereafter every second year, for vehicles with an approximate annual mileage of 10,000 miles.

[†] Please note that mileages are approximate as the service indicator system uses kilometres as the distance measurement.

Please consult your authorised Volkswagen retailer or repairer for advice and full details.

Volkswagen Insurance[‡].

We want you to start enjoying your new car from day one and thanks to Volkswagen Insurance complimentary seven day cover, you can. Call free on 0800 316 7892 (lines are open Monday to Friday 8 am - 9 pm and Saturday 9 am - 5 pm), provide a few details and a cover note will be sent to your retailer. They will then tax your car and you can drive it away.

Visit www.insurewithvolkswagen.co.uk for details of the full range of insurance products available.

Here you can also get a quote for your annual car insurance and buy it online too. All of our insurance products are designed to ease the pain of making a claim.

[‡] Volkswagen Insurance is a trading name of Volkswagen Insurance Service (Great Britain) Limited,

an appointed representative of Volkswagen Financial Services (UK) Limited, Brunswick Court, Yeomans Drive, Blakelands, Milton Keynes MK14 5LR. Registered in England number 2835230. Volkswagen Insurance is sold, underwritten and administered by Allianz Insurance plc registered in England number 84638. Registered office 57 Ladymead, Guildford, Surrey GU1 1DB. Volkswagen Financial Services (UK) Limited and Allianz Insurance plc are authorised and regulated by the Financial Services Authority. Volkswagen Financial Services (UK) Limited and Allianz Insurance plc are not part of the same corporate group.

Volkswagen Finance[±].

Volkswagen Finance specialises in providing funding solutions for Volkswagen drivers. Whether your Volkswagen is for private or business use, you can choose from a range of funding options.

- Solutions – a personal contract plan
- Hire purchase
- Lease purchase
- Finance lease
- Contract hire

With all Volkswagen Finance products you can choose a fixed-cost maintenance plan to help you budget for your servicing and maintenance costs.

No matter what finance product you choose, your local Volkswagen retailer will be able to provide you with a personalised quote that could meet your budget and vehicle needs.

[±] Volkswagen Finance is a trading name of Volkswagen Financial Services (UK) Limited.

An offer of finance depends on certain conditions. Available to people over 18 in the UK only.

Volkswagen Roadside Assistance.

Every new car is registered for Volkswagen Roadside Assistance for one year. This provides vehicle home and roadside recovery in the unlikely event of a breakdown in the UK and Europe (subject to conditions). Volkswagen Roadside Assistance can also be purchased for subsequent years. For full details, please contact your authorised Volkswagen retailer or repairer.

CO₂ Emissions.

Increased weight of a vehicle, including higher trim levels and the addition of options will have a detrimental influence on the level of fuel consumption and CO₂ emissions produced.

The CO₂ and fuel consumption figures are obtained from tests on a representative vehicle of the type, conducted and approved in accordance with Council Directive 80/1268/EEC as amended by Directive 1999/100/EC (or later) on the approximation of the laws of the member states relating to the carbon dioxide emissions and the fuel consumption of motor vehicles.

Please Note:

Some illustrations in this brochure do not necessarily reflect UK specifications and may not be available.

In particular, controls and some items of equipment are positioned differently for the UK.

The specifications contained in this brochure are for information purposes only and are subject to change. If you require any specific feature, you must consult your authorised Volkswagen retailer who is regularly updated with any change in specification. Please check model availability and full specification details with your authorised Volkswagen retailer prior to ordering.

Note: We would like to advise you that telephone calls to Volkswagen Customer Care may be monitored and recorded as part of our training and quality assurance processes. All our monitoring and recording processes meet OfTel regulations.