



Volkswagen Information Service. Telephone 0800 333 666
Internet: www.volkswagen.co.uk
© Volkswagen Group United Kingdom Limited 2012.
Issue: 1 July 2012. Printed in UK.
PVW675UPFLY



Das Auto.

THE

UP!





THE UP! PLENTY TO SMILE ABOUT!

Introducing Volkswagen's smart city car. Small, nippy and priced to match, yet with the interior space and features of a much larger car, the **up!** gives you plenty to smile about. Its compact size means it's perfect for driving round town, while its sophisticated technology, advanced features and generous proportions provide levels of luxury not previously seen on such a small car. Keep smiling – **small has never looked so good.**



SMALL CAR.
BIG IMPACT.
BIG IMPACT.

At just 3.54 metres long and 1.64 metres wide, the **up!** sets a new precedent in small car design, combining a minimal footprint with exceptional interior space. Stylish side windows, eye-catching alloys and a fully glazed tailgate provide an ultra modern interpretation of the classic Volkswagen design, enhanced by horizontal running lines on the front and smooth finishes to the sides. The result is sleek, contemporary and unmistakably Volkswagen.



Interior shown is **up!** white with optional Sensor pack.



Interior shown is **up!** white with optional 'Leather look' upholstery.

Not only has the **up!** been ergonomically designed to make the most of all available space, it's also been lovingly crafted, using the highest quality materials and finishes. Which means every switch and display is intuitively where you would expect it to be, right at your fingertips, while the interior aesthetics are second to none, from the luxurious upholstery to the stylish steering wheel design. Every aspect has been designed to provide total comfort and practicality. And if that's not enough, a whole range of equipment options enable you to personalise your **up!** still further, to meet your exact requirements.

With more interior space than any other car in its class, the **up!** appears to achieve the impossible – offering a large cabin with more head and leg room than you'd ever think possible. And if you want to add a further dimension of light and space, the optional panoramic sunroof will flood the interior with sunlight and fresh air, creating a wonderfully relaxing interior ambience.

THE MOMENT YOU HEAR YOUR
FAVOURITE SONG ON THE RADIO!



IT IS THOSE
SMALL MOMENTS,
THAT MAKE
A GREAT DAY.

THE MOMENT
YOU FIND
THE PERFECT
PARKING SPACE



THE MOMENT YOU SIT INSIDE!
YOUR NEW CAR FOR THE FIRST TIME!

To make sure you feel completely at home in your **up!**, three different trim levels enable you to choose exactly the finish and equipment that's right for you. And if you're looking for something truly out of the ordinary, the **up!** black or **up!** white special edition models offer even greater levels of luxury and style.

4 WHEELS
3 DOORS
2 ENGINES
1 SMILE
2 WIFE
1 ENGINE?



Take **up!**

The entry level Take **up!** offers a truly impressive level of specification, with many advanced features all fitted as standard. This includes side head/thorax airbags for front passengers, daytime running lights and ABS for optimum safety, body-coloured bumpers and 14 inch steel wheels and full size wheel trims for a real touch of style. Luxuries such as an RCD 215 radio/MP3 compatible CD player with AUX-in socket for connection to an external multimedia source, e.g. iPod and MP3 player, a three-spoke steering wheel and numerous practical storage compartments complete the interior look.



Move **up!**

The Move **up!** is immediately identifiable by its body-coloured door mirrors and door handles, and chrome trimmed halogen headlights. While inside, the 'Black Pearl' upper dashboard, contemporary 'Structure' upholstery and chrome trimmed interior door handles further enhance the passenger compartment. A wealth of features includes manual air conditioning, ESP (Electronic Stabilisation Programme), hill hold function, electric front windows, remote central locking, easy entry sliding seats, height adjustable driver's seat, variable boot floor and 60:40 split folding rear seat backrest.



High **up!**

As its name suggests, the High **up!** offers an exceptional range of advanced features all fitted as standard. Building over the already well equipped Move **up!**, it includes 15 inch 'Spoke' alloy wheels and front fog lights, heated front seats, a 'Maps & More' portable infotainment device and leather trimmed three-spoke steering wheel with 'Gloss Black' insert, gear knob and handbrake grip. It also offers electrically heated and adjustable door mirrors, stylish 'Polka' upholstery, chrome effect detailing throughout the interior and a choice of dashboard colours, with selected exterior colours.

Charismatic and eye-catching, the **up!** black and **up!** white special edition models build on the exceptional specification of the High **up!** to offer the ultimate in style and luxury. Design highlights include 16 inch 'Classic' alloy wheels, chrome trimmed door mirror housings, side strips and fog light surrounds, rear tinted windows and unique logos on the side.



up! black

Dynamic, distinctive and luxurious, the **up!** black features 'Deep Black' pearl effect paint, 16 inch 'Classic Black' alloy wheels, unique 'black' logos and rear tinted windows.

Inside, heated front seats, sumptuous 'Stripes' cloth upholstery and the 'Maps & More' portable infotainment device ensure maximum driving enjoyment. While inside, stylish black carpet mats with white edging, a body-coloured dashboard, leather trimmed three-spoke steering wheel and gear knob, and special **up!** branding further enhance the interior ambience.



up! white

Sporty, clean and modern, the **up!** white features 'Pure White' paint, 16 inch 'Classic White' alloy wheels, rear tinted windows and unique '**up!**' logo adorning the steering wheel.



Tornado Red

Deep Black

Pure White

Night Blue
 Reflex Silver
 Candy White

LARGE SELECTION!
 IN THE SMALLEST AREA!

PAINTS.

A wide range of exterior colours are available, no matter which one you choose, a complex painting process with comprehensive corrosion protection ensures a long-lasting high quality paint finish.

UPHOLSTERY.

In the passenger compartment newly developed integral seats await you. They are available in various designs and colours depending on the trim level.

- 01 'Dots' cloth – Anthracite (JM) | Take up!
- 02 'Structure' cloth – Anthracite (JM/JI) | Move up!
- 03 'Structure' cloth – Black Denim (JS) | Move up!
- 04 'Polka' cloth – Anthracite (JK) | High up!
- 05 'Polka' cloth – Salsa Red/Grey (JT)* | High up!
- 06 'Polka' cloth – Beech/Grey (JV)* | High up!
- 07 'Stripes' cloth – Anthracite (OQ) | up! black | up! white
- 08 'Leather look' upholstery – Anthracite (OO) | Optional – Move up! | High up! | up! black | up! white



* Please note: Interiors specified with 'Polka' cloth in Salsa Red and Beech, feature coloured edging on the front seats only.



Black Pearl/Anthracite | Move up! | High up! | up! black



Black Pearl/Cornsilk | High up!



Pure White/Anthracite | High up! | up! white



Pure White/Cornsilk | High up!



Red/Anthracite | High up!



Red/Cornsilk | High up!



Dark Silver/Anthracite | High up!



Dark Silver/Cornsilk | High up!



Grained Cornsilk/Cornsilk | Move up!

DASHBOARD.

From subtle to vibrant, a selection of different interior dash combinations are available enabling you to make a very personal colour choice, depending on which model you choose.

Interior for Take up! Anthracite/Anthracite not shown.
 'Gloss Black' steering wheel inserts are standard on High up! models.
 'Gloss Black' steering wheel inserts with 'up!' logo are standard on up! black and up! white models.
 'Maps & More' portable infotainment device is standard on High up!, up! black and up! white and is optional on all other models.

COMBINATIONS.

Seat upholstery	Dashboard upper	Dashboard lower, door panels	Candy White B4	Tornado Red G2	Reflex Silver Metallic* 8E	Night Blue Metallic* Z2	Deep Black Pearl Effect* 2T	Pure White 0Q
'Dots' cloth ● Take up!								
Anthracite JM	Anthracite	Anthracite	●	●	●	●	●	-
'Structure' cloth ● Move up!								
Anthracite JM	Black Pearl	Anthracite	●	●	●	●	●	-
Black Denim JS	Grained Cornsilk	Cornsilk	●	●	●	●	●	-
Anthracite JI	Grained Cornsilk	Cornsilk	●	●	●	●	●	-
'Polka' cloth ● High up!								
Anthracite JK	Pure White PD2	Anthracite	-	-	-	●	●	-
	Red PD3	Anthracite	-	●	-	-	-	-
	Dark Silver PD5	Anthracite	●	-	-	●	●	-
	Black Pearl PD1	Anthracite	●	●	●	●	●	-
Beech/Grey JV †	Pure White PD2	Cornsilk	-	-	●	●	-	-
	Dark Silver PD5	Cornsilk	●	-	-	●	●	-
	Black Pearl PD1	Cornsilk	●	-	●	-	●	-
Salsa Red/Grey JT †	Pure White PD2	Cornsilk	-	●	-	-	-	-
	Red PD3	Cornsilk	●	●	-	-	●	-
	Dark Silver PD5	Cornsilk	●	●	-	-	●	-
	Black Pearl PD1	Cornsilk	●	●	-	-	●	-
'Stripes' cloth ● up! black								
Anthracite OQ	Black Pearl PD1	Anthracite	-	-	-	-	●	-
'Stripes' cloth ● up! white								
Anthracite OQ	Pure White PD2	Anthracite	-	-	-	-	-	●

* Optional at extra cost. ● Standard ○ Optional at extra cost - Not available

† Please note: Interiors specified with 'Polka' cloth in Salsa Red and Beech, feature coloured edging on the front seats only.

Seat upholstery	Dashboard upper	Dashboard lower, door panels	Candy White B4	Tornado Red G2	Reflex Silver Metallic* 8E	Night Blue Metallic* Z2	Deep Black Pearl Effect* 2T	Pure White 0Q
'Leather look'* upholstery ○ Move up!								
Anthracite OO	Black Pearl	Anthracite	○	○	○	○	○	-
'Leather look'* upholstery ○ High up!								
Anthracite OO	Pure White PD2	Anthracite	-	-	-	○	○	-
	Red PD3	Anthracite	-	○	-	-	-	-
	Dark Silver PD5	Anthracite	○	-	-	○	○	-
	Black Pearl PD1	Anthracite	○	○	○	○	○	-
'Leather look'* upholstery ○ up! black								
Anthracite OO	Black Pearl PD1	Anthracite	-	-	-	-	○	-
'Leather look'* upholstery ○ up! white								
Anthracite OO	Pure White PD2	Anthracite	-	-	-	-	-	○

* Optional at extra cost. ● Standard ○ Optional at extra cost - Not available

† Please note: Interiors specified with 'Polka' cloth in Salsa Red and Beech, feature coloured edging on the front seats only.

WHEELS.

Whether full size wheel trim or alloy, from 14 to 16 inch, sporty or elegant – every design was created especially for the **up!**



Steel wheels

5J x 14, 165/70 R14 tyres

| Take **up!**



Steel wheels

5J x 14, 165/70 R14 tyres

| Move **up!***



'Spoke' alloy wheels

5½J x 15, 185/55 R15 tyres

| High **up!**



'Classic Black' alloy wheels

6J x 16, 185/50 R16 tyres

| **up!** black



'Classic White' alloy wheels

6J x 16, 185/50 R16 tyres

| **up!** white



'Waffle' alloy wheels

5½J x 15, 185/55 R15 tyres

| Optional – Move **up!**



'Black Spoke High Gloss' alloy wheels

5½J x 15, 185/55 R15 tyres

| Optional – High **up!**



'Classic' alloy wheels

6J x 16, 185/50 R16 tyres

| Optional – High **up!**



'Triangle Black' alloy wheels

6J x 16, 185/50 R16 tyres

| Optional – High **up!** as part of the Sports pack



Alloy shown is 'Classic White'.

* Move **up!** BlueMotion Technology models are fitted with 175/65 R14 low rolling resistance tyres.

OPTIONS.

The **up!** offers the highest levels of comfort and practicality as an everyday occurrence, with such features as heated front seats, air conditioning, cruise control and parking sensors available as standard or optional extras, depending on the model you select. A particular highlight is the **'Maps & More'** portable infotainment device offering a host of advanced functions and information, including voice-activated navigation, CD, radio and Bluetooth telephone functions*, all displayed on a 5 inch colour touch-screen. Optional on Take **up!** and Move **up!** and standard on High **up!**, **up!** black and **up!** white.

* Phones must be Bluetooth HFP (Hands Free Profile) compatible, please contact your authorised Volkswagen retailer for specific phone compatibility.

Think Blue.

Committed to sustainable motoring, Volkswagen has introduced a whole range of energy-saving technologies, encouraging all drivers to Think Blue and be mindful of the planet. In particular, 'Maps & More' has been designed to make a practical contribution to every journey, analysing your journey and advising on a more energy-efficient style of driving.



Vehicle

Important information about your journey, such as engine speed, outside temperature, fuel consumption or manoeuvring space when parking† are all relayed via the 'Maps & More' colour screen.



Media

Thanks to an SD card reader, MP3 playback function and Bluetooth hands free interface, 'Maps & More' enables you to enjoy a whole world of music and in-car entertainment.



Navigation

Preloaded with European navigation data, 'Maps & More' guides you safely and reliably to your destination, ensuring a stress-free, relaxing drive on every journey.



Telephone

Voice-activated Bluetooth hands free telephone connection enables you to communicate safely and comfortably during your journey and even allows you to connect two phones at one time.

† Must be ordered in conjunction with optional Sensor pack to display parking information.



Comfort pack

The Comfort pack for Take **up!** models aims to take some of the stress out of driving with some handy additions and comprises electric front windows, remote central locking, driver's seat height adjustment, two-tone horn, warning 'lights on' buzzer and a parking light. Optional on Take **up!** Standard on all other models.

Driver's assistance pack

The **up!** is the first model in its class to feature the innovative City emergency braking, as part of the Driver's assistance pack. It utilises a laser sensor to observe the traffic in front, and at speeds up to 19 mph, assists the driver to detect critical distance situations in front of the vehicle, thereby reducing the risk of rear-end collisions. The pack is completed by a front passenger's airbag deactivation switch. Optional on all models. On Take **up!** models, this option also includes ESP (Electronic Stabilisation Programme) including EDL (Electronic Differential Lock) and ASR (Traction Control).

Sound pack (not shown)

Four speakers – two front, two rear provide superior acoustics and better all round in-car entertainment. Optional on Move **up!**, High **up!**, **up!** black and **up!** white models.



Sensor pack

Cruise control, multifunction computer and rear parking sensors form the Sensor pack. Ultrasonic and audible rear parking sensors help you park safely in the smallest city spaces by alerting you of vehicles and obstacles in your way. For a more relaxing driving experience, cruise control keeps your selected speed constant at speeds of over 19 mph, enabling you to relax on longer journeys, without having to keep an eye on your speedometer. Optional on Move **up!**, High **up!**, **up!** black and **up!** white models.

Sports pack

'Triangle Black' 6J x 16 alloy wheels with 185/50 R16 tyres and anti-theft wheel bolts form part of the Sports pack, adding even more individuality to your **up!** Also included is sports suspension which will improve handling and give a more responsive drive, while rear tinted windows ensure a pleasant interior temperature, while creating a sporty look to the exterior. Optional on High **up!**

Winter pack

Heated front seats, with two individual preset temperature settings, provides that extra bit of comfort on cold mornings. Electrically heated and adjustable door mirrors and front fog lights allow you to see and be seen better, making your journey safer for you and your passengers. Optional on Move **up!** Standard on High **up!**, **up!** black and **up!** white models.

TECHNICAL SPECIFICATION.

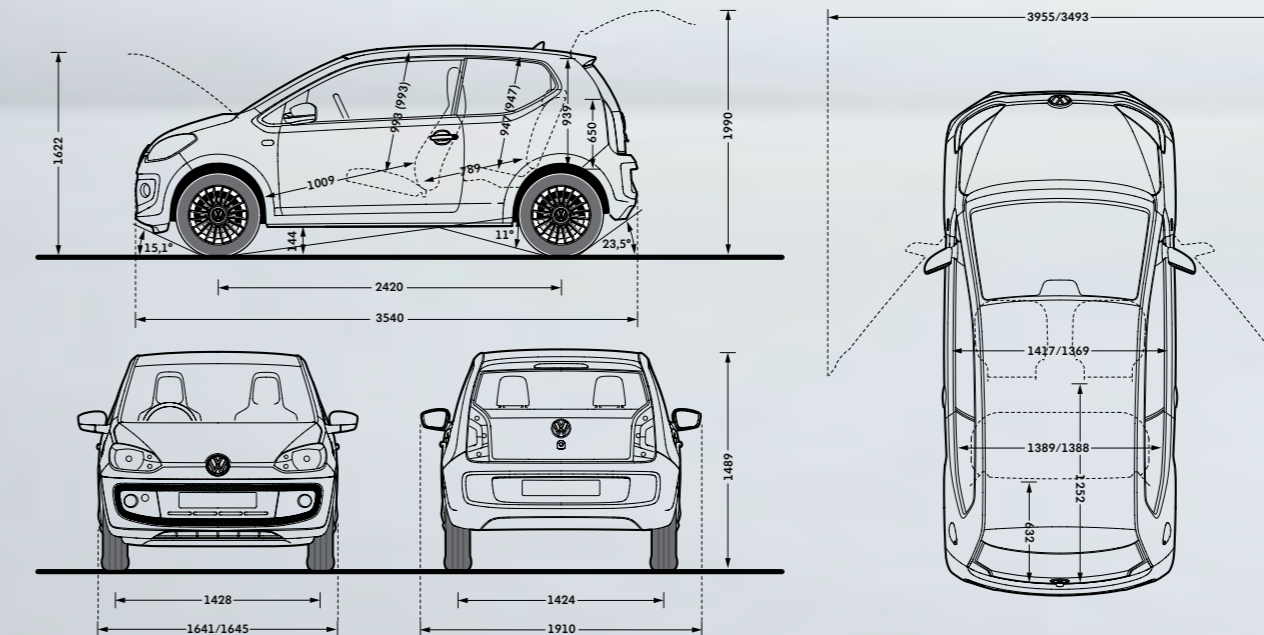
Highly efficient engines achieve exceptional levels of fuel economy and performance in the **up!**, thanks to innovative drive technology. Two compact 1.0 litre three cylinder petrol engines are available with outputs of 60 PS and 75 PS. There are also two BlueMotion Technology variants – the Move **up!**

BlueMotion Technology and the High **up!** BlueMotion Technology, capable of achieving 68.9 mpg and 67.3 mpg respectively on the Combined fuel cycle whilst emitting just 95 g/km and 98 g/km of CO₂, making them both exempt from road tax.

Engine	Take up! Move up!	Move up! BlueMotion Technology	High up! BlueMotion Technology	High up! up! black up! white	
Engine type	1.0 litre 60 PS	1.0 litre 60 PS	1.0 litre 75 PS	1.0 litre 75 PS	
Cubic capacity, ltrs/cc	Three cylinder petrol	Three cylinder petrol	Three cylinder petrol	Three cylinder petrol	
Max. output, PS ¹ /kW at rpm	1.0/999	1.0/999	1.0/999	1.0/999	
Max. torque, lbs.ft/Nm at rpm	60/44 @ 5000-6000	60/44 @ 5000-6000	75/55 @ 6200	75/55 @ 6200	
Gearbox	70/95 @ 3000-4300	70/95 @ 3000-4300	70/95 @ 3000-4300	70/95 @ 3000-4300	
Weights, kgs					
Manual gearbox:	Unladen weight ²	929	940	940	929
	Gross vehicle weight	1290	1290	1290	1290
	Payload ²	436	425	425	436
	Axle load limit: front/rear	680/640	680/640	680/640	680/640
Max. roof load, with roof rails ³	50	50	50	50	
Performance					
Top speed, mph (km/h), where the law permits	99 (160)	100 (161)	106 (172)	106 (171)	
Acceleration, secs 0 - 62 mph	14.4	14.4	13.2	13.2	
ABI insurance group, 1 - 50	1E	1E	2E	2E	
Environmental information					
Fuel grade, minimum	Unleaded, 95 RON	Unleaded, 95 RON	Unleaded, 95 RON	Unleaded, 95 RON	
Fuel tank capacity, galls/ltrs	7.7/35	7.7/35	7.7/35	7.7/35	
Official fuel consumption, manual gearbox, mpg/ltr per 100 km ⁴ :					
	Urban	50.4/5.6	56.5/5.0	55.4/5.1	47.9/5.9
	Extra-urban	72.4/3.9	78.5/3.6	76.3/3.7	70.6/4.0
	Combined	62.8/4.5	68.9/4.1	67.3/4.2	60.1/4.7
Official CO ₂ emission, g/km:	Manual gearbox ⁵	105	95	98	108
Emission class		EURO 5	EURO 5	EURO 5	EURO 5

Technical specification notes

- The maximum power output figures are quoted in PS (or Pferdestärke, which is the metric equivalent of horsepower). To convert from metric to imperial horsepower, divide the PS figure by 1.0139.
- Figures are calculated in accordance with manufacturer's criteria. The individual unladen weight depends on the specification of the vehicle, this then reduces the possible payload accordingly. The unladen weight and payload both include the fuel tank 90% full, driver (68 kg) and luggage (7 kg) in line with EU directive 95/48.
- With increasing altitude the engine performance diminishes. From 1,000 m above sea level and for every 1,000 m thereafter 10% of the vehicle must be deducted.
- Official fuel consumption according to EU Directive 99/94. The consumption calculation according to 1999/100/EC is based on the actual unladen weight of the vehicle. Additional specifications can lead to a higher weight class and hence to consumption figures of this higher weight class. The driving style, road and traffic conditions, environmental influences and vehicle condition can in practice lead to consumption figures, which may differ from those calculated with this standard.
- The weight of a vehicle will influence the level of CO₂ emission it produces; as a result, vehicles with higher levels of specification and factory-fitted options may emit higher levels of CO₂.



On illustrations, where arrows and figures are shown inside of the vehicle, the measurements are for interior dimensions. Where arrows and figures are shown outside of the vehicle, the measurements are for exterior dimensions.

Exterior dimensions

Length, mm	3540
Width – including door mirrors, mm	1910
Width – excluding door mirrors, mm	1641
Width – opened front doors, mm	3955
Height, mm	1489
Height – opened bonnet/floor, mm	1622
Height – opened tailgate/floor, mm	1990
Wheelbase, mm	2420

Interior dimensions

Effective headroom – front, mm (with sunroof)	993 (993)
Effective headroom – rear, mm (with sunroof)	947 (947)
Elbow width – front, mm	1417
Elbow width – rear, mm	1389
Legroom – front, mm	1009
Legroom – rear, mm	789

SMALL IS GREAT!



Model shown is up! white.

VOLKSWAGEN SERVICE.

The Volkswagen Warranty.

Three-year Warranty.

All Volkswagen passenger cars come with a three-year/60,000 miles warranty, which protects your car against the failure of most technical and electrical components due to manufacturing defects. This comprises a two-year manufacturer's warranty with unlimited mileage plus a further one-year/60,000 miles (whichever is soonest) Retailer Warranty*. Should the mileage exceed 60,000 miles within the first two years, the manufacturer's two-year warranty will still be valid. Full details of the three-year warranty are available from your authorised Volkswagen retailer or repairer.

* All warranty work must be completed by an authorised Volkswagen retailer or repairer.

Three-year Paint Warranty.

The paintwork of the **up!** is covered against manufacturing defects for a period of three years. Naturally, the **up!** must be cared for in compliance with the operating instructions which will be found in your vehicle handbook. Please consult your authorised Volkswagen retailer or repairer for full warranty details.

12-year Body Protection Warranty.

The internal body sections and panels of the **up!** are covered against rusting through from the inside for 12 years. Naturally, the **up!** must be cared for in compliance with the operating instructions. Please consult your authorised Volkswagen retailer or repairer for full warranty details.

Approved Accessories.

A comprehensive range of accessories from alloy wheels to carpet mats is available to complement the factory-fitted option list. Volkswagen approved accessories purchased from and fitted by your authorised Volkswagen retailer at the point of vehicle sale will also benefit from the three-year vehicle warranty.

Extended Warranty.

If you order the Volkswagen Extended Warranty as an option when buying your **up!**, then you get the 100% Volkswagen Warranty and you can continue to enjoy comprehensive Volkswagen protection against many unforeseeable repair costs. Designed to your needs, you can purchase an extra one or two year's warranty up to a maximum of five years or 90,000 miles.

Service Intervals.

Service intervals for up! are based on the Volkswagen Time and Distance regime:

- Oil change service Every 10,000[†] miles/1 year (whichever is soonest).
- Interval service Every 20,000[†] miles/2 years (whichever is soonest).
- Inspection service Every 40,000[†] miles/3 years (whichever is soonest) for the first inspection service and then every 40,000[†] miles or two years thereafter (whichever is soonest).

[†] Please note that mileages are approximate as the service indicator system uses kilometres as the distance measurement. Please consult your authorised Volkswagen retailer or repairer for advice and full details.

Volkswagen Insurance[‡].

We want you to start enjoying your new car from day one and thanks to Volkswagen Insurance complimentary seven day cover, you can. Call free on 0800 316 7892 (lines are open Monday to Friday 8 am – 9 pm and Saturday 9 am – 5 pm), provide a few details and a cover note will be sent to your retailer. They will then tax your car and you can drive it away.

Visit www.insurewithvolkswagen.co.uk for details of the full range of insurance products available. Here you can also get a quote for your annual car insurance and buy it online too. All of our insurance products are designed to ease the pain of making a claim.

[‡] Volkswagen Insurance is a trading name of Volkswagen Insurance Service (Great Britain) Limited, an appointed representative of Volkswagen Financial Services (UK) Limited, Brunswick Court, Yeomans Drive, Blakelands, Milton Keynes MK14 5LR. Registered in England number 2835230. Volkswagen Insurance is sold, underwritten and administered by Allianz Insurance plc registered in England number 84638. Registered office 57 Ladymead, Guildford, Surrey GU1 1DB. Volkswagen Financial Services (UK) Limited and Allianz Insurance plc are authorised and regulated by the Financial Services Authority. Volkswagen Financial Services (UK) Limited and Allianz Insurance plc are not part of the same corporate group.

Volkswagen Roadside Assistance.

Every new car is registered for Volkswagen Roadside Assistance for one year. This provides vehicle home and roadside recovery in the unlikely event of a breakdown in the UK and Europe (subject to conditions). Volkswagen Roadside Assistance can also be purchased for subsequent years. For full details, please contact your authorised Volkswagen retailer or repairer.

CO₂ Emissions.

Increased weight of a vehicle, including higher trim levels and the addition of options will have a detrimental influence on the level of fuel consumption and CO₂ emissions produced.

The CO₂ and fuel consumption figures are obtained from tests on a representative vehicle of the type, conducted and approved in accordance with Council Directive 80/1268/EEC as amended by Directive 1999/100/EC (or later) on the approximation of the laws of the member states relating to the carbon dioxide emissions and the fuel consumption of motor vehicles.

Please Note:

Some illustrations in this brochure do not necessarily reflect UK specifications and may not be available. In particular, controls and some items of equipment are positioned differently for the UK.

The specifications contained in this brochure are for information purposes only and are subject to change. If you require any specific feature, you must consult your authorised Volkswagen retailer who is regularly updated with any change in specification. Please check model availability and full specification details with your authorised Volkswagen retailer prior to ordering.

Note: We would like to advise you that telephone calls to Volkswagen Customer Care may be monitored and recorded as part of our training and quality assurance processes. All our monitoring and recording processes meet Ofcom regulations.

VOLKSWAGEN SERVICE
FOR YOUR PEACE OF MIND.
FOR YOUR PEACE OF MIND.
FOR YOUR PEACE OF MIND.