

E-Class

Saloon



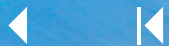
Mercedes-Benz



Meet your personal best:
Success in motion



The eyes light up, your fingertips tingle with excitement: the E-Class Saloon is designed to convince every part of you. The E-Class SE satisfies every demand for comfort and luxury, while the AMG Sport honours its name with athletic styling throughout. Once on the road the real performance begins, full of agility and energy. It's a powerful proposition on all accounts.




Clear your diary:

Monday 0.01 am to Sunday 11.59 pm -
a merger of agility and comfort



It's not just design and axle load distribution that are finely balanced in the E-Class. The comprehensive choice of engines ensures there is something for every driver's needs and ambitions, whether you're drawn to a more sporty driving style or committed to long distance trips. The E-Class is equally adaptable as thrilling.



A high-angle, front-facing view of the Mercedes-Benz E-Class interior. The image shows the steering wheel with the Mercedes-Benz logo, the instrument cluster with a speedometer and tachometer, a central infotainment screen displaying a navigation map, and the center console with climate controls and a gear shifter. The interior is finished with dark aluminum trim and perforated leather seats. The overall lighting is dim, with a blue ambient light effect on the dashboard and a warm orange glow from the center console.

Memo:

The best place to forget the time

Take a seat and you'll instantly feel transported to a special place. The E-Class interior is fitted with a sophisticated dark aluminium trim. COMAND Online system with Media Interface and DAB digital radio tuner add to the unique E-Class experience. Of course, you can choose from a wide range of equipment options to make this saloon truly your own.





For the record:

Transforms tarmac into parquet

Whether you're headed to the opera or the golf course, want to make a great entrance or travel for business, the new E-Class SE is perfectly dressed for every road and every occasion.



Design

In the new E-Class, design goes beyond beauty. It serves a greater purpose: to delight with clarity, comfort and ergonomics. The refined exterior creates an even greater dynamic appeal, especially in the shape of the central Mercedes star and the two-louvre front grille. Also, the prominent side sections make their muscular mark. In the premium interior, the instrument cluster with three recessed dials stands out. Plus a comprehensive range of interior colours allows you to tailor the E-Class exactly to your taste.

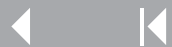
- All-new headlamps, bumper and bonnet with expressive, flowing lines
- Dark aluminium trim (standard)
- Twin-pipe exhaust system with squared, integrated tailpipes in stainless steel (standard)
- New rear tail light design with LED fibre-optic technology (standard)
- Partial LED headlamps - indicators and high-beam are halogen (standard)

Safety

Appropriate protection is a question of advanced technology, and the E-Class offers all the answers. The comprehensive Mercedes-Benz safety concept combines active and passive systems for optimised passenger protection. In the new E-Class Saloon, traditionally high standards have been further improved. The optional Brake Assist (BAS) now has Junction Assist and Active Pedestrian Protection (part of the optional Driving Assistance Package). It can detect potential danger both ahead and from the side. The optional Active Lane-Keeping Assist can identify road markings and potentially dangerous oncoming traffic. Additionally, Adaptive High Beam Assist (part of the optional LED Intelligent Light System) adds to your protection without dazzling others. There is also the standard Collision Prevention Assist, which helps prevent accidents caused when the distance to the car in front is too small.

- Attention Assist, Collision Prevention Assist and Adaptive Brake System (standard)
- Nine airbags (standard)
- LED Intelligent Light System, including high-performance headlamps, Active Light System, cornering light function and Adaptive High Beam Assist (optional)
- Driving Assistance Package, including Active Blind Spot Assist, Active Lane-Keeping Assist, DISTRONIC Plus with Steering Assist, Pre-Safe® Brake with Active Pedestrian Protection, Brake Assist (BAS) with Junction Assist and rear-end collision warning and protection system (Pre-Safe® Plus) (optional)

E-Class Saloon



Comfort

Experience a new class of comfort: the E-Class. Parktronic with Active Park Assist takes the sting out of parking. This standard feature can be further enhanced by choosing the optional 360° camera, which captures the environment and relays a bird's-eye view of potential obstacles to the central display. Or, if you choose the optional reversing camera you'll see moving images displayed with dynamic guide lines for added support. While you'll experience top comfort on every journey thanks to the comprehensive standard equipment, you can always add to your well-being, for example, by choosing optional dynamic multi-contour seats with massage and driving dynamics function.

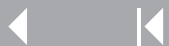
- Parktronic with Active Park Assist, including new functions such as perpendicular parking as well as steering and braking function (standard)
- Direct Steering - speed-sensitive power steering (standard)
- COMAND Online system and Media Interface with hard disk-based navigation and high-resolution colour display (standard)
- DAB digital radio tuner (standard)
- Bluetooth® interface for hands-free telephony (standard)

Environment

At Mercedes-Benz, we believe everyone should do their bit to protect the environment with sustainable actions. That's why our diesel and petrol engines feature the latest-generation efficiency technology to ensure low fuel consumption and reduced emissions without compromising contemporary demand for driving dynamics and performance. As you'd expect, the new E-Class leads the way with a range of innovative solutions and significant improvements. It all serves one purpose: to advance sustainable mobile solutions.

- ECO start/stop function (standard)
- ECO display for monitoring driving-style efficiency (standard)
- Direct Steering with the potential to save fuel based on system-controlled energy demand (standard)
- EU6-compliant BlueTEC diesel engine technology
- E 300 BlueTEC Hybrid combines a 4-cylinder diesel engine with an electric motor: one of the most efficient models in the luxury segment
- Newly-developed 4-cylinder petrol engines with a choice of two power outputs, both EU6-compliant, plus direct injection and turbocharging

→ www.mercedes-benz.co.uk/e-class

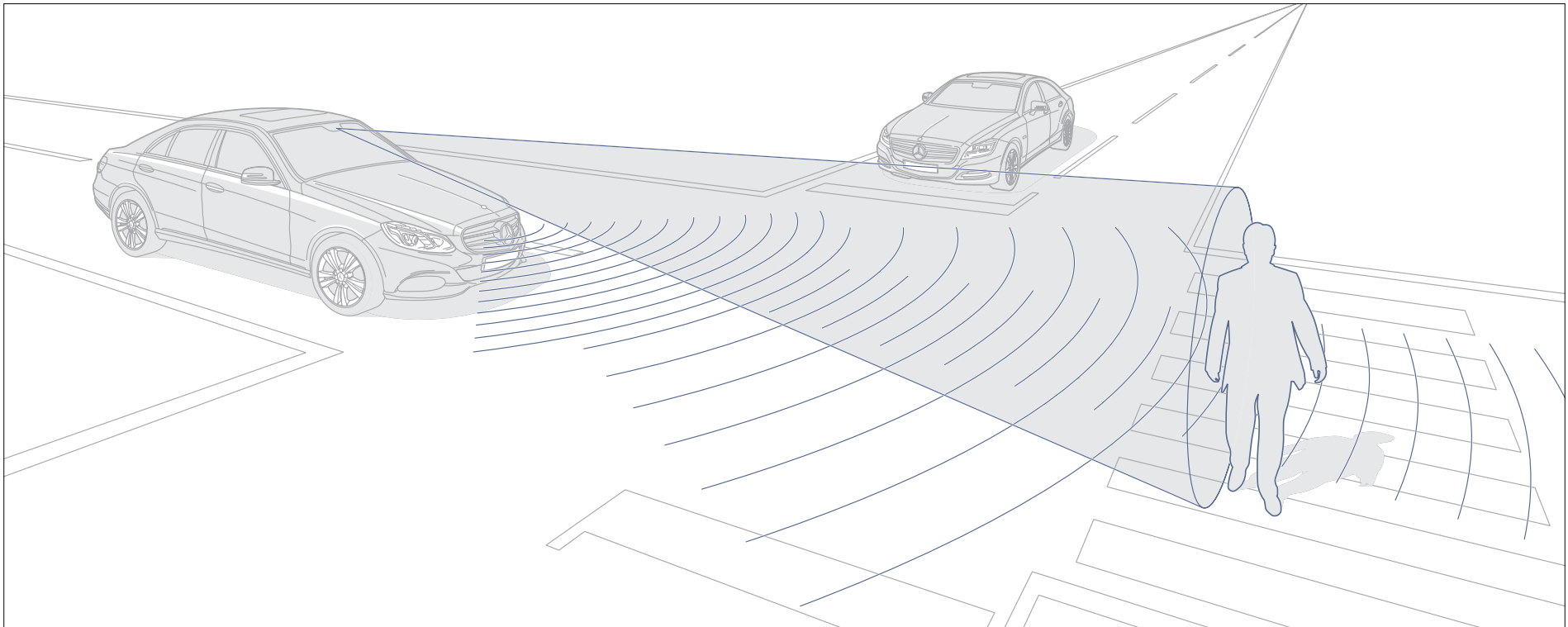


Brake Assist (BAS) with Junction Assist and Active Pedestrian Protection*

Brake Assist (BAS) supports the driver if it detects the risk of a collision by applying the required brake force in an emergency braking situation. The system automatically raises the braking pressure to a level that helps avoid or reduce the severity of an impact.

BAS calculates the required brake force with data supplied by the windscreen camera and radar sensors in the front grille. The new E-Class is the first to combine BAS with a

function to include crossing objects and pedestrians, which improves safety in urban or pedestrian crossing environments. Crossing objects as well as standing or slow-moving pedestrians in front of the car can be detected by the system. It also assists the driver in emergency braking situations up to 45 mph.



BAS with Junction Assist helps improve emergency braking. It detects obstacles in front, and now also to the side of the car, as well as crossing pedestrians

*As part of the optional Driving Assistance Package



Standard equipment

The new E-Class Saloon has all the ingredients to attract attention, starting with an expressive new front grille, a unique profile featuring a reinterpreted silhouette and standard partial LED headlamps. Equally enticing, the interior stands out with a nappa leather-clad multi-function steering wheel, a new instrument cluster with three recessed dials, a centre console housing a classic analogue clock and a central display with flat-screen technology. Premium materials, dark aluminium trim and ambient lighting

plus COMAND Online system with Media Interface and DAB digital radio tuner complete this well-rounded composition. Of course, invisible technology adds another level of sophistication: Direct Steering, Attention Assist, Collision Prevention Assist, Pre-Safe® anticipatory safety system, Neck-Pro head restraints for driver and front passenger, plus nine airbags are also standard.



Partial LED headlamps



Automatic folding and dimming exterior mirrors



LED rear tail lights



COMAND Online system



SE

Elegance and comfort are very much at home in the new E-Class SE. Take the striking front fascia featuring partial LED headlamps, or the 17" 5-twin-spoke alloy wheels, and the well-proportioned rear with LED rear tail lights and twin-pipe exhaust system with squared, integrated tailpipes in stainless steel. Leather upholstery comes with a 3-spoke multi-function steering wheel and gear shift clad in nappa leather combined with dark

aluminium trim. The soothing atmosphere can be further enhanced with automatic climate control, while the DAB digital radio tuner and COMAND Online system with Media Interface provide plenty of information and entertainment. As you'll see, the E-Class SE is serious about your contentment.



Striking SE features: the front fascia with partial LED headlamps and 17" 5-twin-spoke alloy wheels



A welcoming interior: luxurious leather upholstery



LED rear tail lights and twin-pipe exhaust system with squared, integrated tailpipes in stainless steel are standard



Dashboard with dark aluminium trim



AMG Sport

To enhance every inch of its sporty credentials, the E-Class AMG Sport is equipped with exclusive styling and performance features. The exterior strikes a powerful pose with 18" AMG 5-twin-spoke alloy wheels, AMG front and rear aprons, as well as side skirts. Metallic paint, larger front brakes, twin-pipe exhaust system with squared, integrated tailpipes in stainless steel and Direct Control sports suspension also feature as standard.

Inside, a nappa leather-clad AMG 3-spoke steering wheel with a flattened bottom section and AMG floor mats create pure motor racing appeal. Artico¹/Dinamica microfibre upholstery sports seats with light contrast stitching, dark aluminium trim and brushed stainless steel sports pedals with rubber studs complete the dynamic picture.



Must-have AMG Sport features: 18" AMG 5-twin-spoke alloy wheels combined with AMG front and rear aprons



Nappa leather-clad AMG 3-spoke steering wheel with flattened bottom section



For an athletic look and sound: twin-pipe exhaust system with squared, integrated tailpipes in stainless steel



Unique AMG Sport appeal: Artico¹/Dinamica microfibre sports seats with light contrast stitching

¹Artificial leather



Optional equipment

There are plenty of options to tailor the all-new E-Class to your unique taste and requirements, starting with solutions for added safety, including the Driving Assistance Package, featuring Active Lane-Keeping Assist, Active Blind Spot Assist and DISTRONIC PLUS with Steering Assist, Pre-Safe® Brake with Active Pedestrian Protection, Brake Assist (BAS)

with Junction Assist and rear-end collision warning and protection system (Pre-Safe® Plus); or comfort-enhancing solutions like the 360° camera and Speed Limit Assist.



The 360° camera (optional)



The panoramic sunroof creates a bright, inviting environment



The Easy-Pack boot box helps organise miscellaneous items



LED Intelligent Light System features high-performance headlamps



designo

When it comes to exquisite taste, *designo* provides the answer. Perhaps you're looking for unique exterior paints like a metallic or a matt finish, or you would like your E-Class interior to be fitted with exclusive leather on seats, armrests and door panels? Apart from up to eight *designo* single-tone aniline leather upholstery colours to

choose from, there is also a glossy Black Piano Lacquer trim available, as well as roof lining in *designo* Dinamica microfibre to match your favourite interior colour. You'll find further information on everything *designo* has to offer in the price list or go to www.mercedes-benz.co.uk/designo



Roof lining in *designo* Dinamica microfibre



designo Black Piano Lacquer trim (E 63 AMG shown)



SE upholstery

Leather (standard)



Black



211 Black



215 Silk Beige



218 Crystal Grey

Nappa leather (optional)



Crystal Grey



811 Black



815 Silk Beige



818 Crystal Grey



Chestnut Brown



274³ Chestnut Brown



255³ Porcelain



258³ Crystal Grey



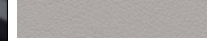
Porcelain



854³ Chestnut Brown



855³ Porcelain



858³ Crystal Grey

SE trim



H79¹ Dark aluminium



736² Black Ash wood



H09² Brown Open-pore Ash wood



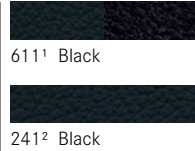
H14² Dark Brown Burr Walnut wood

¹Standard ²Optional ³Upper and lower dashboard in Black ⁴Artificial leather ⁵Not available with sports seats



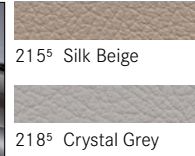
AMG Sport upholstery

Artico⁴/Dinamica microfibre (standard); Leather (optional)



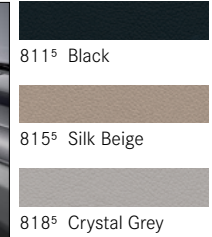
Black

Leather (optional)

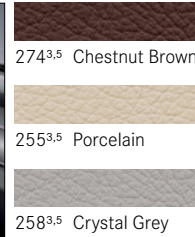


Silk Beige

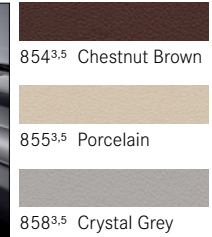
Nappa leather (optional)



Crystal Grey



Chestnut Brown



Porcelain

AMG Sport trim



H79¹ Dark aluminium



H09² Brown Open-pore Ash wood



736² Black Ash wood



H14² Dark Brown Burr Walnut wood

¹Standard ²Optional ³Upper and lower dashboard in Black ⁴Artificial leather ⁵Not available with sports seats



SE (standard) – Non-metallic paints



040 Black¹



149 Polar White²

AMG Sport and E 63 AMG (standard) – Metallic paints³



197 Obsidian Black



585 Covelline Blue



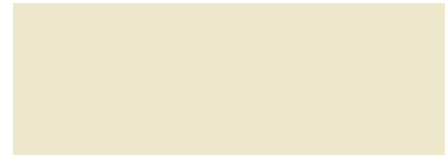
755 Tenorite Grey



775 Iridium Silver



792 Palladium Silver



799 Diamond White⁴



890 Cavansite Blue



988 Diamond Silver

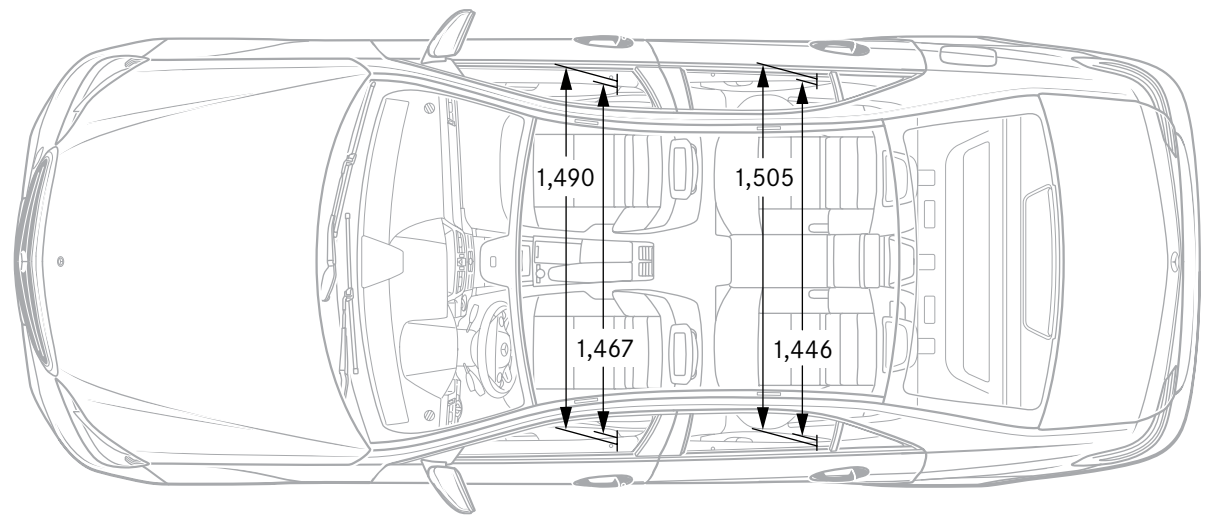
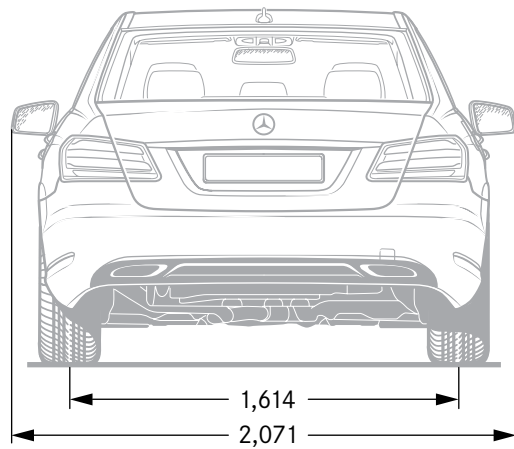
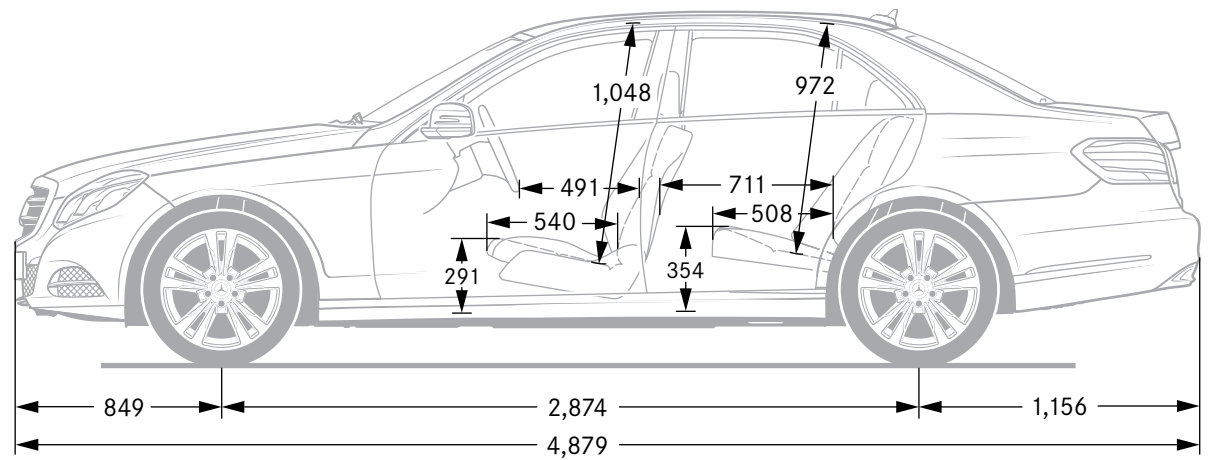
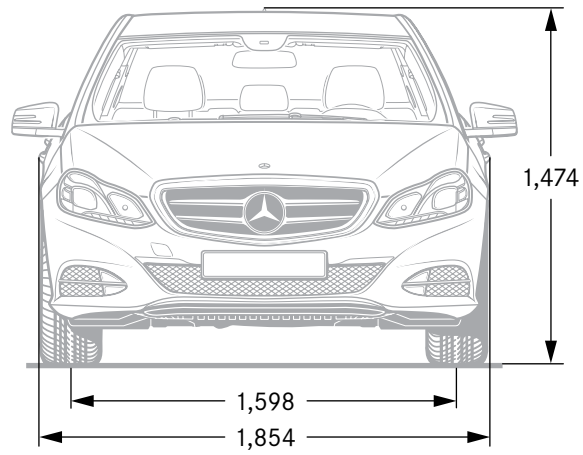


996 Hyacinth Red⁴

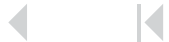
¹Not available on AMG Sport and E 63 AMG ²No cost option on AMG Sport and E 63 AMG ³Optional on SE ⁴Additional-cost option



Dimensions



All measurements in millimetres. The dimensions shown are mean values and apply to standard-specification, unladen vehicles



Technical data

Diesel engines

	E 220 CDI	E 250 CDI	E 350 BlueTEC	E 300 BlueTEC Hybrid
Arrangement/cylinders/valves	in-line/4/16	in-line/4/16	V/6/24	in-line/4/16
Capacity – cm	2,143	2,143	2,987	2,143
Power ¹ – hp (kW) at rpm	170 (125)/3,000–4,200	– [204 (150)/3,800]	– [252 (185)/3,600]	– [204 (150)/4,200 ²]
Torque ¹ – Nm at rpm	400/1,400–2,800	– [500/1,600–1,800]	– [620/1,600–2,400]	– [500/1,600–1,800]
Acceleration 0–62 mph – sec	8.7 [8.4]	– [7.5]	– [6.6]	– [7.5]
Top speed, approx. – mph	142 [141]	– [150]	– [155 ³]	– [150]
Fuel consumption ⁴ – mpg				
Urban	47.9 [48.7]	– [47.9]	– [38.7]	– [68.9]
Extra-urban	68.9 [67.3]	– [65.7]	– [54.3]	– [68.9]
Combined	58.9 [58.9]	– [57.7]	– [47.1]	– [68.9]
CO ₂ emissions, combined – g/km	125 [128]	– [131]	– [157]	– [109]
Emissions class	EU5	EU5	EU6	EU5
Fuel tank capacity/reserve (approx.) – l	59/8	59/8	80/9	59/8
Load capacity – l	540 [540]	– [540]	– [490]	– [505]
Turning circle – m	11.28	11.28	11.28	11.28
Kerb weight ⁵ – kg	1,735 [1,735]	– [1,775]	– [1,885]	– [1,845]
Permissible gross vehicle weight – kg	2,300 [2,300]	– [2,330]	– [2,440]	– [2,430]

¹Figures according to Directive 80/1269/EEC in the current applicable version ²20 kW electric motor ³Electronically limited ⁴The figures shown were obtained in accordance with the prescribed measuring process (Regulation [EC] 715/2007 in the currently applicable version).

The figures are not based on an individual model and do not constitute part of the product offer; they are provided solely for purposes of comparison between different vehicle models

⁵Figures in accordance with Directive 92/21/EC, version 95/48/EC (kerb weight with fuel tank 90% full, driver, 68 kg, and luggage, 7 kg) for standard-specification vehicles. Optional extras and accessories will generally increase this figure and reduce the payload capacity accordingly

Figures in square brackets relate to vehicles with automatic transmission For further technical data, please visit www.mercedes-benz.co.uk

Petrol engines

Arrangement/cylinders/valves

Capacity – cm

Power¹ – hp (kW) at rpmTorque¹ – Nm at rpm

Acceleration – 0–62 mph (sec)

Top speed, approx. – mph

Fuel consumption³ – mpg

Urban

Extra-urban

Combined

CO₂ emissions – g/km

Emissions class

Fuel tank capacity/reserve (approx.) – l

Load capacity – l

Turning circle – m

Kerb weight⁵ – kg

Permissible gross vehicle weight – kg

E 200**E 250****E 63 AMG**

in-line/4/16

in-line/4/16

V/8/32

1,991

1,991

5,461

– [184 (135)/5,500]

– [211 (155)/5,500]

– [557 (410)/5,250–5,750]

– [300/1,200–4,000]

– [350/1,200–4,000]

– [720/1,750–5,000]

– [7.9]

– [7.4]

– [4.2]

– [145]

– [151]

– [155²]

– [37.2]

– [37.2]

– [20.5]

– [57.7]

– [57.7]

– [37.7]

– [47.9]

– [47.9]

– [28.8]

– [138]

– [138]

– [230]

EU6

EU6

EU6

59/8

59/8

80/12

– [540]

– [540]

– [540]

11.28

11.28

11.35

– [1,655]

– [1,680]

– [1,845]

– [2,210]

– [2,245]

– [2,390]

¹Figures according to Directive 80/1269/EEC in the current applicable version ²20 kW electric motor ³Electronically limited ⁴The figures shown were obtained in accordance with the prescribed measuring process (Regulation [EC] 715/2007 in the currently applicable version).

The figures are not based on an individual model and do not constitute part of the product offer; they are provided solely for purposes of comparison between different vehicle models

⁵Figures in accordance with Directive 92/21/EC, version 95/48/EC (kerb weight with fuel tank 90% full, driver, 68 kg, and luggage, 7 kg) for standard-specification vehicles. Optional extras and accessories will generally increase this figure and reduce the payload capacity accordingly

Figures in square brackets relate to vehicles with automatic transmission For further technical data, please visit www.mercedes-benz.co.uk

Take-back of end-of-life vehicles. Coming full circle. At the end of its long life, you can return your E-Class to us for environment-friendly disposal in accordance with the EC End-of-Life Vehicle Directive.¹ But that day lies a long way off.

¹Applies in accordance with national regulations to vehicles up to 3.5 t permissible gross weight. The E-Class has met the statutory regulations governing the suitability of the vehicle's design for reuse and recycling for a number of years now. A network of vehicle take-back depots and dismantlers has been established which will process your vehicle in an environment-friendly manner. The ways in which both vehicles and parts can be recovered are subject to ongoing development and improvement. Consequently, the E-Class will be able to comply with any future increases in the recycling quota within the stipulated time limits. Further information is available at www.mercedes-benz.co.uk or by calling 0808 156 6606.

Please note: this online version of the printed brochure may contain abridged copy or other content changes. The manufacturer reserves the right to make changes to the design, form, colour and specification during the delivery period, provided these changes, while taking into account the interests of the vendor, can be deemed reasonable with respect to the purchaser. Where the vendor or the manufacturer uses symbols or numbers to describe an order or the subject of an order, no rights may be derived solely from these. The illustrations may show accessories and items of optional equipment which are not part of standard specification. Colours may differ slightly from those shown in the brochure, owing to the limitations of the printing process. This brochure has been compiled by Daimler AG of Germany and is distributed internationally. It provides a general indication of the range of models, features, optional extras and/or colours available in various countries. Some of the models, features, optional extras and/or colours shown may not be available in your country or may only be available in a different specification. Additionally some models, features, optional extras and/or colours may only be available in combination with others. For current and more specific information in relation to the range of models, features, optional extras and/or colours available in your country, and their pricing, you should contact your nearest authorised Mercedes-Benz Retailer. E&OE. www.mercedes-benz.co.uk

