

# SLS AMG GT price list

Effective from 1 July 2013



Mercedes-Benz





A lightweight spaceframe.  
A retractable aerofoil. Gullwings.  
Ready for a trip through the heavens?

The fantastical gullwing doors may raise anticipation levels skyward, but everything about the SLS AMG GT is engineered to satisfy the grandest of expectations. Here is a car even more potent than its exhilarating predecessor. Blessed with the most powerful naturally aspirated V8 production engine on Earth, the SLS AMG GT is capable of 0-62 mph in 3.7 seconds. It'll steal your heart in much less.



Standard Equipment



# Model price

Model	Technical data	Transmission	CO <sub>2</sub>	Basic RRP excl. VAT (£)	Total RRP incl. VAT (£)	Road Fund Licence (£) <sup>1</sup>	Rec. OTR price (£) <sup>2</sup>
SLS AMG GT Coupé	Petrol – 6,2087 cc, 8-cylinder, 591 hp/435 kW	AMG Speedshift DCT 7-speed automatic	308	136,079.17	163,295.00	1,065.00	165,030.00

<sup>1</sup>A different first year rate of Vehicle Excise Duty (Road Fund Licence) applies for new cars. Please refer to page 20 for the relevant rate for the second and subsequent years

<sup>2</sup>Recommended on-the-road price: these prices reflect the Road Fund Licence applicable to the standard model plus £645.00 additional costs necessary to put your car on the road.

Included are a standard UK delivery charge (£515.00 incl. VAT), new vehicle registration fee (£55.00), number plates (£25.00 incl. VAT) and fuel (£50.00 incl. VAT). VAT is calculated at the standard rate of 20%



# SLS AMG GT standard features



Red brake calipers



Darkened headlamps



Carbon-fibre wing mirrors



Single-louvre radiator grille



Fins in high-gloss black



Before the SLS AMG GT even moves a muscle, the driver is transported. It's no coincidence that the interior borrows design cues from the world of motorsport – the AMG Ride Control Performance suspension is motorsport proven. AMG sports seats are finished in black *designo* Exclusive leather, with headrests bearing the embossed AMG emblem. The AMG Speedshift dual-clutch transmission includes a pulse-quickening Race Start function.

And the motorsport mood is accentuated by the AMG Performance steering wheel. Clad in black nappa leather/Alcantara® and bound with red contrast stitching, it's detailed with a 12-o'clock mark. In a car that touches such lofty, head-swimming heights, it may just help you to remember which way is up.

#### Exterior

---

19"/20" AMG forged wheels

---

'AMG GT' lettering on boot lid

---

AMG bodystyling – front and rear aprons plus side skirts

---

Brake calipers painted red with 'AMG' lettering

---

Single-louvre radiator grille and side fins in high-gloss black

---

#### Interior

---

AMG emblem in headrests and red seat belts

---

AMG floor mats with red edging

---

AMG Performance steering wheel

---

AMG sports seats – heated, with electric adjustment and Memory Package

---

Bang & Olufsen BeoSound AMG

---



---

Brushed stainless steel sports pedals with black rubber studs

---

COMAND system with 6-disc changer, Media Interface and Bluetooth® for hands-free telephony

---

Luxury automatic climate control

---

#### Paint, Trim and Upholstery

---

197 Obsidian Black metallic

590 Fire Opal non-metallic

775 Iridium Silver metallic



*designo* Exclusive black leather with red contrast stitching



# Standard equipment



AMG Performance steering wheel in nappa leather/Alcantara®



AMG sports seats in black *designo* leather



Headrests with embossed AMG emblem



AMG trim elements in high-gloss black



Air vents in high-gloss black



Bang & Olufsen BeoSound AMG illuminated tweeter lens



**Item****Transmission and Suspension**


---

 AMG Ride Control Performance suspension
 

---



---

 AMG Speedshift DCT 7-speed sports transmission with four modes and Race Start function
 

---



---

 Speedtronic cruise control
 

---

**Exterior**


---

 AMG 19"/20" forged bi-colour alloy wheels in 10-spoke design (4)
 

---



---

 AMG carbon fibre exterior mirrors
 

---



---

 'AMG GT' lettering on boot lid
 

---



---

 AMG sports exhaust system with integrated tailpipes
 

---



---

 AMG trim with '6.3' lettering, painted, on front wings
 

---



---

 Bi-xenon headlamps with headlamp cleaning system and integrated LED daytime running lights
 

---



---

 Brake calipers painted red
 

---



---

 Darkened headlamps, rear lights with black surround
 

---



---

 Fins on bonnet and wings finished in high-gloss black
 

---



---

 Gullwing doors – only 36.3 cm of opening space required
 

---



---

 Parktronic with Parking Guidance
 

---



---

 Radiator blade in high-gloss black
 

---



---

 Retractable rear aerofoil
 

---

**Item****Interior**


---

 Air vents in high-gloss black finish
 

---



---

 AMG Drive Unit with AMG E-Select gear shift lever
 

---



---

 AMG floor mats with red leather edging
 

---



---

 AMG instrument cluster featuring black dials with AMG menu including Racetimer
 

---



---

 AMG nappa leather-trimmed gear shift
 

---



---

 AMG Performance steering wheel in black nappa leather/Alcantara® with 12-o'clock mark, red contrast stitching and silver-coloured aluminium gear shift paddles
 

---



---

 AMG speed-sensitive sports steering
 

---



---

 AMG sports seats with AMG emblem in headrests, including lumbar support and seat heating with memory function
 

---



---

 AMG trim elements in high-gloss black
 

---



---

 Cup holder
 

---



---

 Electric windows (2)
 

---



---

 Keyless-Go
 

---



---

 Luxury automatic climate control  
 Includes digital display and two-zone control
 

---



---

 Outside temperature gauge
 

---



---

 Red seat belts
 

---



---

 Red contrast stitching on door panels, upper and lower dashboard, and centre console
 

---



---

 Steering column – electrically adjustable
 

---



---

 Tirefit tyre-sealant kit with electric pump
 

---





**Item****Paint, Trim and Upholstery**


---

 Metallic paint
 

---



---

*designo* Exclusive black leather upholstery with red contrast stitching
 

---

**Security and Safety**


---

 Adaptive accelerator pedal
 

---



---

 Adaptive brake lights
 

---



---

 Airbags – dual-stage, driver and front passenger
 

---



---

 Airbags – head-thorax sidebags for driver and passenger
 

---



---

 Airbags – kneebags and windowbags for driver and passenger
 

---



---

 Alarm system with immobiliser and interior protection (MBSS3)
 

---



---

 AMG high-performance braking system with 390 × 36 mm composite front brake discs and 360 × 26 mm rear brake discs
 

---



---

 Anti-lock-braking system (ABS) with Brake Assist (BAS) and electro-hydraulic braking system
 

---



---

 Automatic child seat recognition sensor
 

---

Works in conjunction with Mercedes-Benz child seats fitted with transponder

---



---

 Automatically dimming rear-view mirror and driver's exterior mirror
 

---



---

 Electronic Stability Programme (ESP®) with Acceleration Skid Control (ASR)
 

---



---

 Headlamp Assist – automatic headlamp activation
 

---

**Item**


---

 High-level third brake light
 

---



---

 Locking wheel bolts
 

---



---

 Rain-sensing wipers – two-stage
 

---



---

 Remote central locking
 

---



---

 Tyre pressure monitoring system
 

---

**Communications and In-Car Entertainment**


---

 Bang & Olufsen BeoSound AMG
 

---

11 high-performance speakers with twin illuminated tweeter lenses

---



---

 Bluetooth® interface for hands-free telephony
 

---



---

 COMAND system
 

---

Includes 7-inch TFT colour display, DAB digital radio tuner, hard disk drive (HDD) map navigation system with TMC (Traffic Message Channel) and Linguatronic voice control. Also includes SD card slot, 4 GB music register and integrated CD/DVD changer (6-disc) with MP3 compatibility. Region 2 DVDs only

---



---

 Media Interface
 

---

Allows connection and control of portable media devices (e.g. MP3 player, UBS storage media). Cables included for aux-in, USB and iPod® connectivity

---



# A revolution in style

Item	Notes			Basic RRP excl. VAT (£)	Total RRP incl. VAT (£)
<b>Wheels</b> 19"/20" AMG forged alloy wheels (4) – 10-spoke design, bi-colour front: 265/35 R19 tyres rear: 295/30 R 20 tyres			659 ●	-	-
19"/20" AMG alloy wheels (4) – 5-twin-spoke design, painted in Titanium Grey in high-sheen finish front: 265/35 R19 tyres rear: 295/30 R 20 tyres			764 ○		no-cost option
19"/20" AMG forged alloy wheels (4) – 10-spoke design, painted in Titanium Grey with polished finish front: 265/35 R19 tyres rear: 295/30 R 20 tyres			766 ○		no-cost option
19"/20" AMG forged alloy wheels (4) – 10-spoke design, painted in matt black front: 265/35 R19 tyres rear: 295/30 R 20 tyres			767 ○	637.50	765.00

● Standard ○ Optional – Not available



## Optional equipment



Two-tone *designo* Exclusive leather, Titanium Grey Pearl/Porcelain





Single-tone *designo* Exclusive leather, Mocha Brown/Porcelain



Single-tone *designo* Exclusive leather, Mystic Red/Porcelain



Single-tone *designo* Exclusive leather, Titanium Grey Pearl/Porcelain



Two-tone *designo* Exclusive leather, Mocha Brown/Porcelain



Two-tone *designo* Exclusive leather, Mystic Red/Porcelain



Two-tone *designo* Exclusive leather, Titanium Grey Pearl/Porcelain



Item	Notes		Basic RRP excl. VAT (£)	Total RRP incl. VAT (£)
<b>Option Package</b>				
AMG Interior Carbon-Fibre Trim Package Includes AMG carbon-fibre trim (code H73) along with trim panels on seat backrests, sides and door sill panels	Seat elements not included with sports bucket seats (code 244)	31P	5,000.00	<b>6,000.00</b>
<b>Suspension and Exterior</b>				
AMG ceramic high-performance composite brake system		B07	6,783.33	<b>8,140.00</b>
Brake calipers painted in silver		B06	41.67	<b>50.00</b>
Omission of model designation on boot lid		260	<b>no-cost option</b>	
Omission of model designation on wings		261	<b>no-cost option</b>	
Reversing camera		218	283.33	<b>340.00</b>
<b>Paint, Trim and Upholstery</b>				
Paint – AMG Alubeam Silver		047	7,141.67	<b>8,570.00</b>
Paint – AMG Imola Grey		756	1,462.50	<b>1,755.00</b>
Paint – AMG Magno Monza Grey	Magno matt paint finishes require special care. Please ask your Retailer for details	054	2,495.83	<b>2,995.00</b>



Item	Notes		Basic RRP excl. VAT (£)	Total RRP incl. VAT (£)
<b>Paint, Trim and Upholstery (continued)</b>				
Paint – AMG Sepang Brown		491	1,462.50	<b>1,755.00</b>
Paint – <i>designo</i> Magno Allantite Grey	Magno matt paint finishes require special care. Please ask your Retailer for details	044	2,495.83	<b>2,995.00</b>
Paint – <i>designo</i> Mystic White 2		048	2,495.83	<b>2,995.00</b>
Trim – AMG carbon-fibre engine cover		B14	2,854.17	<b>3,425.00</b>
Trim – AMG carbon-fibre trim Includes covers and storage compartments in the centre console and trim strips in the door armrests		H73	2,495.83	<b>2,995.00</b>
Upholstery – single-tone <i>designo</i> Exclusive leather, Classic Red	Removes red seat belts, red edging to floor mats and all interior red contrast stitching	507	<b>no-cost option</b>	
Upholstery – single-tone <i>designo</i> Exclusive leather, Espresso Brown		504		
Upholstery – single-tone <i>designo</i> Exclusive leather, Sand		505		
Upholstery – single-tone <i>designo</i> Exclusive leather, Porcelain		515		
Upholstery – two-tone <i>designo</i> Exclusive leather, Classic Red/Black		557		
Upholstery – two-tone <i>designo</i> Exclusive leather, Espresso Brown/Black		554		
Upholstery – two-tone <i>designo</i> Exclusive leather, Sand/Black		555		
Upholstery – two-tone <i>designo</i> Exclusive leather, Porcelain/Black		565		



Item	Notes		Basic RRP excl. VAT (£)	Total RRP incl. VAT (£)
<b>Paint, Trim and Upholstery (continued)</b>				
<p><i>designo</i> Exclusive Style leather            Alcantara® roof liner in Porcelain            AMG E-Select gear shift lever in chosen colour            AMG floor mats in black with Porcelain leather edging            Lower dashboard, centre console, door armrests and door inserts in Porcelain with topstitching in chosen colour            Parcel shelf, upper dashboard and door waistline in chosen colour with Porcelain top-stitching</p> <p>Single-tone – seats/door panels with diamond-pattern in Porcelain and top-stitching in chosen colour:            Mocha Brown/Porcelain 524            Mystic Red/Porcelain 527            Titanium Grey Pearl/Porcelain 528</p> <p>Two-tone – seats/door panels with diamond-pattern in chosen colour and Porcelain top-stitching:            Mocha Brown/Porcelain 574            Mystic Red/Porcelain 577            Titanium Grey Pearl/Porcelain 578</p>	<p>Not available in conjunction with AMG Performance steering wheel in nappa leather/Alcantara® and AMG sports bucket seats (code 244).            Removes red seat belts, red edging to floor mats and all interior red contrast stitching</p>	P27	4,125.00	<b>4,950.00</b>



Item	Notes		Basic RRP excl. VAT (£)	Total RRP incl. VAT (£)
<b>Comfort</b>				
Garage door opener For questions regarding compatibility please call the Homelink Hotline, Johnson Controls – freephone (0) 0800 046 635 465 – or visit www.homelink.com		231	162.50	195.00
Sports bucket seats – Black	Removes electric adjustment, memories, heating and lumbar support	244	2,358.33	2,830.00
<b>Security and Safety</b>				
Black seat belts	In lieu of standard red seat belts	U17	no-cost option	
Blind Spot Assist Visible warning in exterior mirrors if vehicle is detected in driver's blind spot		234	554.17	665.00
Fire extinguisher		682	83.33	100.00
<b>Communications and In-Car Entertainment</b>				
AMG Performance Media Captures and displays vehicle-specific data as well as race circuit information. Integrated with the COMAND system and information is displayed on the COMAND screen. Also includes high-speed Internet access (Internet-enabled mobile phone required)	Only in conjunction with telephone pre-wiring with hands-free facility (code 386)	256	2,458.33	2,950.00
Telephone pre-wiring with hands-free facility and telephone aerial on roof A separate cradle for your mobile phone needs to be ordered as an accessory from your Retailer	Works in conjunction with the multi-function steering wheel and display. The phone cradle is mounted in the front centre armrest. It is recommended that a compatible handset is sourced prior to ordering a cradle	386	241.67	290.00





# Colours and materials

## Non-metallic paint



590 Fire Opal

## Metallic paints



197 Obsidian Black



775 Iridium Silver

## designo Exclusive Leather



511 Black with red contrast stitching

## Combination options

		Paints		
		197 Obsidian Black	590 Fire Opal	775 Iridium Silver
<b>Leather (standard)</b>				
	Black	●	●	●
<b>Leather (optional)</b>				
	Espresso Brown	●	●	●
	Sand	●	●	●
	Classic Red	●	●	●
	Porcelain	●	●	●
	Espresso Brown/Black	●	●	●
	Sand/Black	●	●	●
	Classic Red/Black	●	●	●
	Porcelain/Black	●	●	●

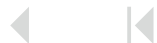
● Recommended ○ Possible

Please note that, owing to limitations of the printing process, paint colours may differ from those shown



# Trim and upholstery combinations

	<i>designo</i> Exclusive leather, single-tone					<i>designo</i> Exclusive leather, two-tone			
	Black (511)	Espresso Brown (504)	Sand (505)	Classic Red (507)	Porcelain (515)	Espresso Brown/Black (554)	Sand/Black (555)	Classic Red/Black (557)	Porcelain/Black (565)
<b>Dashboard</b>									
Steering wheel	Black	Black	Black	Black	Black	Black	Black	Black	Black
Upper dashboard trim	Black	Black	Black	Black	Black	Black	Black	Black	Black
Lower dashboard trim	Black	Espresso Brown	Sand	Classic Red	Porcelain	Espresso Brown	Sand	Classic Red	Porcelain
<b>Seats</b>									
Seat cushion centre section	Black	Espresso Brown	Sand	Classic Red	Porcelain	Black	Black	Black	Black
Side bolster trim	Black	Espresso Brown	Sand	Classic Red	Porcelain	Espresso Brown	Sand	Classic Red	Porcelain
Head restraint	Black	Espresso Brown	Sand	Classic Red	Porcelain	Espresso Brown	Sand	Classic Red	Porcelain
Seat belt	Black	Black	Black	Black	Black	Black	Black	Black	Black
<b>Doors</b>									
Door centre panel	Black	Black	Black	Black	Black	Black	Black	Black	Black
Door lower trim	Black	Espresso Brown	Sand	Classic Red	Porcelain	Espresso Brown	Sand	Classic Red	Porcelain
<b>Roof lining</b>	Anthracite	Anthracite	Anthracite	Anthracite	Anthracite	Anthracite	Anthracite	Anthracite	Anthracite
<b>Parcel shelf</b>	Anthracite	Anthracite	Anthracite	Anthracite	Anthracite	Anthracite	Anthracite	Anthracite	Anthracite
<b>Floor covering</b>									
Front and rear	Black	Black	Black	Black	Black	Black	Black	Black	Black
Boot	Black	Black	Black	Black	Black	Black	Black	Black	Black



# Technical specifications

		Petrol engine
<b>Model</b>	SLS AMG GT Coupé	
<b>Engine</b>		
Capacity	cc	6,208
Arrangement/cylinders/valves	V/8/32	
Fuel delivery	Electronically controlled direct injection	
Power <sup>1</sup>	hp (kW) at rpm	591 (435)/6,800
Torque <sup>1</sup>	Nm at rpm	650/4,750
<b>Transmission</b>		
AMG Speedshift DCT 7-speed sports transmission	●	
<b>Tyre sizes</b>		
Front	265/35 R19	
Rear	295/30 R20	

		Petrol engine
<b>Model</b>	SLS AMG GT Coupé	
<b>Performance</b>		
		auto.
Acceleration 0–62 mph	sec	3.7
Top speed	mph	199
<b>Weights and capacities</b>		
		auto.
Kerb weight <sup>2</sup>	kg	1,695
Perm. GVW	kg	1,935
Boot capacity	l	176
Tank capacity/reserve	l	85/14
Turning circle	m	11.9
<b>Fuel consumption<sup>3,4</sup></b>		
	mpg	auto.
Urban	14.2	
Extra-urban <sup>5</sup>	30.4	
Combined	21.4	

		Petrol engine
<b>Model</b>	SLS AMG GT Coupé	
<b>CO<sub>2</sub> emissions<sup>4</sup></b>		
	g/km	auto.
Emissions standard	EU5	
19"/20" alloy wheels	308	
<b>Insurance</b>		
	auto.	
Group rating	tba	
Insurance ratings may vary depending on specification. Please refer to <a href="http://www.thatcham.org/abigrouprating/">http://www.thatcham.org/abigrouprating/</a> for further details		

● Standard

<sup>1</sup>Figures according to Directive 80/1269/EEC in the currently applicable version

<sup>2</sup>Figures according to Directive 92/21/EC, version 95/48/EC (kerb weight with fuel tank 90% full, driver, 68 kg, and luggage, 7 kg) for standard-specification vehicles

<sup>3</sup>All figures are based on a standard specification with the smallest tyre size

<sup>4</sup>The choice of wheels and transmission may affect CO<sub>2</sub> emissions and corresponding Road Fund Licence

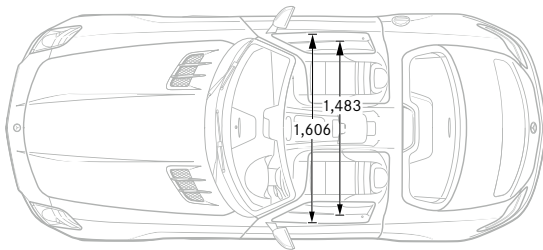
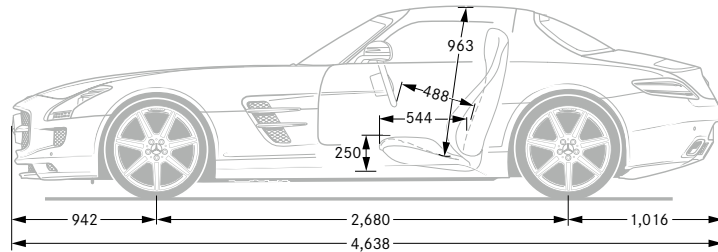
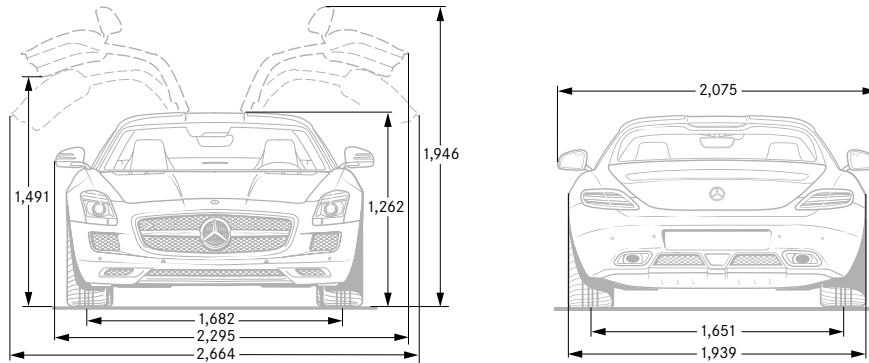
<sup>5</sup>EUDC: extra-urban driving cycle. Testing procedures adhere to EU Directive 93/116

The figures on page 19 are correct at time of going to print.

Please refer to the government website for latest data – <http://www.dft.gov.uk/vca>

All measurements in millimetres. The dimensions shown are mean values and apply to standard-specification, unladen vehicles





## Road Fund Licence

All road vehicle registrations are subject to Vehicle Excise Duty (Road Fund Licence), which varies in accordance with the vehicle's CO<sub>2</sub> emissions. A first year rate of Vehicle Excise Duty applies to new cars on their first year of registration. For the second and subsequent years a standard rate for each taxation band will apply.<sup>1</sup> The table below shows the bands (A-M) created by the DVLA and the corresponding Road Fund Licence. CO<sub>2</sub> emissions are listed in the technical specifications on page 19, and the relevant Excise Duty is reflected in the on-the-road prices on page 4.

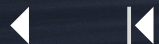
Band	CO <sub>2</sub> emissions	First year rate (£)	Standard rate (£)
A	up to 100 g/km	0.00	0.00
B	101 to 110 g/km	0.00	20.00
C	111 to 120 g/km	0.00	30.00
D	121 to 130 g/km	0.00	105.00
E	131 to 140 g/km	125.00	125.00
F	141 to 150 g/km	140.00	140.00
G	151 to 165 g/km	175.00	175.00
H	166 to 175 g/km	285.00	200.00
I	176 to 185 g/km	335.00	220.00
J	186 to 200 g/km	475.00	260.00
K	201 to 225 g/km	620.00	280.00
L	226 to 255 g/km	840.00	475.00
M	over 255 g/km	1,065.00	490.00

<sup>1</sup>For further information on the above vehicle taxation changes please refer to <https://www.gov.uk/calculate-vehicle-tax-rates>



Hello...over here. Yes, you.

Those voluptuous sportscar proportions may be captivating, but it's worth remembering that this is a beautifully harmonious form in more ways than one – the SLS AMG GT also strikes near-perfect balance. If only you could say the same of your emotions.



Prices effective from 1 July 2013. Information correct at time of publishing.

Prices and specifications are subject to change without prior notice.

MB/C197GTPL/0713

Mercedes-Benz UK Ltd, Tongwell, Milton Keynes, MK15 8BA [www.mercedes-benz.co.uk](http://www.mercedes-benz.co.uk)

