



> View price list



> View offers



> SOUND WITH POWER



> Mercedes-Benz Magazine

# C-Class Saloon



Mercedes-Benz





> View price list



> View offers



> SOUND WITH POWER



> Mercedes-Benz Magazine



## The new C-Class. Back in style

The new C-Class redefines progress with confidence, its sleek shape cutting effortlessly through the air. Make no mistake, the athletic exterior means business: underneath all this eye-catching metal, it's brimming with innovative technology and a highly comprehensive range of equipment. Take Agility Select, which allows you to choose between a variety of driving modes to suit your driving style. Or the intuitive on-board technology featuring a new central display and touchpad control. All this is powered by responsive and highly efficient engines, making the new C-Class not only incredibly CO<sub>2</sub> efficient, but more dynamic and vigorous than ever.





> View price list



> View offers



> SOUND WITH POWER

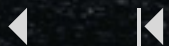


> Mercedes-Benz Magazine

## A safer form of adrenaline rush

You'll love the no-nonsense approach of the new C-Class. Designed to appeal, it's equally constructed to keep you and yours safe. That's why you'll find a wide range of innovative safety systems and electronic assistants on board this captivating saloon. Collision Prevention Assist Plus, for example, can help prevent an accident by warning if the distance to the car in front suddenly decreases, and increases the brake force if required, or initiates the brakes if there is no driver reaction.

The new C-Class also reminds you to take a break if a relaxed mind threatens to become a tired one. Wipers are automatically switched on at the first drops of rain, and automatic parking offers new levels of comfort and safety on the Sport or AMG Line as standard. Or to put it simply, the C-Class takes over where it's pertinent, so you can focus on what matters most: a thoroughly safe and enjoyable journey.





> View price list



> View offers



> SOUND WITH POWER



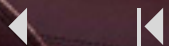
> Mercedes-Benz Magazine



## Room for the senses

The new C-Class takes style to the next level. High quality materials, carefully fitted throughout, create an inspiring atmosphere while advanced technology provides a truly up-to-date edge: take the intuitive touchpad which controls the new central screen, or the optional head-up display. It shows journey information on a virtual colour image projected onto the windscreen right in front of the driver's eyes.

AMG Line interior with optional Premium Plus Package, Black Ash wood trim and leather upholstery





> View price list



> View offers



> SOUND WITH POWER



> Mercedes-Benz Magazine

# A light show that's a lot more than entertainment

This star shines brighter than ever. Standard on the Sport and AMG Line, high-performance headlamps enhance safety at night by illuminating a wide area with a colour similar to daylight for less strain on the eyes. Fitted with longer-lasting LED technology, these lights are also more efficient than ever.





> View price list



> View offers



> SOUND WITH POWER



> Mercedes-Benz Magazine



Feast your eyes





> View price list



> View offers



> SOUND WITH POWER



> Mercedes-Benz Magazine

## SE

A burst of dynamic styling paired with plenty of high-end technology as standard: the new C-Class SE comes with a reversing camera, a multi-touch control touchpad and Agility Select, which allows you to choose between five individual driving modes: Comfort, ECO, Sport, Sport+ and Individual. To match the dynamic exterior, the C-Class SE is fitted with Black Artico man-made leather and high gloss Black trim for a stylish atmosphere inside the cabin. The result is pure driving pleasure.



## Sport

The Sport is fitted with the same high level of equipment as the C-Class SE and more: to emphasise the dynamic appeal, it also has 17" alloy wheels, high-performance LED headlamps and sport styling. Inside the cabin, you're welcomed by sophisticated technology like Parktronic with Active Park Assist and Garmin® Map Pilot navigation system as standard. It features a 7-inch high-resolution colour display which gives 3D views of roads and buildings as well as junction and lane assistants. For your comfort, there are heated front seats with Artico man-made leather upholstery, a high gloss black centre console, and brushed aluminium trim on the door panels and dashboard.





> View price list



> View offers



> SOUND WITH POWER

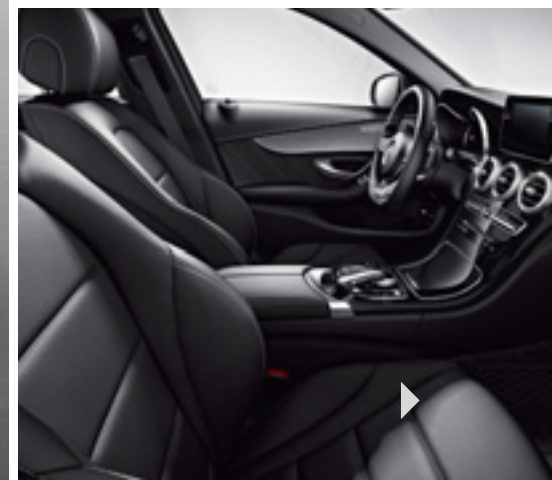


> Mercedes-Benz Magazine

## AMG Line

The AMG Line gives the C-Class an even greater presence with AMG design highlights: you'll notice the AMG bodystyling complete with AMG front and rear aprons, side skirts, plus 18" AMG alloy wheels and visible twin-pipe exhaust trim integrated into the rear bumper. The interior reflects the AMG spirit: here, you'll enjoy AMG sports seats and an upper dashboard fitted with Artico man-made leather and contrast stitching.

The AMG multi-function flat-bottomed steering wheel is designed to add control, while the pedals feature brushed stainless steel and the floor mats carry the AMG signature. For a thoroughly dynamic drive, lowered sports suspension and Sports Direct-Steer system also come as standard on the AMG Line.







> View price list



> View offers



> SOUND WITH POWER



> Mercedes-Benz Magazine

## Executive Package

When it comes to personalising and enhancing your choice of new C-Class, our range of optional equipment packages do just that.

The optional Executive Package is designed exclusively for the SE to let you enjoy each journey that little bit more. It includes the highly sophisticated Garmin® Map Pilot navigation system, heated front seats and split-folding rear seats.

## Premium Package

The optional Premium Package has everything to maximise your well-being on board: it features ambient lighting; the Keyless-Go Comfort Package for effortless entry, starting and exit; fully electrically adjustable front seats, steering column and exterior mirrors with memory function; plus a panoramic glass sunroof to brighten up the cabin.





> View price list



> View offers



> SOUND WITH POWER



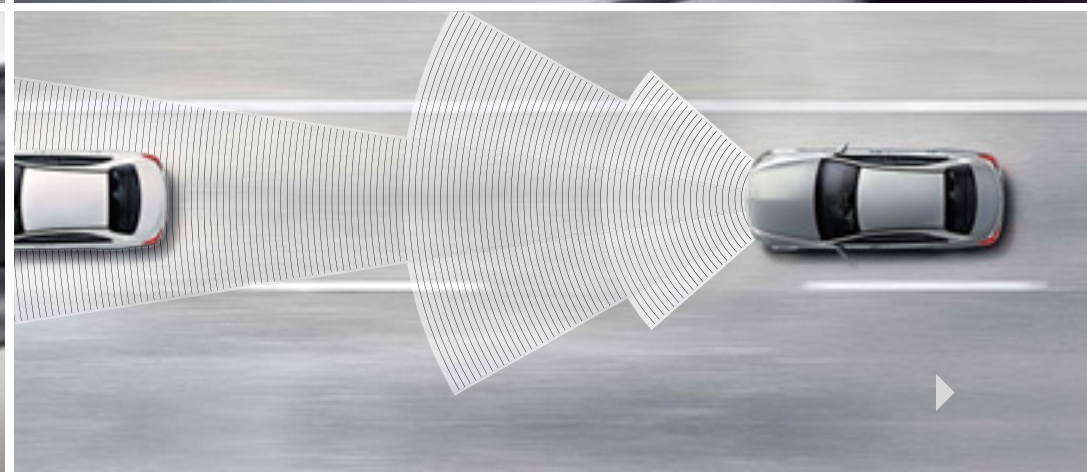
> Mercedes-Benz Magazine

## Premium Plus Package

If you want to increase your comfort and add the best in entertainment to the Sport and AMG Line, then this perfect all-rounder contains the same features as the Premium Package, plus the highly sophisticated Burmester® surround sound system and COMAND Online with an 8.4-inch high-resolution colour display, 3D map navigation and Internet connectivity. The Premium and Premium Plus Packages are exclusively available on the Sport and AMG Line.

## Driving Assistance Package

The optional Driving Assistance Package contains a range of highly intelligent features to help you stay safe on the road – by making the drive more effortless, by warning of danger, and by actively intervening in case of an emergency. It includes Blind Spot Assist, DISTRONIC Plus, Lane-Keeping Assist and Pre-Safe® anticipatory safety system. The Driving Assistance Package is exclusively available on the Sport and AMG Line.





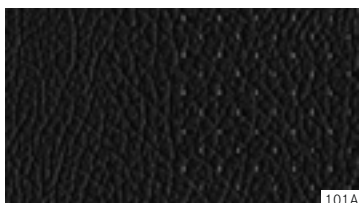
# Upholstery and trim

SE

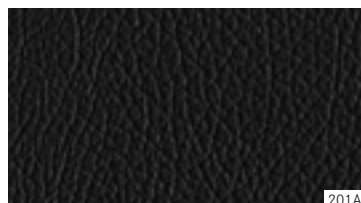


131A

Sport



101A



201A

AMG Line



141A

## Artico man-made leather<sup>1</sup>

- 131A Black
- 101A Black
- 115A Silk Beige
- 118A Crystal Grey
- 141A Black

## Leather<sup>2</sup>

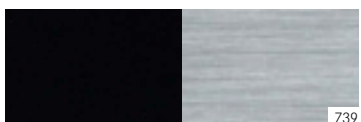
- 201A Black
- 215A Silk Beige
- 218A Crystal Grey
- 251A Black
- 267A Cranberry Red
- 268A Crystal Grey

## Trim

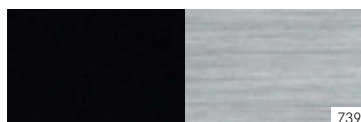
- H80 High gloss Black<sup>3</sup>
- 739 High gloss Black with aluminium door trim<sup>4</sup>
- 731 Burr Walnut wood trim<sup>5,6</sup>
- H07 Fineline Dark Brown wood trim<sup>5</sup>
- 736 Black Ash wood trim<sup>5</sup>



H80



739



739



731



H07



H07



736

<sup>1</sup>Standard  
<sup>2</sup>Optional  
<sup>3</sup>Standard on SE  
<sup>4</sup>Standard on Sport and AMG Line  
<sup>5</sup>All wood trims in conjunction with automatic transmission will feature an analogue clock in the centre console  
<sup>6</sup>Only available with Silk Beige upholsteries (code 115A and 215A)



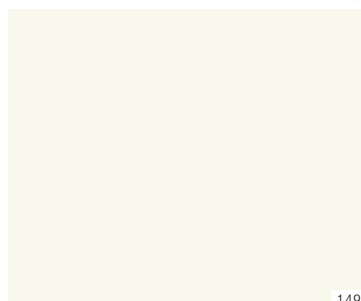


# Paint finishes

Non-metallic paints

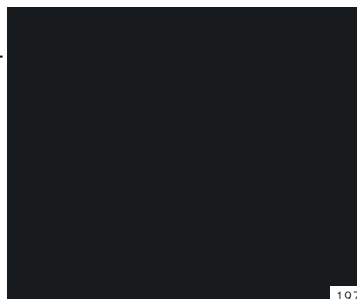


040



149

Metallic paints



197



755

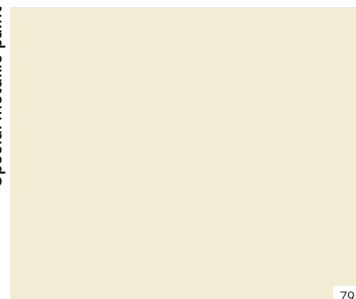


792



890

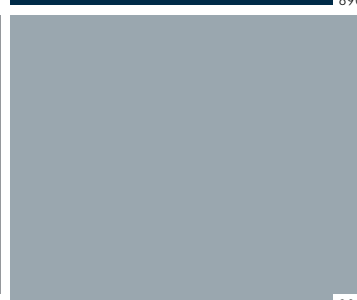
Special metallic paint



799



775



988

## Non-metallic paints<sup>1</sup>

- 040 Black
- 149 Polar White

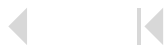
## Metallic paints<sup>2</sup>

- 197 Obsidian Black
- 755 Tenorite Grey
- 775 Iridium Silver
- 792 Palladium Silver
- 890 Cavansite Blue
- 988 Diamond Silver

## Special metallic paint<sup>2</sup>

- 799 *designo* Diamond White

<sup>1</sup>Standard  
<sup>2</sup>Optional





## Technical specifications

	Diesel engines		Petrol engine
	C 220 BlueTEC	C 250 BlueTEC	C 200
Arrangement/cylinders/valves	in-line/4/16	in-line/4/16	in-line/4/16
Total displacement - cc	2,143	2,143	1,991
Rated output <sup>1</sup> - hp (kW) at rpm	170 (125)/3,000-4,200	204 (150)/3,800	184 (135)/5,500
Rated torque <sup>1</sup> - Nm at rpm	400/1,400-2,800	500/1,600-1,800	300/1,200-4,000
Transmission	6-speed manual (7G-Tronic Plus)	7G-Tronic Plus	6-speed manual (7G-Tronic Plus)
Acceleration 0-62 mph - sec (auto.)	7.7 (7.4)	- (6.6)	7.5 (7.3)
Top speed, approx. - mph (auto.)	145 (145)	- (153)	147 (146)
Tyre size	205/60 R16	205/60 R16	205/60 R16
Fuel consumption <sup>2</sup> - mpg (auto.)			
Urban	58.9 (53.3)	- (53.3)	41.5 (41.5)
Extra-urban	83.1 (78.5)	- (78.5)	64.2 (64.2)
Combined	70.6 (65.7)	- (65.7)	53.3 (53.3)
CO <sub>2</sub> emissions, combined <sup>2</sup> - g/km (auto.)	109-103 (117-109)	- (117-109)	132-123 (131-123)
EU emissions standard	EU6	EU6	EU6
Fuel tank capacity/reserve, approx. - l	66/7	66/7	66/7
Boot capacity - l	480	480	480
Turning circle - m	11.22	11.22	11.22
Kerb weight <sup>3</sup> - kg (auto.)	1,550 (1,570)	- (1,595)	1,445 (1,465)
Perm. GVW - kg (auto.)	2,115 (2,135)	- (2,160)	2,010 (2,030)
Length <sup>4</sup> /width incl. mirrors <sup>4</sup> - mm	4,686/2,020	4,686/2,020	4,686/2,020
Wheelbase <sup>4</sup> - mm	2,840	2,840	2,840
Track, front <sup>4</sup> /rear <sup>4</sup> - mm	1,588/1,570	1,588/1,570	1,588/1,570

<sup>1</sup>Figures according to Directive 80/1269/EEC in the currently applicable version <sup>2</sup>The figures shown were obtained in accordance with the prescribed measuring process (Regulation [EC] 715/2007 in the currently applicable version). The figures are not based on an individual model and do not constitute part of the product offer; they are provided solely for purposes of comparison between different vehicle models

<sup>3</sup>Figures according to Directive 92/21/EC, version 95/48/EC (kerb weight with fuel tank 90% full, driver, 68 kg, and luggage, 7 kg) for standard-specification vehicles. Optional extras and accessories will generally increase this figure and reduce the payload capacity accordingly

<sup>4</sup>The dimensions shown are mean values, and apply to unladen vehicles with standard equipment For further technical data, please visit [www.mercedes-benz.co.uk](http://www.mercedes-benz.co.uk)





> View price list



> View offers

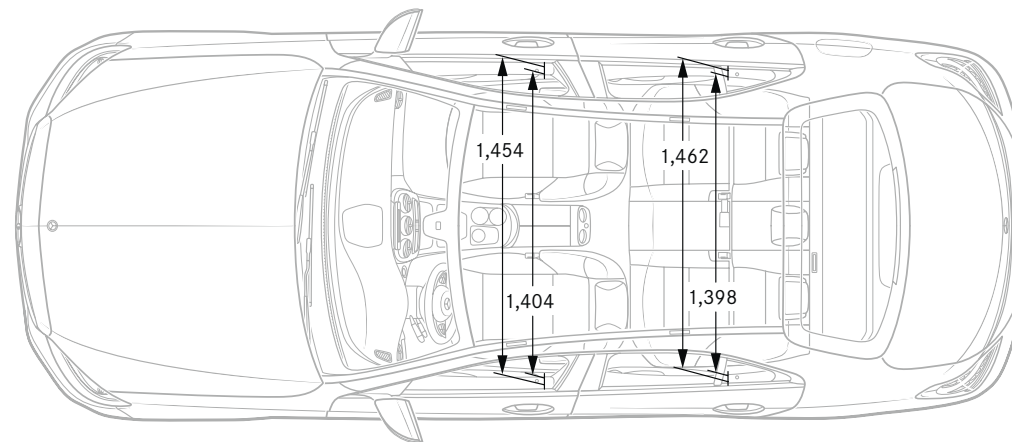
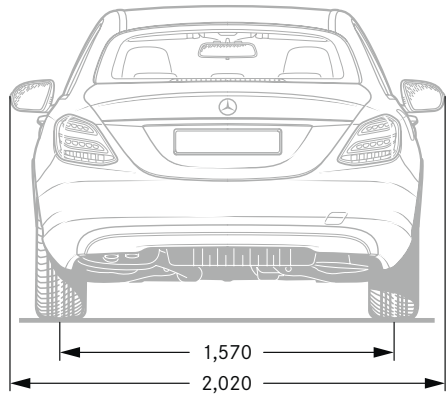
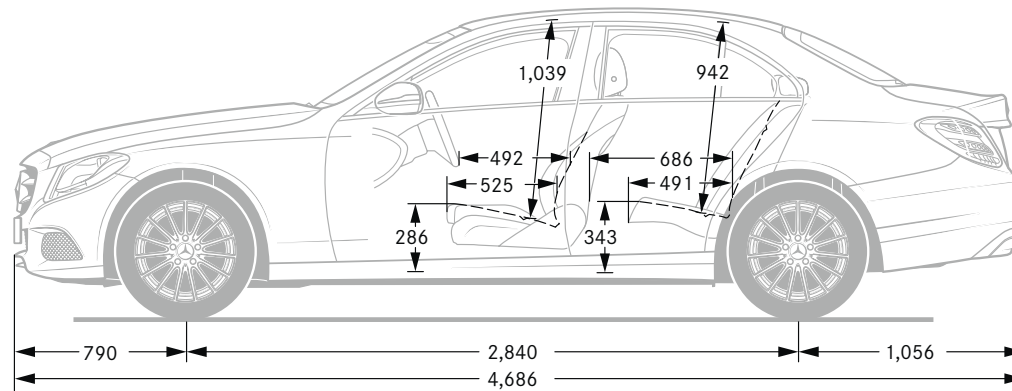
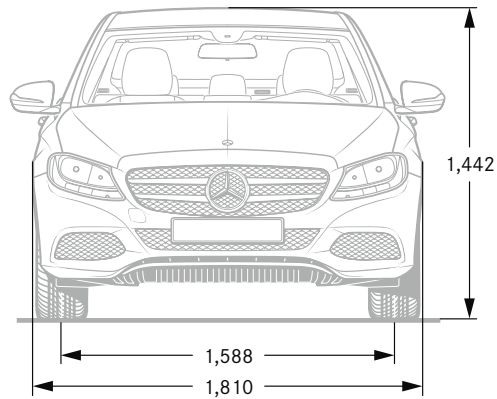


> SOUND WITH POWER

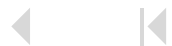


> Mercedes-Benz Magazine

## Dimensions



All measurements in millimetres. The dimensions shown are mean values and apply to standard-specification, unladen vehicles





> View price list



> View offers



> SOUND WITH POWER



> Mercedes-Benz Magazine

**Take-back of end-of-life vehicles. Coming full circle.** At the end of its long life, you can return your C-Class to us for environment-friendly disposal in accordance with the EC End-of-Life Vehicle Directive.<sup>1</sup> But that day lies a long way off.

<sup>1</sup>Applies in accordance with national regulations to vehicles up to 3.5t permissible gross weight. The C-Class has met the statutory regulations governing the suitability of the vehicles' design for reuse and recycling for a number of years now. A network of vehicle take-back depots and dismantlers has been established which will process your vehicle in an environment-friendly manner. The ways in which both vehicles and parts can be recovered are subject to ongoing development and improvement. Consequently, the C-Class will be able to comply with any future increases in the recycling quota within the stipulated time limits. For further information, please go to [www.mercedes-benz.co.uk](http://www.mercedes-benz.co.uk) or call 0808 156 6606.

**Please note:** changes may have been made to the products since this brochure went to press (01.04.2014). The manufacturer reserves the right to make changes to the design, form, colour and specification during the delivery period, provided these changes, while taking into account the interests of the vendor, can be deemed reasonable with respect to the purchaser. Where the vendor or the manufacturer uses symbols or numbers to describe an order or the subject of an order, no rights may be derived solely from these. The illustrations may show accessories and items of optional equipment which are not part of standard specification. Colours may differ slightly from those shown in the brochure, owing to the limitations of the printing process. This brochure has been compiled by Daimler AG of Germany and is distributed internationally. It provides a general indication of the range of models, features, optional extras and/or colours available in various countries. Some of the models, features, optional extras and/or colours shown may not be available in your country or may only be available in a different specification. Additionally some models, features, optional extras and/or colours may only be available in combination with others. For current and more specific information in relation to the range of models, features, optional extras and/or colours available in your country, and their pricing, you should contact your nearest authorised Mercedes-Benz Retailer. E&OE. [www.mercedes-benz.co.uk](http://www.mercedes-benz.co.uk)

