

June 2014



**Commercial
Vehicles**

Crafter





02 Introducing the Crafter

- 04 The power of partnership
- 06 Safety systems
- 08 Engines and gearboxes
- 10 BlueMotion Technology
- 10 BlueMotion panel van
- 12 Cab comfort



14 The right vehicle for the job

- 16 Crafter panel van
- 20 Crafter window van
- 24 Crafter chassis and double cab



28 Engineered to go™

- 30 Engineered for you™



32 Paint finishes

- 33 Upholstery
- 33 Alloy wheels, audio and communications



34 Engine data

- 35 Economy and performance
- 36 Dimensions
- 40 Weights



42 Service and warranties



**Introducing the Crafter.
Built for the toughest jobs.**

The Crafter is the largest member of the Volkswagen Commercial Vehicles range and features chunky and purposeful looks that only partially reveal its underlying strength. With a wide choice of panel vans, window vans, chassis and double cabs – not to mention our off-the-shelf Engineered to go™ and tailored Engineered for you™ solutions, you'll find that whatever your load carrying requirements, there's a model in the Crafter range that will do the job.

The power of partnership.



Everything for the job... and the journey.

The right van.

We're commercial vehicle experts and finding the right van for your business is what makes us tick. We'll guide you through the range, take you on a test drive and cover all the options.

The right accessories.

From mudflaps to sat navs, plying to roof racks, we'll work with you to create the perfect van – keeping everything 100% Volkswagen to preserve its class-leading residuals.

The right finance.

Every business is different, so we stay flexible, with a range of finance packages to choose from. Depending on your preference, we'll go through the options to find the one that suits you best.

The right support.

Nothing matters more than keeping you mobile, so our servicing options are built around you. You'll also enjoy three-years free Roadside Assistance with your new van.

The right service.

We understand it's the little things that make the difference, so we set high standards. We'll call you when we say, keep you informed on delivery dates and support you long after purchase.

It's more than a van to you. You're more than a customer to us.

We know that when you choose Volkswagen, you're looking for more than just four walls on four wheels. You want a van that looks after itself while you take care of business. A vehicle that makes a statement, as well as a delivery. An investment for the future that makes a difference today.

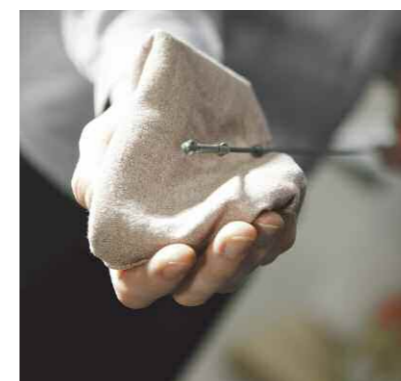
To anyone else you're a customer. To us, you're a partner.

By getting to know how you work and what you need, we can give you more. That means helping your business become stronger and leaner, supporting your plans year after year. It means a partnership that lasts as long as your ownership, with a vehicle and a team that's with you for the journey.



Our dedicated network of Van Centres.

69 Van Centres and 29 Authorised Repairers means you're only 45 minutes from our door, wherever your work takes you.



And there's more...

We offer a lot more than you might think. From cost-effective **van rental** to a wide selection of premium and budget **replacement tyres**, or an **air conditioning recharge** to pointing you to a **local signwriter**, we may be able to help!

For more information on service, support and warranties, take a look at **page 42**.

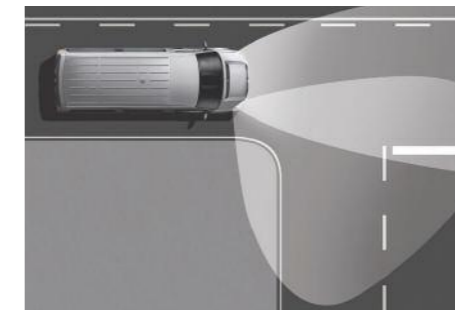
Your safety is our priority.



A driver's **airbag** is fitted as standard to all Crafter models, whilst a wide range of airbag options, such as side and curtain airbags, can also be specified. Where fitted, the front passenger airbag can be deactivated.



The **reversing camera**¹ gives you an optimised view of the area behind your vehicle. The system includes a 5.8" screen integrated into the radio which helps plot a safe route when reversing.



Cornering lights¹, integrated into the front fog lights, help to illuminate curves and bends in the road ahead. This allows you to anticipate possible risks sooner, helping you to arrive at your destination safely.



- 01** When the vehicle weight is transferred to the front wheels during braking, the **Electronic Brakeforce Distribution (EBD/EBV)** prevents lockup of the rear wheels, which are under less load. This helps your vehicle brake safely in a straight line.
- 02** The **seatbelt warning** reminds the driver that their seatbelt is not fastened. An audiovisual signal (standard on window van) is used to request that the seatbelt is fastened before you start driving.
- 03** The **Electronic Stabilisation Programme (ESP)**, including load adjustment, prevents the vehicle from swerving in critical driving conditions by controlled and targeted intervention in the brake and engine management. Thus, the vehicle achieves maximum directional stability.
- 04** The **tyre pressure monitoring** display (standard on window van) activates a warning signal to highlight significant changes in tyre pressure. This lets the driver know that the tyre pressure should be checked as soon as possible.
- 05** The **Anti-lock Braking System (ABS)** prevents wheels from locking up and therefore significantly improves the manoeuvrability of the vehicle under heavy braking.
- 06** The **Brake Assist** system recognises the speed at which the brake pedal is actuated. In the case of reflex or emergency braking, the system applies full brake pressure more rapidly to achieve the shortest possible stopping distance.

Your safety is a vital factor, so we ensure that a long list of safety and security features are built-in to every vehicle we produce. Since we first introduced structural safety features on commercial vehicles over 35 years ago, Volkswagen's policy of continuous safety development has been setting the pace. Every Volkswagen model incorporates a range of both active and passive safety features, to ensure the safety and security of both you and your load.

Almost every part of the vehicle's design contributes to safety. Occupants are securely enclosed within a rigid safety cell with crumple zones to absorb crash energy, while the chassis and suspension are designed for excellent directional stability and handling. Features such as Anti-lock Braking System (ABS), Electronic Brakeforce Distribution (EBD/EBV), Electronic Stabilisation Programme (ESP) and a driver's airbag are fitted as standard.

For extra security and protection, optional features such as anti-theft devices, parking sensors, reversing cameras, Bi-xenon headlights and cornering lights all offer added peace-of-mind.



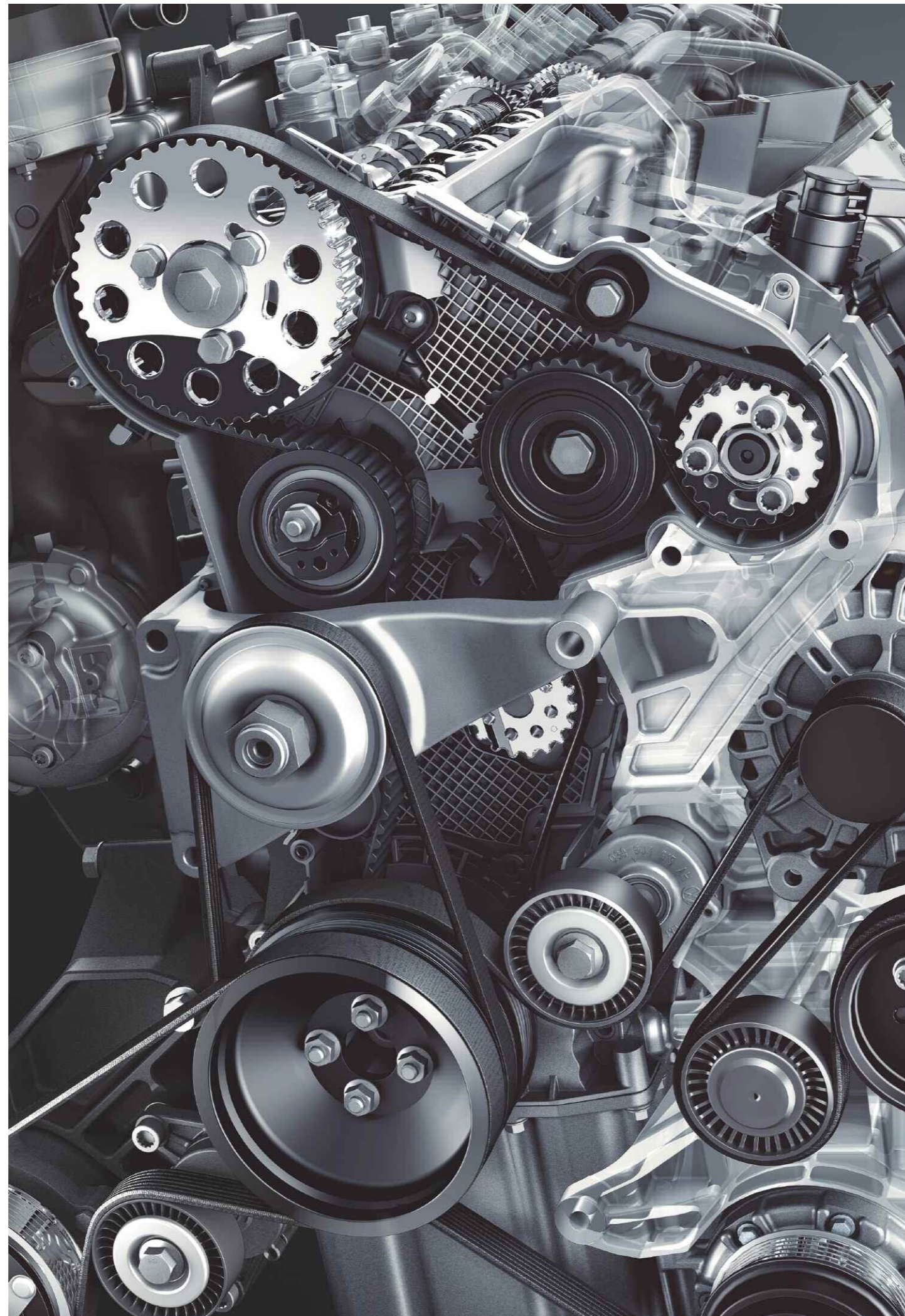
¹ Reversing camera and cornering lights are available as optional extras.

TDI and BiTDI engines. More power, torque and economy.

Our renowned TDI engines have long been setting the standards in diesel technology – and with rising fuel costs, we've also been working hard to lower fuel consumption, while reducing CO₂ emissions.

The Crafter engine range reflects this with a choice of five 2.0 litre common-rail diesel engines – all mated to a 6-speed manual gearbox. Three engines use TDI technology, while the powerful 163PS diesel engine (available as both Euro 5 and Euro 6) features BiTurbo (BiTDI) technology for the ultimate diesel experience. All engines in the Crafter range are equipped with diesel particulate filters and are designed to deliver the perfect balance of power, torque, flexibility and economy – meaning you're sure to find an engine that's perfectly suited to the particular demands of your business.

What's more, to aid your business further, all engines are available with a choice of Volkswagen's fixed or flexible servicing regimes – all designed to contribute to low whole-life running costs.



TDI

2.0 litre 80kW (109PS) TDI engine.¹

The entry level 109PS TDI diesel engine draws strength from a cubic capacity of 1,968cc. Thanks to TDI technology, it delivers 300Nm maximum torque. As is the case with all our TDI engines, CO₂ emissions and fuel consumption have been optimised, while still giving significant increases in performance. This is further enhanced in conjunction with the Crafter BlueMotion panel van.

2.0 litre 84kW (114PS) TDI engine.¹

As one of the new generation Euro 6 engines, the 114PS TDI diesel engine offers the perfect balance of power, torque and economy. It offers incredibly low fuel consumption and CO₂ emissions, whilst still delivering an impressive 300Nm maximum torque.

2.0 litre 100kW (136PS) TDI engine.¹

Thanks to a remarkable 340Nm maximum torque, the 136PS TDI diesel engine is a pleasure to drive and shifts heavy loads with ease. CO₂ emissions and fuel consumption have been significantly reduced for the sake of the environment and your pocket. This is further enhanced in conjunction with the Crafter BlueMotion panel van.

2.0 litre 120kW (163PS) BiTDI engine.¹

As the most powerful engine in the range, the amazing 163PS BiTDI diesel engine produces an incredible 400Nm maximum torque. This results in a driving experience that's second to none. Available as both Euro 5 and Euro 6, the 163PS diesel engine offers the option to future-proof your investment without compromising on performance.

Crafter Euro 6 engines. Leading the way.

With emission standards becoming increasingly tougher, we're already one step ahead. Both the **114PS** and **163PS** engines are already Euro 6 compatible – leading to lower emissions and higher residual values.

Euro 6 is achieved by applying the following technologies.

Selective Catalytic Reduction (SCR) – converts Nitrogen Oxide (NO_x) into Nitrogen by the addition of ammonia to the exhaust system.

Uses AdBlue® stored in an 18 litre tank in the engine compartment.

Exhaust Gas Recirculation (EGR) – reduces harmful Nitrogen Oxide by recirculating cooled exhaust gases.

Diesel Particulate Filter (DPF) – captures soot and particulate matter. Once full, the exhaust temperature increases to burn and remove soot.

¹ Please refer to page 35 for information about fuel consumption and CO₂ emissions.

BlueMotion Technology.

BLUEMOTION TECHNOLOGY

Three key elements.

1. Start/Stop.

Allows you to save fuel by automatically turning the engine off when you stop and engage neutral. As soon as you depress the clutch, the engine starts up again. A simple, but highly effective system.

2. Low rolling resistance tyres.

These don't need to work as hard to get your van moving (and keep it rolling) which is especially useful when shifting heavy loads. This reduces engine work, saves fuel and lowers CO₂ emissions.

3. Regenerative braking.

When you brake, the energy recuperation system uses momentum to turn the alternator and charge the battery. A well charged battery results in the engine doing less work, which in-turn saves fuel and lowers CO₂ emissions.

BlueMotion Technology (BMT) price.

MWB, LWB and LWB maxi panel van models	
Basic price (exc. VAT)	£355.00
Total price (inc. VAT)	£426.00

Find out more...

Safety systems	06	Paint and upholstery	32
Engines	08	Economy	35

BLUEMOTION

Crafter BlueMotion panel van.

BlueMotion exterior badge to front and rear.
BlueMotion Technology – including Start/Stop, low rolling resistance tyres and regenerative braking.
Breakdown kit – in lieu of spare wheel.
Optimised engine control – helping with improved fuel-efficiency up to an impressive **39.8mpg** (combined) and CO₂ emissions as low as **187g/km**.
RSD 2000 radio with AUX-IN and Bluetooth® connectivity.

Crafter BlueMotion additional price.

SWB CR30 panel van only

Basic price (exc. VAT)	£480.00
Total price (inc. VAT)	£576.00

BlueMotion Technology (BMT) is available as a cost-effective addition to selected models in the Crafter range. It consists of three key elements, which when added together, contribute to significant improvements in fuel consumption and CO₂ emissions. As a business, this not only benefits your pocket, but also demonstrates your concern for the environment!

The best reflection of these virtues can be found in the CR30 2.0TDI 109PS and CR30 2.0TDI 136PS Crafter BlueMotion panel vans, which as the most environmentally friendly models in the Crafter range, deliver the perfect balance between load capacity, power, torque and economy.

Available as a short wheelbase panel van, the BlueMotion offers a combined fuel figure of up to **39.8mpg** – over 8mpg better than the base model, and CO₂ emissions as low as **187g/km**. It achieves these figures by not only utilising Volkswagen's tried and tested BlueMotion Technology¹, but by also incorporating a host of other weight-saving and aerodynamic improvements to help optimise performance.

¹ The Crafter BlueMotion panel van includes BlueMotion Technology's three key elements as standard.



Main image features Indian Blue solid paint and optional front fog lights and parking sensors.

Welcome to your office.

Spacious, durable, comfortable and well-equipped – the Crafter’s cab is the perfect example of what we do best. It combines practicality and superb ergonomics with a wide range of standard features, all designed to help you through your working day.

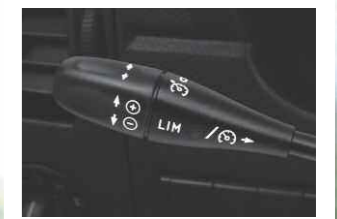
Once comfortably seated on a driver’s seat that adjusts for height, reach and rake and features an armrest, you’ll discover a versatile multi-function steering wheel that adjusts for reach and rake – allowing you to find the perfect driving position and have all key controls within easy reach. And with standard electric windows, cruise control and an RSD 4000 radio with Bluetooth® hands-free telephone connectivity (simultaneous pairing for two devices), Bluetooth® audio streaming, SD card slot, AUX-IN and USB interfaces – you’ll find a modern and stylish environment that’s a pleasure to use.



Standard multi-function steering wheel.
Operate a wide range of standard features and additional functions at the touch of a button.



RSD 4000 radio.
Featuring the very latest in audio technology and connectivity as standard – all designed to enhance your working day.



Cruise control.
Standard across the range, cruise control maintains a constant speed, helping to increase fuel efficiency and lower emissions.



Airbags.
A driver’s airbag is fitted as standard. A wide range of airbag options, such as side and curtain airbags, can also be specified.



Storage solutions.
The Crafter cab features a host of handy storage compartments, bins and trays to help keep your cab tidy.




Air conditioning.
Optional ‘Climatic’ air conditioning helps to maintain a comfortable and pleasant climate inside your cab.



Heated seats.
Available as an option on driver, or driver and passenger seats, heated seats add comfort on the coldest days.

Find out more...

Safety systems	06	Window van	20
Engines	08	Chassis and double cab	24
Panel van	16	Paint and upholstery	32

Panel vans.	CR30	CR35/CR35+ ¹	CR39	CR50/CR50+ ²
Short wheelbase low roof (standard)  Load length: 2,600mm Load height: 1,650mm	Payload: 953kg – 965kg Engine: 109 PS 136 PS	Payload: 1,428kg Engine: 109 PS		
Short wheelbase high roof  Load length: 2,600mm Load height: 1,940mm	Payload: 953kg – 965kg Engine: 109 PS 136 PS	Payload: 1,428kg Engine: 109 PS		
Medium wheelbase low roof  Load length: 3,265mm Load height: 1,650mm		Payload: 1,305kg – 1,330kg Engine: 109 ¹ PS 136 PS 163 PS	Payload: 1,721kg Engine: 109 PS	Payload: 2,477kg – 2,604kg Engine: 109 PS 114 PS 136 PS 163 ² PS 163 ² PS
Medium wheelbase high roof (standard)  Load length: 3,265mm Load height: 1,940mm		Payload: 1,305kg – 1,330kg Engine: 109 ¹ PS 136 PS 163 PS	Payload: 1,721kg Engine: 109 PS	Payload: 2,477kg – 2,604kg Engine: 109 PS 114 PS 136 PS 163 ² PS 163 ² PS
Medium wheelbase super high roof  Load length: 3,265mm Load height: 2,140mm		Payload: 1,305kg – 1,330kg Engine: 109 ¹ PS 136 PS 163 PS	Payload: 1,721kg Engine: 109 PS	Payload: 2,477kg – 2,604kg Engine: 109 PS 114 PS 136 PS 163 ² PS 163 ² PS
Long wheelbase high roof (standard)  Load length: 4,300mm Load height: 1,940mm		Payload: 1,008kg – 1,156kg Engine: 109 PS 114 PS 136 PS 163 PS 163 PS	Payload: 1,518kg Engine: 109 PS	Payload: 1,131kg – 2,419kg Engine: 109 PS 114 PS 136 PS 163 ² PS 163 ² PS
Long wheelbase super high roof  Load length: 4,300mm Load height: 2,140mm		Payload: 1,008kg – 1,156kg Engine: 109 PS 114 PS 136 PS 163 PS 163 PS	Payload: 1,518kg Engine: 109 PS	Payload: 1,131kg – 2,419kg Engine: 109 PS 114 PS 136 PS 163 ² PS 163 ² PS
Long wheelbase maxi high roof (standard)  Load length: 4,700mm Load height: 1,940mm		Payload: 965kg – 1,119kg Engine: 109 PS 114 PS 136 PS 163 PS 163 PS		Payload: 2,281kg – 2,382kg Engine: 109 PS 114 PS 136 PS 163 ² PS 163 ² PS
Long wheelbase maxi super high roof  Load length: 4,700mm Load height: 2,140mm		Payload: 965kg – 1,119kg Engine: 109 PS 114 PS 136 PS 163 PS 163 PS		Payload: 2,281kg – 2,382kg Engine: 109 PS 114 PS 136 PS 163 ² PS 163 ² PS

¹ CR35+ panel van is only available on medium wheelbase with the 109PS engine.

² CR50+ panel van and chassis cab are only available on medium and long wheelbase with the 163PS engine.





Your van.







You probably already have an idea about what you need from your ideal van and what you'll need to carry. Likewise, you're sure to have an idea about what's the heaviest, tallest, widest, longest, or just the most awkward load you'll need to get into your vehicle. If you're a fleet manager, then you'll probably need a variety of options and more than one vehicle. Bearing these factors in mind, the information featured on these pages is designed to help as a quick guide to which vehicle may be the closest match to your own specific requirements.

Your choice.

And remember, that's not all. If you need a more bespoke solution, take a look at our Engineered to go™ and Engineered for you™ solutions. Likewise, every Crafter is available with a wide range of options and accessories – all designed to further help tailor your vehicle to your own particular needs. So which model do you need?

Key. Euro 5 Euro 6

Window vans.	CR35	CR50/CR50+
Medium wheelbase high roof  	Payload: 1,139kg Engine: 109 PS 136 PS	
Long wheelbase high roof  	Payload: 973kg Engine: 109 PS 136 PS	

Chassis cabs.	CR35	CR50/CR50+ ²
Single cab medium wheelbase  	Payload: 1,688kg – 1,706kg Engine: 109 PS 136 PS 163 PS	Payload: 2,953kg – 2,982kg Engine: 109 PS 136 PS 163 PS
Single cab long wheelbase  	Payload: 1,653kg – 1,684kg Engine: 109 PS 136 PS 163 PS	Payload: 2,564kg – 2,934kg Engine: 109 PS 114 PS 136 PS 163 ² PS
Double cab long wheelbase  	Payload: 1,468kg Engine: 109 PS 136 PS	Payload: 2,417kg – 2,735kg Engine: 109 PS 114 PS 136 PS 163 PS

³ Seating capacity shown above includes the driver.

So which model do you need?

How to select your van...

1. Think about the **maximum length and height** of your load. This will help you choose a wheelbase and roof height. If you need to carry more than two passengers, you'll need to consider a window van. For something more specialised, then a chassis cab will be ideal.
2. To the right of your chosen vehicle, you'll see **payload** ranges and available engines. Think about the heaviest load you need to carry. This will help you see what's suitable (for instance a CR35).
3. If none of the standard vans in our Crafter range are suitable, then why not consider our **Engineered to go™** and **Engineered for you™** solutions?
4. Take a look at the separate Crafter price list to discover which **options** are available for your chosen vehicle.

Crafter panel van.

The **Crafter panel van** offers enough space to accommodate larger loads with ease. With payloads of up to 2,604kg and an enormous amount of load volumes available – from 7.5m³ for the Crafter short wheelbase, to 17.0m³ for the incredible Crafter long wheelbase maxi with super high roof, be it weight or size, you'll find a Crafter panel van that's more than up to the job. And when it comes to access, you'll find massive twin opening 270° rear doors and one of the widest side sliding doors in its class.

Add to this a stylish and comfortable cab featuring a single driver's seat with height, reach and rake adjustment and a dual passenger seat with storage box and folding tray in backrest as standard and you have a van capable of satisfying the most discerning customers as well as a huge range of businesses.



Dual passenger seat.
Features a storage box and folding tray in the backrest as standard. Shown here with optional Timo cloth upholstery.



Bulkhead options.
To help protect both your cargo and yourself, the load compartment is available with a variety of bulkhead options.



Full-width rear step.
The optional full-width rear step is integrated into the rear bumper and aids access into the cargo area.



Off-side sliding door.
A second sliding door on the driver's side can be specified as an option when access is needed to both sides of the vehicle.



Roof-mounted indicators.
For added safety, optional roof-mounted indicators work as an aid in helping road users anticipate your movements.



High level brake light.
All Crafter panel vans feature a large high level brake light that pulses under heavy braking as standard.



Reversing camera.
The optional high level reversing camera utilises the integrated 5.8" screen helping you to plot a safe route when reversing.

Find out more...

Safety systems	06	Cab comfort	12
Engines	08	Paint and upholstery	32
BlueMotion Technology	10	Economy	35
BlueMotion panel van	10	Service and warranties	42

Standard panel van specifications.



Large convex exterior door mirrors.



270° opening solid twin rear wing doors.



Six, eight, ten or twelve load-lashing rings.

Audio and communication.

RSD 4000 radio/audio interface with Bluetooth® hands-free telephone connectivity (simultaneous pairing for two devices), Bluetooth® audio streaming, SD card slot, AUX-IN and USB interfaces.
Five speakers.

Cab area.

Cruise control.
Digital clock.
Digital tachograph (CR50 only).
Dimmable dashboard illumination.
Driver's seat armrest.
Driver's seat with height, reach and rake adjustment.
Dual passenger seat with storage box and folding tray in backrest.
Electric front windows.
Interior light (including two reading lights).
Manual heating with charcoal filter and air recirculation.
Multi-function steering wheel with multi-function display.
Power steering.
Rubber floor covering.
Steering wheel with reach and rake adjustment.
Tasamo fabric seat covers (Anthracite).
Two folding and pivoted sun visors.
12v socket.

Cab storage

Document holder on centre console.
Five drinks holders.
Glove compartment.
Overhead storage (maximum load 5kg).
Storage compartment in right step and in doors (open and closed).
Storage tray in centre console and on dashboard.

Cargo area.

Door-activated interior lighting.
Entry grab handles at side and rear doors.
Floor mounted load-lashing rings (six on short wheelbase, eight on medium wheelbase, ten on long wheelbase and twelve on long wheelbase maxi).
Full-height steel bulkhead without window.
Interior side door entry step.
Rear-door interior release lever.
Two load-lashing rings on 'B' pillar.
Wooden flooring.

Exterior.

Black bumpers with integrated front step.
Black wheel centre caps.
Door mirrors, electrically heated and adjustable.
Externally adjustable external convex mirrors with indicators.
Front and rear towing eyes.
Heat insulating compound glass windscreen.
Heat insulating glass.

Passenger side sliding door.
270° rear wing doors.
75 litre fuel tank with lockable cap.

Front and rear axles.

Front anti-roll bar (front and rear on CR50 models).
Front transverse leaf-spring independent suspension.
Rear rigid axle with leaf springs (CR30/CR35 single leaf, CR50 triple leaf with telescopic shock absorbers).

Safety and security.

Anti-lock Braking System (ABS).
Automatic hazard lights activation under emergency braking.
Brake pad wear, failure and fluid level indicators.
Bulb failure monitor deactivation.
Centre high level third brake light.
Driver's airbag.
Electronic Brake Assist (EBA).
Electronic Brakeforce Distribution (EBD).
Electronic Differential Lock (EDL).
Electronic Stabilisation Programme (ESP) – load adjusting.
Electronic steering wheel lock.
Engine immobiliser.
Halogen main headlights with range control and daytime running function.
Height-adjustable head restraints.
Height-adjustable seatbelts for all outer cab seats.
Hydraulic brake system with ventilated front and solid rear disc brakes (ventilated front and rear on CR50).
Rear fog light.
Remote central locking with two remote keys.
Seatbelt warning light for driver.
Speed limiter: 56mph (90km/h) on CR50 models.
Three-point inertia-reel seatbelts for all seats.
Traction Control System (TCS).
Warning buzzer for lights left on.
Windscreen wiper with variable intermittent delay and wash-wipe system.

Wheels and tyres.

Wheels

16" x 6.5J steel wheels on CR35 models.
16" x 5.5J steel wheels on CR50 models.
Full size spare wheel.
Single rear wheel on CR35 models.
Twin rear wheels on CR50 models.
Tool kit and jack.

Tyres

235/65 R16C on CR35 models.
195/75 R16C on CR50 models.

Crafter window van.

The **Crafter window van** offers the versatility to accommodate either passengers or cargo and its layout can be tailored to the particular needs of your business. With the optional seats in place in a variety of locations across four rows (including the cab), the window van becomes a spacious people carrier seating up to nine, including the driver. With the seats removed, there's a cavernous load area that's ideal for the transport of large or heavy items of cargo.

And when you consider safety and security, the demands of your passengers needn't be compromised. With all seats featuring 3-point seatbelts and 4-way head restraints – combined with masses of legroom and extra heating and ventilation systems, the window van is as comfortable as it is practical.

Medium wheelbase example configurations.



Standard single passenger seat.



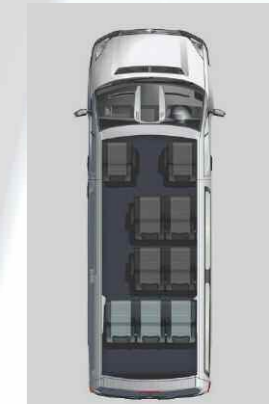
Optional dual passenger seat.



Optional 1st row two-seat bench.



Optional 2nd row two-seat bench.

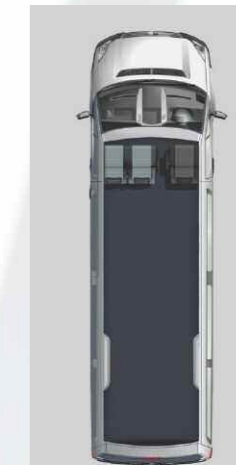


Optional 3rd row three-seat bench.

Long wheelbase example configurations.



Standard single passenger seat.



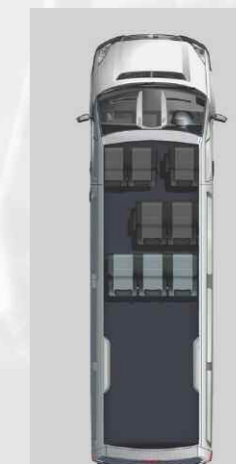
Optional dual passenger seat.



Optional 1st row two-seat bench.



Optional 2nd row two-seat bench.



Optional 2nd row three-seat bench.



Optional 3rd row two-seat bench.



Find out more...

Safety systems	06	Paint and upholstery	32
Engines	08	Economy	35
BlueMotion Technology	10	Dimensions	38
Cab comfort	12	Service and warranties	42

Standard window van specifications.



Optional side sliding windows.



Standard heated rear windows and wipers.



Standard Tasamo upholstery.

Audio and communication.

RSD 4000 radio/audio interface with Bluetooth® hands-free telephone connectivity (simultaneous pairing for two devices), Bluetooth® audio streaming, SD card slot, AUX-IN and USB interfaces.
Five speakers.

Cab area.

Cruise control.
Digital clock.
Dimmable dashboard illumination.
Driver's seat armrest.
Driver's seat with height, reach and rake adjustment.
Electric front windows.
Electrically adjustable and heated door mirrors.
Interior light (including two reading lights).
Manual heating with charcoal filter and air recirculation.
Multi-function steering wheel with multi-function display.
Power steering.
Rubber floor covering.
Single passenger seat.
Steering wheel with reach and rake adjustment.
Tasamo fabric seat covers (Anthracite).
Two folding and pivoted sun visors.
12v socket.

Cab storage

Document holder on centre console.
Five drinks holders.
Glove compartment.
Overhead storage (maximum load 5kg).
Storage compartment in right step and in doors (open and closed).
Storage tray in centre console and on dashboard.

Exterior.

Black bumpers with integrated front step.
Black wheel centre caps.
Door mirrors, electrically heated and adjustable.
Externally adjustable external convex mirrors with indicators.
Front and rear towing eyes.
Heat insulating compound glass windscreen.
Heat insulating glass.
Passenger-side sliding door.
Rear wing doors with heated rear windows and wipers.
Side marker lights.
Windows – fixed left and right.
75 litre fuel tank with lockable cap.

Front and rear axle.

Anti-roll bar, front.
Front transverse leaf-spring independent suspension.
Rear double-leaf comfort suspension.
Telescopic shock absorbers.

Passenger area.

Door-activated interior lighting.
Interior rear-door entry step.
Interior side-door entry step.
Mounting points for seats (seat configuration ordered separately).
Rear-door interior release lever.

Safety and security.

Anti-lock Braking System (ABS).
Automatic hazard lights activation under emergency braking.
Brake pad wear, failure and fluid level indicators.
Bulb failure monitor.
Centre high level third brake light.
Driver's airbag.
Electronic Brake Assist (EBA).
Electronic Brakeforce Distribution (EBD).
Electronic Differential Lock (EDL).
Electronic Stabilisation Programme (ESP) – load adjusting.
Electronic steering wheel lock.
Engine immobiliser.
Halogen main headlights with range control and daytime running function.
Height-adjustable head restraints.
Height-adjustable seatbelts for all outer cab seats.
Hydraulic brake system with ventilated front and solid rear disc brakes.
Rear fog light.
Remote central locking with two remote keys.
Seatbelt warning light and audiovisual signal for driver.
Three-point inertia-reel seatbelts for all seats.
Traction Control System (TCS).
Warning buzzer for lights left on.
Windscreen wiper with variable intermittent delay and wash-wipe system.

Wheels and tyres.

Wheels

16" x 6.5J steel wheels.
Full size spare wheel.
Single rear wheels.
Tool kit and jack.

Tyres

235/65 R16C.

Crafter chassis and double cab.

The **Crafter chassis and double cab** form the perfect base for a wide range of specialist applications and conversions. With a sturdy ladder frame chassis at the heart of both models, as well as numerous task-specific factory options and extensive wheelbase, payload and engine combinations, the Crafter enables virtually any kind of body to be mounted. If you simply require a straight-forward pickup, then our own optional factory alloy dropside body is more than up to the task.

When it comes to moving your crew, the Crafter excels here too. While the chassis cab seats up to three, including the driver, the double cab seats seven – all seats featuring 3-point seatbelts and adjustable head restraints as standard. Choose any Crafter chassis or double cab and you'll be building on a firm foundation.



Optional factory alloy dropside body with optional side storage box and ladder racks.



Find out more...

Safety systems	06	Engineered to go™	28
Engines	08	Engineered for you™	30
BlueMotion Technology	10	Dimensions	39
Cab comfort	12	Service and warranties	42

Standard chassis and double cab specifications.



Cab dual passenger seat with folding storage tray.



Seating for seven as standard (double cab).



Optional exterior lockable storage box.

Audio and communication.

RSD 4000 radio/audio interface with Bluetooth® hands-free telephone connectivity (simultaneous pairing for two devices), Bluetooth® audio streaming, SD card slot, AUX-IN and USB interfaces.
Five speakers.

Cab area.

Cruise control.
Digital clock.
Digital tachograph (CR50 only).
Dimmable dashboard illumination.
Driver's seat armrest.
Driver's seat with height, reach and rake adjustment.
Dual passenger seat with storage box and folding tray in backrest.
Electric front windows.
Electrically adjustable and heated door mirrors.
Interior light (including two reading lights).
Manual heating with charcoal filter and air recirculation.
Multi-function steering wheel with multi-function display.
Power steering.
Rubber floor covering.
Steering wheel with reach and rake adjustment.
Tasamo fabric seat covers (Anthracite).
Two folding and pivoted sun visors.
12v socket.

Cab storage

Document holder on centre console.
Five drinks holders.
Glove compartment.
Overhead storage (maximum load 5kg).
Storage compartment in right step and in doors (open and closed).
Storage tray in centre console and on dashboard.

Exterior.

Black bumpers with integrated front step.
Black wheel centre caps.
Door mirrors, electrically heated and adjustable.
Externally adjustable external convex mirrors with indicators (fitted to brace on driver and passenger sides for CR50 only).
Front and rear towing eyes.
Heat insulating compound glass windscreen.
Heat insulating glass.
Roof marker lights.
75 litre fuel tank with lockable cap.

Front and rear axle.

Anti-roll bar, front (front and rear on all CR50 models).
Front transverse leaf-spring independent suspension.
Rear rigid axle with leaf springs (CR35 double leaf, CR50 triple leaf).
Telescopic shock absorbers.

Double cab passenger area.

Additional first rear row passenger door on each side.
Child locks.
Four-seat rear bench with under-seat storage.
Hinged side windows.
Interior entry steps.

Safety and security.

Anti-lock Braking System (ABS).
Automatic hazard lights activation under emergency braking.
Brake pad wear, failure and fluid level indicators.
Driver's airbag.
Electronic Brake Assist (EBA).
Electronic Brakeforce Distribution (EBD).
Electronic Differential Lock (EDL).
Electronic Stabilisation Programme (ESP) – load adjusting.
Electronic steering wheel lock.
Engine immobiliser.
Halogen main headlights with range control and daytime running function.
Height-adjustable head restraints.
Height-adjustable seatbelts for all outer cab seats.
Hydraulic brake system with ventilated front and solid rear disc brakes (ventilated front and rear on CR50).
Rear fog light.
Remote central locking with two remote keys.
Seatbelt warning light for driver.
Speed limiter: 56mph (90km/h) on CR50 models.
Three-point inertia-reel seatbelts for all seats.
Traction Control System (TCS).
Warning buzzer for lights left on.
Windscreen wiper with variable intermittent delay and wash-wipe system.

Wheels and tyres.

Wheels

16" x 6.5J steel wheels on CR35 models.
16" x 5.5J steel wheels on CR50 models.
Full size spare wheel.
Single rear wheels on CR35 models.
Twin rear wheels on CR50 models.
Tool kit and jack.

Tyres

235/65 R16C on CR35 models.
195/75 R16C on CR50 models.

Engineered to go.™

We understand that some jobs require a more bespoke vehicle solution. As such, we've partnered with leading conversion specialists Ingimex, to create a range of tough and practical models – all based on our largest commercial vehicle.

These high quality and durable **Dropside, Tipper** and **Luton** variations come with a host of features and offer high or class-leading payloads and robust bodies designed to the latest European standards. As you'd expect, all are fully backed by our standard three-year warranty. For further information about available wheelbases and engine combinations, contact your Van Centre.



Find out more...

Safety systems	06	Cab comfort	12
Engines	08	Paint and upholstery	32
BlueMotion Technology	10	Service and warranties	42

Engineered to go™ model range.



Ingimex Dropside body – key equipment.

- Available for medium and long wheelbase chassis cab and long wheelbase double cab.
- Boards and lock assemblies, tested to a burst load of 1.7 tonnes.
- Bolted assembly with a 400kg gantry capacity.
- Indicative payloads of 1,150kg – 1,400kg.
- One piece, 15mm thick birch non-slip deck.
- Readily modified for addition of optional arrest rails, tail-lifts etc.
- Recessed, wash down load-lashing rings, tested to 800kg.
- Removable, powder coated rear corner pillars extend above board height to form lateral stops.
- Seamless aluminium boards, perfect for livery.
- Three-level load-lashing assembly.
- Three-year warranty.
- Wire rope supports retain tailboard horizontally and prevent rear lamp obstruction.



Ingimex Tipper body – key equipment.

- Available for medium and long wheelbase chassis cab and long wheelbase double cab.
- Bolted assembly with 400kg gantry capacity.
- Bolted construction for fast and simple maintenance.
- Compact, under-floor lift mechanism with overload and hose burst protection.
- High-yield steel tail-board with side mounted lock mechanisms.
- Indicative payloads of 1,000kg – 1,250kg.
- Seamless aluminium boards.
- Smooth steel platform, optimised for torsional/bending strength.
- Three-level load-lashing assembly.
- Three-year warranty.
- Whole platform dip e-coated for long-life service.
- Wire rope supports retain tailboard horizontally and prevent rear lamp obstruction.



Ingimex Luton body – key equipment.

- Available for long wheelbase chassis cab.
- Bolted rear frame, dip painted/powder coated to resist corrosion.
- Full-height grab handle with integrated, 360° rotating spot lamp.
- GRP sides and bulkhead with no visible fixings, clear for liveried finish.
- High strength Ingimex shutter with no external cables and smooth finish, suitable for livery.
- Indicative payload of 1,000kg – includes chassis pack¹.
- Readily modified for the addition of an optional tail-lift.
- Rear footstep fitted as standard.
- Reinforced bottom plank to protect against movement of unsecured loads.
- Three-year warranty.
- Unique Ingimex four-tier load restraint system for deck lashing, standard load lock lashing or for use with Ingimex telescopic load poles.

Engineered for you.™

If none of our off-the-shelf conversions quite match your requirements, we'll work with you to find an accredited converter who will design and build you a vehicle that does. While they are independent of Volkswagen Commercial Vehicles, naturally every accredited converter must meet our exacting technical standards to achieve this status.

Please note: Images shown include options in addition to base specification.

¹ Chassis pack includes uprated suspension, reinforced stabilisers and heavy-duty front axle for optimised vehicle handling.

Paint finishes.



Candy White
Solid paint
B4B4



Pure Grey
Solid paint
J2J2



Spectral Yellow
Solid paint
1X1X



Bright Orange
Solid paint
E3E3



Tornado Red
Solid paint
G2G2



Indian Blue
Solid paint
F3F3



Ontario Green
Solid paint
V7V7



Steel Blue
Solid paint
B6B6



Oxide Silver
Metallic paint¹
Q5Q5



Natural Grey
Metallic paint¹
M4M4

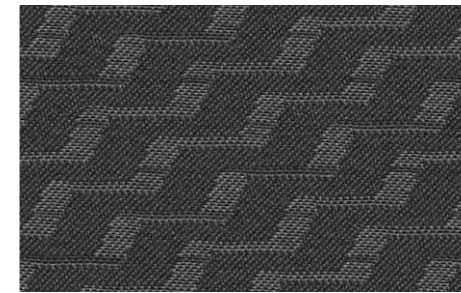


Allanite Brown
Metallic paint¹
U9U9



Taramite Black
Metallic paint¹
V6V6

Upholstery.



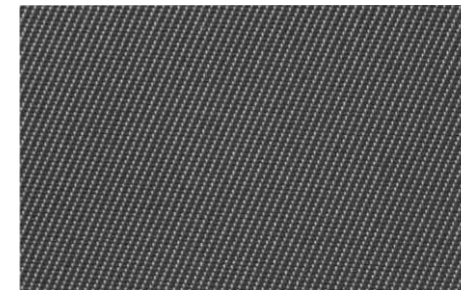
Tasamo
Anthracite
Cloth

PV WV CC



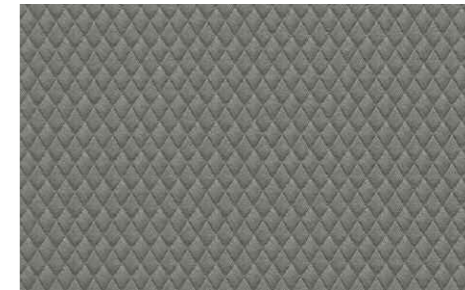
Timo
Anthracite
Cloth

PV WV CC



Robust
Classic Grey
Heavy-duty cloth

PV CC



Leatherette
Classic Grey
Synthetic leather

PV WV CC

Key.

Standard PV – Panel van CC – Chassis and double cab
 Optional WV – Window van

Alloy wheels, audio and communications.



16" Altamont
with 235/65 R16C tyres.
Not available
on CR50 models.



**16" full-width
wheel trims**



17" Hedemora
with 235/60 R17C tyres.
Not available
on CR50 models.



**RNS 6000
satellite navigation**
5.8" colour touch-screen.
Bluetooth® connectivity.
FM/AM radio with RDS.
AUX-IN and USB interface
with SD card slot.
Satellite navigation with
unit housed in lockable
glove compartment.

¹ Metallic paint finishes are available at extra cost.

Please note: Not all paint and upholstery combinations can be ordered together and in some instances certain combinations may incur extra cost.

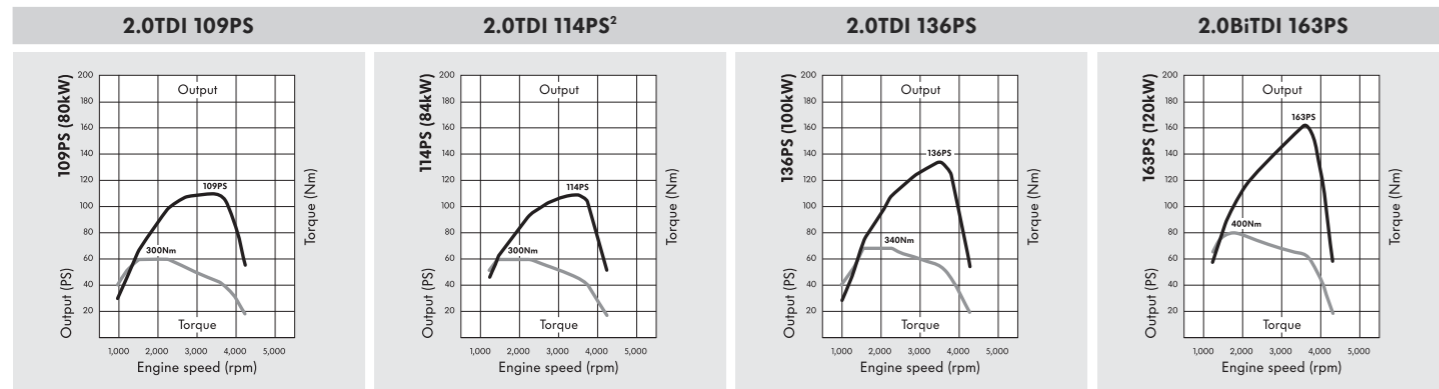
Print processes do not allow exact reproduction of paint and upholstery colours.

For alloy wheel, audio and communications compatibility and fitment, please see separate price list.

Engine and gearbox data.



Engine specifications.	2.0TDI 109PS	2.0TDI 114PS ²	2.0TDI 136PS	2.0BiTDI 163PS ¹
Engine type	Diesel, transverse, water-cooled, in-line, variable turbine geometry turbocharger with intercooler			Diesel, transverse, water-cooled, in-line, bi-turbo with intercooler
Mixture preparation/Injection method	Common-rail, direct injection			
EU exhaust emission standard	EURO 5	EURO 6	EURO 5	EURO 5 or 6
Number of cylinders	4			
Cubic capacity	1,968cc			
Output, PS at rpm	109 at 3,500	114 at 3,500	136 at 3,500	163 at 3,600
Torque, max. Nm at rpm	300 at 1,500-2,250	300 at 1,500-2,250	340 at 1,575-2,250	400 at 1,800
Diesel Particulate Filter (DPF)	●	●	●	●
Exhaust Gas Recirculation (EGR)	-	●	-	● ²
Selective Catalytic Reduction (SCR)	-	●	-	● ²
6-speed manual gearbox	●	●	●	●
Rear-wheel drive	●	●	●	●
Alternator	110A, 140A or 180A depending on optional equipment			
Battery	72Ah, 95Ah or 100Ah depending on optional equipment			



- Standard
- Available
- Not available

¹ Euro 6 engines are available on selected 163PS models.

² Only in combination with Euro 6 engines.

Fuel consumption, performance and emissions.

Engine/transmission	Urban mpg (ltr/100km) ³	Extra-urban mpg (ltr/100km) ³	Combined mpg (ltr/100km) ³	Top speed (where law permits) mph	CO ₂ emissions g/km ³
Short wheelbase panel van with low roof.					
CR30 2.0TDI 109PS	26.6 (10.6)	35.8 (7.9)	31.7 (8.9)	91.0	234
2.0TDI 109PS BlueMotion	35.3 (8.0)	42.8 (6.6)	39.8 (7.1)	93.0	187
2.0TDI 136PS	26.6 (10.7)	35.8 (7.9)	31.7 (8.9)	96.0	234
2.0TDI 136PS BlueMotion	35.3 (8.0)	42.8 (6.6)	39.8 (7.1)	97.0	187
CR35 2.0TDI 109PS	26.6 (10.6)	35.8 (7.9)	31.7 (8.9)	91.0	234
Medium wheelbase panel van and window van with high roof.					
CR35 2.0TDI 109PS	26.6 (10.6)	35.8 (7.9)	31.7 (8.9)	91.0	234
2.0TDI 109PS BMT	31.7 (8.9)	35.8 (7.9)	34.0 (8.3)	93.0	218
2.0TDI 136PS	26.6 (10.7)	35.8 (7.9)	31.7 (8.9)	96.0	234
2.0BiTDI 163PS	31.4 (9.0)	36.7 (7.7)	34.4 (8.2)	99.0	216
2.0BiTDI 163PS BMT	33.2 (8.5)	37.7 (7.5)	35.8 (7.9)	99.0	208
CR35+ 2.0TDI 109PS	28.0 (10.1)	36.2 (7.8)	32.8 (8.6)	91.0	226
CR39 2.0TDI 109PS	32.8 (8.6)	36.7 (7.7)	35.3 (8.0)	91.0	218
Long wheelbase panel van and window van with high roof.					
CR35 2.0TDI 109PS	26.6 (10.6)	35.8 (7.9)	31.7 (8.9)	91.0	234
2.0TDI 109PS BMT	31.7 (8.9)	35.8 (7.9)	34.0 (8.3)	93.0	218
2.0TDI 114PS (Euro 6)	26.2 (10.8)	36.2 (7.8)	32.1 (8.8)	93.0	231
2.0TDI 114PS BMT (Euro 6)	31.7 (8.9)	37.7 (7.5)	35.3 (8.0)	94.0	210
2.0TDI 136PS	26.6 (10.7)	35.8 (7.9)	31.7 (8.9)	96.0	234
2.0BiTDI 163PS	31.4 (9.0)	36.7 (7.7)	34.4 (8.2)	99.0	216
2.0BiTDI 163PS (Euro 6)	30.1 (9.4)	38.2 (7.4)	34.9 (8.1)	99.0	213
2.0BiTDI 163PS BMT	33.2 (8.5)	37.7 (7.5)	35.8 (7.9)	99.0	208
2.0BiTDI 163PS BMT (Euro 6)	33.6 (8.4)	40.4 (7.0)	37.7 (7.5)	84.0	197
CR39 2.0TDI 109PS	28.0 (10.1)	36.2 (7.8)	32.8 (8.6)	91.0	226
Long wheelbase maxi panel van with high roof.					
CR35 2.0TDI 109PS	26.6 (10.6)	35.8 (7.9)	31.7 (8.9)	91.0	234
2.0TDI 114PS (Euro 6)	26.2 (10.8)	36.2 (7.8)	32.1 (8.8)	93.0	231
2.0TDI 114PS BMT (Euro 6)	31.7 (8.9)	37.7 (7.5)	35.3 (8.0)	94.0	210
2.0TDI 136PS	26.6 (10.7)	35.8 (7.9)	31.7 (8.9)	96.0	234
2.0BiTDI 163PS	31.4 (9.0)	36.7 (7.7)	34.4 (8.2)	99.0	216
2.0BiTDI 163PS (Euro 6)	30.1 (9.4)	38.2 (7.4)	34.9 (8.1)	99.0	213
Medium wheelbase chassis cab.					
CR35 2.0TDI 109PS	25.0 (11.3)	34.0 (8.3)	30.1 (9.4)	83.9	247
2.0TDI 136PS	26.9 (10.1)	33.6 (8.4)	31.0 (9.1)	87.0	239
2.0BiTDI 163PS	30.7 (9.2)	35.8 (7.9)	33.6 (8.4)	94.4	221
Long wheelbase chassis cab.					
CR35 2.0TDI 109PS	25.0 (11.3)	34.0 (8.3)	30.1 (9.4)	83.9	247
2.0TDI 136PS	26.9 (10.1)	33.6 (8.4)	31.0 (9.1)	87.0	239
2.0BiTDI 163PS	30.7 (9.2)	35.8 (7.9)	33.6 (8.4)	94.4	221
Long wheelbase double cab.					
CR35 2.0TDI 109PS	25.0 (11.3)	34.0 (8.3)	30.1 (9.4)	83.9	247
2.0TDI 136PS	26.9 (10.1)	33.6 (8.4)	31.0 (9.1)	87.0	239

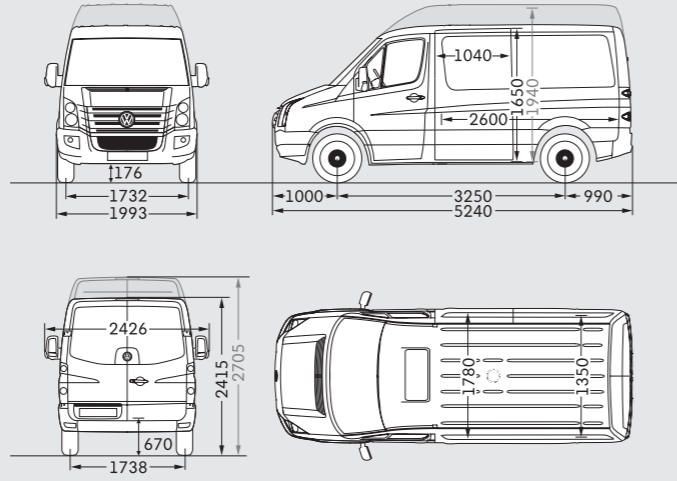
³ The fuel consumption and emission values listed here have been ascertained in accordance with the legally stipulated measuring method. These figures do not refer to a particular specific vehicle and do not constitute part of the offer but are purely for comparison purposes between the various types of vehicle. In addition to the fuel efficiency of a vehicle, driving behaviour as well as other non-technical factors (such as environmental conditions) play a role in determining a vehicle's fuel consumption and CO₂ emissions. In addition to weather and traffic conditions, extra equipment and accessories (attachment parts, tyres, etc.) may change vehicle parameters such as the weight, rolling resistance of the tyres and the aerodynamics and thus influence the fuel consumption and driving performance values.

CR50 model fuel consumption figures are not shown here due to factory legislative requirements. Speak to your Van Centre for more information.

Panel van dimensions.

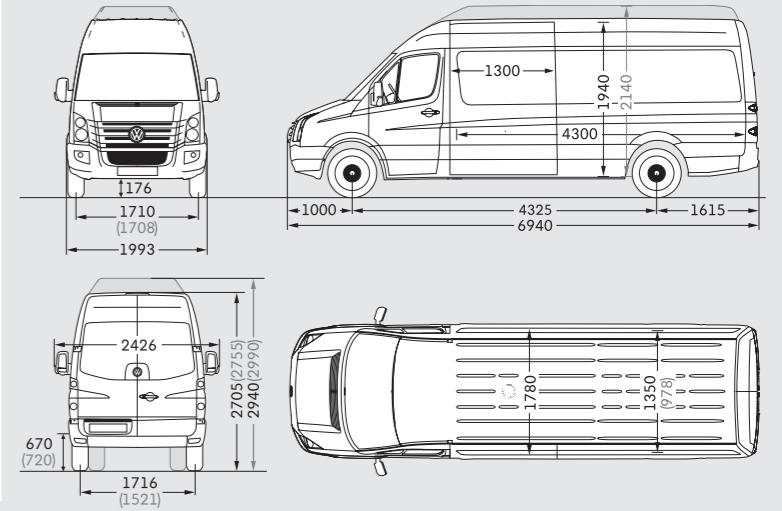
Short wheelbase low and high roof.

Roof height.	low ¹	high
Wheelbase	3,250	3,250
Load compartment	length	2,600
	width	1,780
	width between wheel arches	1,350
	height	1,650
load volume	7.5m ³	8.5m ³
Side sliding door	width	1,040
	height	1,520
Rear wing doors	width	1,565
	height	1,540
Turning circle (wall to wall)	12.3m	12.3m



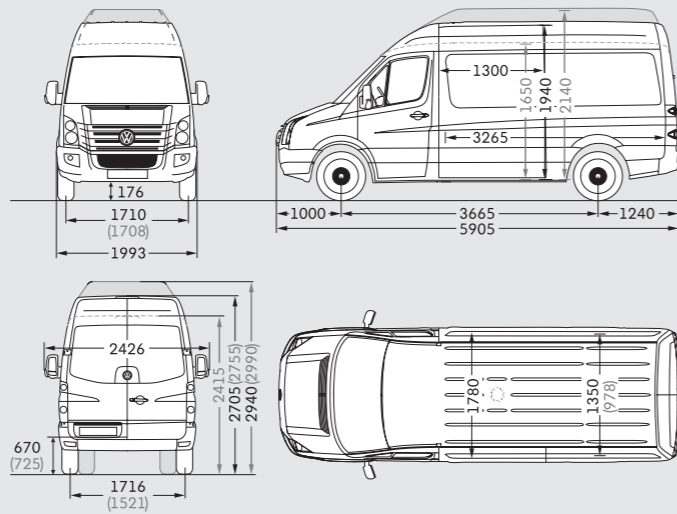
Long wheelbase high and super high roof.

Roof height.	high ¹	super
Wheelbase	4,325	4,325
Load compartment	length	4,300
	width	1,780
	width between wheel arches	1,350 (978)
	height	1,940
load volume	14.0m ³	15.5m ³
Side sliding door	width	1,300
	height	1,820
Rear wing doors	width	1,565
	height	1,840
Turning circle (wall to wall)	15.6m	15.6m



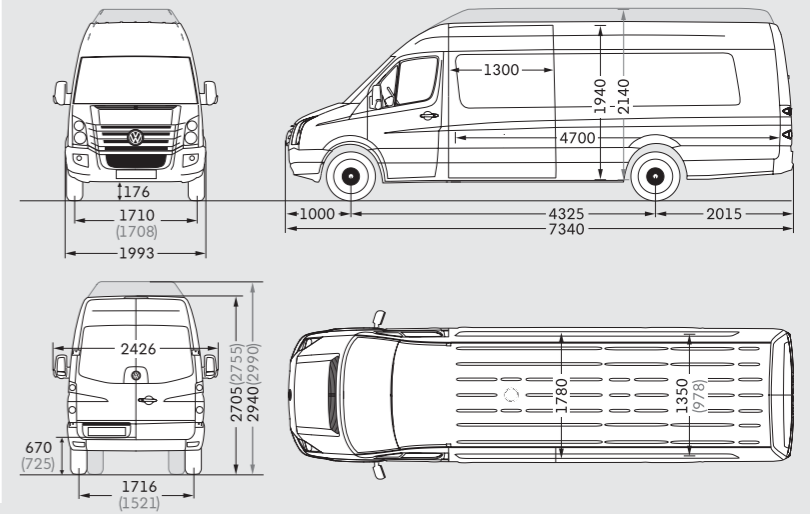
Medium wheelbase low, high and super high roof.

Roof height.	low	high ¹	super
Wheelbase	3,665	3,665	3,665
Load compartment	length	3,265	3,265
	width	1,780	1,780
	width between wheel arches	1,350 (978)	1,350 (978)
	height	1,650	1,940
load volume	9.0m ³	10.5m ³	11.5m ³
Side sliding door	width	1,300	1,300
	height	1,520	1,820
Rear wing doors	width	1,565	1,565
	height	1,540	1,840
Turning circle (wall to wall)	13.6m	13.6m	13.6m



Long wheelbase maxi high and super high roof.

Roof height.	high ¹	super
Wheelbase	4,325	4,325
Load compartment	length	4,700
	width	1,780
	width between wheel arches	1,350 (978)
	height	1,940
load volume	15.5m ³	17.0m ³
Side sliding door	width	1,300
	height	1,820
Rear wing doors	width	1,565
	height	1,840
Turning circle (wall to wall)	15.6m	15.6m



¹ Indicates standard roof height, other roof heights shown are available as an option.

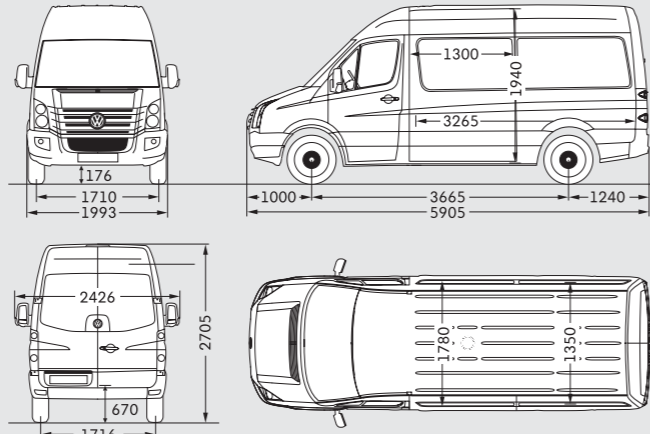
Please note: Vehicle drawings are not to scale. All dimensions in millimeters (mm), unless otherwise stated.

The height measurements listed may vary by ± 50mm depending on model and equipment fitted.

Window van dimensions.

Medium wheelbase high roof.

Roof height.		high
Wheelbase		3,665
Load compartment	length	3,265
	width	1,780
	width between wheel arches	1,350
	height	1,940
	load volume	10.5m ³
Side sliding door	width	1,300
	height	1,820
Rear wing doors	width	1,565
	height	1,840
Turning circle (wall to wall)		13.6m

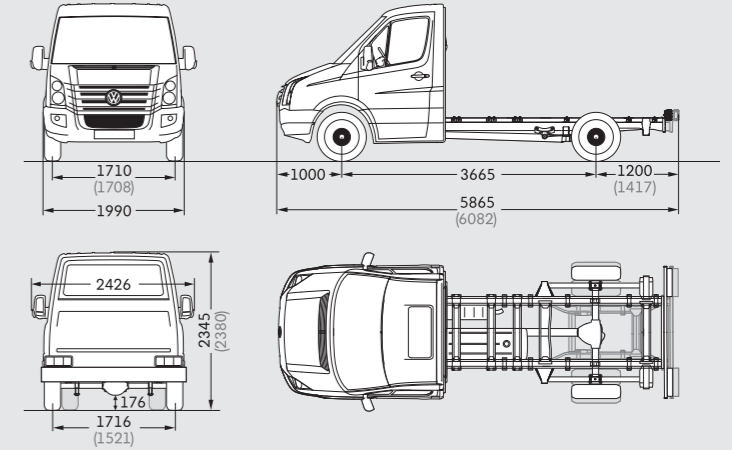


Chassis and double cab dimensions.

Medium wheelbase chassis cab.

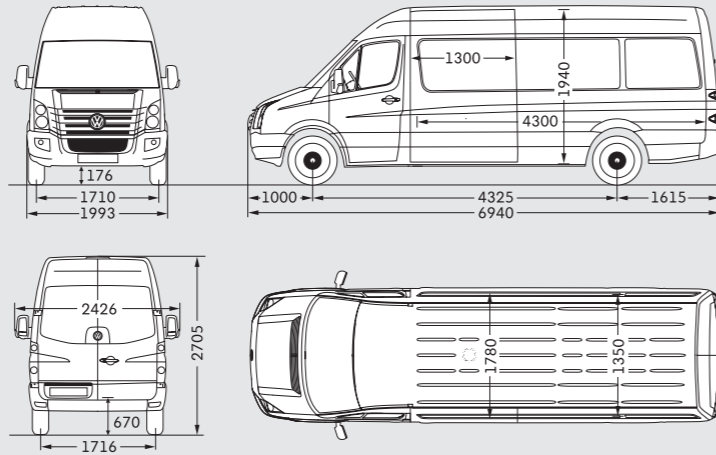
Wheelbase		3,665
Recommended external	CR35	3,670
constructional length	CR50	3,845
Turning circle (wall to wall)		13.5m

Figures shown in brackets refer to CR50 twin rear-wheel models.



Long wheelbase high roof.

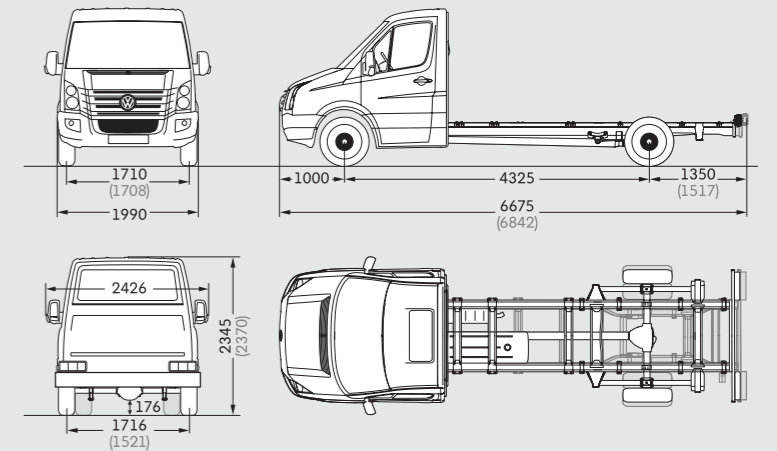
Roof height.		high
Wheelbase		4,325
Load compartment	length	4,300
	width	1,780
	width between wheel arches	1,350
	height	1,940
	load volume	14.0m ³
Side sliding door	width	1,300
	height	1,820
Rear wing doors	width	1,565
	height	1,840
Turning circle (wall to wall)		15.6m



Long wheelbase chassis cab.

Wheelbase		4,325
Recommended external	CR35	4,425
constructional length	CR50	4,610
Turning circle (wall to wall)		15.6m

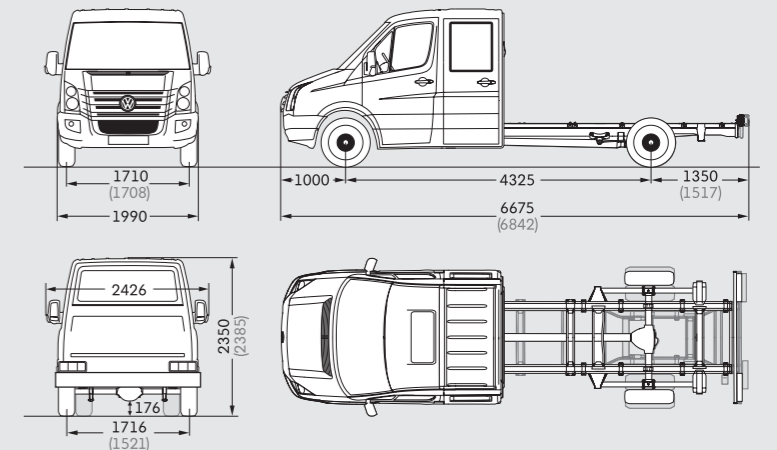
Figures shown in brackets refer to CR50 twin rear-wheel models.



Long wheelbase double cab.

Wheelbase		4,325
Recommended external	CR35	3,440
constructional length	CR50	3,610
Turning circle (wall to wall)		15.6m

Figures shown in brackets refer to CR50 twin rear-wheel models.



Please note: Vehicle drawings are not to scale. All dimensions in millimeters (mm), unless otherwise stated.

The height measurements listed may vary by ± 50mm depending on model and equipment fitted.

Panel van weights.

Model/ gross vehicle weight kg	Engine/transmission	Axle load limit front/rear kg	Trailer weight braked 12%/ unbraked kg	Gross train weight kg	Unladen weight ¹ kg	Payload ² kg	
Short wheelbase with low roof.							
CR30	3,000 2.0TDI 109PS	1,650 / 1,800	2,000 / 750	5,000	2,047	953	
	2.0TDI 109PS BlueMotion	1,650 / 1,800	2,000 / 750	5,000	2,035	965	
	2.0TDI 136PS	1,650 / 1,800	2,000 / 750	5,000	2,047	953	
	2.0TDI 136PS BlueMotion	1,650 / 1,800	2,000 / 750	5,000	2,035	965	
CR35	3,500 2.0TDI 109PS	1,650 / 2,250	2,000 / 750	5,500	2,072	1,428	
Medium wheelbase with high roof.							
CR35	3,500 2.0TDI 109PS	1,650 / 2,250	2,000 / 750	5,500	2,170	1,330	
	2.0TDI 109PS BMT	1,650 / 2,250	2,000 / 750	5,500	2,177	1,323	
	2.0TDI 136PS	1,650 / 2,250	2,000 / 750	5,500	2,170	1,330	
	2.0BitDI 163PS	1,650 / 2,250	2,000 / 750	5,500	2,188	1,312	
	2.0BitDI 163PS BMT	1,650 / 2,250	2,000 / 750	5,500	2,195	1,305	
CR35+	3,500 2.0TDI 109PS	1,650 / 2,250	2,000 / 750	5,500	2,180	1,320	
CR39	3,900 2.0TDI 109PS	1,650 / 2,250	2,000 / 750	5,500	2,179	1,721	
CR50	5,000 2.0TDI 109PS	1,850 / 3,500	2,000 / 750	7,000	2,396	2,604	
	2.0TDI 114PS (Euro 6)	1,850 / 3,500	2,000 / 750	7,000	2,523	2,477	
	2.0TDI 114PS BMT (Euro 6)	1,850 / 3,500	2,000 / 750	7,000	2,525	2,475	
	2.0TDI 136PS	1,850 / 3,500	2,000 / 750	7,000	2,402	2,598	
	2.0BitDI 163PS	1,850 / 3,500	2,000 / 750	7,000	2,414	2,586	
	2.0BitDI 163PS (Euro 6)	1,850 / 3,500	2,000 / 750	7,000	2,497	2,503	
CR50+	5,000 2.0BitDI 163PS	2,000 / 3,500	2,000 / 750	7,000	2,435	2,565	
	2.0BitDI 163PS (Euro 6)	2,000 / 3,500	2,000 / 750	7,000	2,518	2,482	
Long wheelbase with high roof.							
CR35	3,500 2.0TDI 109PS	1,650 / 2,250	2,000 / 750	5,500	2,344	1,156	
	2.0TDI 109PS BMT	1,650 / 2,250	2,000 / 750	5,500	2,351	1,149	
	2.0TDI 114PS (Euro 6)	1,650 / 2,250	2,000 / 750	5,500	2,485	1,015	
	2.0TDI 114PS BMT (Euro 6)	1,650 / 2,250	2,000 / 750	5,500	2,492	1,008	
	2.0TDI 136PS	1,650 / 2,250	2,000 / 750	5,500	2,344	1,156	
	2.0BitDI 163PS	1,650 / 2,250	2,000 / 750	5,500	2,362	1,138	
	2.0BitDI 163PS (Euro 6)	1,650 / 2,250	2,000 / 750	5,500	2,445	1,055	
	2.0BitDI 163PS BMT	1,650 / 2,250	2,000 / 750	5,500	2,369	1,131	
	2.0BitDI 163PS BMT (Euro 6)	1,650 / 2,250	2,000 / 750	5,500	2,452	1,048	
	CR39	3,900 2.0TDI 109PS	1,650 / 2,250	2,000 / 750	5,500	2,382	1,518
	CR50	5,000 2.0TDI 109PS	1,850 / 3,500	2,000 / 750	7,000	2,344	2,656
2.0TDI 114PS (Euro 6)		1,850 / 3,500	2,000 / 750	7,000	2,664	2,336	
2.0TDI 114PS BMT (Euro 6)		1,850 / 3,500	2,000 / 750	7,000	2,666	2,334	
2.0TDI 136PS		1,850 / 3,500	2,000 / 750	7,000	2,575	2,425	
2.0BitDI 163PS		1,850 / 3,500	2,000 / 750	7,000	2,362	2,638	
	2.0BitDI 163PS (Euro 6)	1,850 / 3,500	2,000 / 750	7,000	2,682	2,318	
CR50+	5,000 2.0BitDI 163PS	2,000 / 3,500	2,000 / 750	7,000	2,369	2,631	
	2.0BitDI 163PS (Euro 6)	2,000 / 3,500	2,000 / 750	7,000	2,703	2,297	
Long wheelbase maxi with high roof.							
CR35	3,500 2.0TDI 109PS	1,650 / 2,250	2,000 / 750	5,500	2,381	1,119	
	2.0TDI 114PS (Euro 6)	1,650 / 2,250	2,000 / 750	5,500	2,528	972	
	2.0TDI 114PS BMT (Euro 6)	1,650 / 2,250	2,000 / 750	5,500	2,535	965	
	2.0TDI 136PS	1,650 / 2,250	2,000 / 750	5,500	2,381	1,119	
	2.0BitDI 163PS	1,650 / 2,250	2,000 / 750	5,500	2,399	1,101	
	2.0BitDI 163PS (Euro 6)	1,650 / 2,250	2,000 / 750	5,500	2,482	1,018	
CR50	5,000 2.0TDI 109PS	1,850 / 3,500	2,000 / 750	7,000	2,618	2,382	
	2.0TDI 114PS (Euro 6)	1,850 / 3,500	2,000 / 750	7,000	2,701	2,299	
	2.0TDI 114PS BMT (Euro 6)	1,850 / 3,500	2,000 / 750	7,000	2,703	2,297	
	2.0TDI 136PS	1,850 / 3,500	2,000 / 750	7,000	2,608	2,392	
	2.0BitDI 163PS	1,850 / 3,500	2,000 / 750	7,000	2,636	2,364	
	2.0BitDI 163PS (Euro 6)	1,850 / 3,500	2,000 / 750	7,000	2,719	2,281	

Window van weights.

Model/ gross vehicle weight kg	Engine/transmission	Axle load limit front/rear kg	Trailer weight braked 12%/ unbraked kg	Gross train weight kg	Unladen weight ¹ kg	Payload ² kg
Medium wheelbase with high roof.						
CR35	3,500 2.0TDI 109PS	1,650 / 2,250	2,000 / 750	5,500	2,361	1,139
	2.0TDI 136PS	1,650 / 2,250	2,000 / 750	5,500	2,361	1,139
Long wheelbase with high roof.						
CR35	3,500 2.0TDI 109PS	1,650 / 2,250	2,000 / 750	5,500	2,527	973
	2.0TDI 136PS	1,650 / 2,250	2,000 / 750	5,500	2,527	973

Chassis cab weights.

Model/ gross vehicle weight kg	Engine/transmission	Axle load limit front/rear kg	Trailer weight braked 12%/ unbraked kg	Gross train weight kg	Unladen weight ¹ kg	Payload ² kg
Medium wheelbase.						
CR35	3,500 2.0TDI 109PS	1,650 / 2,250	2,000 / 750	5,500	1,794	1,706
	2.0TDI 136PS	1,650 / 2,250	2,000 / 750	5,500	1,794	1,706
	2.0BitDI 163PS	1,650 / 2,250	2,000 / 750	5,500	1,812	1,688
CR50	5,000 2.0TDI 109PS	1,850 / 3,500	2,000 / 750	7,000	2,018	2,982
	2.0TDI 136PS	1,850 / 3,500	2,000 / 750	7,000	2,207	2,793
	2.0BitDI 163PS	1,850 / 3,500	2,000 / 750	7,000	2,036	2,964
CR50+	5,000 2.0BitDI 163PS	2,000 / 3,500	2,000 / 750	7,000	2,047	2,953

Long wheelbase.

CR35	3,500 2.0TDI 109PS	1,650 / 2,250	2,000 / 750	5,500	1,816	1,684
	2.0TDI 136PS	1,650 / 2,250	2,000 / 750	5,500	1,816	1,684
	2.0BitDI 163PS	1,650 / 2,250	2,000 / 750	5,500	1,847	1,653
CR50	5,000 2.0TDI 109PS	1,850 / 3,500	2,000 / 750	7,000	2,066	2,934
	2.0TDI 114PS (Euro 6)	1,850 / 3,500	2,000 / 750	7,000	2,436	2,564
	2.0TDI 136PS	1,850 / 3,500	2,000 / 750	7,000	2,291	2,709
	2.0BitDI 163PS	1,850 / 3,500	2,000 / 750	7,000	2,096	2,904
CR50+	5,000 2.0BitDI 163PS	2,000 / 3,500	2,000 / 750	7,000	2,107	2,893

Double cab weights.

Model/ gross vehicle weight kg	Engine/transmission	Axle load limit front/rear kg	Trailer weight braked 12%/ unbraked kg	Gross train weight kg	Unladen weight ¹ kg	Payload ² kg
Medium wheelbase.						
CR35	3,500 2.0TDI 109PS	1,800 / 2,250	2,000 / 750	5,500	2,032	1,468
	2.0TDI 136PS	1,800 / 2,250	2,000 / 750	5,500	2,032	1,468
CR50	5,000 2.0TDI 109PS	1,850 / 3,500	2,000 / 750	7,000	2,268	2,732
	2.0TDI 114PS (Euro 6)	1,850 / 3,500	2,000 / 750	7,000	2,583	2,417
	2.0TDI 136PS	1,850 / 3,500	2,000 / 750	7,000	2,267	2,733
	2.0BitDI 163PS	1,850 / 3,500	2,000 / 750	7,000	2,286	2,714

¹ Unladen weight includes approximately 90% fuel load and 75kg for driver.

² Payload = gross vehicle weight – unladen weight. Weights are for vehicles with standard specification. Maxi = extended rear overhang.

Roof load limit: 300kg (low roof), 150kg (high/super high roof). Trailer nose weight: 100kg.

The addition of factory options or Volkswagen Van Centre fitted accessories may affect unladen weight and payload.

Please note: For CR35 and CR50 models with an appropriate combination of engine, rear-axle and towbar options, it is possible to obtain a braked towing capacity of up to 3,500kg and an increase in gross train weight. Please consult your Van Centre for details, including available axle ratio options to suit vehicle requirements. For aftermarket towing above the standard 2,000kg in the UK, the plate displaying the vehicle's gross train weight plating must be updated.

Service and warranties.

Finance and insurance.

When it comes to paying for your van, we've got options including Contract Hire and Finance Lease, or Hire Purchase. We can also offer you competitive insurance.

A choice of packages.

Whether you prefer to lease your vehicles, with none of the concerns of ownership and the freedom to change models easily, or purchase outright to own the vehicle that's perfect for your business, we're here to help you make the best decision.

You can go flexible, by choosing a payment plan that suits your finances, with options to reduce your monthly costs and your repayment period. Or choose a fixed monthly price that allows you to budget confidently for the longer term.

You can even include your road tax and servicing costs to arrive at one simple, all-inclusive payment. For more information, pick up a finance brochure, or ask at your Van Centre.

Volkswagen insurance.

Volkswagen Commercial Vehicles Insurance provides cost-effective and comprehensive motor insurance, as well as gap insurance, which helps replace your vehicle and protect you from any financial shortfall if it's written off.

Insurance benefits include:

- Free seven-day cover to allow you to drive your vehicle away.
- All repairs performed by approved repairers.
- Volkswagen Genuine Parts® used on all repairs.
- Courtesy vehicle provided during repair following an accident.
- Cover for breakage and damage to glass.
- Tools-in-transit cover (up to £1,000).
- In-vehicle personal belongings cover (up to £500).
- Vehicle recovery.
- 60-day European Union cover.
- Legal expenses cover (up to £100,000).

For more information about motor and gap insurance products, ask at your Van Centre, call **0800 316 7896**, or visit insurewithvwcv.co.uk.

¹ Business Vans Awards 2014: Best Service Package for Van Owners.

² Class 4 MOT only. This option is available to all new and used vehicles up to four years old or with less than 80,000 miles on the clock. Services must be used consecutively prior to vehicle reaching eight years old.

Servicing and support.

We're here to keep your business moving, with our range of three award-winning¹ servicing and maintenance options, as well as free Roadside Assistance.

Pay monthly.

This option is available for vehicles that are less than 12 months old and have covered less than 10,000 miles. It makes budgeting easier by splitting the cost of servicing into fixed monthly payments – whether you want Service only, Service and Maintenance or Service, Maintenance and Tyres.

Pay upfront.²

If you can pay for more than one service upfront, we'll help by reducing your costs. Buy two upfront and you'll receive one interim and one full service at a discounted rate. Buy four and you'll receive two interim and two full services, with your next MOT also included.

Pay on demand.

If you're looking for freedom and flexibility with your servicing, it's good to know we're ready when you are. So with our third option, you can choose to pay for your services as and when you need them, with our National Service Pricing. Ask your Van Centre for an up-to-date pricing guide.

Roadside Assistance.

We understand the need to keep you mobile. That's why all new vans come with three-year, unlimited mileage roadside cover. Should the unexpected happen, one call gets you straight through to a team trained to help you through any breakdown or accident. Supporting you every day will be a team of vehicle technicians, fully-trained by Volkswagen and carrying the latest diagnostic equipment, specialist tools and parts.

Assistance benefits include:

- Assistance at home, by the roadside or place of work.
- Recovery to your preferred location.
- Onward travel, for you and your cargo.
- Cover 24 hours a day, 365 days a year.
- Free cover for three years (on new vehicles).
- Unlimited mileage.
- European cover.
- Option to extend cover beyond three years.

Warranties.

You can count on us long after you purchase your Crafter, thanks to its comprehensive three-year, unlimited mileage warranty. You choose Volkswagen because your business depends on it, year in, year out.

While your Crafter is under warranty, we'll fix any defect in manufacture or workmanship free of charge, even if you purchase and service the vehicle at different Van Centres.

Extended warranty.

You can also choose to extend your warranty beyond the three-year period, choosing either Comprehensive or Major Component cover, as a one-off or monthly payment. For full details of cover levels, along with terms and conditions, please visit volkswagencvwarranty.co.uk where you'll also be able to obtain a quote and purchase an extended warranty.

Paint and body warranty.

Your Crafter's exterior paintwork is covered against manufacturing defects for a period of three years, while its body sections and panels are covered against rusting through from the inside for 12 years. Some exclusions apply and the vehicle must be cared for using the guidance in your owner's manual.

Please note: Print processes do not allow exact reproduction of the paint and upholstery colours. Some of the vehicles shown are European specification and may be fitted with optional equipment or accessories that are available at extra cost, or do not reflect current specification. All data and specifications are in accordance with information available at the time of going to print and are subject to change without notice. Vehicles not currently in UK stock and customer order vehicles may take a number of weeks for delivery. Certain combinations of vehicle specifications and factory-fitted extras are not compatible and therefore all orders received are subject to confirmation. Models, factory fitted-options and paint and upholstery options are subject to availability. Please check details and availability with an authorised Volkswagen Van Centre at the time of ordering.

Volkswagen Commercial Vehicle Finance is a trading name of Volkswagen Financial Services (UK) Limited, Brunswick Court, Yeomans Drive, Blakelands, Milton Keynes MK14 5LR. Registered in England number: 2835230. An offer of finance depends on certain conditions. Subject to status, indemnities may be required. Available to over 18s in the UK only. Volkswagen Commercial Vehicle Insurance is a trading name of Volkswagen Insurance Service (Great Britain) Limited, an appointed representative of Volkswagen Financial Services (UK) Limited, registered in England number: 2835230 (registered office: Brunswick Court, Yeomans Drive, Blakelands, Milton Keynes MK14 5LR). Volkswagen Commercial Vehicle Insurance motor insurance is sold, underwritten and administered by Allianz Insurance plc., registered in England number: 84638 (registered office: 57 Ladymead, Guildford, Surrey GU1 1DB). Volkswagen Financial Services (UK) Limited is authorised and regulated by the Financial Conduct Authority. Financial Services Register number: 311988. Allianz Insurance plc is authorised by the Prudential Regulation Authority and regulated by the Financial Conduct Authority and the Prudential Regulation Authority. Financial Services Register number: 121849. Volkswagen Financial Services (UK) Limited and Allianz Insurance plc are not part of the same corporate group.



Add extra style, protection and practicality to your van, while still keeping it 100% Volkswagen.

Add more with Add Ons...

Accessories allow you to go beyond options and truly customise your van. You might want extra capacity with roof attachments or a tow bar, add cab technology or even convert a work van into a weekend leisure vehicle. Whatever you need, there's something in our Add Ons range for you.

Keep it 100% Volkswagen.

There are big advantages to purchasing approved accessories from us. Add Ons have all been designed with your Volkswagen in mind, so they're a perfect match for fit and style. They're also rugged, reliable and long-lasting.

Keep your Add Ons covered.

Most Add Ons include a two-year warranty, but the great news is that if you order and fit them when you purchase a new van, we may be able to extend that to three years to match your vehicle's warranty. Ask your Van Centre for more details.

Crafter

VW MY15 CRAFT

This brochure supersedes all previous publications.

Issue: June 2014

Internet: www.volkswagen-vans.co.uk