



View offers

- > Saloon
- > Estate



Book a test drive

- > Saloon
- > Estate
- > AMG



Find a Retailer



View the Range Guide

# C-Class Saloon and Estate.

Effective from 1 June 2015.



Mercedes-Benz



View offers

- > Saloon
- > Estate



Book a test drive

- > Saloon
- > Estate
- > AMG



Find a Retailer



View the Range Guide

# Contents

Model prices	10	Driving Assistance package	42	Genuine Accessories	62
Finance offers	14	Optional equipment	43	Colours and materials	66
Model lines	22	Mercedes-AMG model lines	46	Technical data	70
Standard equipment	28	Mercedes-AMG standard equipment	50	Road Fund Licence	80
Wheels	33	Premium package	54	Services and benefits	81
Executive, Premium and Premium Plus packages	37	Pricing summary for Premium package	56	Mercedes me	82
Pricing summary for Executive, Premium and Premium Plus packages	40	Driving Assistance package	49	Mercedes-Benz Finance and Insurance	84
		Mercedes-AMG optional equipment	58		



View offers

- > Saloon
- > Estate



Book a  
test drive

- > Saloon
- > Estate
- > AMG



> Find a Retailer



> View the Range Guide

## The hard facts to melt your heart

At Mercedes-Benz we appreciate the importance of detail. Over the following pages you'll find model prices and a breakdown of standard and optional equipment, as well as details of the comprehensive services and benefits that are available to every Mercedes-Benz driver.

See Mercedes-Benz in a new light. Now is the time to get yourself behind the wheel of a C-Class. Choose from a number of attractive finance offers. Please see pages 14-21 for further details, or visit [www.mercedes-benz.co.uk/offers](http://www.mercedes-benz.co.uk/offers)

Of course, some things have to be experienced to be truly appreciated, such as the qualities that set a Mercedes-Benz apart. Which is why we'd like to invite you for a test drive at your local Mercedes-Benz Retailer. Alternatively, you can make arrangements by visiting [www.mercedes-benz.co.uk/testdrive](http://www.mercedes-benz.co.uk/testdrive)

For more information visit [www.mercedes-benz.co.uk](http://www.mercedes-benz.co.uk) or call 0333 222 0500.



View offers  
▶ Saloon  
▶ Estate



Book a test drive  
▶ Saloon  
▶ Estate  
▶ AMG



▶ Find a Retailer



▶ View the Range Guide

4



Model features optional equipment at an additional cost.



View offers  
▶ Saloon  
▶ Estate



Book a test drive  
▶ Saloon  
▶ Estate  
▶ AMG



▶ Find a Retailer



▶ View the Range Guide



Model features optional equipment at an additional cost.



View offers  
▶ Saloon  
▶ Estate



Book a test drive  
▶ Saloon  
▶ Estate  
▶ AMG



▶ Find a Retailer



▶ View the Range Guide

6



Model features optional equipment at an additional cost.



View offers  
➤ Saloon  
➤ Estate



Book a test drive  
➤ Saloon  
➤ Estate  
➤ AMG



➤ Find a Retailer



➤ View the Range Guide



Model features optional equipment at an additional cost.



View offers

- > Saloon
- > Estate



Book a test drive

- > Saloon
- > Estate
- > AMG



Find a Retailer



View the Range Guide







View offers > Saloon  
> Estate



Book a test drive > Saloon  
> Estate  
> AMG



> Find a Retailer



> View the Range Guide



[View offers](#)

- > Saloon
- > Estate

[Book a test drive](#)

- > Saloon
- > Estate
- > AMG

[Find a Retailer](#)[View the Range Guide](#)

10

## Model prices – Saloon

Engine	Model line	Transmission	CO <sub>2</sub>	Basic RRP excl. VAT (£)	Total RRP incl. VAT (£)	Road Fund Licence (£) <sup>1</sup>	Rec. OTR price (£) <sup>2</sup>	P11D value (£)	BiK tax rate 2015/16 (%)
<b>C 200 d</b> Diesel – 1,598 cc, 4-cylinder, 136hp/100 kW	SE	6-speed manual	101	23,925.00	28,710.00	0.00	29,380.00	29,325.00	18
		7G-TRONIC PLUS 7-speed automatic <sup>3</sup>	111	25,175.00	30,210.00	0.00	30,880.00	30,825.00	20
	Sport	6-speed manual	101	25,587.50	30,705.00	0.00	31,375.00	31,320.00	18
		7G-TRONIC PLUS 7-speed automatic <sup>3</sup>	111	26,837.50	32,205.00	0.00	32,875.00	32,820.00	20
	AMG Line	6-speed manual	106	26,833.33	32,200.00	0.00	32,870.00	32,815.00	19
		7G-TRONIC PLUS 7-speed automatic <sup>3</sup>	116	28,083.33	33,700.00	0.00	34,370.00	34,315.00	21
<b>C 220 d</b> Diesel – 2,143 cc, 4-cylinder, 170hp/125 kW	SE	6-speed manual	103	24,587.50	29,505.00	0.00	30,175.00	30,120.00	18
		7G-TRONIC PLUS 7-speed automatic <sup>3</sup>	109	25,837.50	31,005.00	0.00	31,675.00	31,620.00	19
	Sport	6-speed manual	103	26,250.00	31,500.00	0.00	32,170.00	32,115.00	18
		7G-TRONIC PLUS 7-speed automatic <sup>3</sup>	109	27,500.00	33,000.00	0.00	33,670.00	33,615.00	19
	AMG Line	6-speed manual	108	27,495.83	32,995.00	0.00	33,665.00	33,610.00	19
		7G-TRONIC PLUS 7-speed automatic <sup>3</sup>	117	28,745.83	34,495.00	0.00	35,165.00	35,110.00	21
<b>C 250 d</b> Diesel – 2,143 cc, 4-cylinder, 204hp/150 kW	SE	7G-TRONIC PLUS 7-speed automatic <sup>3</sup>	109	26,800.00	32,160.00	0.00	32,830.00	32,775.00	19
	Sport	7GTRONIC PLUS 7-speed automatic <sup>3</sup>	109	28,462.50	34,155.00	0.00	34,825.00	34,770.00	19
	AMG Line	7G-TRONIC PLUS 7-speed automatic <sup>3</sup>	117	29,708.33	35,650.00	0.00	36,320.00	36,265.00	21
<b>C 300 h</b> Diesel – 2,143 cc, 4-cylinder, 204hp/150 kW Electric motor – 27hp/20 kW	SE	7G-TRONIC PLUS 7-speed automatic <sup>3</sup>	94	28,975.00	34,770.00	0.00	35,440.00	35,385.00	13
	Sport	7G-TRONIC PLUS 7-speed automatic <sup>3</sup>	94	30,637.50	36,765.00	0.00	37,435.00	37,380.00	13
	AMG Line	7G-TRONIC PLUS 7-speed automatic <sup>3</sup>	100	31,883.33	38,260.00	0.00	38,930.00	38,875.00	15

[View offers](#)[> Saloon](#)[> Estate](#)[Book a test drive](#)[> Saloon](#)[> Estate](#)[> AMG](#)[> Find a Retailer](#)[> View the Range Guide](#)

Model prices | Saloon

11

Engine	Model line	Transmission	CO <sub>2</sub>	Basic RRP excl. VAT (£)	Total RRP incl. VAT (£)	Road Fund Licence (£) <sup>1</sup>	Rec. OTR price (£) <sup>2</sup>	P11D value (£)	BiK tax rate 2015/16 (%)
<b>C 200</b> Petrol – 1,991cc, 4-cylinder, 184 hp/135 kW	SE	6-speed manual	123	22,495.83	26,995.00	0.00	27,665.00	27,610.00	19
		7G-TRONIC PLUS 7-speed automatic <sup>3</sup>	123	23,745.83	28,495.00	0.00	29,165.00	29,110.00	19
	Sport	6-speed manual	123	24,158.33	28,990.00	0.00	29,660.00	29,605.00	19
		7G-TRONIC PLUS 7-speed automatic <sup>3</sup>	123	25,408.33	30,490.00	0.00	31,160.00	31,105.00	19
	AMG Line	6-speed manual	132	25,404.17	30,485.00	130.00	31,285.00	31,100.00	21
		7G-TRONIC PLUS 7-speed automatic <sup>3</sup>	131	26,654.17	31,985.00	130.00	32,785.00	32,600.00	21
<b>C 350e<sup>4</sup></b> Petrol – 1,991cc, 4-cylinder, 211 hp/155 kW Electric motor – 82 hp/60 kW	Sport	7G-TRONIC PLUS 7-speed automatic <sup>3</sup>	48	31,333.33	37,600.00	0.00	38,270.00	38,215.00	5

**Mercedes-AMG**

<b>Mercedes-AMG C 63</b> Petrol – 3,982 cc, 8-cylinder, 476 hp/350 kW	AMG SPEEDSHIFT MCT 7-speed auto. <sup>3</sup>	192	49,083.33	58,900.00	490.00	60,060.00	59,515.00	33
<b>Mercedes-AMG C 63 S</b> Petrol – 3,982 cc, 8-cylinder, 510 hp/375 kW	AMG SPEEDSHIFT MCT 7-speed auto. <sup>3</sup>	192	54,708.33	65,650.00	490.00	66,810.00	66,265.00	33

<sup>1</sup>A different first year rate of Vehicle Excise Duty (Road Fund Licence) applies for new cars. Please refer to page 80 for the relevant rate for the second and subsequent years

<sup>2</sup>Recommended on-the-road price: these prices reflect the Road Fund Licence applicable to the standard model plus £670.00 additional costs necessary to put your car on the road.

Included are a standard UK delivery charge (£540.00 incl. VAT), new vehicle registration fee (£55.00), number plates (£25.00 incl. VAT) and fuel (£50.00 incl. VAT). VAT is calculated at the standard rate of 20%

<sup>3</sup>With DIRECT SELECT and SPEEDTRONIC cruise control

<sup>4</sup>The C 350e currently qualifies for the Government's Plug-In Car Grant which can be deducted from the above recommended OTR price. This grant is provided by the UK Government's Office for Low Emission Vehicles (OLEV) and as such, is subject to change or removal in future depending on Government policy

[View offers](#)[> Saloon](#)[> Estate](#)[Book a test drive](#)[> Saloon](#)[> Estate](#)[> AMG](#)[> Find a Retailer](#)[> View the Range Guide](#)

12

## Model prices - Estate

Engine	Model line	Transmission	CO <sub>2</sub>	Basic RRP excl. VAT (£)	Total RRP incl. VAT (£)	Road Fund Licence (£) <sup>1</sup>	Rec. OTR price (£) <sup>2</sup>	P11D value (£)	BiK tax rate 2015/16 (%)
<b>C 200 d</b> Diesel - 1,598 cc, 4-cylinder, 136hp/100kW	SE	6-speed manual	109	24,925.00	29,910.00	0.00	30,580.00	30,525.00	19
		7G-TRONIC PLUS 7-speed automatic <sup>3</sup>	114	26,175.00	31,410.00	0.00	32,080.00	32,025.00	20
	Sport	6-speed manual	111	26,587.50	31,905.00	0.00	32,575.00	32,520.00	20
		7G-TRONIC PLUS 7-speed automatic <sup>3</sup>	114	27,837.50	33,405.00	0.00	34,075.00	34,020.00	20
	AMG Line	6-speed manual	117	27,833.33	33,400.00	0.00	34,070.00	34,015.00	21
		7G-TRONIC PLUS 7-speed automatic <sup>3</sup>	121	29,083.33	34,900.00	0.00	35,570.00	35,515.00	22
<b>C 220 d</b> Diesel - 2,143 cc, 4-cylinder, 170hp/125kW	SE	6-speed manual	108	25,587.50	30,705.00	0.00	31,375.00	31,320.00	19
		7G-TRONIC PLUS 7-speed automatic <sup>3</sup>	114	26,837.50	32,205.00	0.00	32,875.00	32,820.00	20
	Sport	6-speed manual	108	27,250.00	32,700.00	0.00	33,370.00	33,315.00	19
		7G-TRONIC PLUS 7-speed automatic <sup>3</sup>	114	28,500.00	34,200.00	0.00	34,870.00	34,815.00	20
	AMG Line	6-speed manual	113	28,495.83	34,195.00	0.00	34,865.00	34,810.00	20
		7G-TRONIC PLUS 7-speed automatic <sup>3</sup>	119	29,745.83	35,695.00	0.00	36,365.00	36,310.00	21
<b>C 250 d</b> Diesel - 2,143 cc, 4-cylinder, 204hp/150kW	SE	7G-TRONIC PLUS 7-speed automatic <sup>3</sup>	117	27,800.00	33,360.00	0.00	34,030.00	33,975.00	21
	Sport	7G-TRONIC PLUS 7-speed automatic <sup>3</sup>	117	29,462.50	35,355.00	0.00	36,025.00	35,970.00	21
	AMG Line	7G-TRONIC PLUS 7-speed automatic <sup>3</sup>	122	30,708.33	36,850.00	0.00	37,520.00	37,465.00	22
<b>C 300 h</b> Diesel - 2,143 cc, 4-cylinder, 204hp/150kW Electric motor - 27hp/20kW	Sport	7G-TRONIC PLUS 7-speed automatic <sup>3</sup>	99	31,637.50	37,965.00	0.00	38,635.00	38,580.00	14
	AMG Line	7G-TRONIC PLUS 7-speed automatic <sup>3</sup>	104	32,883.33	39,460.00	0.00	40,130.00	40,075.00	15

[View offers](#)

- > Saloon
- > Estate

[Book a test drive](#)

- > Saloon
- > Estate
- > AMG

[Find a Retailer](#)[View the Range Guide](#)

Model prices | Estate

13

Engine	Model line	Transmission	CO <sub>2</sub>	Basic RRP excl. VAT (£)	Total RRP incl. VAT (£)	Road Fund Licence (£) <sup>1</sup>	Rec. OTR price (£) <sup>2</sup>	P11D value (£)	BiK tax rate 2015/16 (%)
<b>C 200</b> Petrol – 1,991cc, 4-cylinder, 184 hp/135 kW	SE	6-speed manual	128	23,495.83	28,195.00	0.00	28,865.00	28,810.00	20
		7G-TRONIC PLUS 7-speed automatic <sup>3</sup>	128	24,745.83	29,695.00	0.00	30,365.00	30,310.00	20
	Sport	6-speed manual	128	25,158.33	30,190.00	0.00	30,860.00	30,805.00	20
		7G-TRONIC PLUS 7-speed automatic <sup>3</sup>	128	26,408.33	31,690.00	0.00	32,360.00	32,305.00	20
	AMG Line	6-speed manual	132	26,404.17	31,685.00	130.00	32,485.00	32,300.00	21
		7G-TRONIC PLUS 7-speed automatic <sup>3</sup>	138	27,654.17	33,185.00	130.00	33,985.00	33,800.00	22
<b>C 350e<sup>4</sup></b> Petrol – 1,991cc, 4-cylinder, 211 hp/155 kW Electric motor – 82 hp/60 kW	Sport	7G-TRONIC PLUS 7-speed automatic <sup>3</sup>	49	32,333.33	38,800.00	0.00	39,470.00	39,415.00	5

**Mercedes-AMG**

<b>Mercedes-AMG C 63</b> Petrol – 3,982 cc, 8-cylinder, 476 hp/350 kW	AMG SPEEDSHIFT MCT 7-speed auto. <sup>3</sup>	196	50,083.33	60,100.00	490.00	61,260.00	60,715.00	34
<b>Mercedes-AMG C 63 S</b> Petrol – 3,982 cc, 8-cylinder, 510 hp/375 kW	AMG SPEEDSHIFT MCT 7-speed auto. <sup>3</sup>	196	55,708.33	66,850.00	490.00	68,010.00	67,465.00	34

<sup>1</sup>A different first year rate of Vehicle Excise Duty (Road Fund Licence) applies for new cars. Please refer to page 80 for the relevant rate for the second and subsequent years

<sup>2</sup>Recommended on-the-road price: these prices reflect the Road Fund Licence applicable to the standard model plus £670.00 additional costs necessary to put your car on the road.

Included are a standard UK delivery charge (£540.00 incl. VAT), new vehicle registration fee (£55.00), number plates (£25.00 incl. VAT) and fuel (£50.00 incl. VAT). VAT is calculated at the standard rate of 20%

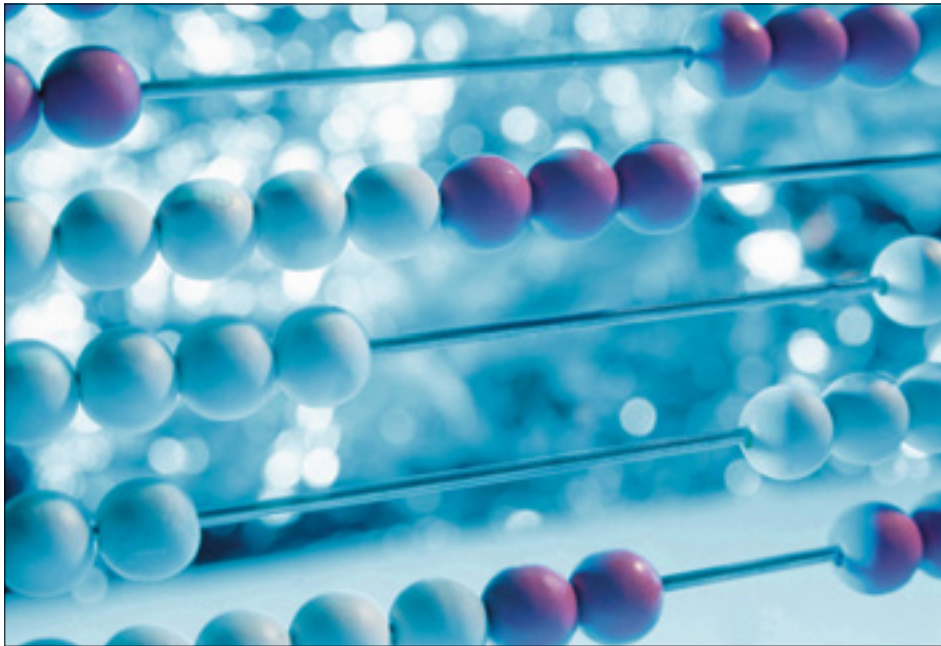
<sup>3</sup>With DIRECT SELECT and SPEEDTRONIC cruise control

<sup>4</sup>The C 350e currently qualifies for the Government's Plug-In Car Grant which can be deducted from the above recommended OTR price. This grant is provided by the UK Government's Office for Low Emission Vehicles (OLEV) and as such, is subject to change or removal in future depending on Government policy



# Mercedes-Benz Finance

As you'd expect with models of efficiency, the repayments aren't excessive



## C 200 Sport Saloon with optional metallic paint (representative example)

36 monthly payments of <sup>1</sup>	£319.00
On-the-road price	£30,305.00
Customer deposit	£3,999.00
Retailer deposit contribution	£3,396.21
Duration of agreement	36 months
Optional purchase payment <sup>2</sup>	£14,125.00
Purchase activation fee <sup>2</sup>	£10.00
Amount of credit	£22,909.79
Total amount payable <sup>3</sup>	£33,014.21
Representative APR	4.9% APR
Fixed interest rate	4.80%



View offers

- > Saloon
- > Estate



Book a test drive

- > Saloon
- > Estate
- > AMG



> Find a Retailer



> View the Range Guide

**Example offers –  
4.9% APR Representative**

	Metallic	On-the-road price	Retailer deposit contribution	Customer deposit	36 monthly payments of <sup>1</sup>
C 220 d Sport Saloon	○	£32,815.00	£3,396.21	£4,400.70	£349.00
C 220 d AMG Line Saloon	○	£34,310.00	£3,396.21	£4,608.29	£359.00

○ Optional equipment included in the price

### Mercedes-Benz Service Care

- Mercedes-Benz trained Technicians
- Maintained by Mercedes-Benz Retailers
- Meets requirements of Mercedes-Benz Agility finance agreement

### Mercedes-Benz Motor Insurance

- 24/7 UK accident recovery
- We use Mercedes-Benz GenuineParts
- To qualify for up to 10% discount online, go to [www.mercedes-benz.co.uk/motorinsurance](http://www.mercedes-benz.co.uk/motorinsurance)
- Alternatively, call Mercedes-Benz Motor Insurance now on **0345 600 2180<sup>4</sup>** for an annual quote

We may decline to quote in some circumstances. Mercedes-Benz Motor Insurance is underwritten by Aviva Insurance Limited

Whilst these offers are only available with Mercedes-Benz Finance, our Mercedes-Benz Retailers do arrange finance on behalf of other finance companies as well

Orders/credit approvals on selected C-Class Saloon models between 1 July and 30 September 2015, registered by 31 December 2015; excluding Mercedes-AMG C63 models. Some combinations of features/options may not be available.

Please contact your local Mercedes-Benz Retailer for availability

<sup>1</sup>Based on a Mercedes-Benz Agility agreement and 10,000 miles per annum. Vehicle condition, excess mileage and other charges may be payable. Quotations available on request for alternative contract lengths and mileages.

Guarantees and indemnities may be required. Terms and Conditions apply. Credit provided subject to status by Mercedes-Benz Financial Services UK Ltd, MK15 8BA

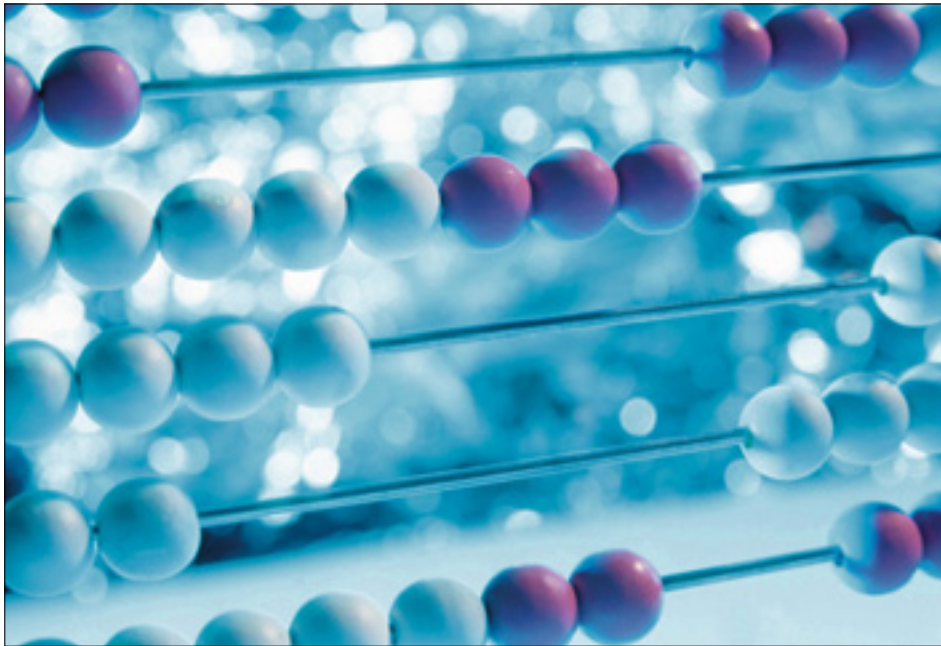
<sup>2</sup>Payable if you exercise the option to purchase the car. Guaranteed future value if you choose to hand back the vehicle at the end of the contract

<sup>3</sup>Includes optional purchase payment, purchase activation fee and Retailer deposit contribution <sup>4</sup>Calls are charged at local rate and may be recorded



# Mercedes-Benz Finance

It comes with a specification list worth exploring



## Mercedes-AMG C 63 Saloon with automatic transmission and optional metallic paint (representative example)

36 monthly payments of <sup>1</sup>	£749.00
On-the-road price	£60,705.00
Customer deposit	£7,499.00
Retailer deposit contribution	£2,040.77
Duration of agreement	36 months
Optional purchase payment <sup>2</sup>	£29,550.00
Purchase activation fee <sup>2</sup>	£10.00
Amount of credit	£51,165.23
Total amount payable <sup>3</sup>	£66,063.77
Representative APR	4.5% APR
Fixed interest rate	4.36%





View offers

- > Saloon
- > Estate



Book a test drive

- > Saloon
- > Estate
- > AMG



Find a Retailer



View the Range Guide

**Example offers –  
4.5% APR Representative**

	Automatic	Metallic	On-the-road price	Retailer deposit contribution	Customer deposit	36 monthly payments of <sup>1</sup>
Mercedes-AMG C63 Saloon	●	○	£60,705.00	£2,040.77	£7,499.00	£749.00

● Standard equipment ○ Optional equipment included in the price

### Mercedes-Benz Service Care

- Mercedes-Benz trained Technicians
- Maintained by Mercedes-Benz Retailers
- Meets requirements of Mercedes-Benz Agility finance agreement

### Mercedes-Benz Motor Insurance

- 24/7 UK accident recovery
- We use Mercedes-Benz GenuineParts
- To qualify for up to 10% discount online, go to [www.mercedes-benz.co.uk/motorinsurance](http://www.mercedes-benz.co.uk/motorinsurance)
- Alternatively, call Mercedes-Benz Motor Insurance now on **0345 600 2180<sup>4</sup>** for an annual quote

We may decline to quote in some circumstances. Mercedes-Benz Motor Insurance is underwritten by Aviva Insurance Limited

Whilst these offers are only available with Mercedes-Benz Finance, our Mercedes-Benz Retailers do arrange finance on behalf of other finance companies as well

Orders/credit approvals on Mercedes-AMG C 63 Saloon models between 1 July and 30 September 2015, registered by 31 December 2015; excluding non-AMG models. Some combinations of features/options may not be available.

Please contact your local Mercedes-Benz Retailer for availability

<sup>1</sup>Based on a Mercedes-Benz Agility agreement and 10,000 miles per annum. Vehicle condition, excess mileage and other charges may be payable. Quotations available on request for alternative contract lengths and mileages.

Guarantees and indemnities may be required. Terms and Conditions apply. Credit provided subject to status by Mercedes-Benz Financial Services UK Ltd, MK15 8BA

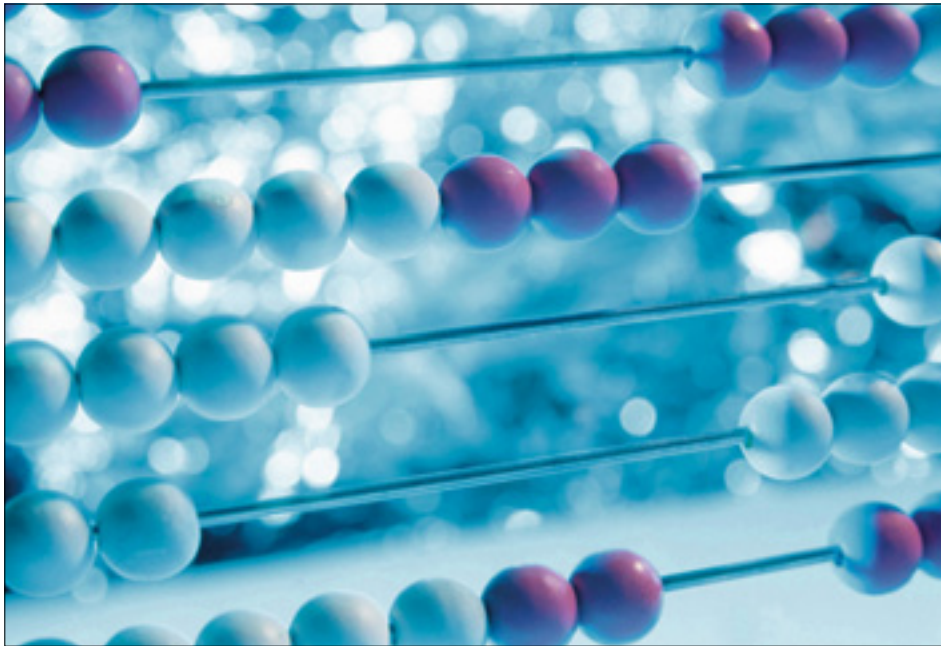
<sup>2</sup>Payable if you exercise the option to purchase the car. Guaranteed future value if you choose to hand back the vehicle at the end of the contract

<sup>3</sup>Includes optional purchase payment, purchase activation fee and Retailer deposit contribution <sup>4</sup>Calls are charged at local rate and may be recorded



# Mercedes-Benz Finance

As you'd expect with models of efficiency, the repayments aren't excessive



## C 200 Sport Estate with optional metallic paint (representative example)

36 monthly payments of <sup>1</sup>	£319.00
On-the-road price	£31,505.00
Customer deposit	£4,499.00
Retailer deposit contribution	£3,489.91
Duration of agreement	36 months
Optional purchase payment <sup>2</sup>	£14,825.00
Purchase activation fee <sup>2</sup>	£10.00
Amount of credit	£23,516.09
Total amount payable <sup>3</sup>	£34,307.91
Representative APR	4.9% APR
Fixed interest rate	4.80%



View offers

- > Saloon
- > Estate



Book a test drive

- > Saloon
- > Estate
- > AMG



Find a Retailer



View the Range Guide

**Example offers –  
4.9% APR Representative**

	Metallic	On-the-road price	Retailer deposit contribution	Customer deposit	36 monthly payments of <sup>1</sup>
C 220 d Sport Estate	○	£34,015.00	£3,489.91	£4,662.51	£349.00
C 220 d AMG Line Estate	○	£35,510.00	£3,489.91	£4,870.11	£359.00

○ Optional equipment included in the price

### Mercedes-Benz Service Care

- Mercedes-Benz trained Technicians
- Maintained by Mercedes-Benz Retailers
- Meets requirements of Mercedes-Benz Agility finance agreement

### Mercedes-Benz Motor Insurance

- 24/7 UK accident recovery
- We use Mercedes-Benz GenuineParts
- To qualify for up to 10% discount online, go to [www.mercedes-benz.co.uk/motorinsurance](http://www.mercedes-benz.co.uk/motorinsurance)
- Alternatively, call Mercedes-Benz Motor Insurance now on **0345 600 2180<sup>4</sup>** for an annual quote

We may decline to quote in some circumstances. Mercedes-Benz Motor Insurance is underwritten by Aviva Insurance Limited

Whilst these offers are only available with Mercedes-Benz Finance, our Mercedes-Benz Retailers do arrange finance on behalf of other finance companies as well

Orders/credit approvals on selected C-Class Estate models between 1 July and 30 September 2015, registered by 31 December 2015; excluding Mercedes-AMG C63 models. Some combinations of features/options may not be available.

Please contact your local Mercedes-Benz Retailer for availability

<sup>1</sup>Based on a Mercedes-Benz Agility agreement and 10,000 miles per annum. Vehicle condition, excess mileage and other charges may be payable. Quotations available on request for alternative contract lengths and mileages.

Guarantees and indemnities may be required. Terms and Conditions apply. Credit provided subject to status by Mercedes-Benz Financial Services UK Ltd, MK15 8BA

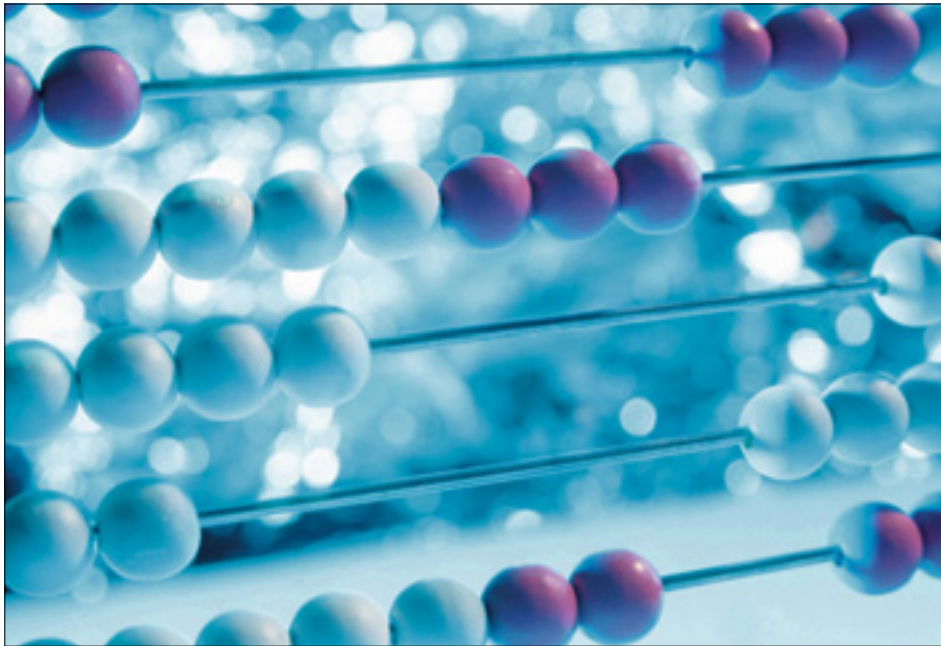
<sup>2</sup>Payable if you exercise the option to purchase the car. Guaranteed future value if you choose to hand back the vehicle at the end of the contract

<sup>3</sup>Includes optional purchase payment, purchase activation fee and Retailer deposit contribution <sup>4</sup>Calls are charged at local rate and may be recorded



# Mercedes-Benz Finance

It comes with a specification list worth exploring



## Mercedes-AMG C 63 Estate with automatic transmission and optional metallic paint (representative example)

36 monthly payments of <sup>1</sup>	£749.00
On-the-road price	£61,905.00
Customer deposit	£7,499.00
Retailer deposit contribution	£2,080.52
Duration of agreement	36 months
Optional purchase payment <sup>2</sup>	£30,575.00
Purchase activation fee <sup>2</sup>	£10.00
Amount of credit	£52,325.48
Total amount payable <sup>3</sup>	£67,128.52
Representative APR	4.2% APR
Fixed interest rate	4.14%



View offers

- > Saloon
- > Estate



Book a test drive

- > Saloon
- > Estate
- > AMG



Find a Retailer



View the Range Guide

### Example offers – 4.2% APR Representative

	Automatic	Metallic	On-the-road price	Retailer deposit contribution	Customer deposit	36 monthly payments of <sup>1</sup>
Mercedes-AMG C63 Estate	●	○	£61,905.00	£2,080.52	£7,499.00	£749.00

● Standard equipment ○ Optional equipment included in the price

### Mercedes-Benz Service Care

- Mercedes-Benz trained Technicians
- Maintained by Mercedes-Benz Retailers
- Meets requirements of Mercedes-Benz Agility finance agreement

### Mercedes-Benz Motor Insurance

- 24/7 UK accident recovery
- We use Mercedes-Benz GenuineParts
- To qualify for up to 10% discount online, go to [www.mercedes-benz.co.uk/motorinsurance](http://www.mercedes-benz.co.uk/motorinsurance)
- Alternatively, call Mercedes-Benz Motor Insurance now on **0345 600 2180<sup>4</sup>** for an annual quote

We may decline to quote in some circumstances. Mercedes-Benz Motor Insurance is underwritten by Aviva Insurance Limited

Whilst these offers are only available with Mercedes-Benz Finance, our Mercedes-Benz Retailers do arrange finance on behalf of other finance companies as well

Orders/credit approvals on Mercedes-AMG C 63 Estate models between 1 July and 30 September 2015, registered by 31 December 2015; excluding non-AMG models. Some combinations of features/options may not be available.

Please contact your local Mercedes-Benz Retailer for availability

<sup>1</sup>Based on a Mercedes-Benz Agility agreement and 10,000 miles per annum. Vehicle condition, excess mileage and other charges may be payable. Quotations available on request for alternative contract lengths and mileages.

Guarantees and indemnities may be required. Terms and Conditions apply. Credit provided subject to status by Mercedes-Benz Financial Services UK Ltd, MK15 8BA

<sup>2</sup>Payable if you exercise the option to purchase the car. Guaranteed future value if you choose to hand back the vehicle at the end of the contract

<sup>3</sup>Includes optional purchase payment, purchase activation fee and Retailer deposit contribution <sup>4</sup>Calls are charged at local rate and may be recorded



View offers  
➤ Saloon  
➤ Estate



Book a test drive  
➤ Saloon  
➤ Estate  
➤ AMG



➤ Find a Retailer



➤ View the Range Guide

22

## C-Class SE





View offers

- > Saloon
- > Estate



Book a test drive

- > Saloon
- > Estate
- > AMG



Find a Retailer



View the Range Guide

More dynamic, more stylish, more rewarding: the C-Class SE is stacked with high-end technology as standard, including a reversing camera, a multi-touch control touchpad and DYNAMIC SELECT, which allows you to choose between five individual driving modes: Comfort, ECO, Sport, Sport+

and Individual. In other words, the C-Class SE has everything to create true driving pleasure. To match the dynamic exterior, the SE is also fitted with black ARTICO leather<sup>1</sup> and high-gloss black trim for a stylish atmosphere inside the cabin.

### Exterior

16" alloy wheels – multi-spoke design
AGILITY CONTROL comfort suspension
COLLISION PREVENTION ASSIST PLUS
Direct-Steer speed-sensitive steering
DYNAMIC SELECT with a choice of five driving modes
EASY-PACK automatic powered tailgate (Estate only)
Headlamps – halogen with integral LED daytime running lamps
Rain-sensing windscreen wipers
Reversing camera
Roof rails – black (Estate only)
SPEEDTRONIC cruise control
Tyre pressure monitoring system

### Interior

Seat Comfort package – driver and front passenger seat Electro-pneumatic four-way lumbar support and manual seat cushion depth adjustment (6 cm)
Audio 20 CD with 7-inch colour display
Black steering wheel gearshift paddles (automatic transmission only)
DAB digital radio tuner
Double cup holder
Media Interface
Pre-wiring for Garmin® MAP PILOT navigation system
Rear seats – split folding 40:20:40 (Estate only)
Steering wheel – 3-spoke multi-function steering wheel, trimmed in leather
Touchpad with multi-touch control

### Trim and Upholstery

High-gloss black	Black ARTICO leather <sup>1</sup>
	

<sup>1</sup>Man-made leather



View offers  
 > Saloon  
 > Estate



Book a test drive  
 > Saloon  
 > Estate  
 > AMG



> Find a Retailer



> View the Range Guide

24

# C-Class Sport







View offers

- > Saloon
- > Estate



Book a test drive

- > Saloon
- > Estate
- > AMG



Find a Retailer



View the Range Guide

The Sport is fitted with 17" alloy wheels and LED High Performance Headlamps to emphasise the dynamic appearance of this C-Class. There's plenty of high tech to marvel at, too: heated front seats, Garmin® MAP PILOT navigation system and Active Parking Assist with PARKTRONIC are all standard. To complete the sport styling, choose between black, crystal grey or silk beige ARTICO leather<sup>1</sup> upholstery combined with the high-gloss centre console and brushed aluminium trim on the doors and dashboard.

**Sport upgrade** – designed and priced as a package, including all SE equipment plus additional items as listed below.

**Upgrade price (from SE)**

**Total incl. VAT<sup>2</sup> £1,995.00**

#### Exterior

Mirror package – electrically folding mirrors and automatically dimming exterior driver's mirror and rear-view mirror

17" alloy wheels – 5-twin-spoke design

Active Parking Assist with PARKTRONIC

AGILITY CONTROL comfort suspension – lowered by 15 mm

AIRMATIC suspension (C 350 e only)

Headlamps – LED High Performance Headlamps with integral LED daytime running lamps

Roof rails – chrome (Estate only)

#### Interior

Interior Lighting package – lighting of footwells, door handle recesses, as well as rear reading lamps (LED) and courtesy lamps in all doors

Black steering wheel gearshift paddles (automatic transmission only)

Garmin® MAP PILOT navigation system

Heated front seats

Sports seats in ARTICO leather<sup>1</sup>

Steering wheel – 3-spoke multi-function steering wheel in nappa leather with trim in silver chrome and perforated leather in grip area

#### Trim and Upholstery

High-gloss black with aluminium

Black ARTICO leather<sup>1</sup>

Crystal grey ARTICO leather<sup>1</sup>

Silk beige ARTICO leather<sup>1</sup>

<sup>1</sup>Man-made leather <sup>2</sup>Recommended Retail Price: this price will vary according to engine chosen, due to Road Fund Licence



View offers  
 > Saloon  
 > Estate



Book a test drive  
 > Saloon  
 > Estate  
 > AMG



> Find a Retailer



> View the Range Guide

26

## C-Class AMG Line





View offers

- > Saloon
- > Estate



Book a test drive

- > Saloon
- > Estate
- > AMG



Find a Retailer



View the Range Guide

Performance experts AMG have given the C-Class AMG Line an even sportier design edge, starting with AMG bodystyling and 18" AMG alloy wheels. The interior features AMG sports pedals in brushed stainless steel as well as AMG sports seats and an upper dashboard fitted with ARTICO leather<sup>1</sup> and contrast stitching. Sports suspension and Sports Direct-Steer system also come as standard on the AMG Line.

**AMG Line upgrade** – designed and priced as a package, including all Sport equipment plus additional items as listed below.

**Upgrade price (from Sport)**

**Total incl. VAT<sup>2</sup> £1,495.00**

#### Exterior

18" AMG alloy wheels – 5-spoke design, painted titanium grey

AMG bodystyling – front apron, rear apron and side skirts

Sports braking system with perforated front brake discs

Sports Direct-Steer system with speed-sensitive steering

Sports suspension

ARTICO leather<sup>1</sup> upper dashboard with contrast stitching

Floor mats – black with ‘AMG’ lettering

Silver steering wheel gearshift paddles (automatic transmission only)

Steering wheel – 3-spoke multi-function AMG steering wheel in black nappa leather with flattened bottom section, chrome inserts and perforated leather in grip area

#### Interior

AMG sports pedals in brushed stainless steel with rubber studs

AMG sports seats in ARTICO leather<sup>1</sup>

#### Trim and Upholstery

High-gloss black with aluminium

Black ARTICO leather<sup>1</sup>



<sup>1</sup>Man-made leather <sup>2</sup>Recommended Retail Price: this price will vary according to engine chosen, due to Road Fund Licence



View offers  
 > Saloon  
 > Estate



Book a test drive  
 > Saloon  
 > Estate  
 > AMG



> Find a Retailer



> View the Range Guide

## Standard equipment - C 350 e



AIRMATIC suspension



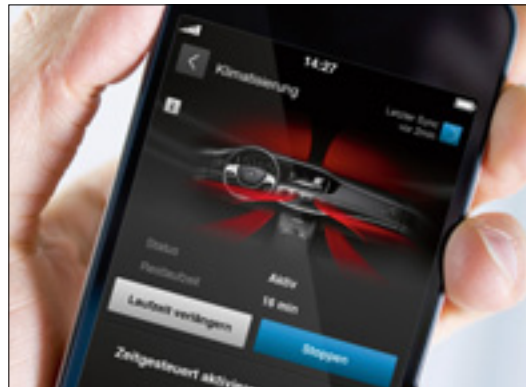
Plug-in charging port in rear bumper



Mode 2 and mode 3 charging cables included



Driving and operating mode selection



Pre-entry climate control, part of Mercedes connect me services



Visible twin-pipe exhaust trim integrated into rear bumper



View offers

- > Saloon
- > Estate



Book a test drive

- > Saloon
- > Estate
- > AMG



Find a Retailer



View the Range Guide

Standard equipment

29

Item	SE	Sport	C 350 e Sport	AMG Line
<b>Steering and Suspension</b>				
AGILITY CONTROL comfort suspension	●	-	-	-
AGILITY CONTROL comfort suspension – lowered by 15 mm	-	●	-	-
AGILITY CONTROL sports suspension – lowered by 15 mm	-	-	-	●
AIRMATIC suspension	-	-	●	-
DYNAMIC SELECT with a choice of driving modes (Comfort, ECO, Sport, Sport+, Individual)	●	●	●	●
ECO start/stop function	●	●	●	●
Steering – Comfort Direct-Steer system with speed sensitive steering (C 300 h)	●	●	●	-
Steering – Direct-Steer speed sensitive steering	●	●	-	-
Steering – Sports Direct-Steer system with speed sensitive steering	-	-	-	●
Steering wheel gearshift paddles (automatic transmission only)	●	●	●	●
<b>Exterior</b>				
Mirror package – electrically folding mirrors and automatically dimming exterior driver's mirror and rear-view mirror	-	●	●	●
50-litre fuel tank (C 300 h)	●	●	●	●
66-litre fuel tank (all except C 300 h)	●	●	-	●

Item	SE	Sport	C 350 e Sport	AMG Line
Active Parking Assist with PARKTRONIC	△	●	●	●
AMG bodystyling – front apron, rear apron and side skirts	-	-	-	●
Charging cable for household socket (mode 2) – 4 m, 8 A	-	-	●	-
Charging cable for wallbox and public charging stations (mode 3) – 4 m, 16 A	-	-	●	-
Diesel Particulate Filter (DPF) – all diesel engines	●	●	-	●
EASY PACK automatic powered tailgate (Estate only)	●	●	●	●
Exterior mirrors – heated and electronically adjustable	●	●	●	●
Headlamps – halogen with integral LED daytime running lamps	●	-	-	-
Headlamps – LED High Performance Headlamps with integral LED daytime running lamps	-	●	●	●
Heated windscreen wash	●	●	●	●
Perforated front brake discs and brake calipers with 'Mercedes-Benz' lettering	-	-	-	●
Radiator grille with integrated star – two louvres in matt iridium silver	●	-	-	-
Radiator grille with integrated star – two louvres in matt iridium silver with chrome trim	-	●	●	●
Rain-sensing windscreen wipers	●	●	●	●
Reversing camera	●	●	●	●



View offers

- > Saloon
- > Estate



Book a test drive

- > Saloon
- > Estate
- > AMG



Find a Retailer



View the Range Guide

Item	SE	Sport	C 350 e Sport	AMG Line
<b>Exterior (continued)</b>				
Roof rails – black (Estate only)	●	-	-	-
Roof rails – chrome (Estate only)	△	●	●	●
Tail lamps – full LED	-	●	●	●
Tail lamps – partial LED	●	-	-	-
Tinted glass all round – green	●	●	●	●
TIREFIT with tyre inflation compressor	●	●	●	●
Top surround of side windows in matt black	●	-	-	-
Top surround of side windows in polished aluminium	-	●	●	●
Visible twin-pipe exhaust trim integrated into rear bumper	-	-	●	●
<b>Interior</b>				
Interior Lighting package – lighting of footwells, door handle recesses, as well as rear reading lights (LED) and courtesy lights in all doors	-	●	●	●
Seat Comfort package – driver and front passenger seat Electro-pneumatic four-way lumbar support Manual seat cushion depth adjustment (6 cm)	●	●	●	●
Stowage package – including luggage net in boot and folding box under luggage compartment floor (not available on C 300 h)	●	●	-	●
AMG sports seats	-	-	-	●

Item	SE	Sport	C 350 e Sport	AMG Line
ARTICO leather <sup>1</sup> upper dashboard with contrast stitching	-	-	-	●
Electric windows (4) – one-touch opening and closing, including obstruction sensors	●	●	●	●
Electronic key – chrome surround	●	●	●	●
Double cup holder in centre console	●	●	●	●
Floor mats – black with ‘AMG’ lettering	-	-	-	●
Front seats – electrical height and back adjustment	●	●	●	●
Front centre armrest with stowage compartment	●	●	●	●
Front door sill panels with ‘Mercedes-Benz’ lettering	●	●	●	●
Gear lever and gear lever gaiter in nappa leather (manual transmission only)	-	●	-	●
Gear lever with insert in high-gloss black and gear lever gaiter in ARTICO leather <sup>1</sup> (manual transmission only)	●	-	-	-
Glove compartment – illuminated	●	●	●	●
Haptic accelerator pedal	-	-	●	-
Heated front seats	△	●	●	●
Instrument cluster with two tube-design round dials and 5.5-inch TFT multi-function display	●	●	●	●
Load compartment cover (Estate only)	●	●	●	●



View offers

➤ Saloon

➤ Estate



Book a test drive

➤ Saloon

➤ Estate

➤ AMG



➤ Find a Retailer



➤ View the Range Guide

Standard equipment

31

Item	SE	Sport	C 350 e Sport	AMG Line
<b>Interior (continued)</b>				
Multi-function steering wheel – controls audio and onboard settings	●	●	●	●
Outside temperature display	●	●	●	●
Rear seats – split folding 40:20:40 (Estate)	●	●	●	●
Rear seats – split folding 40:20:40 (Saloon)	△	●	●	●
Service indicator ASSYST	●	●	●	●
Sports pedals in brushed stainless steel with rubber studs	–	–	–	●
Sports seats	–	●	●	–
Steering column – manually adjustable for height and reach	●	●	●	●
Steering wheel – 3-spoke multi-function steering wheel, trimmed in leather	●	–	–	–
Steering wheel – 3-spoke multi-function steering wheel in nappa leather with trim in silver chrome and perforated leather in grip area	–	●	●	–
Steering wheel – 3-spoke multi-function AMG steering wheel in black nappa leather with flattened bottom section and chrome inserts and perforated leather in grip area	–	–	–	●
Sun visors with illuminated vanity mirrors	–	●	●	●
THERMATIC – automatic climate control, two zone	●	●	●	●

Item	SE	Sport	C 350 e Sport	AMG Line
<b>Paint, Trim and Upholstery</b>				
Non-metallic paint	●	●	●	●
Trim – high-gloss black	●	–	–	–
Trim – high-gloss black with aluminium door trims	–	●	●	●
Upholstery – ARTICO leather <sup>1</sup>	●	●	●	●
<b>Security and Safety</b>				
Active bonnet – pedestrian safety measure which detects an impact and raises bonnet	●	●	●	●
Adaptive brake lamps	●	●	●	●
ADAPTIVE BRAKE system with HOLD function and brake-drying function	●	●	●	●
Alarm system with immobiliser and interior protection	●	●	●	●
Anti-lock braking system (ABS)	●	●	●	●
ATTENTION ASSIST – can help alert to long journey fatigue	●	●	●	●
Automatic child seat recognition sensor	●	●	●	●
Central locking with interior switch, automatic locking and crash sensor with emergency opening function	●	●	●	●



View offers

- › Saloon
- › Estate



Book a test drive

- › Saloon
- › Estate
- › AMG



Find a Retailer



View the Range Guide




Item	SE	Sport	C 350 e Sport	AMG Line
<b>Security and Safety (continued)</b>				
Childproof locks – manually operated for rear doors and electrically operated for rear power windows	●	●	●	●
COLLISION PREVENTION ASSIST PLUS	●	●	●	●
Dual-stage airbags – driver and front passenger; sidebags in front seats; driver kneebag; pelvis bag and windowbags for driver, front passenger and rear passengers	●	●	●	●
Electric parking brake	●	●	●	●
Electronic Stability Programme (ESP®)	●	●	●	●
First-aid kit and warning triangle	●	●	●	●
ISOFIX child seat attachment points with top tether in rear	●	●	●	●
Remote boot release	●	●	●	●
Status display in instrument cluster for rear seat belts	●	●	●	●
SPEEDTRONIC cruise control with variable speed limiter	●	●	●	●
Tyre pressure monitoring system	●	●	●	●

Item	SE	Sport	C 350 e Sport	AMG Line
<b>Communication and In-Car Entertainment</b>				
Audio 20 CD including touchpad with integrated Media Interface and Bluetooth® interface with hands-free function	●	●	●	●
DAB digital radio tuner	●	●	●	●
Garmin® MAP PILOT navigation system Operation via controller, touchpad or voice control. SD card navigation with instructions shown on 7-inch high-resolution colour display and in the instrument cluster. Includes 3D views with visualisation of roads and buildings as well as junction and lane assistants, making it easy for drivers to orientate themselves. Spoken instructions are emitted through vehicle's built-in speakers. Software and map can be updated online	△	●	●	●
High-resolution 7-inch multimedia colour display	●	●	●	●
Mercedes connect me (standard services) Including emergency call system (eCall), accident recovery, breakdown and maintenance management	●	●	●	●
Pre-wiring for Garmin® MAP PILOT navigation system	●	●	●	●
Radio aerial integrated into rear window	●	●	●	●
Speakers with Frontbass	●	●	●	●
Two USB ports and an SD card slot in centre console	●	●	●	●








# A revolution in style

Item	Notes		SE	Sport	C 350 e Sport	AMG Line	Mercedes-AMG C 63	Mercedes-AMG C 63 S	Basic RRP excl. VAT (£)	Total RRP incl. VAT (£)
Wheels										
16" alloy wheels (4) – multi-spoke design 205/60 tyres			70R	●	-	-	-	-	-	-
17" alloy wheels (4) – 5-twin-spoke design 225/50 tyres			R11	○	-	-	-	-		no-cost option
17" alloy wheels (4) – 5-twin-spoke design 225/50 tyres			R48	-	●	-	-	-	-	-



Item	Notes									Basic RRP excl. VAT (£)	Total RRP incl. VAT (£)
Wheels (continued)			R52	SE	Sport	C 350 e Sport	AMG Line	Mercedes-AMG C63	Mercedes-AMG C63 S		
17" alloy wheels (4) – 5-twin-spoke design, front: 225/50 tyres rear: 245/45 tyres			-	-	●	-	-	-	-	-	-
18" alloy wheels (4) – 5-spoke design, painted titanium grey front: 225/45 tyres rear: 245/40 tyres			22R	-	-	○	-	-	-	495.83	595.00
18" AMG alloy wheels (4) – 5-spoke design, painted titanium grey front: 225/45 tyres rear: 245/40 tyres			782	-	-	-	●	-	-	-	-



View offers

- > Saloon
- > Estate



Book a test drive




- > Saloon
- > Estate
- > AMG



Find a Retailer



View the Range Guide

Item	Notes		SE	Sport	C 350 e Sport	AMG Line	Mercedes-AMG C 63	Mercedes-AMG C 63 S	Basic RRP excl. VAT (£)	Total RRP incl. VAT (£)	
<b>Wheels (continued)</b>											
19" AMG alloy wheels (4) – multi-spoke design, painted titanium grey front: 225/40 tyres rear: 255/35 tyres			788	-	-	-	○	-	-	495.83	595.00
18" AMG alloy wheels (4) – 5-twin-spoke design, painted titanium grey front: 245/40 rear: 265/40			790	-	-	-	-	●	-	-	-
19" AMG alloy wheels (4) – 5-twin-spoke design, painted titanium grey front: 245/35 tyres rear: 265/35 tyres	With red brake calipers on Mercedes-AMG C 63 S only		793	-	-	-	-	○	-	495.83	595.00
								●	-	-	-



View offers

> Saloon

> Estate



Book a test drive

> Saloon

> Estate



> AMG



> Find a Retailer



> View the Range Guide

Item	Notes		SE	Sport	C 350 e Sport	AMG Line	Mercedes-AMG C63	Mercedes-AMG C63 S	Basic RRP excl. VAT (£)	Total RRP incl. VAT (£)	
<b>Wheels (continued)</b>											
19" AMG alloy wheels (4) – forged cross-spoke design, painted titanium grey front: 245/35 tyres rear: 265/35 tyres	With red brake calipers on Mercedes-AMG C 63 S only		770	-	-	-	-	○	-	1,875.00	2,250.00
							-	○		1,133.33	1,360.00
19" AMG alloy wheels (4) – forged cross-spoke design, painted matt black front: 245/35 tyres rear: 265/35 tyres	With red brake calipers on Mercedes-AMG C 63 S only		662	-	-	-	-	○	-	2,083.33	2,500.00
							-	○		1,445.83	1,735.00



View offers

- > Saloon
- > Estate



Book a test drive

- > Saloon
- > Estate
- > AMG



Find a Retailer



View the Range Guide

# Executive package



Garmin® MAP PILOT navigation system

The Executive package is designed exclusively for the SE, to let you enjoy each journey that little bit more. It includes the highly sophisticated Garmin® MAP PILOT navigation system, heated front seats and either split-folding rear seats (Saloon) or chrome roof rails (Estate).

**Executive package** – designed and priced as a package, including items as listed below.

**SE only**

**Total incl. VAT £1,295.00**

**Executive package** (code DP3)

Active Parking Assist with PARKTRONIC

Garmin® MAP PILOT navigation system

Operation via controller, touchpad or voice control. SD card navigation with instructions shown on 7-inch high-resolution colour display in the instrument cluster. Includes 3D views with visualisation of roads and buildings as well as junction and lane assistants, making it easy for drivers to orientate themselves. Spoken instructions are emitted through vehicle's built-in speakers. Software and map can be updated online

Heated front seats

Rear seats – split folding 40:20:40 (Saloon only)

Roof rails – chrome (Estate only)



View offers

- > Saloon
- > Estate



Book a test drive

- > Saloon
- > Estate
- > AMG



Find a Retailer



View the Range Guide

# Premium and Premium Plus packages



Panoramic glass sunroof



KEYLESS-GO Comfort package



Burmester® surround sound system controls



Ambient lighting



Memory package



COMAND Online system



View offers

> Saloon

> Estate



Book a test drive

> Saloon

> Estate

> AMG



> Find a Retailer



> View the Range Guide

Why not look over our equipment packages to enhance and personalise your choice of new car? If you want to increase your comfort and add the best in entertainment to the Sport and AMG Line, the Premium packages do just that. The Premium package features ambient lighting; the KEYLESS-GO Comfort package for effortless entry, exit and starting; the Memory package for the front seats; and a panoramic glass sunroof to brighten up the cabin.

The Premium Plus package contains the same features as the Premium package, plus the highly sophisticated Burmester® surround sound system and COMAND Online with an 8.4-inch high-resolution colour display, navigation with 3D map display and internet connectivity. Both the Premium and Premium Plus packages are only available with automatic transmission.

Item	Notes	Premium	Premium Plus
		£1,595.00 <sup>1,2</sup> (code DP0)	£2,795.00 <sup>1,2</sup> (code DP1)
Ambient lighting	LED lighting located in door trim, side of centre console, front door sills, cup holders, footwells, door handle recesses and overhead panel. Five dimming levels and three colours: solar (amber), polar (ice blue) and neutral (white)	■	■
KEYLESS-GO Comfort package	Offering hands-free access, automatic powered boot closing, keyless entry and keyless start. Includes chrome trim on top half of door handles	■	■
Memory package	Driver's seat, front passenger seat, steering column and exterior mirrors – electrically adjustable with memory	■	■
Panoramic glass sunroof	Consisting of a fixed panoramic glass rear section and an electrically operated sliding glass front section, the glass roof provides additional light and ventilation into the car	■	■
Burmester® surround sound system	13 speakers and a 9-channel amplifier with total output of 590 W (7 × 50 W and 2 × 120 W)	–	■
COMAND Online system	8.4-inch high-resolution colour display, hard disk drive (HDD) navigation with 3D map display, Live Traffic Information and European map data updates free of charge for the first three years. Single CD/DVD, Speed Limit Assist and LINGUATRONIC voice control. Mercedes connect me services, emergency call system (eCall) and access to internet sites when vehicle is stationary, plus unrestricted use of Mercedes-Benz apps (internet-enabled mobile phone required). Integrated WLAN hotspot for onboard access of WLAN-enabled devices. Also includes 10 GB music register and MP3 compatibility	–	■



## Pricing summary for Executive, Premium and Premium Plus packages

Model	Transmission	Recommended OTR price (£) <sup>1</sup>							
		SE	SE Executive	Sport	Sport Premium	Sport Premium Plus	AMG Line	AMG Line Premium	AMG Line Premium Plus
<b>C 200 d</b>	6-speed manual	29,380.00	30,675.00	31,375.00	-	-	32,870.00	-	-
	7G-TRONIC PLUS 7-speed automatic	30,880.00	32,175.00	32,875.00	34,470.00	35,670.00	34,370.00	35,965.00	37,165.00
<b>C 220 d</b>	6-speed manual	30,175.00	31,470.00	32,170.00	-	-	33,665.00	-	-
	7G-TRONIC PLUS 7-speed automatic	31,675.00	32,970.00	33,670.00	35,265.00	36,465.00	35,165.00	36,760.00	37,960.00
<b>C 250 d</b>	7G-TRONIC PLUS 7-speed automatic	32,830.00	34,125.00	34,825.00	36,420.00	37,620.00	36,320.00	37,915.00	39,115.00
<b>C 300 h</b>	7G-TRONIC PLUS 7-speed automatic	35,440.00	36,735.00	37,435.00	39,030.00	40,230.00	38,930.00	40,525.00	41,725.00
<b>C 200</b>	6-speed manual	27,665.00	28,960.00	29,660.00	-	-	31,285.00	-	-
	7G-TRONIC PLUS 7-speed automatic	29,165.00	30,460.00	31,160.00	32,755.00	33,955.00	32,785.00	34,380.00	35,580.00
<b>C 350 e<sup>3</sup></b>	7G-TRONIC PLUS 7-speed automatic	-	-	38,270.00	39,865.00	41,065.00	-	-	-





View offers

> Saloon

> Estate



Book a test drive

> Saloon

> Estate

> AMG



> Find a Retailer



> View the Range Guide

Pricing summary for Executive, Premium and Premium Plus packages

Model	Transmission	Recommended OTR price (£) <sup>1</sup>							
		SE	SE Executive	Sport	Sport Premium <sup>2</sup>	Sport Premium Plus <sup>2</sup>	AMG Line	AMG Line Premium	AMG Line Premium Plus
<b>C 200 d</b>	6-speed manual	30,580.00	31,875.00	32,575.00	-	-	34,070.00	-	-
	7G-TRONIC PLUS 7-speed automatic	32,080.00	33,375.00	34,075.00	35,670.00	36,870.00	35,570.00	37,165.00	38,365.00
<b>C 220 d</b>	6-speed manual	31,375.00	32,670.00	33,370.00	-	-	34,865.00	-	-
	7G-TRONIC PLUS 7-speed automatic	32,875.00	34,170.00	34,870.00	36,465.00	37,665.00	36,365.00	37,960.00	39,160.00
<b>C 250 d</b>	7G-TRONIC PLUS 7-speed automatic	34,030.00	35,325.00	36,025.00	37,620.00	38,820.00	37,520.00	39,115.00	40,315.00
<b>C 300 h</b>	7G-TRONIC PLUS 7-speed automatic	-	-	38,635.00	40,230.00	41,430.00	40,130.00	41,725.00	42,925.00
<b>C 200</b>	6-speed manual	28,865.00	30,160.00	30,860.00	-	-	32,485.00	-	-
	7G-TRONIC PLUS 7-speed automatic	30,365.00	31,660.00	32,360.00	33,955.00	35,155.00	33,985.00	35,580.00	36,780.00
<b>C 350 e<sup>3</sup></b>	7G-TRONIC PLUS 7-speed automatic	-	-	39,470.00	41,660.00	42,860.00	-	-	-

<sup>1</sup>Recommended on-the-road price: these prices reflect the Road Fund Licence applicable to the standard model plus £670.00 additional costs necessary to put your car on the road.

Included are a standard UK delivery charge (£540.00 incl. VAT), new vehicle registration fee (£55.00), number plates (£25.00 incl. VAT) and fuel (£50.00 incl. VAT). VAT is calculated at the standard rate of 20%

<sup>2</sup>For C 350 e Sport Estate OTR price includes additional cost of £595.00 for 18" alloy wheels (code 22R)

<sup>3</sup>The C 350 e currently qualifies for the Government's Plug-In Car Grant which can be deducted from the above recommended OTR price. This grant is provided by the UK Government's Office for Low Emission Vehicles (OLEV) and as such, is subject to change or removal in future depending on Government policy



View offers

- > Saloon
- > Estate



Book a test drive

- > Saloon
- > Estate
- > AMG



Find a Retailer



View the Range Guide

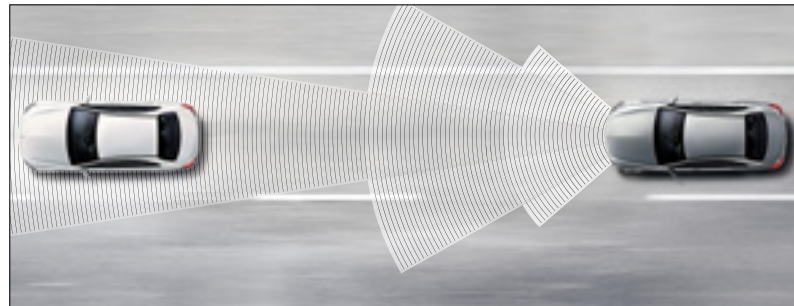
# Driving Assistance package

The Driving Assistance package contains a range of highly intelligent features to help you stay safe on the road – by making the drive more effortless, by warning of danger, and by taking steps to protect you in an emergency. It includes Blind Spot Assist, DISTRONIC PLUS, Lane Keeping Assist and the PRE-SAFE® anticipatory safety system.

**Driving Assistance package** – designed and priced as a package, including items as listed.

**Sport and AMG Line: only available with automatic transmission**

**Total incl. VAT £1,695.00**



DISTRONIC PLUS

---

### Driving Assistance package (code DP2)

---

#### Active Blind Spot Assist

Displays a warning light in the exterior mirrors if another vehicle is detected in the blind spot. If a lane change is attempted with another vehicle in the blind spot, the system warns the driver and helps prevent an imminent collision by one-sided braking intervention

---

#### Active Lane Keeping Assist

Detects signs of inadvertent drifting out of lane and warns the driver by vibrating the steering wheel and, if necessary, triggers one-sided braking intervention

---

#### BAS PLUS with Cross-Traffic Assist

If a critical situation is recognised and the driver applies the brakes, BAS PLUS can increase the brake pressure according to the situation, ideally preventing a collision with other vehicles or pedestrians

---

#### DISTRONIC PLUS with Steering Assist and Stop&Go Pilot

DISTRONIC PLUS is a radar assisted cruise control that helps the driver to maintain a safe distance from the vehicle ahead, even when braking to a stand-still. Steering Assist tracks road markings and the path of the vehicle ahead to keep the vehicle on track

---

#### PRE-SAFE® Brake with pedestrian detection

When the danger of a collision with another vehicle or a pedestrian is recognised, PRE-SAFE® Brake gives the driver a visual and acoustic warning. If there is no reaction, the system can reduce the vehicle speed autonomously – right up to full emergency braking

---

#### PRE-SAFE® PLUS

Initiates occupant prevention measures if a rear-end collision is imminent, including activating the hazard lights, reversible belt tensioning, adjustment of passenger seat positions and closure of windows

---



View offers

- > Saloon
- > Estate



Book a test drive

- > Saloon
- > Estate
- > AMG



Find a Retailer



View the Range Guide

# Optional equipment

Item	Notes		SE	Sport	C 350e Sport	AMG Line	Basic RRP excl. VAT (£)	Total RRP incl. VAT (£)
<b>Suspension</b>								
AIRMATIC Agility package Enhances the ability to tailor the driving experience by combining suspension set-up with each of the driving modes accessed via the DYNAMIC SELECT switch Self-levelling suspension Suspension can be raised by 25 mm to increase ground clearance and automatically lowers by up to 15 mm at high speeds to help reduce aerodynamic drag and improve handling stability Variable damper control, which optimises damping at each wheel to suit the speed and road conditions		483	-	○	●	○	745.83	895.00
<b>Exterior</b>								
360° camera Four networked cameras in front grille, wing mirrors and boot capture a 360° bird's-eye view of vehicle's immediate surroundings		501	-	○	○	○	279.17	335.00
Charging cable for household socket (mode 2) – 8 m, 8 A	Replaces standard charging cable for household socket (mode 2) – 4 m, 8 A	B81	-	-	○	-		no-cost option
Charging cable for wall box and public charging stations (mode 3) – 8 m, 16 A	Replaces standard charging cable for wallbox and public charging stations (mode 3) – 4 m, 16 A	B83	-	-	○	-		no-cost option
Charging cable industrial socket-PIN IEC 60309 CEE (mode 2) – 4 m, 8 A	In addition to standard charging cables	B32	-	-	○	-	312.50	375.00
Charging cable industrial socket-PIN IEC 60309 CEE (mode 2) – 8 m, 8 A	In addition to standard charging cables	B82	-	-	○	-	312.50	375.00

● Standard ○ Optional - Not available



View offers

➤ Saloon

➤ Estate

Book a  
test drive

➤ Saloon

➤ Estate

➤ AMG



➤ Find a Retailer



➤ View the Range Guide

44

## Optional equipment

Item	Notes		SE	Sport	C 350e Sport	AMG Line	Basic RRP excl. VAT (£)	Total RRP incl. VAT (£)
<b>Exterior (continued)</b>								
Headlamps – LED Intelligent Light System LED High Performance Headlamps, including Active Light System, cornering light function and Adaptive Highbeam Assist		641	-	○	○	○	454.17	545.00
Panoramic glass sunroof Consisting of a fixed panoramic glass rear section and electrically operated sliding glass front section	Included with Premium package (code DP0) and Premium Plus package (code DP1). On C 350 e Estate only in conjunction with 18" alloy wheels (code 22R)	413	-	○	○	○	750.00	900.00
Privacy glass Includes side windows rear of B-pillar and rear windscreen		840	○	○	○	○	220.83	265.00
Tow bar, manually folding – includes 13-pin socket When ordering, please discuss with your Retailer any specific electrical towing requirements	Excludes 7-pin adapter. Not available on C 300h SE Saloon. When ordered with Premium package (code DP0) or Premium Plus package (code DP1) hands-free access (code 871) is removed. On C 350 e Estate only in conjunction with 18" alloy wheels (code 22R)	550	○	○	○	○	625.00	750.00
<b>Paint, Trim and Upholstery</b>								
Metallic paint		-	○	○	○	○	537.50	645.00
Metallic paint – designo diamond white		799	○	○	○	○	704.17	845.00
Metallic paint – designo hyacinth red	Please check with your Retailer for availability	996	○	○	○	○	704.17	845.00
Trim – black ash wood		736	-	-	-	○	162.50	195.00
Trim – burr walnut wood	Only available with silk beige upholsteries (code 115A and 215A)	H09 731	-	○	○	-	162.50	195.00
Trim – dark brown ash wood		H09	-	○	○	○	162.50	195.00
Upholstery – leather		-	-	○	○	○	662.50	795.00

● Standard ○ Optional - Not available



View offers

> Saloon

> Estate



Book a test drive

> Saloon

> Estate

> AMG



> Find a Retailer



> View the Range Guide

Optional equipment

45

Item	Notes		SE	Sport	C 350e Sport	AMG Line	Basic RRP excl. VAT (£)	Total RRP incl. VAT (£)
<b>Comfort</b>								
AIR-BALANCE package Interior fragrance dispenser. Fragrance can be changed by exchanging the flasks in the glove compartment. Intensity and duration of fragrance diffusion can be adjusted. Oxygen ionisation and improved filtering system		P21	-	<input type="radio"/>	<input type="radio"/>	<input type="radio"/>	291.67	350.00
<b>Communications and In-Car Entertainment</b>								
Head-up display Virtual colour image (21×7 cm) showing driver-related information, such as vehicle speed, directly into the driver's field of vision		463	-	<input type="radio"/>	<input type="radio"/>	<input type="radio"/>	687.50	825.00
Mercedes connect me (Remote Online) Onboard use of the remote and location services, e.g. geographic vehicle monitoring, vehicle location, remote door locking and unlocking, remote interrogation of vehicle status. Remote Online subscription services are limited to three years from initial registration, and can be extended at additional cost	Standard in conjunction with Premium Plus package (code DP1)	05U	<input type="radio"/>	<input type="radio"/>	<input type="radio"/>	<input type="radio"/>	125.00	150.00



View offers  
➤ Saloon  
➤ Estate



Book a test drive  
➤ Saloon  
➤ Estate  
➤ AMG



➤ Find a Retailer



➤ View the Range Guide

46

## Mercedes-AMG C 63



Optional brilliant blue metallic paint (code 896) and Driving Assistance package (code DP2)



View offers

- > Saloon
- > Estate



Book a test drive

- > Saloon
- > Estate
- > AMG



Find a Retailer



View the Range Guide

The Mercedes-AMG C 63 combines race-honed technology with dramatic and highly individual style. Its sporty lines are made even more eye-catching by the AMG-specific grille, an AMG-specific bonnet with powerdomes, and AMG bodystyling comprising front and rear aprons plus side skirts. The AMG sports exhaust system's two sets of twin tailpipes provide a further clue to the power of the exhilarating V8 engine. 18" 5-spoke AMG alloy wheels painted in titanium grey and featuring a high-sheen finish come as standard.

### Exterior

- 18" AMG 5-spoke alloy wheels, painted titanium grey with high-sheen finish
- AMG bodystyling - front apron and splitter in body colour, bonnet, side skirts, fenders and rear diffuser-style apron design
- AMG boot lid spoiler in body colour
- AMG mechanical rear axle differential lock
- Anti-lock braking system (ABS)
- Brake calipers - silver
- Headlamps - LED High Performance Headlamps with integral LED daytime running lamps
- SPEEDTRONIC cruise control with variable speed limiter
- 'V8 BITURBO' lettering on front wings

Stylish, sporty and highly exclusive, the interior of the Mercedes-AMG C 63 feels instantly special. Its supportive AMG sports seats are upholstered in nappa leather. The flat-rimmed AMG steering wheel features tactile nappa leather, and there's an ergonomic AMG-specific instrument panel with colour display and AMG start-up screen. Eye-catching brushed stainless steel sports pedals also come as standard.

### Interior

- Ambient lighting - five dimming levels and three colours
- AMG instrument cluster
- AMG sports seats with nappa leather upholstery
- Load compartment cover (Estate only)
- Rear seats - split folding 40:20:40
- Seat belts - black
- Steering wheel - 3-spoke multi-function AMG performance steering wheel in nappa leather

### Trim and Upholstery

- |                                |                            |
|--------------------------------|----------------------------|
| High-gloss back with aluminium | Nappa leather - black      |
| Nappa leather - platinum white | Nappa leather - red pepper |



View offers

- > Saloon
- > Estate



Book a test drive

- > Saloon
- > Estate
- > AMG



Find a Retailer



View the Range Guide

48

# Mercedes-AMG C 63 S



Optional LED Intelligent Light System (code 641), designo diamond white metallic paint (code 799) and Driving Assistance package (code DP2)





View offers

- > Saloon
- > Estate



Book a test drive

- > Saloon
- > Estate
- > AMG



Find a Retailer



View the Range Guide

The Mercedes-AMG C 63 S is an even more dynamic, expressive and exclusive version of the Mercedes-AMG C 63. The excellent performance and agility of the AMG 4-litre V8 engine have been uprated by 34 hp to achieve a further enhancement to acceleration. The special dynamism of

the Mercedes-AMG C 63 S is also reflected in sporty exterior and interior highlights – from the 19" AMG 5-twin-spoke alloy wheels painted in titanium grey, to the AMG Performance seats and AMG performance steering wheel in black nappa leather/DINAMICA microfibre.





### Exterior

- 19" AMG 5-twin-spoke alloy wheels, painted titanium grey with high-sheen finish
- AMG bodystyling – front apron in high-gloss black with splitter in silver shadow, bonnet, side skirts, fenders and rear diffuser-style apron design
- AMG boot lid spoiler in body colour
- AMG electronic rear axle differential lock
- Anti-lock braking system (ABS)
- Brake calipers – red
- Headlamps – LED High Performance Headlamps with integral LED daytime running lamps
- SPEEDTRONIC cruise control with variable speed limiter
- 'V8 BITURBO' lettering on front wings

### Interior

- AMG instrument cluster
- AMG Performance seats
- Ambient lighting – five dimming levels and three colours
- Load compartment cover (Estate only)
- Mercedes-AMG C 63 S badging at the rear
- Rear seats – split folding 40:20:40
- Seat belts – crystal grey
- Steering wheel – multi-function AMG performance steering wheel in black nappa leather/DINAMICA microfibre

### Trim and Upholstery

- |  |   |
|--|---|
| High-gloss black with aluminium  | Nappa leather – black   |
|  |  |
| Nappa leather – platinum white   | Nappa leather – red pepper  |
|  |  |



View offers

- > Saloon
- > Estate



Book a test drive

- > Saloon
- > Estate
- > AMG



Find a Retailer



View the Range Guide

50

# AMG standard equipment

Item	Mercedes-AMG C 63	Mercedes-AMG C 63 S
<b>Transmission and Suspension</b>		
AMG mechanical rear axle differential lock	●	-
AMG electronic rear axle differential lock	-	●
AMG RIDE CONTROL sports suspension	●	●
AMG SPEEDSHIFT MCT 7-speed automatic sports transmission, steering wheel gearshift paddles, SPEEDTRONIC cruise control and RACE START function	●	●
ECO start/stop function	●	●
<b>Packages</b>		
Interior Lighting package Lighting of footwells, door handle recesses, as well as rear reading lamps (LED) and courtesy lamps in all doors	●	●
Memory package Driver's seat, front passenger seat, steering column and exterior mirrors – electrically adjustable with memory	●	●
Mirror package Electrically folding mirrors and automatically dimming exterior driver's mirror and rear-view mirror	●	●
Stowage package Including luggage net in boot and folding box under luggage compartment floor	●	●

Item	Mercedes-AMG C 63	Mercedes-AMG C 63 S
<b>Exterior</b>		
AMG bodystyling – comprising front apron, bonnet, side skirts, fenders and rear diffuser-style apron design	●	●
AMG bonnet with powerdomes	●	●
AMG boot lid spoiler in body colour	●	●
AMG sports exhaust system with two twin tailpipes	●	●
66-litre fuel tank	●	●
Active Parking Assist with PARKTRONIC	●	●
Brake calipers – red	-	●
Brake calipers – silver	●	-
EASY-PACK automatic powered tailgate (Estate only)	●	●
Heated windscreen wash	●	●
Headlamps – LED High Performance Headlamps with integral LED daytime running lamps	●	●
Rain-sensing windscreen wipers	●	●
Reversing camera	●	●
Roof rails – chrome (Estate only)	●	●

● Standard ○ Optional - Not available



View offers

> Saloon

> Estate



Book a test drive

> Saloon

> Estate

> AMG



> Find a Retailer



> View the Range Guide

Item	Mercedes-AMG C 63	Mercedes-AMG C 63 S
<b>Exterior (continued)</b>		
Tail lamps - full LED	●	●
Tinted glass all round - green	●	●
TIREFIT with tyre inflation compressor	●	●
Top surround of side windows in polished aluminium	●	●
'V8 BITURBO' lettering on front wings	●	●
<b>Interior</b>		
Ambient lighting LED lighting located in door trim, side of centre console, front door sills, cup holders, footwells, door handle recesses and overhead panel. Five dimming levels and three colours: solar (amber), polar (ice blue) and neutral (white)	●	●
AMG instrument cluster	●	●
AMG Performance seats	○	●
Automatically dimming rear view mirror and driver's exterior mirror	●	●
Centre armrest - front, with stowage	●	●
Double cup holder in centre console	●	●

Item	Mercedes-AMG C 63	Mercedes-AMG C 63 S
Electric windows (4) - one-touch opening and closing, including obstruction sensors	●	●
Electronic key - chrome surround	●	●
Floor mats - black with 'AMG' lettering	●	●
Front seats - heated	●	●
Glove compartment - illuminated	●	●
Load compartment cover (Estate only)	●	●
Outside temperature gauge	●	●
Rear seats - split folding 40:20:40	●	●
Seat belts - black	●	-
Seat belts - crystal grey	-	●
Service indicator ASSYST	●	●
Sports pedals - stainless steel with rubber studs	●	●
Steering wheel - 3-spoke multi-function AMG performance steering wheel in black nappa leather/DINAMICA microfibre - controls audio and onboard settings	-	●
Steering wheel - 3-spoke multi-function AMG steering wheel in black nappa leather - controls audio and onboard settings	●	-



View offers

> Saloon

> Estate



Book a test drive

> Saloon

> Estate

> AMG



> Find a Retailer



> View the Range Guide

Item	Mercedes-AMG C 63	Mercedes-AMG C 63 S
<b>Interior (continued)</b>		
Sun visors with illuminated vanity mirrors	●	●
THERMATIC – automatic climate control, two-zone, independently adjustable for driver and front passenger	●	●
<b>Paint, Trim and Upholstery</b>		
AMG upholstery – black nappa leather	●	●
Non-metallic paint	●	●
Trim – high-gloss black with aluminium door trims	●	●

Item	Mercedes-AMG C 63	Mercedes-AMG C 63 S
<b>Security and Safety</b>		
Active bonnet	●	●
ADAPTIVE BRAKE system with HOLD function and brake-drying function	●	●
Adaptive brake lamps	●	●
Alarm system with immobiliser and interior protection	●	●
AMG high-performance braking system	●	●
Anti-lock braking system (ABS)	●	●
ATTENTION ASSIST – can help alert to long journey fatigue	●	●
Automatic child seat recognition sensor	●	●
Central locking with interior switch, automatic locking and crash sensor with emergency opening function	●	●
Childproof locks – manually operated for rear doors and electrically operated for rear power windows	●	●
COLLISION PREVENTION ASSIST PLUS	●	●
Dual-stage airbags – driver and front passenger; sidebags in front seats; driver kneebag; pelvis bag and windowbags for driver, front passenger and rear passengers	●	●



View offers

➤ Saloon

➤ Estate



Book a test drive

➤ Saloon

➤ Estate

➤ AMG



➤ Find a Retailer



➤ View the Range Guide

Item	Mercedes-AMG C 63	Mercedes-AMG C 63 S
<b>Security and Safety (continued)</b>		
Electronic parking brake	●	●
Electronic Stability Programme (ESP®)	●	●
First-aid kit and warning triangle	●	●
ISOFIX child seat attachment points with top tether in rear	●	●
Remote boot release	●	●
SPEEDTRONIC cruise control with variable speed limiter	●	●
Status display in instrument cluster for rear seat belts	●	●
Tyre pressure monitoring system	●	●

Item	Mercedes-AMG C 63	Mercedes-AMG C 63 S
<b>Communications and In-Car Entertainment</b>		
Bluetooth® interface for hands-free telephony	●	●
DAB digital radio tuner	●	●
COMAND Online system Hard disk drive (HDD) navigation with 3D map display, Live Traffic Information and European map data updates free of charge for the first three years. Single CD/DVD, Speed Limit Assist and LINGUATRONIC voice control. Access to internet sites when vehicle is stationary, plus unrestricted use of Mercedes-Benz apps (internet-enabled mobile phone required). Integrated WLAN hotspot for onboard access of WLAN-enabled devices. Also includes 10 GB music register and MP3 compatibility	●	●
High-resolution 8.4-inch multimedia colour display	●	●
Mercedes connect me (standard services) Including emergency call system (eCall), accident recovery, breakdown management and maintenance management	●	●
Mercedes connect me (Remote Online) Onboard use of the remote and location services, e.g. geographic vehicle monitoring, vehicle location, remote door locking and unlocking, remote interrogation of vehicle status. Remote Online subscription services are limited to three years from initial registration, and can be extended at additional cost	●	●
Radio aerial integrated into rear window	●	●
Speakers with Frontbass	●	●
Two USB ports and SD card slot in centre console	●	●



View offers

- > Saloon
- > Estate



Book a test drive

- > Saloon
- > Estate
- > AMG



Find a Retailer



View the Range Guide

54

## Premium package



Panoramic glass sunroof



Burmester® surround sound system



KEYLESS-GO Comfort package



LED Intelligent Light System



View offers

- > Saloon
- > Estate



Book a test drive

- > Saloon
- > Estate
- > AMG



Find a Retailer



View the Range Guide

If you want to increase your comfort and add the best in entertainment to the Mercedes-AMG C 63/S Saloon or Estate, the Premium package does just that. Designed and priced as a package, including items listed below.

Item	Notes	Premium £2,595.00 <sup>1</sup> (code DPO)
Exclusive package	ARTICO leather <sup>2</sup> dashboard and door beltlines in nappa leather look with contrast stitching	■
KEYLESS-GO Comfort package	Including hands-free access, automatic powered boot closing, keyless entry and keyless start. Includes chrome trim on top half of door handles	■
Burmester® surround sound system	13 speakers and a 9-channel amplifier with total output of 590 W (7 × 50 W and 2 × 120 W)	■
LED Intelligent Light System	LED High Performance Headlamps, including Active Light System, cornering light function and Adaptive Highbeam Assist	■
Panoramic electric sunroof	Consisting of a fixed panoramic glass rear section and electrically operated sliding glass front section	■



View offers

- > Saloon
- > Estate



Book a test drive

- > Saloon
- > Estate
- > AMG



Find a Retailer



View the Range Guide

56

## Pricing summary for Premium package

Model	Transmission	Recommended OTR price (£) <sup>1</sup>	
		Mercedes-AMG	Mercedes-AMG Premium
<b>Saloon</b>			
Mercedes-AMG C 63	AMG SPEEDSHIFT MCT 7-speed automatic	60,060.00	62,655.00
Mercedes-AMG C 63 S	AMG SPEEDSHIFT MCT 7-speed automatic	66,810.00	69,405.00
<b>Estate</b>			
Mercedes-AMG C 63	AMG SPEEDSHIFT MCT 7-speed automatic	61,260.00	63,855.00
Mercedes-AMG C 63 S	AMG SPEEDSHIFT MCT 7-speed automatic	68,010.00	70,605.00

<sup>1</sup>Recommended on-the-road price: these prices reflect the Road Fund Licence applicable to the standard model plus £670.00 additional costs necessary to put your car on the road. Included are a standard UK delivery charge (£540.00 incl. VAT), new vehicle registration fee (£55.00), number plates (£25.00 incl. VAT) and fuel (£50.00 incl. VAT). VAT is calculated at the standard rate of 20%





View offers

- > Saloon
- > Estate



Book a test drive

- > Saloon
- > Estate
- > AMG



Find a Retailer



View the Range Guide

# Driving Assistance package

The Driving Assistance package contains a range of highly intelligent features to help you stay safe on the road – by making the drive more effortless, by warning of danger, and by taking steps to protect you in an emergency. It includes Blind Spot Assist, DISTRONIC PLUS, Lane Keeping Assist and the PRE-SAFE® anticipatory safety system.

**Driving Assistance package** – designed and priced as a package, including items as listed.

**Mercedes-AMG C 63/S**

**Total incl. VAT £1,695.00**

## Driving Assistance package (code DP2)

### Active Blind Spot Assist

Displays a warning light in the exterior mirrors if another vehicle is detected in the blind spot. If a lane change is attempted with another vehicle in the blind spot, the system warns the driver and helps prevent an imminent collision by one-sided braking intervention

### Active Lane Keeping Assist

Detects signs of inadvertent drifting out of lane and warns the driver by vibrating the steering wheel and, if necessary, triggers one-sided braking intervention

### BAS PLUS with Cross-Traffic Assist

If a critical situation is recognised and the driver applies the brakes, BAS PLUS can increase the brake pressure according to the situation, ideally preventing a collision with other vehicles or pedestrians

### DISTRONIC PLUS with Steering Assist and Stop&Go Pilot

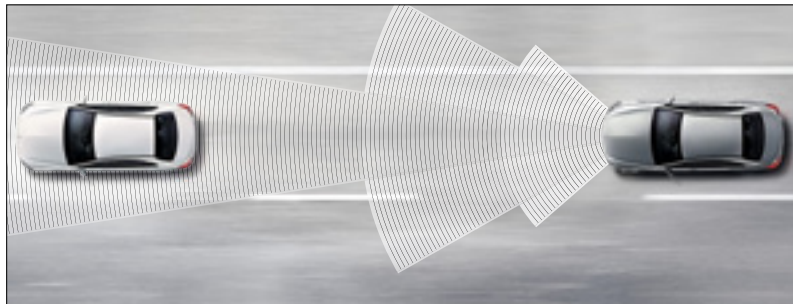
DISTRONIC PLUS is a radar assisted cruise control that helps the driver to maintain a safe distance from the vehicle ahead, even when braking to a stand-still. Steering Assist tracks road markings and the path of the vehicle ahead to keep the vehicle on track

### PRE-SAFE® Brake with pedestrian detection

When the danger of a collision with another vehicle or a pedestrian is recognised, PRE-SAFE® Brake gives the driver a visual and acoustic warning. If there is no reaction, the system can reduce the vehicle speed autonomously – right up to full emergency braking

### PRE-SAFE® PLUS

Initiates occupant prevention measures if a rear-end collision is imminent, including activating the hazard lights, reversible belt tensioning, adjustment of passenger seat positions and closure of windows



DISTRONIC PLUS



View offers

- > Saloon
- > Estate



Book a test drive

- > Saloon
- > Estate
- > AMG



Find a Retailer



View the Range Guide

# Mercedes-AMG optional equipment

Item	Notes			Basic RRP excl. VAT (£)	Total RRP incl. VAT (£)
		Mercedes-AMG C 63	Mercedes-AMG C 63 S		
<b>AMG Performance Studio</b>					
AMG Driver's package Attendance at an AMG 'Power & Passion' driving event Increase to the electronically limited top speed (180 mph)		250	○ -	2,295.83	<b>2,755.00</b>
			- ○	637.50	<b>765.00</b>
AMG Exterior Carbon Fibre package 1 Front apron in carbon fibre Insert in rear apron Side sill panels with carbon fibre inserts		773	○ ○	2,808.33	<b>3,370.00</b>
AMG Exterior Carbon Fibre package 2 AMG boot lid spoiler (Saloon only) Exterior mirror housings		B28	○ ○	1,050.00	<b>1,260.00</b>
AMG Interior Carbon Fibre Trim package		H73	○ ○	583.33	<b>700.00</b>
AMG Night package AMG exhaust system with two black chrome-plated twin tailpipe trim elements AMG side sill panel inserts in high-gloss black Beltline trim strip and window surround in high-gloss black Exterior mirror housings in high-gloss black Front apron in high-gloss black Privacy glass Rear apron trim strip in high-gloss black Roof rails in black (Estate only)		P60	○ ○	487.50	<b>585.00</b>



View offers

> Saloon

> Estate



Book a test drive

> Saloon

> Estate

> AMG



> Find a Retailer



> View the Range Guide

Item	Notes			Basic RRP excl. VAT (£)	Total RRP incl. VAT (£)
		Mercedes-AMG C 63	Mercedes-AMG C 63 S		
<b>AMG Performance Studio (continued)</b>					
AMG exhaust system Control button in centre console Sound characteristics tailored to transmission mode Two additional exhaust flaps		U78	○ ○	833.33	1,000.00
AMG high-performance ceramic composite braking system		B07	- ○	3,570.83	4,285.00
AMG Performance seats Cushion depth adjustment Pneumatically adjustable seat side bolsters Steep seat angle & optimum lateral support for dynamic driving		555	○ ●	1,170.83	1,405.00
<b>Paint, Trim and Upholstery</b>					
Metallic paint		-	○ ○	537.50	645.00
Metallic paint – designo diamond white		799	○ ○	704.17	845.00
Metallic paint – designo hyacinth red	Please check with your Retailer for availability	996	○ ○	704.17	845.00
Trim – black ash wood		736	○ ○	162.50	195.00
Upholstery – platinum white		851A	○ ○		no-cost option
Upholstery – red pepper		857A	○ ○		no-cost option



View offers

- > Saloon
- > Estate



Book a test drive

- > Saloon
- > Estate
- > AMG



Find a Retailer



View the Range Guide

Item	Notes	Mercedes-AMG C 63		Basic RRP excl. VAT (£)	Total RRP incl. VAT (£)
		Mercedes-AMG C 63	Mercedes-AMG C 63 S		
<b>Exterior</b>					
360° camera Four networked cameras in front grille, wing mirrors and boot capture a 360° bird's-eye view of vehicle's immediate surroundings		501	<input type="radio"/>	279.17	335.00
Headlamps - LED Intelligent Light System LED High Performance Headlamps, including Active Light System, cornering light function and Adaptive Highbeam Assist	Included in Premium package (code DP0)	641	<input type="radio"/>	457.17	545.00
Privacy glass Includes side windows rear of B-pillar and rear windscreen	Included in AMG Night package (code P60)	840	<input type="radio"/>	220.83	265.00
<b>Comfort</b>					
AIR-BALANCE package - adjustable fragrancing with four different scents Fragrance generator with perfume flask in glove compartment Improved filter system between intake and distribution system Oxygen ioniser in side air duct		P21	<input type="radio"/>	291.67	350.00
Head-up display Virtual colour image (21×7cm) showing information such as vehicle speed directly in driver's field of vision		463	<input type="radio"/>	687.50	825.00



View offers

- > Saloon
- > Estate



Book a test drive

- > Saloon
- > Estate
- > AMG



> Find a Retailer



> View the Range Guide

Item	Notes				Basic RRP excl. VAT (£)	Total RRP incl. VAT (£)
<b>Service Package</b>						
Service Care Service Care allows you to spread the cost of servicing your new car in the Mercedes-Benz Retailer network. Taking out a Service Care plan ensures your servicing needs are taken care of by fully trained Mercedes-Benz Technicians with the added benefit of a Mercedes-Benz service history	Price is based on a monthly rate. Example given is for two services taken over 24 months, three services over 36 months or four services over 48 months. Further payment options are available. New Service Care prices apply only to vehicles up to 12 months old prior to first service		○	○	33.33	40.00

Mercedes-AMG C 63  
Mercedes-AMG C 63 S



View offers

- > Saloon
- > Estate



Book a test drive

- > Saloon
- > Estate
- > AMG



> Find a Retailer



> View the Range Guide

62

## Genuine Accessories

We've developed a range of Accessories you can add to help personalise and enhance your choice of the C-Class. Whether sporty or elegant, the design is perfectly adapted to your Mercedes-Benz. Your local Mercedes-Benz Retailer can advise on fitting costs of Accessories, where applicable. Further information on our selection of Genuine Accessories can be found on the Mercedes-Benz UK website.



### 01 | Shallow boot tub

The boot tub is suitable for transporting shopping. The tub shape with its slightly raised edge is precision-tailored to the load area. Made from impact-resistant, non-slip polypropylene.

Basic RRP £72.50 (excl. VAT) **Total RRP £87.00 (incl. VAT)**

### 02 | Stowage crate

A secure hold for items which are prone to tip over or slide around, e.g. shopping bags. Adjustable partitioning elements allow crate to be divided into max. four sections. Optimum functionality only in conjunction with shallow boot tub.

Basic RRP £71.67 (excl. VAT) **Total RRP £86.00 (incl. VAT)**



View offers

> Saloon

> Estate



Book a test drive

> Saloon

> Estate

> AMG



> Find a Retailer



> View the Range Guide

Genuine Accessories

63



03



04

### 03 | All-season floor mats

Robust, washable synthetic material, designed for heavy use. Latest design with recessed areas and raised edge. With distinctive Mercedes-Benz star logo.

**Front:** Basic RRP £50.00 (excl. VAT) **Total RRP £60.00 (incl. VAT)**

**Rear:** Basic RRP £26.67 (excl. VAT) **Total RRP £32.00 (incl. VAT)**

### 04 | DUO Plus child seat, with ISOFIX and automatic child seat recognition

Optimum safety for children between the ages of around 8 months and 4 years (9 to 18kg). Fitted as standard with top tether, an additional belt for securing the head section, a height-adjustable harness, ventilation channels and ISOFIX attachment points. With automatic child seat recognition. Adjustable tilt. Also available for ages 0+ (1 to 13 kg) and 3.5 to 12 years (15 to 36 kg).

Basic RRP £432.38 (excl. VAT) **Total RRP £454.00 (incl. VAT)**



05

### 05 | Concertina load sill protector

Protects the rear of the car from scratches when you're loading the vehicle and prevents dirt from the car from getting onto your clothes. Practical design – can be connected to shallow boot tub.

Basic RRP £33.33 (excl. VAT) **Total RRP £40.00 (incl. VAT)**



View offers

- > Saloon
- > Estate



Book a test drive

- > Saloon
- > Estate
- > AMG



Find a Retailer



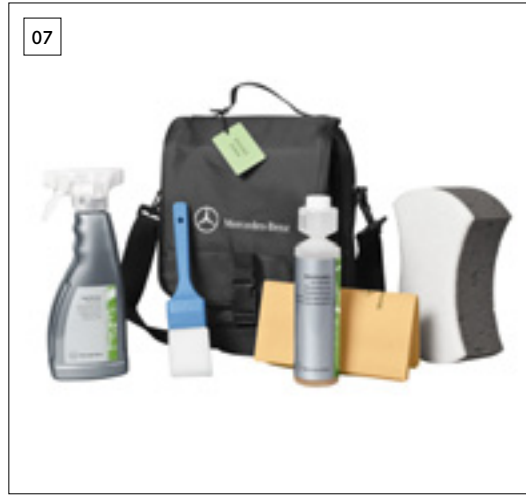
View the Range Guide



**06 | Coat hanger, on head restraint, chrome/black metal**

It's easy to arrive looking smart: the sturdy coat hanger allows you to hang up items of clothing on board. Rounded ends protect the fabric. Easy to secure in place behind the head restraint and to remove.

Basic RRP £28.33 (excl. VAT) **Total RRP £34.00 (incl. VAT)**



**07 | Exterior Car Care Kit**

The Mercedes-Benz Exterior Car Care Kit is a four-piece collection to keep the exterior of your car looking like it's come straight from the showroom. The bag contains car shampoo, wheel cleaner, sponge and polishing cloth.

Basic RRP £20.83 (excl. VAT) **Total RRP £25.00 (incl. VAT)**



**08 | Interior Car Care Kit**

The Mercedes-Benz Interior Car Care Kit is a four-piece collection enabling you to maintain the spotless showroom finish inside your car. The bag contains cabin care spray, interior glass cleaner, interior glass sponge and car cloth.

Basic RRP £20.83 (excl. VAT) **Total RRP £25.00 (incl. VAT)**





View offers

> Saloon

> Estate



Book a test drive

> Saloon

> Estate

> AMG



> Find a Retailer



> View the Range Guide

### 09 | Mercedes-Benz roof box, 400 litres

Multi-purpose box. Compact length, impressive amount of space. Capacity approx. 400 litres. Opens on both sides. Single lock system. Gas-filled struts for easy opening and closing of lid. Maximum load capacity 75 kg. Available in silver or metallic black.

Basic RRP £341.67 (excl. VAT) **Total RRP £410.00 (incl. VAT)**



### 10 | Carrier bars for roof rails

Quick-fastening basic carrier bars for roof rails – no tools required. Multifunctional basis for all Mercedes-Benz transport and leisure accessories such as roof boxes, bicycle racks and ski racks. Locking plastic caps help prevent theft.

Basic RRP £182.50 (excl. VAT) **Total RRP £219.00 (incl. VAT)**





View offers

- > Saloon
- > Estate



Book a test drive

- > Saloon
- > Estate
- > AMG



Find a Retailer

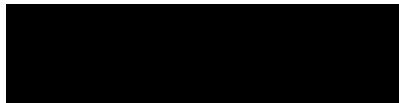


View the Range Guide

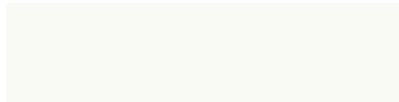
# Colours and materials

## Non-metallic paints

Standard



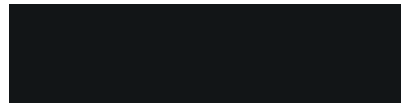
040 black<sup>1</sup>



149 polar white

## Metallic paints

Optional



197 obsidian black



890 cavansite blue<sup>1</sup>



755 tenorite grey<sup>1</sup>



896 brilliant blue<sup>2</sup>



775 iridium silver



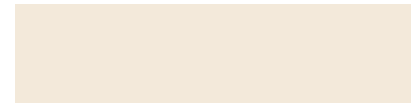
988 diamond silver<sup>1</sup>



792 palladium silver

## Special metallic paints

Additional-cost option



799 designo diamond white



996 designo hyacinth red

Please note that, owing to limitations of the printing process, paint colours may differ from those shown

<sup>1</sup>Not available on Mercedes-AMG C 63/S

<sup>2</sup>Only available on Estate, C300h Saloon and all C350e and Mercedes-AMG C 63/S models



View offers

> Saloon

> Estate



Book a test drive

> Saloon

> Estate

> AMG



> Find a Retailer



> View the Range Guide

**SE upholstery**

ARTICO leather<sup>1</sup> (standard)



131A black

**Sport upholstery**

ARTICO leather<sup>1</sup> (standard) Leather (optional)



101A black



201A black



115A silk beige



215A silk beige



118A crystal grey



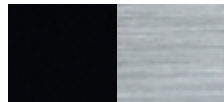
218A crystal grey

**SE trim (standard)**



H80 high-gloss black

**Sport trim (standard)**



739 high-gloss black with aluminium

**Sport trim (optional)**



731 burr walnut wood<sup>4,5</sup>



H09 dark brown ash wood<sup>5</sup>

**AMG Line upholstery**

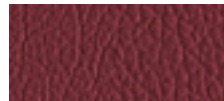
ARTICO leather<sup>1</sup> (standard) Leather (optional)



141A black



251A black

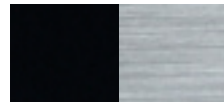


267A cranberry red



268A crystal grey

**AMG Line trim (standard)**



739 high-gloss black with aluminium

**AMG Line trim (optional)**



H09 dark brown ash wood<sup>5</sup>



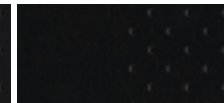
736 black ash wood<sup>5</sup>

**Mercedes-AMG C63/S upholstery**

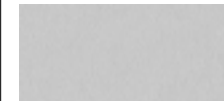
Nappa leather (standard)



801A<sup>2</sup> black



811A<sup>3</sup> black

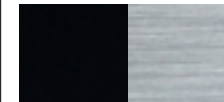


851A platinum white

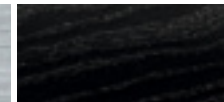


857A red pepper

**Mercedes-AMG C63/S trim**



739 high-gloss black with aluminium (standard)



736 black ash wood (optional)<sup>5</sup>



H73 AMG carbon fibre (optional)<sup>5</sup>

<sup>1</sup>Man-made leather <sup>2</sup>Mercedes-AMG C 63 <sup>3</sup>Mercedes-AMG C 63 S <sup>4</sup>Only available with silk beige upholsteries (code 115A and 215A)

<sup>5</sup>All wood trims and AMG carbon-fibre trim in conjunction with automatic transmission will feature an analogue clock in the centre console



# Trim and upholstery combinations

	SE	Sport			AMG Line	Mercedes-AMG C 63/S		
	ARTICO leather <sup>1</sup>	ARTICO leather <sup>1</sup>			ARTICO leather <sup>1</sup>	Nappa leather		
	black (131A)	black (101A)	silk beige (115A)	crystal grey (118A)	black (141A)	black (801A/811A)	platinum white (851A)	red pepper (857A)
<b>Dashboard</b>								
Steering wheel	black	black	black	black	black	black	black	black
Upper dashboard trim	black	black	black	black	black	black	black	black
Lower dashboard trim	black	black	silk beige	black	black	black	black	black
<b>Seats</b>								
Seat cushion centre section	black	black	silk beige	crystal grey	black	black	platinum white	red pepper
Side bolster trim	black	black	silk beige	crystal grey	black	black	black	black
Head restraint	black	black	silk beige	crystal grey	black	black	black	black
Seat belt	black	black	black	black	black	black (crystal grey)	black (crystal grey)	black
<b>Doors</b>								
Door trim at beltline	black	black	black	black	black	black (crystal grey <sup>2</sup> )	black (platinum white)	black (red pepper)
Door centre panel	black	black	silk beige	crystal grey	black	black	black	black
<b>Roof lining</b>	crystal grey	crystal grey	porcelain	crystal grey	black	black	black	black
<b>Floor covering</b>								
Front and rear	black	black	black	black	black	black	black	black

<sup>1</sup>Man-made leather <sup>2</sup>DINAMICA microfibre



# Combination options

		ARTICO leather <sup>1</sup> SE, Sport and AMG Line <sup>2</sup> (standard)			Leather SE, Sport and AMG Line (optional)				Nappa leather Mercedes-AMG C 63/S (standard)		
		black	silk beige	crystal grey	black	silk beige	crystal grey	cranberry red	black	platinum white	red pepper
<b>Non-metallic paints (standard)</b>											
	040 black <sup>3</sup>	●	●	●	●	●	●	●	-	-	-
	149 polar white	●	○	●	●	○	●	●	●	●	●
<b>Metallic paints (optional)</b>											
	197 obsidian black	●	●	●	●	●	●	●	●	●	●
	755 tenorite grey <sup>3</sup>	●	△	●	●	△	○	●	-	-	-
	775 iridium silver	●	△	●	●	△	●	●	●	●	●
	792 palladium silver	●	△	○	●	△	○	●	●	○	○
	890 cavansite blue <sup>3</sup>	●	○	●	●	○	●	△	-	-	-
	896 brilliant blue <sup>4</sup>	●	○	●	●	○	●	△	●	○	○
	988 diamond silver <sup>3</sup>	●	△	○	●	△	○	●	-	-	-
<b>Special metallic paints (additional-cost option)</b>											
	799 designo diamond white	●	○	●	●	○	●	●	●	●	●
	996 designo hyacinth red	●	○	●	●	○	●	●	●	○	○

● Recommended ○ Possible △ Not recommended - Not available Please note that, owing to limitations of the printing process, paint colours may differ from those shown

<sup>1</sup> Man-made leather <sup>2</sup> In conjunction with AMG Line, only black ARTICO leather is available <sup>3</sup> Not available on Mercedes-AMG C 63/S <sup>4</sup> Only available on Estate, C 300h Saloon and all C 350 e and Mercedes-AMG C 63/S models



View offers

> Saloon

> Estate



Book a test drive

> Saloon

> Estate

> AMG



> Find a Retailer



> View the Range Guide

# Technical data – Saloon

Model	Diesel engines				Petrol engines		
	C 200 d	C 220 d	C 250 d	C 300 h	C 200	C 350 e	Mercedes-AMG C 63 [S]
<b>Engine</b>							
Total displacement cc	1,598	2,143	2,143	2,143	1,991	1,991	3,982
Arrangement/cylinders/valves	in-line/4/16	in-line/4/16	in-line/4/16	in-line/4/16	in-line/4/16	in-line/4/16	V/8/32
Fuel delivery	Common-rail diesel with turbocharger	Common-rail diesel with twin turbochargers	Common-rail diesel with twin turbochargers	Common-rail diesel with twin turbochargers plus electric motor	Electronically controlled direct injection	Electronically controlled direct injection plus electric motor	Electronically controlled direct injection with biturbo
Power <sup>1</sup> hp (kW) at rpm Combustion engine	136 (100)/3,800	170 (125)/3,000-4,200	204 (150)/3,800	204 (150)/3,800	184 (135)/5,500	211 (155)/5,500	476 (350)/5,500-6,250 {510 (375)/5,500-6,250}
Electric motor System output	-	-	-	27 (20)/1,800	-	82 (60)/2,000	-
Torque <sup>1</sup> [auto.] Nm at rpm Combustion engine	300/1,500-3,000 [320/1,500-3,000]	400/1,400-2,800	500/1,600-1,800	500/1,600-1,800	300/1,200-4,000	350/1,200-4,000	650/1,750-4,500 [700/1,750-4,500]
Electric motor System output	-	-	-	250/0-1,000	-	340/0-1,500	-
Compression ratio	15.7:1	16.2:1	16.2:1	16.2:1	9.8:1	9.8:1	10.5:1



View offers

- > Saloon
- > Estate



Book a test drive

- > Saloon
- > Estate
- > AMG



Find a Retailer



View the Range Guide

Model	Diesel engines				Petrol engines		
	C 200 d	C 220 d	C 250 d	C 300 h	C 200	C 350 e	Mercedes-AMG C 63 (S)

**Transmission**

6-speed manual <sup>2</sup>	●	●	–	–	●	–	–
7G-TRONIC PLUS 7-speed automatic <sup>2</sup>	○	○	●	●	○	●	–
AMG SPEEDSHIFT MCT 7-speed automatic sports transmission	–	–	–	–	–	–	●

**Tyre sizes**

Front	205/60 R 16	205/60 R 16	205/60 R 16	205/60 R 16	205/60 R 16	225/50 R 17	245/40 R 18 {245/35 R 19}
Rear	205/60 R 16	205/60 R 16	205/60 R 16	205/60 R 16	205/60 R 16	245/45 R 17	265/40 R 18 {265/35 R 19}

**Performance**

		man.	auto.	man.	auto.	auto.	auto.	man.	auto.	auto.	auto.
Acceleration 0–62 mph	sec	9.7	10.2	7.7	7.4	6.6	6.4	7.5	7.3	5.9	4.1 {4.0}
Top speed	mph	135	134	145	145	153	152	147	146	155	155 <sup>3</sup>



View offers

> Saloon

> Estate



Book a test drive

> Saloon

> Estate

> AMG



> Find a Retailer



> View the Range Guide

Model	Diesel engines						Petrol engines				
	C 200 d	C 220 d	C 250 d	C 300 h	C 200	C 350 e	Mercedes-AMG C 63 [S]				
<b>Weights and capacities</b>	man.	auto.	man.	auto.	auto.	auto.	man.	auto.	auto.	auto.	
Kerb weight	kg	1,485	1,505	1,550	1,570	1,595	1,715	1,445	1,465	1,780	1,715 {1,730}
Perm. Gross Vehicle Weight	kg	2,055	2,075	2,115	2,135	2,160	2,195	2,010	2,030	2,305	2,175 {2,180}
Towing capacity unbraked/ braked	kg	740/ 1,600	750/ 1,600	750/ 1,800	750/ 1,800	750/ 1,800	750/ 1,600	725/ 1,600	730/ 1,800	750/ 1,600	-/ -
Boot capacity	l	480	480	480	480	480	435	480	480	335	435
Fuel tank capacity/ of which reserve	l	66/7	66/7	66/7	66/7	66/7	50/7	66/7	66/7	50/7	66/7
Turning circle	m	11.22	11.22	11.22	11.22	11.22	11/22	11.22	11.22	11.22	11.29
<b>Fuel consumption<sup>4,5</sup></b>	mpg	man.	auto.	man.	auto.	auto.	auto.	man.	auto.	auto.	auto.
Urban		60.1	54.3	58.9	53.3	53.3	72.4	41.5	41.5	-	26.2
Extra-urban <sup>6</sup>		80.7	76.4	83.1	78.5	78.5	83.1	64.2	64.2	-	42.2
Combined		72.4	65.7	70.6	65.7	65.7	78.5	53.3	53.3	134.5	34.5





View offers

- > Saloon

- > Estate



Book a test drive

- > Saloon

- > Estate

- > AMG



Find a Retailer



View the Range Guide

Model	Diesel engines					Petrol engines						
	C 200 d	C 220 d	C 250 d	C 300 h		C 200	C 350 e	Mercedes-AMG C 63 [S]				
<b>CO<sub>2</sub> emissions<sup>5</sup></b>	g/km		man.	auto.	man.	auto.	auto.	auto.	man.	auto.	auto.	auto.
Emissions standard	EU6	EU6	EU6	EU6	EU6	EU6	EU6	EU6	EU6	EU6	EU6	EU6
16" 205/60 tyres	101	111	103	109	109	94	123	123	-	-	-	-
17" 225/50 tyres	101	111	103	109	109	94	123	123	-	-	-	-
17" 245/45 tyres	-	-	-	-	-	-	-	-	48	-	-	-
18" 245/40 tyres	106	116	108	117	117	100	132	131	52	-	-	-
19" 255/35 tyres	110	119	110	121	121	103	136	135	-	-	-	-
18" 265/40 tyres	-	-	-	-	-	-	-	-	-	-	-	192 {-}
19" 265/35 tyres	-	-	-	-	-	-	-	-	-	-	-	192 {192}

**Insurance group ratings**

Base model: SE/Sport/AMG Line	24/25/25	30/31/31	36/37/37	36/37/37	29/31/31	-/38/-	47 {48}
Incl. Executive package	24/-/-	30/-/-	36/-/-	36/-/-	29/-/-	-/-/-	- {-}
Incl. Premium package	-/26/27	-/31/32	-/37/38	-/37/38	-/32/32	-/39/-	47 {48}
Incl. Premium Plus package	-/27/27	-/32/32	-/37/38	-/37/38	-/32/32	-/39/-	- {-}

<sup>1</sup>Figures according to Directive 80/1269/EEC in the currently applicable version <sup>2</sup>With ECO start/stop <sup>3</sup>Electronically limited <sup>4</sup>All figures are based on a standard specification with the smallest tyre size

<sup>5</sup>The choice of wheels and transmission may affect CO<sub>2</sub> emissions and corresponding Road Fund Licence <sup>6</sup>EUDC: extra-urban driving cycle. Testing procedures adhere to EU Directive 93/116

The figures on pages 70-74 are correct at time of going to print. Please refer to the government website for latest data - <http://www.dft.gov.uk/vca>



View offers > Saloon  
> Estate



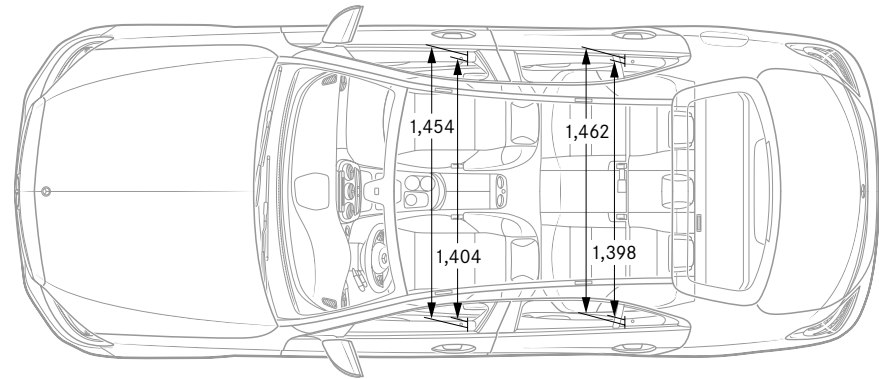
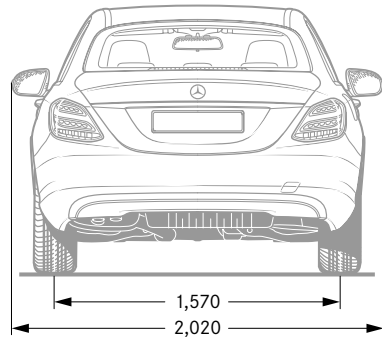
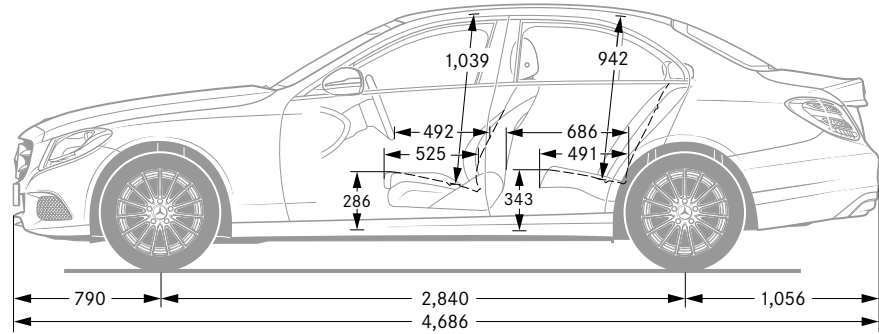
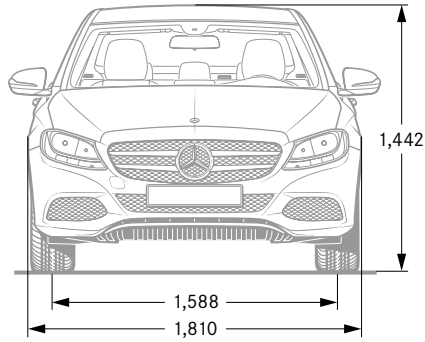
Book a test drive > Saloon  
> Estate  
> AMG



> Find a Retailer



> View the Range Guide





View offers

> Saloon

> Estate



Book a test drive

> Saloon

> Estate

> AMG



> Find a Retailer



> View the Range Guide

# Technical data – Estate

Model	Diesel engines				Petrol engines		
	C 200 d	C 220 d	C 250 d	C 300 h	C 200	C 350 e	Mercedes-AMG C 63 (S)
<b>Engine</b>							
Total displacement cc	1,598	2,143	2,143	2,143	1,991	1,991	3,982
Arrangement/cylinders/valves	in-line/4/16	in-line/4/16	in-line/4/16	in-line/4/16	in-line/4/16	in-line/4/16	V/8/32
Fuel delivery	Common-rail diesel with turbochargers	Common-rail diesel with turbochargers	Common-rail diesel with turbochargers	Common-rail diesel with twin turbochargers plus electric motor	Electronically controlled direct injection	Electronically controlled direct injection plus electric motor	Electronically controlled direct injection with biturbo
Power <sup>1</sup> hp (kW) at rpm							
Combustion engine	136 (100)/3,800	170 (125)/3,000-4,200	204 (150)/3,800	204 (150)/3,800	184 (135)/5,500	211 (155)/5,500	476 (350)/5,500-6,250 {510 (375)/5,500-6,250}
Electric motor	-	-	-	27 (20)/1,800	-	82 (60)/2,000	-
System output	-	-	-	-	-	279 (205)/5,000	-
Torque <sup>1</sup> [auto.] Nm at rpm							
Combustion engine	300/1,500-3,000 [320/1,500-3,000]	400/1,400-2,800	500/1,600-1,800	500/1,600-1,800	300/1,200-4,000	350/1,200-4,000	650/1,750-4,500 [700/1,750-4,500]
Electric motor	-	-	-	250/0-1,000	-	340/0-1,500	-
System output	-	-	-	-	-	600/1,200-2,000	-
Compression ratio	15.7:1	16.2:1	16.2:1	16.2:1	9.8:1	9.8:1	10.5:1

● Standard ○ Optional - Not available



View offers

> Saloon

> Estate



Book a test drive

> Saloon

> Estate

> AMG



> Find a Retailer



> View the Range Guide

Model	Diesel engines				Petrol engines						
	C 200 d	C 220 d	C 250 d	C 300 h	C 200	C 350 e	Mercedes-AMG C 63 [S]				
<b>Transmission</b>											
6-speed manual <sup>2</sup>	●	●	-	-	●	-	-				
7G-TRONIC PLUS 7-speed automatic <sup>2</sup>	○	○	●	●	○	●	-				
AMG SPEEDSHIFT MCT 7-speed automatic sports transmission	-	-	-	-	-	-	●				
<b>Tyre sizes</b>											
Front	205/60 R 16	205/60 R 16	205/60 R 16	225/50 R 17	205/60 R 16	225/50 R 17	245/40 R 18 {245/35 R 19}				
Rear	205/60 R 16	205/60 R 16	205/60 R 16	225/50 R 17	205/60 R 16	245/45 R 17	265/40 R 18 {265/35 R 19}				
<b>Performance</b>											
	man.	auto.	man.	auto.	auto.	auto.	man.	auto.	auto.	auto.	auto.
Acceleration 0-62 mph	sec	10.1	10.6	7.9	7.6	6.9	6.7	7.7	7.5	6.2	4.2 {4.1}
Top speed	mph	133	132	143	142	150	148	146	145	153	155 <sup>3</sup>



View offers

> Saloon

> Estate



Book a test drive

> Saloon

> Estate

> AMG



> Find a Retailer



> View the Range Guide

Model	Diesel engines					Petrol engines				
	C 200 d	C 220 d	C 250 d	C 300 h	C 200	C 350 e	Mercedes-AMG C 63 (S)			
<b>Weights and capacities</b>	man.	auto.	man.	auto.	auto.	auto.	man.	auto.	auto.	auto.
Kerb weight kg	1,545	1,580	1,595	1,615	1,660	1,765	1,495	1,525	1,840	1,785 {1,800}
Perm. Gross Vehicle Weight kg	2,120	2,155	2,170	2,190	2,235	2,340	2,070	2,100	2,305	2,260 {2,260}
Towing capacity unbraked/braked kg	740/ 1,600	750/ 1,600	750/ 1,800	750/ 1,800	750/ 1,800	750/ 1,600	745/ 1,600	750/ 1,800	750/ 1,600	-/ -
Boot capacity l	490- 1,510	490- 1,510	490- 1,510	490- 1,510	490-1,510	450-1,470	490- 1,510	490- 1,510	350-1,370	490-1,510
Fuel tank capacity/ of which reserve l	66/7	66/7	66/7	66/7	66/7	50/7	66/7	66/7	50/7	66/7
Turning circle m	11.22	11.22	11.22	11.22	11.22	11.22	11.22	11.22	11.22	11.29
<b>Fuel consumption<sup>4,5</sup></b> mpg	man.	auto.	man.	auto.	auto.	auto.	man.	auto.	auto.	auto.
Urban	55.4	54.3	54.3	53.3	52.3	70.6	40.4	40.4	-	25.9
Extra-urban <sup>6</sup>	74.3	74.3	76.4	74.3	72.4	76.4	61.4	61.4	-	40.9
Combined	65.7	65.7	65.7	64.2	62.8	74.3	51.4	51.4	134.5	33.6



View offers

➤ Saloon

➤ Estate



Book a test drive

➤ Saloon

➤ Estate

➤ AMG



➤ Find a Retailer



➤ View the Range Guide

Model	Diesel engines						Petrol engines				
	C 200 d	C 220 d	C 250 d	C 300 h	C 200	C 350 e	Mercedes-AMG C 63 [S]				
<b>CO<sub>2</sub> emissions<sup>5</sup></b> g/km	man.	auto.	man.	auto.	auto.	auto.	man.	auto.	auto.	auto.	
Emissions standard	EU6	EU6	EU6	EU6	EU6	EU6	EU6	EU6	-	EU6	
16" 205/60 tyres	109	114	108	114	117	-	128	128	-	-	
17" 225/50 tyres	111	114	108	114	117	99	128	128	-	-	
17" 245/45 tyres	-	-	-	-	-	-	-	-	49	-	
18" 245/40 tyres	117	121	113	119	122	104	132	138	53	-	
19" 255/35 tyres	120	124	115	122	125	106	134	142	-	-	
18" 265/40 tyres	-	-	-	-	-	-	-	-	-	196 [-]	
19" 265/35 tyres	-	-	-	-	-	-	-	-	-	196 [196]	

**Insurance group ratings**

Base model: SE/Sport/AMG Line	24/25/25	30/31/31	36/37/37	36/37/37	29/31/31	-/38/-	47 {48}
Incl. Executive package	24/-/-	30/-/-	36/-/-	36/-/-	29/-/-	-/-/-	- {-}
Incl. Premium package	-/26/27	-/31/32	-/37/38	-/37/38	-/32/32	-/39/-	47 {48}
Incl. Premium Plus package	-/27/27	-/32/32	-/37/38	-/37/38	-/33/32	-/39/-	- {-}

<sup>1</sup>Figures according to Directive 80/1269/EEC in the currently applicable version <sup>2</sup>With ECO start/stop <sup>3</sup>Electrically limited <sup>4</sup>All figures are based on a standard specification with the smallest tyre size

<sup>5</sup>The choice of wheels and transmission may affect CO<sub>2</sub> emissions and corresponding Road Fund Licence <sup>5</sup>EUDC: extra-urban driving cycle. Testing procedures adhere to EU Directive 93/116

The figures on pages 75-79 are correct at time of going to print. Please refer to the government website for latest data - <http://www.dft.gov.uk/vca>



View offers

- > Saloon
- > Estate



Book a test drive

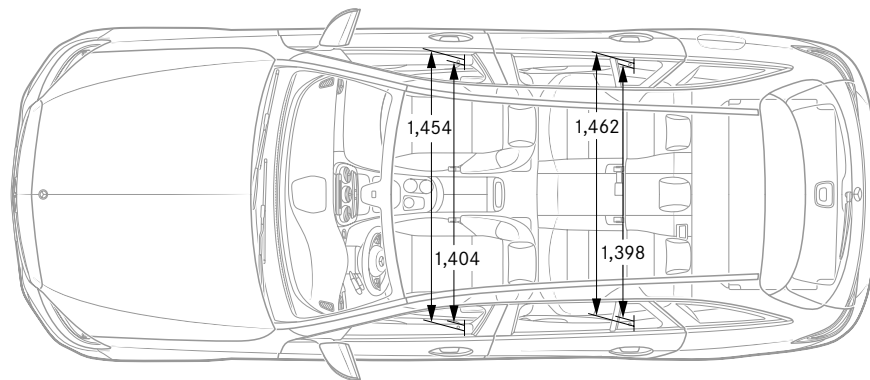
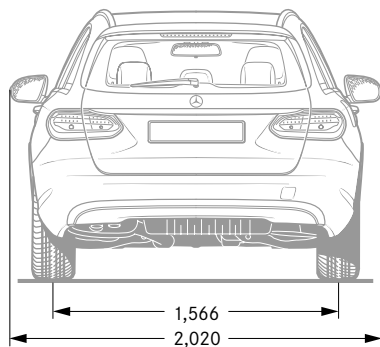
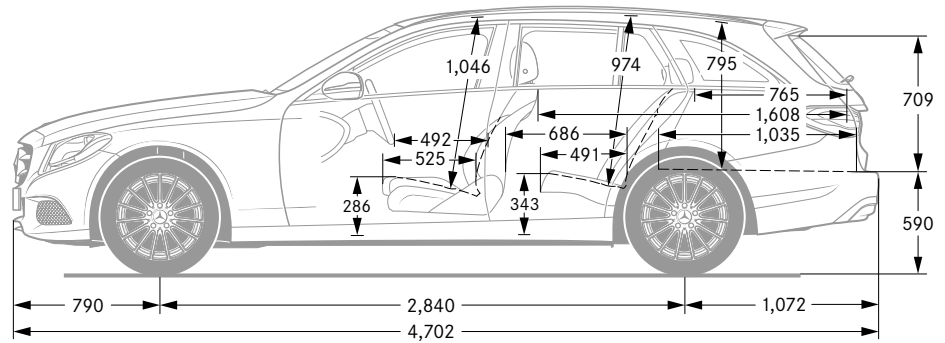
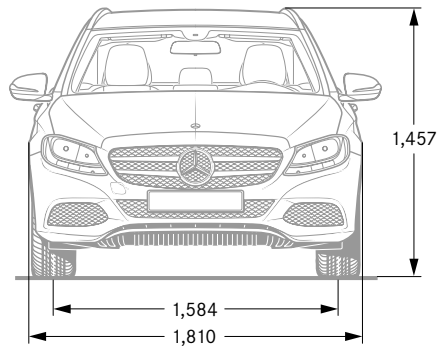
- > Saloon
- > Estate
- > AMG



Find a Retailer



View the Range Guide



All measurements in millimetres. The dimensions are mean values and apply to standard-specification, unladen vehicles



View offers

- > Saloon
- > Estate



Book a test drive

- > Saloon
- > Estate
- > AMG



Find a Retailer



View the Range Guide

# Road Fund Licence



All road vehicle registrations are subject to Vehicle Excise Duty (Road Fund Licence), which varies in accordance with the vehicle's CO<sub>2</sub> emissions. A first year rate of Vehicle Excise Duty applies to new cars on their first year of registration. For the second and subsequent years a standard rate for each taxation band will apply.<sup>1</sup> The table below shows the bands (A–M) created by the DVLA and the corresponding Road Fund Licence. CO<sub>2</sub> emissions are listed in the technical data on pages 73 and 78, and the relevant Excise Duty is reflected in the on-the-road prices on pages 10–13.

Band	CO <sub>2</sub> emissions	First year rate (£)	Standard rate (£)
A	up to 100 g/km	0.00	0.00
B	101 to 110 g/km	0.00	20.00
C	111 to 120 g/km	0.00	30.00
D	121 to 130 g/km	0.00	110.00
E	131 to 140 g/km	130.00	130.00
F	141 to 150 g/km	145.00	145.00
G	151 to 165 g/km	180.00	180.00
H	166 to 175 g/km	295.00	205.00
I	176 to 185 g/km	350.00	225.00
J	186 to 200 g/km	490.00	265.00
K	201 to 225 g/km	640.00	290.00
L	226 to 255 g/km	870.00	490.00
M	over 255 g/km	1,100.00	505.00

<sup>1</sup>For further information on vehicle taxation please refer to <https://www.gov.uk/calculate-vehicle-tax-rates>





View offers

- > Saloon
- > Estate



Book a test drive

- > Saloon
- > Estate
- > AMG



Find a Retailer



View the Range Guide

# Services and benefits

## Mercedes-Benz Service Care

We believe that servicing costs should be as flexible and affordable as possible for your C-Class, which is why we offer Service Care, an easy way to budget for all your servicing costs. It spreads your bills into manageable payments based on whether you have a new or used Mercedes-Benz.

With Service Care we guarantee the price of parts and labour for up to four services and safeguard against further inflation. It also covers the cost of all recommended service items including brake fluid, spark plugs, air filters, fuel filters and screen wash.

You can choose either to add your servicing costs into your monthly spend or pay the full amount in a one-off payment, giving you peace of mind that they are taken care of for the period of the plan.

To receive a personalised Service Care plan recommendation visit the Service Care Calculator at [www.mercedes-benz.co.uk/servicecare](http://www.mercedes-benz.co.uk/servicecare)

## Warranty and breakdown cover

Every Mercedes-Benz comes with a three-year unlimited mileage warranty against manufacturing or material defects<sup>1</sup> and up to 30 years warranty against perforation due to corrosion from the inside out.<sup>2</sup> What's more, it's also covered by Mercedes-Benz Roadside Assistance – a unique package comprising up to 30 years pan-European breakdown assistance.<sup>2</sup>

<sup>1</sup>Applies to vehicles sold by Mercedes-Benz in the UK to its franchised Retailers <sup>2</sup>Subject to full Terms and Conditions, dependent on date of registration, available upon request



View offers

- > Saloon
- > Estate



Book a test drive

- > Saloon
- > Estate
- > AMG



Find a Retailer



View the Range Guide

82



# The Mercedes that thinks and acts for you.

Imagine if...

**...you could connect with your Mercedes-Benz?**

With Mercedes connect me, you can; with Remote Online services<sup>1</sup> that include trip planning, maintenance management and vehicle tracking, plus more.

Getting connected is easy. Just set up your Mercedes me account and get in touch with your Mercedes-Benz Retailer to connect your vehicle to your profile to access your Mercedes connect me services.

**...you knew beforehand that you need to stop for fuel?**

Simply check the fuel level and mileage range from your phone wherever you are. You can also check tyre pressure and washer fluid level. (For electric cars, you can check battery charge state.)

**...your Mercedes could tell you where it's parked?**

You no longer need to ask yourself where you left your car; with Mercedes connect me you can locate your car from your smartphone or tablet within a mile radius.



- 1. PARKED VEHICLE LOCATOR
- 2. VEHICLE TRACKER

- 3. REMOTE RETRIEVAL OF VEHICLE STATUS
- 4. PRE-ENTRY CLIMATE CONTROL FOR ELECTRIC DRIVE AND PLUG-IN HYBRID



View offers

- > Saloon
- > Estate



Book a test drive

- > Saloon
- > Estate
- > AMG



Find a Retailer



View the Range Guide

### ...you could lock your Mercedes, even if you're miles away?

The uncertainty of whether you've forgotten to lock the car is only human. To make sure your Mercedes-Benz is safe and secure, you can simply lock the car remotely via your PC/Mac, tablet or smartphone.

### ...your Mercedes told you when your service is due?

Being connected means essential data is constantly sent to your Mercedes-Benz Retailer so they know when it is time for a service. Your Retailer can then contact you with a tailor-made service quote.

### ...your Retailer already knows which parts need replacing?

As surprising as this sounds, with telediagnosics your Retailer can recognise remotely if certain parts are due for replacement, contacting you to book an appointment and making sure the relevant parts are in stock when you arrive, getting you back on the road as quickly as possible.

### ...you could just push a button to deal with a breakdown?

Should your car break down, with a simple press of the button everything is taken care of – from breakdown assistance to vehicle recovery.

### ...your Mercedes called for help?

Your Mercedes comes with an SOS button. Press it if you need urgent help and you will be contacted by the emergency response centre.<sup>2</sup> In the event of an accident where airbags or seatbelt tensioners have been activated, a call is placed automatically. Your GPS position is sent to the response teams to initiate rescue efforts.<sup>3</sup>

### The Mercedes that thinks and acts for you.

Contact your Retailer to get connected, or go to [www.mercedes.me](http://www.mercedes.me) for more details.

<sup>1</sup>This is available as an option in conjunction with Audio 20 CD, and standard with COMAND Online. Remote Online is standard with electric drive and plug-in hybrid. Use of the Remote Online equipment option is limited to three years from first registration of the vehicle and can then be extended at extra cost.

<sup>2</sup>A call is placed via the car's sim card, rather than the customer relying on their mobile phone.

<sup>3</sup>This feature is still available to customers without Mercedes connect me services. The customer is not required to accept the terms and conditions on the portal to activate this feature. For all other features the customer will have to accept terms and conditions on the portal to activate them.





View offers

- > Saloon
- > Estate



Book a test drive

- > Saloon
- > Estate
- > AMG



Find a Retailer



View the Range Guide

84

# Mercedes-Benz Finance and Insurance

## Choosing the colour of your Mercedes-Benz can be difficult. Fortunately, financing it isn't

So you've chosen your new Mercedes-Benz and you've finally settled on a colour. The good news is you've done the hard part. Now simply sit down with one of our Business Managers and they'll be happy to guide you through our range of finance packages, service options and insurance cover.

At Mercedes-Benz Finance, we're not in the business of simply providing a loan to fund the purchase of your dream car. We look on it as a journey that we take with you, from the moment you choose your new Mercedes-Benz, to helping you in choosing your next one.

You should find our finance packages are more convenient than a traditional personal loan. They are:

- **Quick and easy to arrange.** On average, approved credit applications are processed within 18 minutes.<sup>1</sup>
- **Immediately available.** With no waiting for cheques or loans to clear.
- **No security on your home required.** You will not be required to provide us with any security against your house as a condition of taking out the finance agreement.

● **Clear and transparent.** Other lenders may offer you a higher APR to the one you applied for based on your credit status. With Mercedes-Benz Finance, where we advertise an APR this is the APR you will receive if your credit application is successful.

● **Guarantee the future value of your car.** Our Personal Contract Purchase plan, Mercedes-Benz Agility, features a future guaranteed value, which provides you with protection against the risk of depreciation and also makes your payments more affordable.

<sup>1</sup>Based on all credit applications received January–November 2012



View offers

- > Saloon
- > Estate



Book a test drive

- > Saloon
- > Estate
- > AMG



Find a Retailer



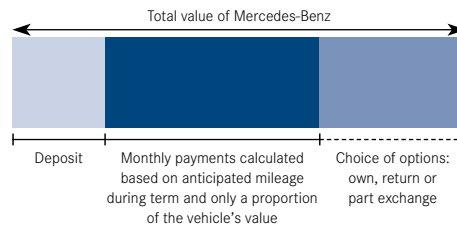
View the Range Guide

### Dedicated Business Managers: finding the right package for you

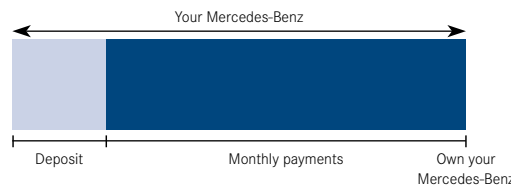
Our Business Managers are experts in all aspects of vehicle finance. They will talk you through the options, advise you as to which one might suit you best and help you to make the right decision. What's more, they have access to systems and support that will enable quotations and comparisons to be prepared for you in minutes.

Above all, we want you to be reassured that your Business Manager will be there with you every step of the way: discussing your requirements, making suggestions and outlining the options available.

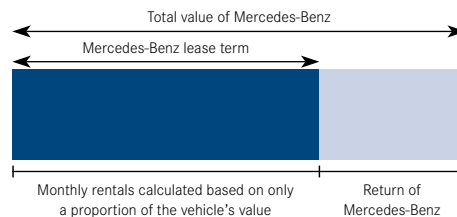
#### Mercedes-Benz Agility



#### Mercedes-Benz Hire Purchase



#### Mercedes-Benz Operating Lease



### Insurance

Since our name is synonymous with reliability, who better to trust with your motor insurance? Mercedes-Benz Insurance provides a motor insurance policy specifically designed to give you the cover you would expect from Mercedes-Benz.

For a motor insurance quotation, call

# 0345 600 2180\*

\*For joint protection, calls may be recorded and/or monitored. All calls charged at local rate. We may decline to quote in some circumstances

For further information on Mercedes-Benz Finance, please contact your local Mercedes-Benz Retailer.

Mercedes-Benz Motor Insurance is underwritten by Aviva Insurance UK Limited. Credit provided, subject to status, by Mercedes-Benz Financial Services UK Ltd, MK15 8BA



View offers

- > Saloon
- > Estate



Book a test drive

- > Saloon
- > Estate
- > AMG



> Find a Retailer



> View the Range Guide



View offers

- > Saloon
- > Estate



Book a test drive

- > Saloon
- > Estate
- > AMG



> Find a Retailer



> View the Range Guide



View offers

- > Saloon
- > Estate



Book a test drive

- > Saloon
- > Estate
- > AMG



Find a Retailer



View the Range Guide

Follow us on the following social media channels:



<https://www.facebook.com/MercedesBenzUk>



<https://twitter.com/mercedesbenzUK>



<https://www.youtube.com/mercedesbenzUK>



<https://instagram.com/mercedesbenzUK>

Effective from 1 June 2015. Information correct at time of going to print.

Prices and specifications are subject to change without prior notice.

MBWS205PL/0615

Mercedes-Benz UK Ltd, Tongwell, Milton Keynes, MK15 8BA [www.mercedes-benz.co.uk](http://www.mercedes-benz.co.uk)



**Mixed Sources**

Product group from well-managed forests, controlled sources and recycled wood or fibre  
[www.fsc.org](http://www.fsc.org) Cert no. SGS-COC-004556  
©1996 Forest Stewardship Council

