



[View offers](#)



[Book a test drive](#) [AMG test drive](#)



[Find a Retailer](#)



[View the Range Guide](#)

# GL.

Effective from 1 June 2015.



Mercedes-Benz



> View offers



Book a > test drive > AMG test drive



> Find a Retailer



> View the Range Guide

# Contents

Model prices	11	Wheels	25	Technical data	42
Finance offers	12	Optional equipment	26	Road Fund Licence	46
Model lines	16	Genuine Accessories	35	Services and insurance	47
Standard equipment	20	Colours and materials	38	Mercedes-Benz Finance	48



> View offers



Book a > test drive > AMG test drive



> Find a Retailer



> View the Range Guide

## The hard facts to melt your heart

At Mercedes-Benz we appreciate the importance of detail. Over the following pages you'll find model prices and a breakdown of standard and optional equipment, as well as details of the comprehensive services and benefits that are available to every Mercedes-Benz driver.

See Mercedes-Benz in a new light. Now is the time to get yourself behind the wheel of a GL. Choose from a number of attractive finance offers. Please see pages 12–15 for further details, or visit [www.mercedes-benz.co.uk/offers](http://www.mercedes-benz.co.uk/offers)

Of course, some things have to be experienced to be truly appreciated, such as the qualities that set a Mercedes-Benz apart. Which is why we'd like to invite you for a test drive at your local Mercedes-Benz Retailer. Alternatively, you can make arrangements by visiting [www.mercedes-benz.co.uk/testdrive](http://www.mercedes-benz.co.uk/testdrive)

For more information visit [www.mercedes-benz.co.uk](http://www.mercedes-benz.co.uk) or call 0333 222 0500.



> View offers



Book a > test drive > AMG test drive



> Find a Retailer



> View the Range Guide

4







[View offers](#)



[Book a test drive](#) [AMG test drive](#)



[Find a Retailer](#)



[View the Range Guide](#)





[View offers](#)



[Book a test drive](#) [AMG test drive](#)



[Find a Retailer](#)



[View the Range Guide](#)

6







> View offers



Book a > test drive > AMG test drive



> Find a Retailer



> View the Range Guide





> View offers



Book a > test drive > AMG test drive



> Find a Retailer



> View the Range Guide

8



Model features optional equipment at an additional cost.





> View offers



Book a > test drive > AMG test drive



> Find a Retailer



> View the Range Guide





> View offers



Book a > test drive > AMG test drive



> Find a Retailer



> View the Range Guide



[View offers](#)[Book a test drive](#) [AMG test drive](#)[Find a Retailer](#)[View the Range Guide](#)

# Model prices

Engine	Model line	Transmission	CO <sub>2</sub>	Basic RRP excl. VAT (£)	Total RRP incl. VAT (£)	Road Fund Licence (£) <sup>1</sup>	Rec. OTR price (£) <sup>2</sup>	P11D value (£)	BiK tax rate 2015/16 (%)
<b>GL 350 BlueTEC 4MATIC</b> Diesel – 2,987 cc, 6-cylinder, 258 hp/190 kW	AMG Sport	7G-TRONIC PLUS 7-speed automatic	205	50,287.50	60,345.00	640.00	61,655.00	60,960.00	37
<b>AMG</b>									
<b>GL 63 AMG 4MATIC</b> Petrol – 5,461 cc, 8-cylinder, 557 hp/410 kW	-	AMG SPEEDSHIFT PLUS 7G-TRONIC 7-speed auto.	288	77,470.83	92,965.00	1,100.00	94,735.00	93,580.00	37

<sup>1</sup>A different first year rate of Vehicle Excise Duty (Road Fund Licence) applies for new cars. Please refer to page 46 for the relevant rate for the second and subsequent years

<sup>2</sup>Recommended on-the-road price: these prices reflect the Road Fund Licence applicable to the standard model plus £670.00 additional costs necessary to put your car on the road.

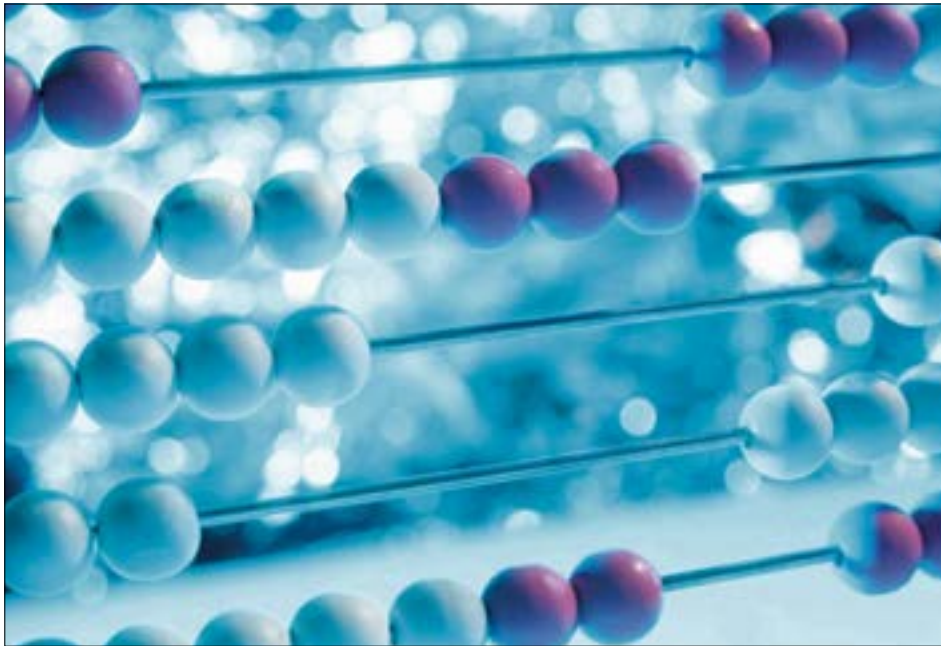
Included are a standard UK delivery charge (£540.00 incl. VAT), new vehicle registration fee (£55.00), number plates (£25.00 incl. VAT) and fuel (£50.00 incl. VAT). VAT is calculated at the standard rate of 20%





# Mercedes-Benz Finance

Where the clever money goes



## GL 350 BlueTEC 4MATIC AMG Sport with automatic transmission and metallic paint (representative example)

36 monthly payments of <sup>1</sup>	£599.00
On-the-road price	£61,655.00
Customer deposit	£7,912.79
Retailer deposit contribution	£7,413.80
Duration of agreement	36 months
Optional purchase payment <sup>2</sup>	£32,100.00
Purchase activation fee <sup>2</sup>	£10.00
Amount of credit	£46,328.41
Total amount payable <sup>3</sup>	£69,000.59
Representative APR	6.4% APR
Fixed interest rate	6.17%



**Example offer –  
6.4% APR Representative**

	Automatic	Metallic	On-the-road price	Retailer deposit contribution	Customer deposit	36 monthly payments of <sup>1</sup>
GL350 BlueTEC 4MATIC AMG Sport	●	●	£61,655.00	£7,413.80	£7,912.79	£599.00

● Standard equipment

### Mercedes-Benz Service Care

- Mercedes-Benz trained Technicians
- Maintained by Mercedes-Benz Retailers
- Meets requirements of Mercedes-Benz Agility finance agreement

### Mercedes-Benz Motor Insurance

- 24/7 UK accident recovery
- Only Mercedes-Benz GenuineParts used
- To qualify for up to 10% discount online, go to [www.mercedes-benz.co.uk/motorinsurance](http://www.mercedes-benz.co.uk/motorinsurance)
- Alternatively, call Mercedes-Benz Motor Insurance now on **0345 600 2180<sup>4</sup>** for an annual quote

We may decline to quote in some circumstances. Mercedes-Benz Motor Insurance is underwritten by Aviva Insurance Limited

Whilst these offers are only available with Mercedes-Benz Finance, our Mercedes-Benz Retailers do arrange finance on behalf of other finance companies as well.

Orders/credit approvals on selected GL models between 1 October and 31 December 2015, registered by 31 March 2016; excluding GLS and GL 63 AMG models. Some combinations of features/options may not be available.

Please contact your local Mercedes-Benz Retailer for availability

<sup>1</sup>Based on a Mercedes-Benz Agility agreement and 10,000 miles per annum. Vehicle condition, excess mileage and other charges may be payable. Quotations available on request for alternative contract lengths and mileages. Guarantees and indemnities may be required. Terms and Conditions apply. Credit provided subject to status by Mercedes-Benz Financial Services UK Ltd, MK15 8BA

<sup>2</sup>Payable if you exercise the option to purchase the car. Guaranteed future value if you choose to hand back the vehicle at the end of the contract

<sup>3</sup>Includes optional purchase payment, purchase activation fee and Retailer deposit contribution <sup>4</sup>Calls are charged at local rate and may be recorded



# Mercedes-Benz Finance

Even the finance offer is beautifully put together



## GL 63 AMG 4MATIC with automatic transmission and metallic paint (representative example)

36 monthly payments of <sup>1</sup>	£1,189.00
On-the-road price	£94,735.00
Customer deposit	£9,999.00
Retailer deposit contribution	£6,695.41
Duration of agreement	36 months
Optional purchase payment <sup>2</sup>	£47,700.00
Purchase activation fee <sup>2</sup>	£10.00
Amount of credit	£78,040.59
Total amount payable <sup>3</sup>	£107,208.41
Representative APR	6.4% APR
Fixed interest rate	6.17%



**Example offer –  
6.4% APR Representative**

	Automatic	Metallic	On-the-road price	Retailer deposit contribution	Customer deposit	36 monthly payments of <sup>1</sup>
GL 63 AMG 4MATIC	●	●	£94,735.00	£6,695.41	£9,999.00	£1,189.00

● Standard equipment

**Mercedes-Benz Service Care**

- Mercedes-Benz trained Technicians
- Maintained by Mercedes-Benz Retailers
- Meets requirements of Mercedes-Benz Agility finance agreement

**Mercedes-Benz Motor Insurance**

- 24/7 UK accident recovery
- Only Mercedes-Benz GenuineParts used
- To qualify for up to 10% discount online, go to [www.mercedes-benz.co.uk/motorinsurance](http://www.mercedes-benz.co.uk/motorinsurance)
- Alternatively, call Mercedes-Benz Motor Insurance now on **0345 600 2180<sup>4</sup>** for an annual quote

We may decline to quote in some circumstances. Mercedes-Benz Motor Insurance is underwritten by Aviva Insurance Limited

Whilst these offers are only available with Mercedes-Benz Finance, our Mercedes-Benz Retailers do arrange finance on behalf of other finance companies as well.

Orders/credit approvals on GL 63 AMG 4MATIC models between 1 October and 31 December 2015, registered by 31 March 2016; excluding non-AMG models. Some combinations of features/options may not be available.

Please contact your local Mercedes-Benz Retailer for availability

<sup>1</sup>Based on a Mercedes-Benz Agility agreement and 10,000 miles per annum. Vehicle condition, excess mileage and other charges may be payable. Quotations available on request for alternative contract lengths and mileages. Guarantees and indemnities may be required. Terms and Conditions apply. Credit provided subject to status by Mercedes-Benz Financial Services UK Ltd, MK15 8BA

<sup>2</sup>Payable if you exercise the option to purchase the car. Guaranteed future value if you choose to hand back the vehicle at the end of the contract

<sup>3</sup>Includes optional purchase payment, purchase activation fee and Retailer deposit contribution <sup>4</sup>Calls are charged at local rate and may be recorded



> View offers



Book a > test drive > AMG test drive



> Find a Retailer



> View the Range Guide

16

## GL 350 BlueTEC 4MATIC AMG Sport





The GL350 BlueTEC 4MATIC AMG Sport offers sophistication and high-tech in equal measures, all wrapped up in powerful SUV design. The exterior features AMG bodystyling, 21" AMG 5-twin-spoke alloy wheels and aluminium finish running boards with rubber studs and LED illumination. Smart technology to assist you along the way includes the Intelligent Light System,

Active Parking Assist with PARKTRONIC and AIRMATIC air suspension. Inside, automatic climate control, heated seats with ARTICO leather<sup>1</sup> upholstery, a 4-spoke multi-function sports steering wheel trimmed in nappa leather as well as COMAND Online system with Media Interface and DAB digital radio tuner ensure you're always comfortable and entertained.

#### Exterior

19" sports brakes with perforated front discs and brake caliper covers with 'Mercedes-Benz' lettering

21" AMG 5-twin-spoke alloy wheels and flared wheel arches

Active Parking Assist with PARKTRONIC

AIRMATIC air suspension

Aluminium finish running boards with rubber studs and LED illumination

AMG bodystyling

Electric glass sunroof

Intelligent Light System

Mirror package

Privacy glass

#### Interior

COMAND Online system with Media Interface

DAB digital radio tuner

Heated front seats

Rear seats – second seat row – split folding 1/3:2/3

Seven seats

Steering wheel – 4-spoke multi-function sports steering wheel, trimmed in nappa leather with perforated grip areas<sup>2</sup>

THERMATIC – automatic climate control

Third seat row electrically folding and raising

#### Trim and Upholstery

Brushed light aluminium

ARTICO leather<sup>1,2</sup> – black

ARTICO leather<sup>1,2</sup> – almond beige

ARTICO leather<sup>1,2</sup> – alpaca grey

<sup>1</sup>Man-made leather <sup>2</sup>Sports steering wheel only in conjunction with brushed light aluminium trim





> View offers



Book a > test drive > AMG test drive



> Find a Retailer



> View the Range Guide

18

## GL 63 AMG 4MATIC



designo diamond white is an additional-cost option



The GL 63 AMG 4MATIC is a master of sporty luxury, offering a comprehensive AMG bodystyling package which also comprises AMG door sill panels, AMG sports exhaust system, 21" AMG 5-twin-spoke alloy wheels, and an AMG high-performance braking system. 'V8 BITURBO' lettering on the front wings, as well as aluminium finish running boards with rubber studs and LED illumination further enhance the sporty credentials. Sophisticated technology includes Active Curve system and AIRMATIC air suspension,

Intelligent Light System and Active Parking Assist with PARKTRONIC. For your comfort, there are THERMOTRONIC luxury automatic climate control, heated front and second row seats, and multi-contour front seats with massage function and Memory package. AMG leather sports seats, AMG performance steering wheel and AMG brushed stainless steel sports pedals plus AMG floor mats complete the striking AMG look.

#### Exterior

21" AMG 5-twin-spoke alloy wheels painted titanium grey and flared wheel arches
AMG bodystyling
AMG high-performance braking system with silver-painted brake calipers
AMG sports exhaust system with two chromed twin tailpipes
Active Curve system and AIRMATIC air suspension
Active Parking Assist with PARKTRONIC
Aluminium finish running boards with rubber studs and LED illumination
Electric glass sunroof
Intelligent Light System
Mirror package
Privacy glass
'V8 BITURBO' lettering on front wings

#### Interior

AMG brushed stainless steel sports pedals with rubber studs and AMG floor mats
AMG sports seats with AMG-specific seat design upholstered in leather
COMAND Online system with Media Interface
Steering wheel - 4-spoke multi-function AMG performance steering wheel, trimmed in nappa leather with perforated grip areas, flattened bottom section and silver-coloured gearshift paddles

#### Trim and Upholstery

Brushed light aluminium	Leather - black
Leather - almond beige	Leather - alpaca grey



> View offers



Book a > test drive > AMG test drive



> Find a Retailer



> View the Range Guide

20

## Standard equipment



LED daytime running lamps



Aluminium finish, LED-illuminated running boards



Intelligent Light System



EASY-PACK powered tailgate



Electric glass sunroof, chrome-effect roof rails



Electrically adjustable front seats



Active Parking Assist with PARKTRONIC



COMAND Online system with Media Interface

\*Optional designo Exclusive leather upholstery shown (diamond design on GL 350 BlueTEC 4MATIC AMG Sport only)



Item	GL 350 BlueTEC AMG Sport	
	GL 63 AMG	GL 63 AMG
<b>Transmission and Suspension</b>		
7G-TRONIC PLUS 7-speed automatic transmission with steering column gear selector, steering wheel gearshift paddles (DIRECT SELECT) and SPEEDTRONIC cruise control	●	-
AMG SPEEDSHIFT PLUS 7G-TRONIC 7-speed automatic transmission with SPEEDTRONIC cruise control	-	●
Active Curve system with active suspension stabilisers Enhances ride comfort, agility and safety at high speed, when cornering and when driving off-road	○	●
AIRMATIC air suspension with level adjustment and Adaptive Damping System	●	●
ECO start/stop function	●	●
Off-road switch – primes systems for off-road driving	●	-
Permanent four-wheel drive	●	●
<b>Steering</b>		
4-spoke multi-function AMG performance steering wheel, trimmed in nappa leather with perforated grip areas, flattened bottom section and silver-coloured gearshift paddles	-	●
4-spoke multi-function sports steering wheel, trimmed in nappa leather with perforated grip areas	●	-
Direct Steering	●	●
Steer Control	●	●
Steering column – manually adjustable for height and reach	●	-

Item	GL 350 BlueTEC AMG Sport	
	GL 63 AMG	GL 63 AMG
<b>Exterior</b>		
19" sports brakes with perforated front discs and brake caliper covers with 'Mercedes-Benz' lettering	●	-
AMG bodystyling – front apron, rear apron, side skirts and flared wheel arches	●	●
AMG door sill panels in brushed stainless steel	-	●
AMG high-performance braking system with silver-painted brake calipers	-	●
AMG sports exhaust system with two chromed twin tailpipes	-	●
Active Parking Assist with PARKTRONIC PARKTRONIC monitors the front and rear end whilst the driver is manoeuvring the vehicle and gives a warning if the risk of a collision is detected. Active Parking Assist makes it easier to find a parking space and also automatically steers the vehicle into parking spaces	●	●
Ambient lighting on underside of door mirrors	●	●
Diesel Particulate Filter (DPF)	●	-
Door mirrors – electrically operated, folding and heated	●	●
EASY-PACK powered tailgate – opens and closes automatically	●	●
Electric glass sunroof	●	●
Headlamps – Intelligent Light System Bi-xenon headlamps, LED daytime running lamps, Active Light System, cornering light function, headlamp wash and Adaptive Highbeam Assist	●	●
Heated windscreen wash system	●	●





Item	GL 350 BlueTEC AMG Sport	
	GL 63 AMG	GL 63 AMG
<b>Exterior (continued)</b>		
High-level third brake light	●	●
LED tail lamps	●	●
Privacy glass – dark glass from B-pillar backwards	●	●
Radiator grille – with two chromed louvres	●	●
Rain-sensing wipers	●	●
Rear bumper with integrated reflectors	●	●
Rear screen – heated, with timer control	●	●
Rear screen wash/wiper	●	●
Roof rails – chrome-effect	●	●
Running boards – aluminium finish with rubber studs, LED-illuminated	●	●
Scratch guard on load compartment sill – chrome	●	●
Shoulder line trim strips – chrome	●	●
Space-saver spare wheel – steel	●	●
Tinted glass – green	●	●
'V8 BITURBO' lettering on front wings	–	●

Item	GL 350 BlueTEC AMG Sport	
	GL 63 AMG	GL 63 AMG
<b>Interior</b>		
Memory package	○	●
Front seats, front head restraints, steering column and exterior door mirrors – electrically adjustable with memory. Four-way electric lumbar support for driver and front passenger seat		
12 V socket in load compartment and passenger compartment, front and rear	●	●
AMG brushed stainless steel sports pedals with rubber studs	–	●
AMG floor mats	–	●
AMG instrument cluster with animated start-up sequence and AMG main menu	–	●
AMG sports seats with AMG-specific seat design and AMG badge in backrests	–	●
Centre armrests – front (with stowage) and rear	●	●
Cup holders – front (2) and rear	●	●
Electric windows (4)	●	●
Front seats – full electric adjustment (backrest, height and longitude) with four-way electric lumbar support for driver's seat	●	–
Front seats – heated	●	●
Load-securing rings (6)	●	●
Outside temperature gauge	●	●
Reading lamps, front and rear	●	●



Item	GL 350 BlueTEC AMG Sport	GL 63 AMG
<b>Interior (continued)</b>		
Rear seats, second row – heated	○	●
Rear seats, second row – split folding 1/3:2/3	●	●
THERMATIC – automatic climate control	●	–
THERMOTRONIC – luxury automatic climate control Multi-zone function with separate air distribution settings for driver, front passenger and rear. Three different climate modes: Focused, Medium and Diffuse	○	●
Rear seats, third row – electrically folding and raising	●	●
Service indicator ASSYST	●	●
Sun visors with illuminated vanity mirrors	●	●
<b>Paint, Trim and Upholstery</b>		
Dashboard – upper section in ARTICO leather <sup>1</sup>	●	–
Dashboard – upper and lower sections, beltline and door panels in ARTICO leather <sup>1</sup>	○	●
Paint – metallic	●	●
Trim – brushed light aluminium	●	●
Upholstery – ARTICO leather, <sup>1</sup> perforated	●	–
Upholstery – leather	○	●

Item	GL 350 BlueTEC AMG Sport	GL 63 AMG
<b>Security and Safety</b>		
Active bonnet – pedestrian safety measure	●	–
Adaptive brake lights	●	●
Airbags – driver and front passenger	●	●
Airbags – front sidebags	●	●
Airbags – windowbags	●	●
Alarm system with immobiliser and interior protection (MBSS3)	●	●
Anti-lock braking system (ABS) with Brake Assist (BAS)	●	●
ATTENTION ASSIST Continuously analyses driver behaviour and steering movements. If patterns are recognised which characterise drowsiness, the driver is prompted to take a break, and an audible warning is sounded. At the same time COMAND Online offers to locate a rest stop	●	●
Automatic child seat recognition sensor Works in conjunction with Mercedes-Benz child seats fitted with transponder	●	●
Automatically dimming rear-view mirror and driver's door mirror	●	●
COLLISION PREVENTION ASSIST	●	●
Crosswind Assist	●	●
Downhill Speed Regulation (DSR) with switch and variable speed control	●	●



Item	GL 350 BlueTEC AMG Sport	
	GL 63 AMG	
<b>Security and Safety (continued)</b>		
Electric parking brake	●	●
Electronic Stability Programme (ESP®) with Acceleration Skid Control (ASR)	●	●
First-aid kit and warning triangle	●	●
Four-wheel Electronic Traction System (4ETS)	●	●
Headlamp Assist – automatic headlamp activation	●	●
Head restraints, front – adjustable for height and angle	●	●
Hill-Start Assist	●	●
ISOFIX and top-tether child seat fixing points in second row outer seats and third row	●	●
PRE-SAFE® anticipatory safety system	●	●
Rear head restraints and three-point seat belts – second and third row, all seats	●	●
Remote central locking	●	●
Seat belt pre-tensioners and force limiters – front, second row outer seats and third row	●	●
Trailer Stability Assist	●	●
Tyre pressure monitoring system	●	●

Item	GL 350 BlueTEC AMG Sport	
	GL 63 AMG	
<b>Communications and In-Car Entertainment</b>		
Bluetooth® interface for hands-free telephony	●	●
Central controller dial to operate audio functions and telephone (when connected)	●	●
COMAND Online system with Media Interface	●	●
Includes radio, single CD/DVD, 7-inch colour display, hard disk drive (HDD) navigation with 3D map display, Live Traffic Information and European map data updates free of charge for the first three years, Speed Limit Assist and LINGUATRONIC voice control. Internet-enabled mobile phone required for emergency call system (eCall), Mercedes-Benz apps and in-car internet access for Facebook, internet radio, sending routes from Google Maps™ to the vehicle, news and weather reports. Also includes SD memory card slot, 10GB music register and MP3 compatibility. Media Interface allows connection and control of portable media devices (e.g. MP3 player, USB storage media). Cable included for iPod® connectivity		
DAB digital radio tuner	●	●



> View offers



Book a > test drive > AMG test drive



> Find a Retailer







> View the Range Guide

Wheels

25

# A revolution in style

Item	Notes						Basic RRP excl. VAT (£)	Total RRP incl. VAT (£)
<b>Wheels</b>								
21" AMG alloy wheels (4) - 5-twin-spoke design 295/40 tyres			757	●	-		-	-
21" AMG alloy wheels (4) - 5-twin-spoke design, painted in titanium grey 295/40 tyres			798	-	●		-	-
21" AMG alloy wheels (4) - 5-spoke design, painted in titanium grey 295/40 tyres			777	-	○		425.00	510.00
21" AMG alloy wheels (4) - 5-spoke design, painted in matt black 295/40 tyres			695	○	-		850.00	1,020.00
				-	○		729.17	875.00

GL 350 BlueTEC AMG Sport  
GL 63 AMG





> View offers



Book a > test drive > AMG test drive



> Find a Retailer



> View the Range Guide

# Optional equipment



Panoramic glass sunroof<sup>1</sup>



On- & Off-Road package<sup>3</sup>



Rear seat entertainment system<sup>1</sup>



THERMOTRONIC - luxury auto. climate control<sup>2</sup>



KEYLESS-GO<sup>2</sup>



Temperature-controlled cup holder



Harman Kardon® Logic 7® surround sound system



Bang & Olufsen surround sound system

<sup>1</sup>Optional designo Exclusive leather upholstery shown (diamond design on GL 350 BlueTEC 4MATIC AMG Sport only) <sup>2</sup>Standard on GL 63 AMG 4MATIC <sup>3</sup>GL 350 BlueTEC 4MATIC AMG Sport only



## Optional equipment

Item	Notes	GL 350 BlueTEC AMG Sport			Basic RRP excl. VAT (£)	Total RRP incl. VAT (£)
		GL 350 BlueTEC AMG Sport	GL 63 AMG			
<b>AMG Performance Studio</b>						
AMG Driver's package Attendance at an AMG 'Power & Passion' driving event Increase in the electronically limited top speed	Please ask your Retailer for further information	250	-	○	2,350.00	2,820.00
AMG carbon fibre engine cover		B14	-	○	1,275.00	1,530.00
<b>Steering</b>						
Multi-function AMG performance steering wheel in DINAMICA microfibre/ nappa leather	Not in conjunction with wood- and leather-trimmed steering wheel (code 289) or designo wood- and leather-trimmed steering wheel (code Y95)	281	-	○	350.00	420.00
Multi-function steering wheel – heated	Sports steering wheel is replaced (for GL 350 BlueTEC 4MATIC AMG Sport). Only in conjunction with Memory package (code P64). Not available in conjunction with wood- and leather-trimmed steering wheel (code 289)	443	○	○	229.17	275.00
<b>Suspension and Exterior</b>						
On- & Off-Road package 100% differential locks on centre differential Drive programme switch and animation in COMAND Online display Front and rear axles with adaptive 4ETS Manual mode for automatic transmission Off-road ratio Reinforced underfloor panelling Special off-road algorithm for ABS, ETS, ESP® and air suspension Underbody protection under engine		430	○	-	1,654.17	1,985.00
Parking package 360° camera		P44	○	○	562.50	675.00



Item	Notes				GL 350 BlueTEC AMG Sport GL 63 AMG	Basic RRP excl. VAT (£)	Total RRP incl. VAT (£)
<b>Suspension and Exterior (continued)</b>							
Active Curve system With active suspension stabilisers. Enhances ride comfort, agility and safety at high speed, when cornering and when driving off-road		468	○	●		2,700.00	3,240.00
Brake calipers – painted red		U70	–	○		no-cost option	
Reversing camera	Not in conjunction with Parking package (code P44)	218	○	○		350.00	420.00
Tow bar – fully electric	When ordering this option, please discuss with your Retailer any specific towing requirements	550	○	○		791.67	950.00
<b>Paint, Trim and Upholstery</b>							
designo Exclusive leather upholstery Armrests in doors and centre console and handrest in chosen designo leather colour Dashboard and door beltlines trimmed in black nappa leather (marron nappa leather with code X06) Double sun visors (code 543) Floor mats with edging in designo black leather and designo metal badges Roof lining in black DINAMICA microfibre Seat and door centre panels in chosen designo leather colour (with diamond design for GL 350 BlueTEC 4MATIC AMG Sport only) designo badges in front and rear seat backrests (AMG badges for GL 63 AMG 4MATIC)	Based on black leather (code 201). Not in conjunction with dashboard in ARTICO leather <sup>1</sup> (code U09)		○	–		5,704.17	6,845.00
			–	○		3,870.83	4,645.00
Available in: designo marron X06 designo black X11 designo porcelain X27							



Item	Notes				Basic RRP excl. VAT (£)	Total RRP incl. VAT (£)
		GL 350 BlueTEC AMG Sport	GL 63 AMG			
<b>Paint, Trim and Upholstery (continued)</b>						
Dashboard – upper and lower sections, beltline and door panels in ARTICO leather <sup>1</sup>		U09	○	●	383.33	460.00
Paint – designo diamond white metallic		799	○	○	679.17	815.00
Paint – polar white non-metallic		149	○	○	<b>no-cost option</b>	
Roof lining in designo black DINAMICA microfibre	Included in conjunction with designo Exclusive leather upholstery (code X06, X11 or X27). Not in conjunction with almond beige upholsteries (code 105 or 205). Only in conjunction with double sun visors (code 543)	Y41	○	○	1,362.50	1,635.00
Roof lining in designo black fabric	Not in conjunction with almond beige upholsteries (code 105 or 205)	Y90	○	○	308.33	370.00
Steering wheel – designo wood- and leather-trimmed	Only in conjunction with designo trim in black piano lacquer (code W69). Not in conjunction with wood- and leather-trimmed steering wheel (code 289), or with almond beige or alpaca grey upholsteries (code 105, 108, 205 or 208)	Y95	○	○	870.83	1,045.00
Steering wheel – wood- and leather-trimmed	Only in conjunction with wood trims (code 729, 731, 734 or H09). Not in conjunction with heated multi-function steering wheel (code 443) or designo wood- and leather-trimmed steering wheel (code Y95)	289	○	○	512.50	615.00
Trim – black poplar wood, gloss finish	Sports steering wheel is replaced (GL 350 BlueTEC 4MATIC AMG Sport)	729	○	–	137.50	165.00
		–	–	○	<b>no-cost option</b>	
Trim – brown burr walnut wood, gloss finish	Sports steering wheel is replaced (GL 350 BlueTEC 4MATIC AMG Sport)	731	○	–	137.50	165.00
		–	–	○	<b>no-cost option</b>	
Trim – brown eucalyptus wood, gloss finish	Sports steering wheel is replaced (GL 350 BlueTEC 4MATIC AMG Sport)	734	○	–	<b>no-cost option</b>	
Trim – brown open-pore ash wood	Sports steering wheel is replaced (GL 350 BlueTEC 4MATIC AMG Sport)	H09	○	–	137.50	165.00
		–	–	○	<b>no-cost option</b>	





Item	Notes				Basic RRP excl. VAT (£)	Total RRP incl. VAT (£)
		GL 350 BlueTEC AMG Sport	GL 63 AMG			
<b>Paint, Trim and Upholstery (continued)</b>						
Trim – designo black piano lacquer	Sports steering wheel is replaced (GL 350 BlueTEC 4MATIC AMG Sport). Not in conjunction with wood- and leather-trimmed steering wheel (code 289)	W69	○	○	1,308.33	1,570.00
Upholstery – leather			○	–	1,533.33	1,840.00
			–	●	–	–
Upholstery – two-tone leather			○	–	1,745.83	2,095.00
			–	○	212.50	255.00
<b>Comfort</b>						
Memory package Additional four-way electric lumbar support for front passenger seat Front seats, front head restraints, steering column and exterior door mirrors – electrically adjustable with memory		P64	○	●	775.00	930.00
Ambient lighting Choice of three colour settings for door panels and dashboard, single-tone for double cup holder and rotary air vent controls Illuminated front door sill panels, single-tone, with 'Mercedes-Benz' lettering (GL 350 AMG Sport 4MATIC) or 'AMG' lettering (GL 63 AMG 4MATIC) Footwell lighting in second seat row		876	○	○	304.17	365.00
Ashtray and cigarette lighter	Replaces stowage compartments in front and rear, and 12 V socket in front	311 301	○	○	41.67	50.00
Cup holder – temperature-controlled		311	○	○	183.33	220.00



Item	Notes	GL 350 BlueTEC AMG Sport GL 63 AMG			Basic RRP excl. VAT (£)	Total RRP incl. VAT (£)
<b>Comfort (continued)</b>						
EASY-ENTRY system This system facilitates access to the third seat row from both sides at the touch of a button. The backrests and bench seat of the second row of seats can be folded forward electrically with a split of 60% (left) to 40% (right)		843	<input type="radio"/>	<input type="radio"/>	341.67	410.00
Front seats – comfort-ventilated	Leather on front seats is perforated when this option is chosen. Only with leather upholstery. Not in conjunction with ARTICO leather <sup>1</sup> (code 101, 105 or 108)	401	<input type="radio"/>	<input type="radio"/>	625.00	750.00
Garage door opener – integrated in rear-view mirror For questions regarding compatibility please visit <a href="http://www.homelink.com">www.homelink.com</a>		231	<input type="radio"/>	<input type="radio"/>	191.67	230.00
KEYLESS-GO Includes door handles with chrome inlay		889	<input type="radio"/>	<input checked="" type="radio"/>	775.00	930.00
Multi-contour front seats Inflatable air chambers allow the front seats to be individually adjusted – from seat cushion depth via the side bolsters to the position and curvature of the backrest. A lumbar adjustment gives added support to the spine. The massage function with seven zones and two selectable intensity settings helps to avoid muscle tension. Added comfort and safety is offered by the luxury head restraints		399	<input type="radio"/>	<input checked="" type="radio"/>	958.33	1,150.00
Panoramic glass sunroof Consists of a fixed panoramic glass sunroof above the 2nd seat row and an electrically operated sliding glass front section; both panels with electrically operated interior sun blinds; also includes electrically operated vent windows for third seat row		413	<input type="radio"/>	<input type="radio"/>	766.67	920.00



Item	Notes			Basic RRP excl. VAT (£)	Total RRP incl. VAT (£)
		GL S50 BlueTEC AMG Sport	GL 63 AMG		
<b>Comfort (continued)</b>					
Power closing front and rear doors		883	○ ○	479.17	575.00
Rear seats, second row – heated		872	○ ●	295.83	355.00
Sun blinds – rear side windows		297	○ ○	233.33	280.00
Sun visors – double, for driver and front passenger	Included with designo Exclusive package (code X06, X11 and X27)	543	○ ○	83.33	100.00
THERMOTRONIC – luxury automatic climate control Multi-zone function with separate air distribution settings for driver, front passenger and rear Three different climate modes: Focused, Medium and Diffuse		581	○ ●	583.33	700.00
THERMOTRONIC – luxury automatic climate control, rear Rear passengers enjoy even greater climate comfort with an additional climate zone for the third seat row. Temperature and air distribution can be individually set for the rear compartment using a control panel on the rear of the centre console	Only in conjunction with luxury automatic climate control (code 581)	582	○ ○	437.50	525.00
Through-loading facility – above rear armrest	Not in conjunction with EASY-ENTRY system, electrically operated (code 843)	282	○ ○	166.67	200.00



Item	Notes					Basic RRP excl. VAT (£)	Total RRP incl. VAT (£)
<b>Security and Safety</b>							
Driving Assistance package Active Blind Spot Assist displays a red triangle in the exterior mirrors. When a road user is detected in the blind spot, the red triangle flashes and an audible warning sounds if the driver operates the indicators. Includes course-correcting braking intervention. Active Lane Keeping Assist detects signs of inadvertent drifting out of lane and warns the driver by vibrating the steering wheel and, if necessary, triggers one-sided braking intervention. BAS PLUS can lower the risk of rear-end collisions and support the driver during emergency braking by providing additional brake pressure. DISTRONIC PLUS helps the driver to maintain a safe distance to the vehicle in front and so relieves the strain on the driver, especially on long journeys or in a traffic jam. PRE-SAFE® Brake warns the driver if it detects that a rear-end collision is imminent and, if there is no reaction, can take autonomous action to reduce the speed – even to the extent of full brake application	Not in conjunction with Lane Tracking package (code 22P)	23P	<input type="radio"/>	<input type="radio"/>		1,958.33	2,350.00
Lane Tracking package Blind Spot Assist Lane Keeping Assist	Not in conjunction with Driving Assistance package (code 23P)	22P	<input type="radio"/>	<input type="radio"/>		654.17	785.00
Airbags – rear sidebags		293	<input type="radio"/>	<input type="radio"/>		295.83	355.00
Fire extinguisher		682	<input type="radio"/>	<input type="radio"/>		104.17	125.00
Night View Assist Plus Aids recognition of pedestrians or larger animals at night: they are clearly shown on the multi-function display		610	<input type="radio"/>	<input type="radio"/>		1,087.50	1,305.00

GL 350 BlueTEC AMG Sport  
GL 63 AMG





Item	Notes	GL 550 BlueTEC AMG Sport		Basic RRP excl. VAT (£)	Total RRP incl. VAT (£)
		GL 63 AMG			
<b>Communications and In-Car Entertainment</b>					
COMAND Online system with Media Interface and integrated 6-disc changer		512	<input type="radio"/>	262.50	315.00
Rear seat entertainment system Single DVD player Two 8-inch screens mounted on the back of front head restraints Two sets of wireless headphones and remote control	TV reception available in conjunction with TV tuner (code 865)	864	<input type="radio"/>	1,695.83	2,035.00
SPLITVIEW for COMAND Online system Enables the COMAND Online system to display different content for driver and front passenger		867	<input type="radio"/>	850.00	1,020.00
Surround sound system – Bang & Olufsen BeoSound AMG 14 high-performance speakers with twin illuminated tweeter lenses	Not in conjunction with Harman Kardon® Logic 7® surround sound system (code 810). Please note that space-saver spare wheel is replaced by TIREFIT	811	<input type="radio"/>	3,612.50	4,335.00
Surround sound system – Harman Kardon® Logic 7® with Dolby Digital 5.1 and DTS 14 high-performance speakers and additional amplifier	Not in conjunction with Bang & Olufsen BeoSound AMG surround sound system (code 811)	810	<input type="radio"/>	733.33	880.00
Telephone pre-wiring with hands-free facility A separate cradle for your mobile phone needs to be ordered as an accessory from your Retailer	Works in conjunction with the multi-function steering wheel and display. The phone cradle is mounted in the front centre armrest. It is recommended that a compatible handset is sourced prior to ordering a cradle	386	<input type="radio"/>	341.67	410.00
TV tuner – digital reception		865	<input type="radio"/>	862.50	1,035.00
<b>Service Package</b>					
Service Care Service Care allows you to spread the cost of servicing your new car in the Mercedes-Benz Retailer network. Taking out a Service Care plan ensures your servicing needs are taken care of by fully trained Mercedes-Benz Technicians with the added benefit of a Mercedes-Benz service history	Price is based on a monthly rate. Example given is for two services taken over 24 months, three services over 36 months or four services over 48 months. Further payment options are available. New Service Care prices apply only to vehicles up to 12 months old prior to first service		<input type="radio"/>	25.00	30.00
			<input type="radio"/>	35.00	42.00



## Genuine Accessories

We've developed a range of Accessories you can add to help personalise and enhance your GL. Whether sporty or elegant, the design is perfectly adapted to your Mercedes-Benz. Your local Mercedes-Benz Retailer can advise on fitting costs of Accessories, where applicable. Further information on our selection of Genuine Accessories can be found on the Mercedes-Benz UK website.



### 01 | Deep boot tub

Deep edges offer all round protection for your boot. Impact-resistant HD-PE plastic. Suitable for transporting shopping. Easy clean. Ribbed structure for added strength. Lightweight – easy to insert and remove.

Basic RRP £160.00 (excl. VAT) **Total RRP £192.00 (incl. VAT)**



### 02 | New Alustyle bicycle rack

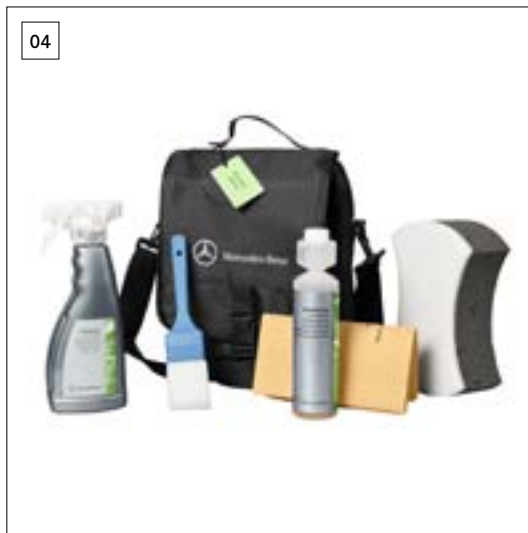
Extremely lightweight bicycle rack, designed to be attached to the carrier bars. Cycles can either be attached to the rack once it has been fitted to the roof or before it is fitted. Support frame folds down when not in use to reduce drag when travelling without cycles.

Basic RRP £99.17 (excl. VAT) **Total RRP £119.00 (incl. VAT)**



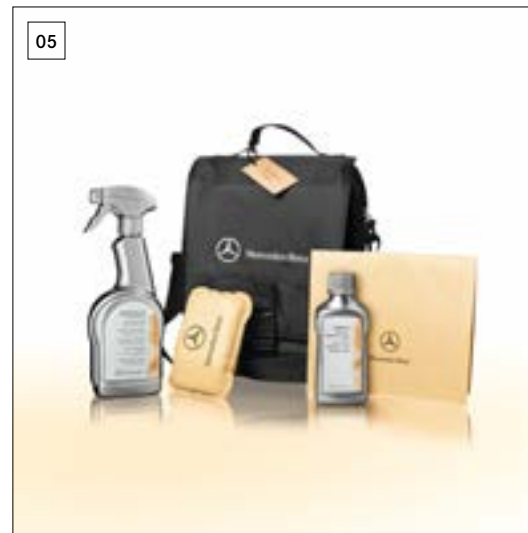
**03 | iPad® Docking Station Plus for rear compartment**

The ergonomic, crashproof Docking Station introduces the iPad® and all of its familiar functions to your Mercedes-Benz. The mount can be tilted and rotated around 90°. Suitable for all iPad® models. Basic RRP £186.67 (excl. VAT) **Total RRP £224.00 (incl. VAT)**



**04 | Exterior Car Care Kit**

The Mercedes-Benz Exterior Car Care Kit is a four-piece collection to keep the exterior of your car looking like it's come straight from the showroom. The bag contains car shampoo, wheel cleaner, sponge and polishing cloth. Basic RRP £20.83 (excl. VAT) **Total RRP £25.00 (incl. VAT)**



**05 | Interior Car Care Kit**

The Mercedes-Benz Interior Car Care Kit is a four-piece collection enabling you to maintain a spotless showroom finish inside your car. The bag contains cabin care spray, interior glass cleaner, interior glass sponge and car cloth. Basic RRP £20.83 (excl. VAT) **Total RRP £25.00 (incl. VAT)**



> View offers



Book a > test drive > AMG test drive



> Find a Retailer



> View the Range Guide

### 06 | Floor mat trays

Robust, washable synthetic material, designed for heavy use. Covers the entire footwell. The raised edges and structured surface help keep the floor clean and dry. With distinctive Mercedes-Benz lettering.

Basic RRP £130.83 (excl. VAT) **Total RRP £157.00 (incl. VAT)**

### 07 | Coat hanger, on head restraint, chrome/black metal

It's easy to arrive looking smart: the sturdy coat hanger allows you to hang up items of clothing on board. Rounded ends protect the fabric. Easy to secure in place behind the head restraint and to remove.

Basic RRP £28.33 (excl. VAT) **Total RRP £34.00 (incl. VAT)**



### 08 | Carrier bars for roof rails

The quick-fastening carrier bars for roof rails require no tools, and are the multifunctional basis for all Mercedes-Benz transport and leisure accessories such as roof boxes, bicycle racks and ski racks. Locking plastic caps help prevent theft.

Basic RRP £240.83 (excl. VAT) **Total RRP £289.00 (incl. VAT)**

### 09 | Mercedes-Benz roof box, 450 litres

Multi-purpose roof box offering an impressive amount of space. Impact-resistant, sturdy and durable with openings on both sides. A single lock system with 3 locking mechanisms on each side. Gas-filled struts for easy opening and closing of the lid and straps to hold contents in place. Maximum load capacity 75 kg.

Basic RRP £387.50 (excl. VAT) **Total RRP £465.00 (incl. VAT)**

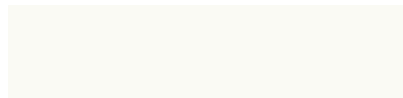




# Colours and materials

## Non-metallic paint

No-cost option



149 polar white

## Metallic paints

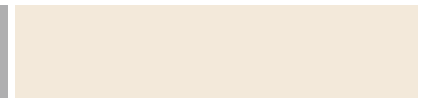
Standard



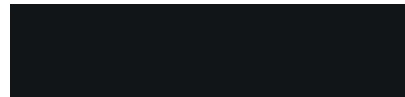
151 cinnabar red



775 iridium silver



799 designo diamond white<sup>1</sup>



197 obsidian black



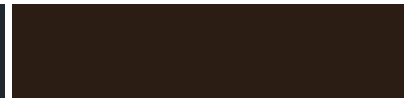
792 palladium silver



890 cavansite blue



755 tenorite grey



796 citrine brown



988 diamond silver

<sup>1</sup>Additional-cost option Please note that, owing to limitations of the printing process, paint colours may differ from those shown





**ARTICO leather<sup>1</sup>**

Standard on GL 350 BlueTEC 4MATIC AMG Sport



101 black



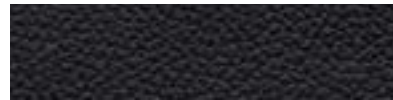
105 almond beige



108 alpaca grey

**Leather**

Optional; standard on GL 63 AMG 4MATIC



201 black



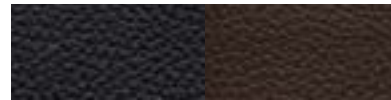
205 almond beige



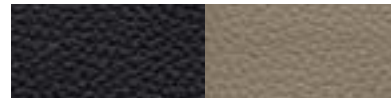
208 alpaca grey

**Two-tone leather**

Optional



254 black/tobacco brown



255 black/almond beige



258 black/alpaca grey

**Trim**



739 brushed light aluminium<sup>2,3</sup>



729 black poplar wood, gloss<sup>4,5</sup>



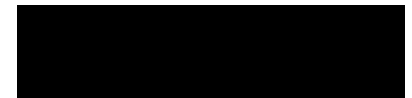
731 brown burr walnut wood, gloss<sup>4,5</sup>



734 brown eucalyptus wood, gloss<sup>4,5,6</sup>



H09 brown open-pore ash wood<sup>4,5</sup>



W69 designo black piano lacquer<sup>4,5</sup>

<sup>1</sup>Man-made leather <sup>2</sup>Standard <sup>3</sup>Includes sports steering wheel on GL 350 BlueTEC 4MATIC AMG Sport <sup>4</sup>Optional <sup>5</sup>Sports steering wheel is replaced on GL 350 BlueTEC 4MATIC AMG Sport <sup>6</sup>Optional on GL 350 BlueTEC 4MATIC AMG Sport



# Trim and upholstery combinations

	ARTICO leather <sup>1</sup> /leather			Two-tone leather		
	Std. on GL350 BlueTEC 4MATIC AMG Sport/optional; std. on GL 63 AMG 4MATIC			Optional		
	black (101/201)	almond beige (105/205)	alpaca grey (108/208)	black/tobacco brown (254)	black/almond beige (255)	black/alpaca grey (258)
<b>Dashboard</b>						
Steering wheel	black	mocha brown	dark basalt grey	black	black	black
Upper dashboard trim	black	mocha brown	dark basalt grey	black	black	black
Lower dashboard trim	black	almond beige	alpaca grey	black	black	black
<b>Seats</b>						
Seat cushion centre section	black	almond beige	alpaca grey	tobacco brown	almond beige	alpaca grey
Side bolster trim	black	almond beige	alpaca grey	marron	almond beige	alpaca grey
Head restraint	black	almond beige	alpaca grey	marron	almond beige	alpaca grey
Seat belt	black	almond beige	alpaca grey	black	black	black
<b>Doors</b>						
Beltline door trim	black	almond beige	alpaca grey	black	black	black
Centreline door trim	black	almond beige	alpaca grey	marron	almond beige	alpaca grey
Lower door trim	black	almond beige	alpaca grey	black	black	black
<b>Roof lining</b>	alpaca grey	almond beige	alpaca grey	black	black	black
<b>Floor covering</b>						
Front and rear	black	almond beige	dark basalt grey	black	black	black
Boot	black	almond beige	dark basalt grey	black	black	black

<sup>1</sup>Man-made leather



# Combination options

		Non-metallic paint No-cost option	149 polar white	Metallic paints Standard	151 cinnabar red	197 obsidian black	755 tenorite grey	775 iridium silver	792 palladium silver	796 citrine brown	799 designo diamond white <sup>2</sup>	890 cavansite blue	988 diamond silver
<b>ARTICO leather<sup>1</sup>/leather</b>													
	black	●			●	●	●	●	●	●	●	●	●
	almond beige	●			●	●	○	○	○	●	●	○	○
	alpaca grey	●			●	●	●	●	●	○	●	●	●
<b>Two-tone leather</b>													
	black/tobacco brown	●			○	●	●	●	●	●	●	●	●
	black/almond beige	●			●	●	●	●	●	●	●	●	●
	black/alpaca grey	●			●	●	●	●	●	○	●	●	●

[View offers](#)[Book a test drive](#) [AMG test drive](#)[Find a Retailer](#)[View the Range Guide](#)

42

# Technical data

		Diesel engine	Petrol engine
<b>Model</b>		GL 350 BlueTEC 4MATIC AMG Sport	GL 63 AMG 4MATIC
<b>Engine</b>			
Total displacement	cc	2,987	5,461
Arrangement/cylinders/valves		V/6/24	V/8/32
Power <sup>1</sup>	hp (kW) at rpm	258 (190)/3,600	557 (410)/5,250-5,750
Torque <sup>1</sup>	Nm at rpm	620/1,600-2,400	760/2,000-5,000
<b>Transmission</b>			
7G-TRONIC PLUS 7-speed automatic		●	-
AMG SPEEDSHIFT PLUS 7G-TRONIC 7-speed automatic		-	●
<b>Performance</b>			
Acceleration 0-62 mph	sec	7.9	4.9
Top speed	mph	137	155 <sup>2</sup> (168 <sup>3</sup> )

● Standard ○ Optional - Not available



	Diesel engine	Petrol engine
<b>Model</b>	GL 350 BlueTEC 4MATIC AMG Sport	GL 63 AMG 4MATIC

**Weights and capacities**

Kerb weight	kg	2,455	2,580
Perm. Gross Vehicle Weight	kg	3,250	3,250
Towing capacity – unbraked		750	750
braked	kg	3,500	3,250
Boot capacity	l		
max. behind 1st row of seats		2,300	2,300
max. behind 2nd row of seats		680	680
max. behind 3rd row of seats		295	295
Fuel tank capacity/of which reserve	l	100/12	100/14
Turning circle	m	12.45	12.45
Wading depth – standard		500	500
with Off-Road package range	mm	500–600	–

**Fuel consumption<sup>4,5</sup>**

mpg

Urban	32.5	17.9
Extra-urban <sup>6</sup>	38.7	27.4
Combined	36.2	23.0





	Diesel engine	Petrol engine
<b>Model</b>	GL 350 BlueTEC 4MATIC AMG Sport	GL 63 AMG 4MATIC
<b>CO<sub>2</sub> emissions<sup>5</sup></b>	g/km	
Emissions standard	EU6	EU6
21" AMG alloy wheels	205	288
<b>Insurance</b>		
Group rating	49A	50A
Insurance ratings may vary depending on model specification. Please refer to <a href="http://www.thatcham.org/abigrouprating/">http://www.thatcham.org/abigrouprating/</a> for further details		

<sup>1</sup>Figures according to Directive 80/1269/EEC in the currently applicable version<sup>2</sup>Electronically limited<sup>3</sup>In conjunction with AMG Driver's package<sup>4</sup>All figures are based on a standard specification with the smallest tyre size<sup>5</sup>The choice of wheels and transmission may affect CO<sub>2</sub> emissions and corresponding Road Fund Licence<sup>6</sup>EUDC: extra-urban driving cycle. Testing procedures adhere to EU Directive 93/116The figures on pages 42-45 are correct at time of going to print. Please refer to the government website for latest data - <http://www.dft.gov.uk/vca>



> View offers



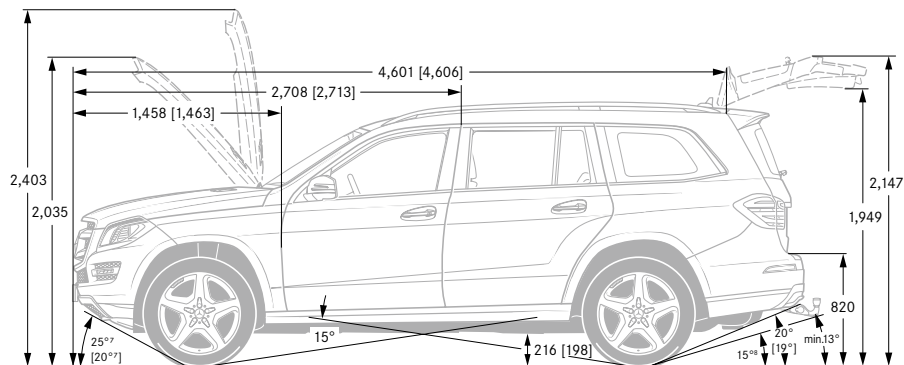
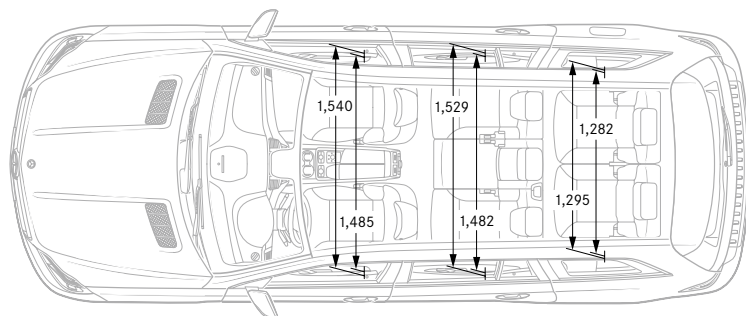
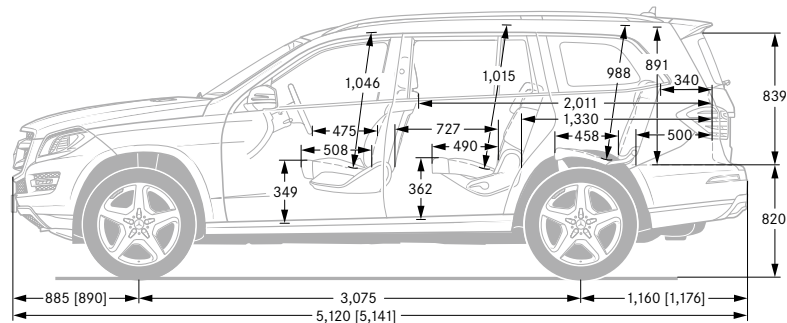
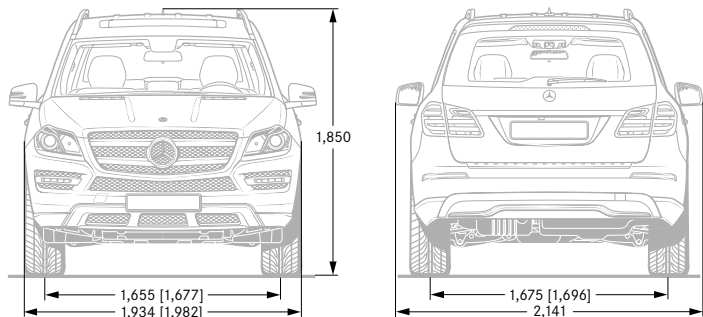
Book a > test drive > AMG test drive



> Find a Retailer



> View the Range Guide



Figures in square brackets relate to GL 63 AMG 4MATIC

\*Approach angle: 25° - 30° range; with On- & Off-Road package 25° - 33° range; AMG models 19° - 23° range

\*Departure angle: 20° - 25° range; with On- & Off-Road package 20° - 27° range; AMG models 19° - 22° range

All measurements in millimetres. The dimensions shown are mean values and apply to standard-specification, unladen vehicles



## Road Fund Licence



All road vehicle registrations are subject to Vehicle Excise Duty (Road Fund Licence), which varies in accordance with the vehicle's CO<sub>2</sub> emissions. A first year rate of Vehicle Excise Duty applies to new cars on their first year of registration. For the second and subsequent years a standard rate for each taxation band will apply.<sup>1</sup> The table below shows the bands (A–M) created by the DVLA and the corresponding Road Fund Licence. CO<sub>2</sub> emissions are listed in the technical specifications on page 44, and the relevant Excise Duty is reflected in the on-the-road prices on page 11.

Band	CO <sub>2</sub> emissions	First year rate (£)	Standard rate (£)
A	up to 100 g/km	0.00	0.00
B	101 to 110 g/km	0.00	20.00
C	111 to 120 g/km	0.00	30.00
D	121 to 130 g/km	0.00	110.00
E	131 to 140 g/km	130.00	130.00
F	141 to 150 g/km	145.00	145.00
G	151 to 165 g/km	180.00	180.00
H	166 to 175 g/km	295.00	205.00
I	176 to 185 g/km	350.00	225.00
J	186 to 200 g/km	490.00	265.00
K	201 to 225 g/km	640.00	290.00
L	226 to 255 g/km	870.00	490.00
M	over 255 g/km	1,100.00	505.00

<sup>1</sup>For further information on the above vehicle taxation changes please refer to <https://www.gov.uk/calculate-vehicle-tax-rates>

# Services and insurance

## Mercedes-Benz Service Care

We believe that servicing costs should be as flexible and affordable as possible for your GL, which is why we offer Service Care, an easy way to budget for all your servicing costs. It spreads your bills into manageable payments based on whether you have a new or used Mercedes-Benz.

With Service Care we guarantee the price of parts and labour for up to four services and safeguard against further inflation. It also covers the cost of all recommended service items including brake fluid, spark plugs, air filters, fuel filters and screen wash.

You can choose either to add your servicing costs into your monthly spend or pay the full amount in a one-off payment, giving you peace of mind that they are taken care of for the period of the plan.

To receive a personalised Service Care plan recommendation visit the Service Care Calculator at [www.mercedes-benz.co.uk/servicecare](http://www.mercedes-benz.co.uk/servicecare)

## Warranty and breakdown cover

Every Mercedes-Benz comes with a three-year unlimited mileage warranty against manufacturing or material defects<sup>1</sup> and up to 30 years warranty against perforation due to corrosion from the inside out.<sup>2</sup> What's more, it's also covered by Mercedes-Benz Roadside Assistance – a unique package comprising up to 30 years pan-European breakdown assistance.<sup>2</sup>

## Insurance

Since our name is synonymous with reliability, who better to trust with your motor insurance? Mercedes-Benz Insurance provides a motor insurance policy specifically designed to give you the cover you would expect from Mercedes-Benz. For a motor insurance quotation, call **0345 600 2180**.\*



# Mercedes-Benz Finance

## Why should you finance with Mercedes-Benz?

At Mercedes-Benz we believe a great driving experience should be matched by an equally great ownership experience. That is why we put just as much thought, time and effort into designing our finance options, our service plans and our insurance cover as we do into our vehicles.

We are not in the business of simply providing a loan to fund the purchase of your dream vehicle. We look on it as a journey that we take with you, from the moment you choose your new Mercedes-Benz, to helping you in choosing your next one.

If you would like to find out more about any of our current offers, simply call into your local Mercedes-Benz Retailer where one of our Business Managers will be more than happy to talk you through anything you need to know.

## Helping you find the right solution.

You should find our finance packages are more convenient than a traditional personal loan because:

- Funds are immediately available – no waiting for cheques or loans to clear.
- There is no security required – either against your home or other assets.
- We have clear and transparent rates – the APR we quote is the APR you get.
- We have friendly Business Managers – experts in vehicle finance who can talk you through all of your plans in detail.

One of our most popular finance products is Mercedes-Benz Agility (our Personal Contract Purchase product). We also offer Contract Hire, Operating Lease and Hire Purchase solutions. If you would like to find out more about these speak to your Retailer or visit [www.mercedes-benz.co.uk/fandi](http://www.mercedes-benz.co.uk/fandi).

## Mercedes-Benz Agility (our PCP product).

At the start of an Agility agreement, you put down a deposit and decide the term of your agreement and your annual mileage. You will be advised of the Guaranteed Future Value, which offers you the reassurance of knowing exactly what you will need to pay to own the vehicle outright in the future (this is known as the Optional Purchase Payment).

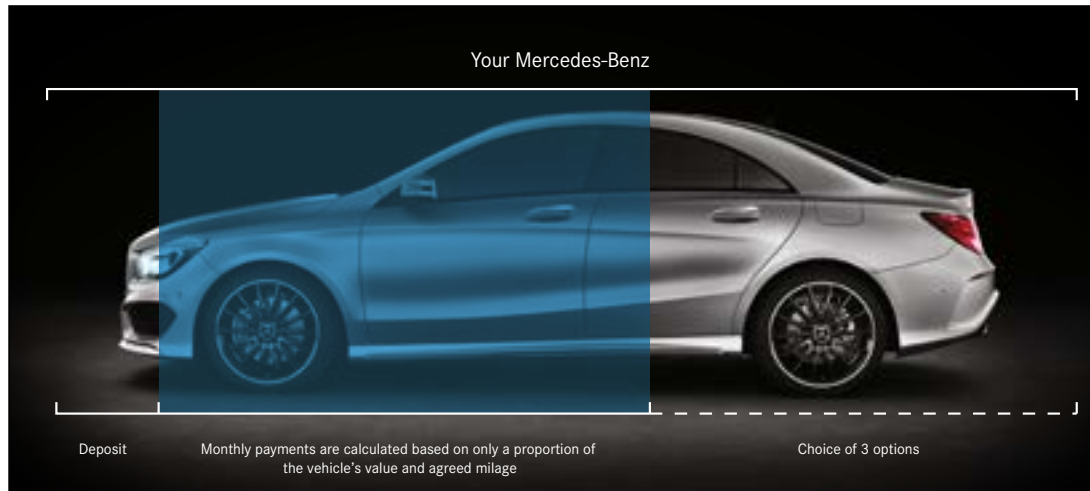
Throughout your agreement you simply pay your agreed monthly payments and when the agreement comes to an end you either purchase, hand back or part-exchange your vehicle.





### Agility features:

- Fixed regular payments mean you can easily budget.
- Payments are based only on a proportion of the vehicle's value, keeping your monthly payments lower.
- Our Guaranteed Future Value avoids the risk of unplanned depreciation of your vehicle.
- You defer your ownership decision until the end of the agreement.



### At the end of your agreement you have three options to choose from.

#### Option 1: Purchase your Mercedes-Benz.

Purchase your Mercedes-Benz by paying the Optional Purchase Payment and Purchase Activation Fee.<sup>1</sup> This will complete the purchase of your Mercedes-Benz, leaving you free to simply enjoy your vehicle.

#### Option 2: Hand back your Mercedes-Benz.

If you decide to return your vehicle to us, it must be in line with our Vehicle Return Standards,<sup>\*</sup> as vehicle condition, excess mileage and other charges may be payable.

#### Option 3: Part-Exchange for a new vehicle.

Purchase your Mercedes-Benz by paying the Optional Purchase Payment and Purchase Activation Fee.<sup>1</sup> This will complete the purchase of your Mercedes-Benz, leaving you free to part-exchange for a new vehicle.

<sup>1</sup>Please note the 'Purchase Activation Fee' of £10 will be debited from your account \*To find out more information about our Vehicle Return Standards please visit <http://mercedes-benz.co.uk/vrs>



> View offers



Book a > test drive > AMG test drive



> Find a Retailer



> View the Range Guide

Follow us on the following social media channels:



<https://www.facebook.com/MercedesBenzUk>



<https://twitter.com/mercedesbenzuk>



<https://www.youtube.com/mercedesbenzuk>



<https://instagram.com/mercedesbenzuk>

Effective from 1 June 2015. Information correct at time of going to print.

Prices and specifications are subject to change without prior notice.

MBX166PL/0615 MY 806 Production from 01.07.2015

Mercedes-Benz UK Ltd, Tongwell, Milton Keynes, MK15 8BA [www.mercedes-benz.co.uk](http://www.mercedes-benz.co.uk)



## Mixed Sources

Product group from well-managed forests, controlled sources and recycled wood or fibre  
[www.fsc.org](http://www.fsc.org) Cert no. SGS-COC-004556  
©1996 Forest Stewardship Council

