



> Book a test drive



> Find a Retailer



> View the Range Guide

# GLE



Effective from 1 September 2015.

Mercedes-Benz





> Book a test drive



> Find a Retailer



> View the Range Guide

# Contents

Model prices	9	Premium package for Mercedes-AMG GLE 63 S 4MATIC	36	Optional equipment	44
Finance offers	10	Pricing summary for Premium and Premium Plus packages	38	Colours and materials	46
Model lines	14	Driving Assistance package	39	Technical data	50
Mercedes-AMG driver training	22	Night package	40	Road Fund Licence	54
Standard equipment	24	Entertainment package	41	Services and insurance	55
Wheels	32	Dynamic package	42	Mercedes me	56
Premium and Premium Plus packages for Sport and AMG Line	34	Off-Road package	43	Mercedes-Benz Finance	58



> Book a test drive



> Find a Retailer



> View the Range Guide

## The hard facts to melt your heart

At Mercedes-Benz we appreciate the importance of detail. Over the following pages you'll find model prices and a breakdown of standard and optional equipment, as well as details of the comprehensive services and benefits that are available to every Mercedes-Benz driver.

See Mercedes-Benz in a new light. Now is the time to get yourself behind the wheel of a GLE. Choose from a number of attractive finance offers. Please see pages 10–13 for further details, or visit [www.mercedes-benz.co.uk/offers](http://www.mercedes-benz.co.uk/offers)

Of course, some things have to be experienced to be truly appreciated, such as the qualities that set a Mercedes-Benz apart. Which is why we'd like to invite you for a test drive at your local Mercedes-Benz Retailer. Alternatively, you can make arrangements by visiting [www.mercedes-benz.co.uk/testdrive](http://www.mercedes-benz.co.uk/testdrive)

For more information visit [www.mercedes-benz.co.uk](http://www.mercedes-benz.co.uk) or call 0333 222 0500.



> Book a test drive



> Find a Retailer



> View the Range Guide

4







> Book a test drive



> Find a Retailer



> View the Range Guide





> Book a test drive



> Find a Retailer



> View the Range Guide

6



Some of the model features, optional extras and colours shown may not be available, or may only be available in a different specification.





> Book a test drive



> Find a Retailer



> View the Range Guide







> Book a test drive



> Find a Retailer



> View the Range Guide

8



Some of the model features, optional extras and colours shown may not be available, or may only be available in a different specification.



[Book a test drive](#)[Find a Retailer](#)[View the Range Guide](#)

# Model prices

Engine	Model line	Transmission	CO <sub>2</sub>	Basic RRP excl. VAT (£)	Total RRP incl. VAT (£)	Road Fund Licence (£) <sup>1</sup>	Rec. OTR price (£) <sup>2</sup>	P11D value (£)	BiK tax rate 2015/16 (%)
<b>GLE 250 d 4MATIC</b> Diesel – 2,143 cc, 4-cylinder, 204 hp/150 kW	Sport	9G-TRONIC 9-speed automatic	155	40,358.33	48,430.00	180.00	49,280.00	49,045.00	29
	AMG Line	9G-TRONIC 9-speed automatic	156	42,358.33	50,830.00	180.00	51,680.00	51,445.00	29
<b>GLE 350 d 4MATIC</b> Diesel – 2,987 cc, 6-cylinder, 258 hp/190 kW	AMG Line	9G-TRONIC 9-speed automatic	179	46,050.00	55,260.00	350.00	56,280.00	55,875.00	33
	designo Line	9G-TRONIC 9-speed automatic	179	53,795.83	64,555.00	350.00	65,575.00	65,170.00	33
<b>GLE 500 e 4MATIC</b> Petrol – 2,996 cc, 6-cylinder, 333 hp/245 kW Electric motor – 116 hp/85 kW	AMG Line	7G-TRONIC PLUS 7-speed automatic	84	53,604.17	64,325.00	0.00	64,995.00	64,940.00	13
	designo Line	7G-TRONIC PLUS 7-speed automatic	84	61,350.00	73,620.00	0.00	74,290.00	74,235.00	13
<b>Mercedes-AMG</b>									
<b>Mercedes-AMG GLE 63 S 4MATIC</b> Petrol – 5,461 cc, 8-cylinder, 585 hp/430 kW		AMG SPEEDSHIFT PLUS 7G-TRONIC 7-speed automatic	276	77,195.83	92,635.00	1,100.00	94,405.00	93,250.00	37

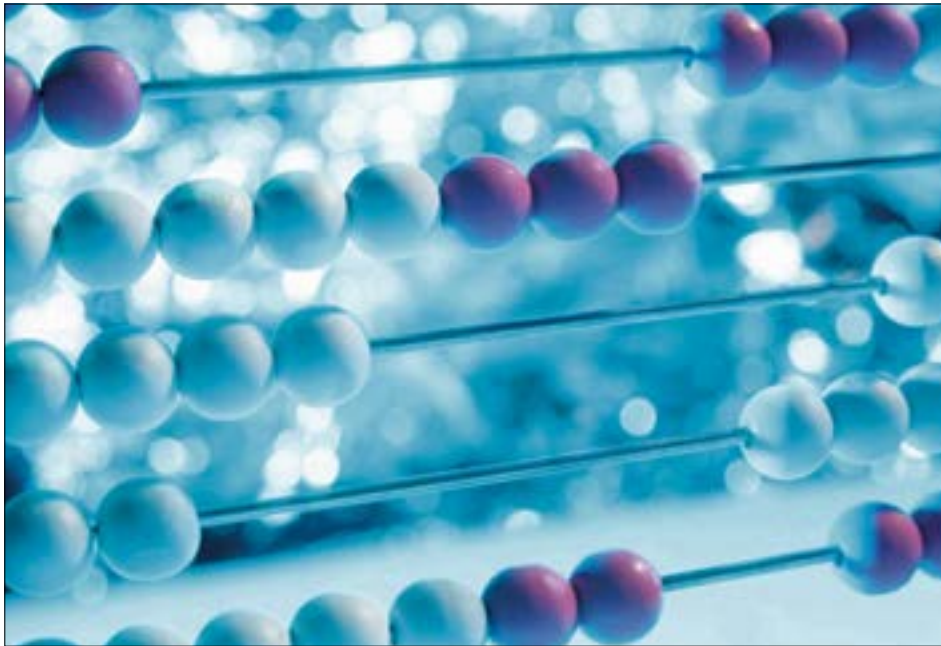
<sup>1</sup>A different first year rate of Vehicle Excise Duty (Road Fund Licence) applies for new cars. Please refer to page 54 for the relevant rate for the second and subsequent years

<sup>2</sup>Recommended on-the-road price: these prices reflect the Road Fund Licence applicable to the standard model plus £670.00 additional costs necessary to put your car on the road. Included are a standard UK delivery charge (£540.00 incl. VAT), new vehicle registration fee (£55.00), number plates (£25.00 incl. VAT) and fuel (£50.00 incl. VAT). VAT is calculated at the standard rate of 20%. A different first year rate of Vehicle Excise Duty (Road Fund Licence) applies for new cars



# Mercedes-Benz Finance

Where the clever money goes



## GLE 250 d 4MATIC Sport with automatic transmission and metallic paint (representative example)

36 monthly payments of <sup>1</sup>	£549.00
On-the-road price	£49,280.00
Customer deposit	£7,499.00
Retailer deposit contribution	£1,755.51
Duration of agreement	36 months
Optional purchase payment <sup>2</sup>	£25,775.00
Purchase activation fee <sup>2</sup>	£10.00
Amount of credit	£40,025.49
Total amount payable <sup>3</sup>	£54,803.51
Representative APR	5.7% APR
Fixed interest rate	5.52%





### Example offers – 5.7% APR Representative

	Automatic	Metallic	On-the-road price	Customer deposit	36 monthly payments of <sup>1</sup>
GLE 250 d 4MATIC AMG Line	●	●	£51,680.00	£7,303.15	£589.00
GLE 350 d 4MATIC AMG Line	●	●	£56,280.00	£9,158.95	£629.00

● Standard equipment

### Mercedes-Benz Service Care

- Mercedes-Benz trained Technicians
- Maintained by Mercedes-Benz Retailers
- Meets requirements of Mercedes-Benz Agility finance agreement

### Mercedes-Benz Motor Insurance

- 24/7 UK accident recovery
- We use Mercedes-Benz GenuineParts
- To qualify for up to 10% discount online, go to [www.mercedes-benz.co.uk/motorinsurance](http://www.mercedes-benz.co.uk/motorinsurance)
- Alternatively, call Mercedes-Benz Motor Insurance now on **0345 600 2180**<sup>4</sup> for an annual quote

We may decline to quote in some circumstances. Mercedes-Benz Motor Insurance is underwritten by Aviva Insurance Limited

Whilst these offers are only available with Mercedes-Benz Finance, our Mercedes-Benz Retailers do arrange finance on behalf of other finance companies as well

Orders/credit approvals on selected new GLE models between 1 October and 31 December 2015, registered by 31 March 2016; excluding AMG GLE 63 models. Some combinations of features/options may not be available.

Please contact your local Mercedes-Benz Retailer for availability

<sup>1</sup>Based on a Mercedes-Benz Agility agreement and 10,000 miles per annum. Vehicle condition, excess mileage and other charges may be payable. Quotations available on request for alternative contract lengths and mileages.

Guarantees and indemnities may be required. Terms and Conditions apply. Credit provided, subject to status, by Mercedes-Benz Financial Services UK Ltd, MK15 8BA

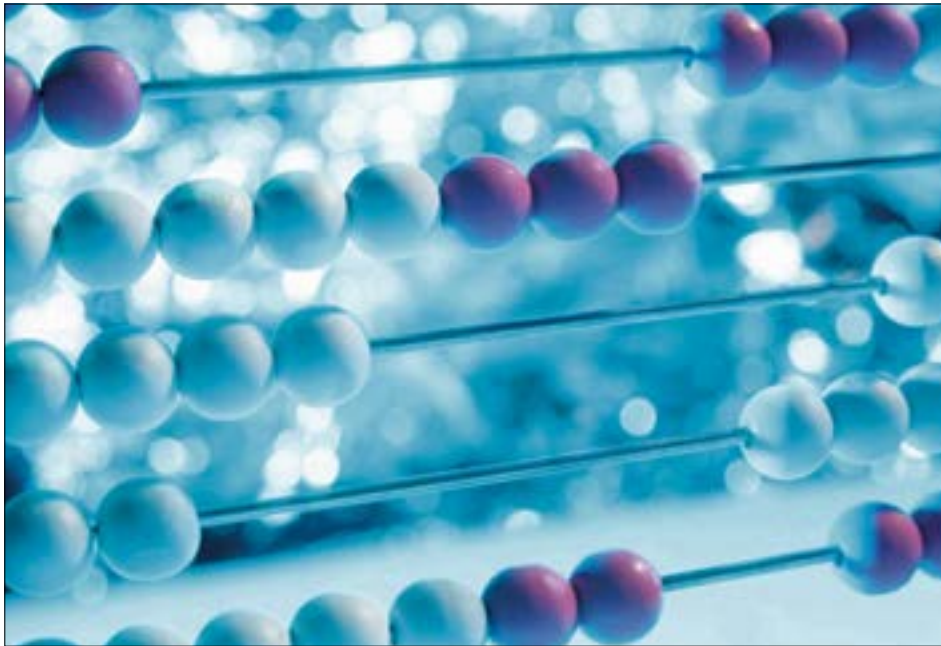
<sup>2</sup>Payable if you exercise the option to purchase the car. Guaranteed future value if you choose to hand back the vehicle at the end of the contract

<sup>3</sup>Includes optional purchase payment, purchase activation fee and Retailer deposit contribution <sup>4</sup>Calls are charged at local rate and may be recorded



# Mercedes-Benz Finance

Even the finance offer is beautifully put together



## Mercedes-AMG GLE 63 S 4MATIC with automatic transmission and metallic paint (representative example)

36 monthly payments of <sup>1</sup>	£1,199.00
On-the-road price	£94,405.00
Customer deposit	£13,597.17
Retailer deposit contribution	£5,000.00
Duration of agreement	36 months
Optional purchase payment <sup>2</sup>	£42,600.00
Purchase activation fee <sup>2</sup>	£10.00
Amount of credit	£75,807.83
Total amount payable <sup>3</sup>	£104,371.17
Representative APR	5.7% APR
Fixed interest rate	5.52%





### Example offers – 5.7% APR Representative

	Automatic	Metallic	On-the-road price	Customer deposit	36 monthly payments of <sup>1</sup>
Mercedes-AMG GLE 63 S 4MATIC	●	●	£94,405.00	£13,597.17	£1,199.00

● Standard equipment

### Mercedes-Benz Service Care

- Mercedes-Benz trained Technicians
- Maintained by Mercedes-Benz Retailers
- Meets requirements of Mercedes-Benz Agility finance agreement

### Mercedes-Benz Motor Insurance

- 24/7 UK accident recovery
- We use Mercedes-Benz GenuineParts
- To qualify for up to 10% discount online, go to [www.mercedes-benz.co.uk/motorinsurance](http://www.mercedes-benz.co.uk/motorinsurance)
- Alternatively, call Mercedes-Benz Motor Insurance now on **0345 600 2180<sup>4</sup>** for an annual quote

We may decline to quote in some circumstances. Mercedes-Benz Motor Insurance is underwritten by Aviva Insurance Limited

Whilst these offers are only available with Mercedes-Benz Finance, our Mercedes-Benz Retailers do arrange finance on behalf of other finance companies as well

Orders/credit approvals on Mercedes-AMG GLE 63 S 4MATIC between 1 October and 31 December 2015, registered by 31 March 2016; excluding non-AMG models. Some combinations of features/options may not be available.

Please contact your local Mercedes-Benz Retailer for availability

<sup>1</sup>Based on a Mercedes-Benz Agility agreement and 10,000 miles per annum. Vehicle condition, excess mileage and other charges may be payable. Quotations available on request for alternative contract lengths and mileages.

Guarantees and indemnities may be required. Terms and Conditions apply. Credit provided, subject to status, by Mercedes-Benz Financial Services UK Ltd, MK15 8BA

<sup>2</sup>Payable if you exercise the option to purchase the car. Guaranteed future value if you choose to hand back the vehicle at the end of the contract

<sup>3</sup>Includes optional purchase payment, purchase activation fee and Retailer deposit contribution <sup>4</sup>Calls are charged at local rate and may be recorded



> Book a test drive



> Find a Retailer



> View the Range Guide

14

## GLE Sport







> Book a test drive



> Find a Retailer



> View the Range Guide

When we say the new GLE Sport is prepared for anything, that's because this SUV is a true multi-talent – celebrated for efficiency, performance and its incredible range of equipment. The GLE Sport comes with its own distinctive features starting with 19" alloy wheels with 5-twin-spoke design in himalaya grey. The interior stands out with ARTICO leather<sup>1</sup> upholstery and brushed light aluminium trim. From your leather-clad 3-spoke multi-function

steering wheel, you can operate the 9G-TRONIC 9-speed automatic transmission via the handy gearshift paddles. You'll also enjoy DYNAMIC SELECT with a choice of driving modes to suit your driving style. And when you return from a journey off the beaten track, the interior matching velour mats offer protection against any mud or dirt.

**Exterior**

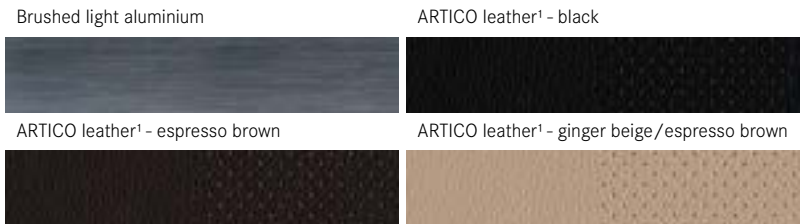
- 19" 5-twin-spoke alloy wheels in himalaya grey with 255/50 tyres
- Mirror package – including projection of Mercedes-Benz logo integrated into both mirrors
- Active Parking Assist with PARKTRONIC and reversing camera
- Adaptive Highbeam Assist Plus
- DYNAMIC SELECT with a choice of driving modes
- EASY-PACK powered tailgate
- Headlamps – LED Intelligent Light System
- Privacy glass

**Interior**

- COMAND Online system with multi-touch control touchpad, 8-inch display and Remote Online
- DAB digital radio tuner

- Front seats – heated
- KEYLESS-GO starting function
- THERMATIC – automatic climate control

**Trim and Upholstery**



<sup>1</sup>Man-made leather with perforations in seat centre panel



> Book a test drive



> Find a Retailer



> View the Range Guide

16

## GLE AMG Line





> Book a test drive



> Find a Retailer



> View the Range Guide

More dynamic, more assertive, more premium SUV – the GLE AMG Line has all the credentials you’d expect. The obligatory AMG bodystyling and AMG sports exhaust system is paired with 5-twin-spoke 20" AMG alloy wheels in titanium grey and a sports brake system with perforated front brake discs. Inside, you’ll find ARTICO leather<sup>1</sup> and a brushed light aluminium trim. The 3-spoke AMG sports steering wheel features black nappa leather with a flat-bottomed rim. It also has gearshift paddles to

control the 9G-TRONIC 9-speed automatic transmission on the GLE 250 d and 350 d. The GLE 500 e comes with 7G-TRONIC PLUS 7-speed automatic transmission. To complement the sporty feel, there are sports pedals in brushed stainless steel with rubber studs and AMG velour floor mats with AMG lettering and edging. The GLE 500 e also comes with Mercedes connect me services for all-round connectivity.

**Exterior**

20" AMG 5-twin-spoke alloy wheels with 265/45 tyres

AIRMATIC air suspension with Adaptive Damping System<sup>2</sup>

AMG bodystyling, comprising AMG-specific front and rear apron with side sill panels painted in the vehicle colour

**Interior**

3-spoke AMG sports steering wheel in black nappa leather with flattened bottom rim

Ambient lighting

AMG floor mats with ‘AMG’ lettering

Brushed stainless-steel sports pedals with rubber studs

Front seats – heated sport seats in ARTICO leather<sup>1</sup>

Instrument cluster featuring distinctive dials in chequered flag design

Sports brake system with perforated front brake discs and brake caliper trim with ‘Mercedes-Benz’ lettering

**Trim and Upholstery**

Brushed light aluminium

ARTICO leather<sup>1</sup> – black



<sup>1</sup>Man-made leather <sup>2</sup>Optional on GLE 250 d; standard with all other engines





> Book a test drive



> Find a Retailer



> View the Range Guide

18

## GLE designo Line



Showing optional designo black piano lacquer



> Book a test drive



> Find a Retailer



> View the Range Guide

The designo Line adds a range of exclusive features to the GLE while retaining the AMG Line's distinctive exterior styling. The exterior sports a panoramic electric sunroof, while Active Parking Assist with PARKTRONIC and a 360° camera aids scratch-free parking. The interior stands out with its very own designo Interior package. It includes designo Exclusive nappa leather

porcelain/black upholstery, and black poplar wood trim, as well as a roof lining in black DINAMICA microfibre. All the seats can be heated, and the multi-contour front seats with massage function are climatized for all-year comfort. The interior air ionisation with air filter adds to your sense of well-being on board this unique GLE.

**Exterior**

---

Active Parking Assist with PARKTRONIC and 360° camera

---

Closing aid for doors and boot lid

---

Panoramic electric sunroof with interior sun blind

---

Running boards with rubber studs

---

**Interior**

---

designo Interior package

---

KEYLESS-GO Comfort package

---

Memory package – including driver's seat, front passenger seat, steering column and exterior mirrors, all electrically adjustable with memory

---

Cup holder – temperature-controlled, for driver and front passenger

---

Front seats – climatized

---

Front seats – multi-contour seats with massage function

---

Heated multi-function steering wheel

---

---

Interior air ionisation with air filter

---

Rear seats – heated

---

Surround sound system – Harman Kardon® Logic 7® with Dolby Digital 5.1 and DTS

---

THERMOTRONIC – luxury automatic climate control

---

**Trim and Upholstery**

---

Black poplar wood



designo Exclusive nappa leather – espresso brown



designo Exclusive nappa leather – porcelain/black





> Book a test drive



> Find a Retailer



> View the Range Guide

20

## Mercedes-AMG GLE 63 S 4MATIC







Apart from the 'V8 BITURBO' lettering on the front wings, you can't miss the 21" AMG alloy wheels on the GLE 63 S 4MATIC. The front apron features an A-wing in high-gloss black, a front splitter painted in the vehicle colour, silver chrome inserts and large cooling air intakes. For the most rewarding dynamic drive, there's the AMG sports suspension with Adaptive Damping System and the ACTIVE CURVE SYSTEM which enhances ride comfort,

agility and safety. The interior is brimming with luxurious AMG touches, starting with AMG Exclusive nappa leather upholstery in black and alpaca grey top-stitching on the AMG sports seats, as well as headrests embossed with the AMG emblem. As you'd expect, there's also an AMG performance steering wheel. Plus, the 4.4-inch AMG instrument cluster lights up in red.

**Exterior**

Mirror package – including projection of Mercedes-Benz logo integrated into both mirrors

Active Parking Assist with PARKTRONIC and reversing camera

AMG high-performance braking system with red brake calipers

AMG sports exhaust system with two chrome-plated twin tailpipes

AMG sports suspension based on AIRMATIC with ACTIVE CURVE SYSTEM – features advanced adjustable damping and roll compensation

DYNAMIC SELECT with a choice of driving modes

Panoramic electric sunroof with interior sun blind

S-Model AMG front and rear aprons

**Interior**

Memory package

AMG floor mats with 'AMG' lettering

AMG instrument cluster

AMG performance steering wheel

Surround sound system – Harman Kardon® Logic 7® with Dolby Digital 5.1 and DTS

**Trim and Upholstery**

Brushed light aluminium

AMG Exclusive nappa leather – black with grey stitching



AMG Exclusive nappa leather – espresso brown/black

AMG Exclusive nappa leather – porcelain/black





> Book a test drive



> Find a Retailer



> View the Range Guide

22

## Exclusive driver training for Mercedes-AMG owners

All Mercedes-AMG customers are invited to a complimentary AMG Driving Academy Training experience at Mercedes-Benz World.



With friendly one-to-one tuition from a professional Mercedes-AMG driver, your training will be personalised to you. You'll push Mercedes-AMG driving performance and your driving skills to the limits on our track and purpose-built low friction dynamic handling facilities.

Through high-speed and adrenaline-fuelled exercises you'll experience oversteer, understeer, slaloms and many more performance driving skills. Designed as part of your ownership experience, this will lay the foundations to master a high-performance vehicle, develop driving skills with maximum enjoyment and prepare you to take full command of your own Mercedes-AMG.

**TERMS AND CONDITIONS:** Only the first purchaser/registered keeper of a newly registered Mercedes-AMG is eligible for this complimentary AMG Driving Academy Training experience which is the AMG BASIC-Training as detailed above. The Training experience must be booked and taken within six months of delivery of your Mercedes-AMG; it cannot be exchanged and cannot be transferred for any other driving experience. The Training experience is available Monday to Friday only and is subject to availability. Mercedes-Benz UK Limited reserves the right to amend or withdraw this Training experience. Attendees must hold a full UK driving licence. Attendees will be required to sign the Mercedes-Benz World Driving Risk Acknowledgement prior to undertaking the Training experience. The Training experience is also subject to full Terms and Conditions, which are available on request.



> Book a test drive



> Find a Retailer



> View the Range Guide







> Book a test drive



> Find a Retailer



> View the Range Guide

24

## Standard equipment



Touchpad



Active Parking Assist with PARKTRONIC and reversing camera



EASY-PACK powered tailgate



Headlamps – LED Intelligent Light System



Projection of Mercedes-Benz logo, part of the Mirror package<sup>1</sup>



KEYLESS-GO starting function

<sup>1</sup>Wheels shown are not available in the UK



Item	Sport	AMG Line	designo Line	Mercedes-AMG
<b>Transmission and Suspension</b>				
AMG SPEEDSHIFT PLUS 7G-TRONIC 7-speed automatic transmission with steering column gear selector, DIRECT SELECT steering wheel gearshift paddles and SPEEDTRONIC cruise control	-	-	-	●
7G-TRONIC PLUS 7-speed automatic transmission with steering column gear selector, DIRECT SELECT steering wheel gearshift paddles and SPEEDTRONIC cruise control GLE 500 e	-	●	●	-
9G-TRONIC 9-speed automatic transmission with steering column gear selector, DIRECT SELECT steering wheel gearshift paddles and SPEEDTRONIC cruise control GLE 250 d and GLE 350 d	●	●	●	-
ACTIVE CURVE SYSTEM Enhances ride comfort, agility and safety at high speed, when cornering and when driving off-road	-	-	-	●
AIRMATIC air suspension with Adaptive Damping System GLE 350 d, GLE 500 e and GLE 63 S	-	●	●	●
AMG sports suspension – improves driving dynamics as well as ride comfort in both on- and off-road conditions. AMG spring struts and shock absorbers ensure even less body roll and outstanding turn-in properties	-	-	-	●
DYNAMIC SELECT with a choice of driving modes: 'Comfort', 'Sport', 'Slippery', 'Offroad' and 'Individual'	●	●	●	-
DYNAMIC SELECT with a choice of driving modes: 'Comfort', 'Sport', 'Sport+', 'Slippery' and 'Individual'	-	-	-	●
ECO start/stop function	●	●	●	●
Permanent four-wheel drive	●	●	●	●
Steel suspension – lowered GLE 250 d	●	●	-	-

● Standard ○ Optional - Not available

Item	Sport	AMG Line	designo Line	Mercedes-AMG
<b>Steering</b>				
3-spoke AMG Performance steering wheel in black nappa leather/ DINAMICA microfibre	-	-	-	●
3-spoke AMG sports steering wheel in black nappa leather with flattened bottom rim	-	●	-	-
3-spoke heated multi-function steering wheel	-	-	●	-
3-spoke multi-function steering wheel in nappa leather	●	-	-	-
AMG speed-sensitive sports steering	-	-	-	●
Direct-Steer system with speed-sensitive power assistance	●	●	●	-
Steering column – manually adjustable for height and reach	●	●	-	-
<b>Exterior</b>				
Mirror package Including heated exterior mirrors, automatically dimming rear view mirror and exterior mirror on driver's side, electrically folding exterior mirrors left and right and projection of Mercedes-Benz logo integrated into both mirrors	●	●	●	●
Active Parking Assist with PARKTRONIC and 360° camera Active Parking Assist with PARKTRONIC makes finding a parking space as well as parking in and leaving parallel or on-end parking spaces easier. The 360° camera enables parking and manoeuvring with a realistic all-round view thanks to the interaction of four networked cameras	-	-	●	-



Item	Sport	AMG Line	designo Line	Mercedes-AMG
<b>Exterior (continued)</b>				
Active Parking Assist with PARKTRONIC and reversing camera PARKTRONIC monitors the front and rear end while the driver is manoeuvring the vehicle and gives a warning if the risk of a collision is detected. Active Parking Assist makes it easier to find a parking space and also automatically steers the vehicle into parking spaces	●	●	–	●
Adaptive Highbeam Assist Plus	●	●	●	●
AMG bodystyling – front and rear bumpers, side skirts	–	●	●	–
AMG bodystyling with exclusive GLE 63 S front and rear aprons	–	–	–	●
AMG door sill panels in brushed stainless steel with ‘AMG’ lettering	–	–	–	●
AMG sports exhaust system with two chromed twin tailpipes	–	–	–	●
AMG high-performance braking system with red brake calipers Delivers excellent stopping power plus precision brake control with internally ventilated and perforated brake discs all round	–	–	–	●
Charging cable for household socket (mode 2) – 4 m, 8 A GLE 500 e	–	●	●	–
Charging cable for wallbox and public charging stations (mode 3) – 4 m, 16 A GLE 500 e	–	●	●	–
Closing aid for doors and boot lid Power closing ensures smooth and virtually silent closing. Once they have initially engaged, the front and rear doors are automatically drawn closed by servomotors	–	–	●	–

Item	Sport	AMG Line	designo Line	Mercedes-AMG
Diesel Particulate Filter (DPF) GLE 250 d and GLE 350 d	●	●	●	–
EASY-PACK powered tailgate The EASY-PACK boot lid can be opened and closed at the touch of a button for more convenient loading and unloading of the boot	●	●	●	●
Headlamps – LED Intelligent Light System LED headlamps, high beam and direction indicator LED position light, cornering light and daytime running lamps Dynamic headlamp range adjustment for ideal visibility in all weather, lighting and driving conditions Variable light distribution for driving on country roads and motorways as well as in heavy fog Active light function allows headlamps to pivot into bends by up to 15° to illuminate road surface more effectively, improving visibility Cornering light function: two LEDs per headlamp improve road illumination in tight bends by automatically switching on cornering light on the relevant side Enhanced fog lamp function illuminates outer half of the carriageway more effectively while reducing glare due to light reflected by fog. Can be activated at speeds below 44 mph and remains switched on up to 62 mph Welcome home function lights up LED fibre optics in the headlamps in blue after unlocking the vehicle, transitioning to white locator lighting	●	●	●	●



Item	Sport	AMG Line	designo Line	Mercedes-AMG
Heated windscreen washer system	●	●	●	●
LED tail lamps	●	●	●	●
Panoramic electric sunroof with interior sun blind	-	-	●	●
Privacy glass – dark glass from B-pillar backwards	●	●	●	●
Rain-sensing wipers	●	●	●	●
Rear screen wash/wiper	●	●	●	●
Roof rails – aluminium finish	●	●	●	●
Running boards with rubber studs	-	-	●	-
Scratch guard on load compartment sill – chrome	●	●	●	●
Tinted glass all round – single-layer safety glass	●	●	●	●
'V8 BITURBO' lettering on front wings	-	-	-	●

Item	Sport	AMG Line	designo Line	Mercedes-AMG
<b>Interior</b>				
Memory package Driver's seat, front passenger seat, steering column and exterior mirrors – electrically adjustable with memory	-	-	●	●
12V socket in front and rear of centre console and in load compartment	●	●	●	●
Ambient lighting Illumination for double cup holder, rear footwells, rotary air vent controls, front door sill panels with 'Mercedes-Benz' lettering illuminated in white ('AMG' lettering for GLE 63 S), warning/courtesy lights in the rear	-	●	●	●
AMG instrument cluster with large (4.4-inch) multi-function display and AMG main menu with red highlights	-	-	-	●
AMG sports seats with optimised lateral support and AMG badge in front seat backrests	-	-	-	●
Centre armrests – front, with stowage compartment	●	●	●	●
Centre armrests – rear, folding	●	●	●	●
Cup holders – front (2) and rear (2)	●	●	●	●





## Standard equipment

Item	Sport	AMG Line	designo Line	Mercedes-AMG
<b>Interior (continued)</b>				
Cup holders – temperature-controlled for driver and front passenger	–	–	●	●
Dashboard – upper and lower sections, armrest in centre console, beltline and door panels in nappa leather	–	–	●	●
Door centre panels with ribbed design in ARTICO leather <sup>1</sup>	●	●	●	●
Door sill panels with 'Mercedes-Benz' lettering	●	●	●	–
Floor mats – AMG floor mats with edging and embroidered 'AMG' lettering	–	●	–	●
Floor mats – designo floor mats with edging in designo leather and 'designo' badges	–	–	●	–
Floor mats – velour mats in interior colour Coloured the same as the car's appointments, the velour floor mats fit in perfectly with the high-quality interior and effectively protect the footwell against soiling	●	–	–	–
Front seats – full electric adjustment (backrest, height and longitude) with four-way electric lumbar support for driver's seat	●	●	●	●
Front seats – climatized	–	–	●	–

Item	Sport	AMG Line	designo Line	Mercedes-AMG
Front seats – heated	●	●	–	●
Front seats – multi-contour seats with massage function	–	–	●	–
Interior air ionisation with air filter	–	–	●	–
KEYLESS-GO starting function	●	●	●	●
Luggage compartment cover	●	●	●	●
Rear seats – heated	–	–	●	●
Rear seats – split folding 1/3:2/3	●	●	●	●
Sports pedals in brushed stainless steel with rubber studs	–	●	–	●
Sun visors with illuminated vanity mirrors	●	●	●	●
THERMATIC – automatic climate control	●	●	–	–
THERMOTRONIC – luxury automatic climate control Multi-zone function with separate air distribution settings for driver/front passenger and rear. Three different climate modes: Focused, Medium and Diffuse	–	–	●	●



Item	Sport	AMG Line	designo Line	Mercedes-AMG
<b>Paint, Trim and Upholstery</b>				
Paint – non-metallic or metallic	●	●	●	●
Trim – black poplar wood	-	-	●	-
Trim – brushed light aluminium	●	●	-	●
Upholstery – AMG Exclusive nappa leather	-	-	-	●
Upholstery – ARTICO leather <sup>1</sup>	-	●	-	-
Upholstery – ARTICO leather <sup>1</sup> with perforations in seat centre panel	●	-	-	-
Upholstery – designo Exclusive nappa leather	-	-	●	-

Item	Sport	AMG Line	designo Line	Mercedes-AMG
<b>Security and Assistance Systems</b>				
Active bonnet – pedestrian safety measure	●	●	●	-
ADAPTIVE BRAKE with HOLD function, Hill-Start Assist, priming and dry braking in the wet	●	●	●	●
Adaptive brake lights	●	●	●	●
Airbags – driver and front passenger	●	●	●	●
Airbags – front sidebags	●	●	●	●
Airbags – windowbags	●	●	●	●
Alarm system with immobiliser and interior protection (MBSS3)	●	●	●	●
AMG high-performance braking system	-	-	-	●
Anti-lock braking system (ABS) with Brake Assist (BAS)	●	●	●	●
ATTENTION ASSIST Continuously analyses driver behaviour and steering movements. If patterns are recognised which characterise drowsiness, the driver is prompted to take a break, and an audible warning is sounded. At the same time COMAND Online offers to locate a rest stop	●	●	●	●
Automatic child seat recognition sensor Works in conjunction with Mercedes-Benz child seats fitted with transponder	●	●	●	●



Standard equipment

Item	Sport	AMG Line	designo Line	Mercedes-AMG
<b>Security and Assistance Systems (continued)</b>				
COLLISION PREVENTION ASSIST PLUS The driver is given a visual warning if the distance from a vehicle in front is inadequate. On detecting the danger of a collision there is an acoustic warning, driver braking can be assisted and, if the driver fails to react, the speed can be reduced autonomously. Autonomous partial braking only occurs if the driver fails to react and is travelling at a speed range between 4–65mph speeds for moving objects and 4–31 mph for stationary objects	●	●	●	●
Crosswind Assist Detects sudden, strong gusts of wind and helps the driver stay in lane by means of targeted braking	●	●	●	●
Downhill Speed Regulation (DSR) with on/off switch and variable speed control	●	●	●	●
Electric parking brake	●	●	●	●
Electronic Stability Programme (ESP®) with Acceleration Skid Control (ASR)	●	●	●	●
First-aid kit and warning triangle	●	●	●	●
Four-wheel Electronic Traction System (4ETS)	●	●	●	●

Item	Sport	AMG Line	designo Line	Mercedes-AMG
Headlamp Assist – automatic headlamp activation	●	●	●	●
ISOFIX child seat attachment points in the rear (two outer seats)	●	●	●	●
Outside temperature display, rear seat belt status indicator	●	●	●	●
PRE-SAFE® anticipatory safety system with reversible belt tensioners for driver and front passenger seats, closing function for side windows	●	●	●	●
Remote central locking	●	●	●	●
Seat belt pre-tensioners and force limiters – front and outer rear seats	●	●	●	●
Service indicator ASSYST	●	●	●	●
TIREFIT tyre-sealant kit	●	●	●	●
Traffic Sign Assist Speed Limit Assist with wrong-way warning function and display of speed limit in instrument cluster	●	●	●	●
Tyre pressure monitoring system	●	●	●	●



## Item

## Communications and In-Car Entertainment

Bluetooth® interface for hands-free telephony and audio streaming for music transmission	●	●	●	●
Central controller dial to operate audio functions and telephone (when connected)	●	●	●	●
COMAND Online system with Media Interface and touchpad Includes radio, single CD/DVD, 8 speakers, 8-inch colour display, hard disk drive (HDD) navigation with 3D map display, Live Traffic Information and European map data updates free of charge for the first three years and LINGUATRONIC voice control. Internet-enabled mobile phone required for emergency call system (eCall), Mercedes-Benz apps and in-car internet access for Facebook, internet radio, sending routes from Google Maps™ to the vehicle, news and weather reports. Also includes SD memory card slot, 10 GB music register and MP3 compatibility. Media Interface allows connection and control of portable media devices (e.g. MP3 player, USB storage media). Cable included for iPod® connectivity	●	●	●	●





## Item

DAB digital radio tuner	●	●	●	●
Mercedes connect me standard services – for example accident recovery, breakdown management and maintenance management, or telediagnosics for worn parts	●	●	●	●
Mercedes connect me (additional services) Including programming of pre-entry climate control, route planning, retrieval of vehicle level of charge, programming of charging settings. Please contact your Retailer for availability of these services GLE 500 e	–	●	●	–
Surround sound system – Harman Kardon® Logic 7® with Dolby Digital 5.1 and DTS 14 high-performance speakers and total output of 830 watts	–	–	●	●
USB port in centre armrest	●	●	●	●








# A revolution in style

Item	Notes		65R	Sport	AMG Line	designo Line	Mercedes-AMG	Basic RRP excl. VAT (£)	Total RRP incl. VAT (£)
<b>Wheels</b>									
19" alloy wheels (4) – 5-twin-spoke design in himalaya grey 255/50 tyres			65R	●	-	-	-	-	-
20" AMG alloy wheels (4) – 5-twin-spoke design in titanium grey 265/45 tyres			681	-	●	●	-	-	-
20" AMG alloy wheels (4) – 5-twin-spoke design, painted matt black 265/45 tyres			775	-	△	△	-	Included in Night package	
21" AMG alloy wheels (4) – 5-twin-spoke design 265/40 tyres	GLE 250 d		755	-	△	-	-	Included in Dynamic package	
	GLE 350 d and GLE 500 e		-	○	○	-	737.50	885.00	



Item	Notes		Sport	AMG Line	designo Line	Mercedes-AMG	Basic RRP excl. VAT (£)	Total RRP incl. VAT (£)
<b>Wheels (continued)</b>								
21" AMG alloy wheels (4) – 5-twin-spoke design, bicolour 265/40 tyres	GLE 250 d: available when ordering both the Dynamic package (code DP8) and Night package (code P55) together		683	-	△	-	<b>Included in Dynamic package with Night package</b>	
	GLE 350 d and GLE 500 e: only in conjunction with Night package (code P55)		-	○	○	-	737.50	<b>885.00</b>
21" AMG alloy wheels (4) – multi-spoke design, bicolour titanium grey 295/35 tyres			689	-	-	●	-	-
21" AMG alloy wheels (4) – multi-spoke design, painted matt black 295/35 tyres			692	-	-	△	<b>Included in Night package</b>	



> Book a test drive



> Find a Retailer



> View the Range Guide

34

## Premium and Premium Plus packages for Sport and AMG Line



Active Parking Assist with PARKTRONIC and 360° camera



Memory package



Panoramic electric sunroof



Running boards with rubber studs



Harman Kardon® Logic 7® surround sound system



KEYLESS-GO Comfort package



> Book a test drive



> Find a Retailer



> View the Range Guide

Once you've made your choice between the Sport or the AMG Line, the GLE has yet more to offer. The Premium and Premium Plus packages come with a range of features to enhance comfort and convenience.

**Premium and Premium Plus packages** – designed and priced as a package, including items as listed below.

<b>Sport and AMG Line (Premium package)</b>	<b>Total incl. VAT £2,395.00</b>
<b>Sport and AMG Line (Premium Plus package)</b>	<b>£3,695.00</b>

Item	Notes	Premium £2,395.00 <sup>1</sup> (code DPO)	Premium Plus £3,695.00 <sup>1</sup> (code DP1)
Active Parking Assist with PARKTRONIC and 360° camera	Active Parking Assist with PARKTRONIC makes finding a parking space easier, as well as entering or leaving parallel or on-end parking spaces. The 360° camera enables parking and manoeuvring with a realistic all-round view thanks to the interaction of four networked cameras	■	■
Memory package	Driver's seat, passenger seat, steering column and exterior mirrors – electrically adjustable with memory	■	■
Panoramic electric sunroof	Consisting of a fixed panoramic glass rear section and an electrically operated sliding glass front section, allowing additional light and ventilation into the vehicle	■	■
Running boards with rubber studs	Aluminium-look running boards mounted on the side at the height of the side skirts. Slip-resistant rubber studs ensure a firm foothold. Easier to get into both front and rear	■	■
Surround sound system – Harman Kardon® Logic 7® with Dolby Digital 5.1 and DTS	Powerful multi-channel DSP amplifier with up to 830 watts as well as 14 high-performance speakers for precision dynamics and excellent sound balance	–	■
KEYLESS-GO Comfort package	The vehicle can be conveniently unlocked, started and locked – simply by carrying the electronic key	–	■





> Book a test drive



> Find a Retailer



> View the Range Guide

36

## Premium package for Mercedes-AMG GLE 63 S 4MATIC



Active Parking Assist with PARKTRONIC and 360° camera



Front seats – climatized



Front seats – multi-contour with massage function



Interior air ionisation with air filter



KEYLESS-GO Comfort package



Running boards with rubber studs



> Book a test drive



> Find a Retailer



> View the Range Guide

If you want to increase the comfort of your Mercedes-AMG GLE, why not opt for the Premium package? It features interior air ionisation with air filter, climatised seats and multi-contour seats with massage function for the front, KEYLESS-GO Comfort package and many more attractive items.

**Premium package** – designed and priced as a package, including items as listed below.

**Mercedes-AMG GLE 63 S 4MATIC**

**Total incl. VAT £2,995.00**

Item	Notes	Premium £2,995.00 <sup>1</sup> (code DPO)
Active Parking Assist with PARKTRONIC and 360° camera	Active Parking Assist with PARKTRONIC makes finding a parking space as well as parking in and leaving parallel or on-end parking spaces easier. The 360° camera enables parking and manoeuvring with a realistic all-round view thanks to the interaction of four networked cameras	■
Closing aid for doors and boot lid	When initially engaged, doors and boot lid are automatically closed by servomotors, ensuring smooth and virtually silent closing	■
Front seats – climatised	The active ventilation function of the climate-controlled seats rapidly cools the seat surfaces to a pleasant temperature to ensure well-balanced seating comfort. In cold weather conditions, the on-demand seat heating provides cosy warmth as required	■
Front seats – multi-contour with massage function	Driver and front passenger can use various air chambers to individually adjust their seats to suit their personal physique – from seat cushion depth via the side bolsters to the position and curvature of the backrest. The massage function with seven zones and two selectable intensity settings helps to avoid muscle tension	■
Interior air ionisation with air filter	This system helps to significantly improve the quality of the air in the vehicle interior. Ionisation has a refreshing effect and can contribute to an enhanced sense of wellbeing. The filter system has two fine-particle activated charcoal filters for a particularly comprehensive reduction of harmful substances and odours	■
KEYLESS-GO Comfort package	The vehicle can be conveniently unlocked, started and locked with this system – simply by carrying the electronic key	■
Running boards with rubber studs	Aluminium-look running boards mounted on the side at the height of the side skirts. Slip-resistant rubber studs ensure a firm foothold. Easier to get into the front and rear	■



## Pricing summary for Premium and Premium Plus packages

Model	Transmission	Recommended OTR price (£) <sup>1</sup>		
		Sport	Sport Premium	Sport Premium Plus
<b>GLE 250 d 4MATIC</b>	9G-TRONIC 9-speed automatic	49,280.00	51,675.00	52,975.00
		AMG Line	AMG Line Premium	AMG Line Premium Plus
<b>GLE 250 d 4MATIC</b>	9G-TRONIC 9-speed automatic	51,680.00	54,075.00	55,375.00
<b>GLE 350 d 4MATIC</b>	9G-TRONIC 9-speed automatic	56,280.00	58,675.00	59,975.00
<b>GLE 500 e 4MATIC</b>	7G-TRONIC PLUS 7-speed automatic	64,995.00	67,390.00	68,690.00
		Mercedes-AMG	Mercedes-AMG Premium	Mercedes-AMG Premium Plus
<b>Mercedes-AMG GLE 63 S 4MATIC</b>	AMG SPEEDSHIFT PLUS 7G-TRONIC PLUS	94,405.00	97,400.00	-

<sup>1</sup>Recommended on-the-road price: these prices reflect the Road Fund Licence applicable to the standard model plus £670.00 additional costs necessary to put your car on the road. Included are a standard UK delivery charge (£540.00 incl. VAT), new vehicle registration fee (£55.00), number plates (£25.00 incl. VAT) and fuel (£50.00 incl. VAT). VAT is calculated at the standard rate of 20%



# Driving Assistance package

This comprehensive package includes many advanced features to help keep you safe on the road: Active Blind Spot Assist monitors the obscure area to the side and rear. The innovative driver assistance system DISTRONIC PLUS cruise control helps to automatically maintain a safe distance from the vehicle ahead. Active Lane Keeping Assist is able to recognise when the vehicle is unintentionally drifting out of its lane, and duly warns the driver with pulsed vibrations on the steering wheel. Plus the renowned PRE-SAFE® safety system can detect critical road situations and initiate preventive safety measures.



Active Lane Keeping Assist

**Driving Assistance package** (code 23P) – designed and priced as a package, including items as listed below.

**All models**

**Total incl. VAT £1,695.00**

Item	Notes
Active Blind Spot Assist	Displays a red triangle in the exterior mirrors: when a road user is detected in the blind spot, the red triangle flashes and an audible warning sounds if the driver operates the indicators. Includes course-correcting braking intervention
Active Lane Keeping Assist	Detects signs of inadvertent drifting out of lane and warns the driver by vibrating the steering wheel and, if necessary, will trigger one-sided braking intervention
BAS PLUS with Cross-Traffic Assist	Brake Assist System can lower the risk of rear-end collisions and support the driver during emergency braking by providing additional brake pressure
DISTRONIC PLUS with Steering Assist and Stop&Go Pilot	Helps the driver to maintain a safe distance to the vehicle in front and so relieves strain on the driver, especially on long journeys or in a traffic jam
PRE-SAFE® Brake	Warns the driver if it detects that a rear-end collision is imminent and, if there is no reaction, can take autonomous action to reduce the speed – even to the extent of full brake application



## Night package



The Night package contains striking exterior features increasing the visual appeal of the GLE. The package features 20" or 21" AMG alloy wheels, as well as exterior trim elements in high-gloss black and chrome.

**Night package** – designed and priced as a package, including items as listed below.

<b>GLE 250 d 4MATIC AMG Line, GLE 350 d 4MATIC and GLE 500 e 4MATIC</b>	<b>Total incl. VAT £495.00</b>
<b>Mercedes-AMG GLE 63 S 4MATIC</b>	<b>£895.00</b>



Item	Night package <sup>1</sup> £495.00 <sup>3</sup> (code P55)	Night package <sup>2</sup> £895.00 <sup>3</sup> (code P55)
Includes a high-gloss black louvre in the radiator grille, high-gloss black exterior mirrors, beltline trim strips, roof rails and weatherstrip	■	■
20" AMG alloy wheels (4) - 5-twin-spoke design, painted high-gloss black in a high-sheen finish (code 775)	■	-
Tailpipe trim elements in chrome	■	-
21" AMG alloy wheels (4) - cross-spoke design, painted matt black, 295/35 tyres (code 692)	-	■
A-wing insert for front and rear apron in black	-	■
Twin tailpipe trim elements in black	-	■





> Book a test drive



> Find a Retailer



> View the Range Guide

## Entertainment package



Films on DVD, music or television: the Entertainment package provides passengers in the rear with their very own programme of entertainment. Two 8-inch displays and two sets of headphones ensure brilliant picture and sound quality, and a TV tuner allows for digital TV reception.

**Entertainment package** – designed and priced as a package, including items as listed below.

**All models**

**Total incl. VAT £2,495.00**

---

**Entertainment package** (code DP7)

---

Rear seat entertainment, including two 8-inch displays integrated into the front seat head restraints, a DVD player, two sets of headphones and one remote control

---

TV tuner for digital TV reception

---



# Dynamic package



The Dynamic package takes ride comfort and safety to another level while adding a stylish touch with 21" AMG 5-twin-spoke alloy wheels. The package includes AIRMATIC air suspension with Adaptive Damping System, which adjusts damping to suit the road surface, driving style and vehicle load. It also allows the driver to switch manually between sporty and comfort-biased settings and, thanks to independent self-levelling, ensures the car's ride height is unaffected by heavy loads. AIRMATIC air suspension can also give you extra ground clearance at the touch of a button, allowing you to increase the ride height to 255 mm when tackling rough terrain. The package is available for the AMG Line only.

**Dynamic package** – designed and priced as a package, including items as listed below.

**GLE250 d AMG Line only**

**Total incl. VAT £1,995.00**

**Dynamic package** (code DP8)

21" AMG 5-twin-spoke alloy wheels (code 755)

AIRMATIC air suspension



## Off-Road package

The Off-Road package combines a host of features that come in handy when taking your GLE off the beaten track. For off-road operation there are the options 'Off-road' for sand and light terrain and also 'Off-road+' for difficult terrain. The low-range gearbox aids slow and careful driving in off-road terrain where a high level of tractive power is required, and supports controlled downhill driving, particularly on low-traction surfaces.

The driver can adjust the gear ratio even more precisely to the requirements of driving in extreme off-road terrain by using the manual mode of the 7G-TRONIC PLUS automatic transmission. A 100% differential lock on the centre differential improves traction in difficult terrain even further.

An underguard for the engine, together with reinforced underfloor panelling the full length of the vehicle, helps to reduce damage caused, for example, by driving over obstacles. The three additional selectable off-road ride heights allow the ground clearance to be increased by 30, 60 or 90 mm, corresponding to a maximum wading depth of 600 mm.

**Off-Road package** – designed and priced as a package, including items as listed below.

<b>GLE 250 d Sport and AMG Line</b>	<b>Total incl. VAT £2,995.00</b>
<b>GLE 350 d AMG Line</b>	<b>£1,985.00</b>

**Off-Road package** (GLE 250 d code DP9; GLE 350 d code 430)

---

100% differential lock on centre differential

---

AIRMATIC air suspension<sup>1</sup>

---

DYNAMIC SELECT with 'Off-road+' driving mode

---

Front and rear axles with adapted 4ETS

---

Guard under engine with reinforced underbody panelling

---

Low-range gearbox

---

Manual mode for automatic transmission

---

Special off-road algorithm for ABS, 4ETS and ESP®

---

Three additional selectable off-road ride heights

---

<sup>1</sup>Standard on GLE 350 d



# Optional equipment

Item	Notes		Sport	AMG Line	designo Line	Mercedes-AMG	Basic RRP excl. VAT (£)	Total RRP incl. VAT (£)
<b>AMG Performance Studio</b>								
AMG Performance package AMG Driver's package - includes an increase to your vehicle's electronically limited top speed (175 mph) and participation in one of the AMG BASIC-Training 'Power and Passion' events. The event is run by the AMG Driving Academy and held at a racetrack located in mainland Europe. AMG Performance exhaust system - from emotional to restrained, the sound of the AMG sports exhaust system adapts to the transmission mode selected by the driver by means of variably adjustable exhaust flaps	For further information on this or any other AMG Driving Academy training, please speak to your Retailer, or visit <a href="http://www.mercedes-amg.com/driving-academy">www.mercedes-amg.com/driving-academy</a>	250	-	-	-	○	955.83	1,195.00
AMG carbon fibre engine cover		B14	-	-	-	○	1,245.83	1,495.00
<b>Suspension and Exterior</b>								
ACTIVE CURVE SYSTEM With active suspension stabilisers. Enhances ride comfort, agility and safety at high speeds, when cornering and when driving off-road	GLE 350 d only	468	-	○	○	●	2,700.00	3,240.00
Tow bar - fully electric Includes 13-pin socket	When ordering, please discuss with your Retailer any specific electrical towing requirements	550	○	○	○	○	791.67	950.00
<b>Paint, Trim and Upholstery</b>								
Paint - designo diamond white bright		799	○	○	○	○	704.17	845.00
Paint - designo hyacinth red bright		996	○	○	○	○	704.17	845.00

[Book a test drive](#)[Find a Retailer](#)[View the Range Guide](#)

Optional equipment

45

Item	Notes		Sport	AMG Line	designo Line	Mercedes-AMG	Basic RRP excl. VAT (£)	Total RRP incl. VAT (£)
<b>Paint, Trim and Upholstery (continued)</b>								
Roof lining – black fabric		'	○	○	-	○	83.33	100.00
Trim – AMG carbon fibre/black piano lacquer		H10	-	-	○	-	916.67	1,100.00
			-	○	-	○	1,245.83	1,495.00
Trim – brown open-pore ash wood		H09	-	-	○	-	no-cost option	
Trim – designo black piano lacquer		H21	-	-	○	-	no-cost option	
Trim – high-gloss black poplar wood		729	-	○	●	-	329.17	395.00
Trim – high-gloss dark brown eucalyptus wood		734	-	-	○	-	no-cost option	
Upholstery – two-tone nappa leather		'	-	○	-	-	1,516.67	1,820.00
Available in: pearl black/black 811 porcelain/black 855								
<b>Communications and In-Car Entertainment</b>								
Bang & Olufsen BeoSound AMG surround sound system 14 high-performance speakers with twin illuminated tweeter lenses	For AMG Line, only available with Premium Plus package (code DP1)	811	-	○	○	○	2,912.50	3,495.00

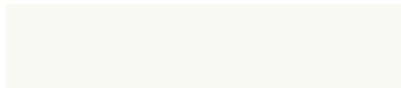




# Colours and materials

## Non-metallic paint

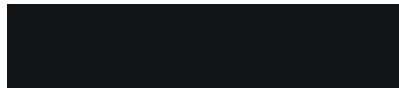
Standard



149 polar white

## Metallic paints

Standard



197 obsidian black



796 citrine brown



755 tenorite grey



890 cavansite blue



775 iridium silver



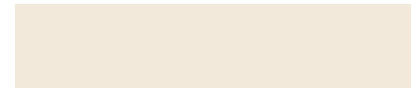
988 diamond silver



792 palladium silver

## Special metallic paints

Additional-cost option



799 designo diamond white bright



996 designo hyacinth red bright



**ARTICO leather<sup>1</sup>**

Standard on Sport



111 black



114 espresso brown



115 ginger beige/  
espresso brown

**ARTICO leather<sup>1</sup>**

Standard on AMG Line



121 black

**Two-tone nappa leather**

Optional on AMG Line



811 pearl black/black



855 porcelain/black

**designo Exclusive nappa leather**

Standard on designo Line



954 espresso brown



955 porcelain/black

**AMG Exclusive nappa leather**

Std on Mercedes-AMG GLE 63 S



541 black with grey stitching



535 porcelain/black



534 espresso brown/black

**Trim**



729 high-gloss black poplar wood<sup>2</sup>



739 brushed light aluminium<sup>3</sup>



734 high-gloss dark brown  
eucalyptus wood<sup>4</sup>



H09 brown open-pore ash wood<sup>4</sup>



H10 AMG carbon fibre/black  
piano lacquer<sup>5</sup>



H21 designo black piano lacquer<sup>4</sup>



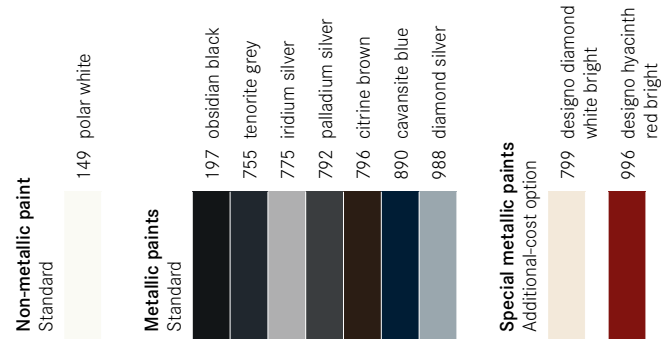
# Trim and upholstery combinations

	Sport			AMG Line			designo Line		Mercedes-AMG GLE 63 S 4MATIC		
	ARTICO leather <sup>1</sup>			ARTICO leather <sup>1</sup>	Two-tone nappa leather <sup>2</sup>		designo Exclusive nappa leather		AMG Exclusive nappa leather		
	black (111)	espresso brown (114)	ginger beige/ espresso brown (115)	black (121)	pearl black/ black (811)	porcelain/black (855)	espresso brown (954)	porcelain/black (955)	espresso brown/ black (534)	porcelain/ black (535)	black with grey stitching (541)
<b>Dashboard</b>											
Steering wheel	black	espresso brown	espresso brown	black	black	black	espresso brown	black	black	black	black
Upper dashboard trim	black	espresso brown	espresso brown	black	black	black	espresso brown	black	black	black	black
Lower dashboard trim	black	espresso brown	ginger beige	black	black	black	espresso brown	black	black	black	black
<b>Seats</b>											
Seat cushion centre section	black	espresso brown	ginger beige	black	black	porcelain	espresso brown	porcelain	espresso brown	porcelain	black
Side bolster trim	black	espresso brown	ginger beige	black	black	black	espresso brown	porcelain	espresso brown	porcelain	black
Head restraint	black	espresso brown	ginger beige	black	black	black	espresso brown	porcelain	espresso brown	porcelain	black
Seat belt	black	espresso brown	espresso brown	black	black	black	espresso brown	black	black	black	crystal grey
Top-stitching	grey	porcelain	porcelain	black	grey	porcelain	porcelain	porcelain	grey	porcelain	grey
<b>Doors</b>											
Door trim at beltline	black	espresso brown	ginger beige	black	black	black	espresso brown	black	black	black	black
Door centre panel	black	espresso brown	espresso brown	black	black	porcelain	espresso brown	porcelain	espresso brown	porcelain	black
<b>Roof lining</b>	crystal grey <sup>3</sup>	porcelain <sup>3</sup>	porcelain <sup>3</sup>	crystal grey <sup>3</sup>	crystal grey <sup>3</sup>	porcelain <sup>3</sup>	porcelain	black	black	porcelain <sup>3</sup>	crystal grey <sup>3</sup>
<b>Floor covering</b>											
Front and rear	black	espresso brown	black	black	black	black	espresso brown	black	black	black	black
Boot	black	espresso brown	black	black	black	black	espresso brown	black	black	black	black

<sup>1</sup>Man-made leather <sup>2</sup>Optional <sup>3</sup>Also available in black fabric (additional-cost option)



# Combination options



## ARTICO leather<sup>1</sup> – Sport and AMG Line (standard)

	149 polar white	197 obsidian black	755 tenorite grey	775 iridium silver	792 palladium silver	796 citrine brown	890 cavansite blue	988 diamond silver	799 designo diamond white bright	996 designo hyacinth red bright
black	●	●	●	●	●	●	●	●	●	●
espresso brown	●	●	●	●	●	△	△	●	●	△
ginger beige/espresso brown	○	○	△	○	●	○	△	○	●	△

## Two-tone nappa leather – AMG Line (optional)

pearl black/black	●	●	●	●	●	●	●	●	●	●
porcelain/black	●	●	●	●	●	●	●	●	●	●

## designo Exclusive nappa leather – designo Line (standard)

espresso brown	●	●	●	●	●	△	●	●	●	△
porcelain/black	●	●	●	●	●	●	●	●	●	●

## AMG Exclusive nappa leather – Mercedes-AMG GLE 63 S 4MATIC (standard)

black with grey stitching	●	●	●	●	●	●	●	●	●	●
espresso brown/black	●	●	●	●	●	△	●	●	●	△
porcelain/black	●	●	●	●	●	●	●	●	●	●

● Recommended ○ Possible △ Not recommended – Not available

Please note that, owing to limitations of the printing process, paint colours may differ from those shown

[Book a test drive](#)[Find a Retailer](#)[View the Range Guide](#)

50

# Technical data

Model	Diesel engines		Petrol hybrid	Petrol engine	
	GLE 250 d 4MATIC	GLE 350 d 4MATIC	GLE 500 e 4MATIC	Mercedes-AMG GLE 63 S 4MATIC	
<b>Engine</b>					
Total displacement	cc	2,143	2,987	2,996	5,461
Arrangement/cylinders/valves		in-line/4/16	V/6/24	V/6/24	V/8/32
Power <sup>1</sup>	hp (kW) at rpm				
Combustion engine		204 (150)/3,800	258 (190)/3,400	333 (245)/5,250-6,000	585 (430)/5,500
Electric motor		-	-	116 (85)/3,500	-
System output		204 (150)/3,800	258 (190)/3,400	442 (325)/5,250-5,500	585 (430)/5,500
Torque <sup>1</sup>	Nm at rpm				
Combustion engine		500/1,600-1,800	620/1,600	480/1,600-4,000	760/1,750-5,250
Electric motor		-	-	340/0-2,000	-
System output		500/1,600-1,800	620/1,600	650/tba	760/1,750-5,250
<b>Transmission</b>					
9G-TRONIC 9-speed automatic		●	●	-	-
7G-TRONIC PLUS 7-speed automatic		-	-	●	-
AMG SPEEDSHIFT PLUS 7G-TRONIC 7-speed auto.		-	-	-	●
<b>Tyre sizes</b>					
Front		255/50	265/45	265/45	295/35
Rear		255/50	265/45	265/45	295/35

● Standard ○ Optional - Not available





Model	Diesel engines		Petrol hybrid	Petrol engine
		GLE 250 d 4MATIC	GLE 350 d 4MATIC	GLE 500 e 4MATIC

**Performance**

Acceleration 0-62 mph	sec	8.6	7.1	5.3	4.2
Top speed	mph	132	140	152	155 <sup>2</sup>

**Weights and capacities**

Kerb weight <sup>3</sup>	kg	2,150	2,175	2,465	2,345
Perm. Gross Vehicle Weight	kg	2,950	2,950	3,050	3,050
Towing capacity - unbraked		750	750	750	750
braked	kg	2,900	3,500	2,000	3,050
Boot capacity	l	690	690	480	690
Fuel tank capacity/of which reserve	l	93/12	93/12	80/10	93/14
Turning circle kerb to kerb	m	11.8	11.8	11.8	11.8
Wading depth - standard		500	500	500	580
with Off-Road package	mm	500-600	500-600	-	-



Model	Diesel engines		Petrol hybrid	Petrol engine
	GLE 250 d 4MATIC	GLE 350 d 4MATIC	GLE 500 e 4MATIC	Mercedes-AMG GLE 63 S 4MATIC
<b>Fuel consumption<sup>4,5</sup></b> mpg				
Urban	42.8	38.7	-	18.0
Extra-urban <sup>6</sup>	51.4	45.6	-	29.4
Combined	47.9	42.8	76.4	23.9
<b>CO<sub>2</sub> emissions<sup>5</sup></b> g/km				
Emissions standard	EU6	EU6	EU6	EU6
19" alloy wheels	155	-	-	-
20" alloy wheels	156	179	84	-
21" alloy wheels	155	174	78	276
<b>Insurance</b>				
Group rating	41-42	45-46	49	50

Insurance ratings may vary depending on model specification. Please refer to <http://www.thatcham.org/abigrouprating/> for further details

<sup>1</sup>Figures according to Directive 80/1269/EEC in the currently applicable version

<sup>2</sup>Electronically limited

<sup>3</sup>Figures according to Directive 92/21/EC (kerb weight with fuel tank 90% full, driver, 68 kg, and luggage, 7 kg) for standard-specification vehicles

<sup>4</sup>All figures are based on a standard specification with the smallest tyre size

<sup>5</sup>The choice of wheels and transmission may affect CO<sub>2</sub> emissions and corresponding Road Fund Licence

<sup>6</sup>EUDC: extra-urban driving cycle. Testing procedures adhere to EU Directive 93/116

The figures on pages 50-53 are correct at time of going to print. Please refer to the government website for latest data - <http://carfueldata.direct.gov.uk/>

All measurements in millimetres. The dimensions shown are mean values and apply to standard-specification, unladen vehicles



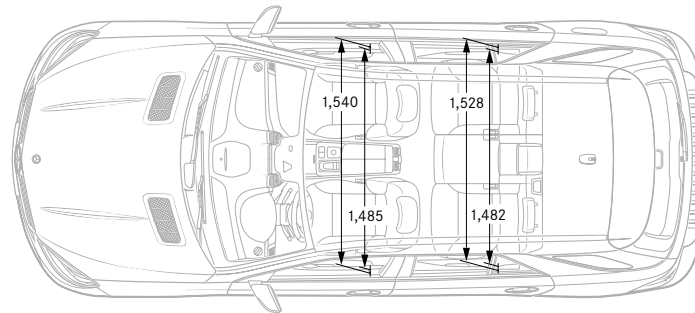
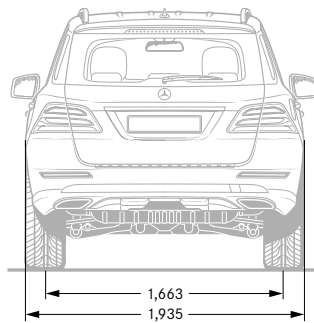
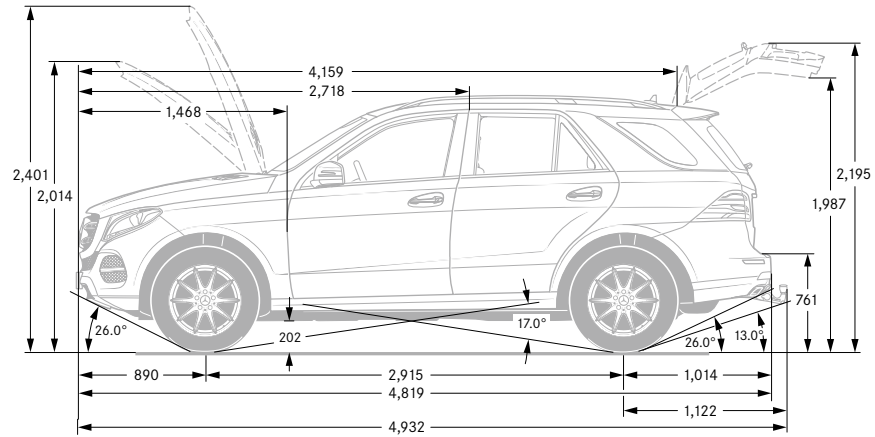
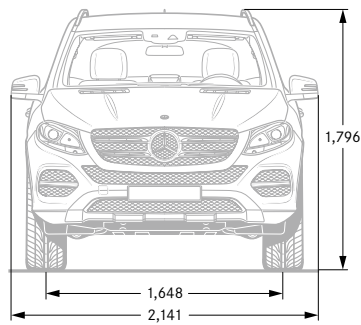
> Book a test drive



> Find a Retailer



> View the Range Guide





## Road Fund Licence



All road vehicle registrations are subject to Vehicle Excise Duty (Road Fund Licence), which varies in accordance with the vehicle's CO<sub>2</sub> emissions. A first year rate of Vehicle Excise Duty applies to new cars on their first year of registration. For the second and subsequent years a standard rate for each taxation band will apply.<sup>1</sup> The table below shows the bands (A–M) created by the DVLA and the corresponding Road Fund Licence. CO<sub>2</sub> emissions are listed in the technical data on page 52 and the relevant Excise Duty is reflected in the on-the-road prices on page 9.

Band	CO <sub>2</sub> emissions	First year rate (£)	Standard rate (£)
A	up to 100 g/km	0.00	0.00
B	101 to 110 g/km	0.00	20.00
C	111 to 120 g/km	0.00	30.00
D	121 to 130 g/km	0.00	110.00
E	131 to 140 g/km	130.00	130.00
F	141 to 150 g/km	145.00	145.00
G	151 to 165 g/km	180.00	180.00
H	166 to 175 g/km	295.00	205.00
I	176 to 185 g/km	350.00	225.00
J	186 to 200 g/km	490.00	265.00
K	201 to 225 g/km	640.00	290.00
L	226 to 255 g/km	870.00	490.00
M	over 255 g/km	1,100.00	505.00

Some of the model features, optional extras and colours shown may not be available or may only be available in a different specification.

<sup>1</sup>For further information on vehicle taxation please refer to <http://carfueldata.direct.gov.uk/>



> Book a test drive



> Find a Retailer



> View the Range Guide

# Services and insurance

## Mercedes-Benz Service Care

We believe that servicing costs should be as flexible and affordable as possible for your new GLE, which is why we offer Service Care, an easy way to budget for all your servicing costs. It spreads your bills into manageable payments based on whether you have a new or used Mercedes-Benz.

With Service Care we guarantee the price of parts and labour for up to four services and safeguard against further inflation. It also covers the cost of all recommended service items including brake fluid, spark plugs, air filters, fuel filters and screen wash.

You can choose either to add your servicing costs into your monthly spend or pay the full amount in a one-off payment, giving you peace of mind that they are taken care of for the period of the plan.

To receive a personalised Service Care plan recommendation visit the Service Care Calculator at [www.mercedes-benz.co.uk/servicecare](http://www.mercedes-benz.co.uk/servicecare)

## Warranty and breakdown cover

Every Mercedes-Benz comes with a three-year unlimited mileage warranty against manufacturing or material defects<sup>1</sup> and up to 30 years warranty against perforation due to corrosion from the inside out.<sup>2</sup> What's more, it's also covered by Mercedes-Benz Roadside Assistance – a unique package comprising up to 30 years pan-European breakdown assistance.<sup>2</sup>

The following key components of the GLE 500e are covered for six years or 62,000 miles (whichever comes sooner):

- High-voltage battery
- Electric motor
- Power electronics

## Insurance

Since our name is synonymous with reliability, who better to trust with your motor insurance? Mercedes-Benz Insurance provides a motor insurance policy specifically designed to give you the cover you would expect from Mercedes-Benz. For a motor insurance quotation, call **0345 600 2180**.\*





> Book a test drive



> Find a Retailer



> View the Range Guide

56



## The Mercedes that thinks and acts for you.

Imagine if...

**...you could connect with your Mercedes-Benz?**

With Mercedes connect me, you can; with Remote Online services<sup>1</sup> that include trip planning, maintenance management and vehicle tracking, plus more.

Getting connected is easy. Just set up your Mercedes me account and get in touch with your Mercedes-Benz Retailer to connect your vehicle to your profile to access your Mercedes connect me services.

**...you knew beforehand that you need to stop for fuel?**

Simply check the fuel level and mileage range from your phone wherever you are. You can also check tyre pressure and washer fluid level. (For electric cars, you can check battery charge state.)

**...your Mercedes could tell you where it's parked?**

You no longer need to ask yourself where you left your car; with Mercedes connect me you can locate your car from your smartphone or tablet within a mile radius.



- 1. PARKED VEHICLE LOCATOR
- 2. VEHICLE TRACKER

- 3. REMOTE RETRIEVAL OF VEHICLE STATUS
- 4. PRE-ENTRY CLIMATE CONTROL FOR ELECTRIC DRIVE AND PLUG-IN HYBRID



> Book a test drive



> Find a Retailer



> View the Range Guide

### **...you could lock your Mercedes, even if you're miles away?**

The uncertainty of whether you've forgotten to lock the car is only human. To make sure your Mercedes-Benz is safe and secure, you can simply lock the car remotely via your PC/Mac, tablet or smartphone.

### **...your Mercedes told you when your service is due?**

Being connected means essential data is constantly sent to your Mercedes-Benz Retailer so they know when it is time for a service. Your Retailer can then contact you with a tailor-made service quote.

### **...your Retailer already knows which parts need replacing?**

As surprising as this sounds, with telediagnosics your Retailer can recognise remotely if certain parts are due for replacement, contacting you to book an appointment and making sure the relevant parts are in stock when you arrive, getting you back on the road as quickly as possible.

### **...you could just push a button to deal with a breakdown?**

Should your car break down, with a simple press of the button everything is taken care of – from breakdown assistance to vehicle recovery.

### **...your Mercedes called for help?**

Your Mercedes comes with an SOS button. Press it if you need urgent help and you will be contacted by the emergency response centre.<sup>2</sup> In the event of an accident where airbags or seatbelt tensioners have been activated, a call is placed automatically. Your GPS position is sent to the response teams to initiate rescue efforts.<sup>3</sup>

### **The Mercedes that thinks and acts for you.**

Contact your Retailer to get connected, or go to [www.mercedes.me](http://www.mercedes.me) for more details.

<sup>1</sup>This is available as an option in conjunction with Audio 20 CD, and standard with COMAND Online. Remote Online is standard with electric drive and plug-in hybrid. Use of the Remote Online equipment option is limited to three years from first registration of the vehicle and can then be extended at extra cost.

<sup>2</sup>A call is placed via the car's sim card, rather than the customer relying on their mobile phone.

<sup>3</sup>This feature is still available to customers without Mercedes connect me services. The customer is not required to accept the terms and conditions on the portal to activate this feature. For all other features the customer will have to accept terms and conditions on the portal to activate them.



# Mercedes-Benz Finance

## Why should you finance with Mercedes-Benz?

At Mercedes-Benz we believe a great driving experience should be matched by an equally great ownership experience. That is why we put just as much thought, time and effort into designing our finance options, our service plans and our insurance cover as we do into our vehicles.

We are not in the business of simply providing a loan to fund the purchase of your dream vehicle. We look on it as a journey that we take with you, from the moment you choose your new Mercedes-Benz, to helping you in choosing your next one.

If you would like to find out more about any of our current offers, simply call into your local Mercedes-Benz Retailer where one of our Business Managers will be more than happy to talk you through anything you need to know.

## Helping you find the right solution.

You should find our finance packages are more convenient than a traditional personal loan because:

- Funds are immediately available – no waiting for cheques or loans to clear.
- There is no security required – either against your home or other assets.
- We have clear and transparent rates – the APR we quote is the APR you get.
- We have friendly Business Managers – experts in vehicle finance who can talk you through all of your plans in detail.

One of our most popular finance products is Mercedes-Benz Agility (our Personal Contract Purchase product). We also offer Contract Hire, Operating Lease and Hire Purchase solutions. If you would like to find out more about these speak to your Retailer or visit [www.mercedes-benz.co.uk/fandi](http://www.mercedes-benz.co.uk/fandi).

## Mercedes-Benz Agility (our PCP product).

At the start of an Agility agreement, you put down a deposit and decide the term of your agreement and your annual mileage. You will be advised of the Guaranteed Future Value, which offers you the reassurance of knowing exactly what you will need to pay to own the vehicle outright in the future (this is known as the Optional Purchase Payment).

Throughout your agreement you simply pay your agreed monthly payments and when the agreement comes to an end you either purchase, hand back or part-exchange your vehicle.





### Agility features:

- Fixed regular payments mean you can easily budget.
- Payments are based only on a proportion of the vehicle's value, keeping your monthly payments lower.
- Our Guaranteed Future Value avoids the risk of unplanned depreciation of your vehicle.
- You defer your ownership decision until the end of the agreement.

### At the end of your agreement you have three options to choose from.

#### Option 1: Purchase your Mercedes-Benz.

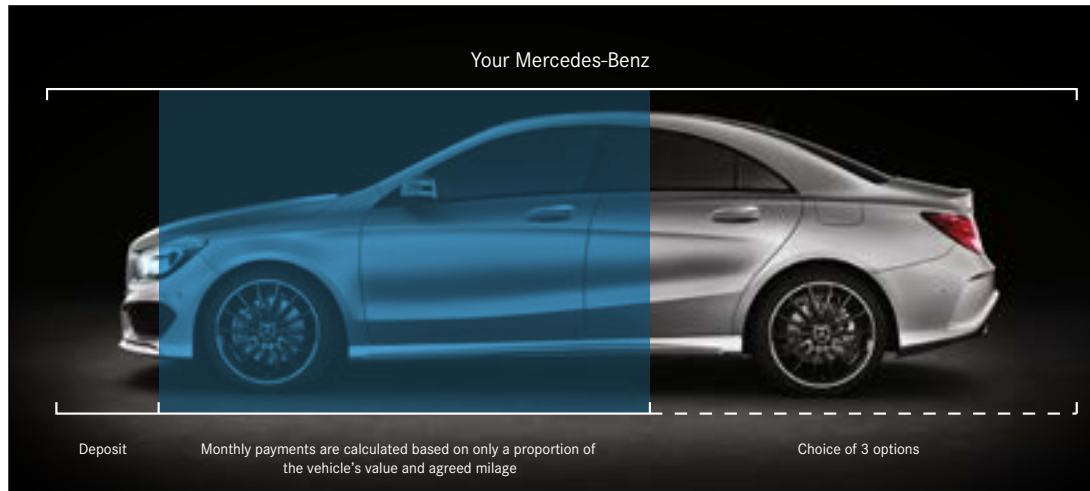
Purchase your Mercedes-Benz by paying the Optional Purchase Payment and Purchase Activation Fee.<sup>1</sup> This will complete the purchase of your Mercedes-Benz, leaving you free to simply enjoy your vehicle.

#### Option 2: Hand back your Mercedes-Benz.

If you decide to return your vehicle to us, it must be in line with our Vehicle Return Standards,\* as vehicle condition, excess mileage and other charges may be payable.

#### Option 3: Part-Exchange for a new vehicle.

Purchase your Mercedes-Benz by paying the Optional Purchase Payment and Purchase Activation Fee.<sup>1</sup> This will complete the purchase of your Mercedes-Benz, leaving you free to part-exchange for a new vehicle.



<sup>1</sup>Please note the 'Purchase Activation Fee' of £10 will be debited from your account \*To find out more information about our Vehicle Return Standards please visit <http://mercedes-benz.co.uk/vrs>



> Book a test drive





> Find a Retailer





> View the Range Guide

Follow us on the following social media channels:

 <https://www.facebook.com/MercedesBenzUk>

 <https://twitter.com/mercedesbenzUK>

 <https://www.youtube.com/mercedesbenzUK>

 <https://instagram.com/mercedesbenzUK>

Effective from 1 September 2015. Information correct at time of going to print.

Prices and specifications are subject to change without prior notice.

MBW166PL/0915

Mercedes-Benz UK Ltd, Tongwell, Milton Keynes, MK15 8BA [www.mercedes-benz.co.uk](http://www.mercedes-benz.co.uk)



**Mixed Sources**

Product group from well-managed  
forests, controlled sources and  
recycled wood or fibre  
[www.fsc.org](http://www.fsc.org) Cert no. SGS-COC-004556  
©1996 Forest Stewardship Council

