

November 2014



**Commercial
Vehicles**

Transporter shuttle



INTRODUCING THE SHUTTLE. A NEW DIMENSION IN TRAVEL.

The **Transporter shuttle** is the ideal choice for families or organisations and groups, such as airlines or hotels and taxi companies who need to transport up to nine clients or passengers (including the driver), in comfort and style. You'll find the shuttle packed with the usual quality, innovation and safety features found across the entire Transporter range – including impressive warranties and a range of powerful and economical diesel engines, ranging from 84PS to 180PS. Available as S or SE, the shuttle offers a choice of either short or long wheelbase and is available with a variety of optional seating configurations, enabling you to tailor your shuttle to your own particular needs. With stylish and subtle exterior features, you can also be sure that whichever shuttle you choose, it will look as good as it performs.

STANDARD EIGHT-SEAT LAYOUT (2:3:3).



SHORT WHEELBASE



LONG WHEELBASE

The shuttle's seating can be configured to suit your specific requirements and is able to seat up to nine (including the driver). Take a look at **page 21** to discover some of the other layouts available.



- 04 Safety systems
- 06 Engines and gearboxes
- 08 BlueMotion Technology
- 10 Cab comfort
- 12 Shuttle S
- 14 Shuttle SE
- 16 Standard equipment
- 18 Paint and upholstery
- 20 Alloy wheels, audio and communications
- 21 Optional seating configurations
- 22 Engines and gearbox data
- 23 Economy and performance
- 24 Dimensions and weights
- 26 Service and warranties

YOUR SAFETY IS OUR PRIORITY.

Your safety is a vital factor, so we ensure that a long list of safety and security features are built-in to every vehicle we produce. Almost every part of the vehicle's design contributes to safety. Occupants are securely enclosed within a rigid safety cell with crumple zones to absorb crash energy, while the chassis and suspension are designed for excellent directional stability and handling. Features such as Anti-lock Braking System (ABS), Electronic Brakeforce Distribution (EBD/EBV), Electronic Stabilisation Programme (ESP) and driver and passenger front airbags are fitted as standard, while side and curtain airbags can be specified as an option.

For extra security and protection, the shuttle incorporates ISOFIX child seat mounting points as standard, while optional features such as anti-theft devices, parking sensors, reversing cameras, Bi-xenon headlights, Lane Change Assist and cornering lights all offer added peace-of-mind.



01 When the vehicle weight is transferred to the front wheels during braking, the **Electronic Brakeforce Distribution (EBD/EBV)** prevents lockup of the rear wheels, which are under less load. This helps your vehicle brake safely in a straight line.

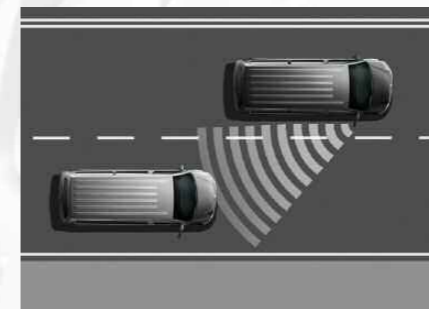
02 The **seatbelt warning** reminds the driver that their seatbelt is not fastened. An audiovisual signal is used to request that the seatbelt is fastened before you start driving.

03 The **Electronic Stabilisation Programme (ESP)** prevents the vehicle from swerving in critical driving conditions by controlled and targeted intervention in the brake and engine management. Thus, the vehicle achieves maximum directional stability.

04 The **tyre pressure monitoring** display activates a warning signal to highlight significant changes in tyre pressure. This lets the driver know that the tyre pressure should be checked as soon as possible.

05 The **Anti-lock Braking System (ABS)** prevents wheels from locking up and therefore significantly improves the manoeuvrability of the vehicle under heavy braking.

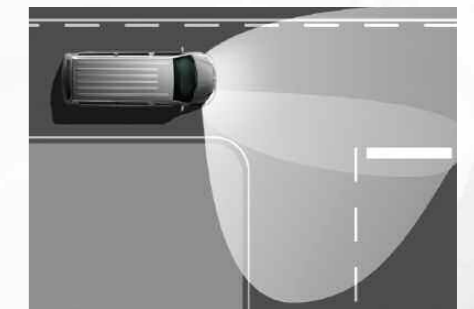
06 The **Brake Assist** system recognises the speed at which the brake pedal is actuated. In the case of reflex or emergency braking, the system applies full brake pressure more rapidly to achieve the shortest possible stopping distance.



Lane Change Assist^{1,2} has radar sensors to help monitor traffic. When you change lanes, the system warns you via flashing lights in the exterior mirrors if another vehicle is identified within the blind spot.



The **reversing camera¹** gives you an optimised view of the area behind your vehicle. Coloured lines on the display of the optional RNS 315 or RNS 510 satellite navigation systems indicate a safe route for parking.



Cornering lights¹, integrated into the front fog lights, help to illuminate curves and bends in the road ahead. This allows you to anticipate possible risks sooner, helping you to arrive at your destination safely.

¹ Lane Change Assist, reversing camera and cornering lights are available as optional extras.

² Lane Change Assist requires electric folding door mirrors to be fitted and includes rain sensor with auto-dimming rear-view mirror, cruise control and trip computer.

SMOOTH PROGRESS.

Our renowned TDI engines have long been setting the standards in diesel technology – and with rising fuel costs, we've also been working hard to lower fuel consumption, while reducing CO₂ emissions. The Transporter shuttle range reflects this with a choice of five 2.0 litre common-rail diesel engines, all complying with Euro 5 emission limits and equipped with diesel particulate filters as standard.

Four of the engines use TDI technology, while the powerful 180PS diesel engine features BiTurbo (BiTDI) technology for the ultimate diesel experience. On the shuttle S, there's a choice of 84PS, 102PS, 114PS or 140PS TDI diesel engines, while the shuttle SE offers a choice of 102PS, 114PS, 140PS TDI and the powerful 180PS BiTDI twin-turbo diesel engine. And when mated to a choice of 5 or 6-speed manual, or 7-speed dual clutch direct shift (DSG) gearboxes, you'll discover our engines will carry you to your destination swiftly and smoothly.



DUAL CLUTCH DIRECT SHIFT GEARBOX (DSG).

Our 7-speed, dual clutch direct shift gearbox (DSG) can be used as a fully automatic gearbox, or as a responsive quick-shift manual. The innovative dual clutch system not only facilitates an instant gear change, but can also benefit fuel consumption, whilst also helping to maintain swift and smooth progress.



TDI

2.0 LITRE 62kW (84PS) TDI ENGINE.¹

The entry level 84PS TDI diesel engine draws strength from a cubic capacity of 1,968cc. Thanks to TDI technology, it delivers a maximum torque of 220Nm. As is the case with all our TDI engines, CO₂ emissions and fuel consumption have been optimised, while still giving a significant increase in performance. This engine is available with a 5-speed manual gearbox.

2.0 LITRE 75kW (102PS) TDI ENGINE.¹

The 102PS TDI diesel engine develops more power from the same cubic capacity. Fuel consumption and CO₂ emissions are equally impressive, as is 250Nm maximum torque for added performance. This engine is available with a 5-speed manual gearbox.

2.0 LITRE 84kW (114PS) TDI ENGINE.¹

The 114PS TDI diesel engine offers the perfect balance of power, torque and economy. Offering the lowest fuel consumption and CO₂ emissions in the range, it still delivers 250Nm maximum torque. This engine is available with a 5-speed manual gearbox.

2.0 LITRE 103kW (140PS) TDI ENGINE.¹

Thanks to a remarkable 340Nm maximum torque, the 140PS TDI diesel engine is a pleasure to drive. CO₂ emissions and fuel consumption have been significantly reduced for the sake of the environment and your pocket. This engine is available with a 6-speed manual gearbox or our innovative 7-speed dual clutch direct shift gearbox (DSG).

2.0 LITRE 132kW (180PS) BiTDI ENGINE.¹

As the most powerful engine in the range, the amazing 180PS BiTDI diesel engine features BiTurbo (BiTDI) technology and produces an incredible 400Nm maximum torque. This results in a driving experience that's second to none. This engine is available with a 6-speed manual gearbox or 7-speed dual clutch direct shift gearbox (DSG).

¹ Please refer to page 23 for information about fuel consumption and CO₂ emissions.

BLUEMOTION TECHNOLOGY.

BlueMotion Technology (BMT) is available as a cost-effective addition to most shuttle models¹. It consists of four key elements, namely **cruise control**, **low rolling resistance tyres**, **regenerative braking** and **Start/Stop**, which when added together, contribute to significant improvements in fuel consumption and CO₂ emissions. As a driver, this not only benefits your pocket, but also demonstrates your concern for the environment!

BLUEMOTION TECHNOLOGY

FOUR KEY ELEMENTS.

1. CRUISE CONTROL.

By driving at a constant speed, cruise control saves fuel which would normally be wasted by fluctuations in speed. This lowers CO₂ emissions with the benefit of increasing driver comfort.

2. LOW ROLLING RESISTANCE TYRES.

These don't need to work as hard to get your vehicle moving (and keep it rolling) which is especially useful when travelling fully loaded. This reduces engine work, saves fuel and lowers CO₂ emissions.

3. REGENERATIVE BRAKING.

When you brake, the energy recuperation system uses momentum to turn the alternator and charge the battery. A well charged battery results in the engine doing less work, which in-turn saves fuel and lowers CO₂ emissions.

4. START/STOP.

Allows you to save fuel by automatically turning the engine off when you stop and engage neutral. As soon as it's time to move, the engine starts up again. A simple, but highly effective system.

BLUEMOTION TECHNOLOGY PRICE.²

Shuttle S and SE

Basic price (exc. VAT)	£340.00
Total price (inc. VAT)	£408.00

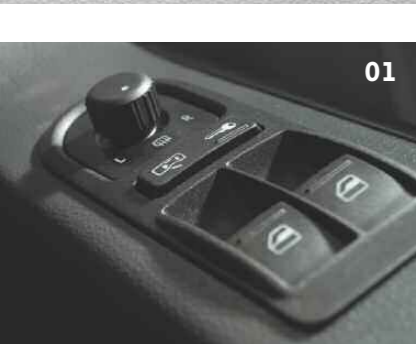
¹ BlueMotion Technology can be added to any model except those with a 102PS engine.

² There is no additional cost for BMT on Transporter shuttles specified with a 114PS engine.



COMFORT, FLEXIBILITY AND SPACE.

Without doubt, the shuttle's interior styling, ergonomic layout, dynamic driving characteristics and extensive specification make it a top performer in its own right. Take driver and front passenger comfort for instance. The ergonomic seats feature lumbar support, height, reach and rake adjustment and twin armrests as standard. The steering wheel adjusts for reach and rake, while the gearknob is dashboard mounted for maximum convenience. For entertainment the shuttle is fitted with an RCD 210 radio with single MP3 compatible CD player and AUX-IN socket, while for convenience, electric front windows, electrically heated and adjustable door mirrors and remote central locking play their part. Behind the cab there's standard seating for six passengers along two rows of seats, each fitted with 3-point seatbelts and height-adjustable head restraints as standard.



01



02



03

Main image features optional equipment.



04



05



06

- 01 Controls for standard electric front windows and electrically heated and adjustable door mirrors.
- 02 Optional cruise control (standard on BlueMotion Technology models).
- 03 Optional dual clutch direct shift gearbox (DSG).

- 04 A range of storage solutions, including a standard lower dashboard storage net.
- 05 Optional RCD 310 radio with MP3 compatible CD player and four speakers. DAB+ also available.
- 06 Optional dual passenger with fold-down storage tray in backrest.



SHUTTLE S. SIT BACK AND RELAX.

The **Transporter shuttle S** delivers the perfect combination of comfort, durability and space. From the moment you enter, you'll find a light and airy interior constructed from high-quality materials. Moulded interior trim, roof headlining and Tasamo cloth seats set the scene, while features such as heat insulating glass, a rear heating system, multiple air vents and sunblinds on rear passenger area side windows help to create a controlled atmosphere that feels like home.

When it comes to practicality, you'll find the abilities of the shuttle S more than just skin deep. For instance, the cab has useful wide door bins and is packed with a number of handy integral storage compartments, including cup holders. The passenger area has space in abundance, with great access through two side sliding doors (with childlocks), while luggage is easily accommodated through a rear tailgate with heated window and wash-wipe. When carrying small children, for added safety, ISOFIX mounting points allow the easy fitting of two child seats in the first rear row. In fact, when you need to comfortably carry a large number of passengers, as well as their luggage, you'll find the shuttle S virtually unbeatable.



01



02



03



04

Main image features optional equipment.

- 01 Tailgate with heated rear window and wash-wipe.
- 02 Reading lights in headlining for rear passenger compartment.
- 03 Sunblinds for side windows in passenger compartment.
- 04 Luggage compartment light for ease of loading.

SHUTTLE SE. ARRIVE IN STYLE.

For undoubted practicality, versatility and equally high levels of desirability, the **Transporter shuttle SE** is the answer. Ideal for families or image conscious commercial or corporate passengers, the shuttle SE is all about added presence. It achieves this by combining the extensive standard features found in the shuttle S, with a number of stylish and practical enhancements, designed to take the SE onto another level. Standard SE features include plush floor carpet, upgraded Timo upholstery, vented roof trim with reading lights and Climatic air conditioning, vented through the dash and 'B' pillar vents. External features include body-coloured bumpers, door mirrors and handles, chrome detailing and full wheel trims. As with all shuttle models, a range of useful options are available that reflect its virtue as a great passenger vehicle.



- 01 Carpet flooring with load-lashing rings – six in short wheelbase or eight in long wheelbase.
- 02 12v sockets in cab and passenger areas.

- 03 Fully trimmed luxury interior.
- 04 Optional headlight washer system with fluid level indicator and heated washer jets.
- 05 Side sliding windows can be added to either or both side sliding doors.

SHUTTLE S STANDARD EQUIPMENT.

AUDIO AND COMMUNICATIONS.

RCD 210 radio with single MP3 compatible CD player, AUX-IN socket and two speakers.

INTERIOR – CAB AREA.

Digital clock.
Dimmable dashboard illumination.
Driver and front passenger seats with lumbar, height, reach and rake adjustments and armrests.
Electric front windows.
Interior light.
Gear shift indicator.
Lockable glove compartment.
Manually controlled heating system with dust and pollen filter and air recirculation.
Rev counter.
Rubber floor covering.
Storage net on lower dash passenger side.
Sun visors with vanity mirrors.
Tasamo cloth upholstery.
12v socket.

INTERIOR – PASSENGER AREA.

Grab handle on 'A' pillars for driver and front passenger.
Load-lashing rings (six with short wheelbase and eight with long wheelbase).
Reading lights in headlining for rear passenger compartment.
Rubber floor covering.
Sunblinds for side windows in passenger compartment.
Tasamo cloth upholstery.
Three-seat bench in second rear row, folding and tipping.
Two-seat bench to the right with two ISOFIX mountings and separate seat to the left in first rear row.
12v socket.

EXTERIOR.

Black wheel centre caps.
Driver and passenger side sliding doors.
Electrically heated and adjustable door mirrors.
Galvanised steel body.
Gas struts for bonnet and tailgate.
Grey door mirrors and handles.
Grey front and rear bumpers.
Heat insulating glass.
Tailgate with heated rear window and wash-wipe.
80 litre lockable fuel tank.

SAFETY AND SECURITY.

Anti-lock Braking System (ABS).
Driver and passenger front airbags (with passenger deactivation).
Electronic Brakeforce Distribution (EBD).
Electronic Differential Lock (EDL).
Electronic Stabilisation Programme (ESP).
Height-adjustable head restraints.
Hill Hold Assist.
Reach and rake adjustable steering column.
Remote central locking with interior locking switch with one fixed and two remote folding keys.
Tyre pressure monitoring.

WHEELS AND TYRES.

WHEELS

16" x 6.5J steel wheels.
Full size steel spare wheel.
Tool kit and jack.

TYRES

205/65 R16 (84PS, 102PS and 140PS models).
215/65 R16 (low rolling resistance on 114PS and BlueMotion Technology models).

SHUTTLE SE STANDARD EQUIPMENT IN ADDITION TO SHUTTLE S.

INTERIOR – CAB AREA.

Carpet floor covering.
'Climatic' semi-automatic air conditioning.
Premium dashboard.
Storage pockets on front seat backrests.
Timo cloth upholstery.
Trip computer with multi-function display.
Two-tone horn.
Washer fluid level indicator.

INTERIOR – PASSENGER AREA.

Carpet floor covering.
Deluxe headlining, incorporating ventilation strips and adjustable reading lights.
Timo cloth upholstery.

EXTERIOR.

Body-coloured door mirrors and handles.
Body-coloured front and rear bumpers.
Chrome detailing in upper grille.

WHEELS AND TYRES.

WHEELS

17" x 7J steel wheels (180PS models).
Full wheel trims.

TYRES

235/55 R17 (180PS models).



- 01 Rubber floor covering in cab and passenger area.
- 02 RCD 210 radio with MP3 compatible CD player.
- 03 Start/Stop – part of BlueMotion Technology pack.

- 04 Vented roof trim with reading lights.
- 05 Climatic air conditioning.
- 06 Chrome detailing in upper grille.
- 07 Body-coloured door mirrors and handles.
- 08 Body-coloured front and rear bumpers.
- 09 Full wheel trims.

PAINT FINISHES.



CANDY WHITE
Solid paint
B4B4



PURE GREY
Solid paint
J2J2



BLACKBERRY
Metallic paint¹
COC0



DARK WOOD
Pearl effect paint¹
P3P3



BRIGHT ORANGE
Solid paint
E3E3



SALSA RED
Solid paint
4Y4Y



DEEP BLACK
Pearl effect paint¹
2T2T



INDIA BLUE
Solid paint
F3F3



ONTARIO GREEN
Solid paint
V7V7



REFLEX SILVER
Metallic paint¹
8E8E



NATURAL GREY
Metallic paint¹
M4M4



SAND BEIGE
Metallic paint¹
P8P8



OLYMPIA BLUE
Metallic paint¹
S6S6

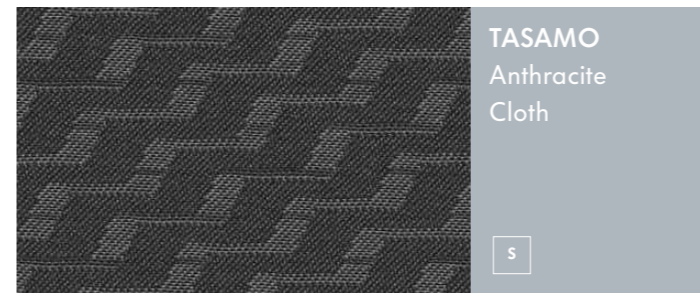


NIGHT BLUE
Metallic paint¹
Z2Z2



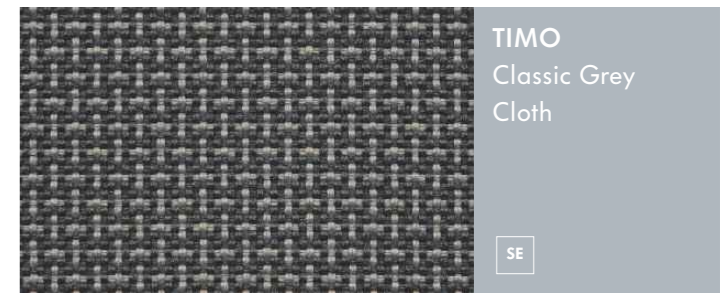
TOFFEE BROWN
Metallic paint¹
Q4Q4

UPHOLSTERY.



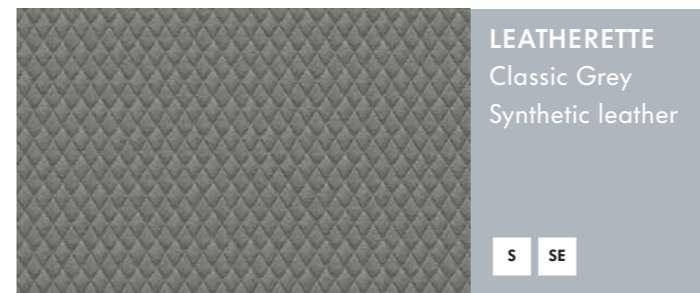
TASAMO
Anthracite
Cloth

S



TIMO
Classic Grey
Cloth

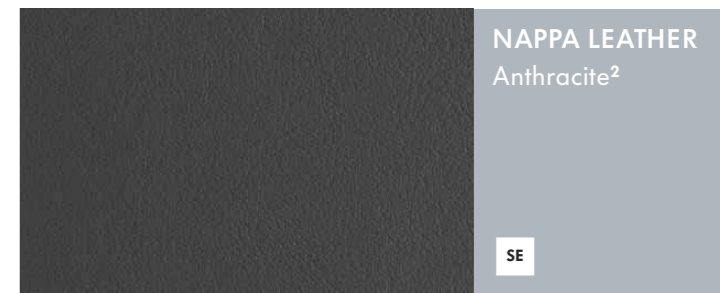
SE



LEATHERETTE
Classic Grey
Synthetic leather

S

SE



NAPPA LEATHER
Anthracite²

SE

KEY.

S SHUTTLE S **SE** SHUTTLE SE **■** STANDARD **□** OPTIONAL

¹ Metallic and pearl effect finishes are available at extra cost.

² Seat material in contact with driver and passengers is leather, all other areas are leatherette.

Please note: Not all paint and upholstery combinations can be ordered together and in some instances certain combinations may incur extra cost. Likewise, not all paint finishes are available for both S and SE. Please check details and availability with your Volkswagen Van Centre at the time of ordering.

Print processes do not allow exact reproduction of paint and upholstery colours.

ALLOY WHEELS.



16" COLMAR
6.5J x 16 alloys with
215/65 R16 tyres.



16" MIYATO
6.5J x 16 alloys with
215/65 R16 tyres.



17" THUNDER
7J x 17 alloys with
235/55 R17 tyres.



17" TIMARU
7J x 17 alloys with
235/55 R17 tyres.



**17" CASCAVEL
SILVER**
7J x 17 alloys with
235/55 R17 tyres.



18" CANBERRA
8J x 18 alloys with
255/45 R18 tyres.

Please note: For alloy wheel, audio and communications compatibility and fitment, please see separate price list.

AUDIO AND COMMUNICATIONS.



RCD 210
FM/AM radio.
Single CD player.
MP3-file compatible.
AUX-IN socket.



RCD 310
FM/AM radio.
Single CD player.
MP3-file compatible.
AUX-IN socket.
Available with DAB+.



RNS 315
5" colour touch-screen.
6GB flash memory.
FM/AM radio with RDS.
Single CD player.
AUX-IN and SD card slot.
Western European data.



RNS 510
6.5" colour touch-screen.
Voice control.
30GB hard drive.
FM/AM radio with RDS.
Single CD/DVD drive.
AUX-IN and SD card slot.
Western European data.
Available with DAB+.

OPTIONAL SEATING CONFIGURATIONS.

SHORT WHEELBASE.



FIVE-SEAT PACKAGE
2:3:0



SIX-SEAT PACKAGE
3:3:0



SEVEN-SEAT PACKAGE
2:2:3



EIGHT-SEAT PACKAGE
3:2:3



NINE-SEAT PACKAGE
3:3:3

LONG WHEELBASE.



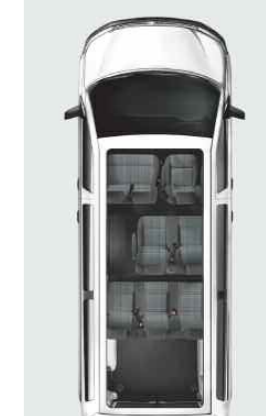
FIVE-SEAT PACKAGE
2:3:0



SIX-SEAT PACKAGE
3:3:0



SEVEN-SEAT PACKAGE
2:2:3



EIGHT-SEAT PACKAGE
3:2:3



NINE-SEAT PACKAGE
3:3:3



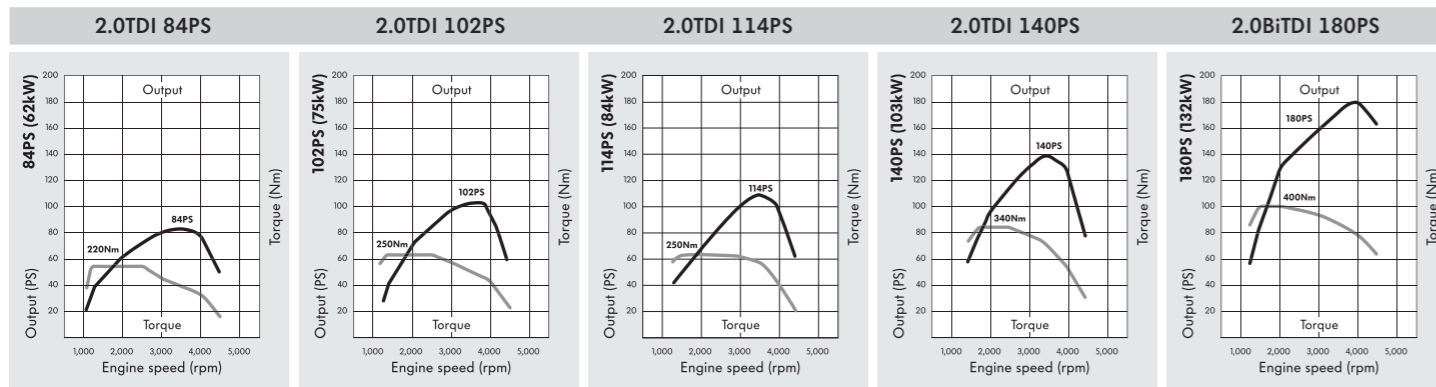
NINE-SEAT PACKAGE¹
2:2:2:3

¹ Nine-seat package 2:2:2:3 with 3rd rear row is only available on shuttle long wheelbase models.

ENGINE AND GEARBOX DATA.



ENGINE SPECIFICATIONS.	2.0TDI 84PS	2.0TDI 102PS	2.0TDI 114PS	2.0TDI 140PS	2.0BiTDI 180PS
Engine type	Diesel, transverse, water-cooled, in-line, variable turbine geometry turbocharger with intercooler				Diesel, transverse, water-cooled, in-line, bi-turbo with intercooler
Mixture preparation/injection method	Common-rail, direct injection				
EU exhaust emission standard	EURO 5				
Number of cylinders	4				
Cubic capacity	1,968cc				
Output, PS at rpm	84 at 3,500	102 at 3,500	114 at 3,500	140 at 3,500	180 at 4,000
Torque, max. Nm at rpm	220 at 1,250-2,500	250 at 1,500-2,500	250 at 1,500-2,750	340 at 1,750-2,500	400 at 1,500-2,000
Diesel Particulate Filter (DPF)	●	●	●	●	●
5-speed manual gearbox	●	●	●	-	-
6-speed manual gearbox	-	-	-	●	●
7-speed dual-clutch gearbox (DSG)	-	-	-	○	○
Front-wheel drive	●	●	●	●	●
BlueMotion Technology	○	-	○	○	○
Battery	61Ah (330A)				



- Standard
- Available
- Not available

FUEL CONSUMPTION, PERFORMANCE AND EMISSIONS.

Engine/transmission	Urban mpg (ltr/100km) ¹	Extra-urban mpg (ltr/100km) ¹	Combined mpg (ltr/100km) ¹	Acceleration 0-62 mph seconds	Top speed (where law permits) mph	CO ₂ emissions g/km ¹
SHUTTLE S SHORT WHEELBASE.						
2.0TDI 84PS	29.7 (9.5)	46.3 (6.1)	38.7 (7.3)	22.2	91	193
2.0TDI 84PS BMT	33.6 (8.4)	47.9 (5.9)	41.5 (6.8)	22.2	91	179
2.0TDI 102PS	29.7 (9.5)	46.3 (6.1)	38.7 (7.3)	17.9	98	193
2.0TDI 114PS BMT	33.6 (8.4)	47.9 (5.9)	41.5 (6.8)	16.9	101	179
2.0TDI 140PS	29.4 (9.6)	44.8 (6.3)	37.7 (7.5)	14.2	107	198
2.0TDI 140PS BMT	31.7 (8.9)	47.9 (5.9)	40.4 (7.0)	14.2	107	184
2.0TDI 140PS DSG	27.7 (10.2)	42.2 (6.7)	35.3 (8.0)	14.7	107	211
2.0TDI 140PS DSG BMT	30.4 (9.3)	43.4 (6.5)	37.7 (7.5)	14.7	107	198
SHUTTLE S LONG WHEELBASE.						
2.0TDI 84PS	29.7 (9.5)	46.3 (6.1)	38.7 (7.3)	22.2	91	193
2.0TDI 84PS BMT	33.6 (8.4)	47.9 (5.9)	41.5 (6.8)	22.2	91	179
2.0TDI 102PS	29.7 (9.5)	46.3 (6.1)	38.7 (7.3)	17.9	98	193
2.0TDI 114PS BMT	33.6 (8.4)	47.9 (5.9)	41.5 (6.8)	16.9	101	179
2.0TDI 140PS	29.4 (9.6)	44.8 (6.3)	37.7 (7.5)	14.2	107	198
2.0TDI 140PS BMT	31.7 (8.9)	47.9 (5.9)	40.4 (7.0)	14.2	107	184
2.0TDI 140PS DSG	27.7 (10.2)	42.2 (6.7)	35.3 (8.0)	14.7	107	211
2.0TDI 140PS DSG BMT	30.4 (9.3)	43.4 (6.5)	37.7 (7.5)	14.7	107	198
SHUTTLE SE SHORT WHEELBASE.						
2.0TDI 102PS	29.7 (9.5)	46.3 (6.1)	38.7 (7.3)	17.9	98	193
2.0TDI 114PS BMT	33.6 (8.4)	47.9 (5.9)	41.5 (6.8)	16.9	101	179
2.0TDI 140PS	29.4 (9.6)	44.8 (6.3)	37.7 (7.5)	14.2	107	198
2.0TDI 140PS BMT	31.7 (8.9)	47.9 (5.9)	40.4 (7.0)	14.2	107	184
2.0TDI 140PS DSG	27.7 (10.2)	42.2 (6.7)	35.3 (8.0)	14.7	107	211
2.0TDI 140PS DSG BMT	30.4 (9.3)	43.5 (6.5)	37.7 (7.5)	14.7	107	198
2.0BiTDI 180PS	28.8 (9.8)	42.2 (6.7)	36.2 (7.8)	11.4	119	205
2.0BiTDI 180PS BMT	31.7 (8.9)	44.1 (6.4)	38.7 (7.3)	11.4	119	192
2.0BiTDI 180PS DSG	27.7 (10.2)	40.9 (6.9)	34.9 (8.1)	11.3	117	214
2.0BiTDI 180PS DSG BMT	32.1 (8.8)	40.9 (6.9)	37.2 (7.6)	11.3	119	199
SHUTTLE SE LONG WHEELBASE.						
2.0TDI 102PS	29.7 (9.5)	46.3 (6.1)	38.7 (7.3)	17.9	98	193
2.0TDI 114PS BMT	33.6 (8.4)	47.9 (5.9)	41.5 (6.8)	16.9	101	179
2.0TDI 140PS	29.4 (9.6)	44.8 (6.3)	37.7 (7.5)	14.2	107	198
2.0TDI 140PS BMT	31.7 (8.9)	47.9 (5.9)	40.4 (7.0)	14.2	107	184
2.0TDI 140PS DSG	27.7 (10.2)	42.2 (6.7)	35.3 (8.0)	14.7	107	211
2.0TDI 140PS DSG BMT	30.4 (9.3)	43.4 (6.5)	37.7 (7.5)	14.7	107	198
2.0BiTDI 180PS	28.8 (9.8)	42.2 (6.7)	36.2 (7.8)	11.4	119	205
2.0BiTDI 180PS BMT	31.7 (8.9)	44.1 (6.4)	38.7 (7.3)	11.4	119	192
2.0BiTDI 180PS DSG	26.9 (10.5)	39.2 (7.2)	33.6 (8.4)	11.3	117	221
2.0BiTDI 180PS DSG BMT	32.1 (8.8)	40.9 (6.9)	37.2 (7.6)	11.3	119	199

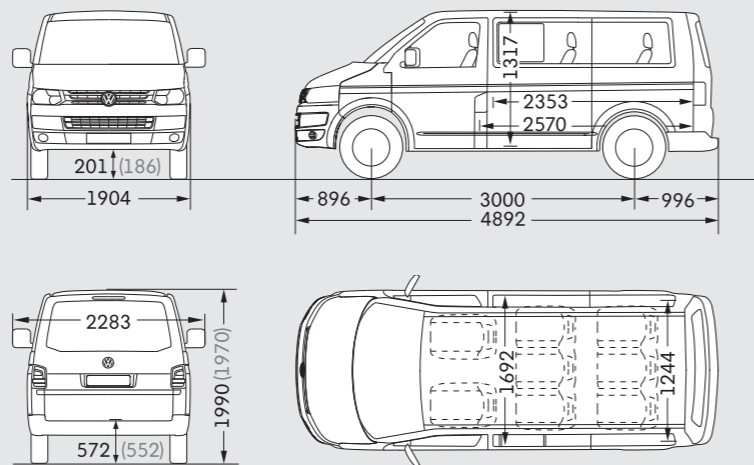
¹ The fuel consumption and emission values listed here have been ascertained in accordance with the legally stipulated measuring method. These figures do not refer to a particular specific vehicle and do not constitute part of the offer but are purely for comparison purposes between the various types of vehicle. In addition to the fuel efficiency of a vehicle, driving behaviour as well as other non-technical factors (such as environmental conditions) play a role in determining a vehicle's fuel consumption and CO₂ emissions. In addition to weather and traffic conditions, extra equipment and accessories (attachment parts, tyres, etc.) may change vehicle parameters such as the weight, rolling resistance of the tyres and the aerodynamics and thus influence the fuel consumption and driving performance values.

SHUTTLE DIMENSIONS AND WEIGHTS.

SHORT WHEELBASE.

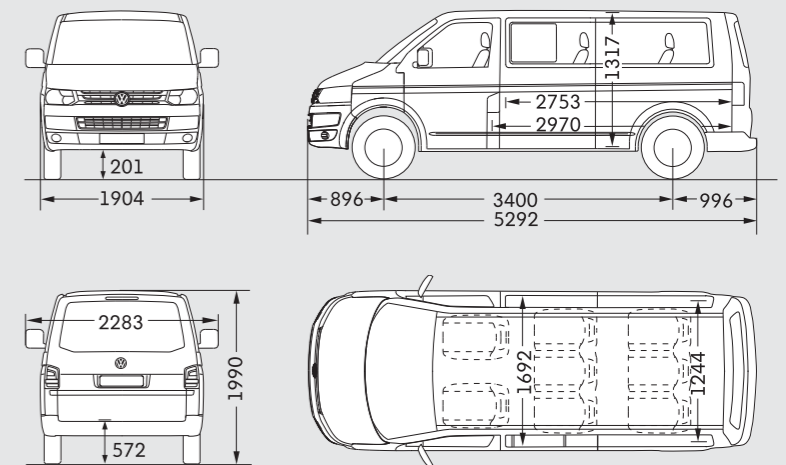
Wheelbase	3,000	
Load compartment	length	2,570
	width	1,692
	width between wheel arches	1,244
	height	1,317
	floor area	4.3m ²
	load volume	5.8m ³
Side sliding door	width	1,020
	height	1,268
Rear tailgate	width	1,486
	height	1,295
Turning circle (wall to wall)	11.9m	

Dimension figures shown in brackets refer to shuttle SE.



LONG WHEELBASE.

Wheelbase	3,400	
Load compartment	length	2,970
	width	1,692
	width between wheel arches	1,244
	height	1,317
	floor area	5.0m ²
	load volume	6.7m ³
Side sliding door	width	1,020
	height	1,268
Rear tailgate	width	1,486
	height	1,295
Turning circle (wall to wall)	13.2m	



Engine/transmission	Gross vehicle weight kg	Axle load limit front/rear kg	Trailer weight braked 12%/ unbraked kg	Gross train weight kg	Unladen weight ¹ kg	Payload ² kg
SHUTTLE S SHORT WHEELBASE.						
2.0TDI 84PS	3,000	1,500 / 1,575	2,200 / 750	4,800	2,080	920
2.0TDI 84PS BMT	3,000	1,500 / 1,575	2,200 / 750	4,800	2,089	911
2.0TDI 102PS	3,000	1,500 / 1,575	2,200 / 750	4,900	2,080	920
2.0TDI 114PS BMT	3,000	1,500 / 1,575	2,200 / 750	4,900	2,089	911
2.0TDI 140PS	3,000	1,550 / 1,575	2,500 / 750	5,200	2,116	884
2.0TDI 140PS BMT	3,000	1,550 / 1,575	2,500 / 750	5,200	2,124	876
2.0TDI 140PS DSG	3,000	1,550 / 1,575	2,500 / 750	5,300	2,132	868
2.0TDI 140PS DSG BMT	3,000	1,550 / 1,575	2,500 / 750	5,300	2,140	860

Engine/transmission	Gross vehicle weight kg	Axle load limit front/rear kg	Trailer weight braked 12%/ unbraked kg	Gross train weight kg	Unladen weight ¹ kg	Payload ² kg
SHUTTLE SE SHORT WHEELBASE.						
2.0TDI 102PS	3,000	1,500 / 1,575	2,200 / 750	4,900	2,075	925
2.0TDI 114PS BMT	3,000	1,500 / 1,575	2,200 / 750	4,900	2,084	916
2.0TDI 140PS	3,000	1,550 / 1,575	2,500 / 750	5,200	2,111	889
2.0TDI 140PS BMT	3,000	1,550 / 1,575	2,500 / 750	5,200	2,150	850
2.0TDI 140PS DSG	3,000	1,550 / 1,575	2,500 / 750	5,300	2,127	873
2.0TDI 140PS DSG BMT	3,000	1,550 / 1,575	2,500 / 750	5,300	2,166	834
2.0BiTDI 180PS	3,000	1,550 / 1,575	2,500 / 750	5,200	2,161	839
2.0BiTDI 180PS BMT	3,000	1,550 / 1,575	2,500 / 750	5,200	2,194	806
2.0BiTDI 180PS DSG	3,000	1,550 / 1,575	2,500 / 750	5,300	2,173	827
2.0BiTDI 180PS DSG BMT	3,000	1,550 / 1,575	2,500 / 750	5,300	2,210	790

Engine/transmission	Gross vehicle weight kg	Axle load limit front/rear kg	Trailer weight braked 12%/ unbraked kg	Gross train weight kg	Unladen weight ¹ kg	Payload ² kg
SHUTTLE S LONG WHEELBASE.						
2.0TDI 84PS	3,000	1,525 / 1,600	2,200 / 750	4,800	2,145	855
2.0TDI 84PS BMT	3,000	1,525 / 1,600	2,200 / 750	4,800	2,154	846
2.0TDI 102PS	3,000	1,525 / 1,600	2,200 / 750	4,900	2,145	855
2.0TDI 114PS BMT	3,000	1,525 / 1,600	2,200 / 750	4,900	2,154	846
2.0TDI 140PS	3,000	1,575 / 1,600	2,500 / 750	5,200	2,182	818
2.0TDI 140PS BMT	3,000	1,575 / 1,600	2,500 / 750	5,200	2,189	811
2.0TDI 140PS DSG	3,000	1,575 / 1,600	2,500 / 750	5,300	2,197	803
2.0TDI 140PS DSG BMT	3,000	1,575 / 1,600	2,500 / 750	5,300	2,205	795

Engine/transmission	Gross vehicle weight kg	Axle load limit front/rear kg	Trailer weight braked 12%/ unbraked kg	Gross train weight kg	Unladen weight ¹ kg	Payload ² kg
SHUTTLE SE LONG WHEELBASE.						
2.0TDI 102PS	3,000	1,525 / 1,600	2,200 / 750	4,900	2,172	828
2.0TDI 114PS BMT	3,000	1,525 / 1,600	2,200 / 750	4,900	2,181	819
2.0TDI 140PS	3,000	1,575 / 1,600	2,500 / 750	5,200	2,208	792
2.0TDI 140PS DSG	3,000	1,575 / 1,600	2,500 / 750	5,300	2,224	776
2.0TDI 140PS BMT	3,000	1,575 / 1,600	2,500 / 750	5,200	2,216	784
2.0TDI 140PS DSG BMT	3,000	1,575 / 1,600	2,500 / 750	5,300	2,336	664
2.0BiTDI 180PS	3,000	1,575 / 1,600	2,500 / 750	5,200	2,258	742
2.0BiTDI 180PS DSG	3,000	1,575 / 1,600	2,500 / 750	5,300	2,270	730
2.0BiTDI 180PS BMT	3,000	1,575 / 1,600	2,500 / 750	5,200	2,260	740
2.0BiTDI 180PS DSG BMT	3,000	1,575 / 1,600	2,500 / 750	5,300	2,275	725

¹ Unladen weight figures are calculated with 100% fuel load and no driver.

² Payload = gross vehicle weight – unladen weight. Weights are for vehicles with standard specification.

The addition of factory options or Volkswagen Van Centre fitted accessories may affect unladen weight and payload. Roof load limit 100kg (with two roof carriers) or 150kg (with at least four roof carriers). Trailer nose weight 100kg.

Please note: Vehicle drawings are not to scale. All dimensions in millimeters (mm), unless otherwise stated. The height measurements listed may vary by ± 50mm depending on model and equipment fitted.

SERVICE AND WARRANTIES.

FINANCE AND INSURANCE.

When it comes to paying for your vehicle, we've got options including Contract Hire and Finance Lease, or Hire Purchase. We can also offer you competitive insurance.

A CHOICE OF PACKAGES.

Whether you prefer to lease your vehicles, with none of the concerns of ownership and the freedom to change models easily, or purchase outright to own the vehicle, we're here to help you make the best decision.

You can go flexible, by choosing a payment plan that suits your finances, with options to reduce your monthly costs and your repayment period. Or choose a fixed monthly price that allows you to budget confidently for the longer term.

You can even include your road tax and servicing costs to arrive at one simple, all-inclusive payment. For more information, pick up a finance brochure, or ask at your Van Centre.

VOLKSWAGEN INSURANCE.

Volkswagen Commercial Vehicles Insurance provides cost-effective and comprehensive motor insurance, as well as gap insurance, which helps replace your vehicle and protect you from any financial shortfall if it's written off.

INSURANCE BENEFITS INCLUDE:

- Free seven-day cover to allow you to drive your vehicle away.
- All repairs performed by approved repairers.
- Volkswagen Genuine Parts® used on all repairs.
- Courtesy vehicle provided during repair following an accident.
- Cover for breakage and damage to glass.
- Tools-in-transit cover (up to £1,000).
- In-vehicle personal belongings cover (up to £500).
- Vehicle recovery.
- 60-day European Union cover.
- Legal expenses cover (up to £100,000).

For more information about motor and gap insurance products, ask at your Van Centre, call **0800 316 7896**, or visit insurewithvwcv.co.uk.

SERVICING AND SUPPORT.

We're here to keep you moving, with our range of three award-winning¹ servicing and maintenance options, as well as free Roadside Assistance.

PAY MONTHLY.

This option is available for vehicles that are less than 12 months old and have covered less than 10,000 miles. It makes budgeting easier by splitting the cost of servicing into fixed monthly payments – whether you want Service only, Service and Maintenance or Service, Maintenance and Tyres.

PAY UPFRONT.²

If you can pay for more than one service upfront, we'll help by reducing your costs. Buy two upfront and you'll receive one interim and one full service at a discounted rate. Buy four and you'll receive two interim and two full services, with your next MOT also included.

PAY ON DEMAND.

If you're looking for freedom and flexibility with your servicing, it's good to know we're ready when you are. So with our third option, you can choose to pay for your services as and when you need them, with our National Service Pricing. Ask your Van Centre for an up-to-date pricing guide.

ROADSIDE ASSISTANCE.

We understand the need to keep you mobile. That's why all new vehicles come with three-year, unlimited mileage roadside cover. Should the unexpected happen, one call gets you straight through to a team trained to help you through any breakdown or accident. Supporting you every day will be a team of 95 vehicle technicians, fully-trained by Volkswagen and carrying the latest diagnostic equipment, specialist tools and parts.

ASSISTANCE BENEFITS INCLUDE:

- Assistance at home, by the roadside or place of work.
- Recovery to your preferred location.
- Onward travel, for you and your cargo.
- Cover 24 hours a day, 365 days a year.
- Free cover for three years (on new vehicles).
- Unlimited mileage.
- European cover.
- Option to extend cover beyond three years.

WARRANTIES.

You can count on us long after you purchase your shuttle, thanks to its comprehensive three-year, 100,000 mile warranty. You choose Volkswagen because you depend on your vehicle, year in, year out.

While your shuttle is under warranty, we'll fix any defect in manufacture or workmanship free of charge, even if you purchase and service the vehicle at different Van Centres.

EXTENDED WARRANTY.

You can also extend your warranty beyond the three-year, 100,000 mile period, choosing either Comprehensive or Major Component cover, as a one-off or monthly payment. For full details of cover levels, along with terms and conditions, please visit volkswagencvwarranty.co.uk where you'll also be able to obtain a quote and purchase an extended warranty.

PAINT AND BODY WARRANTY.

Your shuttle's exterior paintwork is covered against manufacturing defects for a period of three years, while its body sections and panels are covered against rusting through from the inside for 12 years. Some exclusions apply and the vehicle must be cared for using the guidance in your owner's manual.

PLEASE NOTE: Print processes do not allow exact reproduction of the paint and upholstery colours. Some of the vehicles shown are European specification and may be fitted with optional equipment or accessories that are available at extra cost, or do not reflect current specification. All data and specifications are in accordance with information available at the time of going to print and are subject to change without notice. Vehicles not currently in UK stock and customer order vehicles may take a number of weeks for delivery. Certain combinations of vehicle specifications and factory-fitted extras are not compatible and therefore all orders received are subject to confirmation. Models, factory-fitted options and paint and upholstery options are subject to availability. Please check details and availability with an authorised Volkswagen Van Centre at the time of ordering.

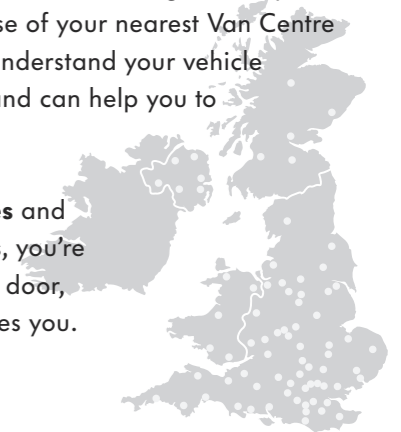
Volkswagen Commercial Vehicle Finance is a trading name of Volkswagen Financial Services (UK) Limited, Brunswick Court, Yeomans Drive, Blakelands, Milton Keynes MK14 5LR. Registered in England number: 2835230. An offer of finance depends on certain conditions. Subject to status, indemnities may be required. Available to over 18s in the UK only. Volkswagen Commercial Vehicle Insurance is a trading name of Volkswagen Insurance Service (Great Britain) Limited, an appointed representative of Volkswagen Financial Services (UK) Limited, registered in England number: 2835230 (registered office: Brunswick Court, Yeomans Drive, Blakelands, Milton Keynes MK14 5LR). Volkswagen Commercial Vehicle Insurance motor insurance is sold, underwritten and administered by Allianz Insurance plc., registered in England number: 84638 (registered office: 57 Ladymead, Guildford, Surrey GU1 1DB). Volkswagen Financial Services (UK) Limited is authorised and regulated by the Financial Conduct Authority. Financial Services Register number: 311988. Allianz Insurance plc is authorised by the Prudential Regulation Authority and regulated by the Financial Conduct Authority and the Prudential Regulation Authority. Financial Services Register number: 121849. Volkswagen Financial Services (UK) Limited and Allianz Insurance plc are not part of the same corporate group.

THE VAN CENTRE NETWORK.



Our **dedicated Van Centre network** is at the core of everything we do and is always there to help. As a separate brand within the Volkswagen Group, it makes sense to make use of your nearest Van Centre – it's full of experts who understand your vehicle better than anyone else and can help you to get the most out of it.

With over **70 Van Centres** and **29 Authorised Repairers**, you're only 45 minutes from our door, wherever your shuttle takes you.



¹ Business Vans Awards 2014: Best Service Package for Van Owners.

² Class 4 MOT only. This option is available to all new and used vehicles up to four years old or with less than 80,000 miles on the clock. Services must be used consecutively prior to vehicle reaching eight years old.

Transporter shuttle

VWY15SHUTT2

This brochure supersedes all previous publications.

Issue: November 2014

www.volkswagen-vans.co.uk