



The Atego. The Antos.

Distribution. 6.5–44 tonnes gcw.

Mercedes-Benz

Trucks you can trust



RoadStars: Come aboard – it's worth it.

RoadStars. RoadStars is the Mercedes-Benz interactive communication platform for drivers, operators and anyone interested in trucks – you too can become part of the extensive RoadStars community. Registered users are kept up to date with the latest information on a regular basis. You also have the opportunity to get more involved, for example by commenting, uploading pictures, chatting or sharing content.

As a member you can join in exclusive events, offers and experiences at Mercedes-Benz Trucks. Whether you use a smartphone, tablet, laptop or desktop computer – an internet connection is all it takes to access RoadStars at any time, wherever you are. Join in now and become a genuine RoadStar: www.roadstars.mercedes-benz.com



Contents.

Mercedes-Benz distribution transportation	4–5	Technical data – Antos	42–47
		Cab variants	42–43
		Tank variants	44
		Engine performance data, frame overhangs, end cross members	45
		Model overview	46–47
The Atego 6.5–16 t	6–19	Content common to both model series	48–71
Cab, equipment	10–15		
Engines, transmissions, gearshift	16–17	Efficiency in short-radius distribution	48–69
Driving comfort, body-mounting ability	18–19	Low overall costs	50–65
		High standards of safety	66–67
		High vehicle usage	68–69
Technical data – Atego	20–23	Genuine accessories	70–71
Cab variants	20–21		
Model overview	22–23		
The Antos 18–44 t	24–41		
Cab, equipment	28–33		
Engines, transmissions, gearshift	34–35		
Frame, chassis, suspension	36–37		
Sector-specific vehicle concepts	38–39		
Antos Loader	40		
Antos Volumer	41		





Mercedes-Benz distribution transportation.

Distribution transportation has its very own set of rules. This is why we have created the Atego, for distribution transportation from 6.5 to 16 t, and the Antos, for distribution transportation from 18 t, to ensure that you are ideally placed to meet the challenges facing this sector.

With the Atego you have the perfect vehicle for the demands associated with activities such as landscaping, furniture transport, refrigerated transport or general cargo distribution. And with the Antos, you can work extremely efficiently in the fields of grocery and refrigerated transport, general cargo and drinks distribution, in the tanker and dry-bulk haulage sector or wherever there is a need for high-volume transport.

Both model series impress not only with a comfortable driver workplace, but also with precisely coordinated, job-matched vehicle configurations, fuel-saving, efficient technology and attractive service offers which can increase the overall cost-effectiveness further still.

Get aboard – and experience Mercedes-Benz in the distribution sector.



The easy way to stay ahead. The Atego from 6.5–16 t.

Value. At first glance – and after thousands of kilometres: the Atego impresses in every respect. Because it has the attributes that make all the difference: these include its high quality, its outstanding reliability and its durability. The high level of driving comfort and the design optimised for convenience in the course of everyday work, the efficient, environmentally sound drive technology and the very good body-mounting ability are further advantages. These underline the value of the Atego and make it the first choice in the field of light distribution operations.

At work. To enable the Atego to be tailored as closely as possible to its field of work, it is available with four cabs and three cockpit variants. All the cabs offer well thought-out ergonomics, a high level of comfort and convenience and make working in and with Atego particularly easy.

When it comes to the drive system, too, the Atego has a number of essential advantages: economical, high-torque Euro VI engines and the Mercedes PowerShift 3 automated gearshift system, whose different driving programs help optimise it in line with the requirements of its field of operation. A wide range of transmission and axle combinations completes the picture. Plus, there is the safe, superior handling which you can count on to help you cope safely with challenging driving situations and manoeuvres. Further advantages offered by the Atego: Long maintenance intervals, the repair- and maintenance-friendly vehicle concept and the very good body-mounting ability. As you can see – with the Atego you are ideally equipped for light distribution operations. Climb aboard!



Tailor-made – for working in light distribution operations.

The best possible way to prepare for operating in the 6.5–16 t distribution sector: an ideally designed driver workplace with impressive ergonomics and comfort. What's more, high-torque Euro VI engines, the Mercedes PowerShift 3 automated gearshift and effortlessly assured handling make it particularly enjoyable, too.

At work. The Atego is a truck that comes with a wide range of application-oriented equipment to make work in the distribution sector that much easier.

The four cabs, for example, each of them 2300 mm wide, not only give the vehicle a distinctive and unmistakable appearance, but also offer a compelling package of interior benefits: to ensure that it is always ideally configured to the type of work in hand, the Atego is available with three different cockpit variants, which provide for a high degree of driving and working convenience in conjunction with the instrument cluster, the multifunction steering wheel and the comfortable seats. All controls and stowage facilities are ergonomically positioned and facilitate simple handling while working in the vehicle.

The Atego's many strengths are immediately tangible when driving, too. These include the precise steering and rear axle guide for directionally accurate steering characteristics, the Mercedes PowerShift 3 automatic transmission and the powerful yet fuel-efficient 4 and 6-cylinder in-line engines.

And because the demands made on a vehicle used for short-radius distribution operations can vary so much, the Atego comes with outstanding body-mounting ability. This is ensured by a wide range of factors, including but not restricted to its electrics and electronics concept and a diverse array of factory-fitted pre-installations.

All in all: with the Atego you are outstandingly well prepared for daily operations in the distribution sector from 6.5–16 t. Today and tomorrow.

¹⁾ Availability dependent on gross vehicle weight and engine.



Low entrance. The low entrance is typical of the way in which the Atego accommodates operational needs: one or two steps¹⁾, wide-opening doors and grab handles on both sides afford easy, safe and convenient access to the cab.

A motivating working environment that's well-matched to the job. The Atego cabs.

At first glance and in every detail – the four cabs for the Atego embody all the qualities required for success in the distribution sector up to 16 t: three cockpit variants, well thought-out ergonomics, a high standard of driving comfort and convenience as well as a wealth of practical details.

ClassicSpace L-cab. Thanks to its spacious interior and the comfort bunk, the cab also offers plenty of comfort and freedom of movement for long runs lasting more than one day. The very spacious interior makes the driver's task easier while the bottom comfort bunk makes for pleasant rest periods. Numerous stowage facilities and compartments make it easy to keep the cab tidy.

ClassicSpace S-cab, extended. The cab offers a comfortable workplace with a well-organised layout and compact exterior dimensions. Additional space is provided as the rear wall has been moved back by 180 mm.

ClassicSpace S-cab. Thanks to its dimensions, the ClassicSpace S-cab reconciles a comfortable workplace with a well-organised layout and a full-length body.

BigSpace L-cab. Thanks to its headroom¹⁾ of 1910 mm, the cab (320 mm engine tunnel) also offers plenty of comfort and freedom of movement for long runs lasting more than one day.



ClassicSpace S-cab



BigSpace L-cab

Cockpit variants. The different cockpit variants for the Atego are also tailored closely to operational needs. All three are notable for the ergonomic layout of all the controls and a practical array of stowage facilities, with a 320 mm engine tunnel making access easy.

Standard cockpit²⁾. From the cupholder within reach of the driver to the power socket: everything in the cab is designed to make the job of the driver in the distribution sector easier and more pleasant.

Classic cockpit. The numerous stowage facilities that come with this cockpit variant make it ideal for use in short-radius distribution operations. Everything is arranged ergonomically and within the driver's reach. Soft surfaces conjure up a high-class setting.

Comfort in detail. The Atego provides you with a wide range of practical and comfort-enhancing functions. The line-up includes convenient brief turn signals, for example, a warning tone for parking brake and lights, cruise control operation using the buttons on the multifunction steering wheel and "follow me home" lights. In short, a host of functions to make everyday life with the vehicle more pleasant.

Pre-installation for reversing camera³⁾. The reversing camera offers greater safety and comfort – when manoeuvring, for example. The pre-installation allows it to be retrofitted. The image is displayed in the instrument cluster.

¹⁾ Headroom in front of the seats.

²⁾ Standard equipment in conjunction with centre seat.

³⁾ Optional equipment.

⁴⁾ Optional equipment in conjunction with Mercedes Powershift 3.

Comfort cockpit⁴⁾. With its projecting stowage unit below the instrument support, this cockpit offers additional stowage space to complement the already generous array of stowage facilities. This means that there is a place to stow everything, even on the longest trips.



Workplace Atego. The workplace in the Atego provides a relaxed work environment conducive to good concentration. This is the result of a number of factors: from the comfortable seats to the multifunction steering wheel and on-board computer with integrated departure check to the ergonomic layout of all the stowage facilities and controls.

10.4 cm instrument cluster. With its numerous new functions and displays, the on-board computer presents all the key information quickly, comprehensively and clearly.



Multifunction steering wheel¹⁾. With eight control buttons on both the right and left, it is possible to control many functions. For example, telephone calls can be answered and radio settings can be adjusted.

Mercedes PowerShift 3. Superior dynamic response, simple handling and low fuel consumption: the automated transmission ensures precise gear selection, short shift times, high driving comfort and optimal economy.



12.7 cm instrument cluster with video function²⁾. For even greater convenience and safety, this instrument cluster is prepared for use with a reversing camera³⁾. This allows the driver to see the area behind the vehicle.



Radios. For good entertainment the Atego can be fitted with a CD radio, a CD radio with Bluetooth® or the CD radio Comfort with Bluetooth®. All are provided with a USB and Aux-in socket.



Manual gearshift. As well as the automated transmission, a manual gearshift with pneumatic shift force assistance is available. It features outstanding ergonomics and extremely precise shifting while requiring only a low shift force.

Seats. All the seats impress with a high level of comfort. The controls are arranged intuitively, the seat cushions are particularly wide and the adjustment range especially large: lengthwise up to 200 mm, for height up to 100 mm.

Driver's suspension seat¹⁾. The air-suspended seat features a high level of seating comfort, numerous adjustment options and a flat-weave fabric cover.

Air-conditioned suspension seat. The air-suspended climatized driver's suspension seat¹⁾ climatized driver's suspension seat provides pleasant seating conditions and a high level of comfort. The integral armrests and the seat heating also contribute to this.



Comfort suspension seat¹⁾. The air-suspended seat can be adjusted to meet the individual occupant's requirements and provides the best ergonomic basis as well as a great deal of comfort. The integrated seat heating contributes to this comfort.

Heating and ventilation system. The Atego is equipped with a powerful and fast-acting air-controlled heating and ventilation system.

Hot-air auxiliary heating. The auxiliary heating system is available to complement the heating system in the cab. It can be operated as a stationary heater or to reinforce the vehicle's heating system.



Pre-installation for multimedia use¹⁾. The universal pre-installation enables the simple integration of mobile phones, MP3 players or commercially available navigation systems. Voice output is via the vehicle's loudspeakers.

¹⁾ Optional equipment.

²⁾ A reversing camera is available from Mercedes-Benz Accessories.



Diffuser nozzle. It prevents the side windows from misting or freezing in winter and can provide the driver with a cool airflow in summer

Stowage facilities and compartments. The stowage concept meets the most diverse requirements, making it easier to keep the cab tidy and so maintain a high level of organisation and efficiency. From the large shelf on the instrument support to the stowage facilities in the cockpit, on the engine tunnel and in the door lining – all are optimised for the items to be accommodated. For example, for sunglasses, drinks, delivery documents and oddments such as pens.

Stowage compartments – ClassicSpace L-cab. In addition to the stowage facilities in the cockpit, in the doors and on the engine tunnel, the ClassicSpace L-cab is equipped with stowage compartments above the windscreen and under the bunk.

Stowage facility above windscreen, 2 compartments. The two compartments are situated above the windscreen and can be reached easily from the driver's and co-driver's seat. In conjunction with FleetBoard¹⁾ the compartment closest to the driver is occupied.

Stowage tray, low. It is fitted on the engine tunnel between the driver's and co-driver's seats and is equipped with two cupholders and an ashtray receptacle.



Coolbox on engine tunnel¹⁾. Bottles and food can be stored separately in the coolbox fitted on the engine tunnel. The lid also serves as a document holder and as a step for accessing the top bunk.



BigSpace stowage compartments. The three large stowage compartments above the windscreen in the BigSpace L-cab, one of which has a hinged lid, offer plenty of stowage space. The smaller, open compartment below provides an additional stowage facility ensuring a tidy cab.



Stowage facility, high¹⁾. With a capacity of 15 l, it provides space for items required in the course of everyday work and so helps keep the cab tidy. Furthermore, it enables safe access to the upper bed.

Seat/bunk combination¹⁾. The flexible seat/bunk combination can be configured to offer either sleeping accommodation for one person or seating with a continuous backrest for up to four people.

Comfort bed, top, wide, with levelling control³⁾. Very high levels of comfort for relaxing and sleeping are offered by the upper comfort bed with its 7-zone cold foam mattress.

Bottom bed. In the extended S-cab, a fold-down day rest bunk is available.

Mattresses. Restful sleep is assured by the high-quality 7-zone cold-foam comfort mattress. This one-piece sprung-base mattress, 110 mm thick, provides individual support for the different parts of the body while also ensuring efficient ventilation.

Stowage net on rear wall. This additional stowage facility increases the amount of stowage space in the cab.

¹⁾ Optional equipment.

²⁾ A reversing camera is available from Mercedes-Benz Accessories.

³⁾ Only in conjunction with BigSpace L-Cab, 2.30 m



Beds. The lower bed, measuring 680 mm in width by 2095 mm in length, offers the utmost comfort for relaxation and sleeping in all L-cabs. The upper comfort bed¹⁾ is an impressive 685 mm wide, 1865 mm long, and features a high-quality 7-zone cold-foam mattress that is 110 mm thick. Also included are a (wrap-around) curtain and a control panel for various comfort functions.

i Advantages at a glance.

- Four cabs and three cockpit variants for trucks tailored specifically to operational needs
- Ergonomically designed workplace
- Clearly legible instrument cluster with 10.4 cm TFT colour display or instrument cluster with 12.7 cm TFT colour display, video function as well as pre-installation for a reversing camera²⁾
- On-board computer with departure check
- Multifunction steering wheel which can be operated intuitively
- Mercedes PowerShift 3 automated gearshift for better handling or manual shifting with shift force assistance
- Comprehensive line-up of wide, comfortable seats with a wide adjustment range
- Air-controlled heating and ventilation system
- Air conditioning system as well as hot-air auxiliary heating
- Comprehensive stowage concept
- Wide range of radios as well as multimedia interface
- Comfortable beds in ClassicSpace and BigSpace L-cab

A winning team. On every trip.

Efficient 4- and 6-cylinder engines that are high on delivery and low on consumption – and the Mercedes PowerShift 3 automated gearshift makes driving easier in difficult conditions, too.

Engine technology and emission control technology.

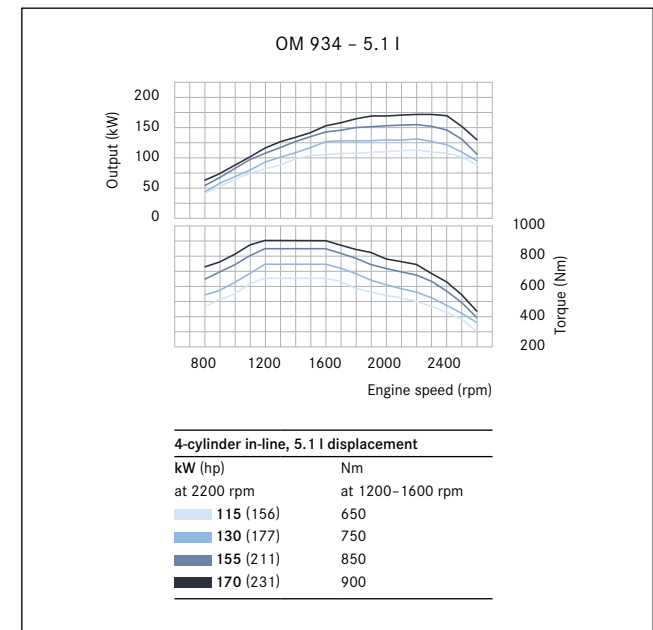
Powerful, reliable, economical – the Atego’s Euro VI engines boast low fuel consumption, spontaneous response, ample tractive power and very smooth running. The high environmental compatibility of the Euro VI in-line engines is founded on highly efficient combustion with minimal soot particles and cooled exhaust-gas recirculation, for example.

Engine brake¹⁾. The three-stage brake system offering up to **235 kW** of braking power reduces wear on the service brake while increasing safety and vehicle control.

High Performance Engine Brake²⁾. The three-stage, wear-free auxiliary brake with up to **300 kW** of braking power³⁾ is available for even greater safety.

Transmission variants. The Atego is available with a choice of 6-, 8- or 9-speed transmissions, enabling the vehicle to be tailored effectively to its intended field of deployment. In conjunction with the perfectly matched rear-axle ratios, it offers an economical drive.

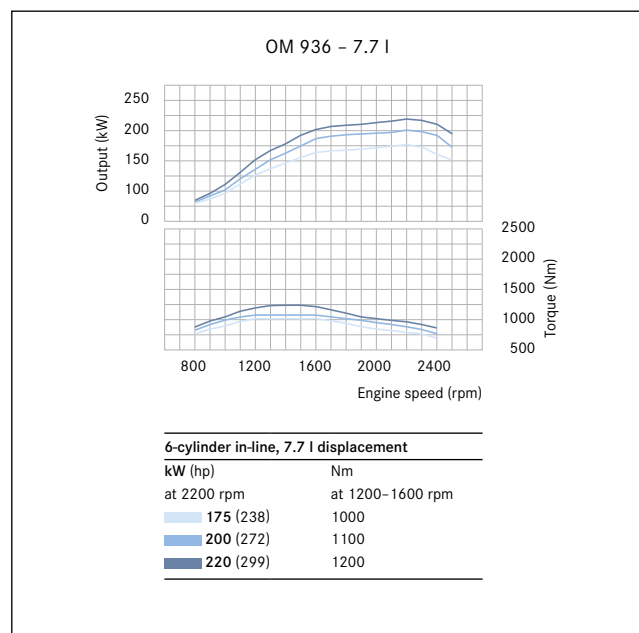
Mercedes PowerShift 3. Superior dynamic response, simple handling and low fuel consumption: the automated transmission ensures precise gear selection, short shift times, high driving comfort and optimal economy. The “economy” transmission mode supports a particularly economical driving style. In the “power” transmission mode, the speed for all shift operations is increased by 100 rpm so that the engine output is available for longer.



Smaller displacement, more power. With an output of up to **170 kW** (231 hp) and maximum torque of up to 900 Nm, the Atego’s 4-cylinder in-line engines boast performance figures which were previously the reserve of 6-cylinder engines.

Economy driving program. This driving program can be activated selectively and supports a particularly economical driving style. It is a functional addition to the “standard” transmission mode.

Power driving program³⁾. This driving mode supports an agile mode of driving in difficult topography. In “power” transmission mode the engine speed is increased by 100 rpm for all shift operations in comparison to “standard” mode. This means that the full engine power output is available for longer.



More power, more torque. With an output of up to **220 kW (299 hp)** and maximum torque of up to 1200 Nm, the 6-cylinder in-line engines provide just the power you need for your operations.

Additional functions. With Mercedes PowerShift 3, additional functions such as direct shifting from forward to reverse and one reverse gear with a high ratio⁴⁾ make for easy manoeuvring. The crawler function is particularly convenient when moving off.

Driving program	power			
	economy			
Transmission mode	economy	standard	manual	power
	No kickdown possible	Kickdown possible	No kickdown possible	Kickdown possible
	EcoRoll cannot be deactivated	EcoRoll can be deactivated	EcoRoll can be deactivated	EcoRoll deactivated
	Top speed ⁵⁾ 85 km/h	Top speed 89.8 km/h	Top speed 89.8 km/h	Top speed 89.8 km/h

Atego driving programs. The Atego is available with the two driving programs “economy” or “power”, one of which you can select at the time of purchase. Different transmission modes enhance driving comfort and efficiency.

¹⁾ Available as standard from 9.5 t.
²⁾ Optional equipment.
³⁾ Alternative at no extra cost.
⁴⁾ Two reverse gears with 8-speed transmission.
⁵⁾ Top speed of 89.8 km/h possible using the accelerator.

i Advantages at a glance.

- More fuel-efficient, reliable 4- and 6-cylinder in-line engines with high torque at low engine speeds
- Two displacement classes, seven output ratings from 115 kW (156 hp) to 220 kW (299 hp)
- Powerful engine brake or High Performance Engine Brake²⁾
- Various 6-, 8- and 9-speed transmissions for job-matched drive configurations
- Mercedes PowerShift 3 automated gearshift with “economy” or “power” driving programs as well as selectable transmission modes and additional functions



Efficient working, effortless driving. The Atego has what it takes.

You can expect a great deal from the Atego: efficient working with the vehicle, for example, excellent handling and high body-mounting ability. Which all adds up to just about everything you need. And right from your first trip, you won't want to do without any of these assets.

Ride comfort. The Atego imparts a very good, self-assured feeling behind the wheel. This stems from Stability Control Assist, the cab mountings, the steering, the rear axle guide and the suspension, all of which work together perfectly.

Suspension variants. The Atego is equipped with weight-optimised single- or multi-leaf parabolic springs. For enhanced ride comfort, a combination of steel and air suspension is also available, while models over 12 t are available with full air suspension¹⁾.

Cab mountings, rear, reinforced¹⁾. The cab mountings with reinforced rear coil springs enhance suspension comfort with steel-sprung cabs when the cab is fitted with a seat/bunk combination, for example.



Precision steering. The Atego's sensitive steering provides for simple, exact handling during manoeuvring, while at high speeds it ensures reliable straight-line stability, high directional stability and a correspondingly reduced need for corrective steering.



Atego rear axle guide. For superior handling, air-sprung Ategos up to 10.5 t and 12 t with low frame as well as all Ategos with steel suspension are fitted with a rear-axle guide that reduces roll understeer.

Air-suspended front axle. The air-suspended front axle²⁾ increases driving comfort as the vehicle level is automatically adjusted to compensate for an unevenly distributed load. When loading, it also adjusts to the height of the ramp.

Atego – good body-mounting ability. Features contributing to the high body-mounting ability include the parameterizable special module, which simplifies connection options, integration and operation of the body substantially. A host of measures additionally help to ensure that the Atego is delivered to you sooner and up and running more quickly – from the optimised layout of all components on the frame to numerous factory-fitted pre-installations.



Stabiliser, rear axle. The robust stabiliser reduces vehicle roll and thus offers greater safety and comfort. It is situated under the frame at the rear axle.

Tail lift package. The tail lift package comprises all the pre-installation measures necessary for retrofitting a tail lift.

Engine power take-off, front, pre-installation for AW30 refrigeration generator. The pre-installation allows retrofitting of the refrigeration generator¹⁾ to power a cooling unit incorporated in the vehicle.



Parameterizable special module¹⁾. The parameterizable special module (PSM) provides for perfect information processing and a smooth exchange of information between vehicle and body.



Advantages at a glance.

- Superior ride comfort, high body-mounting ability
- Stability Control Assist
- 4-point cab suspension
- Low roll understeer thanks to optimised rear axle guide³⁾
- Direct, responsive steering for high directional stability and low requirement for corrective action on the part of the driver
- Job-matched suspension variants: steel, steel/air or full air suspension for high ride comfort and gentle transportation of loads
- Excellent body connection options and integration of body
- Cost-saving ex factory pre-installation solutions

¹⁾ Optional equipment.

²⁾ Optional equipment from 12 t.

³⁾ For air-suspended Atego up to 10.5 t and 12 t with low frame as well as all Ategos with steel suspension.

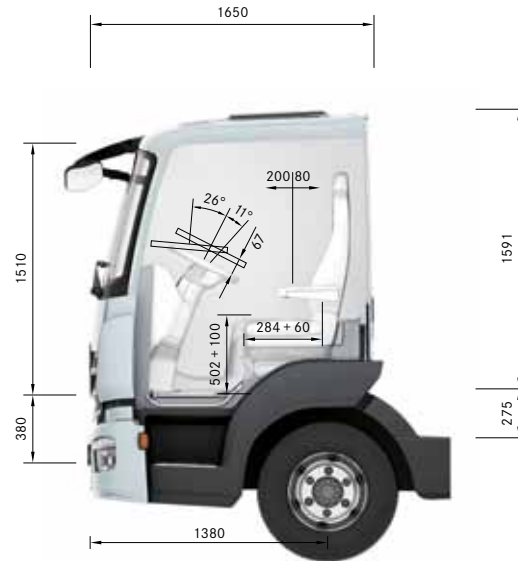


The Atego – cab variants

S-cab

ClassicSpace S-cab

Exterior width: 2295 mm
 Exterior length: 1650 mm
 Interior width: 2000 mm
 Headroom: 1510 mm



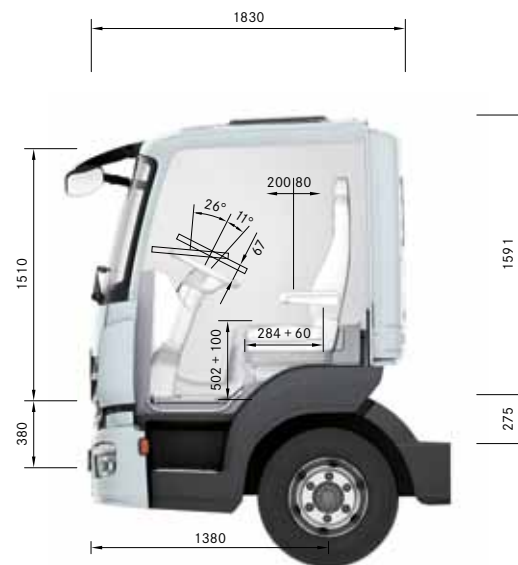
ClassicSpace S-cab



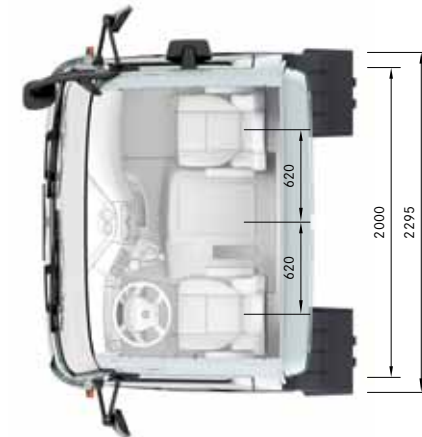
ClassicSpace S-cab

ClassicSpace S-cab, extended

Exterior width: 2295 mm
 Exterior length: 1830 mm
 Interior width: 2000 mm
 Headroom: 1510 mm



ClassicSpace S-cab, extended

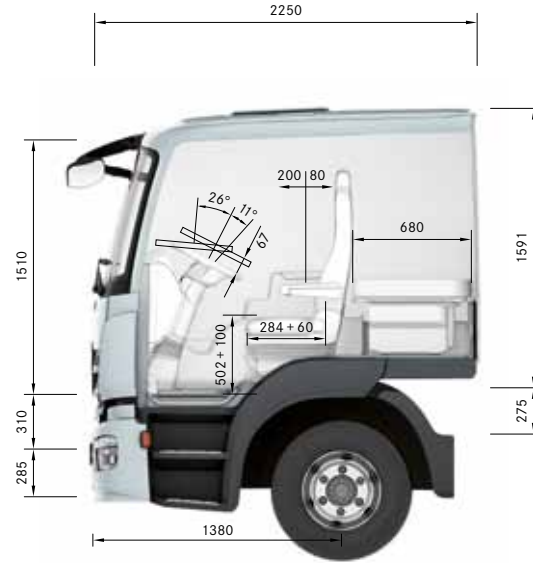


ClassicSpace S-cab, extended

L-cab

ClassicSpace L-cab

Exterior width: 2295 mm
 Exterior length: 2250 mm
 Interior width: 2000 mm
 Headroom: 1510 mm



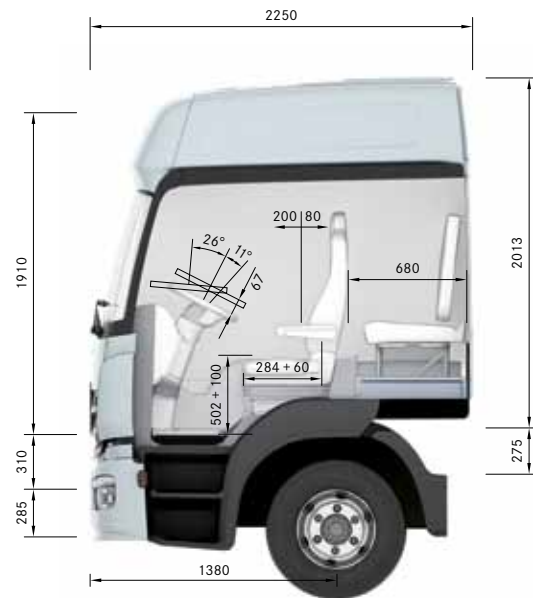
ClassicSpace L-cab



ClassicSpace L-cab

BigSpace L-cab

Exterior width: 2295 mm
 Exterior length: 2250 mm
 Interior width: 2000 mm
 Headroom: 1910 mm



BigSpace L-cab



BigSpace L-cab

Atego model overview									
Nominal Gross Vehicle Weight	6.5	7.49	7.99	9.5	10.5	11.99 ¹⁾	13.5	15	
Wheel configuration	4x2	4x2	4x2	4x2	4x2	4x2	4x2	4x2	4x2
Rear suspension	Steel	Steel	Steel	Steel	Steel	Steel	Steel	Steel	Steel
Engines									
OM 934									
115 kW (156 hp)	x	x	x	x	x	x ²⁾	-	-	-
130 kW (177 hp)	-	x	x	x	x	x	x	x	x
155 kW (211 hp)	-	x	x	x	x	x	x	x	x
170 kW (231 hp)	-	x	x	x	x	x	x	x	x
OM 936									
175 kW (238 hp)	-	-	x	x	x	x	x	x	x
200 kW (272 hp)	-	-	-	-	-	x ³⁾	x	x	x
220 kW (299 hp)	-	-	-	-	-	x ³⁾	x	x	x
Wheelbase									
3020 mm	x	x	x	x	x	-	-	-	-
3320 mm	x	x	x	x	x	-	-	-	-
3560 mm	-	-	-	-	-	x ³⁾	x	x	x
3620 mm	x	x	x	x	x	x ²⁾	-	-	-
4160 mm	-	-	-	-	-	x ³⁾	x	x	x
4220 mm	x	x	x	x	x	x ²⁾	-	-	-
4760 mm	-	-	-	-	-	x ³⁾	x	x	x
4820 mm	-	x	x	x	x	x ²⁾	-	-	-
5360 mm	-	-	-	-	-	x ³⁾	x	x	x
5420 mm	-	-	-	-	-	x ²⁾	-	-	-
5960 mm	-	-	-	-	-	x ³⁾	-	-	-
6260 mm	-	-	-	-	-	x ³⁾	x	-	-
Cab variants									
ClassicSpace S-cab	x	x	x	x	x	x	x	x	x
ClassicSpace S-cab extended	x	x	x	x	x	x	x	x	x
ClassicSpace L-cab	x	x	x	x	x	x	x	x	x
BigSpace L-cab	x	x	x	x	x	x	x	x	x



Heavy-duty distribution made easy. The Antos from 18–44 t.

Handling. The Antos has been specially developed for distribution work from 18 t upwards, in order to meet all your requirements in such fields as grocery and refrigerated transport or in the tanker and dry-bulk haulage sector: A wide choice of cab variants means that the product line-up is able to meet practically any requirement with regard to body length, payload, interior space and the driver's overall view. What's more, the ergonomic driver workplace with its comfortable seats which maintain driver fitness, its multifunction steering wheel and its clearly legible instrument cluster enables simple, precise operation and handling. Mercedes PowerShift 3, responsive Euro VI engines, application-matched transmission and axle combinations as well as the finely tuned chassis make it a pleasure to drive.

Industry-specific vehicle concepts. When it comes to particularly cost-effective transport in sectors where payload and load volume are all-important, the Antos Loader and Volumer have all the answers. The Antos Loader has been systematically designed as a payload-focused vehicle – it is simply built to carry more. Whether it's grain or even gas you need to transport.

The Antos Volumer is the vehicle to beat for load capacity – making it ideal for the particularly efficient transport of goods for the automotive supplier industry, for example, or of “white goods” such as fridges or washing machines.



Perfect handling: time, load and vehicle – all under control.

The Antos has practically everything necessary to make your daily work in the distribution sector from 18 t more pleasant: a comfortable, practical work environment, a dynamic drive system with fast response times and impressive handling performance.

Handling. The ClassicSpace S-cab, ClassicSpace M-cab and CompactSpace M-cab come with the ideal credentials to enable you to meet the ever-growing challenges of day-to-day operation quickly, easily and comfortably. This is because they are systematically geared towards the specific application, allowing them to offer an excellent balance between body length, payload capacity and a comfortable, practical workstation. The standardised width of 2300 mm provides an optimum overall view for the driver, while the low, stair-like entrance takes the strain out of getting in. The comfortable driver's seat and the asymmetrically designed cockpit that is angled towards the driver instantly give you a feeling of complete control. In short: well thought-out ergonomics, intuitive operation as well as handy stowage facilities and compartments that combine to create a harmonious, integrated design that simply makes work easier.

The quick-response dynamic drive system of the Antos is convincing from the very start as well. Working in unison with the Mercedes PowerShift 3 automated gearshift and the application-matched transmissions and rear-axle ratios, the high-torque Euro VI engines are able to deliver a tangible sense of dynamism and economical driving pleasure in virtually any driving situation. Besides this, the direct and responsive steering, the wide frame, the 4-bellows air suspension and the rear-axle guide¹⁾ work together in perfect harmony to produce a particularly assured and solid driving feel. Just as much on a country road as in the city or when manoeuvring. Furthermore, the driver is supported by an extremely diverse array of safety and assistance systems. For noticeably better handling. On every trip.

¹⁾ Only available for 4x2 model variants.



The easy way to get in. The ergonomic, stair-like arrangement of the non-slip steps allows for convenient access to the cab and is just one example of how the Antos makes the driver's task easier.

Instead of compromises: six cab variants that impress – and delight.

Fine-tuned to the requirements of drivers and their companies, with no compromises: the three cabs for the Antos, each of which can be specified with an engine tunnel height of 170 mm or 320 mm, have been honed to perfection to meet the demands of their respective fields of application. So you can benefit from their efficient operation and straightforward handling. From morning to night. On every trip.

ClassicSpace S-cab. Measuring 2300 mm in width and 1700 mm in length, and shown here with a 320 mm engine tunnel, the cab is designed to meet all the requirements associated with one-person operation in the distribution, short-range transport and construction sectors.



ClassicSpace S-cab

ClassicSpace M-cab. Measuring 2300 mm in width and 2000 mm in length, shown here with a 170 mm engine tunnel, the cab is suited to almost every application. The bunk also offers greater comfort, even during one-day runs.



ClassicSpace M-cab

CompactSpace M-cab. The 2300 mm wide cab with 320 mm engine tunnel and flat roof is ideal for applications in which the body extends beyond the level of the roof – as on car transporters or refrigerator trucks, for example.



CompactSpace M-cab

Workplace Antos. The Antos has a practical and comfortable driver's workplace which also serves as an information and command centre at the same time. The optimal cockpit is centred around the driver and is designed for optimum usability in all situations: the main vehicle functions can be controlled conveniently and safely using the multifunction steering wheel. The automated gearshift is operated by means of the right-hand steering-column lever. Similarly, all the other control elements, the radio and the handy stowage facilities are positioned ergonomically within the driver's reach. In short, this is the ideal environment for focused working, relaxed driving and precise operation. Furthermore, the Antos can be matched even more closely to your individual requirements by means of one of the Comfort Packs¹⁾ which are available ex factory.

Multifunction key¹⁾. It offers all the functions of an extended central locking system and allows the tyre pressure and lighting checks to be carried out. It also serves as a remote control for features such as the radio and the auxiliary heating.

Two remote-control keys. Two remote-control keys can prevent delays because of a mislaid key or allow two drivers to access the vehicle independently of each other.

¹⁾ Optional equipment.



Engine start/stop button. One finger is all it takes to start and stop the engine: just press the engine start/stop button – that's all there is to it.

Mirror with manoeuvring function. The co-driver's mirror with manoeuvring function¹⁾ is matched to the requirements of the job and is extremely user-friendly. It makes it easier to view the semitrailer or trailer when it matters most – when manoeuvring the vehicle.



10.4 cm instrument cluster. With its numerous new functions and displays, the on-board computer presents all the key information quickly, comprehensively and clearly.

Leather steering wheel. The optional high-quality 4-spoke leather steering wheel with a diameter of 450 mm contributes to the comfort of the vehicle interior and gives it an individual touch.

CD radio. The combined radio/CD player with a single-line display provides entertainment en route and is easy to operate. It is integrated in the instrument support and designed to run on the vehicle's 24-volt electrical system.



Bluetooth® Radio Navigation System¹⁾. Equipped with a 17.4 cm colour display as well as Bluetooth® and convenience features, the system leaves nothing to be desired when it comes to support for the driver and entertainment.



Instrument cluster with additional displays. The 12.7 cm instrument cluster with TFT colour display offers a comprehensive presentation of all vehicle functions. It boasts glare-free legibility and intuitive operation and is also available with a video function.



Multifunction steering wheel. With eight control buttons on both the right and left, it is possible to control many functions. For example, telephone calls can be answered, assistance systems can be operated and radio settings can be adjusted.



Adjustment range. Thanks to the large adjustment range, the multifunction steering wheel can be set to an almost vertical position. This means convenient entering and exiting and more space during breaks.

Seats. All the seats impress with a high level of comfort. The controls are arranged intuitively, the seat cushions are especially wide and the adjustment range particularly large: lengthwise up to 250 mm, for height up to 120 mm.

Driver's suspension seat, standard. The air-suspended seat features a high level of seating comfort, numerous adjustment options and a flat-weave fabric cover.

Fold-up co-driver's seat²⁾. The spacious, 540 mm-wide seat cushion can be folded up manually and locked in position. In this way, the driver has more space during breaks as well as convenient through-cab access to the co-driver's door.

Air-conditioned suspension seat. The optional, air-suspended, climatized driver's suspension seat provides pleasant seating conditions and a high level of comfort. The integral armrests and the seat heating also contribute to this. The active ventilation system in the backrest and cushion of the climatized suspension seat reduces heat and moisture build-up. The numerous individual adjustment options make for optimal ergonomics.

Centre seat³⁾. Thanks to the additional seat between the driver's workplace and the co-driver's seat, more people can be carried in the vehicle. It has an adjustable backrest as well as an integral head restraint and an integral 3-point seat belt. The centre seat with seatbelt is fitted on the engine tunnel.

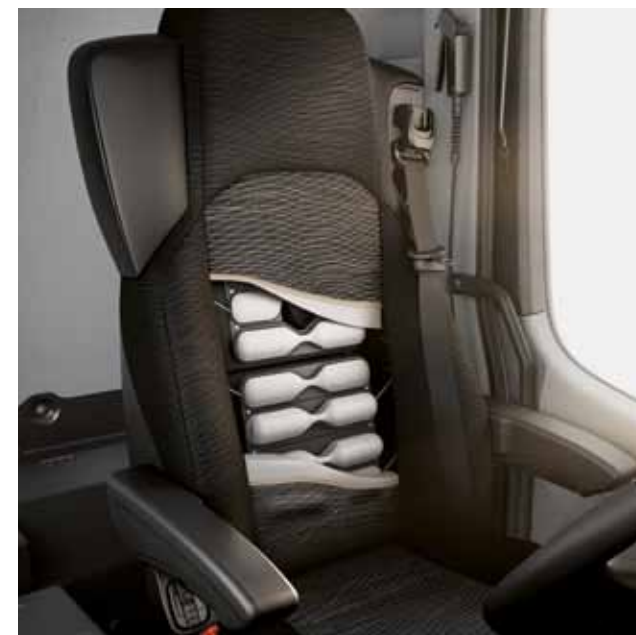
¹⁾ Optional equipment.

²⁾ Deselectable standard item for certain Loader models.

³⁾ Available for the ClassicSpace S-cab and M-cab.



Comfort suspension seat. The optionally available upgraded air-sprung seat is individually adjustable and offers excellent ergonomic conditions and ample comfort. The integrated seat heating contributes to this comfort. The comfort suspension seat is equipped with pneumatic height adjustment, seat cushion angle and depth adjustment and an integrated headrest with integrated, height-adjustable 3-point automatic seat belt.



Massage function for driver's seat¹⁾. The massage function prevents the driver from suffering from muscular tension problems, so their comfort is maintained for longer.

Handy stowage facilities for everything. As well as keeping the cab tidy and easy to manage, the stowage concept in the Antos can be adjusted to meet the individual driver's requirements. From the large shelf on the instrument support to the stowage facilities in the cockpit and in the door lining as well as the low or high stowage facility on the engine tunnel, not forgetting the options of enclosed stowage box with an integral litter bin, a stowage pocket for the rear wall and a CD holder for up to 6 CDs – all the stowage facilities in the Antos are optimised for the items to be accommodated. The coat hooks mean you always have somewhere to hang up your jacket.

Stowage space behind the seats. With a capacity of 230 litres, the stowage compartments behind the seats of the M-cabs offer plenty of space. Especially practical: the stowage compartment on the driver's side is accessible from the interior and the exterior.

Hot-water auxiliary heating. The warm water auxiliary heater heats the cab even in severe winter temperatures so as to enable a pleasantly warm interior during breaks from driving. The heating system is fitted (vibration-free) in the engine compartment. This reduces the noise level and creates more space in the cab. The heater allows the windows to be defrosted before the start of the journey.

Bottom bunk¹⁾. The bottom bunk provides a high level of comfort when resting or sleeping, whether in the course of all-day trips or overnight stops. The bunk can be fully folded and locked at an angle of 90°. To dim the cab, a curtain can be drawn across the windscreen and the side windows.



Door compartment. The stowage bins in the interior door trim offer space for items such as work gloves which should be kept within easy reach without having to climb into the cab. Each one also incorporates a bottle holder large enough for a 1.5 l bottle.



Table, on co-driver's side²⁾. The optional folding table is integrated in the instrument support and can be folded out and in again quickly for working or eating.



Heating, ventilation, climate. The Antos is equipped with a fast-acting air-controlled heating system. For even greater ease of use and comfort, an air conditioning system or an automatic climate control system can be specified. What's more, the residual engine heat utilisation system or various versions of the hot-water auxiliary heating system can maintain a pleasantly warm temperature during breaks, for example.



Exterior stowage compartment. Also accessible from the interior, the exterior stowage compartment on the driver's side of the M-cab is able to hold tools and other items essential in the course of heavy-duty distribution work.



Refrigerator on engine tunnel². The coolbox provides the driver with cold drinks and food. It can be reached easily from the driver's seat and makes the driver less dependent on service areas.



Storage flaps above windscreen. The flaps prevent objects from falling out of the stowage compartments and protect the contents from prying eyes.



Advantages at a glance.

- Excellent handling thanks to ergonomically designed driver workplace
- Intuitively controllable multifunction steering wheel with large adjustment range
- Clearly legible instrument cluster with 10.4 cm or 12.7 cm TFT colour display
- Comprehensive range of comfortable seats with particularly large cushion area and scope for adjustment
- Extensive radio and multimedia range including truck navigation
- Air-controlled heating and ventilation system with residual engine heat utilisation, air conditioning² or automatic climate control system², hot-water auxiliary heating² for engine and cab³
- Extensive stowage concept with plenty of handy stowage features that are within easy reach of the driver's seat
- Additional equipment:
e. g. coolbox with approx. 25 l capacity, folding table on co-driver's side, centre seat, comfortable bunk in M-cab
- Comfort Pack

¹) Available as special equipment for vehicles with M-cab.

²) Optional equipment.

³) Only for cabs with 170 mm engine tunnel.



Responsive, precise, efficient. When it comes to drive power, we've really shifted up a gear.

Euro VI engines with up to **460 kW** (625 hp) output, Mercedes PowerShift 3 and a wide selection of precision-matched transmission and axle combinations – you can feel how the inner strength of the Antos is transferred responsively, precisely and efficiently to the road. Prepare to be thrilled.

Antos drive system. The efficient, high-torque 6-cylinder in-line engines operate with X-Pulse common-rail high-pressure injection¹⁾ and an injection pressure of up to 2100 bar. This saves fuel and reduces the burden on the environment. A further reduction in consumption is now also available courtesy of the 2nd generation of the 10.7 l OM 470 engine and the 12.8 l OM 471 engine. The durable, reliable design, the excellent responsiveness and the very smooth running characteristics are further advantages of the Euro VI engines used in the Antos. In conjunction with the Mercedes PowerShift 3 automated gearshift, the drive axles which are matched perfectly to it and the wide range of ratio variants, the Antos offers a dynamic, responsive drive configuration for practically every heavy-duty distribution task imaginable. Plus, of course, loads of driving pleasure.

Mercedes PowerShift 3 Superior dynamic response, simple handling and low fuel consumption: the automated transmission ensures precise gear selection, short shift times, high driving comfort and optimal economy.

fleet driving program. The fuel-saving variant of the Mercedes PowerShift automated transmission was developed for fleet customers.

Economy driving program. This driving program can be activated selectively and supports a particularly economical driving style. It is a functional addition to the “standard” transmission mode.

Power driving program²⁾. This driving mode supports an agile mode of driving in difficult topography. In “power” transmission mode the engine speed is increased by 100 rpm for all shift operations in comparison to “standard” mode. This means that the full engine power output is available for longer.



Antos engines. With a total of 18 power ratings from **175 kW** (238 hp) up to **460 kW** (625 hp), the Antos boasts a wide range of high-torque Euro VI engines which stand out with their noticeably dynamic feel and low fuel consumption.

Additional functions. With Mercedes PowerShift 3, additional functions, such as direct shifting from “forward” to “reverse” as well as high-ratio reverse gears make for easy manoeuvring. The crawler function is particularly convenient when moving off.



Information centre. The current transmission mode and selected gear are displayed in the instrument cluster at all times – the selectable transmission modes and auxiliary functions further enhance usability and efficiency.



Antos transmissions. The Antos offers the right automatic transmission for practically every transport job. Along with a range of four 12-speed transmissions and a 16-speed unit, the line-up also includes a compact 8-speed transmission.

Driving program	fleet		power	
	economy			
	economy	standard	manual	power
Transmission mode	No kickdown possible	Kickdown possible	No kickdown possible	Kickdown possible
	EcoRoll cannot be deactivated	EcoRoll can be deactivated	EcoRoll can be deactivated	EcoRoll deactivated
	Top speed ⁴⁾ 85 km/h	Top speed 89.8 km/h	Top speed 89.8 km/h	Top speed 89.8 km/h

Antos driving programs. When you purchase the Antos, you can choose one of the three driving programs fleet, economy or power. Different transmission modes enhance driving comfort and efficiency.

¹⁾ X-Pulse is not available with the OM 936 engine.

²⁾ Alternative at no extra cost.

³⁾ 8-speed transmission only in conjunction with the OM 936 engine.

⁴⁾ Top speed of 89.8 km/h possible using the accelerator.



Advantages at a glance.

- Dynamic drive with responsive engines and perfectly matched powertrain configurations
- Low-consumption 6-cylinder in-line engines with X-Pulse¹⁾ common-rail high-pressure injection
- Four displacement classes: 7.7 l, 10.7 l, 12.8 l, 15.6 l
- Comprehensive range of Euro VI engines with 18 power ratings from 175 kW (238 hp) up to 460 kW (625 hp)³⁾
- Mercedes PowerShift 3 automated gearshift with individually selectable driving programs as well as driving modes and additional functions which can be selected as required
- Automated transmission conveniently operated via the steering-column lever
- Six different, application-matched transmission variants with 8³⁾, 12 and 16 speeds
- Two weight-optimised hypoid rear axles designed to suit the end application with a comprehensive choice of ratio variants



For a superior driving feel. From the first metre to the last.

In the Antos, the frame, chassis, suspension and steering work together in perfect harmony. For easy, precise handling when driving and manoeuvring. And for an unrivalled experience at the wheel.

Antos handling. The Antos has particularly good roadholding and provides a superior, safe driving feel. Factors contributing to this include the wide, rigid frame, the 4-bellows air suspension, the innovative rear-axle guide¹⁾ and the direct, responsive steering.



Precise steering. The direct and particularly sensitive steering has speed-sensitive power assistance. This makes manoeuvring particularly straightforward, effortless and safe. And at high speeds the system supports reliable straight-ahead running and the best possible directional stability. A high level of steering accuracy and very good understeer/oversteer characteristics are further advantages which contribute to more safety and outstanding capability.

Innovative rear axle guide. The innovative rear-axle guide¹⁾ makes for high lateral stability, low body roll, excellent understeer/oversteer characteristics and necessitates fewer steering corrections.



Air suspension. Mounted on the far outside, the bellows on the 4-bellows air suspension work in conjunction with the innovative rear-axle guide¹⁾ to provide an optimum roll response and minimise the roll angle when cornering.



Antos frame. Besides its excellent roadholding and supreme driving qualities, the Antos frame also offers outstanding corrosion protection – thanks to cathodic dip priming – and straightforward body mounting. Further benefits include the wide selection of wheelbases, factory-fitted frame overhangs and end cross members.



Advantages at a glance.

- Perfectly harmonised chassis components for a tremendously assured and superior driving feel
- Optimised rear axle guide¹⁾ for high lateral stability and good understeer/oversteer characteristics
- 4-bellows air suspension system for impressive suspension comfort, cargo protection and reduced roll characteristics
- Direct steering with sensitive response for high steering precision
- Variable power assistance depending on the road speed
- Short wheelbases for high manoeuvrability
- Wide, rigid frame and therefore a wide track for excellent roadholding
- Comprehensive line-up of wheelbases, selectable frame overhangs and end cross members

¹⁾ Only available for 4x2 model variants.





Simply more capacity: Antos Loader and Antos Volumer.

If you are looking for extra payload capacity or load space; we have the answer: the Antos Loader and the Antos Volumer – two real specialists that are simply built to carry more.

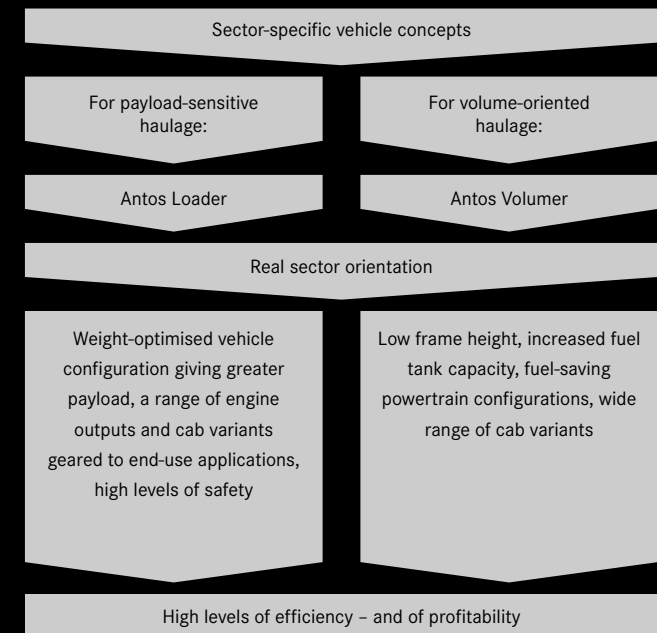
Sector-specific vehicle concepts. The Antos is the particularly efficient solution in the distribution sector from 18 t. And so that the same can be said for high-payload and high-volume haulage too, we have developed the Antos Loader and the Antos Volumer. Because specialised tasks call for specialised tools – or rather, specialised vehicles.

The Antos Loader payload-optimised platform trucks and tractor units are among the lightest in the heavy-duty short-radius distribution sector. With high-performance, economical Euro VI engines coupled with cabs that are matched to the jobs they have to do – without making any compromises in terms of safety.

The Antos Volumer also makes it possible to operate even more efficiently. The rigids boast a low frame height and the tractor units stand out with their low coupling point height, making them real high-volume haulage specialists. In practice,

this means the load area can be put to optimum use. In addition to the high load capacity, powertrain configurations which are particularly economical with fuel and the large fuel tank capacity on the Antos Volumer, for instance, all contribute to greater efficiency too.

This means with the Antos Loader and the Antos Volumer, Mercedes-Benz is able to offer you vehicle configurations which are optimised for their task and which simply allow you to operate more profitably wherever there is a requirement for high-payload and high-volume haulage.



The Antos Loader: for those who want more payload.

Less tare weight, more payload – from the radiator grille to the end cross-member. The Antos Loader was designed specifically for the requirements in industries with high payload needs. That’s why it is among the lightest vehicles in long-distance transport. Regardless of whether as a tractor unit or a rigid truck. The Antos Loader can simply carry more load. And that pays off. On every trip.

Loader. These are payload-optimised rigid vehicles and tractor units which, despite the heavy Euro VI technology, weigh in at about 6000 kg, depending on the equipment fitted. This is made possible by weight-reducing measures which enable you to carry more payload. The Antos Loader, for example, in the form of a tractor unit, has a ClassicSpace S-cab, a 320 mm high engine tunnel, a displacement of 7.7 l and an output of **235 kW** (320 hp)¹⁾. Furthermore, it has a 12-speed direct-drive Mercedes PowerShift 3 transmission as well as super-wide tyres^{2) 3)} on aluminium rims. The Antos Loader can also be specified with engines from the 10.7 l displacement class²⁾, available in five power bands with up to **335 kW** (455 hp). Like all Antos models, the Loader can be specified with the full range of available safety systems.

1	Roof hatch omitted	6	Weight-optimised windscreen
2	Weight-optimised end cross member ⁴⁾	7	Rear axle guide, weight-optimised (wishbone, enclosed) ⁴⁾
3	Combination tank (300 l diesel and 25 l AdBlue [®]) ⁴⁾	8	Aluminium step brackets
4	140 Ah batteries	9	Weight-optimised floor covering
5	Dust undershield omitted	10	Radiator shutter omitted with 170 mm engine tunnel

■ Deselectable items ■ Non-deselectable items

Weight-reducing measures. Many components and features of the Antos Loader have been systematically designed for use in sectors where payload is a crucial factor. To give you maximum flexibility in configuring the vehicle some measures can also be “deselected”. In short: you decide for yourself whether you wish to fully exploit the payload potential of the Loader and minimise its unladen weight.

The Antos Volumer: for anyone needing lots of space.

Huge transportation capacity, fuel-saving powertrain configurations, a high operating range and perfectly tailored to the intended application – the Antos Volumer shows how rigid trucks and tractor units should be built today to make high-volume haulage especially profitable.



Volumer details. With its low frame/coupling point height, the Antos Volumer comes with the ideal credentials for economical high-volume haulage. The low frame, the comprehensive range of wheelbases, the choice of frame overhangs available ex factory and the application-matched powertrain configurations all help to give an additional boost to efficiency.

Volumer. As a true high-volume haulage specialist, the Antos Volumer as a platform truck offers the ability to stack three standard crates on top of each other. A wide range of tanks is available for an enormous operating range and a high level of task orientation. The mission-optimised powertrain configurations also ensure exemplary efficiency. The wide range of rear-axle ratios available means that the Antos Volumer can always be fitted with a direct-drive transmission⁵⁾. This saves up to 1% fuel compared with an overdrive transmission. In short, the Antos Volumer unites three decisive strengths in one vehicle: huge transportation capacity, flexible configuration and exceptional efficiency.

¹⁾ For rigids from **175 kW** (238 hp).

²⁾ Optional equipment.

³⁾ In conjunction with the tyre pressure monitoring system.

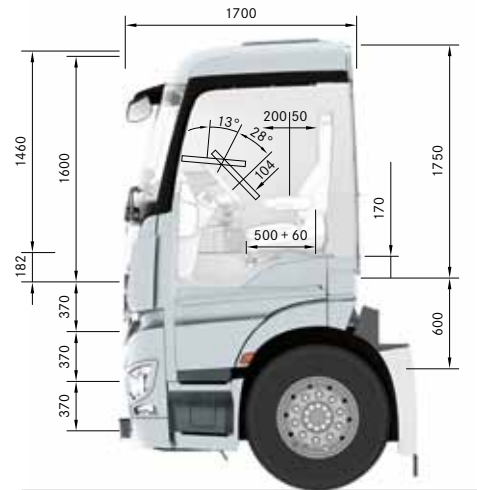
⁴⁾ For 4x2 tractor units.

⁵⁾ Not in conjunction with 6x2LnR low frame and **375 kW** (510 hp) or **390 kW** (530 hp).

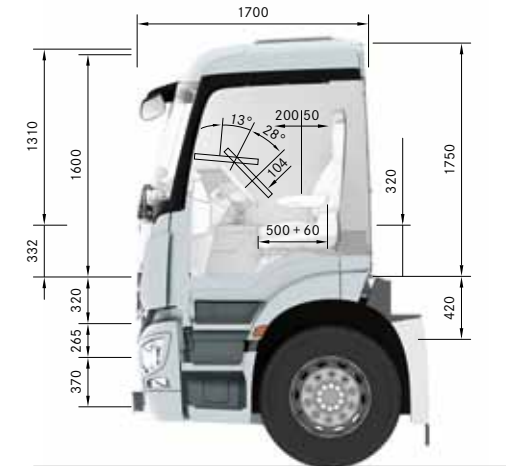
The Antos – cab variants

Antos cab variants. With six variants, the Antos is able to offer just the right cab to enable efficient working and easy handling in the distribution sector from 18 t. If the full body length is required, the ClassicSpace S-cab is the top choice. The ClassicSpace M-cab is suited to longer, full-day runs, for example, while the CompactSpace M-cab makes an ideal car transporter. A good overall view and high payload capacity are common to all.

ClassicSpace S-cab



Engine tunnel: 170 mm
Headroom over engine tunnel: 1460 mm



Engine tunnel: 320 mm
Headroom over engine tunnel: 1310 mm

General technical data

Exterior width of all cabs:	2300 mm
Exterior length	
ClassicSpace S-cab:	1700 mm
ClassicSpace and CompactSpace M-cab:	2000 mm
Headroom in front of seats	
ClassicSpace S-cab:	1600 mm
ClassicSpace M-cab:	1600 mm
CompactSpace M-cab:	1400 mm



Variant with centre seat

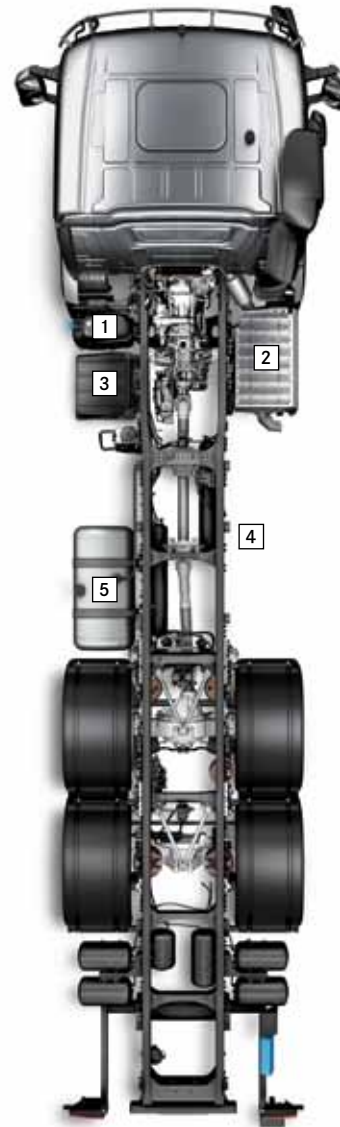
The Antos – tank variants

Antos tank variants. Flexible combination options: within the same tank cross-section, different tank volumes can be combined on the left- and right-hand sides. This applies to diesel and AdBlue® tanks as well as to combination tanks. The illustrations show two possible variants for a rigid vehicle and tractor unit respectively.



Modular system – tanks. So that it can be geared exactly to the operating profile, the new Antos can be equipped with tanks of varying heights and widths.

Example tank variant for Antos rigid vehicle



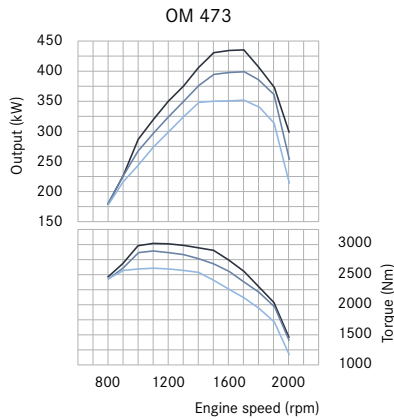
- 1 AdBlue® 60 l
- 2 Exhaust gas aftertreatment system
- 3 Battery
- 4 Installation space e.g. for attachments
- 5 Tank narrow/low 390 l

Example tank variant for Antos tractor unit



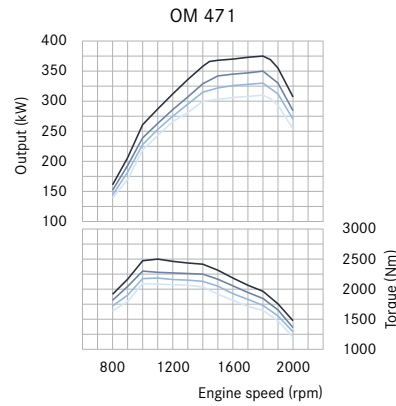
- 1 AdBlue® 60 l
- 2 Exhaust gas aftertreatment system
- 3 Space e.g. for second tank
- 4 Tank narrow/high 390 l
- 5 Space e.g. for hydraulic fluid tank

The Antos – engine performance data



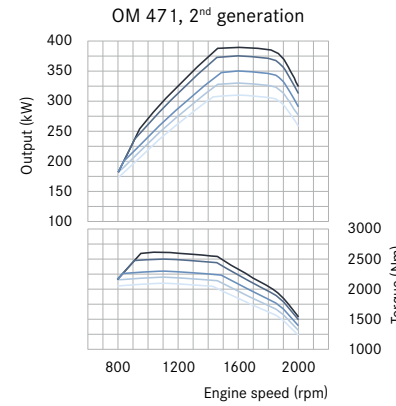
6-cylinder in-line, 15.6 l displacement

kW (hp)	Nm
at 1600 rpm	at 1100 rpm
380 (517)	2600
425 (578)	2800
460 (625)	3000



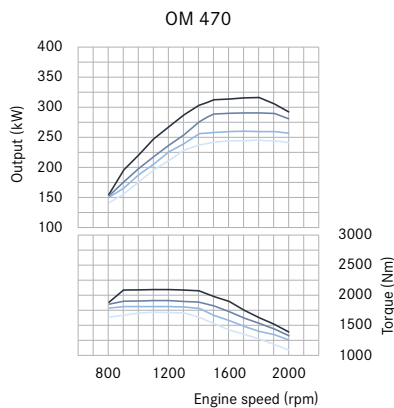
6-cylinder in-line, 12.8 l displacement

kW (hp)	Nm
at 1800 rpm	at 1100 rpm
310 (421)	2100
330 (449)	2200
350 (476)	2300
375 (510)	2500



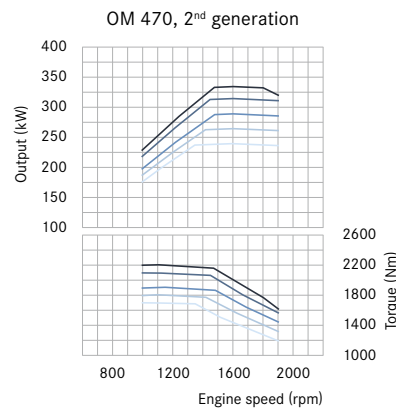
6-cylinder in-line, 12.8 l displacement

kW (hp)	Nm
at 1600 rpm	at 1100 rpm
310 (421)	2100
330 (449)	2200
350 (476)	2300
375 (510)	2500
390 (530)	2600



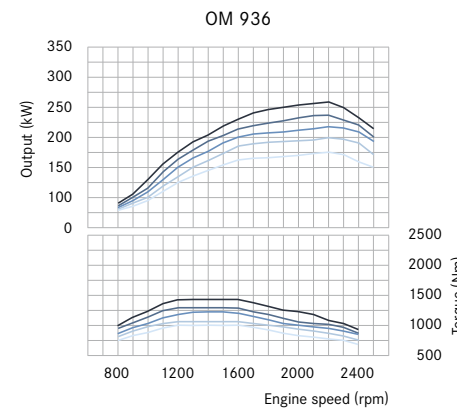
6-cylinder in-line, 10.7 l displacement

kW (hp)	Nm
at 1800 rpm	at 1100 rpm
240 (326)	1700
265 (360)	1800
290 (394)	1900
315 (428)	2100



6-cylinder in-line, 10.7 l displacement

kW (hp)	Nm
at 1600 rpm	at 1100 rpm
240 (326)	1700
265 (360)	1800
290 (394)	1900
315 (428)	2100
335 (455)	2200



6-cylinder in-line, 7.7 l displacement

kW (hp)	Nm
at 2200 rpm	at 1200-1600 rpm
175 (238)	1000
200 (272)	1100
220 (299)	1200
235 (320)	1300
260 (354)	1400

The Antos Euro VI engines: sustainable technology, up to **460 kW** (625 hp) of power and peak torque of 3000 Nm.

Antos rigids – model overview								
Nominal Gross Vehicle Weight	18	18 (Volumer) ¹⁾	20	25 ²⁾	25 (Volumer) ¹⁾	26	26	33
Wheel configuration	4x2	4x2	4x2	6x2 single trailing axle	6x2 single trailing axle	6x4	6x2 double trailing axle	6x4
Rear suspension	Air	Air	Air	Air	Air	Air	Air	Air
Engines								
OM 936								
175 kW (238 hp)	x	x	x	x	–	x	x	–
200 kW (272 hp)	x	x	x	x	x	x	x	–
220 kW (299 hp)	x	x	x	x	x	x	x	–
235 kW (320 hp)	x	x	x	x	x	x	x	–
260 kW (354 hp)	x	x	x	x	x	x	x	–
OM 470								
240 kW (326 hp)	x	x	x	x	x	x	x	x
265 kW (360 hp)	x	x	x	x	x	x	x	x
290 kW (394 hp)	x	x	x	x	x	x	x	x
315 kW (428 hp)	x	x	x	x	x	x	x	x
335 kW (455 hp)	x	x	x	x	x	x	x	x
OM 471								
310 kW (421 hp)	x	x	x	x	x	x	x	x
330 kW (449 hp)	x	x	x	x	x	x	x	x
350 kW (476 hp)	x	x	x	x	x	x	x	x
375 kW (510 hp)	x	–	x	x	x	x	x	x
390 kW (530 hp)	x	–	x	x	x	x	x	x
Wheelbase								
3700 mm	x ³⁾	–	x	–	–	x	–	x
4000 mm	x ³⁾	–	x	x ³⁾	x	x	x	x
4300 mm	x ³⁾	–	x	x ³⁾	x	x	x	x
4600 mm	x ³⁾	–	x	x ³⁾	x	x	x	x
4900 mm	x ³⁾	x	x	x ³⁾	x	x	x	x
5200 mm	x ³⁾	–	x	x ³⁾	x	x	x	x
5500 mm	x ³⁾	x ⁵⁾	x	x ³⁾	x	x	x	x
5800 mm	x ³⁾	x ⁵⁾	x	x ³⁾	x	x	x	x
6100 mm	x ³⁾	–	x	x ³⁾	–	–	x	–
6400 mm	x ³⁾	–	x	–	–	–	–	–
6700 mm	x ³⁾	x	x	–	–	–	–	–
Cab variants								
ClassicSpace S-cab, 170 mm tunnel	x ⁴⁾	x	x	x ⁴⁾	x	x	x	x
ClassicSpace S-cab, 320 mm tunnel ⁶⁾	x	x	x	x	x	x	x	x
ClassicSpace M-cab, 170 mm tunnel	x ⁴⁾	x	x	x ⁴⁾	x	x	x	x
ClassicSpace M-cab, 320 mm tunnel	x	x	x	x	x	x	x	x
CompactSpace M-cab, 170 mm tunnel	x ⁴⁾	x	x	x ⁴⁾	x	x	x	x
CompactSpace M-cab, 320 mm tunnel	x	x	x	x	x	x	x	x

Antos tractor units – model overview									
Nominal Gross Vehicle Weight	18/20 ⁴⁾	18 (Volumer) ¹⁾	24	25	25	26	26	33	
Wheel configuration	4x2	4x2	6x2/2	6x2 single trailing axle	6x2/2 ⁷⁾ 9)	6x4	6x2 double trailing axle	6x4	
Rear suspension	Air	Air	Air	Air	Air	Air	Air	Air	
Engines									
OM 936									
175 kW (238 hp)	x	x	x	x	x	x	x	-	
200 kW (272 hp)	x	x	x	x	x	x	x	-	
220 kW (299 hp)	x	x	x	x	x	x	x	-	
235 kW (320 hp)	x	x	x	x	x	x	x	-	
260 kW (354 hp)	x	x	x	x	x	x	x	-	
OM 470									
240 kW (326 hp)	x	x	x	x	x	x	x	x	
265 kW (360 hp)	x	x	x	x	x	x	x	x	
290 kW (394 hp)	x	x	x	x	x	x	x	x	
315 kW (428 hp)	x	x	x	x	x	x	x	x	
335 kW (455 hp)	x	x	x	x	x	x	x	x	
OM 471									
310 kW (421 hp)	x	x	x	x	x	x	x	x	
330 kW (449 hp)	x	x	x	x	x	x	x	x	
350 kW (476 hp)	x	x	x	x	x	x	x	x	
375 kW (510 hp)	x	-	x	x	x	x	x	x	
390 kW (530 hp)	x	-	x	x	x	x	x	x	
Wheelbase									
2650 mm	-	-	-	-	x ⁷⁾	-	-	-	
2990 mm	-	-	x ⁷⁾	-	-	-	-	-	
3250 mm	-	-	-	x	-	x	x	x	
3400 mm	-	-	-	x	-	x	x	x	
3550 mm	x ⁷⁾	-	-	x	-	x	x	x	
3700 mm	x ⁷⁾ 8)	x	-	-	-	-	-	-	
3850 mm	x ⁷⁾	-	-	-	-	-	-	-	
4000 mm	x ⁷⁾	-	-	-	-	x	-	x	
Cab variants									
ClassicSpace S-cab, 170 mm tunnel	x ⁴⁾	x	x ⁴⁾	x	x ⁴⁾	x	x	x	
ClassicSpace S-cab, 320 mm mm ⁶⁾	x	x	x	x	x	x	x	x	
ClassicSpace M-cab, 170 mm tunnel	x ⁴⁾	x	x ⁴⁾	x	x ⁴⁾	x	x	x	
ClassicSpace M-cab, 320 mm tunnel	x	x	x	x	x	x	x	x	
CompactSpace M-cab, 170 mm tunnel	x ⁴⁾	x	x ⁴⁾	x	x ⁴⁾	x	x	x	
CompactSpace M-cab, 320 mm tunnel	x	-	x	x	x	x	x	x	

x Available - Not available ¹⁾ Front axle also with air suspension. ²⁾ Also as 6x2/4 with wheelbases from 3550 to 4150 mm. ³⁾ Also as Antos Loader with **175 kW** (238 hp) to **315 kW** (428 hp). ⁴⁾ Not for Antos Loader.
⁵⁾ Also as air-sprung, low-frame vehicle (car transporter) from **240 kW** (326 hp) to **350 kW** (476 hp). Greater attachment height for vehicles with **310 kW** (421 hp) to **350 kW** (476 hp) (OM 471). ⁶⁾ Standard for OM 936 and OM 470, from OM 471 ClassicSpace S-cab with 170 mm tunnel is standard. ⁷⁾ Also as Antos Loader with **235 kW** (320 hp) to **315 kW** (428 hp). ⁸⁾ Up to **350 kW** (476 hp). ⁹⁾ Also as 6x2/4 (not as Antos Loader).



Comprehensive solutions for greater transport efficiency.

These days, particularly low overall costs and rising earnings can no longer be achieved just by having economical and reliable vehicles. Operating safely is also a decisive factor for high transport efficiency. Along with services which increase vehicle availability even further. From day one. And throughout the entire period of use.

Comprehensive transport efficiency. There are plenty of ways to operate even more efficiently. By reducing vehicle-related costs such as acquisition, fuel consumption, maintenance and repairs, Mercedes-Benz contributes to making even better use of your vehicle's vast potential for boosting profitability: with innovative vehicle technology and services tailored perfectly to individual needs. The following pages will give you a detailed overview of the levers we are able to offer you for achieving even more economy with regard to vehicle-related costs. And you can also make savings on the road: in addition, FleetBoard supports optimised vehicle capacity utilisation and helps reduce personnel and administration costs. Just take a look for yourself!



High overall economy. The combination of efficient, reliable vehicle technology, leading safety technologies and services makes it possible to reduce overall costs and therefore to increase earnings. Every mile of the way.

We do everything. To ensure particularly low overall costs.

Low costs. Right from the outset and throughout the vehicle's entire useful life. Through vehicles with innovative technology and with services which you can select when you place your order – and which pay right from day one. Because they are precisely tailored to your distribution requirements. Because the right investment is the best investment.

Distribution vehicles. A good investment must meet all your requirements. Like the Atego and the Antos in the light and heavy distribution sectors respectively. With their innovative vehicle technology and excellent body-mounting ability, they are ideally placed to enable you to operate particularly cost-effectively. From the economical Euro VI engines which are available with outputs from **115 kW** (156 hp) to **220 kW** (299 hp) for the Atego and from **175 kW** (238 hp) to **460 kW** (625 hp) for the Antos. From the finely matched drivetrain configurations to the sophisticated aerodynamics. For applications where a high payload or large load capacity are the decisive factors we have developed the Antos Loader and Antos Volumer. See pages 38–41 for further information.



Application Information Centre (BIC). The Application Information Centre in Würth offers a permanent display of around 180 industry-specific complete vehicles with body solutions from over 70 manufacturers. All the vehicles and body solutions can be test-driven, demonstrated, tried out and directly compared with each other in real-life conditions so that the optimal transport solution can be found quickly and easily. We also offer sector-specific events with driving experiences.

Mercedes-Benz Custom Tailored Trucks. Made-to-measure body building. Mercedes-Benz Custom Tailored Trucks broadens our diverse portfolio of trucks and caters to your special requirements with top Mercedes-Benz quality. CTT offers a fully comprehensive scope of services, from in-depth advice to establish the appropriate conversion through construction, simulation and testing to delivery of the finished vehicle. CTT teams up with selected partners to meet customers' individual requirements, such as complex axle modifications, chassis modifications for special-purpose bodies or the relocation of components. In short, Mercedes-Benz Custom Tailored Trucks offers you the precise solution to meet your operational needs, ensuring the economic efficiency of your operations.



Advantages at a glance.

- Application-matched vehicles for light and heavy distribution work
- Complete Euro VI engine range.
Atego: two displacement classes, seven power variants from 115 kW (156 hp) to 220 kW (299 hp).
Antos: four displacement classes, 18 power variants from 175 kW (238 hp) to 460 kW (625 hp)
- Sector-specific vehicle concepts – Antos Loader and Antos Volumer
- Application Information Centre in Würth with approx. 180 practical, sector-specific solutions providing hands-on access, to test, compare and test-drive. Sector-specific events with driving experiences
- Mercedes-Benz Custom Tailored Trucks for custom bodies and conversions

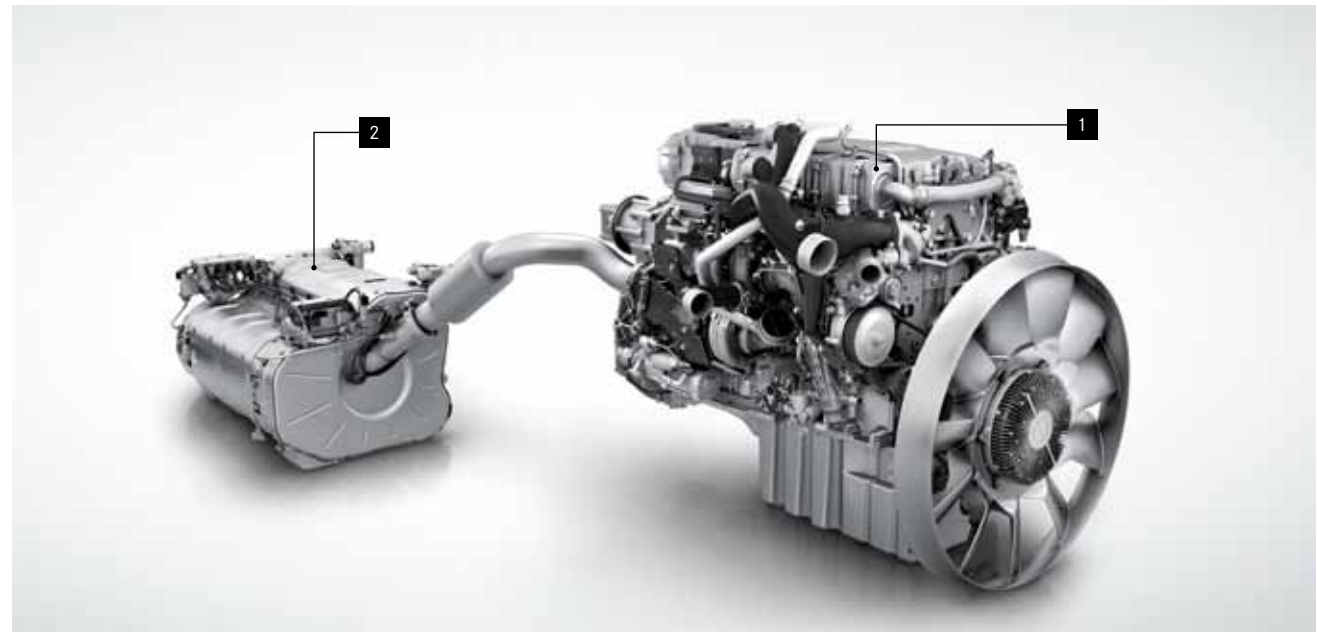


Our tip for low fuel consumption costs: Top technology, top services and a top driving style.

In the Antos and Atego you have vehicles which use fuel extremely efficiently. What's more: through the combination of vehicle technology and services, such as our driver training, further significant reductions in fuel costs are possible. An accomplished driver can make a good truck even better.

Engines with reduced fuel consumption. For particularly efficient distribution operations, the 4 and 6-cylinder in-line engines used in the Atego achieve fuel savings of up to 5%¹⁾ compared with the predecessor model. In the Antos, the X-Pulse²⁾ common-rail high-pressure injection system is one of the factors which helps to operate particularly efficiently. AdBlue[®] injection without compressed air and cooled exhaust gas recirculation help to make further fuel savings. The bottom line here is that these vehicles are ideally placed to enable you to operate particularly economically in the short-radius distribution sector. And lower fuel consumption also means considerably lower CO₂ emissions as well as reduced particulate and nitrogen oxide emissions.

High Performance Engine Brake³⁾. A higher-power three-stage, wear-free auxiliary brake offering up to **475 kW** of brake power⁴⁾ is available for even greater safety.



Antos Euro VI emissions technology. 1. Reduced nitrogen oxide production during fuel combustion thanks to cooled exhaust-gas recirculation 2. The exhaust system for the Euro VI engines is equipped with a highly efficient diesel particulate filter. An optimised volume control unit injects AdBlue[®] into the exhaust gas flow without air. The nitrogen oxides are completely converted into water and nitrogen in the SCR catalytic converter.

Axles, transmissions, ancillaries. A wide choice of rear axle ratios and transmissions matched to various operating profiles also plays a role in keeping fuel consumption low. What's more, short shift times and the "economy" or "fleet"⁵⁾ driving programs also support an economical driving style. Economical ancillary consumers, such as the on-demand compressed-air control system and the power steering pump also contribute to low fuel consumption.

Low drag and rolling resistance. The design of the Atego and Antos has been optimised right down to the smallest detail in order to reduce wind resistance. From the bumper through the corner panels to the roof – everything contrib-



Sophisticated aerodynamics. When designing the Antos, we tested every individual part extensively. In the wind tunnel and over many millions of test kilometres – for extremely low wind resistance and low fuel consumption.

utes to reduced drag and so to lower fuel consumption. Aerodynamic detachable body parts also play a role in cutting consumption. Along with the tyre pressure monitoring system, super-wide single tyres⁶⁾ are available on the drive axle to reduce rolling resistance and fuel consumption, too.

New: 2nd-generation Euro VI engines: OM 470 and OM 471. With the thoroughly revised 10.7 l and 12.8 l units, the range now features two more fuel-saving engines, each of which is available in five power output ratings. In addition to the X-Pulse enhanced common-rail high-pressure injection technology with an injection pressure of up to 2700 bar, the asymmetrical turbocharger and optimised exhaust gas recir-



Tyre pressure monitoring system⁷⁾. Wireless pressure monitoring permanently monitors the tyre pressure and shows the specified pressure required for the tyre temperature on the basis of the outside temperature.

ulation, new piston geometry and the optimised cooling system also contribute to the fuel savings. The substantially increased maximum torque additionally enables the use of a long rear-axle ratio which, together with Predictive PowertrainControl⁵⁾, contributes to the low fuel consumption. In conjunction with the optimised powertrain and the ancillary consumers, this results in fuel savings of up to 3% in comparison to the previous model.



Advantages at a glance.

- Low consumption as a result of: economical, efficient engines, short shift times and the "economy" and "fleet" driving programs designed to reduce fuel consumption
- Application-matched rear-axle ratios and transmissions
- Fuel-efficient auxiliary consumers
- Sophisticated aerodynamics
- Tyre pressure monitoring system⁷⁾

¹⁾ Fuel savings are slightly less in urban traffic than on inter-urban or motorway trips.

²⁾ X-Pulse is not available with the OM 936 engine.

³⁾ Standard in conjunction with secondary water retarder.

⁴⁾ Depending on engine variant.

⁵⁾ For Antos only.

⁶⁾ Optional equipment, only for Antos 4x2 model variants.

⁷⁾ Optional equipment.



Predictive Powertrain Control: it knows your route. From start to finish. And provides for additional diesel savings of up to 5%.

Predictive Powertrain Control allows you to operate even more economically. Because the system always knows the route ahead. As a result, it can achieve fuel savings of up to 5% on motorways and highways covered by PPC in Western and Eastern Europe.

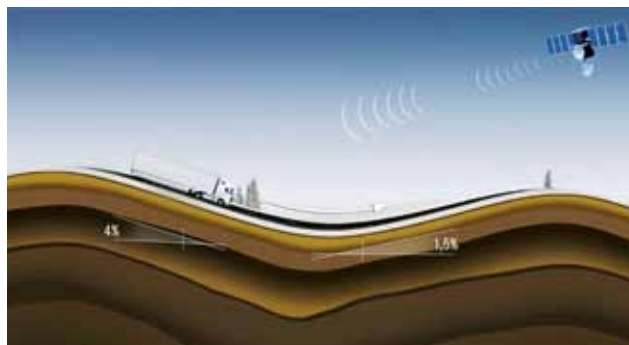
Predictive Powertrain Control¹⁾. The system integrates a driving style optimised for the route topography into the operating mode of the automatic transmission and, in conjunction with the precisely coordinated shift strategy, allows fuel savings of up to 5% to be achieved. Using satellite-based positioning technology and maps, Predictive Powertrain Control (PPC) identifies the course of the road and any downhill and uphill stretches ahead. The data provides the basis for the optimisation of the shift points, gear steps and the set cruise control speed. The kinetic energy of the vehicle is used as far as possible to avoid unnecessary acceleration, shifting or braking. PPC knows some 295000 kilometres (95%) of European trunk roads and can be used at speeds between 25 and 90 km/h.



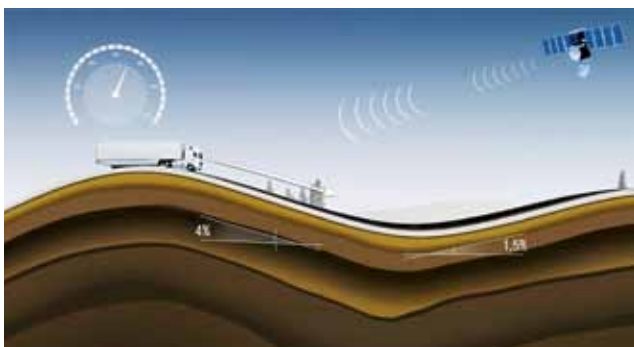
Topography-oriented driving style. Predictive Powertrain Control uses digital 3D road maps and GPS information to generate an electronic horizon which is employed to optimise shift points, gear selection and the set cruise control speed in anticipatory mode. In this way, a driving style adapted to the given topography which will generally be beyond the capabilities even of experienced drivers can be integrated into the automated system, resulting in additional fuel savings of up to 5%.



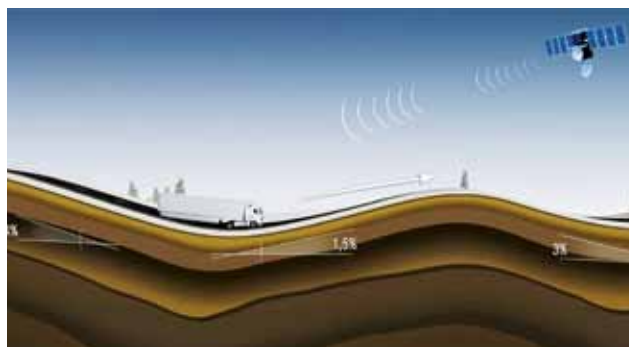
Driving situation: steep uphill gradient. In order to avoid shifting on an incline as far as possible, PPC performs the shift – if beneficial – before the start of the climb and/or increases the speed within the upper limit of the hysteresis range. Predictive Powertrain Control additionally provides for an optimised shift sequence, e.g. fewer gear changes and larger gear steps.



Driving situation: coasting. Why accelerate when coasting is sufficient? The kinetic energy of the vehicle is continuously determined. In other words: the vehicle automatically detects if it can attain the set cruise control speed quickly enough by coasting. What's more, EcoRoll can be used to avoid engine drag losses.



Driving situation: brow of a hill. The principle centres on coasting over the brows of hills to avoid braking on downhill stretches. The kinetic energy of the vehicle is continuously determined. This enables the vehicle to assess in good time whether it can coast over the brow of the hill at adequate speed. EcoRoll can be used to reduce engine drag losses.



Driving situation: EcoRoll. As a result of precise activation, Predictive Powertrain Control is able to make optimum use of EcoRoll phases. This means that EcoRoll saves fuel not only on virtually level stretches, but also ahead of hilltops, for example. In addition, EcoRoll phases of under 10 seconds can be avoided in valleys, for example.



Advantages at a glance.

- Predictive Powertrain Control: Up to 5% less fuel consumption resulting from driving style adapted to the given topography
- Detection of the course of the road, e.g. uphill and downhill gradients ahead
- Optimisation of shift points, gear selection and the cruise-control speed setting
- Optimum use of the system via traffic-dependent setting with adjustable upper and lower hysteresis
- Available across Europe on motorways and trunk roads with PPC coverage

¹⁾ Optional equipment for Antos.



FleetBoard: Greater efficiency through enhanced transparency.

FleetBoard offers individualised telematics solutions for freight forwarders and logistics companies. The intelligent networking of the driver, fleet and job order provides you with valuable information. This helps you to reduce your costs while simultaneously increasing productivity and offering enhanced reliability.

FleetBoard. These are telematics-based internet services for sophisticated driver, fleet and task management, which can increase the efficiency of your fleet in various ways. The basis for these services is provided by the FleetBoard TiiRec vehicle computer¹⁾, which is available ex factory.

FleetBoard Order Management¹⁾. Designed to be integrated flexibly in a company's own dispatching and ERP system, FleetBoard Order Management stands for greater efficiency in logistics processes. DispoPilot.guide or DispoPilot.mobile supports efficient communications, transparent processes and the easy exchange of information between driver and headquarters.



Greater efficiency. FleetBoard Transport Management offers efficient communication with the driver. All order and route details are sent directly to the DispoPilot.mobile to avoid circuitous routes and misunderstandings. Other advantages include the integrated barcode scanner which allows the driver to perform a target/actual comparison of packages when delivering goods. The customer's digital signature can also be recorded on the DispoPilot.mobile screen and transferred directly to dispatch.

FleetBoard Time Management¹⁾. FleetBoard Time Management ensures that you can always keep track of your drivers' driving time and rest periods – an ideal basis for optimal resource and trip planning. Furthermore, you comply with all the statutory regulations regarding the archiving of driving times and rest periods – in fact, this practically takes care of itself. This saves money and reduces administrative effort.

FleetBoard Fleet.app. With the FleetBoard Fleet.app²⁾ for iPhone® and iPad® as well as for Android devices you are kept informed wherever you may be about whether the journeys are running according to schedule or if measures need to be taken at short notice – including at night in case of emergency.



FleetBoard TiiRec¹⁾. The FleetBoard TiiRec vehicle computer provides the basis for use of the FleetBoard services and the various efficiency-boosting services from Mercedes-Benz.

FleetBoard DispoPilot.app³⁾. The new Android-based app allows logistics processes and capacities to be configured flexibly and dynamically – through the integration of subcontractors in your transport processes, for example.

FleetBoard Driver.app³⁾. The Android-based app designed specifically for the driver enables direct access to the driver's own data from the FleetBoard Performance Analysis and Time Management services. This provides drivers with an overview of their style of driving and their current driving times and breaks. The Fitness Coach and the Messenger are great features to keep the driver occupied during breaks and after work.



DispoPilot.guide¹⁾. The quick and easy way to your destination: once the job data have been transmitted, information such as the loading and unloading address can be transferred directly to the integrated navigation system.

More information. Details of further advantages of FleetBoard are also available at www.fleetboard.com or direct from your authorised Mercedes-Benz Dealer.

¹⁾ Optional equipment.

²⁾ Available free of charge from the App Store and the Google Play Store.

³⁾ Available free of charge from the Google Play Store.

Performance Analysis. FleetBoard Performance Analysis contributes to a driving style which is conducive to reducing fuel consumption and wear. To this end, the telematics system records and analyses technical data from the truck. It also shows how intensively the Predictive Powertrain Control¹⁾ system is being used. The driver's style of driving is assessed on the basis of these data and a corresponding mark is awarded. This enables an objective assessment of the driving style and allows training to be tailored to the individual driver. FleetBoard Performance Analysis together with FleetBoard EcoSupport²⁾ also ensures that the driver retains on a lasting basis the fuel-efficient driving style acquired in Mercedes-Benz EcoTraining, for example. Overall, long-term fuel savings of up to 15% can be achieved in this way.

FleetBoard EcoSupport. The system assists the driver in a fuel-saving driving style. To this end it displays tips while on the road that provide an opportunity to further optimise the individual driving style and reduce fuel consumption.

EcoTraining. Mercedes-Benz EcoTraining teaches a way of driving that allows you to make even better use of the technical potential of your truck for even further fuel savings.

This is based on the evaluation of the data from the FleetBoard driving analysis.



FleetBoard Drivers' League. A contest where drivers can demonstrate their skills. Where saving fuel is fun and is rewarded twice over. Your drivers can win attractive prizes and you reduce your costs. See www.driversleague.com for further information and registration.



¹⁾ For Antos only.

²⁾ Independent of the FleetBoard telematics system.

³⁾ Optional equipment.

⁴⁾ Available free of charge from the App Store and the Google Play Store.

⁵⁾ Available free of charge from the Google Play Store.



Advantages at a glance.

- FleetBoard³⁾ – FleetBoard TiiRec vehicle computer³⁾
- FleetBoard Order Management³⁾ for efficient logistics processes
- FleetBoard Time Management³⁾ for optimal resource and trip planning as well as easy compliance with statutory regulations and reduction of the documentation workload
- FleetBoard Fleet.app⁴⁾ for mobile access to the fleet
- FleetBoard DispoPilot.app⁵⁾ for the flexible organisation of transport capacities
- FleetBoard Driver.app⁵⁾ for drivers
- Plus: fuel savings of up to 15% through FleetBoard Performance Analysis³⁾, FleetBoard EcoSupport and Mercedes-Benz EcoTraining³⁾
- FleetBoard Drivers' League as additional motivation for a fuel-saving driving style



Financing your vehicle:

with Mercedes-Benz Finance.

Our customised financial services make your accounting more flexible. Together with Mercedes-Benz Finance and our Mercedes-Benz Dealers, we are able to tailor our products to suit your needs. One of the best things about using Mercedes-Benz Finance to fund your truck is that you gain not just the best truck on the market, but you also have a new business partner who will be with you every step of the way.

Mercedes-Benz Finance was established in the UK more than 25 years ago and has over 215,000 finance agreements. They are the only finance partner who has our full backing and they only finance Mercedes-Benz products. All of this means that no-one else can provide you with more in-depth product support and assistance whenever you need it. Their experienced Business Managers will work with you to understand your business needs and will provide you with a business solution when funding your vehicles. In the meantime the next page will give an overview of all their finance products.



Hire Purchase is a straightforward, affordable route to ownership. This is the perfect way to buy a vehicle if you want to work your way up to full ownership over a period of time and spread the overall cost of owning a Mercedes-Benz.

Agility, our Contract Purchase Product, is a flexible method of financing a truck over a fixed term which allows you to defer your decision to purchase, hand back or part-exchange your vehicle until the end of your agreement.

Operating Lease gives you the ability to enjoy driving a Mercedes-Benz without having to take on full ownership. With this option you lease your vehicle for a fixed period and for a fixed monthly rental. It requires no capital investment and the vehicle is not shown on your balance sheet.

Contract Hire is an Operating Lease agreement that is combined with a service, repair and maintenance package as well as the cost of your vehicle's Road Fund Licence for the duration of your agreement.

Finance Lease allows your vehicle to appear as an asset on your balance sheet without the option of ownership, as you hire a vehicle for a fixed period.

To find out more about Mercedes-Benz Finance visit:

mbtrucks.co.uk/finance

To find out more about our latest offers visit:

mbtrucks.co.uk/offers



Investment (3) – advantages at a glance

- Tailored finance packages to suit your needs
- It is possible to design a bespoke repayment pattern that matches your business's income and expenditure cycles



Lower costs, higher efficiency. For repairs and maintenance, too.

We do everything to keep repair and maintenance costs as low as possible for you. For example, with a design that is optimised to make repairs particularly easy, with fixed price packages and Mercedes-Benz service contracts.

High cost-effectiveness. From the very start, the Atego and the Antos were designed with a view to keeping costs particularly low – both in everyday use and with regard to maintenance and repairs. Furthermore, additional cost savings are possible with Service Contracts, for example.

Ease of repair. The introduction of the new Euro VI emissions standard brought with it considerable additional technical sophistication. There are many reasons why our trucks can nevertheless be repaired and maintained as inexpensively as comparable predecessor models. Right back at the design stage, care was taken to ensure that all the components are not only particularly robust but can also be replaced or repaired particularly quickly and cost-effectively if necessary. For lower costs and higher efficiency.

Mercedes-Benz Genuine Remanufactured Parts. As a cost-effective and environmentally friendly alternative, the extensive portfolio of remanufactured parts offers the usual high quality of Mercedes-Benz and tested safety at attractive prices. This is because the savings in terms of resources and energy which do not have to be expended to produce new genuine parts are passed on to you in the form of reduced prices.

Fixed price packages. With our fixed-price packages, you know in advance what costs will be incurred and how long the maintenance or repair will take. As a result, you can plan with certainty with regard to costs and vehicle availability.

Mercedes-Benz GenuineParts. High quality at an affordable price as a basis for value retention and overall economy. The extensive range of parts, efficient logistics and quick availability are further advantages.



Mercedes-Benz service contracts. From warranty extensions through maintenance packages to a comprehensive service package including wear items – the Mercedes-Benz graduated range of service contracts offers flexible repair and maintenance products which are geared to customers' requirements and which allow them to plan monthly costs and make optimal use of their fleet capacity.



Advantages at a glance.

- Service-oriented design for lower repair and maintenance costs
- Mercedes-Benz GenuineParts for high reliability and value retention as well as Genuine Remanufactured Parts as a cost-effective alternative
- Fixed-price packages offer the soundest basis for reliable cost planning
- Mercedes-Benz service contracts for monthly instalment planning as well as increased vehicle availability:
- Service24h fast emergency assistance is available around the clock via the free service hotline on 00800 5 777 7777



The greater the residual value, the greater the cost-effectiveness. It's as simple as that.

When you choose one of our trucks, you can count on being able to operate particularly economically. This is because the high residual value you can expect reduces the operating costs throughout the entire period of use. At the same time, you are laying the foundations for the future. Because a first-rate truck is an investment in the next truck.

Residual value. When you choose our trucks, you can count on vehicles whose innovative technology and task-optimised vehicle configurations mean you can look forward to a particularly high residual value. This is an important consideration for every truck operator, because the higher a truck's residual value is at the end of its period of use, the lower its depreciation is while it is in service.

Approved Used Commercial Vehicles. We have the largest selection of Mercedes-Benz Used Commercial Vehicles in the UK, available from 60 Dealer locations and supported by more than 90 Dealer service departments. Only our premium quality trucks qualify to be one of our Approved Trucks.



Finance. In order to know how much you can expect to receive for your truck upon disposal, its residual value can if you wish, be guaranteed either directly through Mercedes-Benz UK or via a suitable Mercedes-Benz Finance product, with all agreed prior to delivery of your new truck. With a confirmed value for the future, this provides you with a sound basis on which to plan the allocation of your capital resources and also with consideration for the investment in your next truck.

Peace of mind with Mercedes-Benz Repair & Maintenance. For peace of mind over your running costs, why not take out one of our Repair & Maintenance Contracts, which are available on our full range of used trucks and include 24hr Service and Aftersales Support from over 90 UK Dealer locations.

Mechanical Breakdown Insurance. Benefit from an impressive range of products and services and first-class advice: with the finance packages offered by Approved Used Commercial Vehicles we think we can supply the used commercial vehicle you're looking for. Choose between classic financing and leasing arrangements or numerous individual variants and so reduce your capital commitment.



Advantages at a glance.

- Approved Used Commercial Vehicles – professional used vehicle organisation for purchase and sale of used trucks of all brands, age groups and versions
- To provide certainty on the future value, and so that you know what resale value to incorporate into any whole-life cost calculation, we can – if you wish – guarantee the residual value to you either directly through Mercedes-Benz UK or via a suitable Mercedes-Benz Finance product
- A calculable factor for the future
- No risk to trade-in value at end of contract
- Comprehensive services such as leasing and financing



We do everything. For a particularly high level of safety.

Reaching the destination safely – with the support of assistance and safety systems which actively ease the burden on the driver, help protect the vehicle and its cargo and so contribute to greater cost-effectiveness. On every trip.

Safety equipment. Mercedes-Benz employs many safety and assistance systems to reduce risks and ease the burden on the driver. Along with the Electronic Braking System with ABS, ASR, Brake Assist and hill holder, Stability Control Assist, Lane Keeping Assist, Attention Assist¹⁾ and daytime running lamps also contribute to the high level of safety. Systems such as the rain and light sensor²⁾, the co-driver's mirror with manoeuvring function^{1) 2)}, Proximity Control Assist^{1) 2)}, Roll Control Assist^{1) 2)}, tyre pressure monitoring^{1) 2)} and the engine brake rated at up to **350 kW**²⁾ provide the driver with additional support.

Secondary water retarder. Wear-free and maintenance-free, the secondary water retarder^{1) 2) 3)} offers greater braking power, higher average downhill speeds and lower weight than conventional oil retarders.

Bi-xenon headlamps^{1) 2)}. Both the dipped and main beam headlights benefit from the particularly high light output of the bi-xenon lamps, which also use less energy than the standard headlights.

Active Brake Assist. Fitted as a statutory requirement and operating within the system limits, Active Brake Assist can detect obstacles driving ahead of the vehicle, warn the driver of dangers identified and, if necessary, initiate full brake application to mitigate the severity of a possible accident and its consequences.

Sensor-controlled fifth-wheel coupling. The monitored semi-trailer coupling^{1) 2)} notifies the driver via a display in the instrument cluster whether the semitrailer coupling is open or closed. This enhances safety and avoids repair costs.



Active Brake Assist 4^{1) 2) 5) 6)}. The fourth generation of the system assists the driver^{7) 8)} by carrying out full brake application in response to stationary and moving objects and partial braking in response to pedestrians in motion; in this way, it can reduce the severity of accidents or even prevent them completely.

Safety Packs. Driver and Safety Packs^{1) 2)} increase comfort and safety, and offer increased cost effectiveness.



Attention Assist^{7) 9)}. The system can recognise increasing tiredness and recommend the driver takes a break.

¹⁾ For Antos only.

²⁾ Optional equipment.

³⁾ Available in conjunction with High Performance Engine Brake.

⁴⁾ Available for LHD vehicles only.

⁵⁾ Optional equipment, only in conjunction with Proximity Control Assist.

⁶⁾ Expected to be available from 12/2016.

⁷⁾ Within the system's limits.

⁸⁾ Under optimal conditions.

⁹⁾ Only available in conjunction with Lane Keeping Assist.



Proximity Control Assist^{1) 2)}. The safety system with stop-and-go function is on hand to support the driver in stressful situations and can reduce the risk of rear-end collisions. When approaching an identified vehicle driving ahead, the system reduces the speed and maintains the preset distance.



Advantages at a glance.

- Electronic brake system with ABS, ASR, Brake Assist and hill holder
- Secondary water retarder^{1) 2) 3)} with up to 3500 Nm of braking torque
- Stability Control Assist
- Active Brake Assist 4^{1) 2) 5) 6)}
- Proximity Control Assist^{1) 2)} with stop-and-go function
- Attention Assist^{1) 9)}
- Lane Keeping Assist
- Roll Control Assist^{1) 2)}
- Tyre pressure monitoring system^{1) 2)}
- Bi-xenon headlamps^{1) 2)}, front fog lamps²⁾, LED daytime running lamps²⁾ and LED tail lights²⁾
- Follow-me-home lighting
- Rain/light sensor
- Monitored semitrailer coupling^{1) 2)}
- Safety Packs^{1) 2)}



We do everything. To ensure particularly high vehicle availability.

For minimal downtime and permanent operational effectiveness: for example, with our extensive European network of workshops offering extended opening hours; Mercedes-Benz Service Complete and Service24h for fast assistance in an emergency.

Mercedes-Benz Service. Throughout Europe some 1800 Mercedes-Benz service outlets are at your disposal for workshop services, some even open 24 hours. Over and above this our trained employees and extremely efficient parts logistics with a total of 13 European parts centres facilitate especially short repair times and ensure that your truck returns to the road as soon as possible.

Maintenance. The information displayed in the cockpit provides you with advance warning about when your vehicle's next service is due. This is determined on the basis of the continuous evaluation of data about the actual workload of the vehicle: for example, every single cold start, the degree of brake pad wear, the condition of the engine oil and the fluids of all major components. In this way, maintenance can be planned in anticipatory mode and can be combined with statutory inspections, for example. This avoids additional downtime.

Extended opening hours. Some of the roughly 1800 Mercedes-Benz service outlets throughout Europe are even open for 24 hours. This makes maintenance planning easier and more flexible. What's more: even more major repairs can be carried out within one working day – so that your vehicle is not at the workshop any longer than absolutely necessary.

Mercedes-Benz Service Complete. Service Contracts can cover all contingencies to your best advantage. They can provide cover for all vehicle components and assemblies as well as the replacement, repair and maintenance of all wear parts for precisely calculable, attractive monthly instalments. Furthermore, Service Complete can be extended optionally to include international coverage (Europe). This means that downtime days can be used for planned repairs and maintenance also when abroad, with improved vehicle capacity utilisation as a result.



Mercedes-Benz Service24h: assistance around the clock. Mercedes-Benz Service24h ensures direct assistance in the event of a breakdown – 365 days a year and 24 hours a day. A call to the free¹⁾ hotline on 00800 5 777 7777 is all it takes. Qualified staff assist the caller in his or her own language and arrange for assistance to be provided quickly by the nearest Mercedes-Benz truck workshop. In the event of a breakdown, optimally equipped service engineers in mobile workshops are deployed and, in four cases out of five, are able to remedy the problem on the spot so that the vehicle can resume its run as quickly as possible.

Looking ahead. Mercedes-Benz never stops working on solutions which increase the efficiency and thus also the availability of your truck.

¹⁾ If your mobile phone provider charges for Freephone numbers, please call +44 (0) 207 660 9991.

²⁾ Please first notify the police and rescue services if any person is injured.



Advantages at a glance.

- Extensive workshop network with around 1800 service outlets throughout Europe
- Long workshop opening hours, in some cases for 24 hours
- Maintenance system for anticipatory maintenance planning and minimal downtime
- Mercedes-Benz Service Complete for monthly instalment planning as well as increased vehicle availability
- Service24h: fast emergency assistance²⁾ is available around the clock via the free¹⁾ service hotline on 00800 5 777 7777



Genuine Accessories meeting the highest standards.

With the Atego and the Antos, you are ideally prepared for operations in the distribution haulage sector. And so that both are even better placed to reflect your idea of the perfect distribution truck, a comprehensive range of Mercedes-Benz Genuine Accessories is available to meet countless individual design requirements.

Chrome-finish mirror covers. The two-part set for the driver's and co-driver's side adds another highlight which gives your vehicle an even more charismatic and attractive appearance.

Universal mobile phone charging cradle. The universal mobile phone charging cradle allows you to conveniently operate your mobile phone using the buttons on the multi-function steering wheel. The charging cradle also holds your phone firmly in place while you are driving, recharges the battery and allows it to link up to the vehicle's exterior aerial.



Eye-catcher. The surround of the Mercedes-Benz logo below the windscreen underlines the individual character of your truck – while the Mercedes-Benz entrance emblem is another eye-catching feature that adds a special dimension to the experience of climbing aboard.

Everything always in view. Activated automatically when reverse is selected, the reversing camera system provides a view of the area immediately behind the vehicle, thus making for enhanced safety and facilitating accident prevention when manoeuvring.



Protection and comfort. The seat covers protect the seats against wear, damage and dirt. Besides their straightforward fitting and non-slip design, they make the seat feel pleasant to sit in too.



Velour and ribbed floor mats. The rugged floor mats protect the interior from dirt and damage, fit the shape of the footwell optimally and are coated on the underside to prevent them from slipping out of place.



Wheel nut caps. Because every detail counts: the stainless steel wheel nut cap protects the rim and the wheel nuts from damage and helps give the truck an individual look.



Distinctive detail. The high-gloss polished stainless steel gills¹⁾ for the side panels express strength and dynamism - and accentuate the individual character of your Antos.



Side window wind deflector. The aerodynamically optimised tinted or clear side window deflector set for the driver's or co-driver's side protects against the airflow when driving with the windows open.

¹⁾ For Antos only.

Please note: changes may have been made to the product since going to press (27.05.2016). The manufacturer reserves the right to make changes to the design, form, colour or specification during the delivery period, provided these changes, while taking into account the interests of the vendor, can be deemed reasonable with respect to the purchaser. Where the vendor or the manufacturer uses symbols or numbers to describe an order or the subject of an order, no rights may be derived solely from these. The illustrations and texts may include accessories and optional extras which do not form part of the standard specification. Colours may differ slightly from those shown in the brochure, owing to the limitations of the printing process. The images shown are to be considered examples only and do not necessarily reflect the actual state of the original vehicles. The appearance of the original vehicles may differ from these illustrations. Subject to change. This publication may also contain models and services which are not available in certain countries. This brochure is distributed internationally. It provides a general indication of the range of models, features, special equipment and/or colours available in various countries. Some of the models, features, special equipment and/or colours may not be available in your country, or may only be available in a different specification. Additionally, some models, features, special equipment and/or colours may only be available in combination with others. For current and more specific information in relation to the range of models, features, special equipment and/or colours available in your country, and their pricing, you should contact your nearest authorised Mercedes-Benz truck dealer.

www.mbtrucks.co.uk