



> View offers



> Book a test drive



> Find a Retailer



> View the Range Guide

# B-Class



Effective from 1 June 2016 Production.

Mercedes-Benz



# Contents

Model prices	10	Lane Tracking package and Driving Assistance package	31	Technical data	46
Finance offers	12	Exclusive package	32	Road Fund Licence	50
SE, Sport and AMG Line	14	AMG Exclusive package	33	Services and insurance	51
Executive, Premium and Premium Plus equipment lines	20	Night package	34	Mercedes me	52
Pricing summary for model and equipment lines	23	Optional equipment	35	Mercedes-Benz Finance	54
Standard equipment	24	Genuine Accessories	38		
Wheels	29	Colours and materials	42		

## The hard facts to melt your heart

At Mercedes-Benz we appreciate the importance of detail. Over the following pages you'll find model prices and a breakdown of standard and optional equipment, as well as details of the comprehensive services and benefits that are available to every Mercedes-Benz driver.

See Mercedes-Benz in a new light. Now is the time to get yourself behind the wheel of an B-Class. Choose from a number of attractive finance offers. Please see pages 12-13 for further details, or visit [www.mercedes-benz.co.uk/offers](http://www.mercedes-benz.co.uk/offers)

Of course, some things have to be experienced to be truly appreciated, such as the qualities that set a Mercedes-Benz apart. Which is why we'd like to invite you for a test drive at your local Mercedes-Benz Retailer. Alternatively, you can make arrangements by visiting [www.mercedes-benz.co.uk/testdrive](http://www.mercedes-benz.co.uk/testdrive)

For more information visit [www.mercedes-benz.co.uk](http://www.mercedes-benz.co.uk) or call 0333 222 0500.



> View offers



> Book a test drive



> Find a Retailer



> View the Range Guide



Some of the model features, optional extras and colours shown may not be available, or may only be available in a different specification.



> View offers



> Book a test drive



> Find a Retailer



> View the Range Guide



5

Some of the model features, optional extras and colours shown may not be available, or may only be available in a different specification.



> View offers



> Book a test drive



> Find a Retailer



> View the Range Guide



Some of the model features, optional extras and colours shown may not be available, or may only be available in a different specification.



> View offers



> Book a test drive



> Find a Retailer



> View the Range Guide

7



Some of the model features, optional extras and colours shown may not be available, or may only be available in a different specification.



> View offers



> Book a test drive



> Find a Retailer



> View the Range Guide



Model features optional equipment at an additional cost.





> View offers



> Book a test drive



> Find a Retailer



> View the Range Guide



# Model prices

Engine	Model line	Transmission	CO <sub>2</sub>	Basic RRP excl. VAT (£)	Total RRP incl. VAT (£)	Road Fund Licence (£) <sup>1</sup>	Rec. OTR price (£) <sup>2</sup>	P11D value (£)	BiK tax rate 2016/17 (%)
<b>B 180 d</b> Diesel – 1,461 cc, 4-cylinder, 109 hp/80 kW	SE	6-speed manual	104	18,812.50	22,575.00	0.00	23,245.00	23,190.00	20
		7G-DCT 7-speed automatic <sup>3</sup>	104	20,062.50	24,075.00	0.00	24,745.00	24,690.00	20
	Sport	6-speed manual	106	19,641.67	23,570.00	0.00	24,240.00	24,185.00	21
		7G-DCT 7-speed automatic <sup>3</sup>	107	20,891.67	25,070.00	0.00	25,740.00	25,685.00	21
	AMG Line	6-speed manual	106	20,720.83	24,865.00	0.00	25,535.00	25,480.00	21
		7G-DCT 7-speed automatic	107	21,970.83	26,365.00	0.00	27,035.00	26,980.00	21
<b>B 200 d</b> Diesel – 2,143 cc, 4-cylinder, 136 hp/100 kW	SE	6-speed manual	109	19,708.33	23,650.00	0.00	24,320.00	24,265.00	21
		7G-DCT 7-speed automatic <sup>3</sup>	104	20,958.33	25,150.00	0.00	25,820.00	25,765.00	20
	Sport	6-speed manual	112	20,537.50	24,645.00	0.00	25,315.00	25,260.00	22
		7G-DCT 7-speed automatic <sup>3</sup>	106	21,787.50	26,145.00	0.00	26,815.00	26,760.00	21
	AMG Line	6-speed manual	112	21,616.67	25,940.00	0.00	26,610.00	26,555.00	22
		7G-DCT 7-speed automatic <sup>3</sup>	106	22,866.67	27,440.00	0.00	28,110.00	28,055.00	21
<b>B 220 d</b> Diesel – 2,143 cc, 4-cylinder, 177 hp/130 kW	Sport	7G-DCT 7-speed automatic <sup>3</sup>	108	22,979.17	27,575.00	0.00	28,245.00	28,190.00	21
	AMG Line	7G-DCT 7-speed automatic <sup>3</sup>	108	24,058.33	28,870.00	0.00	29,540.00	29,485.00	21
<b>B 220 d 4MATIC</b> Diesel – 2,143 cc, 4-cylinder, 177 hp/130 kW	Sport	7G-DCT 7-speed automatic <sup>3</sup>	130	24,229.17	29,075.00	0.00	29,745.00	29,690.00	26
	AMG Line	7G-DCT 7-speed automatic <sup>3</sup>	130	25,308.33	30,370.00	0.00	31,040.00	30,985.00	26

<sup>1</sup>A different first year rate of Vehicle Excise Duty (Road Fund Licence) applies for new cars. Please refer to page 50 for the relevant rate for the second and subsequent years

<sup>2</sup>Recommended on-the-road price: these prices reflect the Road Fund Licence applicable to the standard model plus £670.00 additional costs necessary to put your car on the road.

Included are a standard UK delivery charge (£540.00 incl. VAT), new vehicle registration fee (£55.00), number plates (£25.00 incl. VAT) and fuel (£50.00 incl. VAT). VAT is calculated at the standard rate of 20%

<sup>3</sup>With SPEEDTRONIC cruise control as standard

Engine	Model line	Transmission	CO <sub>2</sub>	Basic RRP excl. VAT (£)	Total RRP incl. VAT (£)	Road Fund Licence (£) <sup>1</sup>	Rec. OTR price (£) <sup>2</sup>	P11D value (£)	BiK tax rate 2016/17 (%)
<b>B 180</b> Petrol – 1,595 cc, 4-cylinder, 122 hp/90 kW	SE	6-speed manual	129	17,916.67	21,500.00	0.00	22,170.00	22,115.00	22
		7G-DCT 7-speed automatic <sup>3</sup>	127	19,166.67	23,000.00	0.00	23,670.00	23,615.00	22
	Sport	6-speed manual	132	18,745.83	22,495.00	130.00	23,295.00	23,110.00	23
		7G-DCT 7-speed automatic <sup>3</sup>	129	19,995.83	23,995.00	0.00	24,665.00	24,610.00	22
	AMG Line	6-speed manual	132	19,825.00	23,790.00	130.00	24,590.00	24,405.00	23
		7G-DCT 7-speed automatic <sup>3</sup>	129	21,075.00	25,290.00	0.00	25,960.00	25,905.00	22
<b>B 200</b> Petrol – 1,595 cc, 4-cylinder, 156 hp/115 kW	SE	6-speed manual	130	19,187.50	23,025.00	0.00	23,695.00	23,640.00	23
		7G-DCT 7-speed automatic <sup>3</sup>	127	20,437.50	24,525.00	0.00	25,195.00	25,140.00	22
	Sport	6-speed manual	132	20,016.67	24,020.00	130.00	24,820.00	24,635.00	23
		7G-DCT 7-speed automatic <sup>3</sup>	129	21,266.67	25,520.00	0.00	26,190.00	26,135.00	22
	AMG Line	6-speed manual	132	21,095.83	25,315.00	130.00	26,115.00	25,930.00	23
		7G-DCT 7-speed automatic <sup>3</sup>	129	22,345.83	26,815.00	0.00	27,485.00	27,430.00	22

<sup>1</sup>A different first year rate of Vehicle Excise Duty (Road Fund Licence) applies for new cars. Please refer to page 50 for the relevant rate for the second and subsequent years

<sup>2</sup>Recommended on-the-road price: these prices reflect the Road Fund Licence applicable to the standard model plus £670.00 additional costs necessary to put your car on the road.

Included are a standard UK delivery charge (£540.00 incl. VAT), new vehicle registration fee (£55.00), number plates (£25.00 incl. VAT) and fuel (£50.00 incl. VAT). VAT is calculated at the standard rate of 20%

<sup>3</sup>With SPEEDTRONIC cruise control as standard

# Mercedes-Benz Finance

Even the finance offer is beautifully put together



## B 180 Sport with optional metallic paint (representative example)

36 monthly payments of <sup>1</sup>	£279.00
Customer deposit	£3,999.00
On-the-road price	£23,870.00
Retailer deposit contribution	£2,038.09
Optional purchase payment <sup>2</sup>	£9,750.00
Amount of credit	£17,832.91
Duration of agreement	36 months
Total amount payable <sup>3</sup>	£25,841.09
Purchase activation fee <sup>2</sup>	£10.00
APR	4.8%
Fixed interest rate	4.67%
Excess mileage	7p per mile

### Example offers – 4.8% APR Representative

	Metallic	On-the-road price	Retailer deposit contribution	Customer deposit	36 monthly payments of <sup>1</sup>
B 180 d SE	○	£23,820.00	£2,038.09	£3,095.23	£309.00
B 200 d Sport	○	£25,890.00	£2,038.09	£3,159.36	£339.00
B 200 d AMG Line	○	£27,185.00	£2,038.09	£3,466.92	£349.00

○ Optional equipment included in the price

### Mercedes-Benz Service Care

- Mercedes-Benz trained Technicians
- Maintained by Mercedes-Benz Retailers
- Meets requirements of Mercedes-Benz Agility finance agreement

### Mercedes-Benz Motor Insurance

- 24/7 UK accident recovery
- We use Mercedes-Benz GenuineParts
- To qualify for up to 10% discount online, go to [www.mercedes-benz.co.uk/motorinsurance](http://www.mercedes-benz.co.uk/motorinsurance)
- Alternatively, call Mercedes-Benz Motor Insurance now on **0345 600 2180**<sup>4</sup> for an annual quote

We may decline to quote in some circumstances. Mercedes-Benz Motor Insurance is underwritten by Aviva Insurance Limited

Content relating to finance is promoted by Mercedes-Benz Finance. Your Retailer may offer finance on behalf of other companies.

Orders/credit approvals on B-Class models only, between 1 October and 31 December 2016, registered by 31 March 2017; excluding Electric Drive. Some combinations of features/options may not be available.

Please contact your local Mercedes-Benz Retailer for availability

<sup>1</sup>Based on a Mercedes-Benz Agility agreement. Vehicle condition, excess mileage and other charges may be payable. Quotations available on request for alternative contract lengths and mileages. Guarantees may be required.

Credit provided, subject to status, by Mercedes-Benz Finance, MK15 8BA

<sup>2</sup>Payable if you exercise the option to purchase the car

<sup>3</sup>Includes optional purchase payment, purchase activation fee and Retailer deposit contribution (where applicable)

<sup>4</sup>Calls are charged at local rate and may be recorded



> View offers



> Book a test drive



> Find a Retailer



> View the Range Guide

## B-Class SE



Optional metallic paint finish shown



A car that offers heaps of style and versatility paired with advanced technology for your safety and comfort – the B-Class SE is an accomplished all-rounder. Just take the refined styling featuring an iridium silver radiator grille with chrome inserts on the outside and ARTICO leather<sup>1</sup> upholstery and a leather-trimmed steering wheel inside the cabin. The spacious B-Class is also filled with innovative solutions like a reversing camera for easy parking

and EASY-VARIO-PLUS package for added stowage flexibility. Advanced safety features include COLLISION PREVENTION ASSIST PLUS and ATTENTION ASSIST which alerts you if your concentration wavers. Meanwhile, for your entertainment, Audio 20 CD multimedia system with a 7-inch Media Display and Media Interface also come as standard on B-Class SE.

**Exterior**

16" alloy wheels – 5-twin-spoke design, painted in black with high-sheen finish

Comfort suspension

Halogen headlamps including integral LED daytime running lamps

Radiator grille with two louvres painted in iridium silver and chrome inserts

**Interior**

EASY-VARIO-PLUS package

Folding rear armrest with twin cup holders; sliding rear bench seat with ‘cargo position’; height adjustable boot floor; collapsible stowage box in boot

Stowage package

12V socket in luggage compartment; parcel net in front passenger footwell; parcel nets on driver and front passenger seat backrests; stowage boxes under front seats; sunglasses compartment in overhead control panel

7-inch Media Display

Audio 20 CD multimedia system including pre-installation for Garmin® MAP PILOT navigation system

Cruise Control with Limiter

Media Interface allows connection and control of portable media devices (e.g. MP3 player, USB storage media)

Reversing camera with dynamic guidelines on the media display

Smartphone integration comprising Apple CarPlay™

Steering wheel – 12-button multi-function leather steering wheel, 3-spoke design with black topstitching

THERMATIC – air conditioning

**Trim and Upholstery**

Line pattern



ARTICO leather<sup>1</sup> – black



ARTICO leather<sup>1</sup> – sahara beige



ARTICO leather<sup>1</sup> – crystal grey



<sup>1</sup>Man-made leather



> View offers



> Book a test drive



> Find a Retailer



> View the Range Guide

## B-Class Sport



Optional metallic paint finish shown



Space and great looks are a given in the B-Class, but if you want to enhance the sporty styling, the B-Class Sport does just that. On top of the standard equipment included in the B-Class SE, the Sport comes with a whole range of

*In addition/replacement to SE:*

#### Exterior

17" alloy wheels – 5-twin-spoke design

DYNAMIC SELECT – with a choice of driving modes: ECO, Comfort, Sport and Individual

Rain-sensing windscreen wipers

Twin tailpipes in polished stainless steel

#### Interior

8-inch Media Display

Gearshift lever in leather with silver chrome trim, perforated grip area and contrast stitching

Illumination for stowage compartment and vanity mirrors; reading lights and console light in rear roof lining

Instrument cluster with 4.5-inch TFT multi-function colour display, silver-coloured dials and red needles

stylish features: externally, there are 17" alloy wheels and visible twin sports tailpipes for added road presence. Inside, ambient lighting creates a sophisticated atmosphere.

Sail pattern trim

Steering wheel – 3-spoke, 12-button multi-function steering wheel with perforated leather grip area

Sun visors with illuminated vanity mirrors for driver and front passenger

THERMOTRONIC – luxury automatic climate control

#### Trim and Upholstery

Sail pattern

ARTICO leather<sup>1</sup> – black



ARTICO leather<sup>1</sup> – sahara beige

ARTICO leather<sup>1</sup> – crystal grey



<sup>1</sup>Man-made leather



> View offers



> Book a test drive



> Find a Retailer



> View the Range Guide

## B-Class AMG Line



Optional metallic paint finish shown

The B-Class AMG Line offers additional sporty refinement courtesy of our high-performance division AMG. It's equipped with 18" AMG alloy wheels, AMG bodystyling, lowered comfort suspension and Sports Direct-Steer system for a truly dynamic driving experience. Inside, the black ARTICO

*In addition/replacement to Sport:*

**Exterior**

18" AMG alloy wheels – 5-twin-spoke design, painted in titanium grey with high-sheen finish

AMG bodystyling

Brakes – front brake calipers with 'Mercedes-Benz' lettering

Brakes – perforated front brake discs

Comfort suspension – lowered (by 20 mm front, 15 mm rear)

Power steering – Sports Direct-Steer system with speed-sensitive servo assistance and variable steering ratio

**Interior**

AMG floor mats with red stitched edging

Brushed stainless steel sports pedals with rubber studs

leather<sup>1</sup>/DINAMICA microfibre upholstery with red contrast stitching and carbon fibre look trim creates a powerful atmosphere, while AMG sports pedals with rubber studs, AMG sports steering wheel and AMG floor mats add to the athletic credentials of this unique B-Class.

Carbon fibre-look trim

Front door sill panels in aluminium

Gearshift lever in leather with silver chrome trim, perforated grip area and red contrast stitching

Steering wheel – 3-spoke, 12-button multi-function sports steering wheel in leather with flattened lower section, perforated grip area and red contrast stitching

Upholstery in black ARTICO leather<sup>1</sup>/DINAMICA microfibre with red contrast stitching

**Trim and Upholstery**

Carbon fibre look



ARTICO leather<sup>1</sup>/DINAMICA microfibre – black



<sup>1</sup>Man-made leather

## Executive equipment line



Garmin® MAP PILOT navigation system



Parking Pilot



Heated front seats

The Executive equipment line lets you enjoy each journey that little bit more. It includes Parking Pilot, the highly sophisticated Garmin® MAP PILOT navigation system and heated front seats.

**Executive equipment line** (code DP3) – designed and priced as a package, including items as listed below.

**All models**

**Total incl. VAT £995.00**

**Executive equipment line comprises:**

---

Garmin® MAP PILOT navigation system

Operation via controller, touchpad or voice control. SD card navigation with instructions shown on the Media Display. Includes 3D views with visualisation of roads and buildings as well as junction and lane assistants, making it easy for drivers to orient themselves. Spoken instructions are emitted through vehicle's built-in speakers. Software and map can be updated online

---

Heated front seats

---

Parking Pilot

---

## Premium equipment line



LED High Performance headlamps



Ambient lighting



Automatically dimming driver's exterior mirror

The Premium equipment line increases the comfort of your Sport or AMG Line. This equipment line comprises all the features of the Executive equipment line, as well as ambient lighting, automatically dimming mirrors with electrically folding exterior mirrors and LED High Performance headlamps with Adaptive Highbeam Assist.

**Premium equipment line** (code DP0) – designed and priced as a package, including items as listed below.

**Sport and AMG Line**

**Total incl. VAT £1,695.00**

**Premium equipment line comprises:**

---

Ambient lighting (12-colour)

---

Automatically dimming driver's exterior mirror and rear view mirror

---

Electrically folding exterior mirrors

---

Garmin® MAP PILOT navigation system

---

Heated front seats

---

LED High Performance headlamps with Adaptive Highbeam Assist

---

Parking Pilot

---

## Premium Plus equipment line



Panoramic glass sunroof



Electrically adjustable front seats



KEYLESS-GO

If you want to take it up a notch, the Premium Plus equipment line for the Sport or AMG Line contains the same features as the Premium equipment line plus KEYLESS-GO for keyless locking, unlocking and starting; electrically adjustable front seats with four-way lumbar support; and a panoramic glass sunroof to brighten up the cabin.

**Premium Plus equipment line** (code DP1) – designed and priced as a package, including items as listed below.

**Sport and AMG Line**

**Total incl. VAT £2,995.00**

**Premium Plus equipment line comprises:**

---

Ambient lighting (12-colour)

---

Automatically dimming driver's exterior mirror and rear view mirror

---

Electrically adjustable front seats with four-way lumbar support. Exterior passenger mirror pivots down when reverse is selected. Memory programme with three individually selectable settings

---

Electrically folding exterior mirrors

---

Garmin® MAP PILOT navigation system

---

Heated front seats

---

KEYLESS-GO – keyless locking, unlocking and start of the vehicle

---

LED High Performance headlamps with Adaptive Highbeam Assist

---

Panoramic glass sunroof (black roof lining as standard)

---

Parking Pilot

---

## Pricing summary for model and equipment lines

Model	Transmission	Recommended OTR price (£) <sup>1</sup>									
		SE	SE Executive	Sport	Sport Executive	Sport Premium	Sport Premium Plus	AMG Line	AMG Line Executive	AMG Line Premium	AMG Line Premium Plus
<b>B 180 d</b>	6-speed manual	23,245.00	24,240.00	24,240.00	25,235.00	25,935.00	27,235.00	25,535.00	26,530.00	27,230.00	28,530.00
	7G-DCT 7-speed automatic	24,745.00	25,740.00	25,740.00	26,735.00	27,435.00	28,735.00	27,035.00	28,030.00	28,730.00	30,030.00
<b>B 200 d</b>	6-speed manual	24,320.00	25,315.00	£25,315.00	£26,310.00	£27,010.00	£28,310.00	£26,610.00	£27,605.00	£28,305.00	£29,605.00
	7G-DCT 7-speed automatic	25,820.00	26,815.00	£26,815.00	£27,810.00	£28,510.00	£29,810.00	£28,110.00	£29,105.00	£29,805.00	£31,105.00
<b>B 220 d</b>	7G-DCT 7-speed automatic	-	-	28,245.00	29,240.00	29,940.00	31,240.00	29,540.00	30,535.00	31,235.00	32,535.00
<b>B 220 d 4MATIC</b>	7G-DCT 7-speed automatic	-	-	29,745.00	30,740.00	31,440.00	32,740.00	31,040.00	32,035.00	32,735.00	34,035.00
<b>B 180</b>	6-speed manual	22,170.00	23,165.00	23,295.00	24,290.00	24,990.00	26,290.00	26,115.00	27,110.00	27,810.00	29,110.00
	7G-DCT 7-speed automatic	23,670.00	24,665.00	24,665.00	25,660.00	26,360.00	27,660.00	27,485.00	28,480.00	29,180.00	30,480.00
<b>B 200</b>	6-speed manual	23,695.00	24,690.00	24,820.00	25,815.00	26,515.00	27,815.00	26,115.00	27,110.00	27,810.00	29,110.00
	7G-DCT 7-speed automatic	25,195.00	26,190.00	26,190.00	27,185.00	27,885.00	29,185.00	27,485.00	28,480.00	29,180.00	30,480.00

<sup>1</sup>Recommended on-the-road price: these prices reflect the Road Fund Licence applicable to the standard model plus £670.00 additional costs necessary to put your car on the road. Included are a standard UK delivery charge (£540.00 incl. VAT), new vehicle registration fee (£55.00), number plates (£25.00 incl. VAT) and fuel (£50.00 incl. VAT). VAT is calculated at the standard rate of 20%

# Standard equipment

Item	SE	Sport	AMG Line
<b>Transmission and Suspension</b>			
Cruise Control with Limiter	●	●	●
Driving modes – DYNAMIC SELECT with a choice of driving modes: ECO, Comfort, Sport and Individual	△	●	●
ECO start/stop function	●	●	●
Suspension – comfort suspension	●	●	–
Suspension – lowered comfort suspension (lowered by 15 mm rear and 20 mm front)	–	–	●
Transmission – 6-speed manual transmission with shift point indicator	△	△	△
Transmission – 7G-DCT 7-speed automatic transmission with DIRECT SELECT gearshift lever and steering wheel gearshift paddles	△	△	△
<b>Exterior</b>			
Beltline strips – chrome	●	●	●
Bodystyling – AMG bodystyling with front and rear apron and side sill skirts	–	–	●
Brakes – front calipers with ‘Mercedes-Benz’ lettering	–	–	●
Brakes – perforated front brake discs	–	–	●
Bumpers – body-coloured	●	●	●
Door handles – body-coloured	●	●	●
Door mirrors – body-coloured exterior mirrors with integrated LED indicators and aspherically curved mirror glass	●	●	●

Item	SE	Sport	AMG Line
Door mirrors – electrically adjustable and heated	●	●	●
Door sills – front door sills in aluminium	–	–	●
Door sills – front door sills with ‘Mercedes-Benz’ lettering	●	●	●
Exhaust system – no visible tailpipes	●	–	–
Exhaust system – twin trapezoidal tailpipes in polished stainless steel	–	●	●
Glass – rear windscreen, heated with timer control	●	●	●
Lights – halogen headlamps including integrated LED daytime running lights	●	●	●
Lights – Headlamp Assist automatic headlamp activation in dark conditions	●	●	●
Lights – high-level third brake light, LED	●	●	●
Lights – LED fibre-optic tail lamps and LED brake lights	●	●	●
Parking – reversing camera with dynamic guidelines on the media display	●	●	●
Radiator grille – two louvres painted in iridium silver and chrome inserts	●	●	●
Wiper system – heated windscreen washer system (heated windscreen wiper nozzles and heated washer fluid hoses)	●	●	●
Wiper system – rear windscreen wiper with intermittent wipe and automatic activation when reversing	●	●	●
Wiper system – windscreen wipers including rain sensor with two sensitivity stages	–	●	●



Item	SE	Sport	AMG Line
<b>Interior</b>			
12V socket in luggage compartment and rear centre console	●	●	●
Air conditioning – air vents with surround and cruciform nozzle in silver chrome	●	●	●
Air conditioning – THERMATIC, including fine particle filter and air recirculation button with convenience function for closing windows automatically	●	–	–
Air conditioning – THERMOTRONIC luxury automatic climate control, two-zone, with display	–	●	●
Armrest – rear, folding, including through-loading facility and cup holder	●	●	●
Centre armrest – front, with stowage	●	●	●
Floor mats – AMG floor mats with edging in black and red contrast stitching	–	–	●
Gearshift – trimmed in leather	△	△	△
Interior lighting – ambient lighting (single-colour) with indirect illumination of the interior door handles at front and rear and door trim elements	–	●	●
Interior lighting – courtesy (white) and warning (red) lights in the front doors and boot lid	–	●	●
Interior lighting – footwell lighting, front and rear	–	●	●
Interior lighting – light switch in high-gloss black with ring in silver chrome	●	●	●
Interior lighting – rear lighting with integral reading lights and locator lighting	–	●	●
Interior lighting – sun visor with illuminated vanity mirror for driver and front passenger	●	●	●
Instrument cluster – 4.5-inch TFT multi-function colour display	●	–	–

Item	SE	Sport	AMG Line
Instrument cluster – 4.5-inch TFT multi-function colour display, silver-coloured dials and red needles	–	●	●
Instrument cluster – electronic service interval indicator ASSYST	●	●	●
Instrument cluster – outside temperature display	●	●	●
Instrument cluster – trip computer showing current fuel consumption	●	●	●
Instrument cluster – upper control panel with galvanised switches in silver chrome	●	●	●
Instrument cluster – warning buzzer and warning display if a seat belt is not fastened, lights are left on or parking brake is engaged	●	●	●
Instrument cluster – warning indicators for fuel, oil, coolant and washer fluid levels and brake wear	●	●	●
Mirrors – rear-view mirror with additional lighting	–	●	●
Non-Smoker package including 12V socket and stowage compartment in the front	●	●	●
Pedals – brushed stainless steel sports pedals with rubber studs	–	–	●
Seats – front seats, cushion length adjustment	●	●	●
Seats – rear seat fore/aft adjustment (left and right rear seat sections can be independently moved forward to increase luggage space)	●	●	●
Seats – Seat Comfort package Seat height adjusters and seat cushion angle adjustment on front seats	●	●	●
Seats – seats with adjustable head restraints	●	●	●

Item	SE	Sport	AMG Line
<b>Interior (continued)</b>			
Seats – split-folding rear seat backrests (1/3:2/3) with cargo position for increased luggage space	●	●	●
Stowage – boxes under driver and front passenger seats	●	●	●
Stowage – collapsible box stored under luggage compartment floor	●	●	●
Stowage – compartment in centre console with retractable cover	●	●	●
Stowage – compartments in front doors	●	●	●
Stowage – double cup holder in centre console	●	●	●
Stowage – folding tables on rear of driver and front passenger seat backrests	●	●	●
Stowage – load-securing rings in luggage compartment	●	●	●
Stowage – nets in front passenger footwell	●	●	●
Stowage – nets on rear of driver and front passenger seat backrests	●	●	●
Stowage – retractable load compartment cover	●	●	●
Stowage – sunglasses compartment in overhead console	●	●	●
Stowage – two-position luggage compartment floor (upper position for level loading, lower position for extra loadspace height)	●	●	●
Windows – electric windows (4)	●	●	●

Item	SE	Sport	AMG Line
<b>Steering</b>			
Power steering – with speed-sensitive servo assistance	●	●	–
Power steering – Sports Direct-Steer system with speed-sensitive servo assistance and variable steering ratio	–	–	●
Steering column manually adjustable for height and reach	●	●	●
Steering wheel – 3-spoke, 12-button multi-function steering wheel in leather with silver chrome trim	●	–	–
Steering wheel – 3-spoke, 12-button multi-function steering wheel in leather with silver chrome trim, perforated grip area and contrast stitching	–	●	–
Steering wheel – 3-spoke, 12-button multi-function steering wheel in leather with flattened lower section, perforated grip area and red contrast stitching	–	–	●




Item	SE	Sport	AMG Line
<b>Paint, Trim and Upholstery</b>			
Paint – non-metallic	●	●	●
Roof lining – black	△	△	●
Roof lining – grey	●	●	-
Trim – dashboard, carbon fibre look	-	-	●
Trim – dashboard, line pattern	●	-	-
Trim – dashboard, sail pattern	-	●	-
Upholstery – ARTICO leather <sup>1</sup> /DINAMICA microfibre upholstery in black with red contrast stitching	-	-	●
Upholstery – ARTICO leather <sup>1</sup> upholstery	●	●	-

Item	SE	Sport	AMG Line
<b>Communications and In-Car Entertainment</b>			
Audio 20 radio/single CD – 6 speakers, telephone keypad, twin radio tuner (FM/AM), CD player (MP3/WMA/AAC/WAV compatible), Bluetooth® interface, 2 USB ports, SD card slot and pre-installation for Garmin® MAP PILOT navigation system	●	●	●
Media display – 7-inch Media Display	●	-	-
Media display – 8-inch Media Display	-	●	●
Media Interface Allows connection and control of portable media devices (e.g. MP3 player, USB storage media) via ports in the centre console (input only)	●	●	●
Mercedes me connect (standard services) Including emergency call system (eCall), accident recovery, breakdown and maintenance management	●	●	●
Smartphone integration comprising Apple CarPlay™ Please check on <a href="http://www.apple.com/uk/ios/carplay/">www.apple.com/uk/ios/carplay/</a> for compatibility and approved apps. Certain features and apps require a 3G or 4G data connection. Control of features available through voice control and controller on centre console	●	●	●

Item	SE	Sport	AMG Line
<b>Safety and Assistance Systems</b>			
Anti-Theft Protection package including anti-theft alarm system with tow-away protection and interior monitoring system	●	●	●
Acceleration Skid Control (ASR)	●	●	●
Active Brake Assist	●	●	●
Airbags – automatic front passenger airbag deactivation	●	●	●
Airbags – for driver and front passenger	●	●	●
Airbags – kneebag for driver	●	●	●
Airbags – sidebags for driver and front passenger (combined thorax/pelvis bag)	●	●	●
Airbags – windowbags	●	●	●
Alarm system with immobiliser and interior protection – Thatcham category 1 (T1)	●	●	●
ATTENTION ASSIST – alerts the driver to increasing fatigue and inattention	●	●	●
Automatic child seat recognition sensor (pressure sensor)	●	●	●
Braking – adaptive Brake Assist with HOLD function, Hill Start Assist, priming and dry braking in the wet	●	●	●
Braking – adaptive brake lights (flash under emergency braking)	●	●	●
Braking – anti-lock braking system (ABS)	●	●	●
Braking – Brake Assist (BAS) with brake servo assistance when emergency braking is detected	●	●	●

Item	SE	Sport	AMG Line
Braking – electric parking brake	●	●	●
Crash-responsive emergency lighting (automatic activation of interior lighting in the event of an accident)	●	●	●
Emergency call system (eCall)	●	●	●
ESP® Curve Dynamic Assist	●	●	●
First-aid kit and warning triangle	●	●	●
Locking – childproof rear doors (manually operated) and rear electric windows (electrically operated)	●	●	●
Locking – remote central locking with interior switch, speed-dependent automatic locking (can be deactivated) and crash sensor with emergency opening function	●	●	●
Seat belts – rear, three-point (3)	●	●	●
Seats – front and rear seat belt reminder	●	●	●
Seats – front passenger seat occupancy sensor	●	●	●
Seats – height-adjustable head restraints (5)	●	●	●
Seats – ISOFIX and top-tether child seat fixing points in rear (two outer seats)	●	●	●
Tyres – TIREFIT with tyre inflation compressor	●	●	●
Tyres – tyre pressure monitoring system (tyre pressure display in instrument cluster)	●	●	●

# A revolution in style

Item	Notes		R78	SE	Sport	AMG Line	Basic RRP excl. VAT (£)	Total RRP incl. VAT (£)
<b>Wheels</b>								
16" alloy wheels (4) - 5-twin-spoke design, painted in black with high-sheen finish 205/55 tyres				●	-	-	-	-
17" alloy wheels (4) - 5-twin-spoke design 225/45 tyres			R04	-	●	-	-	-
18" AMG alloy wheels (4) - 5-twin-spoke design, painted in titanium grey with high-sheen finish 225/40 tyres			678	-	-	●	-	-



> View offers



> Book a test drive



> Find a Retailer



> View the Range Guide

Wheels

30

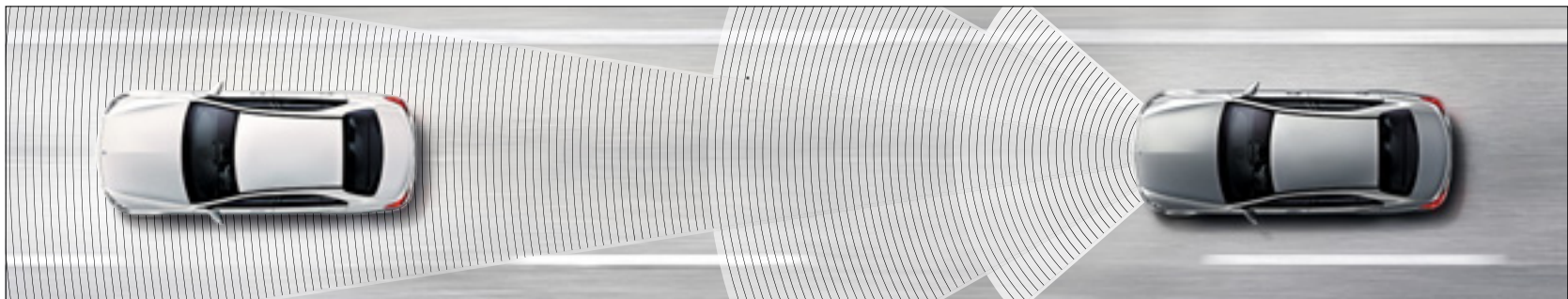
Item	Notes		646	SE	Sport	AMG Line	Basic RRP excl. VAT (£)	Total RRP incl. VAT (£)
<b>Wheels</b>								
18" AMG alloy wheels (4) - multi-spoke design, painted in black with high-sheen rim 225/40 tyres			646	-	-	△	Included in Night package	
18" AMG alloy wheels (4) - multi-spoke design 225/40 tyres	Not in conjunction with Night package (code P55)		791	-	-	○	100.00	120.00

● Standard   ○ Optional   - Not available

# Lane Tracking package and Driving Assistance package

Both of these packages contain highly intelligent features to help you stay safe on the road – by making the drive more effortless, and to alert you to any emergency. The Lane Tracking package includes Blind Spot Assist and Lane Keeping Assist. Distance Pilot DISTRONIC is part of the Driving Assistance package only.

Item	Notes	Lane Tracking package £595.00 (code 22P)	Driving Assistance package £1,695.00 <sup>1</sup> (code DP2)
Blind Spot Assist	Blind Spot Assist is able to detect vehicles in the blind spot and give the driver visible and audible warnings	■	■
Lane Keeping Assist	Lane Keeping Assist is able to detect when the vehicle is unintentionally drifting out of lane, duly warning the driver by means of pulsed vibrations through the steering wheel	■	■
Distance Pilot DISTRONIC	Distance Pilot DISTRONIC helps the driver to maintain a safe distance to the vehicle in front and so relieves strain on the driver, especially on long journeys or in a traffic jam	-	■
PRE-SAFE® anticipatory safety system	The renowned PRE-SAFE® safety system can 'sense' critical road situations and initiate preventive safety measures	-	■



Distance Pilot DISTRONIC

■ Included - Not included <sup>1</sup>Only in conjunction with automatic transmission

## Exclusive package



The optional Exclusive package adds yet more comfort to your B-Class. The leather seats are clad in black, hazelnut brown or cranberry red. Floor mats with edging in matching upholstery colour are also part of the package. Available only in conjunction with the Executive, Premium or Premium Plus equipment lines.

**Exclusive package** (code P34) – designed and priced as a package, including items as listed below.

**AMG Line** **Total incl. VAT £895.00**

**Exclusive package comprises:**

---

ARTICO leather<sup>1</sup> door centre panels in upholstery colour

---

Floor mats with edging in upholstery colour

---

Four-way lumbar support

---

Upholstery – black, hazelnut brown or cranberry red leather

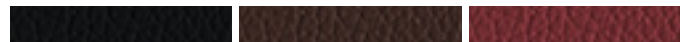
---

**Exclusive package upholstery**

Black

Hazelnut brown

Cranberry red



<sup>1</sup>Man-made leather



## AMG Exclusive package



The optional AMG Exclusive package is the perfect combination of refined style and comfort. The black RED CUT leather seats feature red perforations and contrast stitching. Just like the Exclusive package, the front seats also feature lumbar support. Available only in conjunction with the Executive, Premium or Premium Plus equipment lines.

**AMG Exclusive package** (code P39) – designed and priced as a package, including items as listed below.

**AMG Line** **Total incl. VAT £895.00**

**AMG Exclusive package comprises:**

---

ARTICO leather<sup>1</sup> door centre panels in upholstery colour

---

Four-way lumbar support

---

Upholstery – perforated black RED CUT leather with contrast stitching

---

**AMG Exclusive package upholstery**

---

Perforated black RED CUT



Memory package and KEYLESS-GO shown above (part of the optional Premium Plus equipment line)

## Night package



Radiator grille with two louvres in high-gloss black



Exterior mirror housings painted in black

Model shown features Premium equipment line (code DP0)

For a truly distinctive look, the B-Class can be further enhanced with the Night package. It includes a two-louvre high-gloss black radiator grille with chrome inserts, black door mirrors, high-gloss black beltline trim strips, 18" AMG multi-spoke alloy wheels, as well as privacy glass for the rear windscreen and rear side windows. The Night package offers extensive exterior features to complement the AMG Line, and is available only in conjunction with Premium or Premium Plus equipment lines.

**Night package** (code P55) – designed and priced as a package, including items as listed below.

### AMG Line

**Total incl. VAT £445.00**

#### Night package comprises:

---

18" AMG multi-spoke alloy wheels painted in black with a high-shine rim

---

Beltline trim strip in high-gloss black

---

Bumpers with chrome trim in high-gloss black

---

Exterior mirror housings painted in black

---

Privacy glass from B-pillar backwards

---

Radiator grille with two louvres in high-gloss black and chrome inserts

---

# Optional equipment

Item	Notes		SE	Sport	AMG Line	Basic RRP excl. VAT (£)	Total RRP incl. VAT (£)
<b>Suspension and Exterior</b>							
Selective Damping Provides the option to adjust suspension settings between 'Comfort' and 'Sport' using the DYNAMIC SELECT switch		459	-	-	○	495.83	<b>595.00</b>
Tow bar – manually folding with mechanical release; includes 13-pin socket		550	○	○	○	675.00	<b>810.00</b>
<b>Paint, Trim and Upholstery</b>							
Paint – metallic		-	○	○	○	479.17	<b>575.00</b>
<b>Comfort</b>							
Four-way lumbar support	Included in Exclusive package (code P34) and AMG Exclusive package (code P39)	U22	○	○	○	133.33	<b>160.00</b>
Panoramic glass sunroof	Included in Premium Plus equipment line (code DP1). Black roof lining as standard	413	-	○	○	829.17	<b>995.00</b>
Parking Pilot	Included in Executive, Premium and Premium Plus equipment lines (code DP3, DP0 and DP1)	235	○	○	○	562.50	<b>675.00</b>
Privacy glass – heat insulating dark-tinted glass all round from B-pillars backwards	Included in Night package (code P55)	840	○	○	○	216.67	<b>260.00</b>
Rear dividing net – restricts the movement of items from the luggage compartment to the passenger compartment		U40	○	○	○	104.17	<b>125.00</b>

Item	Notes		SE	Sport	AMG Line	Basic RRP excl. VAT (£)	Total RRP incl. VAT (£)
<b>Communications and In-Car Entertainment</b>							
COMAND Online system <sup>1</sup> Includes Android Auto and Apple CarPlay, radio, Traffic Sign Assist, single CD/DVD, map navigation system with 3D map display, Live Traffic Information and European map data updates free of charge for the first three years, and LINGUATRONIC voice control. Mercedes me connect with standard and Remote Online services. Access to internet sites when vehicle is stationary, plus unrestricted use of Mercedes-Benz apps (internet-enabled mobile phone required) and in-car internet access for Facebook, internet radio, sending routes from Google Maps™ to the vehicle, news and weather reports. Also includes SD memory card slot	Only available in conjunction with Executive, Premium and Premium Plus equipment lines (code DP3, DP0 and DP1). Please check on <a href="http://www.apple.com/uk/ios/carplay/">www.apple.com/uk/ios/carplay/</a> or <a href="http://www.android.com/intl/en_uk/auto">www.android.com/intl/en_uk/auto</a> for compatibility and approved apps	531	-	○	○	829.17	<b>995.00</b>
DAB digital radio tuner		537	○	○	○	358.33	<b>430.00</b>
Garmin® MAP PILOT navigation system SD card navigation with instructions shown on media display and in the instrument cluster. SD card inserted in centre armrest compartment next to USB ports. Includes 3D views with exact visualisation of roads and buildings as well as junction and lane assistants making it easy for drivers to orient themselves. Operation via controller or voice control. Spoken instructions are emitted through the vehicle's built-in speakers. Software and maps can be updated via the internet	Included with Executive, Premium and Premium Plus equipment lines (code DP3, DP0 and DP1). Not available with COMAND Online system (code 531)	357	○	○	○	412.50	<b>495.00</b>
Mercedes me connect (Remote Online) Onboard use of remote and location services, e.g. geographic vehicle monitoring, vehicle location, remote door locking and unlocking, and remote interrogation of vehicle status. Remote Online subscription services are limited to three years from initial registration, and can be extended at additional cost	Standard with COMAND Online system (code 531)	11U	○	○	○	125.00	<b>150.00</b>
Surround sound system – Harman Kardon® Logic 7® with Dolby Digital 5.1 and DTS 11 high-performance speakers and additional amplifiers	Removes stowage compartment beneath load compartment floor	810	-	○	○	566.67	<b>680.00</b>

Item	Notes		SE	Sport	AMG Line	Basic RRP excl. VAT (£)	Total RRP incl. VAT (£)
<b>Service Package</b>							
<p>Service Care</p> <p>Service Care allows you to spread the cost of servicing your new car in the Mercedes-Benz Retailer network. Taking out a Service Care plan ensures your servicing needs are taken care of by fully trained Mercedes-Benz Technicians with the added benefit of a Mercedes-Benz service history</p>	<p>Price is based on a monthly rate. Example given is for two services taken over 24 months or three services over 36 months. Further payment options are available. New Service Care prices apply only to vehicles up to 12 months old prior to first service. Prices effective from 3 May 2016</p>	1	<input type="radio"/>	<input type="radio"/>	<input type="radio"/>	22.50	<b>27.00</b>

## Genuine Accessories

We've developed a range of Accessories you can add to help personalise and enhance your B-Class. Your local Mercedes-Benz Retailer can advise on fitting costs of Accessories, where applicable. Further information on our full range of Genuine Accessories can be found on the Mercedes-Benz UK website.



### 01 | Shallow boot tub

The boot tub is suitable for transporting shopping. The tub shape with its slightly raised edge is precision-tailored to the load area. Made from impact-resistant, non-split polypropylene, its structured surface holds the separately available stowage crate in place. Deep boot tub also available.

Basic RRP £72.50 (excl. VAT) **Total RRP £87.00 (incl. VAT)**

### 02 | Stowage crate

A secure hold for items which are prone to tip over or slide around, e.g. shopping bags. Adjustable partitioning elements allow crate to be divided into max. four sections. Optimum functionality only in conjunction with shallow boot tub.

Basic RRP £71.67 (excl. VAT) **Total RRP £86.00 (incl. VAT)**

### 03 | All-season floor mats

Robust, washable synthetic material, designed for heavy use. Latest design with recessed areas and raised edge. With distinctive Mercedes-Benz star logo. Price for front and rear mats.

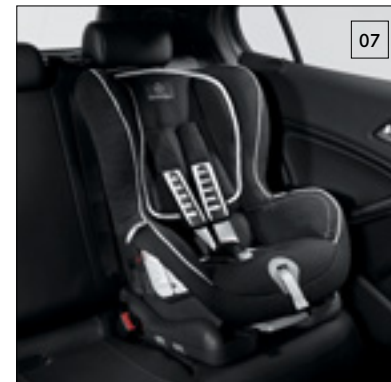
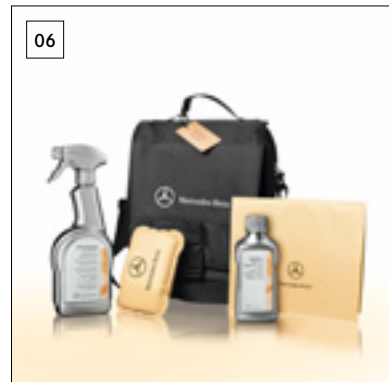
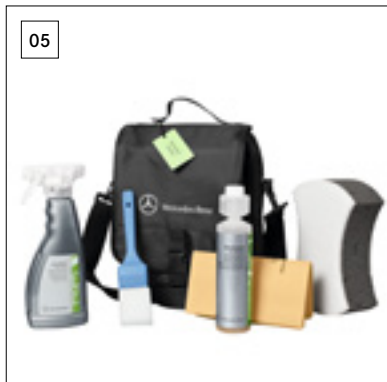
Basic RRP £73.34 (excl. VAT) **Total RRP £88.00 (incl. VAT)**

### 04 | Concertina load sill protector

Protects the rear of the car from scratches when you're loading the vehicle and prevents dirt on the car from getting onto your clothes. Practical design – can be connected to reversible mat, shallow boot tub or deep boot tub.

Basic RRP £32.50 (excl. VAT) **Total RRP £39.00 (incl. VAT)**





### 05 | Exterior Car Care Kit

The Mercedes-Benz Exterior Car Care Kit is a four-piece collection to keep the exterior of your car looking like it's come straight from the showroom. The bag contains car shampoo, wheel cleaner, sponge and polishing cloth.

Basic RRP £20.83 (excl. VAT) **Total RRP £25.00 (incl. VAT)**

### 07 | DUO plus child seat, with ISOFIX and automatic child seat recognition

Optimum safety for children between the ages of around 8 months and 4 years (9 to 18 kg). Fitted as standard with top tether, an additional belt for securing the head section, a height-adjustable harness, ventilation channels and ISOFIX attachment points. With automatic child seat recognition. Adjustable tilt. Also available for ages 0+ (1 to 13 kg) and 3.5 to 12 years (15 to 36 kg).

Basic RRP £428.33 (excl. VAT) **Total RRP £449.75 (incl. VAT)**

### 06 | Interior Car Care Kit

The Mercedes-Benz Interior Car Care Kit is a four-piece collection enabling you to maintain a spotless showroom finish inside your car. The bag contains cabin care spray, interior glass cleaner, interior glass sponge and car cloth.

Basic RRP £20.83 (excl. VAT) **Total RRP £25.00 (incl. VAT)**

### 08 | Coolbox

Not only cools but warms too. Cools to up to 20° C below ambient temperature, to max. -2° C. Can be switched to warming function. Robust, highly insulated hard case with fabric cover, outside pockets and padded shoulder strap. Capacity: 24 litres. Can be connected to 12V socket in vehicle or to 230V power source via separately available rectifier.

Basic RRP £140.00 (excl. VAT) **Total RRP £168.00 (incl. VAT)**



### 09 | Winter wheels and tyres

16" alloy wheels (4) – 10-spoke design.

Basic RRP £950.04 (excl. VAT) **Total RRP £1,140.05 (incl. VAT)**

### 10 | Winter wheels and tyres

17" alloy wheels (4) – 5-twin-spoke design. Includes Tyre Pressure Monitor.

Basic RRP £1,289.16 (excl. VAT) **Total RRP £1,547.00 (incl. VAT)**

### 11 | Mercedes-Benz roof box, 400 litres

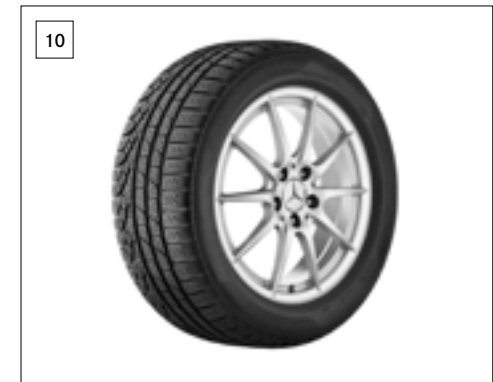
Multi-purpose box. Compact length, impressive amount of space. Capacity approx. 400 litres. Opens on both sides. Single lock system. Gas-filled struts for easy opening and closing of lid. Straps to hold contents in place. Maximum load capacity 75 kg. Available in matt silver or metallic black.

Basic RRP £341.67 (excl. VAT) **Total RRP £410.00 (incl. VAT)**

### 12 | Alustyle Quickfix carrier bars

Aluminium carrier bars, precision-tailored to the body of your B-Class – the perfect basis for a range of Mercedes-Benz transport solutions: ski and snowboard rack, bicycle rack or roof boxes.

Basic RRP £182.50 (excl. VAT) **Total RRP £219.00 (incl. VAT)**



# Colours and materials

## Non-metallic paints

Standard



589 jupiter red



650 cirrus white

## Metallic paints

Optional



162 south seas blue



761 polar silver



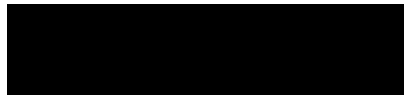
990 orient bronze



175 elbaitte green



787 mountain grey



191 cosmos black



890 cavansite blue

**Upholstery**

**SE and Sport**

ARTICO leather<sup>1</sup>



111 black



105 sahara beige



118 crystal grey

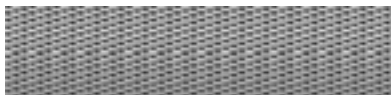
**Trim**

**SE**



H53 line pattern

**Sport**



H81 sail pattern

**AMG Line**

ARTICO leather<sup>1</sup>/DINAMICA microfibre



661 black

**AMG Line**



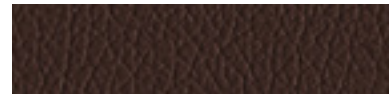
H74 carbon-fibre look

**Exclusive package (AMG Line)**

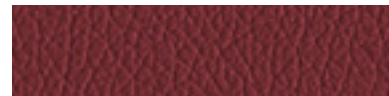
Leather



201 black



204 hazelnut brown



207 cranberry red

**AMG Exclusive package (AMG Line)**

Leather



821 perforated black RED CUT

<sup>1</sup>Man-made leather

# Trim and upholstery combinations

	SE and Sport			AMG Line
	ARTICO leather <sup>1</sup>			ARTICO leather <sup>1</sup> /DINAMICA microfibre
	black (111)	sahara beige (105)	crystal grey (118)	black (661)
<b>Dashboard</b>				
Steering wheel	black	black	black	black
Upper dashboard trim	black	black	black	black
Lower dashboard trim	black	black	crystal grey	black
<b>Seats</b>				
Seat cushion centre section	black	sahara beige	crystal grey	black
Side bolster trim	black	sahara beige	crystal grey	black
Head restraint	black	sahara beige	crystal grey	black
Seat belt	black	black	black	black
<b>Doors</b>				
Door pocket	black	black	crystal grey	black
Door trim	black	sahara beige	crystal grey	black
<b>Roof lining</b>	grey	black	grey	black
<b>Floor covering</b>				
Front and rear	black	black	black	black
Boot	black	black	black	black

<sup>1</sup>Man-made leather



# Combination options

		ARTICO leather <sup>1</sup> SE and Sport				ARTICO leather <sup>1</sup> /DINAMICA microfibre AMG Line				Leather (Exclusive package) AMG Line				Leather (AMG Exclusive package) AMG Line	
		black	sahara beige	crystal grey		black			black	hazelnut brown	cranberry red		perforated black RED CUT		
<b>Non-metallic paints (standard)</b>															
	589 jupiter red	●	●	○		●			●	△	△		●		
	650 cirrus white	●	●	○		●			●	●	●		●		
<b>Metallic paints (optional)</b>															
	162 south seas blue	●	●	●		○			●	●	●		○		
	175 elbaite green	●	△	●		○			●	△	△		△		
	191 cosmos black	●	●	○		●			●	●	●		●		
	761 polar silver	●	●	●		●			●	●	●		●		
	787 mountain grey	●	●	●		●			●	●	●		●		
	890 cavansite blue	●	●	●		●			●	●	●		●		
	990 orient bronze	●	●	●		△			●	●	△		△		

## Technical data

Model	Diesel engines				Petrol engines						
	B 180 d	B 200 d	B 220 d	B 220 d 4MATIC	B 180	B 200					
<b>Engine</b>											
Total displacement	cc	1,461	2,143	2,143	2,143	1,595	1,595				
Arrangement/cylinders/valves		in-line/4/8	in-line/4/16	in-line/4/16	in-line/4/16	in-line/4/16	in-line/4/16				
Power <sup>1</sup>	hp (kW) at rpm	109 (80)/4,000	136 (100)/3,200–4,000	177 (130)/3,600–3,800	177 (130)/3,600–3,800	122 (90)/5,000	156 (115)/5,300				
Torque <sup>1</sup>	Nm at rpm	260/1,750–2,500	300/1,400–3,400	350/1,400–3,400	350/1,400–3,400	200/1,250–4,000	250/1,250–4,000				
<b>Transmission</b>											
6-speed manual		●	●	–	–	●	●				
7G-DCT 7-speed automatic		○	○	●	●	○	○				
<b>Performance</b>											
		man.	auto.	man.	auto.	auto.	auto.	man.	auto.	man.	auto.
Acceleration 0–62 mph	sec	11.6	11.6	9.4	8.9	7.6	7.9	9.0	8.7	8.2	7.9
Top speed	mph	118	118	130	130	139	137	124	124	137	137

Model	Diesel engines						Petrol engines				
	B 180 d	B 200 d	B 220 d	B 220 d	B 220 d 4MATIC	B 180	B 200				
<b>Weights and capacities</b>	man.	auto.	man.	auto.	auto.	auto.	man.	auto.	man.	auto.	
Kerb weight	kg	1,420	1,450	1,485	1,505	1,505	1,575	1,395	1,425	1,395	1,425
Perm. Gross Vehicle Weight	kg	1,985	1,985	2,025	2,025	2,025	2,095	1,960	1,960	1,960	1,960
Towing capacity – unbraked		710	725	740	750	750	750	695	710	695	710
braked	kg	1,200	1,200	1,500	1,500	1,500	1,500	1,200	1,200	1,400	1,400
Boot capacity (seats down)	l	1,547	1,547	1,547	1,547	1,547	1,547	1,547	1,547	1,547	1,547
Fuel tank capacity/ of which reserve	l	50/6	50/6	50/6	50/6	50/6	56/6	50/6	50/6	50/6	50/6
Turning circle	m	11.0	11.0	11.0	11.0	11.0	11.0	11.0	11.0	11.0	11.0
<b>Fuel consumption<sup>2,3</sup></b>	mpg	man.	auto.	man.	auto.	auto.	auto.	man.	auto.	man.	auto.
Urban		61.4	64.2	53.3	60.1	57.7	47.9	38.2	40.4	37.7	40.4
Extra-urban <sup>4</sup>		78.5	76.4	80.7	80.7	76.4	62.8	62.8	61.4	61.4	61.4
Combined		70.6	70.6	67.3	70.6	67.3	56.5	50.4	51.4	49.6	51.4

Model	Diesel engines						Petrol engines					
	B 180 d		B 200 d		B 220 d		B 220 d 4MATIC		B 180		B 200	
CO <sub>2</sub> emissions <sup>3</sup>	g/km		man.	auto.	man.	auto.	auto.	auto.	man.	auto.	man.	auto.
Emissions standard	EU6		EU6	EU6	EU6	EU6	EU6	EU6	EU6	EU6	EU6	EU6
16" alloy wheels (205/55 tyres)	104	104	109	104	-	-	-	129	127	130	127	127
17" alloy wheels (225/45 tyres)	106	107	112	106	108	130	130	132	129	132	129	129
18" alloy wheels (225/40 tyres)	106	107	112	106	108	130	130	132	129	132	129	129

**Insurance**

Group rating	15	15	19-21	19	24	23	19	19	22	22
--------------	----	----	-------	----	----	----	----	----	----	----

Insurance ratings may vary depending on model line and specification. Please refer to <http://www.thatcham.org/abigrouprating/> for further details

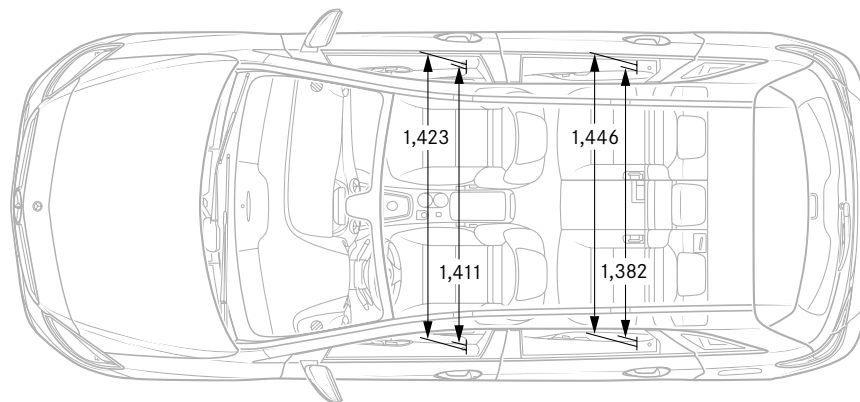
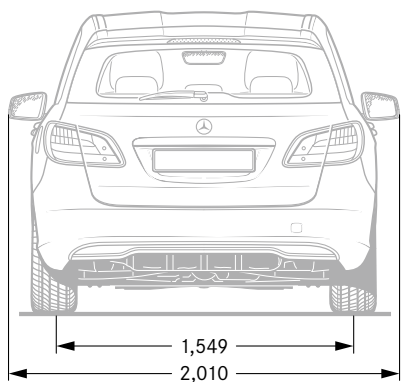
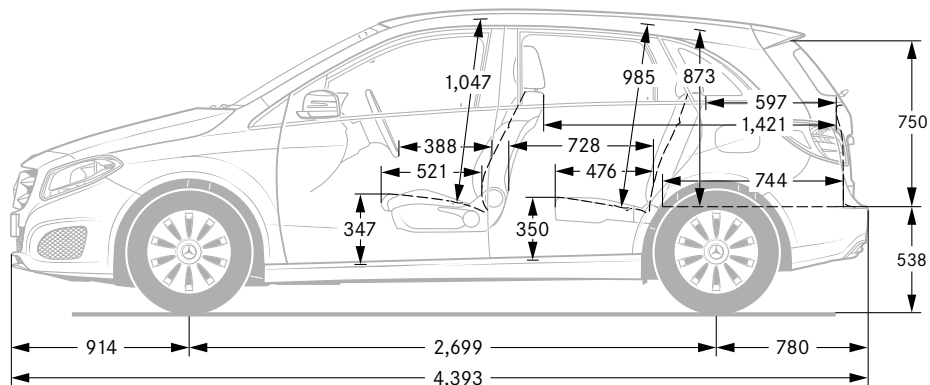
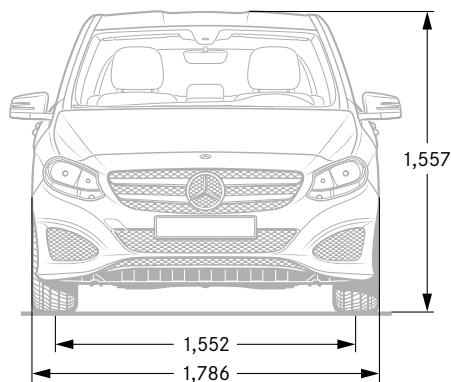
<sup>1</sup>Figures according to Directive 80/1269/EEC in the currently applicable version

<sup>2</sup>All figures are based on a standard specification with the smallest tyre size

<sup>3</sup>The choice of wheels and transmission may affect CO<sub>2</sub> emissions and corresponding Road Fund Licence

<sup>4</sup>EUDC: extra-urban driving cycle. Testing procedures adhere to EU Directive 93/116





The figures on pages 46-49 are correct at time of publication. Please refer to the government website for latest data - <http://carfueldata.direct.gov.uk/>

All measurements in millimetres. The dimensions shown are mean values and apply to standard-specification, unladen vehicles. Dimensions may vary slightly depending on the engine. Please consult your Retailer for further information

# Road Fund Licence



All road vehicle registrations are subject to Vehicle Excise Duty (Road Fund Licence), which varies in accordance with the vehicle's CO<sub>2</sub> emissions. A first year rate of Vehicle Excise Duty applies to new cars on their first year of registration. For the second and subsequent years a standard rate for each taxation band will apply.<sup>1</sup> The table below shows the bands (A–M) created by the DVLA and the corresponding Road Fund Licence. CO<sub>2</sub> emissions are listed in the technical data on page 48, and the relevant Excise Duty is reflected in the on-the-road prices on pages 10–11.

Band	CO <sub>2</sub> emissions	First year rate (£)	Standard rate (£)
A	up to 100 g/km	0.00	0.00
B	101 to 110 g/km	0.00	20.00
C	111 to 120 g/km	0.00	30.00
D	121 to 130 g/km	0.00	110.00
E	131 to 140 g/km	130.00	130.00
F	141 to 150 g/km	145.00	145.00
G	151 to 165 g/km	185.00	185.00
H	166 to 175 g/km	300.00	210.00
I	176 to 185 g/km	355.00	230.00
J	186 to 200 g/km	500.00	270.00
K	201 to 225 g/km	650.00	295.00
L	226 to 255 g/km	885.00	500.00
M	over 255 g/km	1,120.00	515.00

<sup>1</sup>For further information on vehicle taxation please refer to <http://carfueldata.direct.gov.uk/>

# Services and insurance

## Mercedes-Benz Service Care

We believe that servicing costs should be as flexible and affordable as possible for your B-Class, which is why we offer Service Care, an easy way to budget for all your servicing costs. It spreads your bills into manageable payments based on whether you have a new or used Mercedes-Benz.

With Service Care we guarantee the price of parts and labour for up to four services and safeguard against any further inflation. It also covers the cost of any additional items including brake fluid, spark plugs, air filters, fuel filters and screen wash.

You can choose either to add your servicing costs into your monthly spend or pay the full amount in a one-off payment, giving you peace of mind that they are taken care of for the period of the plan.

To receive a personalised Service Care plan recommendation visit the Service Care Calculator at [servicecarerates.mercedes-benz.co.uk](http://servicecarerates.mercedes-benz.co.uk)

## Warranty and breakdown cover

Every Mercedes-Benz comes with a three-year unlimited mileage warranty against manufacturing or material defects<sup>1</sup> and up to 30 years warranty against perforation due to corrosion from the inside out.<sup>2</sup> What's more, it's also covered by Mercedes-Benz Roadside Assistance – a unique package comprising up to 30 years pan-European breakdown assistance.<sup>2</sup>

## Insurance

Since our name is synonymous with reliability, who better to trust with your motor insurance? Mercedes-Benz Insurance provides a motor insurance policy specifically designed to give you the cover you would expect from Mercedes-Benz. For a motor insurance quotation, call **0345 600 2180**.\*

# The Mercedes that thinks and acts for you.

## Imagine if...

### ...you could connect with your Mercedes-Benz?

With Mercedes me connect, you can; with Remote Online services<sup>1</sup> that include trip planning, maintenance management and vehicle tracking, plus more.

Getting connected is easy. Just set up your Mercedes me account and get in touch with your Mercedes-Benz Retailer to connect your vehicle to your profile to access your Mercedes me connect services.

### ...you knew beforehand that you need to stop for fuel?

Simply check the fuel level and mileage range from your phone wherever you are. You can also check tyre pressure and washer fluid level. (For electric cars, you can check battery charge state.)

### ...your Mercedes could tell you where it's parked?

You no longer need to ask yourself where you left your car; with Mercedes me connect you can locate your car from your smartphone or tablet within a mile radius.



1. PARKED VEHICLE LOCATOR  
2. VEHICLE TRACKER

3. REMOTE RETRIEVAL OF VEHICLE STATUS  
4. PRE-ENTRY CLIMATE CONTROL FOR ELECTRIC DRIVE AND PLUG-IN HYBRID

### ...you could lock your Mercedes, even if you're miles away?

The uncertainty of whether you've forgotten to lock the car is only human. To make sure your Mercedes-Benz is safe and secure, you can simply lock the car remotely via your PC/Mac, tablet or smartphone.

### ...your Mercedes told you when your service is due?

Being connected means essential data is constantly sent to your Mercedes-Benz Retailer so they know when it is time for a service. Your Retailer can then contact you with a tailor-made service quote.

### ...your Retailer already knows which parts need replacing?

As surprising as this sounds, with teliagnostics your Retailer can recognise remotely if certain parts are due for replacement, contacting you to book an appointment and making sure the relevant parts are in stock when you arrive, getting you back on the road as quickly as possible.

### ...you could just push a button to deal with a breakdown?

Should your car break down, with a simple press of the button everything is taken care of – from breakdown assistance to vehicle recovery.

### ...your Mercedes called for help?

Your Mercedes comes with an SOS button. Press it if you need urgent help and you will be contacted by the emergency response centre.<sup>2</sup> In the event of an accident where airbags or seatbelt tensioners have been activated, a call is placed automatically. Your GPS position is sent to the response teams to initiate rescue efforts.<sup>3</sup>

### The Mercedes that thinks and acts for you.

Contact your Retailer to get connected, or go to [www.mercedes.me](http://www.mercedes.me) for more details.

<sup>1</sup>This is available as an option in conjunction with Audio 20 CD, and standard with COMAND Online. Remote Online is standard with electric drive and plug-in hybrid. Use of the Remote Online equipment option is limited to three years from first registration of the vehicle and can then be extended at extra cost.

<sup>2</sup>A call is placed via the car's sim card, rather than the customer relying on their mobile phone.

<sup>3</sup>This feature is still available to customers without Mercedes me connect services. The customer is not required to accept the terms and conditions on the portal to activate this feature. For all other features the customer will have to accept terms and conditions on the portal to activate them.

# Mercedes-Benz Finance

## Why should you finance with Mercedes-Benz?

At Mercedes-Benz we believe a great driving experience should be matched by an equally great ownership experience. That is why we put just as much thought, time and effort into designing our finance options, our service plans and our insurance cover as we do into our vehicles.

We are not in the business of simply providing a loan to fund the purchase of your dream vehicle. We look on it as a journey that we take with you, from the moment you choose your new Mercedes-Benz, to helping you in choosing your next one.

If you would like to find out more about any of our current offers, simply call into your local Mercedes-Benz Retailer where one of our Business Managers will be more than happy to talk you through anything you need to know.

## Helping you find the right solution.

You should find our finance packages are more convenient than a traditional personal loan because:

- Funds are immediately available – no waiting for cheques or loans to clear.
- There is no security required – either against your home or other assets.
- We have clear and transparent rates – the APR we quote is the APR you get.
- We have friendly Business Managers – experts in vehicle finance who can talk you through all of your plans in detail.

One of our most popular finance products is Mercedes-Benz Agility (our Personal Contract Purchase product). We also offer Contract Hire, Operating Lease and Hire Purchase solutions. If you would like to find out more about these speak to your Retailer or visit [www.mercedes-benz.co.uk/fandi](http://www.mercedes-benz.co.uk/fandi).

## Mercedes-Benz Agility (our PCP product).

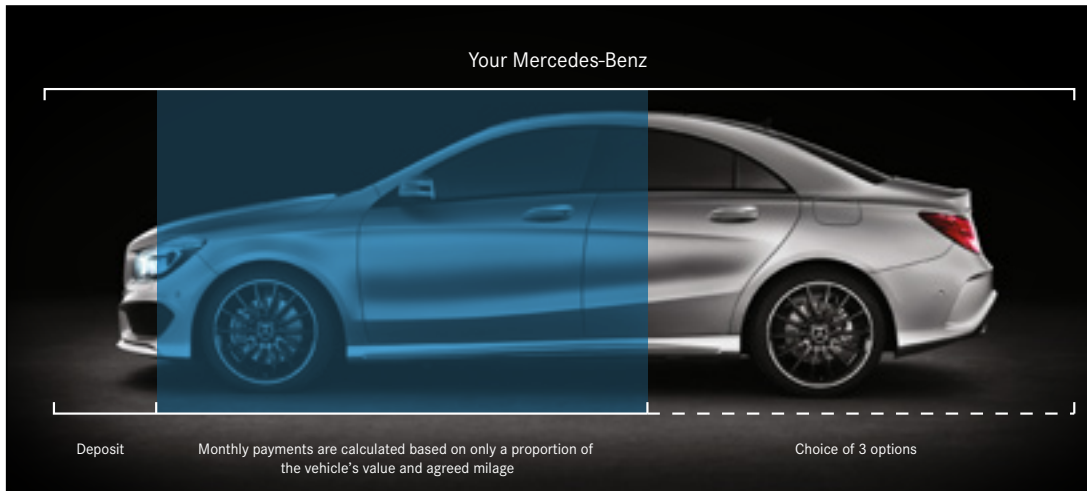
At the start of an Agility agreement, you put down a deposit and decide the term of your agreement and your annual mileage. You will be advised of the Guaranteed Future Value, which offers you the reassurance of knowing exactly what you will need to pay to own the vehicle outright in the future (this is known as the Optional Purchase Payment).

Throughout your agreement you simply pay your agreed monthly payments and when the agreement comes to an end you either purchase, hand back or part-exchange your vehicle.



### Agility features:

- Fixed regular payments mean you can easily budget.
- Payments are based only on a proportion of the vehicle's value, keeping your monthly payments lower.
- Our Guaranteed Future Value avoids the risk of unplanned depreciation of your vehicle.
- You defer your ownership decision until the end of the agreement.



### At the end of your agreement you have three options to choose from.

#### Option 1: Purchase your Mercedes-Benz.

Purchase your Mercedes-Benz by paying the Optional Purchase Payment and Purchase Activation Fee.<sup>1</sup> This will complete the purchase of your Mercedes-Benz, leaving you free to simply enjoy your vehicle.

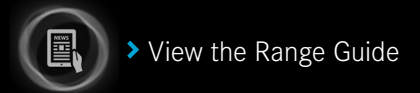
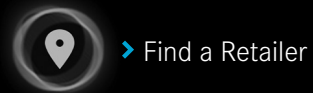
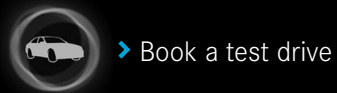
#### Option 2: Hand back your Mercedes-Benz.

If you decide to return your vehicle to us, it must be in line with our Vehicle Return Standards,\* as vehicle condition, excess mileage and other charges may be payable.


#### Option 3: Part-Exchange for a new vehicle.


Purchase your Mercedes-Benz by paying the Optional Purchase Payment and Purchase Activation Fee.<sup>1</sup> This will complete the purchase of your Mercedes-Benz, leaving you free to part-exchange for a new vehicle.


<sup>1</sup>Please note the 'Purchase Activation Fee' of £10 will be debited from your account \*To find out more information about our Vehicle Return Standards please visit <http://mercedes-benz.co.uk/vrs>




Follow us on the following social media channels:

 <https://www.facebook.com/MercedesBenzUK>

 <https://twitter.com/mercedesbenz>

 <https://www.youtube.com/mercedesbenz>

 <https://instagram.com/mercedesbenz>

Prices effective from 1 June 2016 Production for 2017 Model Year (identified by code 807).

Information correct at time of publication.

Prices and specifications are subject to change without prior notice.

MBW246PL/0616