



View offers

- > Saloon
- > Estate



Book a test drive

- > Saloon
- > Estate
- > AMG



Find a Retailer



View the Range Guide

C-Class

Saloon and Estate



Effective from 1 April 2016.

Mercedes-Benz





View offers

- > Saloon
- > Estate



Book a test drive

- > Saloon
- > Estate
- > AMG



Find a Retailer



View the Range Guide

Contents

Model prices	9	Pricing summary for model and equipment lines	38	Technical data	67
Finance offers	13	Standard equipment	40	Road Fund Licence	77
SE, Sport and AMG Line	21	Wheels	47	Services and insurance	78
Executive, Premium and Premium Plus equipment lines	27	Driving Assistance package	51	Mercedes me	79
Mercedes-AMG models	30	Optional equipment	52	Mercedes-Benz Finance	81
Premium equipment line for Mercedes-AMG models	34	Genuine Accessories	59		
Mercedes-AMG driver training	36	Colours and materials	63		



View offers

- > Saloon
- > Estate



Book a
test drive

- > Saloon
- > Estate
- > AMG



> Find a Retailer



> View the Range Guide

The hard facts to melt your heart

At Mercedes-Benz we appreciate the importance of detail. Over the following pages you'll find model prices and a breakdown of standard and optional equipment, as well as details of the comprehensive services and benefits that are available to every Mercedes-Benz driver.

See Mercedes-Benz in a new light. Now is the time to get yourself behind the wheel of a C-Class. Choose from a number of attractive finance offers. Please see pages 13-20 for further details, or visit www.mercedes-benz.co.uk/offers

Of course, some things have to be experienced to be truly appreciated, such as the qualities that set a Mercedes-Benz apart. Which is why we'd like to invite you for a test drive at your local Mercedes-Benz Retailer. Alternatively, you can make arrangements by visiting www.mercedes-benz.co.uk/testdrive

For more information visit www.mercedes-benz.co.uk or call 0333 222 0500.



View offers

- > Saloon
- > Estate



Book a test drive

- > Saloon
- > Estate
- > AMG



Find a Retailer



View the Range Guide



Model features optional equipment at an additional cost.



View offers
➤ Saloon
➤ Estate



Book a test drive
➤ Saloon
➤ Estate
➤ AMG



➤ Find a Retailer



➤ View the Range Guide



Model features optional equipment at an additional cost.



View offers

- > Saloon
- > Estate



Book a test drive

- > Saloon
- > Estate
- > AMG



Find a Retailer



View the Range Guide



Model features optional equipment at an additional cost.



View offers

- > Saloon
- > Estate



Book a test drive

- > Saloon
- > Estate
- > AMG



Find a Retailer



View the Range Guide



Model features optional equipment at an additional cost.



View offers
 > Saloon
 > Estate



Book a test drive
 > Saloon
 > Estate
 > AMG



> Find a Retailer



> View the Range Guide





View offers

- > Saloon
- > Estate



Book a test drive

- > Saloon
- > Estate
- > AMG



Find a Retailer



View the Range Guide

Model prices – Saloon

Engine	Model line	Transmission	CO ₂	Basic RRP excl. VAT (£)	Total RRP incl. VAT (£)	Road Fund Licence (£) ¹	Rec. OTR price (£) ²	P11D value (£)	BiK tax rate 2016/17 (%)
C 200 d Diesel – 1,598 cc, 4-cylinder, 136 hp/100 kW	SE	6-speed manual	101	23,925.00	28,710.00	0.00	29,380.00	29,325.00	20
		7G-TRONIC PLUS 7-speed automatic ³	111	25,175.00	30,210.00	0.00	30,880.00	30,825.00	22
	Sport	6-speed manual	101	25,587.50	30,705.00	0.00	31,375.00	31,320.00	20
		7G-TRONIC PLUS 7-speed automatic ³	111	26,837.50	32,205.00	0.00	32,875.00	32,820.00	22
	AMG Line	6-speed manual	106	26,833.33	32,200.00	0.00	32,870.00	32,815.00	21
		7G-TRONIC PLUS 7-speed automatic ³	116	28,083.33	33,700.00	0.00	34,370.00	34,315.00	23
C 220 d Diesel – 2,143 cc, 4-cylinder, 170 hp/125 kW	SE	6-speed manual	103	24,587.50	29,505.00	0.00	30,175.00	30,120.00	20
		7G-TRONIC PLUS 7-speed automatic ³	109	25,837.50	31,005.00	0.00	31,675.00	31,620.00	21
	Sport	6-speed manual	103	26,250.00	31,500.00	0.00	32,170.00	32,115.00	20
		7G-TRONIC PLUS 7-speed automatic ³	109	27,500.00	33,000.00	0.00	33,670.00	33,615.00	21
	AMG Line	6-speed manual	108	27,495.83	32,995.00	0.00	33,665.00	33,610.00	21
		7G-TRONIC PLUS 7-speed automatic ³	117	28,745.83	34,495.00	0.00	35,165.00	35,110.00	23
C 250 d Diesel – 2,143 cc, 4-cylinder, 204 hp/150 kW	SE	7G-TRONIC PLUS 7-speed automatic ³	109	26,800.00	32,160.00	0.00	32,830.00	32,775.00	21
	Sport	7GTRONIC PLUS 7-speed automatic ³	109	28,462.50	34,155.00	0.00	34,825.00	34,770.00	21
	AMG Line	7G-TRONIC PLUS 7-speed automatic ³	117	29,708.33	35,650.00	0.00	36,320.00	36,265.00	23
C 300 h Diesel – 2,143 cc, 4-cylinder, 204 hp/150 kW Electric motor – 27 hp/20 kW	SE	7G-TRONIC PLUS 7-speed automatic ³	94	28,975.00	34,770.00	0.00	35,440.00	35,385.00	15
	Sport	7G-TRONIC PLUS 7-speed automatic ³	94	30,637.50	36,765.00	0.00	37,435.00	37,380.00	15
	AMG Line	7G-TRONIC PLUS 7-speed automatic ³	100	31,883.33	38,260.00	0.00	38,930.00	38,875.00	17



View offers

- > Saloon
- > Estate



Book a test drive

- > Saloon
- > Estate
- > AMG



Find a Retailer



View the Range Guide

Model prices | Saloon

10

Engine	Model line	Transmission	CO ₂	Basic RRP excl. VAT (£)	Total RRP incl. VAT (£)	Road Fund Licence (£) ¹	Rec. OTR price (£) ²	P11D value (£)	BiK tax rate 2016/17 (%)
C 200 Petrol – 1,991cc, 4-cylinder, 184 hp/135 kW	SE	6-speed manual	123	22,495.83	26,995.00	0.00	27,665.00	27,610.00	21
		7G-TRONIC PLUS 7-speed automatic ³	123	23,745.83	28,495.00	0.00	29,165.00	29,110.00	21
	Sport	6-speed manual	123	24,158.33	28,990.00	0.00	29,660.00	29,605.00	21
		7G-TRONIC PLUS 7-speed automatic ³	123	25,408.33	30,490.00	0.00	31,160.00	31,105.00	21
	AMG Line	6-speed manual	132	25,404.17	30,485.00	130.00	31,285.00	31,100.00	23
		7G-TRONIC PLUS 7-speed automatic ³	131	26,654.17	31,985.00	130.00	32,785.00	32,600.00	23
C 350 e⁴ Petrol – 1,991cc, 4-cylinder, 211 hp/155 kW Electric motor – 82 hp/60 kW	Sport	7G-TRONIC PLUS 7-speed automatic ³	48	31,333.33	37,600.00	0.00	38,270.00	38,215.00	7

Mercedes-AMG

Mercedes-AMG C 63 Petrol – 3,982 cc, 8-cylinder, 476 hp/350 kW	–	AMG SPEEDSHIFT MCT 7-speed auto. ³	192	49,083.33	58,900.00	500.00	60,070.00	59,515.00	35
Mercedes-AMG C 63 S Petrol – 3,982 cc, 8-cylinder, 510 hp/375 kW	–	AMG SPEEDSHIFT MCT 7-speed auto. ³	192	54,708.33	65,650.00	500.00	66,820.00	66,265.00	35

¹A different first year rate of Vehicle Excise Duty (Road Fund Licence) applies for new cars. Please refer to page 77 for the relevant rate for the second and subsequent years

²Recommended on-the-road price: these prices reflect the Road Fund Licence applicable to the standard model plus £670.00 additional costs necessary to put your car on the road.

³Included are a standard UK delivery charge (£540.00 incl. VAT), new vehicle registration fee (£55.00), number plates (£25.00 incl. VAT) and fuel (£50.00 incl. VAT). VAT is calculated at the standard rate of 20%

⁴With DIRECT SELECT and SPEEDTRONIC cruise control

⁵The C 350 e currently qualifies for the Government's Plug-In Car Grant which can be deducted from the above recommended OTR price. This grant is provided by the UK Government's Office for Low Emission Vehicles (OLEV) and as such, is subject to change or removal in future depending on Government policy



Model prices – Estate

Engine	Model line	Transmission	CO ₂	Basic RRP excl. VAT (£)	Total RRP incl. VAT (£)	Road Fund Licence (£) ¹	Rec. OTR price (£) ²	P11D value (£)	BiK tax rate 2016/17 (%)
C 200 d Diesel – 1,598 cc, 4-cylinder, 136hp/100kW	SE	6-speed manual	109	24,925.00	29,910.00	0.00	30,580.00	30,525.00	21
		7G-TRONIC PLUS 7-speed automatic ³	114	26,175.00	31,410.00	0.00	32,080.00	32,025.00	22
	Sport	6-speed manual	111	26,587.50	31,905.00	0.00	32,575.00	32,520.00	22
		7G-TRONIC PLUS 7-speed automatic ³	114	27,837.50	33,405.00	0.00	34,075.00	34,020.00	22
	AMG Line	6-speed manual	117	27,833.33	33,400.00	0.00	34,070.00	34,015.00	23
		7G-TRONIC PLUS 7-speed automatic ³	121	29,083.33	34,900.00	0.00	35,570.00	35,515.00	24
C 220 d Diesel – 2,143 cc, 4-cylinder, 170hp/125 kW	SE	6-speed manual	108	25,587.50	30,705.00	0.00	31,375.00	31,320.00	21
		7G-TRONIC PLUS 7-speed automatic ³	114	26,837.50	32,205.00	0.00	32,875.00	32,820.00	22
	Sport	6-speed manual	108	27,250.00	32,700.00	0.00	33,370.00	33,315.00	21
		7G-TRONIC PLUS 7-speed automatic ³	114	28,500.00	34,200.00	0.00	34,870.00	34,815.00	22
	AMG Line	6-speed manual	113	28,495.83	34,195.00	0.00	34,865.00	34,810.00	22
		7G-TRONIC PLUS 7-speed automatic ³	119	29,745.83	35,695.00	0.00	36,365.00	36,310.00	23
C 250 d Diesel – 2,143 cc, 4-cylinder, 204 hp/150 kW	SE	7G-TRONIC PLUS 7-speed automatic ³	117	27,800.00	33,360.00	0.00	34,030.00	33,975.00	23
	Sport	7G-TRONIC PLUS 7-speed automatic ³	117	29,462.50	35,355.00	0.00	36,025.00	35,970.00	23
	AMG Line	7G-TRONIC PLUS 7-speed automatic ³	122	30,708.33	36,850.00	0.00	37,520.00	37,465.00	24
C 300 h Diesel – 2,143 cc, 4-cylinder, 204 hp/150 kW Electric motor – 27hp/20kW	Sport	7G-TRONIC PLUS 7-speed automatic ³	99	31,637.50	37,965.00	0.00	38,635.00	38,580.00	16
	AMG Line	7G-TRONIC PLUS 7-speed automatic ³	104	32,883.33	39,460.00	0.00	40,130.00	40,075.00	17



View offers

- > Saloon
- > Estate



Book a test drive

- > Saloon
- > Estate
- > AMG



Find a Retailer



View the Range Guide

Model prices | Estate

12

Engine	Model line	Transmission	CO ₂	Basic RRP excl. VAT (£)	Total RRP incl. VAT (£)	Road Fund Licence (£) ¹	Rec. OTR price (£) ²	P11D value (£)	BiK tax rate 2016/17 (%)
C 200 Petrol – 1,991cc, 4-cylinder, 184 hp/135 kW	SE	6-speed manual	128	23,495.83	28,195.00	0.00	28,865.00	28,810.00	22
		7G-TRONIC PLUS 7-speed automatic ³	128	24,745.83	29,695.00	0.00	30,365.00	30,310.00	22
	Sport	6-speed manual	128	25,158.33	30,190.00	0.00	30,860.00	30,805.00	22
		7G-TRONIC PLUS 7-speed automatic ³	128	26,408.33	31,690.00	0.00	32,360.00	32,305.00	22
	AMG Line	6-speed manual	132	26,404.17	31,685.00	130.00	32,485.00	32,300.00	23
		7G-TRONIC PLUS 7-speed automatic ³	138	27,654.17	33,185.00	130.00	33,985.00	33,800.00	24
C 350 e⁴ Petrol – 1,991cc, 4-cylinder, 211 hp/155 kW Electric motor – 82hp/60kW	Sport	7G-TRONIC PLUS 7-speed automatic ³	49	32,333.33	38,800.00	0.00	39,470.00	39,415.00	7

Mercedes-AMG

Mercedes-AMG C 63 Petrol – 3,982 cc, 8-cylinder, 476 hp/350 kW	–	AMG SPEEDSHIFT MCT 7-speed auto. ³	196	50,083.33	60,100.00	500.00	61,270.00	60,715.00	36
Mercedes-AMG C 63 S Petrol – 3,982 cc, 8-cylinder, 510 hp/375 kW	–	AMG SPEEDSHIFT MCT 7-speed auto. ³	196	55,708.33	66,850.00	500.00	68,020.00	67,465.00	36

¹A different first year rate of Vehicle Excise Duty (Road Fund Licence) applies for new cars. Please refer to page 77 for the relevant rate for the second and subsequent years

²Recommended on-the-road price: these prices reflect the Road Fund Licence applicable to the standard model plus £670.00 additional costs necessary to put your car on the road.

³Included are a standard UK delivery charge (£540.00 incl. VAT), new vehicle registration fee (£55.00), number plates (£25.00 incl. VAT) and fuel (£50.00 incl. VAT). VAT is calculated at the standard rate of 20%

⁴With DIRECT SELECT and SPEEDTRONIC cruise control

⁵The C 350 e currently qualifies for the Government's Plug-In Car Grant which can be deducted from the above recommended OTR price. This grant is provided by the UK Government's Office for Low Emission Vehicles (OLEV) and as such, is subject to change or removal in future depending on Government policy



View offers
 > Saloon
 > Estate



Book a test drive
 > Saloon
 > Estate
 > AMG



> Find a Retailer



> View the Range Guide

Mercedes-Benz Finance

As you'd expect with models of efficiency, the repayments aren't excessive



C 200 Sport Saloon with optional metallic paint (representative example)

36 monthly payments of ¹	£329.00
Customer deposit	£4,499.00
On-the-road price	£30,305.00
Retailer deposit contribution	£2,908.00
Optional purchase payment ²	£13,725.00
Amount of credit	£22,898.00
Duration of agreement	36 months
Total amount payable ³	£32,986.00
Purchase activation fee ²	£10.00
APR	4.9%
Fixed interest rate	4.80%
Excess mileage	9p per mile



View offers

- > Saloon
- > Estate



Book a test drive

- > Saloon
- > Estate
- > AMG



Find a Retailer



View the Range Guide

**Example offers –
4.9% APR Representative**

	Metallic	On-the-road price	Retailer deposit contribution	Customer deposit	36 monthly payments of ¹
C220d SE	○	£30,820.00	£2,908.00	£4,819.12	£329.00
C220d Sport Saloon	○	£32,815.00	£2,908.00	£5,235.36	£349.00
C220d AMG Line Saloon	○	£34,310.00	£2,908.00	£5,616.18	£359.00

○ Optional equipment included in the price

Mercedes-Benz Service Care

- Mercedes-Benz trained Technicians
- Maintained by Mercedes-Benz Retailers
- Meets requirements of Mercedes-Benz Agility finance agreement

Mercedes-Benz Motor Insurance

- 24/7 UK accident recovery
- We use Mercedes-Benz GenuineParts
- To qualify for up to 10% discount online, go to www.mercedes-benz.co.uk/motorinsurance
- Alternatively, call Mercedes-Benz Motor Insurance now on **0345 600 2180⁴** for an annual quote

We may decline to quote in some circumstances. Mercedes-Benz Motor Insurance is underwritten by Aviva Insurance Limited

Content relating to finance is promoted by Mercedes-Benz Finance. Your Retailer may offer finance on behalf of other companies.

Orders/credit approvals on selected C-Class Saloon models only, between 1 April and 30 June 2016, registered by 30 September 2016; excluding Mercedes-AMG C 63 models. Some combinations of features/options may not be available. Please contact your local Mercedes-Benz Retailer for availability

¹Based on a Mercedes-Benz Agility agreement. Vehicle condition, excess mileage and other charges may be payable. Quotations available on request for alternative contract lengths and mileages.

Guarantees may be required. Credit provided, subject to status, by Mercedes-Benz Finance, MK15 8BA

²Payable if you exercise the option to purchase the car

³Includes optional purchase payment, purchase activation fee and Retailer deposit contribution (where applicable)

⁴Calls are charged at local rate and may be recorded



View offers

- > Saloon
- > Estate



Book a test drive

- > Saloon
- > Estate
- > AMG



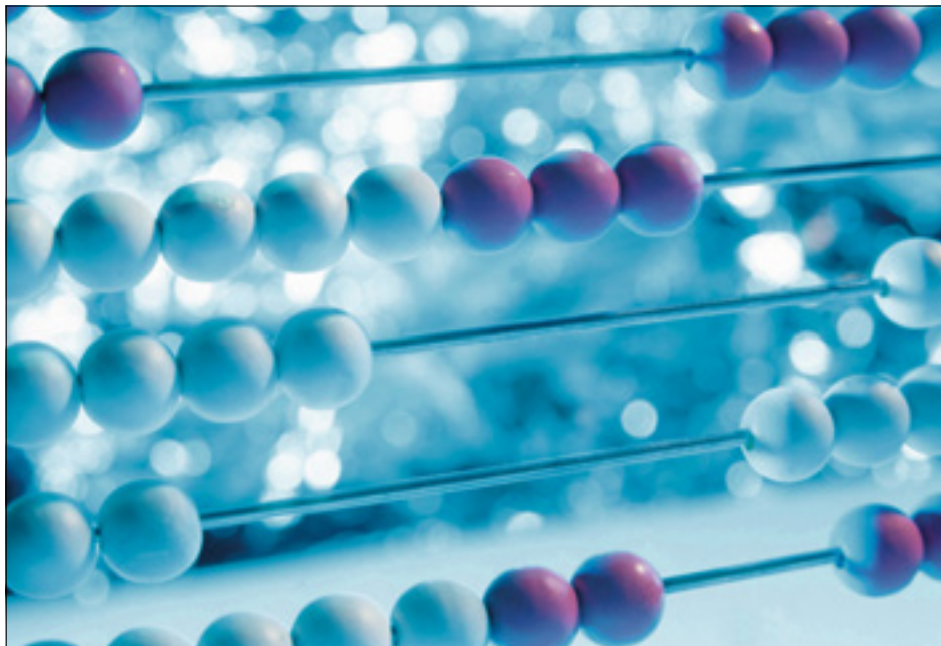
Find a Retailer



View the Range Guide

Mercedes-Benz Finance

It comes with a specification list worth exploring



Mercedes-AMG C 63 Saloon with automatic transmission and optional metallic paint (representative example)

36 monthly payments of ¹	£749.00
Customer deposit	£7,499.00
On-the-road price	£60,715.00
Retailer deposit contribution	£2,893.32
Optional purchase payment ²	£28,900.00
Amount of credit	£50,322.68
Duration of agreement	36 months
Total amount payable ³	£66,266.32
Purchase activation fee ²	£10.00
APR	4.7%
Fixed interest rate	4.60%
Excess mileage	9p per mile



View offers

- > Saloon
- > Estate



Book a test drive

- > Saloon
- > Estate
- > AMG



Find a Retailer



View the Range Guide

Example offers – 4.7% APR Representative

	Automatic	Metallic	On-the-road price	Retailer deposit contribution	Customer deposit	36 monthly payments of ¹
Mercedes-AMG C 63 Saloon	●	○	£60,715.00	£2,893.32	£7,499.00	£749.00

● Standard equipment ○ Optional equipment included in the price

Mercedes-Benz Service Care

- Mercedes-Benz trained Technicians
- Maintained by Mercedes-Benz Retailers
- Meets requirements of Mercedes-Benz Agility finance agreement

Mercedes-Benz Motor Insurance

- 24/7 UK accident recovery
- We use Mercedes-Benz GenuineParts
- To qualify for up to 10% discount online, go to www.mercedes-benz.co.uk/motorinsurance
- Alternatively, call Mercedes-Benz Motor Insurance now on **0345 600 2180**⁴ for an annual quote

We may decline to quote in some circumstances. Mercedes-Benz Motor Insurance is underwritten by Aviva Insurance Limited

Content relating to finance is promoted by Mercedes-Benz Finance. Your Retailer may offer finance on behalf of other companies.

Orders/credit approvals on Mercedes-AMG C 63 Saloon models only, between 1 April and 30 June 2016, registered by 30 September 2016; excluding non-Mercedes-AMG models. Some combinations of features/options may not be available. Please contact your local Mercedes-Benz Retailer for availability

¹Based on a Mercedes-Benz Agility agreement. Vehicle condition, excess mileage and other charges may be payable. Quotations available on request for alternative contract lengths and mileages.

Guarantees may be required. Credit provided, subject to status, by Mercedes-Benz Finance, MK15 8BA

²Payable if you exercise the option to purchase the car

³Includes optional purchase payment, purchase activation fee and Retailer deposit contribution (where applicable)

⁴Calls are charged at local rate and may be recorded



View offers

- > Saloon
- > Estate



Book a test drive

- > Saloon
- > Estate
- > AMG



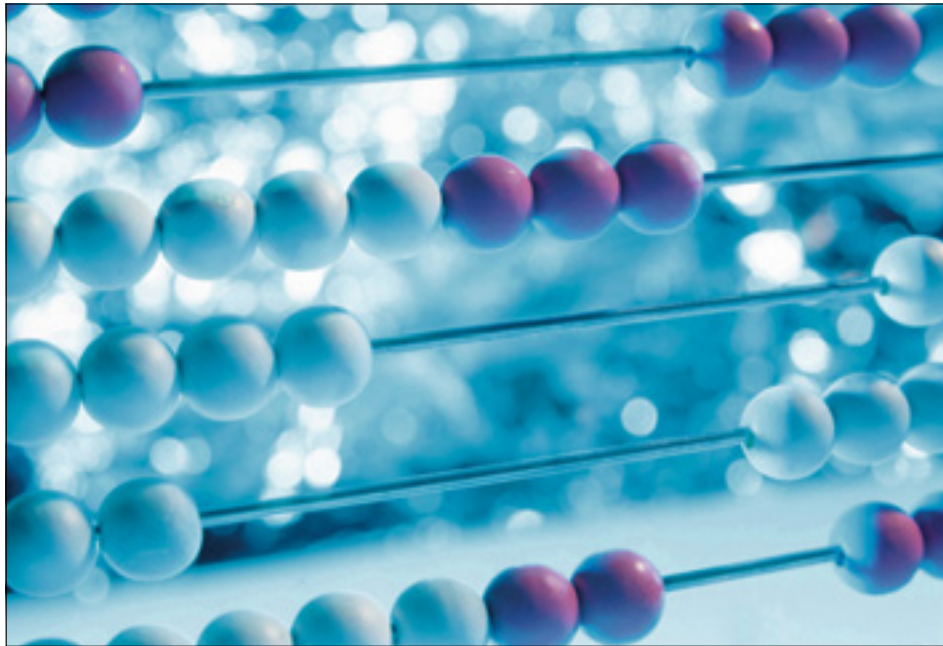
> Find a Retailer



> View the Range Guide

Mercedes-Benz Finance

Where the clever money goes



C 200 Sport Estate with optional metallic paint (representative example)

36 monthly payments of ¹	£329.00
Customer deposit	£5,499.00
On-the-road price	£31,505.00
Retailer deposit contribution	£2,501.71
Optional purchase payment ²	£14,425.00
Amount of credit	£23,504.29
Duration of agreement	36 months
Total amount payable ³	£34,279.71
Purchase activation fee ²	£10.00
APR	4.9%
Fixed interest rate	4.80%
Excess mileage	9p per mile



View offers

- > Saloon
- > Estate



Book a test drive

- > Saloon
- > Estate
- > AMG



Find a Retailer



View the Range Guide

**Example offers –
4.9% APR Representative**

	Metallic	On-the-road price	Retailer deposit contribution	Customer deposit	36 monthly payments of ¹
C220 d Sport Estate	○	£34,015.00	£2,501.71	£6,040.48	£349.00
C220 d AMG Line Estate	○	£35,510.00	£2,501.71	£6,399.64	£359.00

○ Optional equipment included in the price

Mercedes-Benz Service Care

- Mercedes-Benz trained Technicians
- Maintained by Mercedes-Benz Retailers
- Meets requirements of Mercedes-Benz Agility finance agreement

Mercedes-Benz Motor Insurance

- 24/7 UK accident recovery
- We use Mercedes-Benz GenuineParts
- To qualify for up to 10% discount online, go to www.mercedes-benz.co.uk/motorinsurance
- Alternatively, call Mercedes-Benz Motor Insurance now on **0345 600 2180⁴** for an annual quote

We may decline to quote in some circumstances. Mercedes-Benz Motor Insurance is underwritten by Aviva Insurance Limited

Content relating to finance is promoted by Mercedes-Benz Finance. Your Retailer may offer finance on behalf of other companies.

Orders/credit approvals on selected C-Class Estate models only, between 1 April and 30 June 2016, registered by 30 September 2016; excluding Mercedes-AMG C63 models. Some combinations of features/options may not be available. Please contact your local Mercedes-Benz Retailer for availability

¹Based on a Mercedes-Benz Agility agreement. Vehicle condition, excess mileage and other charges may be payable. Quotations available on request for alternative contract lengths and mileages.

Guarantees may be required. Credit provided, subject to status, by Mercedes-Benz Finance, MK15 8BA

²Payable if you exercise the option to purchase the car

³Includes optional purchase payment, purchase activation fee and Retailer deposit contribution (where applicable)

⁴Calls are charged at local rate and may be recorded



View offers

- > Saloon
- > Estate



Book a test drive

- > Saloon
- > Estate
- > AMG



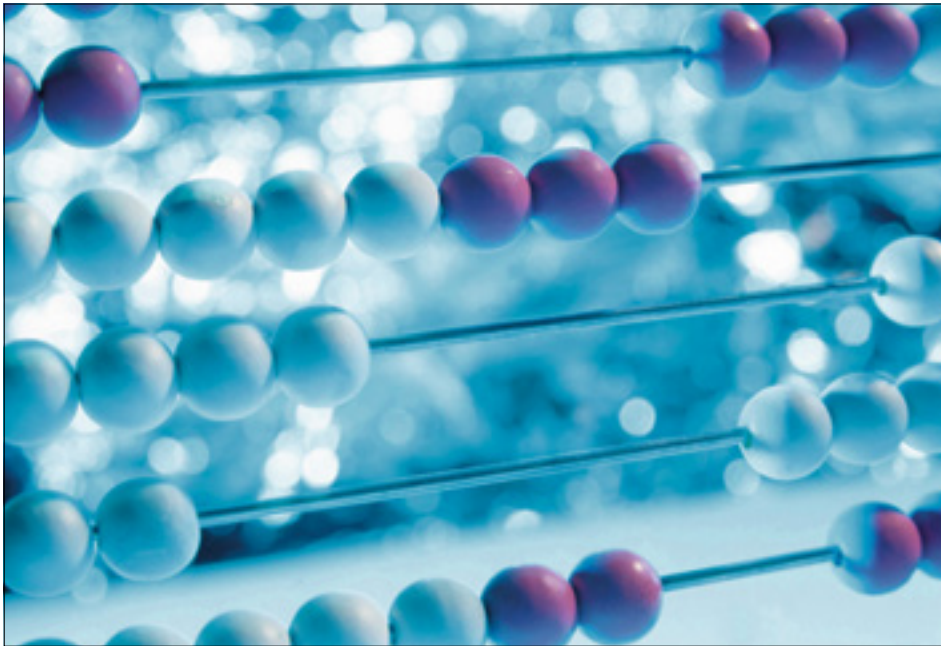
Find a Retailer



View the Range Guide

Mercedes-Benz Finance

Even the finance offer is beautifully put together



Mercedes-AMG C 63 Estate with automatic transmission and optional metallic paint (representative example)

36 monthly payments of ¹	£749.00
Customer deposit	£7,499.00
On-the-road price	£61,915.00
Retailer deposit contribution	£2,946.31
Optional purchase payment ²	£29,950.00
Amount of credit	£51,469.69
Duration of agreement	36 months
Total amount payable ³	£67,369.31
Purchase activation fee ²	£10.00
APR	4.5%
Fixed interest rate	4.40%
Excess mileage	9p per mile



View offers

- > Saloon
- > Estate



Book a test drive

- > Saloon
- > Estate
- > AMG



Find a Retailer



View the Range Guide

Example offers – 4.5% APR Representative

	Automatic	Metallic	On-the-road price	Retailer deposit contribution	Customer deposit	36 monthly payments of ¹
Mercedes-AMG C 63 Estate	●	○	£61,915.00	£2,946.31	£7,499.00	£749.00

● Standard equipment ○ Optional equipment included in the price

Mercedes-Benz Service Care

- Mercedes-Benz trained Technicians
- Maintained by Mercedes-Benz Retailers
- Meets requirements of Mercedes-Benz Agility finance agreement

Mercedes-Benz Motor Insurance

- 24/7 UK accident recovery
- We use Mercedes-Benz GenuineParts
- To qualify for up to 10% discount online, go to www.mercedes-benz.co.uk/motorinsurance
- Alternatively, call Mercedes-Benz Motor Insurance now on **0345 600 2180⁴** for an annual quote

We may decline to quote in some circumstances. Mercedes-Benz Motor Insurance is underwritten by Aviva Insurance Limited

Content relating to finance is promoted by Mercedes-Benz Finance. Your Retailer may offer finance on behalf of other companies.

Orders/credit approvals on Mercedes-AMG C 63 Estate models only, between 1 April and 30 June 2016, registered by 30 September 2016; excluding non-Mercedes-AMG models. Some combinations of features/options may not be available. Please contact your local Mercedes-Benz Retailer for availability

¹Based on a Mercedes-Benz Agility agreement. Vehicle condition, excess mileage and other charges may be payable. Quotations available on request for alternative contract lengths and mileages.

Guarantees may be required. Credit provided, subject to status, by Mercedes-Benz Finance, MK15 8BA

²Payable if you exercise the option to purchase the car

³Includes optional purchase payment, purchase activation fee and Retailer deposit contribution (where applicable)

⁴Calls are charged at local rate and may be recorded



View offers
➤ Saloon
➤ Estate



Book a test drive
➤ Saloon
➤ Estate
➤ AMG



➤ Find a Retailer



➤ View the Range Guide

C-Class SE





View offers

- > Saloon
- > Estate



Book a test drive

- > Saloon
- > Estate
- > AMG



Find a Retailer



View the Range Guide

More dynamic, more stylish, more rewarding: the C-Class SE is stacked with high-end technology as standard, including a reversing camera, a multi-touch control touchpad and DYNAMIC SELECT, which allows you to choose between five individual driving modes: Comfort, ECO, Sport, Sport+

and Individual. In other words, the C-Class SE has everything to create true driving pleasure. To match the dynamic exterior, the SE is also fitted with black ARTICO leather¹ and high-gloss black trim for a stylish atmosphere inside the cabin.



Exterior

16" alloy wheels - multi-spoke design
AGILITY CONTROL comfort suspension
COLLISION PREVENTION ASSIST PLUS
Direct-Steer speed-sensitive steering
DYNAMIC SELECT with a choice of five driving modes
EASY-PACK automatic powered tailgate (Estate only)
Headlamps - halogen with integral LED daytime running lamps
Rain-sensing windscreen wipers
Reversing camera
Roof rails - black (Estate only)
SPEEDTRONIC cruise control
Tyre pressure monitoring system

Interior

Seat Comfort package - driver and front passenger seat Electro-pneumatic four-way lumbar support and manual seat cushion depth adjustment (6 cm)
Audio 20 CD with 7-inch colour display
Black steering wheel gearshift paddles (automatic transmission only)
DAB digital radio tuner
Double cup holder
Media Interface
Pre-wiring for Garmin® MAP PILOT navigation system
Rear seats - split folding 40:20:40 (Estate only)
Steering wheel - 3-spoke multi-function steering wheel, trimmed in leather
Touchpad with multi-touch control

Trim and Upholstery

High-gloss black	Black ARTICO leather ¹
	

¹Man-made leather



View offers
▶ Saloon
▶ Estate



Book a test drive
▶ Saloon
▶ Estate
▶ AMG



▶ Find a Retailer



▶ View the Range Guide

C-Class Sport





View offers

- > Saloon
- > Estate



Book a test drive

- > Saloon
- > Estate
- > AMG



Find a Retailer



View the Range Guide

The Sport is fitted with 17" alloy wheels and LED High Performance headlamps to emphasise the dynamic appearance of this C-Class. There's plenty of high tech to marvel at, too: heated front seats, Garmin® MAP PILOT navigation system and Active Parking Assist including PARKTRONIC are all standard. To complete the sport styling, choose between black, crystal grey or silk beige ARTICO leather¹ upholstery combined with the high-gloss centre console and brushed aluminium trim on the doors and dashboard.

Sport upgrade – designed and priced as a package, including all SE equipment plus additional items as listed below.

Upgrade price (from SE)

Total incl. VAT² £1,995.00

Exterior

Mirror package – electrically folding mirrors and automatically dimming exterior driver's mirror and rear-view mirror

17" alloy wheels – 5-twin-spoke design

Active Parking Assist including PARKTRONIC

AGILITY CONTROL comfort suspension – lowered by 15 mm

AIRMATIC suspension (C 350 e only)

Headlamps – LED High Performance headlamps with integral LED daytime running lamps

Roof rails – chrome (Estate only)

Interior

Interior Lighting package – lighting of footwells, door handle recesses, as well as rear reading lamps (LED) and courtesy lamps in all doors

Black steering wheel gearshift paddles (automatic transmission only)

Garmin® MAP PILOT navigation system

Heated front seats

Sports seats in ARTICO leather¹

Steering wheel – 3-spoke multi-function steering wheel in nappa leather with trim in silver chrome and perforated leather in grip area

Trim and Upholstery

High-gloss black with aluminium

Black ARTICO leather¹

Crystal grey ARTICO leather¹

Silk beige ARTICO leather¹

¹Man-made leather ²Recommended Retail Price: this price will vary according to engine chosen, due to Road Fund Licence



View offers
 > Saloon
 > Estate



Book a test drive
 > Saloon
 > Estate
 > AMG



> Find a Retailer



> View the Range Guide

C-Class AMG Line



Images feature optional equipment line (code DP1)



View offers

- > Saloon
- > Estate



Book a test drive

- > Saloon
- > Estate
- > AMG



Find a Retailer



View the Range Guide

Performance experts AMG have given the C-Class AMG Line an even sportier design edge, starting with AMG bodystyling and 18" AMG alloy wheels. The interior features AMG sports pedals in brushed stainless steel and black ash wood trim. Sports suspension and Sports Direct-Steer system also come as standard on the AMG Line.

AMG Line upgrade – designed and priced as a package, including all Sport equipment plus additional items as listed below.

Upgrade price (from Sport)

Total incl. VAT² £1,495.00

Exterior

18" AMG alloy wheels – 5-spoke design, painted titanium grey

AMG bodystyling – front apron, rear apron and side skirts

Sports braking system with perforated front brake discs

Sports Direct-Steer system with speed-sensitive steering

Sports suspension

Analogue clock (automatic transmission only)

Floor mats – black with 'AMG' lettering

Silver steering wheel gearshift paddles (automatic transmission only)

Steering wheel – 3-spoke multi-function AMG steering wheel in black nappa leather with flattened bottom section, chrome inserts and perforated leather in grip area

Interior

AMG sports pedals in brushed stainless steel with rubber studs

AMG sports seats in ARTICO leather¹

Trim and Upholstery

Black ash wood

Black ARTICO leather¹



¹Man-made leather ²Recommended Retail Price: this price will vary according to engine chosen, due to Road Fund Licence



View offers

- > Saloon
- > Estate



Book a test drive

- > Saloon
- > Estate
- > AMG



Find a Retailer



View the Range Guide

Executive equipment line



Garmin® MAP PILOT navigation system

The Executive equipment line is designed exclusively for the SE, to let you enjoy each journey that little bit more. It includes Active Parking Assist including PARKTRONIC, the highly sophisticated Garmin® MAP PILOT navigation system, heated front seats and either split-folding rear seats (Saloon) or chrome roof rails (Estate).

Executive equipment line – designed and priced as a package, including items as listed below.

SE only

Total incl. VAT £1,295.00

Executive equipment line (code DP3)

Active Parking Assist including PARKTRONIC

Garmin® MAP PILOT navigation system

Operation via controller, touchpad or voice control. SD card navigation with instructions shown on 7-inch high-resolution colour display in the instrument cluster. Includes 3D views with visualisation of roads and buildings as well as junction and lane assistants, making it easy for drivers to orientate themselves. Spoken instructions are emitted through vehicle's built-in speakers. Software and map can be updated online

Heated front seats

Rear seats – split folding 40:20:40 (Saloon only)

Roof rails – chrome (Estate only)



View offers
 > Saloon
 > Estate



Book a test drive
 > Saloon
 > Estate
 > AMG



> Find a Retailer



> View the Range Guide

Premium and Premium Plus equipment lines



Ambient lighting



KEYLESS-GO Comfort package



Memory package



Panoramic glass sunroof



Burmester® surround sound system controls



COMAND Online system



View offers

- > Saloon
- > Estate



Book a test drive

- > Saloon
- > Estate
- > AMG



Find a Retailer



View the Range Guide

Why not look over our equipment packages to enhance and personalise your choice of new car? If you want to increase your comfort and add the best in entertainment to the Sport and AMG Line, the Premium equipment lines do just that. The Premium equipment line features ambient lighting; the KEYLESS-GO Comfort package for effortless entry, exit and starting; the Memory package for the front seats; and a panoramic glass sunroof to

brighten up the cabin. The Premium Plus equipment line contains the same features as the Premium equipment line, plus the highly sophisticated Burmester® surround sound system and COMAND Online¹ with an 8.4-inch high-resolution colour display, navigation with 3D map display and internet connectivity. Both the Premium and Premium Plus equipment lines are only available with automatic transmission.

Item	Notes	Premium £1,695.00 ^{2,3} (code DP0)	Premium Plus £2,995.00 ^{2,3} (code DP1)
Ambient lighting	LED lighting located in door trim, side of centre console, front door sills, cup holders, footwells, door handle recesses and overhead panel. Five dimming levels and three colours: solar (amber), polar (ice blue) and neutral (white)	■	■
KEYLESS-GO Comfort package	Offering hands-free access, automatic powered boot closing, keyless entry and keyless start. Includes chrome trim on top half of door handles	■	■
Memory package	Driver's seat, front passenger seat, steering column and exterior mirrors – electrically adjustable with memory	■	■
Panoramic glass sunroof	Consisting of a fixed panoramic glass rear section and an electrically operated sliding glass front section, the glass roof provides additional light and ventilation into the car	■	■
Burmester® surround sound system	13 speakers and a 9-channel amplifier with total output of 590 W (7 × 50 W and 2 × 120 W)	–	■
COMAND Online system ¹	8.4-inch high-resolution colour display, hard disk drive (HDD) navigation with 3D map display, Live Traffic Information and European map data updates free of charge for the first three years. Single CD/DVD, Speed Limit Assist and LINGUATRONIC voice control. Mercedes me connect services, emergency call system (eCall) and access to internet sites when vehicle is stationary, plus unrestricted use of Mercedes-Benz apps (internet-enabled mobile phone required). Integrated WLAN hotspot for onboard access of WLAN-enabled devices. Also includes Mercedes me Remote Online services ⁴ and 10GB music register and MP3 compatibility	–	■

■ Included – Not included ¹COMAND Online functionality and Wi-Fi connectivity is dependent on a compatible cellular data connection. Please check with your local Mercedes-Benz Retailer on network compatibility ²Including VAT ³On C350 e Estate only in conjunction with 18" alloy wheels (code 22R) ⁴Please see page 50 for details



View offers
 > Saloon
 > Estate



Book a test drive
 > Saloon
 > Estate
 > AMG



> Find a Retailer



> View the Range Guide

Mercedes-AMG C 63



Optional brilliant blue metallic paint (code 896) and Driving Assistance package (code DP2)



View offers

- > Saloon
- > Estate



Book a test drive

- > Saloon
- > Estate
- > AMG



Find a Retailer



View the Range Guide

The Mercedes-AMG C 63 combines race-honed technology with dramatic and highly individual style. Its sporty lines are made even more eye-catching by the AMG-specific grille, an AMG-specific bonnet with powerdomes, and AMG bodystyling comprising front and rear aprons plus side skirts. The AMG sports exhaust system's two sets of twin tailpipes provide a further clue to the power of the exhilarating V8 engine. 18" 5-spoke AMG alloy wheels painted in titanium grey and featuring a high-sheen finish come as standard.

Exterior

- 18" AMG 5-spoke alloy wheels, painted titanium grey with high-sheen finish
- AMG bodystyling - front apron and splitter in body colour, bonnet, side skirts, fenders and rear diffuser-style apron design
- AMG boot lid spoiler in body colour
- AMG mechanical rear axle differential lock
- Anti-lock braking system (ABS)
- Brake calipers - silver
- Headlamps - LED High Performance headlamps with integral LED daytime running lamps
- SPEEDTRONIC cruise control with variable speed limiter
- 'V8 BITURBO' lettering on front wings

Stylish, sporty and highly exclusive, the interior of the Mercedes-AMG C 63 feels instantly special. Its supportive AMG sports seats are upholstered in nappa leather. The flat-rimmed AMG steering wheel features tactile nappa leather, and there's an ergonomic AMG-specific instrument panel with colour display and AMG start-up screen. Eye-catching brushed stainless steel sports pedals also come as standard.

Interior

- Ambient lighting - five dimming levels and three colours
- AMG instrument cluster
- AMG sports seats with nappa leather upholstery
- Load compartment cover (Estate only)
- Rear seats - split folding 40:20:40
- Seat belts - black
- Steering wheel - 3-spoke multi-function AMG performance steering wheel in nappa leather

Trim and Upholstery

- | | |
|--------------------------------|----------------------------|
| High-gloss back with aluminium | Nappa leather - black |
| Nappa leather - platinum white | Nappa leather - red pepper |



View offers
 > Saloon
 > Estate



Book a test drive
 > Saloon
 > Estate
 > AMG



> Find a Retailer



> View the Range Guide

Mercedes-AMG C 63 S



Optional LED Intelligent Light System (code 641), designo diamond white metallic paint (code 799) and Driving Assistance package (code DP2)



View offers

- > Saloon
- > Estate



Book a test drive

- > Saloon
- > Estate
- > AMG



Find a Retailer



View the Range Guide

The Mercedes-AMG C 63 S is an even more dynamic, expressive and exclusive version of the Mercedes-AMG C 63. The excellent performance and agility of the AMG 4-litre V8 engine have been uprated by 34 hp to achieve a further enhancement to acceleration. The special dynamism of

the Mercedes-AMG C 63 S is also reflected in sporty exterior and interior highlights – from the 19" AMG 5-twin-spoke alloy wheels painted in titanium grey, to the AMG Performance seats and AMG performance steering wheel in black nappa leather/DINAMICA microfibre.





Exterior

- 19" AMG 5-twin-spoke alloy wheels, painted titanium grey with high-sheen finish
- AMG bodystyling – front apron in high-gloss black with splitter in silver shadow, bonnet, side skirts, fenders and rear diffuser-style apron design
- AMG boot lid spoiler in body colour
- AMG electronic rear axle differential lock
- Anti-lock braking system (ABS)
- Brake calipers – red
- Headlamps – LED High Performance headlamps with integral LED daytime running lamps
- SPEEDTRONIC cruise control with variable speed limiter
- 'V8 BITURBO' lettering on front wings

Interior

- Ambient lighting – five dimming levels and three colours
- AMG instrument cluster
- AMG Performance seats
- Load compartment cover (Estate only)
- Mercedes-AMG C 63 S badging at the rear
- Rear seats – split folding 40:20:40
- Seat belts – crystal grey
- Steering wheel – multi-function AMG performance steering wheel in black nappa leather/DINAMICA microfibre

Trim and Upholstery

- | | |
|--|---|
| High-gloss black with aluminium | Nappa leather – black |
|  |  |
| Nappa leather – platinum white | Nappa leather – red pepper |
|  |  |



View offers

- > Saloon
- > Estate



Book a test drive

- > Saloon
- > Estate
- > AMG



Find a Retailer



View the Range Guide

Premium equipment line for Mercedes-AMG models



KEYLESS-GO Comfort package



Burmester® surround sound system



LED Intelligent Light System



Panoramic glass sunroof



View offers

- > Saloon
- > Estate



Book a test drive

- > Saloon
- > Estate
- > AMG



Find a Retailer



View the Range Guide

If you want to increase your comfort and add the best in entertainment to the Mercedes-AMG C 63/S Saloon or Estate, the Premium equipment line does just that. Designed and priced as a package, including items listed below.

Item	Notes	Premium £2,595.00 ¹ (code DPO)
Exclusive package	ARTICO leather ² dashboard and door beltlines in nappa leather look with contrast stitching	■
KEYLESS-GO Comfort package	Including hands-free access, automatic powered boot closing, keyless entry and keyless start. Includes chrome trim on top half of door handles	■
Burmester® surround sound system	13 speakers and a 9-channel amplifier with total output of 590 W (7 × 50 W and 2 × 120 W)	■
LED Intelligent Light System	LED High Performance headlamps, including Active Light System, cornering light function and Adaptive Highbeam Assist	■
Panoramic electric glass sunroof	Consisting of a fixed panoramic glass rear section and electrically operated sliding glass front section	■



View offers

> Saloon

> Estate



Book a test drive

> Saloon

> Estate

> AMG



> Find a Retailer



> View the Range Guide

Exclusive driver training for Mercedes-AMG owners

All Mercedes-AMG customers are invited to a complimentary AMG Driving Academy Training experience at Mercedes-Benz World.



With friendly one-to-one tuition from a professional Mercedes-AMG driver, your training will be personalised to you. You'll push Mercedes-AMG driving performance and your driving skills to the limits on our track and purpose-built low friction dynamic handling facilities.

Through high-speed and adrenaline-fuelled exercises you'll experience oversteer, understeer, slaloms and many more performance driving skills. Designed as part of your ownership experience, this will lay the foundations to master a high-performance vehicle, develop driving skills with maximum enjoyment and prepare you to take full command of your own Mercedes-AMG.

TERMS AND CONDITIONS

The following only are eligible: the first purchaser/registered keeper of a newly-registered Mercedes-AMG; the second owner/registered keeper of a Mercedes-AMG purchased from a Mercedes-Benz Retailer, where the vehicle is less than 90 days from registration. The AMG Driving Academy Training experience is the AMG BASIC-Training as detailed in the further information above and must be booked and taken within six months of delivery of your Mercedes-AMG; it cannot be exchanged and cannot be transferred for any other driving experience. The Training experience is available Monday to Friday only and is subject to availability. Mercedes-Benz UK Limited reserves the right to amend or withdraw this Training experience. Attendees must hold a full UK driving licence. Attendees will be required to sign the Mercedes-Benz World Driving Risk Acknowledgement prior to undertaking the Training experience. The Training experience is also subject to the Mercedes-Benz World Terms and Conditions, as applicable.



View offers

- > Saloon
- > Estate



Book a test drive

- > Saloon
- > Estate
- > AMG



Find a Retailer



View the Range Guide





View offers

- > Saloon
- > Estate



Book a test drive

- > Saloon
- > Estate
- > AMG



Find a Retailer



View the Range Guide

Pricing summary for model and equipment lines

Model	Transmission	Recommended OTR price (£) ¹									
		SE	SE Executive	Sport	Sport Premium	Sport Premium Plus	AMG Line	AMG Line Premium	AMG Line Premium Plus	Mercedes-AMG	Mercedes-AMG Premium
Saloon											
C 200 d	6-speed manual	29,380.00	30,675.00	31,375.00	-	-	32,870.00	-	-	-	-
	7G-TRONIC PLUS 7-speed auto.	30,880.00	32,175.00	32,875.00	34,570.00	35,870.00	34,370.00	36,065.00	37,365.00	-	-
C 220 d	6-speed manual	30,175.00	31,470.00	32,170.00	-	-	33,665.00	-	-	-	-
	7G-TRONIC PLUS 7-speed auto.	31,675.00	32,970.00	33,670.00	35,365.00	36,665.00	35,165.00	36,860.00	38,160.00	-	-
C 250 d	7G-TRONIC PLUS 7-speed auto.	32,830.00	34,125.00	34,825.00	36,520.00	37,820.00	36,320.00	38,015.00	39,315.00	-	-
C 300 h	7G-TRONIC PLUS 7-speed auto.	35,440.00	36,735.00	37,435.00	39,130.00	40,430.00	38,930.00	40,625.00	41,925.00	-	-
C 200											
C 200	6-speed manual	27,665.00	28,960.00	29,660.00	-	-	31,285.00	-	-	-	-
	7G-TRONIC PLUS 7-speed auto.	29,165.00	30,460.00	31,160.00	32,855.00	34,155.00	32,785.00	34,480.00	35,780.00	-	-
C 350 e³	7G-TRONIC PLUS 7-speed auto.	-	-	38,270.00	39,965.00	41,265.00	-	-	-	-	-
Mercedes-AMG C 63	AMG SPEEDSHIFT MCT 7-speed auto.	-	-	-	-	-	-	-	-	60,070.00	62,665.00
Mercedes-AMG C 63 S	AMG SPEEDSHIFT MCT 7-speed auto.	-	-	-	-	-	-	-	-	66,820.00	69,415.00

¹Recommended on-the-road price: these prices reflect the Road Fund Licence applicable to the standard model plus £670.00 additional costs necessary to put your car on the road.

²Included are a standard UK delivery charge (£540.00 incl. VAT), new vehicle registration fee (£55.00), number plates (£25.00 incl. VAT) and fuel (£50.00 incl. VAT). VAT is calculated at the standard rate of 20%

³For C 350 e Sport Estate OTR price includes additional cost of £595.00 for 18" alloy wheels (code 22R)

⁴The C 350 e currently qualifies for the Government's Plug-In Car Grant which can be deducted from the above recommended OTR price. This grant is provided by the UK Government's Office for Low Emission Vehicles (OLEV) and as such, is subject to change or removal in future depending on Government policy



View offers

➤ Saloon

➤ Estate

Book a
test drive

➤ Saloon

➤ Estate

➤ AMG



➤ Find a Retailer



➤ View the Range Guide

Pricing summary for model and equipment lines

39

Model	Transmission	Recommended OTR price (£) ¹										
		SE	SE Executive	Sport	Sport Premium ²	Sport Premium Plus ²	AMG Line	AMG Line Premium	AMG Line Premium Plus	Mercedes-AMG	Mercedes-AMG Premium	
Estate												
	C 200 d	6-speed manual	30,580.00	31,875.00	32,575.00	-	-	34,070.00	-	-	-	-
		7G-TRONIC PLUS 7-speed auto.	32,080.00	33,375.00	34,075.00	35,770.00	37,070.00	35,570.00	37,265.00	38,565.00	-	-
C 220 d	6-speed manual	31,375.00	32,670.00	33,370.00	-	-	34,865.00	-	-	-	-	-
		7G-TRONIC PLUS 7-speed auto.	32,875.00	34,170.00	34,870.00	36,565.00	37,865.00	36,365.00	38,060.00	39,360.00	-	-
C 250 d	7G-TRONIC PLUS 7-speed auto.	34,030.00	35,325.00	36,025.00	37,720.00	39,020.00	37,520.00	39,215.00	40,515.00	-	-	
C 300 h	7G-TRONIC PLUS 7-speed auto.	-	-	38,635.00	40,330.00	41,630.00	40,130.00	41,825.00	43,125.00	-	-	
C 200	6-speed manual	28,865.00	30,160.00	30,860.00	-	-	32,485.00	-	-	-	-	-
		7G-TRONIC PLUS 7-speed auto.	30,365.00	31,660.00	32,360.00	34,055.00	35,355.00	33,985.00	35,680.00	36,980.00	-	-
C 350 e³	7G-TRONIC PLUS 7-speed auto.	-	-	39,470.00	41,760.00	43,060.00	-	-	-	-	-	-
Mercedes-AMG C 63	AMG SPEEDSHIFT MCT 7-speed auto.	-	-	-	-	-	-	-	-	-	61,270.00	63,865.00
Mercedes-AMG C 63 S	AMG SPEEDSHIFT MCT 7-speed auto.	-	-	-	-	-	-	-	-	-	68,020.00	70,615.00

¹Recommended on-the-road price: these prices reflect the Road Fund Licence applicable to the standard model plus £670.00 additional costs necessary to put your car on the road.

²Included are a standard UK delivery charge (£540.00 incl. VAT), new vehicle registration fee (£55.00), number plates (£25.00 incl. VAT) and fuel (£50.00 incl. VAT). VAT is calculated at the standard rate of 20%

³For C 350 e Sport Estate OTR price includes additional cost of £595.00 for 18" alloy wheels (code 22R)

⁴The C 350 e currently qualifies for the Government's Plug-In Car Grant which can be deducted from the above recommended OTR price. This grant is provided by the UK Government's Office for Low Emission Vehicles (OLEV) and as such, is subject to change or removal in future depending on Government policy



View offers
 > Saloon
 > Estate



Book a test drive
 > Saloon
 > Estate
 > AMG



> Find a Retailer



> View the Range Guide

Standard equipment - C 350 e



AIRMATIC suspension



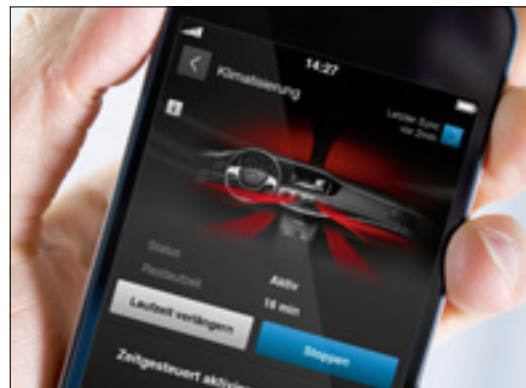
Plug-in charging port in rear bumper



Mode 2 and mode 3 charging cables included



Driving and operating mode selection



Pre-entry climate control, part of Mercedes connect me services



Visible twin-pipe exhaust trim integrated into rear bumper



View offers

- > Saloon
- > Estate



Book a test drive

- > Saloon
- > Estate
- > AMG



Find a Retailer



View the Range Guide

Standard equipment

41

Item	SE	Sport	C350e Sport	AMG Line	Mercedes-AMG C 63	Mercedes-AMG C 63 S
Steering, Suspension and Transmission						
AMG electronic rear axle differential lock	-	-	-	-	-	●
AMG mechanical rear axle differential lock	-	-	-	-	●	-
AMG RIDE CONTROL sports suspension	-	-	-	-	●	●
AMG SPEEDSHIFT MCT 7-speed automatic sports transmission, steering wheel gearshift paddles, SPEEDTRONIC cruise control and RACE START function	-	-	-	-	●	●
AGILITY CONTROL comfort suspension	●	-	-	-	-	-
AGILITY CONTROL comfort suspension – lowered by 15 mm	-	●	-	-	-	-
AGILITY CONTROL sports suspension – lowered by 15 mm	-	-	-	●	-	-
AIRMATIC suspension	-	-	●	-	-	-
Driving modes – AMG DYNAMIC SELECT with a choice of AMG-specific driving modes (Comfort, Sport, Sport+, Individual and Race modes for the Mercedes-AMG C 63 S)	-	-	-	-	●	●
Driving modes – DYNAMIC SELECT with a choice of driving modes (Comfort, ECO, Sport, Sport+, Individual)	●	●	●	●	-	-
ECO start/stop function (except C 300 h)	●	●	-	●	●	●
Steering – Comfort Direct-Steer system with speed sensitive steering (C 300 h)	●	●	●	●	-	-
Steering – Direct-Steer speed sensitive steering	●	●	-	-	-	-
Steering – Sports Direct-Steer system with speed sensitive steering	-	-	-	●	-	-

Item	SE	Sport	C350e Sport	AMG Line	Mercedes-AMG C 63	Mercedes-AMG C 63 S
Exterior						
Mirror package Electrically folding mirrors and automatically dimming exterior driver's mirror and rear-view mirror	-	●	●	●	●	●
AMG bodystyling – front apron, bonnet, side skirts, fenders and rear diffuser-style apron design	-	-	-	-	●	●
AMG bodystyling – front apron, rear apron, and side skirts	-	-	-	●	-	-
AMG bonnet with powerdomes	-	-	-	-	●	●
AMG boot lid spoiler in body colour	-	-	-	-	●	●
AMG sports exhaust system with two twin tailpipes	-	-	-	-	●	●
Brake calipers – with 'Mercedes-Benz' lettering and perforated front brake discs	-	-	-	●	-	-
Brake calipers – red with 'AMG' lettering	-	-	-	-	-	●
Brake calipers – silver with 'AMG' lettering	-	-	-	-	●	-
Charging cable for household socket (mode 2) – 4 m, 8 A	-	-	●	-	-	-
Charging cable for wallbox and public charging stations (mode 3) – 4 m, 16 A	-	-	●	-	-	-
Diesel Particulate Filter (DPF) – all diesel engines	●	●	-	●	-	-
EASY PACK automatic powered tailgate (Estate only)	●	●	●	●	●	●
Exterior mirrors – heated and electronically adjustable	●	●	●	●	●	●
Fuel tank – 50-litre (C 300 h)	●	●	●	●	-	-

● Standard ○ Optional - Not available



View offers

- › Saloon
- › Estate



Book a test drive

- › Saloon
- › Estate
- › AMG



Find a Retailer



View the Range Guide

Standard equipment

42

Item	SE	Sport	C350 e Sport	AMG Line	Mercedes-AMG C 63	Mercedes-AMG C 63 S
Exterior (continued)						
Fuel tank – 66-litre (all except C300h)	●	●	–	●	●	●
Headlamps – halogen with integral LED daytime running lamps	●	–	–	–	–	–
Headlamps – LED High Performance headlamps with integral LED daytime running lamps	–	●	●	●	●	●
Heated windscreen wash	●	●	●	●	●	●
Radiator grille – AMG design with double louvre in matt iridium silver and 'AMG' lettering	–	–	–	–	●	●
Radiator grille – integrated star and two louvres in matt iridium silver	●	–	–	–	–	–
Radiator grille – integrated star and two louvres in matt iridium silver with chrome trim	–	●	●	●	–	–
Rain-sensing windscreen wipers	●	●	●	●	●	●
Roof rails – black (Estate only)	●	–	–	–	–	–
Roof rails – chrome (Estate only)	△	●	●	●	●	●
Tail lamps – full LED	–	●	●	●	●	●
Tail lamps – partial LED	●	–	–	–	–	–
Tinted glass all round – green	●	●	●	●	●	●
Top surround of side windows in matt black	●	–	–	–	–	–

Item	SE	Sport	C350 e Sport	AMG Line	Mercedes-AMG C 63	Mercedes-AMG C 63 S
Top surround of side windows in polished aluminium	–	●	●	●	●	●
'V8 BITURBO' lettering on front wings	–	–	–	–	●	●
Visible twin-pipe exhaust trim integrated into rear bumper	–	–	●	●	–	–
Interior						
Interior Lighting package Lighting of footwells, door handle recesses, as well as rear reading lights (LED) and courtesy lights in all doors	–	●	●	●	●	●
Memory package Driver's seat, front passenger seat, steering column and exterior mirrors – electrically adjustable with memory	–	△	△	△	●	●
Seat Comfort package Driver and front passenger seat Electro-pneumatic four-way lumbar support Manual seat cushion depth adjustment (6 cm)	●	●	●	●	–	–
Stowage package Including luggage net in boot and folding box under luggage compartment floor (except C350 e)	●	●	●	●	●	●



View offers

- > Saloon
- > Estate



Book a test drive

- > Saloon
- > Estate
- > AMG



Find a Retailer



View the Range Guide

Standard equipment

43

Item	SE	Sport	C350e Sport	AMG Line	Mercedes-AMG C 63	Mercedes-AMG C 63 S
Interior (continued)						
Ambient lighting LED lighting located in door trim, side of centre console, front door sills, cup holders, footwells, door handle recesses and overhead panel. Five dimming levels and three colours: solar (amber), polar (ice blue) and neutral (white)	-	Δ	Δ	Δ	●	●
AMG instrument cluster	-	-	-	-	●	●
Automatically dimming rear view mirror and driver's exterior mirror	-	●	●	●	●	●
Electric windows (4) – one-touch opening and closing, including obstruction sensors	●	●	●	●	●	●
Electronic key – chrome surround	●	●	●	●	●	●
Floor mats – black with 'AMG' lettering	-	-	-	●	●	●
Front door sill panels with 'AMG' lettering	-	-	-	-	●	●
Front door sill panels with 'Mercedes-Benz' lettering	●	●	●	●	-	-
Gearshift paddle on steering wheel (automatic transmission only)	●	●	●	●	●	●
Gear lever and gear lever gaiter in nappa leather (manual transmission only)	-	●	-	●	-	-
Gear lever with insert in high-gloss black and gear lever gaiter in ARTICO leather ¹ (manual transmission only)	●	-	-	-	-	-
Haptic accelerator pedal	-	-	●	-	-	-

Item	SE	Sport	C350e Sport	AMG Line	Mercedes-AMG C 63	Mercedes-AMG C 63 S
Instrument cluster with two tube-design round dials and 5.5-inch TFT multi-function display	●	●	●	●	-	-
Load compartment cover (Estate only)	●	●	●	●	●	●
Outside temperature display	●	●	●	●	●	●
Seats – AMG Performance seats	-	-	-	-	○	●
Seats – AMG sports seats	-	-	-	●	-	-
Seats – front, heated	Δ	●	●	●	●	●
Seats – sports seats	-	●	●	-	-	-
Seats – front, with electrical height and back, and four-way lumbar adjustment	●	●	●	●	●	●
Seats – rear, split folding 40:20:40 (Estate)	●	●	●	●	●	●
Seats – rear, split folding 40:20:40 (Saloon)	Δ	●	●	●	●	●
Seat belts – black	●	●	●	●	●	-
Seat belts – crystal grey	-	-	-	-	-	●
Sports pedals in brushed stainless steel with rubber studs	-	-	-	●	●	●
Steering column – manually adjustable for height and reach	●	●	●	●	-	-



View offers

- > Saloon
- > Estate



Book a test drive

- > Saloon
- > Estate
- > AMG



Find a Retailer



View the Range Guide

Standard equipment

44

Item	SE	Sport	C350 e Sport	AMG Line	Mercedes-AMG C 63	Mercedes-AMG C 63 S
Interior (continued)						
Steering wheel – 3-spoke multi-function AMG performance steering wheel in black nappa leather/DINAMICA microfibre – controls audio and onboard settings	-	-	-	-	-	●
Steering wheel – 3-spoke multi-function AMG steering wheel in black nappa leather – controls audio and onboard settings	-	-	-	-	●	-
Steering wheel – 3-spoke multi-function steering wheel, trimmed in leather	●	-	-	-	-	-
Steering wheel – 3-spoke multi-function steering wheel in leather with trim in silver chrome and perforated leather in grip area	-	●	●	-	-	-
Steering wheel – 3-spoke multi-function AMG steering wheel in black leather with flattened bottom section and chrome inserts and perforated leather in grip area	-	-	-	●	-	-
Steering wheel - multi-function with audio and onboard settings control	●	●	●	●	●	●
Stowage – double cupholder in centre console	●	●	●	●	●	●
Stowage – front centre armrest with stowage compartment	●	●	●	●	●	●
Stowage – illuminated glove compartment	●	●	●	●	●	●
Sun visors with illuminated vanity mirrors	-	●	●	●	●	●
THERMATIC – automatic climate control, two-zone	●	●	●	●	●	●

Item	SE	Sport	C350 e Sport	AMG Line	Mercedes-AMG C 63	Mercedes-AMG C 63 S
Paint, Trim and Upholstery						
Paint – non-metallic	●	●	●	●	●	●
Trim – black ash wood	-	○	○	●	○	○
Trim – high-gloss black	●	-	-	-	-	-
Trim – high-gloss black with aluminium door trims	-	●	●	○	●	●
Upholstery – ARTICO leather ¹	●	●	●	●	-	-
Upholstery – AMG black nappa leather	-	-	-	-	●	●



View offers

- > Saloon
- > Estate



Book a test drive

- > Saloon
- > Estate
- > AMG



Find a Retailer



View the Range Guide

Standard equipment

45

Item	SE	Sport	C350e Sport	AMG Line	Mercedes-AMG C 63	Mercedes-AMG C 63 S
Safety and Assistance Systems						
AMG high-performance braking system	-	-	-	-	●	●
Active bonnet – pedestrian safety measure which detects an impact and raises bonnet	●	●	●	●	●	●
Active Parking Assist including PARKTRONIC The system automatically steers the vehicle into parking spaces. Bay and parallel parking capable	△	●	●	●	●	●
Adaptive brake lamps	●	●	●	●	●	●
Adaptive Brake Assist with HOLD function and brake-drying function	●	●	●	●	●	●
Alarm system with immobiliser and interior protection	●	●	●	●	●	●
Anti-lock braking system (ABS)	●	●	●	●	●	●
ATTENTION ASSIST – can help alert to long journey fatigue	●	●	●	●	●	●
Automatic child seat recognition sensor	●	●	●	●	●	●
Central locking with interior switch, automatic locking and crash sensor with emergency opening function	●	●	●	●	●	●
Childproof locks – manually operated for rear doors and electrically operated for rear power windows	●	●	●	●	●	●

Item	SE	Sport	C350e Sport	AMG Line	Mercedes-AMG C 63	Mercedes-AMG C 63 S
COLLISION PREVENTION ASSIST PLUS	●	●	●	●	●	●
Dual-stage airbags – driver and front passenger; sidebags in front seats; driver kneebag; pelvis bag and windowbags for driver, front passenger and rear passengers	●	●	●	●	●	●
Electric parking brake	●	●	●	●	●	●
Electronic Stability Programme (ESP®)	●	●	●	●	●	●
First-aid kit and warning triangle	●	●	●	●	●	●
ISOFIX child seat attachment points with top tether in rear	●	●	●	●	●	●
Remote boot release	●	●	●	●	●	●
Reversing camera	●	●	●	●	●	●
Service indicator ASSYST	●	●	●	●	●	●
Status display in instrument cluster for rear seat belts	●	●	●	●	●	●
SPEEDTRONIC cruise control with variable speed limiter	●	●	●	●	●	●
TIREFIT with tyre inflation compressor	●	●	●	●	●	●
Tyre pressure monitoring system	●	●	●	●	●	●



View offers

- › Saloon
- › Estate



Book a test drive

- › Saloon
- › Estate
- › AMG



Find a Retailer



View the Range Guide

Standard equipment

46

Item	SE	Sport	C350 e Sport	AMG Line	Mercedes-AMG C 63	Mercedes-AMG C 63 S
Communication and In-Car Entertainment						
Audio 20 CD including touchpad with integrated Media Interface and Bluetooth® interface with hands-free function	●	●	●	●	-	-
Bluetooth® interface for hands-free telephony	-	-	-	-	●	●
COMAND Online system ¹ Hard disk drive (HDD) navigation with 3D map display, Live Traffic Information and European map data updates free of charge for the first three years. Single CD/DVD, Speed Limit Assist and LINGUATRONIC voice control. Access to internet sites when vehicle is stationary, plus unrestricted use of Mercedes-Benz apps (internet-enabled mobile phone required). Integrated WLAN hotspot for onboard access of WLAN-enabled devices. Also includes 10GB music register and MP3 compatibility	-	△	△	△	●	●
DAB digital radio tuner	●	●	●	●	●	●
Garmin® MAP PILOT navigation system Operation via controller, touchpad or voice control. SD card navigation with instructions shown on 7-inch high-resolution colour display and in the instrument cluster. Includes 3D views with visualisation of roads and buildings as well as junction and lane assistants, making it easy for drivers to orientate themselves. Spoken instructions are emitted through vehicle's built-in speakers. Software and map can be updated online	△	●	●	●	-	-

Item	SE	Sport	C350 e Sport	AMG Line	Mercedes-AMG C 63	Mercedes-AMG C 63 S
High-resolution 7-inch multimedia colour display	●	●	●	●	-	-
High-resolution 8.4-inch multimedia colour display	-	△	△	△	●	●
Mercedes me connect (Remote Online) Onboard use of the remote and location services, e.g. geographic vehicle monitoring, vehicle location, remote door locking and unlocking, remote interrogation of vehicle status. Remote Online subscription services are limited to three years from initial registration, and can be extended at additional cost	○	△	●	△	●	●
Mercedes me connect (standard services) Including emergency call system (eCall), accident recovery, breakdown and maintenance management	●	●	●	●	●	●
Pre-wiring for Garmin® MAP PILOT navigation system	●	●	●	●	-	-
Radio aerial integrated into rear window	●	●	●	●	●	●
Speakers with Frontbass	●	●	●	●	●	●
Two USB ports and an SD card slot in centre console	●	●	●	●	●	●

● Standard ○ Optional - Not available △ Available only as part of optional Executive, Premium or Premium Plus equipment lines (code DP3, DP0 and DP1)

¹COMAND Online functionality and Wi-Fi connectivity is dependent on a compatible cellular data connection. Please check with your local Mercedes-Benz Retailer on network compatibility



View offers

- > Saloon
- > Estate



Book a test drive

- > Saloon
- > Estate
- > AMG



Find a Retailer






View the Range Guide

Wheels




47

A revolution in style

Item	Notes		SE	Sport	C350e Sport	AMG Line	Mercedes-AMG C 63	Mercedes-AMG C 63 S	Basic RRP excl. VAT (£)	Total RRP incl. VAT (£)
Wheels										
16" alloy wheels (4) - multi-spoke design 205/60 tyres			R89	●	-	-	-	-	-	-
17" alloy wheels (4) - 5-twin-spoke design 225/50 tyres			R11	○	-	-	-	-	495.83	595.00
17" alloy wheels (4) - 5-twin-spoke design 225/50 tyres			R48	-	●	-	-	-	-	-

● Standard ○ Optional - Not available



Item	Notes		SE	Sport	C350e Sport	AMG Line	Mercedes-AMG C 63	Mercedes-AMG C 63 S	Basic RRP excl. VAT (£)	Total RRP incl. VAT (£)
Wheels (continued)										
17" alloy wheels (4) – 5-twin-spoke design, front: 225/50 tyres rear: 245/45 tyres			R52	-	-	●	-	-	-	-
18" alloy wheels (4) – 5-spoke design, painted titanium grey front: 225/45 tyres rear: 245/40 tyres			22R	-	-	○	-	-	495.83	595.00
18" AMG alloy wheels (4) – 5-spoke design, painted titanium grey front: 225/45 tyres rear: 245/40 tyres			782	-	-	●	-	-	-	-



View offers

> Saloon

> Estate



Book a test drive

> Saloon

> Estate




> AMG



> Find a Retailer



> View the Range Guide

Item	Notes		SE	Sport	C350e Sport	AMG Line	Mercedes-AMG C 63	Mercedes-AMG C 63 S	Basic RRP excl. VAT (£)	Total RRP incl. VAT (£)
Wheels (continued)										
19" AMG alloy wheels (4) – multi-spoke design, painted titanium grey front: 225/40 tyres rear: 255/35 tyres	Includes run-flat tyres		788	-	-	-	○	-	495.83	595.00
18" AMG alloy wheels (4) – 5-twin-spoke design, painted titanium grey front: 245/40 rear: 265/40			790	-	-	-	●	-	-	-
19" AMG alloy wheels (4) – 5-twin-spoke design, painted titanium grey front: 245/35 tyres rear: 265/35 tyres	With red brake calipers on Mercedes-AMG C 63 S only		793	-	-	-	○	-	495.83	595.00
							-	●	-	-

● Standard ○ Optional - Not available



View offers

- > Saloon
- > Estate



Book a test drive

- > Saloon
- > Estate
- > AMG





Find a Retailer



View the Range Guide

Wheels

50

Item	Notes		SE	Sport	C350e Sport	AMG Line	Mercedes-AMG C 63	Mercedes-AMG C 63 S	Basic RRP excl. VAT (£)	Total RRP incl. VAT (£)	
Wheels (continued)											
19" AMG alloy wheels (4) – forged cross-spoke design, painted titanium grey front: 245/35 tyres rear: 265/35 tyres	With red brake calipers on Mercedes-AMG C 63 S only		770	-	-	-	-	○	-	1,875.00	2,250.00
								-	○	1,133.33	1,360.00
19" AMG alloy wheels (4) – forged cross-spoke design, painted matt black front: 245/35 tyres rear: 265/35 tyres	With red brake calipers on Mercedes-AMG C 63 S only		662	-	-	-	-	○	-	2,083.33	2,500.00
								-	○	1,445.83	1,735.00



View offers

- > Saloon
- > Estate



Book a test drive

- > Saloon
- > Estate
- > AMG



Find a Retailer



View the Range Guide

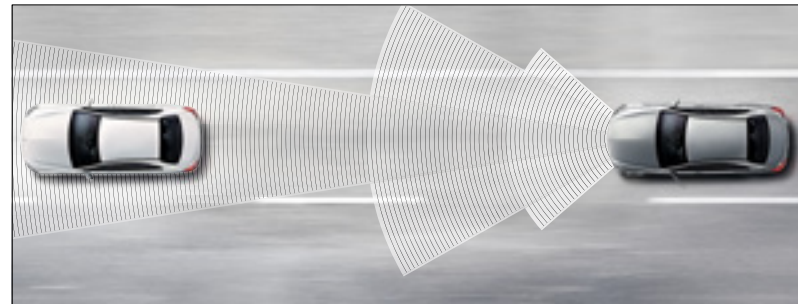
Driving Assistance package

The Driving Assistance package contains a range of highly intelligent features to help you stay safe on the road – by making the drive more effortless, by warning of danger, and by taking steps to protect you in an emergency. It includes Active Blind Spot Assist, Active Lane Keeping Assist, BAS PLUS with Cross-Traffic Assist, DISTRONIC PLUS with Steering Assist and Stop&Go Pilot, and the PRE-SAFE® anticipatory safety system.

Driving Assistance package – designed and priced as a package, including items as listed.

Sport¹, AMG Line¹ and Mercedes-AMG C 63/S

Total incl. VAT £1,695.00



DISTRONIC PLUS

¹Only available with automatic transmission

Driving Assistance package (code DP2)	
Active Blind Spot Assist	Displays a warning light in the exterior mirrors if another vehicle is detected in the blind spot. If a lane change is attempted with another vehicle in the blind spot, the system warns the driver and helps prevent an imminent collision by one-sided braking intervention
Active Lane Keeping Assist	Detects signs of inadvertent drifting out of lane and warns the driver by vibrating the steering wheel and, if necessary, triggers one-sided braking intervention
BAS PLUS with Cross-Traffic Assist	If a critical situation is recognised and the driver applies the brakes, BAS PLUS can increase the brake pressure according to the situation, ideally preventing a collision with other vehicles or pedestrians
DISTRONIC PLUS with Steering Assist and Stop&Go Pilot	DISTRONIC PLUS is a radar assisted cruise control that helps the driver to maintain a safe distance from the vehicle ahead, even when braking to a stand-still. Steering Assist tracks road markings and the path of the vehicle ahead to keep the vehicle on track
PRE-SAFE® Brake with pedestrian detection	When the danger of a collision with another vehicle or a pedestrian is recognised, PRE-SAFE® Brake gives the driver a visual and acoustic warning. If there is no reaction, the system can reduce the vehicle speed autonomously – right up to full emergency braking
PRE-SAFE® PLUS	Initiates occupant prevention measures if a rear-end collision is imminent, including activating the hazard lights, reversible belt tensioning, adjustment of passenger seat positions and closure of windows



View offers

➤ Saloon

➤ Estate

Book a
test drive

➤ Saloon

➤ Estate

➤ AMG



➤ Find a Retailer



➤ View the Range Guide

Optional equipment

Item	Notes		SE	Sport	C350e Sport	AMG Line	Mercedes-AMG C 63	Mercedes-AMG C 63 S	Basic RRP excl. VAT (£)	Total RRP incl. VAT (£)
AMG Performance Studio										
AMG Driver's package Includes an increase to your vehicle's electronically limited top speed (180 mph Saloon and 174 mph Estate) and participation in one of the AMG BASIC-Training 'Power and Passion' events. The event is run by the AMG Driving Academy and held at a racetrack located in mainland Europe	For further information on this or any other AMG Driving Academy training, please speak to your Retailer, or visit www.mercedes-amg.com/driving-academy	250	-	-	-	-	○	-	2,295.83	2,755.00
			-	-	-	-	-	○	637.50	765.00
AMG Exterior Carbon Fibre package 1 Carbon fibre insert in rear apron Front apron in carbon fibre Side panels with carbon fibre inserts		773	-	-	-	-	○	○	2,808.33	3,370.00
AMG Exterior Carbon Fibre package 2 AMG carbon-fibre exterior mirror housing AMG carbon-fibre spoiler lip (Saloon only)		B28	-	-	-	-	○	○	1,050.00	1,260.00
AMG Interior Carbon Fibre Trim package Analogue clock Centre console in carbon-fibre optic Door panels in aluminium trim		H73	-	-	-	-	○	○	583.33	700.00
AMG Interior Glass Fibre Trim package Analogue clock Centre console in glass fibre look Door panels in aluminium trim		H84	-	-	-	-	○	○	583.33	700.00



View offers

- > Saloon
- > Estate



Book a test drive

- > Saloon
- > Estate
- > AMG



Find a Retailer



View the Range Guide

Optional equipment

53

Item	Notes		SE	Sport	C350e Sport	AMG Line	Mercedes-AMG C 63	Mercedes-AMG C 63 S	Basic RRP excl. VAT (£)	Total RRP incl. VAT (£)
AMG Performance Studio (continued)										
AMG Night package AMG exhaust system with two black chrome-plated twin tailpipe trim elements AMG side sill panel inserts in high-gloss black Beltline trim strip and window surround in high-gloss black Exterior mirror housings in high-gloss black Front apron in high-gloss black Privacy glass Rear apron trim strip in high-gloss black Roof rails in black (Estate only)		P60	-	-	-	-	○	○	487.50	585.00
AMG high-performance ceramic composite braking system		B07	-	-	-	-	-	○	3,570.83	4,285.00
AMG Performance exhaust system Control button in centre console Sound characteristics tailored to transmission mode Two additional exhaust flaps		U78	-	-	-	-	○	○	833.33	1,000.00
AMG Performance seats Cushion depth adjustment Pneumatically adjustable seat side bolsters Steep seat angle & optimum lateral support for dynamic driving		555	-	-	-	-	○	●	1,170.83	1,405.00

● Standard ○ Optional - Not available



View offers

- > Saloon
- > Estate



Book a test drive

- > Saloon
- > Estate
- > AMG



Find a Retailer



View the Range Guide

Optional equipment

54

Item	Notes		SE	Sport	C350e Sport	AMG Line	Mercedes-AMG C 63	Mercedes-AMG C 63 S	Basic RRP excl. VAT (£)	Total RRP incl. VAT (£)
Suspension										
AIRMATIC Dynamic Handling package Enhances the ability to tailor the driving experience by combining suspension set-up with each of the driving modes accessed via the DYNAMIC SELECT switch Self-levelling suspension Suspension can be raised by 25 mm to increase ground clearance and automatically lowers by up to 15 mm at high speeds to help reduce aerodynamic drag and improve handling stability Variable damper control, which optimises damping at each wheel to suit the speed and road conditions		483	-	○	●	○	-	-	745.83	895.00
Exterior										
360° camera Four networked cameras in front grille, wing mirrors and boot capture a 360° bird's-eye view of vehicle's immediate surroundings		501	-	○	○	○	○	○	279.17	335.00
Charging cable for household socket (mode 2) – 8 m, 8 A	Replaces standard charging cable for household socket (mode 2) – 4 m, 8 A	B81	-	-	○	-	-	-		no-cost option
Charging cable for wall box and public charging stations (mode 3) – 8 m, 16 A	Replaces standard charging cable for wallbox and public charging stations (mode 3) – 4 m, 16 A	B83	-	-	○	-	-	-		no-cost option
Charging cable industrial socket-PIN IEC 60309 CEE (mode 2) – 4 m, 8 A	In addition to standard charging cables	B82	B82	-	-	○	-	-	312.50	375.00
Charging cable industrial socket-PIN IEC 60309 CEE (mode 2) – 8 m, 8 A	In addition to standard charging cables	B82	B82	-	-	○	-	-	312.50	375.00

● Standard ○ Optional - Not available



View offers

- › Saloon
- › Estate



Book a test drive

- › Saloon
- › Estate
- › AMG



Find a Retailer



View the Range Guide

Optional equipment

55

Item	Notes		SE	Sport	C350 e Sport	AMG Line	Mercedes-AMG C 63	Mercedes-AMG C 63 S	Basic RRP excl. VAT (£)	Total RRP incl. VAT (£)
Exterior (continued)										
Headlamps – LED Intelligent Light System Automatically adapts the light intensity appropriately to weather, lighting and speed. The integrated Adaptive Highbeam Assist automatically adjusts to traffic situation. The cornering function automatically pivots headlamps in upcoming bends to ensure maximal visibility. The ‘coming home’ function lets the front headlamps illuminate blue when opening and closing the vehicle via key		641	–	○	○	○	○	○	454.17	545.00
Panoramic glass sunroof Consisting of a fixed panoramic glass rear section and electrically operated sliding glass front section	Included with Premium and Premium Plus equipment lines (code DP0 and DP1). On C 350 e Estate only in conjunction with 18" alloy wheels (code 22R)	413	–	○	○	○	–	–	750.00	900.00
Privacy glass Includes side windows rear of B-pillar and rear windscreen		840	○	○	○	○	○	○	220.83	265.00
Tow bar, manually folding – includes 13-pin socket When ordering, please discuss with your Retailer any specific electrical towing requirements	Excludes 7-pin adapter. Not available on C 300 h SE Saloon. When ordered with Premium or Premium Plus equipment lines (code DP0 and DP1) hands-free access (code 871) is removed. On C 350 e Estate only in conjunction with 18" alloy wheels (code 22R). In conjunction with AMG Line, rear diffuser design is changed	550	○	○	○	○	–	–	625.00	750.00



Item	Notes		SE	Sport	C350e Sport	AMG Line	Mercedes-AMG C 63	Mercedes-AMG C 63 S	Basic RRP excl. VAT (£)	Total RRP incl. VAT (£)
Paint, Trim and Upholstery										
Paint - metallic		-	○	○	○	○	○	○	537.50	645.00
Paint - designo diamond white metallic		799	○	○	○	○	○	○	704.17	845.00
Paint - designo hyacinth red metallic	Please check with your Retailer for availability	996	○	○	○	○	○	○	704.17	845.00
Trim - black ash wood	Analogue clock only with automatic transmission	736	-	○	○	●	○	○	162.50	195.00
Trim - dark brown ash wood	Analogue clock only with automatic transmission	H09	-	-	-	○	-	-	no-cost option	
			-	○	○	-	-	-	162.50	195.00
Trim - high-gloss black with aluminium		739	-	●	●	○	●	●	no-cost option	
Upholstery - ARTICO leather ¹ upper dashboard and beltlines with contrast stitching		U09	-	-	-	○	-	-	333.33	400.00
Upholstery - leather		-	-	○	○	○	-	-	662.50	795.00
Upholstery - platinum white		851A	-	-	-	-	○	○	no-cost option	
Upholstery - red pepper		857A	-	-	-	-	○	○	no-cost option	



View offers

- > Saloon
- > Estate



Book a test drive

- > Saloon
- > Estate
- > AMG



Find a Retailer



View the Range Guide

Optional equipment

57

Item	Notes									Basic RRP excl. VAT (£)	Total RRP incl. VAT (£)
			SE	Sport	C350e Sport	AMG Line	Mercedes-AMG C 63	Mercedes-AMG C 63 S			
Comfort											
AIR-BALANCE package Interior fragrance dispenser. Fragrance can be changed by exchanging the flasks in the glove compartment. Intensity and duration of fragrance diffusion can be adjusted. Oxygen ionisation and improved filtering system		P21	-	○	○	○	○	○		291.67	350.00
Communications and In-Car Entertainment											
Head-up display Projects key driver information such as vehicle speed, navigation tips, speed limits as virtual colour image (21x7cm) into the driver's field of vision. Special light sensors adjust the brightness of the heads-up display to ensure good visibility without distraction. The display is easily height adjustable		463	-	○	○	○	○	○		687.50	825.00
Mercedes me connect (Remote Online) Onboard use of the remote and location services, e.g. geographic vehicle monitoring, vehicle location, remote door locking and unlocking, remote interrogation of vehicle status. Remote Online subscription services are limited to three years from initial registration, and can be extended at additional cost	Standard in conjunction with Premium Plus equipment line (code DP1)	05U	○	○	●	○	●	●		125.00	150.00

● Standard ○ Optional - Not available



View offers

- > Saloon
- > Estate



Book a test drive

- > Saloon
- > Estate
- > AMG



Find a Retailer



View the Range Guide

Optional equipment

58

Item	Notes	SE	Sport	C350e Sport	AMG Line	Mercedes-AMG C 63	Mercedes-AMG C 63 S	Basic RRP excl. VAT (£)	Total RRP incl. VAT (£)
Service Package									
Service Care	Price is based on a monthly rate. Example given is for two services taken over 24 months, three services over 36 months or four services over 48 months. Further payment options are available. New Service Care prices apply only to vehicles up to 12 months old prior to first service. Prices correct up to 30 April 2016	○	○	○	○	-	-	25.00	30.00
Service Care allows you to spread the cost of servicing your new car in the Mercedes-Benz Retailer network. Taking out a Service Care plan ensures your servicing needs are taken care of by fully trained Mercedes-Benz Technicians with the added benefit of a Mercedes-Benz service history		-	-	-	-	○	○	33.33	40.00



View offers

> Saloon

> Estate



Book a test drive

> Saloon

> Estate

> AMG



> Find a Retailer



> View the Range Guide

Genuine Accessories

We've developed a range of Accessories you can add to help personalise and enhance your C-Class. Your local Mercedes-Benz Retailer can advise on fitting costs of Accessories, where applicable. Further information on our full range of Genuine Accessories can be found on the Mercedes-Benz UK website.



01 | Shallow boot tub

The boot tub is suitable for transporting shopping. The tub shape with its slightly raised edge is precision-tailored to the load area. Made from impact-resistant, non-slip polypropylene, its structured surface holds the separately available stowage crate in place. Deep boot tub also available.

Basic RRP £72.00 (excl. VAT) **Total RRP £86.40 (incl. VAT)**

02 | Stowage crate

A secure hold for items which are prone to tip over or slide around, e.g. shopping bags. Adjustable partitioning elements allow crate to be divided into max. four sections. Optimum functionality only in conjunction with shallow boot tub.

Basic RRP £71.67 (excl. VAT) **Total RRP £86.00 (incl. VAT)**



View offers

> Saloon

> Estate



Book a test drive

> Saloon

> Estate

> AMG



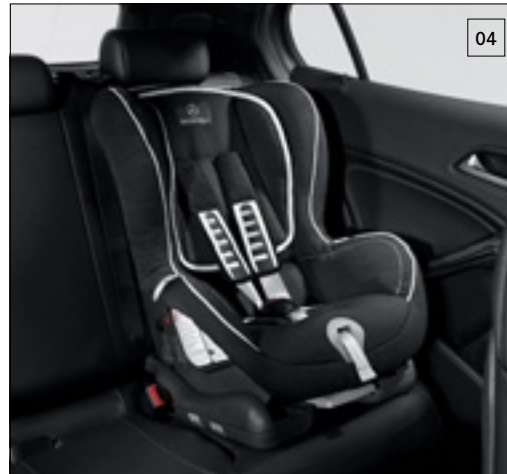
> Find a Retailer



> View the Range Guide



03



04

03 | All-season floor mats

Robust, washable synthetic material, designed for heavy use. Latest design with recessed areas and raised edge. With distinctive Mercedes-Benz star logo. The price is for front and rear mats.

Basic RRP £76.67 (excl. VAT) **Total RRP £92.00 (incl. VAT)**

04 | DUO Plus child seat, with ISOFIX and automatic child seat recognition

Optimum safety for children between the ages of around 8 months and 4 years (9 to 18kg). Fitted as standard with top tether, an additional belt for securing the head section, a height-adjustable harness, ventilation channels and ISOFIX attachment points. With automatic child seat recognition. Adjustable tilt. Also available for ages 0+ (1 to 13kg) and 3.5 to 12 years (15 to 36 kg).

Basic RRP £428.33 (excl. VAT) **Total RRP £449.75 (incl. VAT)**



05

05 | Concertina load sill protector

Protects the rear of the car from scratches when you're loading the vehicle and prevents dirt from the car from getting onto your clothes. Practical design – can be connected to reversible mat, shallow boot tub or deep boot tub.

Basic RRP £33.33 (excl. VAT) **Total RRP £40.00 (incl. VAT)**



View offers

- > Saloon
- > Estate



Book a test drive

- > Saloon
- > Estate
- > AMG



Find a Retailer



View the Range Guide



06

06 | Coat hanger, on head restraint

It's easy to arrive looking smart: the sturdy coat hanger allows you to hang up items of clothing on board. Rounded ends protect the fabric. Easy to secure in place behind the head restraint and to remove.

Basic RRP £55.50 (excl. VAT) **Total RRP £66.60 (incl. VAT)**

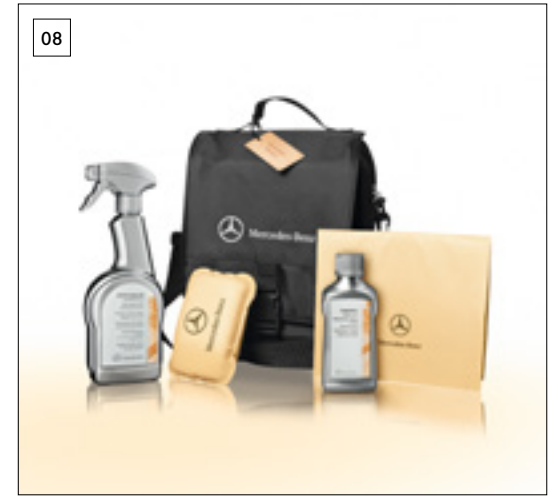


07

07 | Exterior Car Care Kit

The Mercedes-Benz Exterior Car Care Kit is a four-piece collection to keep the exterior of your car looking like it's come straight from the showroom. The bag contains car shampoo, wheel cleaner, sponge and polishing cloth.

Basic RRP £20.83 (excl. VAT) **Total RRP £25.00 (incl. VAT)**



08

08 | Interior Car Care Kit

The Mercedes-Benz Interior Car Care Kit is a four-piece collection enabling you to maintain a spotless showroom finish inside your car. The bag contains cabin care spray, interior glass cleaner, interior glass sponge and car cloth.

Basic RRP £20.83 (excl. VAT) **Total RRP £25.00 (incl. VAT)**



View offers

- > Saloon
- > Estate



Book a test drive

- > Saloon
- > Estate
- > AMG



Find a Retailer



View the Range Guide

09 | Winter wheels and tyres

16" alloy wheels (4) – 10-spoke design. Includes Tyre Pressure Monitor.

Basic RRP £1,094.16 (excl. VAT) **Total RRP £1,313.00 (incl. VAT)**



10 | Winter wheels and tyres

17" alloy wheels (4) – 5-spoke design. Includes Tyre Pressure Monitor.

Basic RRP £1,307.52 (excl. VAT) **Total RRP £1,569.03 (incl. VAT)**



11 | Mercedes-Benz roof box, 400 litres

Multi-purpose box. Compact length, impressive amount of space. Capacity approx. 400 litres. Opens on both sides. Single lock system. Gas-filled struts for easy opening and closing of lid. Straps to hold contents in place. Maximum load capacity 75 kg. Available in matt silver or metallic black.

Basic RRP £341.67 (excl. VAT) **Total RRP £410.00 (incl. VAT)**



12 | Basic carrier bars

Aluminium carrier bars, precision-tailored to the body of your C-Class – the perfect basis for a range of Mercedes-Benz transport solutions: ski and snowboard rack, bicycle rack or roof boxes. Pricing for Saloon only.

Basic RRP £182.50 (excl. VAT) **Total RRP £219.00 (incl. VAT)**





View offers

- > Saloon
- > Estate



Book a test drive

- > Saloon
- > Estate
- > AMG



Find a Retailer



View the Range Guide

Colours and materials

Non-metallic paints

Standard



040 black¹



149 polar white

Metallic paints

Optional



197 obsidian black



890 cavansite blue¹



755 tenorite grey¹



896 brilliant blue²



775 iridium silver



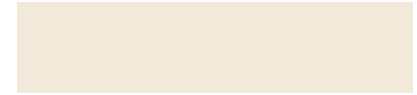
988 diamond silver¹



792 palladium silver

Special metallic paints

Additional-cost option



799 designo diamond white



996 designo hyacinth red

¹Not available on Mercedes-AMG C 63/S ²Only available on Estate, C300h Saloon and all C350 e and Mercedes-AMG C 63/S models

Please note that, owing to limitations of on-screen representation, paint colours may differ from those shown



View offers

- > Saloon
- > Estate



Book a test drive

- > Saloon
- > Estate
- > AMG



Find a Retailer



View the Range Guide

Upholstery

SE

ARTICO leather¹ (standard)



131A black

Trim

SE (standard)



H80 high-gloss black

Sport

ARTICO leather¹ (standard) Leather (optional)



101A black



201A black



115A silk beige



215A silk beige

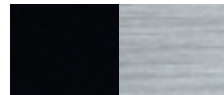


118A crystal grey



218A crystal grey

Sport (standard)



739 high-gloss black with aluminium

Sport (optional)



H09 dark brown ash wood⁵



736 black ash wood⁵

AMG Line

ARTICO leather¹ (standard) Leather (optional)



141A black



251A black



267A cranberry red



268A crystal grey

AMG Line (standard)

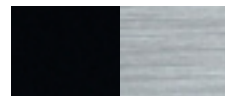


736 black ash wood⁵

AMG Line (no-cost option)



H09 dark brown ash wood⁵



739 high-gloss black with aluminium

Mercedes-AMG C 63/S

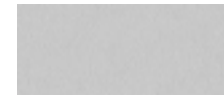
Nappa leather (standard)



801A² black



811A³ black

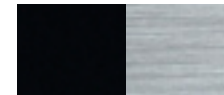


851A platinum white



857A red pepper

Mercedes-AMG C 63/S



739 high-gloss black with aluminium (standard)



736 black ash wood (optional)⁵



H73 AMG carbon fibre (optional)⁵



H84 AMG glass fibre (optional)⁵

¹Man-made leather ²Mercedes-AMG C 63 ³Mercedes-AMG C 63 S ⁴Only available with silk beige upholsteries (code 115A and 215A)

⁵All wood trims and AMG carbon-fibre trim in conjunction with automatic transmission will feature an analogue clock in the centre console



View offers

> Saloon

> Estate



Book a test drive

> Saloon

> Estate

> AMG



> Find a Retailer



> View the Range Guide

Trim and upholstery combinations

	SE	Sport			AMG Line	Mercedes-AMG C 63/S		
	ARTICO leather ¹	ARTICO leather ¹			ARTICO leather ¹	Nappa leather		
	black (131A)	black (101A)	silk beige (115A)	crystal grey (118A)	black (141A)	black (801A/811A)	platinum white (851A)	red pepper (857A)
Dashboard								
Steering wheel	black	black	black	black	black	black	black	black
Upper dashboard trim	black	black	black	black	black	black	black	black
Lower dashboard trim	black	black	silk beige	black	black	black	black	black
Seats								
Seat cushion centre section	black	black	silk beige	crystal grey	black	black	platinum white	red pepper
Side bolster trim	black	black	silk beige	crystal grey	black	black	black	black
Head restraint	black	black	silk beige	crystal grey	black	black	black	black
Seat belt	black	black	black	black	black	black (crystal grey)	black (crystal grey)	black
Doors								
Door trim at beltline	black	black	black	black	black	black (crystal grey) ²	black (platinum white)	black (red pepper)
Door centre panel	black	black	silk beige	crystal grey	black	black	black	black
Roof lining	crystal grey	crystal grey	porcelain	crystal grey	black	black	black	black
Parcel shelf	crystal grey	crystal grey	porcelain	crystal grey	black	black	black	black
Floor covering								
Front and rear	black	black	black	black	black	black	black	black

¹Man-made leather ²DINAMICA microfibre



View offers

- > Saloon
- > Estate



Book a test drive

- > Saloon
- > Estate
- > AMG



Find a Retailer



View the Range Guide

Combination options

		ARTICO leather ¹ SE, Sport and AMG Line ² (standard)			Leather Sport and AMG Line (optional)				Nappa leather Mercedes-AMG C 63/S (standard)		
		black	silk beige	crystal grey	black	silk beige	crystal grey	cranberry red	black	platinum white	red pepper
Non-metallic paints (standard)											
	040 black ³	●	●	●	●	●	●	●	-	-	-
	149 polar white	●	○	●	●	○	●	●	●	●	●
Metallic paints (optional)											
	197 obsidian black	●	●	●	●	●	●	●	●	●	●
	755 tenorite grey ³	●	△	●	●	△	○	●	-	-	-
	775 iridium silver	●	△	●	●	△	●	●	●	●	●
	792 palladium silver	●	△	○	●	△	○	●	●	○	○
	890 cavansite blue ³	●	○	●	●	○	●	△	-	-	-
	896 brilliant blue ⁴	●	○	●	●	○	●	△	●	○	○
	988 diamond silver ³	●	△	○	●	△	○	●	-	-	-
Special metallic paints (additional-cost option)											
	799 designo diamond white	●	○	●	●	○	●	●	●	●	●
	996 designo hyacinth red	●	○	●	●	○	●	●	●	○	○

● Recommended ○ Possible △ Not recommended - Not available ¹Man-made leather ²In conjunction with AMG Line, only black ARTICO leather is available

³Not available on Mercedes-AMG C 63/S ⁴Only available on Estate, C 300 h Saloon and all C 350 e and Mercedes-AMG C 63/S models Please note that, owing to limitations of on-screen representation, paint colours may differ from those shown



View offers

- > Saloon
- > Estate



Book a test drive

- > Saloon
- > Estate
- > AMG



Find a Retailer



View the Range Guide

Technical data – Saloon

Model	Diesel engines				Petrol engines		
	C 200 d	C 220 d	C 250 d	C 300 h	C 200	C 350 e	Mercedes-AMG C 63 [S]
Engine							
Total displacement cc	1,598	2,143	2,143	2,143	1,991	1,991	3,982
Arrangement/cylinders/valves	in-line/4/16	in-line/4/16	in-line/4/16	in-line/4/16	in-line/4/16	in-line/4/16	V/8/32
Fuel delivery	Common-rail diesel with turbocharger	Common-rail diesel with twin turbochargers	Common-rail diesel with twin turbochargers	Common-rail diesel with twin turbochargers plus electric motor	Electronically controlled direct injection	Electronically controlled direct injection plus electric motor	Electronically controlled direct injection with biturbo
Power ¹ hp (kW) at rpm							
Combustion engine	136 (100)/3,800	170 (125)/3,000-4,200	204 (150)/3,800	204 (150)/3,800	184 (135)/5,500	211 (155)/5,500	476 (350)/5,500-6,250 {510 (375)/5,500-6,250}
Electric motor	-	-	-	27 (20)/1,800	-	82 (60)/2,000	-
System output	-	-	-	-	-	279 (205)/5,000	-
Torque ¹ [auto.] Nm at rpm							
Combustion engine	300/1,500-3,000 [320/1,500-3,000]	400/1,400-2,800	500/1,600-1,800	500/1,600-1,800	300/1,200-4,000	350/1,200-4,000	650/1,750-4,500 {700/1,750-4,500}
Electric motor	-	-	-	250/0-1,000	-	340/0-1,500	-
System output	-	-	-	-	-	600/1,200-2,000	-
Compression ratio	15.7:1	16.2:1	16.2:1	16.2:1	9.8:1	9.8:1	10.5:1



View offers

> Saloon

> Estate



Book a test drive

> Saloon

> Estate

> AMG



> Find a Retailer



> View the Range Guide

Model	Diesel engines				Petrol engines		
	C 200 d	C 220 d	C 250 d	C 300 h	C 200	C 350 e	Mercedes-AMG C 63 [S]

Transmission

6-speed manual ²	●	●	-	-	●	-	-
7G-TRONIC PLUS 7-speed automatic ²	○	○	●	●	○	●	-
AMG SPEEDSHIFT MCT 7-speed automatic sports transmission	-	-	-	-	-	-	●

Tyre sizes

Front	205/60 R 16	205/60 R 16	205/60 R 16	205/60 R 16	205/60 R 16	225/50 R 17	245/40 R 18 {245/35 R 19}
Rear	205/60 R 16	205/60 R 16	205/60 R 16	205/60 R 16	205/60 R 16	245/45 R 17	265/40 R 18 {265/35 R 19}

Performance

		man.	auto.	man.	auto.	auto.	auto.	man.	auto.	auto.	auto.
Acceleration 0-62 mph	sec	9.7	10.2	7.7	7.4	6.6	6.4	7.5	7.3	5.9	4.1 {4.0}
Top speed	mph	135	134	145	145	153	152	147	146	155	155 ³



Model	Diesel engines						Petrol engines				
	C 200 d	C 220 d	C 250 d	C 300 h	C 200	C 350 e	Mercedes-AMG C 63 {S}				
Weights and capacities	man.	auto.	man.	auto.	auto.	auto.	man.	auto.	auto.	auto.	
Kerb weight	kg	1,485	1,505	1,550	1,570	1,595	1,715	1,445	1,465	1,780	1,715 {1,730}
Perm. Gross Vehicle Weight	kg	2,055	2,075	2,115	2,135	2,160	2,195	2,010	2,030	2,305	2,175 {2,180}
Towing capacity unbraked/ braked	kg	740/ 1,600	750/ 1,600	750/ 1,800	750/ 1,800	750/ 1,800	750/ 1,600	725/ 1,600	730/ 1,800	750/ 1,600	-/ -
Boot capacity	l	480	480	480	480	480	435	480	480	335	435
Fuel tank capacity/ of which reserve	l	66/7	66/7	66/7	66/7	66/7	50/7	66/7	66/7	50/7	66/10
Turning circle	m	11.22	11.22	11.22	11.22	11.22	11/22	11.22	11.22	11.22	11.29
Fuel consumption^{4,5}	mpg	man.	auto.	man.	auto.	auto.	auto.	man.	auto.	auto.	auto.
Urban		60.1	54.3	58.9	53.3	53.3	72.4	41.5	41.5	-	26.2
Extra-urban ⁶		80.7	76.4	83.1	78.5	78.5	83.1	64.2	64.2	-	42.2
Combined		72.4	65.7	70.6	65.7	65.7	78.5	53.3	53.3	134.5*	34.5



View offers

› Saloon

› Estate



Book a test drive

› Saloon

› Estate

› AMG



› Find a Retailer



› View the Range Guide

Technical data | Saloon

70

Model	Diesel engines						Petrol engines			
	C 200 d		C 220 d		C 250 d	C 300 h	C 200	C 350 e		Mercedes-AMG C 63 {S}
CO₂ emissions⁵ g/km	man.	auto.	man.	auto.	auto.	auto.	man.	auto.	auto.	auto.
Emissions standard	EU6	EU6	EU6	EU6	EU6	EU6	EU6	EU6	EU6	EU6
16" 205/60 tyres	101	111	103	109	109	94	123	123	-	-
17" 225/50 tyres	101	111	103	109	109	94	123	123	-	-
17" 245/45 tyres	-	-	-	-	-	-	-	-	48	-
18" 245/40 tyres	106	116	108	117	117	100	132	131	52	-
19" 255/35 tyres	110	119	110	121	121	103	136	135	-	-
18" 265/40 tyres	-	-	-	-	-	-	-	-	-	192 {-}
19" 265/35 tyres	-	-	-	-	-	-	-	-	-	192 {192}

Insurance group ratings

Base model: SE/Sport/AMG Line	24/25/25	30/31/31	36/37/37	36/37/37	29/31/31	-/38/-	47 {48}
Incl. Executive	24/-/-	30/-/-	36/-/-	36/-/-	29/-/-	-/-/-	- {-}
Incl. Premium	-/26/27	-/31/32	-/37/38	-/37/38	-/32/32	-/39/-	47 {48}
Incl. Premium Plus	-/27/27	-/32/32	-/37/38	-/37/38	-/32/32	-/39/-	- {-}

¹Figures according to Directive 80/1269/EEC in the currently applicable version ²With ECO start/stop ³Electronically limited ⁴All figures are based on a standard specification with the smallest tyre size

⁵The choice of wheels and transmission may affect CO₂ emissions and corresponding Road Fund Licence ⁶EUDC: extra-urban driving cycle. Testing procedures adhere to EU Directive 93/116

*The manufacturer's stated fuel consumption figures are based on the legally prescribed NEDC test cycle, which is performed in a laboratory. These are the only figures we are allowed to publish.

It is common that differences occur in real driving conditions compared with these certified laboratory values. They result primarily from conditions different from the legally-prescribed laboratory conditions, for example when ambient temperatures differ (the weather is hot, cold, windy, wet), the vehicle is operated under different loads and many other factors.

For several years, Mercedes-Benz has fully and actively supported the early introduction of the WLTP (Worldwide Harmonised Light Vehicles Test Procedure) and the measuring procedure for Real Driving Emissions (RDE). This procedure is designed to supersede the NEDC, with the goal of bringing standardised and real-world consumption closer together



View offers

- > Saloon
- > Estate



Book a test drive

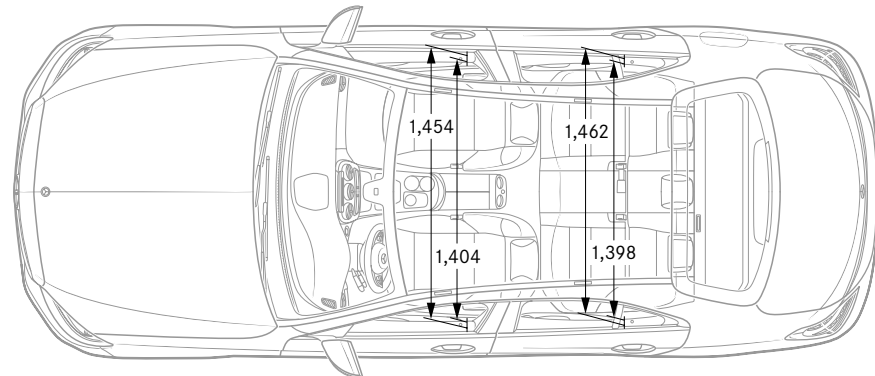
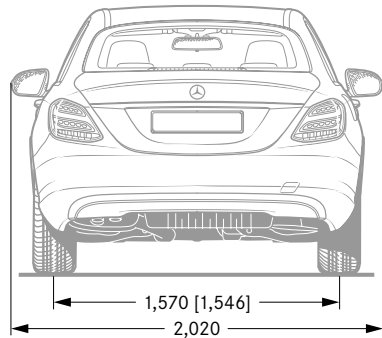
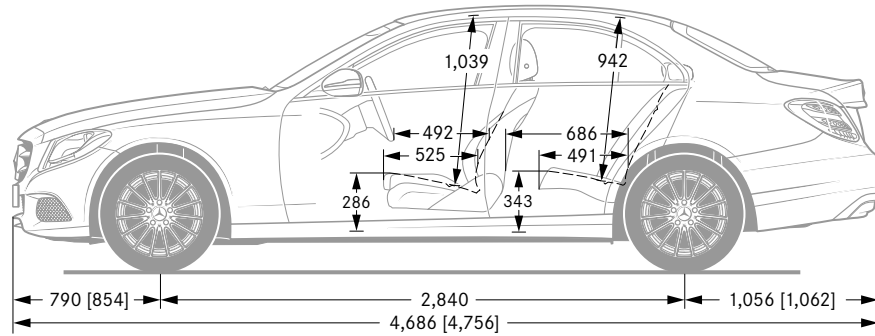
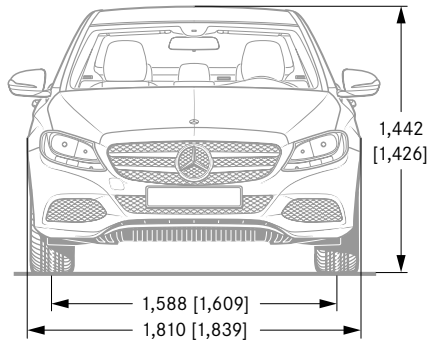
- > Saloon
- > Estate
- > AMG



Find a Retailer



View the Range Guide



The figures on pages 67–71 are correct at time of publication. Please refer to the government website for latest data – <http://carfueldata.direct.gov.uk/>

Figures in square brackets relate to Mercedes-AMG models.

All measurements in millimetres. The dimensions are mean values and apply to standard-specification, unladen vehicles



View offers

> Saloon

> Estate



Book a test drive

> Saloon

> Estate

> AMG



> Find a Retailer



> View the Range Guide

Technical data – Estate

Model	Diesel engines				Petrol engines		
	C 200 d	C 220 d	C 250 d	C 300 h	C 200	C 350 e	Mercedes-AMG C 63 [S]
Engine							
Total displacement cc	1,598	2,143	2,143	2,143	1,991	1,991	3,982
Arrangement/cylinders/valves	in-line/4/16	in-line/4/16	in-line/4/16	in-line/4/16	in-line/4/16	in-line/4/16	V/8/32
Fuel delivery	Common-rail diesel with turbochargers	Common-rail diesel with turbochargers	Common-rail diesel with turbochargers	Common-rail diesel with twin turbochargers plus electric motor	Electronically controlled direct injection	Electronically controlled direct injection plus electric motor	Electronically controlled direct injection with biturbo
Power ¹ hp (kW) at rpm							
Combustion engine	136 (100)/3,800	170 (125)/3,000-4,200	204 (150)/3,800	204 (150)/3,800	184 (135)/5,500	211 (155)/5,500	476 (350)/5,500-6,250 {510 (375)/5,500-6,250}
Electric motor	-	-	-	27 (20)/1,800	-	82 (60)/2,000	-
System output	-	-	-	-	-	279 (205)/5,000	-
Torque ¹ [auto.] Nm at rpm							
Combustion engine	300/1,500-3,000 [320/1,500-3,000]	400/1,400-2,800	500/1,600-1,800	500/1,600-1,800	300/1,200-4,000	350/1,200-4,000	650/1,750-4,500 {700/1,750-4,500}
Electric motor	-	-	-	250/0-1,000	-	340/0-1,500	-
System output	-	-	-	-	-	600/1,200-2,000	-
Compression ratio	15.7:1	16.2:1	16.2:1	16.2:1	9.8:1	9.8:1	10.5:1



View offers

- > Saloon
- > Estate



Book a test drive

- > Saloon
- > Estate
- > AMG



Find a Retailer



View the Range Guide

Model	Diesel engines				Petrol engines		
	C 200 d	C 220 d	C 250 d	C 300 h	C 200	C 350 e	Mercedes-AMG C 63 [S]

Transmission

6-speed manual ²	●	●	-	-	●	-	-
7G-TRONIC PLUS 7-speed automatic ²	○	○	●	●	○	●	-
AMG SPEEDSHIFT MCT 7-speed automatic sports transmission	-	-	-	-	-	-	●

Tyre sizes

Front	205/60 R 16	205/60 R 16	205/60 R 16	225/50 R 17	205/60 R 16	225/50 R 17	245/40 R 18 {245/35 R 19}
Rear	205/60 R 16	205/60 R 16	205/60 R 16	225/50 R 17	205/60 R 16	245/45 R 17	265/40 R 18 {265/35 R 19}

Performance

		man.	auto.	man.	auto.	auto.	auto.	man.	auto.	auto.	auto.
Acceleration 0-62 mph	sec	10.1	10.6	7.9	7.6	6.9	6.7	7.7	7.5	6.2	4.2 {4.1}
Top speed	mph	133	132	143	142	150	148	146	145	153	155 ³



View offers

> Saloon

> Estate



Book a test drive

> Saloon

> Estate

> AMG



> Find a Retailer



> View the Range Guide

Model	Diesel engines						Petrol engines				
	C 200d	C 220d	C 250d	C 300h	C 200	C 350e	Mercedes-AMG C 63 [S]				
Weights and capacities	man.	auto.	man.	auto.	auto.	auto.	man.	auto.	auto.	auto.	
Kerb weight	kg	1,545	1,580	1,595	1,615	1,660	1,765	1,495	1,525	1,840	1,785 {1,800}
Perm. Gross Vehicle Weight	kg	2,120	2,155	2,170	2,190	2,235	2,340	2,070	2,100	2,305	2,260 {2,260}
Towing capacity unbraked/braked	kg	740/ 1,600	750/ 1,600	750/ 1,800	750/ 1,800	750/ 1,800	750/ 1,600	745/ 1,600	750/ 1,800	750/ 1,600	-/ -
Boot capacity	l	490- 1,510	490- 1,510	490- 1,510	490- 1,510	490-1,510	450-1,470	490- 1,510	490- 1,510	350-1,370	490-1,510
Fuel tank capacity/ of which reserve	l	66/7	66/7	66/7	66/7	66/7	50/7	66/7	66/7	50/7	66/10
Turning circle	m	11.22	11.22	11.22	11.22	11.22	11.22	11.22	11.22	11.22	11.29
Fuel consumption^{4,5}	mpg	man.	auto.	man.	auto.	auto.	auto.	man.	auto.	auto.	auto.
Urban		55.4	54.3	54.3	53.3	52.3	70.6	40.4	40.4	-	25.9
Extra-urban ⁶		74.3	74.3	76.4	74.3	72.4	76.4	61.4	61.4	-	40.9
Combined		65.7	65.7	65.7	64.2	62.8	74.3	51.4	51.4	134.5*	33.6



View offers

➤ Saloon

➤ Estate



Book a test drive

➤ Saloon

➤ Estate

➤ AMG



➤ Find a Retailer



➤ View the Range Guide

Technical data | Estate

75

Model	Diesel engines						Petrol engines			
	C 200 d	C 220 d	C 250 d	C 300 h	C 200	C 350 e	Mercedes-AMG C 63 {S}			
CO₂ emissions⁵ g/km	man.	auto.	man.	auto.	auto.	auto.	man.	auto.	auto.	auto.
Emissions standard	EU6	EU6	EU6	EU6	EU6	EU6	EU6	EU6	-	EU6
16" 205/60 tyres	109	114	108	114	117	-	128	128	-	-
17" 225/50 tyres	111	114	108	114	117	99	128	128	-	-
17" 245/45 tyres	-	-	-	-	-	-	-	-	49	-
18" 245/40 tyres	117	121	113	119	122	104	132	138	53	-
19" 255/35 tyres	120	124	115	122	125	106	134	142	-	-
18" 265/40 tyres	-	-	-	-	-	-	-	-	-	196 [-]
19" 265/35 tyres	-	-	-	-	-	-	-	-	-	196 [196]

Insurance group ratings

Base model: SE/Sport/AMG Line	24/25/25	30/31/31	36/37/37	36/37/37	29/31/31	-/38/-	47 [48]
Incl. Executive	24/-/-	30/-/-	36/-/-	36/-/-	29/-/-	-/-/-	- [-]
Incl. Premium	-/26/27	-/31/32	-/37/38	-/37/38	-/32/32	-/39/-	47 [48]
Incl. Premium Plus	-/27/27	-/32/32	-/37/38	-/37/38	-/33/32	-/39/-	- [-]

¹Figures according to Directive 80/1269/EEC in the currently applicable version ²With ECO start/stop ³Electrically limited ⁴All figures are based on a standard specification with the smallest tyre size

⁵The choice of wheels and transmission may affect CO₂ emissions and corresponding Road Fund Licence ⁶EU6: extra-urban driving cycle. Testing procedures adhere to EU Directive 93/116

*The manufacturer's stated fuel consumption figures are based on the legally prescribed NEDC test cycle, which is performed in a laboratory. These are the only figures we are allowed to publish.

It is common that differences occur in real driving conditions compared with these certified laboratory values. They result primarily from conditions different from the legally-prescribed laboratory conditions, for example when ambient temperatures differ (the weather is hot, cold, windy, wet), the vehicle is operated under different loads and many other factors.

For several years, Mercedes-Benz has fully and actively supported the early introduction of the WLTP (Worldwide Harmonised Light Vehicles Test Procedure) and the measuring procedure for Real Driving Emissions (RDE). This procedure is designed to supersede the NEDC, with the goal of bringing standardised and real-world consumption closer together



View offers

- > Saloon
- > Estate



Book a test drive

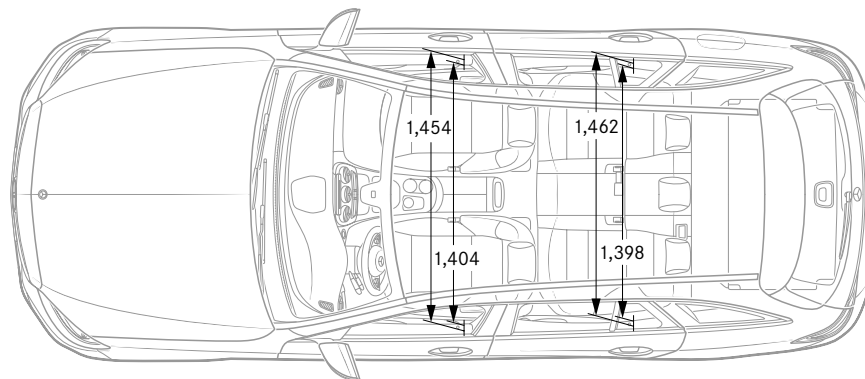
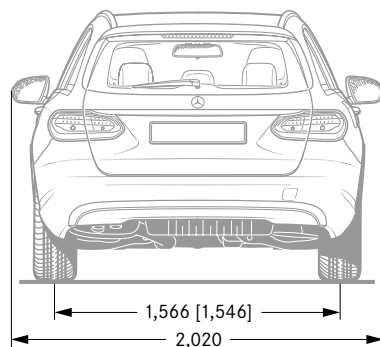
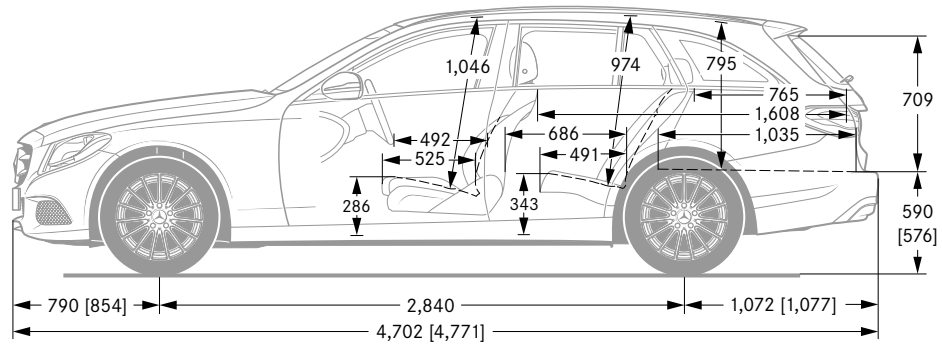
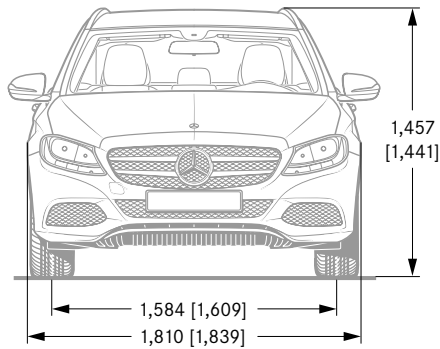
- > Saloon
- > Estate
- > AMG



Find a Retailer



View the Range Guide



The figures on pages 72–76 are correct at time of publication. Please refer to the government website for latest data – <http://carfueldata.direct.gov.uk/>

Figures in square brackets relate to Mercedes-AMG models.

All measurements in millimetres. The dimensions are mean values and apply to standard-specification, unladen vehicles



View offers

- > Saloon
- > Estate



Book a test drive

- > Saloon
- > Estate
- > AMG



Find a Retailer



View the Range Guide

Road Fund Licence



All road vehicle registrations are subject to Vehicle Excise Duty (Road Fund Licence), which varies in accordance with the vehicle's CO₂ emissions. A first year rate of Vehicle Excise Duty applies to new cars on their first year of registration. For the second and subsequent years a standard rate for each taxation band will apply.¹ The table below shows the bands (A-M) created by the DVLA and the corresponding Road Fund Licence. CO₂ emissions are listed in the technical data on pages 70 and 75, and the relevant Excise Duty is reflected in the on-the-road prices on pages 9-12.

Band	CO ₂ emissions	Petrol/Diesel		Electric/Hybrid	
		First year rate (£)	Standard rate (£)	First year rate (£)	Standard rate (£)
A	up to 100 g/km	0.00	0.00	0.00	0.00
B	101-110 g/km	0.00	20.00	0.00	10.00
C	111-120 g/km	0.00	30.00	0.00	20.00
D	121-130 g/km	0.00	110.00	0.00	100.00
E	131-140 g/km	130.00	130.00	120.00	120.00
F	141-150 g/km	145.00	145.00	135.00	135.00
G	151-165 g/km	185.00	185.00	175.00	175.00
H	166-175 g/km	300.00	210.00	290.00	200.00
I	176-185 g/km	355.00	230.00	345.00	220.00
J	186-200 g/km	500.00	270.00	490.00	260.00
K	201-225 g/km	650.00	295.00	640.00	285.00
L	226-255 g/km	885.00	500.00	875.00	490.00
M	over 255 g/km	1,120.00	515.00	1,110.00	505.00

¹For further information on vehicle taxation please refer to <http://carfueldata.direct.gov.uk/>



View offers

- > Saloon
- > Estate



Book a test drive

- > Saloon
- > Estate
- > AMG



Find a Retailer



View the Range Guide

Services and insurance

Mercedes-Benz Service Care

We believe that servicing costs should be as flexible and affordable as possible for your C-Class, which is why we offer Service Care, an easy way to budget for all your servicing costs. It spreads your bills into manageable payments based on whether you have a new or used Mercedes-Benz.

With Service Care we guarantee the price of parts and labour for up to four services and safeguard against any further inflation. It also covers the cost of any additional items including brake fluid, spark plugs, air filters, fuel filters and screen wash.

You can choose either to add your servicing costs into your monthly spend or pay the full amount in a one-off payment, giving you peace of mind that they are taken care of for the period of the plan.

To receive a personalised Service Care plan recommendation visit the Service Care Calculator at servicecarerates.mercedes-benz.co.uk

Warranty and breakdown cover

Every Mercedes-Benz comes with a three-year unlimited mileage warranty against manufacturing or material defects¹ and up to 30 years warranty against perforation due to corrosion from the inside out.² What's more, it's also covered by Mercedes-Benz Roadside Assistance – a unique package comprising up to 30 years pan-European breakdown assistance.²

Insurance

Since our name is synonymous with reliability, who better to trust with your motor insurance? Mercedes-Benz Insurance provides a motor insurance policy specifically designed to give you the cover you would expect from Mercedes-Benz. For a motor insurance quotation, call **0345 600 2180**.*

¹Applies to vehicles sold by Mercedes-Benz in the UK to its franchised Retailers ²Subject to full Terms and Conditions, dependent on date of registration, available upon request Mercedes-Benz Motor Insurance is underwritten by Aviva Insurance UK Limited. Credit provided, subject to status, by Mercedes-Benz Financial Services UK Ltd, MK15 8BA *For joint protection, calls may be recorded and/or monitored. All calls charged at local rate. We may decline to quote in some circumstances



View offers

- > Saloon
- > Estate



Book a test drive

- > Saloon
- > Estate
- > AMG



Find a Retailer



View the Range Guide

The Mercedes that thinks and acts for you.

Imagine if...

...you could connect with your Mercedes-Benz?

With Mercedes me connect, you can; with Remote Online services¹ that include trip planning, maintenance management and vehicle tracking, plus more.

Getting connected is easy. Just set up your Mercedes me account and get in touch with your Mercedes-Benz Retailer to connect your vehicle to your profile to access your Mercedes me connect services.

...you knew beforehand that you need to stop for fuel?

Simply check the fuel level and mileage range from your phone wherever you are. You can also check tyre pressure and washer fluid level. (For electric cars, you can check battery charge state.)

...your Mercedes could tell you where it's parked?

You no longer need to ask yourself where you left your car; with Mercedes me connect you can locate your car from your smartphone or tablet within a mile radius.



1. PARKED VEHICLE LOCATOR
2. VEHICLE TRACKER

3. REMOTE RETRIEVAL OF VEHICLE STATUS
4. PRE-ENTRY CLIMATE CONTROL FOR ELECTRIC DRIVE AND PLUG-IN HYBRID



View offers

- > Saloon
- > Estate



Book a test drive

- > Saloon
- > Estate
- > AMG



Find a Retailer



View the Range Guide

...you could lock your Mercedes, even if you're miles away?

The uncertainty of whether you've forgotten to lock the car is only human. To make sure your Mercedes-Benz is safe and secure, you can simply lock the car remotely via your PC/Mac, tablet or smartphone.

...your Mercedes told you when your service is due?

Being connected means essential data is constantly sent to your Mercedes-Benz Retailer so they know when it is time for a service. Your Retailer can then contact you with a tailor-made service quote.

...your Retailer already knows which parts need replacing?

As surprising as this sounds, with telediagnosics your Retailer can recognise remotely if certain parts are due for replacement, contacting you to book an appointment and making sure the relevant parts are in stock when you arrive, getting you back on the road as quickly as possible.

...you could just push a button to deal with a breakdown?

Should your car break down, with a simple press of the button everything is taken care of – from breakdown assistance to vehicle recovery.

...your Mercedes called for help?

Your Mercedes comes with an SOS button. Press it if you need urgent help and you will be contacted by the emergency response centre.² In the event of an accident where airbags or seatbelt tensioners have been activated, a call is placed automatically. Your GPS position is sent to the response teams to initiate rescue efforts.³

The Mercedes that thinks and acts for you.

Contact your Retailer to get connected, or go to www.mercedes.me for more details.

¹This is available as an option in conjunction with Audio 20 CD, and standard with COMAND Online. Remote Online is standard with electric drive and plug-in hybrid. Use of the Remote Online equipment option is limited to three years from first registration of the vehicle and can then be extended at extra cost.

²A call is placed via the car's sim card, rather than the customer relying on their mobile phone.

³This feature is still available to customers without Mercedes me connect services. The customer is not required to accept the terms and conditions on the portal to activate this feature. For all other features the customer will have to accept terms and conditions on the portal to activate them.



View offers

- > Saloon
- > Estate



Book a test drive

- > Saloon
- > Estate
- > AMG



Find a Retailer



View the Range Guide

Mercedes-Benz Finance

Why should you finance with Mercedes-Benz?

At Mercedes-Benz we believe a great driving experience should be matched by an equally great ownership experience. That is why we put just as much thought, time and effort into designing our finance options, our service plans and our insurance cover as we do into our vehicles.

We are not in the business of simply providing a loan to fund the purchase of your dream vehicle. We look on it as a journey that we take with you, from the moment you choose your new Mercedes-Benz, to helping you in choosing your next one.

If you would like to find out more about any of our current offers, simply call into your local Mercedes-Benz Retailer where one of our Business Managers will be more than happy to talk you through anything you need to know.

Helping you find the right solution.

You should find our finance packages are more convenient than a traditional personal loan because:

- Funds are immediately available – no waiting for cheques or loans to clear.
- There is no security required – either against your home or other assets.
- We have clear and transparent rates – the APR we quote is the APR you get.
- We have friendly Business Managers – experts in vehicle finance who can talk you through all of your plans in detail.

One of our most popular finance products is Mercedes-Benz Agility (our Personal Contract Purchase product). We also offer Contract Hire, Operating Lease and Hire Purchase solutions. If you would like to find out more about these speak to your Retailer or visit www.mercedes-benz.co.uk/fandi.

Mercedes-Benz Agility (our PCP product).

At the start of an Agility agreement, you put down a deposit and decide the term of your agreement and your annual mileage. You will be advised of the Guaranteed Future Value, which offers you the reassurance of knowing exactly what you will need to pay to own the vehicle outright in the future (this is known as the Optional Purchase Payment).

Throughout your agreement you simply pay your agreed monthly payments and when the agreement comes to an end you either purchase, hand back or part-exchange your vehicle.





View offers

- > Saloon
- > Estate



Book a test drive

- > Saloon
- > Estate
- > AMG



Find a Retailer



View the Range Guide

Agility features:

- Fixed regular payments mean you can easily budget.
- Payments are based only on a proportion of the vehicle's value, keeping your monthly payments lower.
- Our Guaranteed Future Value avoids the risk of unplanned depreciation of your vehicle.
- You defer your ownership decision until the end of the agreement.

At the end of your agreement you have three options to choose from.

Option 1: Purchase your Mercedes-Benz.

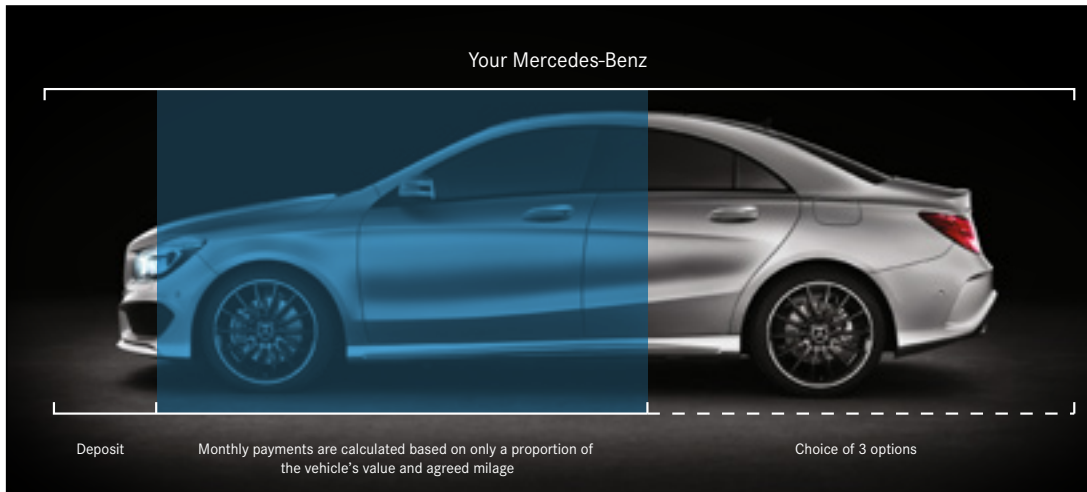
Purchase your Mercedes-Benz by paying the Optional Purchase Payment and Purchase Activation Fee.¹ This will complete the purchase of your Mercedes-Benz, leaving you free to simply enjoy your vehicle.

Option 2: Hand back your Mercedes-Benz.

If you decide to return your vehicle to us, it must be in line with our Vehicle Return Standards,* as vehicle condition, excess mileage and other charges may be payable.

Option 3: Part-Exchange for a new vehicle.

Purchase your Mercedes-Benz by paying the Optional Purchase Payment and Purchase Activation Fee.¹ This will complete the purchase of your Mercedes-Benz, leaving you free to part-exchange for a new vehicle.



¹Please note the 'Purchase Activation Fee' of £10 will be debited from your account *To find out more information about our Vehicle Return Standards please visit <http://mercedes-benz.co.uk/vrs>



View offers

- > Saloon
- > Estate



Book a test drive

- > Saloon
- > Estate
- > AMG



Find a Retailer



View the Range Guide

Follow us on the following social media channels:



<https://www.facebook.com/MercedesBenzUk>



<https://twitter.com/mercedesbenzUK>



<https://www.youtube.com/mercedesbenzUK>



<https://instagram.com/mercedesbenzUK>

Effective from 1 April 2016. Information correct at time of publication.

Prices and specifications are subject to change without prior notice.

MBWS205PL/0416