



> View offers



Book a

- > test drive
- > AMG test drive



> Find a Retailer



> View the Range Guide

GLA



Effective from 1 June 2016 Production.

Mercedes-Benz



Contents

| | | | | | |
|---|----|--|----|------------------------|----|
| Model prices | 11 | Standard equipment | 32 | Colours and materials | 55 |
| Finance offers | 13 | Wheels | 38 | Technical data | 59 |
| SE, Sport and AMG Line | 17 | Lane Tracking package and Driving Assistance package | 41 | Road Fund Licence | 63 |
| Executive, Premium and Premium Plus equipment lines | 23 | Exclusive and AMG Exclusive packages | 42 | Services and insurance | 64 |
| Mercedes-AMG GLA 45 4MATIC | 26 | Night and AMG Night packages | 44 | Mercedes me | 65 |
| Premium equipment line for Mercedes-AMG GLA 45 4MATIC | 28 | AMG Aerodynamic package | 46 | Mercedes-Benz Finance | 67 |
| Mercedes-AMG driver training | 29 | Carbon Fibre package | 47 | | |
| Pricing summary for model and equipment lines | 31 | Optional equipment | 48 | | |
| | | Genuine Accessories | 52 | | |

The hard facts to melt your heart

At Mercedes-Benz we appreciate the importance of detail. Over the following pages you'll find model prices and a breakdown of standard and optional equipment, as well as details of the comprehensive services and benefits that are available to every Mercedes-Benz driver.

See Mercedes-Benz in a new light. Now is the time to get yourself behind the wheel of a GLA. Choose from a number of attractive finance offers. Please see pages 13–16 for further details, or visit www.mercedes-benz.co.uk/offers

Of course, some things have to be experienced to be truly appreciated, such as the qualities that set a Mercedes-Benz apart. Which is why we'd like to invite you for a test drive at your local Mercedes-Benz Retailer. Alternatively, you can make arrangements by visiting www.mercedes-benz.co.uk/testdrive

For more information visit www.mercedes-benz.co.uk or call 0333 222 0500.



> View offers



Book a

- > test drive
- > AMG test drive



> Find a Retailer



> View the Range Guide



Some of the model features, optional extras and colours shown may not be available, or may only be available in a different specification.



> View offers



Book a

- > test drive
- > AMG test drive



> Find a Retailer



> View the Range Guide



Some of the model features, optional extras and colours shown may not be available, or may only be available in a different specification.



> View offers



Book a

- > test drive
- > AMG test drive



> Find a Retailer



> View the Range Guide



Some of the model features, optional extras and colours shown may not be available, or may only be available in a different specification.



> View offers



Book a

- > test drive
- > AMG test drive



> Find a Retailer



> View the Range Guide



Some of the model features, optional extras and colours shown may not be available, or may only be available in a different specification.



> View offers



Book a
> test drive
> AMG test drive



> Find a Retailer



> View the Range Guide



Model features optional equipment at an additional cost.



> View offers



Book a

- > test drive
- > AMG test drive



> Find a Retailer



> View the Range Guide



Model features optional equipment at an additional cost.



> View offers



Book a

- > test drive
- > AMG test drive



> Find a Retailer



> View the Range Guide



Some of the model features, optional extras and colours shown may not be available, or may only be available in a different specification.

Model prices

| Engine | Model line | Transmission | CO ₂ | Basic RRP excl. VAT (£) | Total RRP incl. VAT (£) | Road Fund Licence (£) ¹ | Rec. OTR price (£) ² | P11D value (£) | BiK tax rate 2016/17 (%) |
|---|------------|---|-----------------|----------------------------|----------------------------|---------------------------------------|------------------------------------|-------------------|-----------------------------|
| GLA 200 d Diesel – 2,143 cc, 4-cylinder, 136 hp/100 kW | SE | 6-speed manual | 110 | 21,720.83 | 26,065.00 | 0.00 | 26,735.00 | 26,680.00 | 22 |
| | | 7G-DCT 7-speed automatic | 108 | 22,970.83 | 27,565.00 | 0.00 | 28,235.00 | 28,180.00 | 21 |
| | Sport | 6-speed manual | 110 | 22,550.00 | 27,060.00 | 0.00 | 27,730.00 | 27,675.00 | 22 |
| | | 7G-DCT 7-speed automatic | 108 | 23,800.00 | 28,560.00 | 0.00 | 29,230.00 | 29,175.00 | 21 |
| | AMG Line | 6-speed manual | 115 | 23,629.17 | 28,355.00 | 0.00 | 29,025.00 | 28,970.00 | 23 |
| | | 7G-DCT 7-speed automatic | 115 | 24,879.17 | 29,855.00 | 0.00 | 30,525.00 | 30,470.00 | 23 |
| GLA 200 d 4MATIC Diesel – 2,143 cc, 4-cylinder, 136 hp/100 kW | Sport | 7G-DCT 7-speed automatic, 4-wheel drive | 130 | 25,050.00 | 30,060.00 | 0.00 | 30,730.00 | 30,675.00 | 26 |
| | AMG Line | 7G-DCT 7-speed automatic, 4-wheel drive | 130 | 26,129.17 | 31,355.00 | 0.00 | 32,025.00 | 31,970.00 | 26 |
| GLA 220 d 4MATIC Diesel – 2,143 cc, 4-cylinder, 177 hp/130 kW | Sport | 7G-DCT 7-speed automatic, 4-wheel drive | 130 | 26,241.67 | 31,490.00 | 0.00 | 32,160.00 | 32,105.00 | 26 |
| | AMG Line | 7G-DCT 7-speed automatic, 4-wheel drive | 130 | 27,320.83 | 32,785.00 | 0.00 | 33,455.00 | 33,400.00 | 26 |

¹ A different first year rate of Vehicle Excise Duty (Road Fund Licence) applies for new cars. Please refer to page 63 for the relevant rate for the second and subsequent years

² Recommended on-the-road price: these prices reflect the Road Fund Licence applicable to the standard model plus £670.00 additional costs necessary to put your car on the road.

Included are a standard UK delivery charge (£540.00 incl. VAT), new vehicle registration fee (£55.00), number plates (£25.00 incl. VAT) and fuel (£50.00 incl. VAT). VAT is calculated at the standard rate of 20%

| Engine | Model line | Transmission | CO ₂ | Basic RRP excl. VAT (£) | Total RRP incl. VAT (£) | Road Fund Licence (£) ¹ | Rec. OTR price (£) ² | P11D value (£) | BiK tax rate 2016/17 (%) |
|---|------------|--|-----------------|----------------------------|----------------------------|---------------------------------------|------------------------------------|-------------------|-----------------------------|
| GLA 200 Petrol – 1,595 cc, 4-cylinder, 156 hp/115 kW | SE | 6-speed manual | 134 | 20,383.33 | 24,460.00 | 130.00 | 25,260.00 | 25,075.00 | 23 |
| | | 7G-DCT 7-speed automatic | 131 | 21,633.33 | 25,960.00 | 130.00 | 26,760.00 | 26,575.00 | 23 |
| | Sport | 6-speed manual | 134 | 21,212.50 | 25,455.00 | 130.00 | 26,255.00 | 26,070.00 | 23 |
| | | 7G-DCT 7-speed automatic | 131 | 22,462.50 | 26,955.00 | 130.00 | 27,755.00 | 27,570.00 | 23 |
| | AMG Line | 6-speed manual | 138 | 22,291.67 | 26,750.00 | 130.00 | 27,550.00 | 27,365.00 | 24 |
| | | 7G-DCT 7-speed automatic | 135 | 23,541.67 | 28,250.00 | 130.00 | 29,050.00 | 28,865.00 | 24 |
| GLA 250 4MATIC Petrol – 1,991 cc, 4-cylinder, 211 hp/155 kW | Sport | 7G-DCT 7-speed automatic, 4-wheel drive | 155 | 25,829.17 | 30,995.00 | 185.00 | 31,850.00 | 31,610.00 | 28 |
| | AMG Line | 7G-DCT 7-speed automatic, 4-wheel drive | 155 | 26,908.33 | 32,290.00 | 185.00 | 33,145.00 | 32,905.00 | 28 |
| Mercedes-AMG | | | | | | | | | |
| Mercedes-AMG GLA 45 4MATIC Petrol – 1,991 cc, 4-cylinder, 381 hp/280 kW | - | AMG SPEEDSHIFT DCT 7-speed automatic, 4-wheel drive | 172 | 37,154.17 | 44,585.00 | 300.00 | 45,555.00 | 45,200.00 | 31 |

¹ A different first year rate of Vehicle Excise Duty (Road Fund Licence) applies for new cars. Please refer to page 63 for the relevant rate for the second and subsequent years

² Recommended on-the-road price: these prices reflect the Road Fund Licence applicable to the standard model plus £670.00 additional costs necessary to put your car on the road.

Included are a standard UK delivery charge (£540.00 incl. VAT), new vehicle registration fee (£55.00), number plates (£25.00 incl. VAT) and fuel (£50.00 incl. VAT). VAT is calculated at the standard rate of 20%

Mercedes-Benz Finance

Where the clever money goes



GLA 200 d Sport with manual transmission (representative example)

| | |
|--|-------------|
| 48 monthly payments of ¹ | £299.00 |
| Customer deposit | £2,999.00 |
| On-the-road price | £27,730.00 |
| Retailer deposit contribution | £1,649.08 |
| Optional purchase payment ² | £12,450.00 |
| Amount of credit | £23,081.92 |
| Duration of agreement | 48 months |
| Total amount payable ³ | £31,460.08 |
| Purchase activation fee ² | £10.00 |
| APR | 5.3% |
| Fixed interest rate | 5.15% |
| Excess mileage | 7p per mile |

**Example offers –
5.3% APR Representative**

| | Automatic | On-the-road price | Retailer deposit contribution | Customer deposit | 48 monthly payments of ¹ |
|---------------------------|-----------|-------------------|-------------------------------|------------------|-------------------------------------|
| GLA 200 d AMG Line | – | £29,025.00 | £1,649.08 | £3,392.89 | £309.00 |
| GLA 220 d 4MATIC AMG Line | ● | £33,455.00 | £1,649.08 | £3,831.70 | £349.00 |

● Standard equipment ○ Optional equipment included in the price

Mercedes-Benz Service Care

- Mercedes-Benz trained Technicians
- Maintained by Mercedes-Benz Retailers
- Meets requirements of Mercedes-Benz Agility finance agreement

Mercedes-Benz Motor Insurance

- 24/7 UK accident recovery
- We use Mercedes-Benz GenuineParts
- To qualify for up to 10% discount online, go to www.mercedes-benz.co.uk/motorinsurance
- Alternatively, call Mercedes-Benz Motor Insurance now on **0345 600 2180⁴** for an annual quote

We may decline to quote in some circumstances. Mercedes-Benz Motor Insurance is underwritten by Aviva Insurance Limited

Content relating to finance is promoted by Mercedes-Benz Finance. Your Retailer may offer finance on behalf of other companies.

Orders/credit approvals on selected GLA models only, between 1 July and 30 September 2016, registered by 31 December 2016; excluding Mercedes-AMG GLA 45 models. Some combinations of features/options may not be available. Please contact your local Mercedes-Benz Retailer for availability

¹Based on a Mercedes-Benz Agility agreement. Vehicle condition, excess mileage and other charges may be payable. Quotations available on request for alternative contract lengths and mileages.

Guarantees may be required. Credit provided, subject to status, by Mercedes-Benz Finance, MK15 8BA

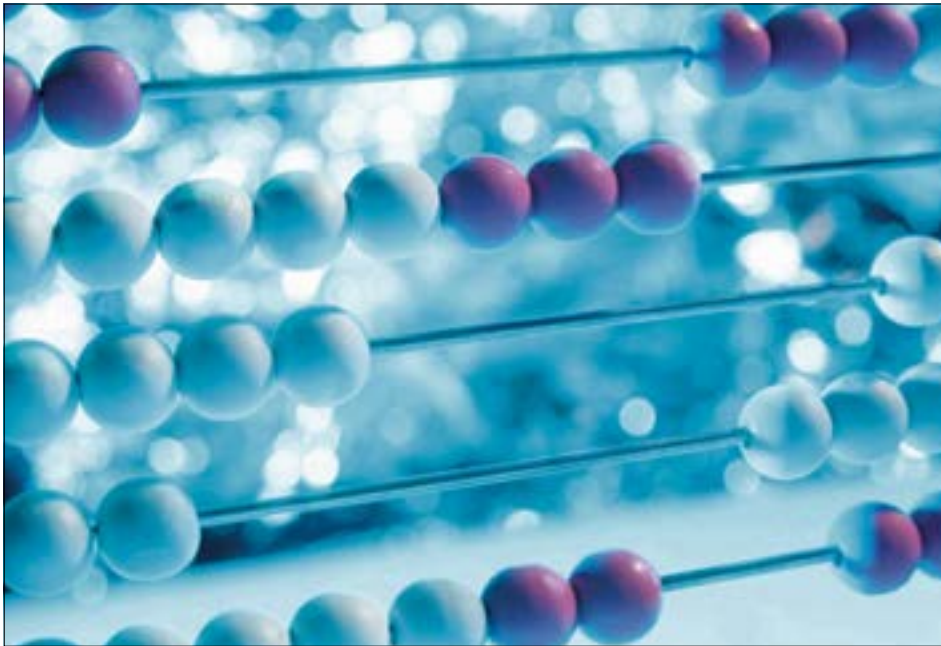
²Payable if you exercise the option to purchase the car

³Includes optional purchase payment, purchase activation fee and Retailer deposit contribution (where applicable)

⁴Calls are charged at local rate and may be recorded

Mercedes-Benz Finance

Even the finance offer is beautifully put together



Mercedes-AMG GLA 45 4MATIC with optional metallic paint (representative example)

| | |
|--|-------------|
| 36 monthly payments of ¹ | £499.00 |
| Customer deposit | £5,999.00 |
| On-the-road price | £46,130.00 |
| Retailer deposit contribution | £2,969.25 |
| Optional purchase payment ² | £23,975.00 |
| Amount of credit | £37,161.75 |
| Duration of agreement | 36 months |
| Total amount payable ³ | £50,917.25 |
| Purchase activation fee ² | £10.00 |
| APR | 5.3% |
| Fixed interest rate | 5.15% |
| Excess mileage | 7p per mile |

**Example offers –
5.3% APR Representative**

| | Automatic | Metallic | On-the-road price | Retailer deposit contribution | Customer deposit | 36 monthly payments of ¹ |
|----------------------------|-----------|----------|-------------------|-------------------------------|------------------|-------------------------------------|
| Mercedes-AMG GLA 45 4MATIC | ● | ○ | £46,130.00 | £2,969.25 | £5,999.00 | £499.00 |

● Standard equipment ○ Optional equipment included in the price

Mercedes-Benz Service Care

- Mercedes-Benz trained Technicians
- Maintained by Mercedes-Benz Retailers
- Meets requirements of Mercedes-Benz Agility finance agreement

Mercedes-Benz Motor Insurance

- 24/7 UK accident recovery
- We use Mercedes-Benz GenuineParts
- To qualify for up to 10% discount online, go to www.mercedes-benz.co.uk/motorinsurance
- Alternatively, call Mercedes-Benz Motor Insurance now on **0345 600 2180**⁴ for an annual quote

We may decline to quote in some circumstances. Mercedes-Benz Motor Insurance is underwritten by Aviva Insurance Limited

Content relating to finance is promoted by Mercedes-Benz Finance. Your Retailer may offer finance on behalf of other companies.

Orders/credit approvals on Mercedes-AMG GLA 45 models only, between 1 July and 30 September 2016, registered by 31 December 2016; excluding non-Mercedes-AMG models. Some combinations of features/options may not be available. Please contact your local Mercedes-Benz Retailer for availability

¹Based on a Mercedes-Benz Agility agreement. Vehicle condition, excess mileage and other charges may be payable. Quotations available on request for alternative contract lengths and mileages.

Guarantees may be required. Credit provided, subject to status, by Mercedes-Benz Finance, MK15 8BA

²Payable if you exercise the option to purchase the car

³Includes optional purchase payment, purchase activation fee and Retailer deposit contribution (where applicable)

⁴Calls are charged at local rate and may be recorded



> View offers



Book a

- > test drive
- > AMG test drive



> Find a Retailer



> View the Range Guide

GLA SE



The GLA SE: the superbly-designed allrounder



Sahara beige ARTICO leather¹ with carbon-structure trim

The GLA SE with 17" alloy wheels in a 5-twin spoke design, beltline strips in chrome optic and twin-louvre grille makes a strong impression with new

styling features inside and out. The interior of the SE features ARTICO leather¹ upholstery for the seats with extendable seat cushions.

Exterior

17" alloy wheels – 5-twin-spoke design

Active Brake Assist

Aluminium roof rails in high-gloss black

Beltline trim strip in chrome look

EASY-PACK powered tailgate

Halogen headlamps with integral daytime running lamps

Off-road comfort suspension

Privacy glass from B-pillar

Radiator grille with two silver-painted louvres and chrome inserts

Interior

Audio 20 CD multimedia system including pre-installation for Garmin® MAP PILOT navigation system

Comfort seats upholstered in ARTICO leather¹

Media Interface allows connection and control of portable media devices (e.g. MP3 player, USB storage media)

Rear armrest with two cup holders

Reversing camera with 180° view

Smartphone integration comprising Apple CarPlay™

Steering wheel – 3-spoke multifunction steering wheel in leather with 12 control buttons

Storage package

Sunglasses compartment in overhead control panel, storage boxes underneath front seats, storage nets behind front seats and in passenger footwell

THERMATIC – air conditioning

Trim and Upholstery

Carbon structure



Black ARTICO leather¹



Sahara beige ARTICO leather¹



Crystal grey ARTICO leather¹



¹Man-made leather



> View offers



Book a

- > test drive
- > AMG test drive



> Find a Retailer



> View the Range Guide

GLA Sport



The GLA Sport: style, power, exhilarating technology and many practical features



Crystal grey ARTICO leather¹ with silver wave-design trim



Twin-pipe exhaust system with chrome trim



Crystal grey ARTICO leather¹ rear seats and armrest with cup holders

The Mercedes-Benz GLA Sport conquers the road with style, functionality and exhilarating technology – from the chrome-style front apron and the 18" alloy wheels to the twin-pipe exhaust system with chrome detail. The Sport interior welcomes you with ARTICO leather¹ upholstery and a wave-design trim in silver or anthracite. The nappa leather-trimmed multi-function 12-button steering wheel puts all your driving information at your fingertips. Along the way you're supported by clever technology:

ATTENTION ASSIST alerts you if you lose concentration on long journeys, while the reversing camera helps you keep the GLA scratch-free. The rear armrest has two cup holders, and there are plenty of useful stowage areas throughout – including up to 481 litres of luggage space in the boot. For your entertainment, the GLA Sport comes with Audio 20 CD multimedia system featuring a 8-inch Media Display.

Exterior

18" alloy wheels – 5-twin-spoke design

Aluminium roof rails and illuminated door sill panels

DYNAMIC SELECT – with a choice of driving modes: ECO, Comfort, Sport and Individual

Privacy glass

Rain-sensing windscreen wipers

Twin-pipe exhaust system with chrome trim

Interior

8-inch Media Display

Illumination for stowage compartment and vanity mirrors

Rear armrest with two cup holders

Steering wheel – 3-spoke multi-function steering wheel, trimmed in nappa leather with perforated leather in grip area

THERMOTRONIC – luxury automatic climate control (two-zone)

Trim and Upholstery

Silver wave design



Anthracite wave design



Black ARTICO leather¹



Sahara beige ARTICO leather¹



Crystal grey ARTICO leather¹



¹Man-made leather

GLA AMG Line



The AMG Line features AMG bodystyling, 19" AMG alloy wheels and front brake calipers with 'Mercedes-Benz' lettering



Black ARTICO leather¹/DINAMICA microfibre with red stitching



AMG bodystyling and rear apron in matt titanium grey



Flat-bottomed sports multi-function steering wheel

The GLA AMG Line lends even greater sporty appeal to our striking new SUV. Equipped with all the functional and technological assets of the Sport, the GLA AMG Line also comes with AMG bodystyling, perforated front brake discs and brake calipers with 'Mercedes-Benz' lettering.

In addition/replacement to Sport:

Exterior

19" AMG alloy wheels - 5-spoke design

AMG bodystyling in front and rear apron and along side sill panels

Brakes - front brake calipers with 'Mercedes-Benz' lettering

Brakes - perforated front brake discs

Tyres with run-flat technology

Interior

AMG floor mats with red-stitched edging

Brushed stainless steel sports pedals with rubber studs

Light aluminium trim with longitudinal grain

Sports seats with upholstery in black ARTICO leather¹/DINAMICA microfibre with red contrast stitching

Steering wheel - 12-button multi-function leather steering wheel, 3-spoke design with perforated grip area, flattened bottom section and red contrast stitching

The sports seats with integrated head restraints featuring black ARTICO leather¹/DINAMICA microfibre upholstery offer support on every terrain, and for a firm grip the brushed stainless steel sports pedals are fitted with rubber studs.

Trim and Upholstery

Light aluminium with longitudinal grain

Black ARTICO leather¹/DINAMICA microfibre with red contrast stitching

¹Man-made leather

Executive equipment line



Image shows 8-inch Media Display



Heated seats



Parking Pilot

The Executive equipment line lets you enjoy each journey that little bit more. It includes Parking Pilot, the highly sophisticated Garmin® MAP PILOT navigation system and heated front seats.

Executive equipment line (code DP3) – designed and priced as a package, including items as listed below.

SE, Sport and AMG Line

Total incl. VAT £995.00

Executive equipment line comprises:

Garmin® MAP PILOT navigation system

Operation via controller, touchpad or voice control. SD card navigation with instructions shown on the Media Display. Includes 3D views with visualisation of roads and buildings as well as junction and lane assistants, making it easy for drivers to orient themselves.

Spoken instructions are emitted through vehicle's built-in speakers. Software and map can be updated online

Heated front seats

Parking Pilot

Premium equipment line



Bi-xenon headlamps with integrated LED daytime running lamps and headlamp wash



Ambient lighting



Automatically dimming driver's exterior mirror

The Premium equipment line increases the comfort of your Sport or AMG Line. This equipment line comprises all the features of the Executive equipment line, as well as ambient lighting, automatically dimming mirrors with electrically folding exterior mirrors and bi-xenon headlamps, with integrated LED daytime running lamps and headlamp wash.

Premium equipment line (code DP0) – designed and priced as a package, including items as listed below.

Sport and AMG Line

Total incl. VAT £1,695.00

Standard on Mercedes-AMG GLA 45 4MATIC

Premium equipment line comprises:

Ambient lighting (12-colour)

Automatically dimming driver's exterior mirror and rear view mirror

Electrically folding exterior mirrors

Garmin® MAP PILOT navigation system

Headlamps – bi-xenon, with integrated LED daytime running lamps and headlamp wash

Heated front seats

Parking Pilot

Premium Plus equipment line



Panoramic glass sunroof



Electrically adjustable front seats



KEYLESS-GO

If you want to take it up a notch, the Premium Plus equipment line for the Sport or AMG Line contains the same features as the Premium equipment line plus KEYLESS-GO for keyless locking, unlocking and starting; electrically adjustable front seats with four-way lumbar support; and a panoramic glass sunroof to brighten up the cabin.

Premium Plus equipment line (code DP1) – designed and priced as a package, including items as listed below.

Sport and AMG Line

Total incl. VAT £2,995.00

Premium Plus equipment line comprises:

Ambient lighting (12-colour)

Automatically dimming driver's exterior mirror and rear view mirror

Electrically adjustable front seats with four-way lumbar support. Exterior passenger mirror pivots down when reverse is selected. Memory programme with three individually selectable settings

Electrically folding exterior mirrors

Garmin® MAP PILOT navigation system

Headlamps – bi-xenon, with integrated LED daytime running lamps and headlamp wash

Heated front seats

KEYLESS-GO – keyless locking, unlocking and start of the vehicle

Panoramic glass sunroof (black roof lining as standard)

Parking Pilot

Mercedes-AMG GLA 45 4MATIC



The Mercedes-AMG GLA 45 4MATIC features AMG bodystyling, 19" AMG alloy wheels and bi-xenon headlamps



Privacy glass



AMG performance steering wheel



AMG Performance seats

The Mercedes-AMG GLA 45 4MATIC delivers outstanding performance and efficiency. Equipped with the world's most powerful 4-cylinder engine, the GLA 45 4MATIC produces 381 hp (280 kW) from a capacity of just 2 litres. The high-performance powertrain generates 475 Nm of torque and accelerates the car from 0–62 mph in 4.4 seconds. A walk around the GLA 45 4MATIC reveals striking characteristics: 19" AMG alloy wheels with red brake calipers,

In addition/replacement to AMG Line:

Exterior

- 19" AMG 5-twin-spoke alloy wheels
- AMG radiator grille with twin-louvre in matt titanium grey and 'AMG' lettering
- AMG sports exhausts with chromed twin tailpipes
- Brakes – AMG high-performance braking system with 3-stage ESP®
- Brakes – brake calipers painted red with 'AMG' lettering
- Door mirrors – electrically folding and auto-dimming (driver's side)
- Headlamps – bi-xenon, with integrated LED daytime running lamps and headlamp wash
- Parking Pilot

Interior

- 12-colour ambient lighting
- AMG DRIVE UNIT with E-SELECT gearshift lever with leather embossed AMG emblem and main key with AMG emblem

AMG bodystyling all round and AMG sports exhaust with chromed twin tailpipes. Inside, all the controls and displays reflect performance-driven design, like the AMG DRIVE UNIT with E-SELECT in the centre console and the AMG instrument cluster, for example. AMG Performance seats are upholstered in ARTICO leather¹/DINAMICA microfibre with red contrast stitching and red designo seat belts.

- AMG DYNAMIC SELECT – with a choice of driving modes: Comfort, Sport, Sport+ and Individual
- AMG instrument cluster with colour display and AMG menu
- AMG performance steering wheel in nappa leather/DINAMICA microfibre with aluminium gearshift paddles
- Automatically dimming rear view mirror
- Garmin® MAP PILOT navigation system
- Seat belts – designo seat belts in red
- Seats – AMG Performance seats, heated for driver and front passenger

Trim and Upholstery

- Light aluminium with longitudinal grain
- Black ARTICO leather¹/DINAMICA microfibre with red contrast stitching

¹Man-made leather

Premium equipment line for Mercedes-AMG GLA 45 4MATIC



Harman Kardon® Logic 7®



Panoramic glass sunroof



KEYLESS-GO

Why not enhance the Mercedes-AMG GLA 45 4MATIC even further by adding the Premium equipment line? It comes with the sophisticated Harman Kardon® Logic 7® surround sound system, electrically adjustable front seats with memory function; KEYLESS-GO for keyless locking, unlocking and starting and a panoramic glass sunroof.

Premium equipment line (code DP0) – designed and priced as a package, including items as listed below. **Total incl. VAT £1,895.00**

Premium equipment line comprises:

Electrically adjustable driver and front passenger seats with memory function. Exterior passenger mirror pivots down when reverse is selected. Memory programme with three individually selectable settings

Harman Kardon® Logic 7® surround sound system with Dolby Digital 5.1 and DTS

KEYLESS-GO – keyless locking, unlocking and start of the vehicle

Panoramic glass sunroof

Exclusive driver training for Mercedes-AMG owners

All Mercedes-AMG customers are invited to a complimentary AMG Driving Academy Training experience at Mercedes-Benz World.



With friendly one-to-one tuition from a professional Mercedes-AMG driver, your training will be personalised to you. You'll push Mercedes-AMG driving performance and your driving skills to the limits on our track and purpose-built low friction dynamic handling facilities.

Through high-speed and adrenaline-fuelled exercises you'll experience oversteer, understeer, slaloms and many more performance driving skills. Designed as part of your ownership experience, this will lay the foundations to master a high-performance vehicle, develop driving skills with maximum enjoyment and prepare you to take full command of your own Mercedes-AMG.

TERMS AND CONDITIONS

The following only are eligible: the first purchaser/registered keeper of a newly-registered Mercedes-AMG; the second owner/registered keeper of a Mercedes-AMG purchased from a Mercedes-Benz Retailer, where the vehicle is less than 90 days from registration. The AMG Driving Academy Training experience is the AMG BASIC-Training as detailed in the further information above and must be booked and taken within six months of delivery of your Mercedes-AMG; it cannot be exchanged and cannot be transferred for any other driving experience. The Training experience is available Monday to Friday only and is subject to availability. Mercedes-Benz UK Limited reserves the right to amend or withdraw this Training experience. Attendees must hold a full UK driving licence. Attendees will be required to sign the Mercedes-Benz World Driving Risk Acknowledgement prior to undertaking the Training experience. The Training experience is also subject to the Mercedes-Benz World Terms and Conditions, as applicable.



> View offers



Book a

- > test drive
- > AMG test drive



> Find a Retailer



> View the Range Guide



Pricing summary for model and equipment lines

| Model | Transmission | Recommended OTR price (£) ¹ | | | | | | | | | | | |
|----------------------------|---------------------------------------|--|--------------|-----------|-----------------|---------------|--------------------|-----------|--------------------|------------------|-----------------------|---------------|-----------------------|
| | | SE | SE Executive | Sport | Sport Executive | Sport Premium | Sport Premium Plus | AMG Line | AMG Line Executive | AMG Line Premium | AMG Line Premium Plus | GLA 45 4MATIC | GLA 45 4MATIC Premium |
| GLA 200 d | 6-speed manual | 26,735.00 | 27,730.00 | 27,730.00 | 28,725.00 | 29,425.00 | 30,725.00 | 29,025.00 | 30,020.00 | 30,720.00 | 32,020.00 | - | - |
| | 7G-DCT 7-speed auto. | 28,235.00 | 29,230.00 | 29,230.00 | 30,225.00 | 30,925.00 | 32,225.00 | 30,525.00 | 31,520.00 | 32,220.00 | 33,520.00 | - | - |
| GLA 200 d 4MATIC | 7G-DCT 7-speed auto., 4WD | - | - | 30,730.00 | 31,725.00 | 32,425.00 | 33,725.00 | 32,025.00 | 33,020.00 | 33,720.00 | 35,020.00 | - | - |
| GLA 220 d 4MATIC | 7G-DCT 7-speed auto., 4WD | - | - | 32,160.00 | 33,155.00 | 33,855.00 | 35,155.00 | 33,455.00 | 34,450.00 | 35,150.00 | 36,450.00 | - | - |
| GLA 200 | 6-speed manual | 25,260.00 | 26,255.00 | 26,255.00 | 27,250.00 | 27,950.00 | 29,250.00 | 27,550.00 | 28,545.00 | 29,245.00 | 30,545.00 | - | - |
| | 7G-DCT 7-speed auto. | 26,760.00 | 27,755.00 | 27,755.00 | 28,750.00 | 29,450.00 | 30,750.00 | 29,050.00 | 30,045.00 | 30,745.00 | 32,045.00 | - | - |
| GLA 250 4MATIC | 7G-DCT 7-speed auto., 4WD | - | - | 31,850.00 | 32,845.00 | 33,545.00 | 34,845.00 | 33,145.00 | 34,140.00 | 34,840.00 | 36,140.00 | - | - |
| Mercedes-AMG GLA 45 4MATIC | AMG SPEEDSHIFT DCT 7-speed auto., 4WD | - | - | - | - | - | - | - | - | - | - | 45,555.00 | 47,450.00 |

¹Recommended on-the-road price: these prices reflect the Road Fund Licence applicable to the standard model plus £670.00 additional costs necessary to put your car on the road. Included are a standard UK delivery charge (£540.00 incl. VAT), new vehicle registration fee (£55.00), number plates (£25.00 incl. VAT) and fuel (£50.00 incl. VAT). VAT is calculated at the standard rate of 20%

Standard equipment

| Item | SE | Sport | AMG Line | Mercedes-AMG GLA 45 |
|--|----|-------|----------|---------------------|
| Transmission and Suspension | | | | |
| 4MATIC package with Downhill Speed Regulator (DSR) | - | △ | △ | - |
| Cruise Control with Limiter | ● | ● | ● | ● |
| Driving modes – DYNAMIC SELECT with a choice of driving modes: ECO, Comfort, Sport and Individual | △ | ● | ● | - |
| Driving modes – AMG DYNAMIC SELECT with a choice of driving modes: Comfort, Sport, Sport+ and Individual | - | - | - | ● |
| ECO start/stop function | ● | ● | ● | ● |
| Suspension – AMG sports suspension | - | - | - | ● |
| Suspension – off-road comfort suspension | ● | ● | ● | - |
| Transmission – 6-speed manual transmission with shift point indicator | △ | △ | △ | - |
| Transmission – 7G-DCT 7-speed automatic transmission with DIRECT SELECT gearshift lever, steering wheel gearshift paddles and cruise control with SPEEDTRONIC variable speed limiter | △ | △ | △ | - |
| Transmission – AMG SPEEDSHIFT DCT 7-speed automatic sports transmission, aluminium steering wheel gearshift paddles, cruise control with SPEEDTRONIC variable speed limiter | - | - | - | ● |

| Item | SE | Sport | AMG Line | Mercedes-AMG GLA 45 |
|--|----|-------|----------|---------------------|
| Exterior | | | | |
| Beltline strips – chrome | ● | ● | ● | ● |
| Bodystyling – AMG bodystyling with front apron, rear apron and side skirts | - | - | ● | - |
| Bodystyling – AMG bodystyling Front apron with splitter in matt titanium grey and black flics over large outer air intakes Rear apron in diffuser look with matt titanium grey trim Side sill panels with inserts in matt titanium grey | - | - | - | ● |
| Brakes – AMG high-performance braking system 350x32mm brake discs (front) and 330x22mm (rear) | - | - | - | ● |
| Brakes – perforated front brake discs and red brake calipers with 'AMG' lettering | - | - | - | ● |
| Brakes – perforated front brake discs and brake calipers with 'Mercedes-Benz' lettering | - | - | ● | - |
| Bumpers – front and rear bumpers, body-coloured | ● | ● | ● | ● |
| Bumpers – front and rear apron trim, dark chrome | - | ● | - | - |
| Bumpers – front and rear apron trim, matt titanium grey | - | - | ● | - |
| Bumpers – front apron with splitter in matt titanium grey and black flics over large outer air intakes and rear apron in diffuser look with matt titanium grey trim | - | - | - | ● |

Standard equipment

33

| Item | SE | Sport | AMG Line | Mercedes-AMG GLA 45 |
|--|----|-------|----------|---------------------|
| Exterior (continued) | | | | |
| Door handles – body-coloured | ● | ● | ● | ● |
| Door mirrors – body-coloured with integrated LED indicators and aspherically curved mirror glass | ● | ● | ● | ● |
| Door mirrors – electrically folding and auto-dimming (driver's side) | - | △ | △ | ● |
| Door mirrors – electrically adjustable and heated | ● | ● | ● | ● |
| Door sills – illuminated with 'AMG' lettering in front | - | - | - | ● |
| Door sills – illuminated with 'Mercedes-Benz' lettering in front | - | ● | ● | - |
| Exhaust system – AMG sports exhaust system with two twin chrome-plated tailpipes | - | - | - | ● |
| Exhaust system – visible two-pipe exhaust system with chrome tailpipe tips | - | ● | ● | - |
| Glass – privacy glass from B-pillar backwards | ● | ● | ● | ● |
| Glass – rear windscreen, heated with timer control | ● | ● | ● | ● |
| Lights – bi-xenon headlamps with integrated LED daytime running lamps and headlamp wash | - | △ | △ | ● |
| Lights – full LED tail lights | - | △ | △ | ● |
| Lights – halogen headlamps | ● | ● | ● | - |
| Lights – partial LED tail lights | ● | ● | ● | - |

| Item | SE | Sport | AMG Line | Mercedes-AMG GLA 45 |
|---|----|-------|----------|---------------------|
| Lights – third brake light in LED technology | ● | ● | ● | ● |
| Parking – Parking Pilot | ○ | ○ | ○ | ● |
| Parking – reversing camera with 180° view | ● | ● | ● | ● |
| Radiator grille – AMG grille with twin louvre in matt titanium grey and 'AMG' lettering | - | - | - | ● |
| Radiator grille – two louvres in silver with chrome highlights | ● | ● | ● | - |
| Roof rails – aluminium | - | ● | ● | ● |
| Roof rails – high-gloss black | ● | - | △ | △ |
| Tailgate – EASY-PACK powered tailgate | ● | ● | ● | ● |
| Wiper system – heated front windscreen washer system | ● | ● | ● | ● |
| Wiper system – rear windscreen wiper with intermittent wipe and automatic activation when reversing | ● | ● | ● | ● |
| Wiper system – windscreen wipers with rain sensor with two sensitivity stages | - | ● | ● | ● |

Standard equipment

| Item | SE | Sport | AMG Line | Mercedes-AMG GLA 45 |
|---|----|-------|----------|---------------------|
| Interior | | | | |
| Air conditioning – air vents with black surround, red insert and cruciform nozzle | - | - | - | ● |
| Air conditioning – air vents with chrome surround and cruciform nozzle | ● | ● | ● | - |
| Air conditioning – THERMATIC | ● | - | - | - |
| Air conditioning – THERMOTRONIC, luxury automatic climate control, two-zone, with display | - | ● | ● | ● |
| Armrest – front centre, with stowage | ● | ● | ● | ● |
| Armrest – rear centre, with twin cup holder and through-loading facility | ● | ● | ● | ● |
| Electronic key – chrome surround | ● | ● | ● | - |
| Electronic key – chrome surround, with AMG crest for master key | - | - | - | ● |
| Floor mats – with red stitched edging and ‘AMG’ lettering | - | - | ● | ● |
| Gearshift – AMG DRIVE UNIT with leather-trimmed gearshift | - | - | - | ● |
| Gearshift – leather-trimmed, with silver chrome trim | △ | △ | △ | - |
| Instrument cluster – AMG instrument cluster with colour display and AMG menu | - | - | - | ● |
| Instrument cluster – fluid level warning indicator for fuel, oil, coolant and washer fluid | ● | ● | ● | ● |
| Instrument cluster – instrument cluster with 4 analogue dials and needles suspended in six o’clock position | ● | ● | ● | ● |
| Instrument cluster – outside temperature gauge | ● | ● | ● | ● |
| Instrument cluster – service indicator ASSYST | ● | ● | ● | ● |

| Item | SE | Sport | AMG Line | Mercedes-AMG GLA 45 |
|--|----|-------|----------|---------------------|
| Instrument cluster – trip computer in multi-function display showing current fuel consumption | ● | ● | ● | ● |
| Interior lighting – 12-colour ambient lighting | - | △ | △ | ● |
| Interior lighting – courtesy (white) and warning (red) lights in the front doors and boot lid | - | ● | ● | ● |
| Interior lighting – footwell lights in front and rear | - | ● | ● | ● |
| Interior lighting – lighting in stowage compartment and sun visors with illuminated vanity mirrors | - | ● | ● | ● |
| Interior lighting – rear interior lighting with integrated reading lamps and locator lighting | - | ● | ● | ● |
| Interior lighting – single-colour ambient lighting in headrests | - | - | ● | - |
| Interior lighting – single-colour ambient lighting in interior door handles | - | ● | ● | ● |
| Interior lighting – sun visors with illuminated vanity mirror for driver and front passenger | - | ● | ● | ● |
| Pedals – brushed stainless steel sports pedals with rubber studs | - | - | ● | ● |
| Rear view mirror – auto-dimming | - | △ | △ | ● |
| Seats – Seat Comfort package Seat height adjusters and seat cushion angle adjustment on front seats | ● | ● | ● | ● |
| Seats – AMG Performance seats Driver and front passenger seats featuring more sharply contoured seat shape for enhanced lateral support, integrated head restraints and AMG badge in seat backrests | - | - | - | ● |

| Item | SE | Sport | AMG Line | Mercedes-AMG GLA 45 |
|--|----|-------|----------|---------------------|
| Interior (continued) | | | | |
| Seats – front seats cushion length adjustment | ● | ● | ● | - |
| Seats – front seats, heated | △ | △ | △ | ● |
| Seats – front seats, manually adjustable | ● | ● | ● | ● |
| Seats – rear seat backrests, split-folding (1/3:2/3) | ● | ● | ● | ● |
| Seats – seats with adjustable head restraints | ● | ● | - | - |
| Seats – sports seats with integrated head restraints | - | - | ● | - |
| Seat belts – black | ● | ● | ● | ○ |
| Seat belts – outer, designo seat belts in red | - | - | - | ● |
| Stowage – boxes under front seats | ● | ● | ● | - |
| Stowage – compartment beneath load compartment floor | ● | ● | ● | - |
| Stowage – double cup holder in centre console | ● | ● | ● | ● |
| Stowage – glove compartment, illuminated | ● | ● | ● | ● |
| Stowage – load-securing rings in luggage compartment | ● | ● | ● | ● |
| Stowage – luggage compartment cover | ● | ● | ● | ● |
| Stowage – luggage nets on rear of front seats | ● | ● | ● | - |
| Stowage – net in passenger footwell | ● | ● | ● | - |
| Stowage – spectacles compartment in overhead control panel | ● | ● | ● | ● |
| Windows – electric windows (4) | ● | ● | ● | ● |

| Item | SE | Sport | AMG Line | Mercedes-AMG GLA 45 |
|---|----|-------|----------|---------------------|
| Steering | | | | |
| Steering column – manually adjustable for height and reach | ● | ● | ● | ● |
| Steering wheel – 3-spoke, 12-button multi-function, trimmed in nappa leather | ● | - | - | - |
| Steering wheel – 3-spoke, 12-button multi-function, trimmed in nappa leather with perforated leather in grip area | - | ● | - | - |
| Steering wheel – 3-spoke, 12-button multi-function, trimmed in nappa leather with perforated leather in grip area, flattened bottom section | - | - | ● | - |
| Steering wheel – AMG performance steering wheel, 3-spoke multi-function, trimmed in nappa leather/DINAMICA microfibre with aluminium gearshift paddles, red 12 o'clock marker and 'AMG' lettering | - | - | - | ● |
| Steering – AMG speed-sensitive sports steering | - | - | - | ● |
| Steering – speed-sensitive steering with speed-sensitive servo assistance | ● | ● | - | - |
| Steering – Sports Direct-Steer system with speed-sensitive servo assistance | - | - | ● | - |

| Item | SE | Sport | AMG Line | Mercedes-AMG GLA 45 |
|---|----|-------|----------|---------------------|
| Paint, Trim and Upholstery | | | | |
| Paint – non-metallic | ● | ● | ● | ● |
| Roof lining – black | - | △ | ● | ● |
| Roof lining – grey (reverts to black in conjunction with panoramic roof) | ● | ● | - | - |
| Trim – anthracite wave design | - | ● | - | - |
| Trim – carbon structure | ● | - | - | - |
| Trim – light aluminium with longitudinal grain | - | - | ● | ● |
| Upholstery – ARTICO leather ¹ | ● | ● | - | - |
| Upholstery – ARTICO leather ¹ /DINAMICA microfibre with red contrast stitching | - | - | ● | ● |




| Item | SE | Sport | AMG Line | Mercedes-AMG GLA 45 |
|--|----|-------|----------|---------------------|
| Communications and In-Car Entertainment | | | | |
| Audio 20 radio/single CD – 6 speakers, telephone keypad, twin radio tuner (FM/AM), CD player (MP3/WMA/AAC/WAV compatible), Bluetooth® interface, 2 USB ports, SD card slot and pre-installation for Garmin® MAP PILOT | ● | ● | ● | ● |
| DAB digital radio tuner | ○ | ○ | ○ | ● |
| Garmin® MAP PILOT navigation system | ○ | ○ | ○ | ● |
| Media display – 8-inch | - | ● | ● | ● |
| Media Interface Allows connection and control of portable media devices (e.g. MP3 player, USB storage media) via ports in the centre console (input only) | ● | ● | ● | ● |
| Mercedes me connect (standard services) Including emergency call system (eCall), accident recovery, breakdown and maintenance management | ● | ● | ● | ● |
| Radio aerial integrated into roof spoiler | ● | ● | ● | ● |
| Smartphone integration comprising Apple CarPlay™ Please check on www.apple.com/uk/ios/carplay/ for compatibility and approved apps. Certain features and apps require a 3G or 4G data connection. Control of features available through voice control and controller on centre console | ● | ● | ● | ● |




Standard equipment

| Item | SE | Sport | AMG Line | Mercedes-AMG GLA 45 |
|--|----|-------|----------|---------------------|
| Safety and Assistance Systems | | | | |
| Active bonnet – pedestrian safety measure which detects an impact and raises bonnet by 65 mm | ● | ● | ● | ● |
| Airbags – automatic child seat recognition sensor (pressure sensor) | ● | ● | ● | ● |
| Airbags – dual-stage, driver and front passenger | ● | ● | ● | ● |
| Airbags – kneebag for driver | ● | ● | ● | ● |
| Airbags – sidebags, driver and front passenger | ● | ● | ● | ● |
| Airbags – windowbags, driver and front passenger | ● | ● | ● | ● |
| ATTENTION ASSIST – alerts the driver to increasing fatigue and inattention | ● | ● | ● | ● |
| Braking – Active Brake Assist | ● | ● | ● | ● |
| Braking – adaptive Brake Assist with HOLD function and Hill Start Assist | ● | ● | ● | ● |
| Braking – adaptive brake lights (flash under emergency braking) | ● | ● | ● | ● |
| Braking – anti-lock braking system (ABS) with Brake Assist (BAS) | ● | ● | ● | ● |
| Crash-responsive emergency lighting | ● | ● | ● | ● |
| Electric parking brake | ● | ● | ● | ● |
| Electronic Stability Programme (ESP®) with Acceleration Skid Control (ASR) | ● | ● | ● | ● |

| Item | SE | Sport | AMG Line | Mercedes-AMG GLA 45 |
|---|----|-------|----------|---------------------|
| First-aid kit and warning triangle | ● | ● | ● | ● |
| Headlamp Assist – automatic headlamp activation in dark conditions | ● | ● | ● | ● |
| Locking – Anti-Theft Protection package including anti-theft alarm system with tow-away protection and interior monitoring system | ● | ● | ● | ● |
| Locking – childproof locks, manually operated for rear doors and electrically operated for rear power windows | ● | ● | ● | ● |
| Locking – remote central locking | ● | ● | ● | ● |
| Rain-sensing windscreen wipers | – | ● | ● | ● |
| Seats – ISOFIX and top-tether child seat fixing points in rear (two outer seats) | ● | ● | ● | ● |
| Seats – occupancy sensor, front passenger seat | ● | ● | ● | ● |
| Seat belts – reminder, front and rear | ● | ● | ● | ● |
| Seat belts – three-point, rear (3) | ● | ● | ● | ● |
| Tyres – run-flat technology | – | – | ● | – |
| Tyres – TIREFIT tyre sealant kit | ● | ● | – | ● |
| Tyres – tyre pressure monitoring system | ● | ● | ● | ● |

A revolution in style

| Item | Notes | | R48 | SE | Sport | AMG Line | Mercedes-AMG GLA 45 | Basic RRP excl. VAT (£) | Total RRP incl. VAT (£) |
|--|-------|--|-----|----|-------|----------|---------------------|----------------------------|----------------------------|
| Wheels | | | | | | | | | |
| 17" alloy wheels (4) - 5-twin-spoke design, painted vanadium silver 215/50 tyres | |  | | ● | - | - | - | - | - |
| 18" alloy wheels (4) - 5-twin-spoke design, painted vanadium silver 235/50 tyres | |  | R31 | - | ● | - | - | - | - |
| 19" AMG alloy wheels (4) - 5-spoke design, painted titanium grey with high-sheen finish 235/45 tyres with run-flat capability | |  | 635 | - | - | ● | - | - | - |

| Item | Notes | | SE | Sport | AMG Line | Mercedes-AMG GLA 45 | Basic RRP excl. VAT (£) | Total RRP incl. VAT (£) | |
|--|---|--|-----|-------|----------|---------------------|----------------------------|----------------------------|--------|
| Wheels (continued) | | | | | | | | | |
| 19" AMG alloy wheels (4) - 5-spoke design, painted black with a high-shine finish 235/45 tyres with run-flat capability | |  | 655 | - | - | ○ | - | 100.00 | 120.00 |
| 19" AMG alloy wheels (4) - 5-spoke design, painted black with high-shine rim 235/45 tyres with run-flat capability | Only available in conjunction with Night package (code P55) |  | 664 | - | - | △ | - | Included in Night package | |
| 19" AMG alloy wheels (4) - 5-twin-spoke design 235/45 tyres | |  | 754 | - | - | - | ● | - | - |



> View offers



Book a

- > test drive
- > AMG test drive



> Find a Retailer



> View the Range Guide

Wheels

40

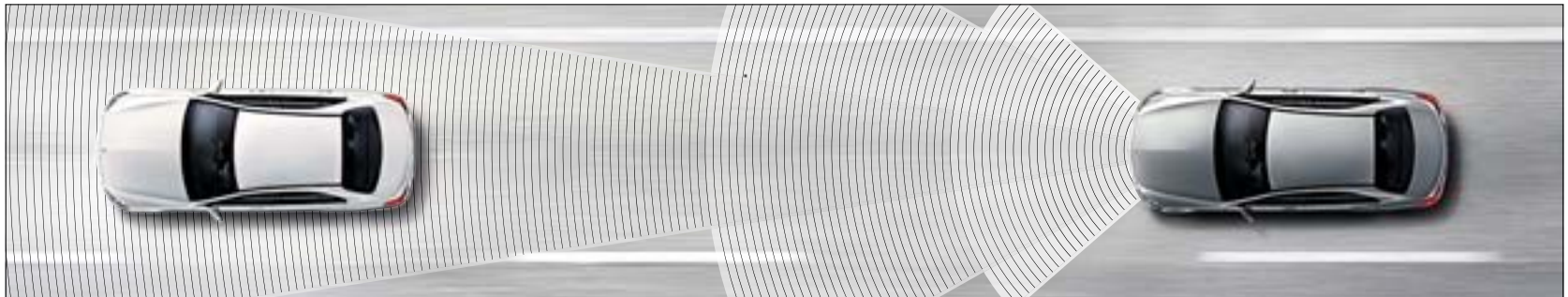
| Item | Notes | | 758 | SE | - | Sport | - | AMG Line | - | Mercedes-AMG GLA 45 | ○ | Basic RRP excl. VAT (£) | Total RRP incl. VAT (£) |
|--|-------|--|-----|----|---|-------|---|----------|---|---------------------|---|-------------------------------|----------------------------|
| Wheels (continued) | | | | | | | | | | | | | |
| 20" AMG alloy wheels (4) - 10-spoke design 235/40 tyres | | | 758 | SE | - | Sport | - | AMG Line | - | Mercedes-AMG GLA 45 | ○ | 495.83 | 595.00 |
| 20" AMG alloy wheels (4) - 10-spoke design, painted black with high-sheen rim 235/40 tyres | | | 778 | SE | - | Sport | - | AMG Line | - | Mercedes-AMG GLA 45 | △ | Included in AMG Night package | |

● Standard ○ Optional - Not available △ Available as part of an optional package

Lane Tracking package and Driving Assistance package

Both of these packages contain highly intelligent features to help you stay safe on the road – by making the drive more effortless, and to alert you to any emergency. The Lane Tracking package includes Blind Spot Assist and Lane Keeping Assist. Distance Pilot DISTRONIC is part of the Driving Assistance package only.

| Item | Notes | Lane Tracking package £595.00 (code 22P) | Driving Assistance package £1,695.00 ¹ (code DP2) |
|--------------------------------------|---|--|--|
| Blind Spot Assist | Blind Spot Assist is able to detect vehicles in the blind spot and give the driver visible and audible warnings | ■ | ■ |
| Lane Keeping Assist | Lane Keeping Assist is able to detect when the vehicle is unintentionally drifting out of lane, duly warning the driver by means of pulsed vibrations through the steering wheel | ■ | ■ |
| Distance Pilot DISTRONIC | Distance Pilot DISTRONIC helps the driver to maintain a safe distance to the vehicle in front and so relieves strain on the driver, especially on long journeys or in a traffic jam | - | ■ |
| PRE-SAFE® anticipatory safety system | The renowned PRE-SAFE® safety system can 'sense' critical road situations and initiate preventive safety measures | - | ■ |



Distance Pilot DISTRONIC

■ Included - Not included ¹Only in conjunction with automatic transmission

Exclusive package



The optional Exclusive package adds sophisticated touches of colour and comfort to your GLA AMG Line or Mercedes-AMG GLA 45 4MATIC. The leather seats can be fitted in lava black, hazelnut brown or sahara beige/black with matching floor mat edging, while the upper dash is trimmed with ARTICO leather¹.

Exclusive package (code P34) – designed and priced as a package, including items as listed below.

AMG Line² and Mercedes-AMG GLA 45 4MATIC³

Total incl. VAT £895.00

Exclusive package comprises:

Belt guide optics in silver-chrome look (Mercedes-AMG GLA 45 4MATIC only)

Black seat belts

Floor mats with edging in appointments colour

Four-way lumbar support

Trim – ARTICO leather¹ upper dash trim with contrast stitching

Upholstery – lava black, hazelnut brown or sahara beige/black leather

Exclusive package trim and upholstery

Lava black

Hazelnut brown

Sahara beige/black



Light aluminium with longitudinal grain



¹Man-made leather ²Available only in conjunction with Executive (code DP3), Premium (code DP0) or Premium Plus equipment line (code DP1) ³Available only in conjunction with Premium equipment line (code DP0)

AMG Exclusive package



The optional AMG Exclusive package creates an atmosphere of exceptional style. The perforated black RED CUT leather seats are fitted with red designo seat belts¹ matched by floor mats with red contrast stitching and AMG badging. The upper dash is clad in ARTICO leather.²

AMG Exclusive package (code P39) – designed and priced as a package, including items as listed below.

AMG Line³ and Mercedes-AMG GLA 45 4MATIC⁴

Total incl. VAT £895.00

AMG Exclusive package comprises:

Belt guide optics in silver-chrome look (Mercedes-AMG GLA 45 4MATIC only)

Four-way lumbar support

Red designo seat belts¹ (not available with AMG Line)

Trim – ARTICO leather² upper dash trim with contrast stitching

Upholstery – perforated black RED CUT leather with contrast stitching

Exclusive package trim and upholstery

Perforated black RED CUT leather

Light aluminium with longitudinal grain



¹Black seat belts are selectable for 250 AMG and Mercedes-AMG GLA 45 4MATIC with code U17 ²Man-made leather ³Available only in conjunction with Executive (code DP3), Premium (code DP0) or Premium Plus equipment line (code DP1)
⁴Available only in conjunction with Premium equipment line (code DP0)

Night package



For a truly distinctive look, the GLA AMG Line can be further enhanced with the Night package. It includes a two-louvre high-gloss black grille with chrome details, high-gloss black beltline strips, 19" AMG alloy wheels with tyres with run-flat capability. The Night package offers extensive exterior features to complement the AMG Line.

Night package (code P55) – designed and priced as a package, including items as listed below.

AMG Line

Total incl. VAT £495.00

Night package comprises:

19" AMG alloy wheels – 5-spoke design, painted black with high-shen finish (code 664)

Aluminium roof rails in high-gloss black

AMG bodystyling on front, side sill and rear apron, in high-gloss black

Beltline strips in high-gloss black

Door mirrors in high-gloss black

Radiator grille – two louvres in high-gloss black with chrome trim

Tyres with run-flat capability



AMG bodystyling and rear apron in high-gloss black



Radiator grille in high-gloss black with chrome trim

AMG Night package



Model shown features optional designo magno mountain grey paint finish



The AMG Night package contains striking exterior features increasing the visual appeal of the Mercedes-AMG GLA 45 4MATIC. This package features 20" AMG alloy wheels, AMG bodystyling in high-gloss black as well as high-gloss exterior trim elements.

AMG Night package (code P60) – designed and priced as a package, including items as listed below.

Mercedes-AMG GLA 45 4MATIC Total incl. VAT **£1,150.00**
In conjunction with Carbon Fibre package **£950.00**

AMG Night package comprises:

20" AMG alloy wheels – 5-twin-spoke design, painted black with black finish (code 778)

Aluminium roof rails in high-gloss black

AMG bodystyling on front, side sill and rear apron, in high-gloss black

Beltline strips in high-gloss black

Door mirrors in high-gloss black

AMG Aerodynamic package



Model shown features optional designo magno mountain grey paint finish



For truly distinctive styling, opt for the AMG Aerodynamic package. This package combines aggressive styling with improved driving stability. A large front splitter, AMG rear aerofoil and additional front apron flics ensure increased negative lift force. The AMG Aerodynamic package is only available in conjunction with the AMG Night package (code P60).

AMG Aerodynamic package (code B26) – designed and priced as a package, including items as listed below.

Mercedes-AMG GLA 45 4MATIC **Total incl. VAT £1,530.00**

AMG Aerodynamic package comprises:

Additional flics in high-gloss black on front apron

AMG rear aerofoil in high-gloss black

Large front splitter in high-gloss black



> View offers



Book a

- > test drive
- > AMG test drive



> Find a Retailer



> View the Range Guide

Carbon Fibre package



The optional Carbon Fibre package brings a significant level of dynamism to the Mercedes-AMG GLA 45 4MATIC. Sporty details in carbon fibre include exterior mirror housings, front splitter, rear apron trim and side sill inserts. This package is not available in conjunction with the AMG Aerodynamic package (code B26).

Carbon Fibre package (code 773) – designed and priced as a package, including items as listed below.

Mercedes-AMG GLA 45 4MATIC Total incl. VAT £3,295.00

Carbon Fibre package comprises:

Exterior mirror housing in carbon fibre

Front splitter in carbon fibre

Rear apron trim in carbon fibre

Side sill inserts in carbon fibre

Optional equipment

| Item | Notes | | SE | Sport | AMG Line | Mercedes-AMG GLA 45 | Basic RRP excl. VAT (£) | Total RRP incl. VAT (£) |
|---|---|-----|----|-------|----------|---------------------|----------------------------|----------------------------|
| Suspension and Exterior | | | | | | | | |
| AMG DINAMICA Cockpit package AMG steering wheel in full DINAMICA microfibre AMG trim – black DINAMICA | | PAH | - | - | - | ○ | 162.50 | 195.00 |
| AMG Driver's package Includes an increase to your vehicle's electronically limited top speed (168 mph) and participation in one of the AMG BASIC-Training 'Power and Passion' events. The event is run by the AMG Driving Academy and held at a racetrack located in mainland Europe | For further information on this or any other AMG Driving Academy training, please speak to your Retailer, or visit www.mercedes-amg.com/driving-academy | 250 | - | - | - | ○ | 1,616.67 | 1,940.00 |
| AMG DYNAMIC PLUS package AMG front axle differential lock AMG RIDE CONTROL sports suspension with Selective Damping | | P71 | - | - | - | ○ | 1,162.50 | 1,395.00 |
| AMG Performance exhaust Includes twin tailpipe design with louder exhaust note and button in upper control panel for more emotional engine sound in interior | | UZ1 | - | - | - | ○ | 425.00 | 510.00 |
| AMG RIDE CONTROL sports suspension with Selective Damping Provides the option to adjust suspension settings between 'Comfort' and 'Sport' using the DYNAMIC SELECT switch. Additional 'Race' transmission mode designed for maximum driving dynamics | Included in AMG DYNAMIC PLUS package (code P71) | 459 | - | - | - | ○ | 495.83 | 595.00 |
| Selective Damping Provides the option to adjust suspension settings between 'Comfort' and 'Sport' using the DYNAMIC SELECT switch | | 459 | - | - | ○ | - | 495.83 | 595.00 |
| Headlamps – Intelligent Light System Bi-xenon headlamps, LED daytime running lamps, Active Light System, cornering light function, headlamp wash and Adaptive Highbeam Assist | Only in conjunction with Premium or Premium Plus equipment line (code DA1 and DA2) | 621 | - | ○ | ○ | - | 362.50 | 435.00 |
| | | | - | - | - | ○ | 362.50 | 435.00 |
| Tow bar | | 550 | ○ | ○ | - | - | 675.00 | 810.00 |



> View offers



Book a

- > test drive
- > AMG test drive



> Find a Retailer



> View the Range Guide

Optional equipment

49

| Item | Notes | | SE | Sport | AMG Line | Mercedes-AMG GLA 45 | Basic RRP excl. VAT (£) | Total RRP incl. VAT (£) |
|---|---|-----|----|-------|----------|---------------------|----------------------------|----------------------------|
| Paint, Trim and Upholstery | | | | | | | | |
| Paint – metallic | | - | ○ | ○ | ○ | ○ | 479.17 | 575.00 |
| Paint – special metallic paint, designo magno mountain grey | | 662 | - | - | - | ○ | 1,495.83 | 1,795.00 |
| Trim – carbon fibre | | H73 | - | - | - | ○ | 579.17 | 695.00 |
| Comfort, Safety and Assistance Systems | | | | | | | | |
| Four-way lumbar support | | U22 | | ○ | ○ | - | 133.33 | 160.00 |
| Panoramic glass sunroof | Included in Premium Plus equipment line (code DP1). Black roof lining as standard | 413 | | ○ | ○ | - | 829.17 | 995.00 |
| | Included in Premium equipment line (code DP0) | | | - | - | ○ | 829.17 | 995.00 |
| Parking Pilot | Included in Executive, Premium and Premium Plus equipment lines (code DP3, DP0 and DP1) | 235 | ○ | ○ | ○ | ● | 562.50 | 675.00 |

● Standard ○ Optional - Not available

| Item | Notes | | SE | Sport | AMG Line | Mercedes-AMG GLA 45 | Basic RRP excl. VAT (£) | Total RRP incl. VAT (£) |
|--|--|-----|----|-------|----------|---------------------|----------------------------|----------------------------|
| Communications and In-Car Entertainment | | | | | | | | |
| COMAND Online system ¹ Includes Android Auto and Apple CarPlay, radio, Traffic Sign Assist, single CD/DVD, map navigation system with 3D map display, Live Traffic Information and European map data updates free of charge for the first three years, and LINGUATRONIC voice control. Mercedes me connect with standard and Remote Online services. Access to internet sites when vehicle is stationary, plus unrestricted use of Mercedes-Benz apps (internet-enabled mobile phone required) and in-car internet access for Facebook, internet radio, sending routes from Google Maps™ to the vehicle, news and weather reports. Also includes SD memory card slot | Only in conjunction with Executive, Premium or Premium Plus equipment line (code DP3, DP0 and DP1) | 531 | - | ○ | ○ | - | 829.17 | 995.00 |
| | Please check on www.apple.com/uk/ios/carplay/ or www.android.com/intl/en_uk/auto for compatibility and approved apps | | | - | - | - | ○ | 829.17 |
| DAB digital radio tuner | | 537 | ○ | ○ | ○ | ● | 350.00 | 420.00 |
| Garmin® MAP PILOT navigation system | Not available with COMAND Online system (code 531). Included in Executive, Premium and Premium Plus equipment lines (code DP3, DP0 and DP1) | 357 | ○ | ○ | ○ | ● | 412.50 | 495.00 |
| Mercedes me – Remote Online services On-board use of the remote and location services, e.g. geographic vehicle monitoring, vehicle location, remote door locking and unlocking, remote interrogation of vehicle status. Remote Online subscription services are limited to three years from initial registration, and can be extended at additional cost | Standard with COMAND Online system (code 531) | 11U | ○ | ○ | ○ | ○ | 125.50 | 150.00 |
| Surround sound system – Harman Kardon® Logic 7® with Dolby Digital 5.1 and DTS 11 high-performance speakers and additional amplifiers | Removes stowage compartment beneath load compartment floor | 810 | - | ○ | ○ | ○ | 566.67 | 680.00 |
| | In conjunction with Premium equipment line (code DP0) | | - | - | - | ● | - | - |

| Item | Notes | SE | Sport | AMG Line | Mercedes-AMG GLA 45 | Basic RRP excl. VAT (£) | Total RRP incl. VAT (£) | |
|---|--|----|-------|----------|---------------------|----------------------------|----------------------------|-------|
| Service Package | | | | | | | | |
| <p>Service Care</p> <p>Service Care allows you to spread the cost of servicing your new car in the Mercedes-Benz Retailer network. Taking out a Service Care plan ensures your servicing needs are taken care of by fully trained Mercedes-Benz Technicians with the added benefit of a Mercedes-Benz service history</p> | <p>Price is based on a monthly rate. Example given is for two services taken over 24 months or three services over 36 months. Further payment options are available. New Service Care prices apply only to vehicles up to 12 months old prior to first service. Prices effective from 3 May 2016</p> | 1 | ○ | ○ | ○ | - | 22.50 | 27.00 |
| | | | - | - | - | ○ | 29.17 | 35.00 |

Genuine Accessories

We've developed a range of Accessories you can add to help personalise and enhance your GLA. Your local Mercedes-Benz Retailer can advise on fitting costs of Accessories, where applicable. Further information on our full range of Genuine Accessories can be found on the Mercedes-Benz UK website.

01 | Shallow boot tub

The boot tub is suitable for transporting shopping. The tub shape with its slightly raised edge is precision-tailored to the load area. Made from impact-resistant, non-split polypropylene, its structured surface holds the separately available stowage crate in place. Deep boot tub also available.

Basic RRP £72.50 (excl. VAT) **Total RRP £87.00 (incl. VAT)**

02 | Stowage crate

A secure hold for items which are prone to tip over or slide around, e.g. shopping bags. Adjustable partitioning elements allow crate to be divided into max. four sections. Optimum functionality only in conjunction with shallow boot tub.

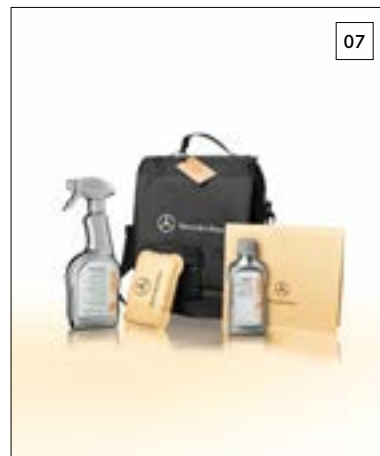
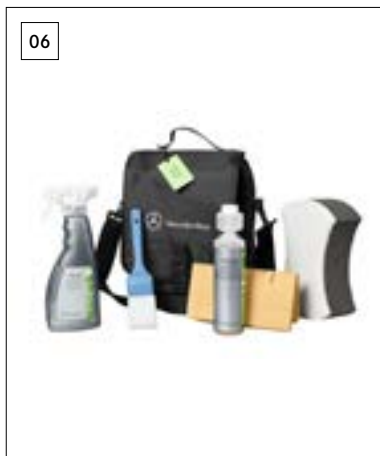
Basic RRP £71.67 (excl. VAT) **Total RRP £86.00 (incl. VAT)**

03 | Concertina load sill protector

Protects the rear of the car from scratches when you're loading the vehicle and prevents dirt on the car from getting onto your clothes. Practical design – can be connected to reversible mat, shallow boot tub or deep boot tub.

Basic RRP £32.50 (excl. VAT) **Total RRP £39.00 (incl. VAT)**





04 | All-season floor mats

Robust, washable synthetic material, designed for heavy use. Latest design with recessed areas and raised edge. With distinctive Mercedes-Benz star logo. Price for front and rear mats.

Basic RRP £73.34 (excl. VAT) **Total RRP £88.00 (incl. VAT)**

05 | DUO Plus child seat, with ISOFIX and automatic child seat recognition

Optimum safety for children between the ages of around 8 months and 4 years (9 to 18 kg). Fitted as standard with top tether, an additional belt for securing the head section, a height-adjustable harness, ventilation channels and ISOFIX attachment points. With automatic child seat recognition. Adjustable tilt. Also available for ages 0+ (1 to 13 kg) and 3.5 to 12 years (15 to 36 kg).

Basic RRP £428.33 (excl. VAT) **Total RRP £449.75 (incl. VAT)**

06 | Exterior Car Care Kit

The Mercedes-Benz Exterior Car Care Kit is a four-piece collection to keep the exterior of your car looking like it's come straight from the showroom. The bag contains car shampoo, wheel cleaner, sponge and polishing cloth.

Basic RRP £20.83 (excl. VAT) **Total RRP £25.00 (incl. VAT)**

07 | Interior Car Care Kit

The Mercedes-Benz Interior Car Care Kit is a four-piece collection enabling you to maintain a spotless showroom finish inside your car. The bag contains cabin care spray, interior glass cleaner, interior glass sponge and car cloth.

Basic RRP £20.83 (excl. VAT) **Total RRP £25.00 (incl. VAT)**

08 | Winter wheels and tyres

18" alloy wheels (4) – multi-spoke design. Includes Tyre Pressure Monitor.

Basic RRP £1,773.32 (excl. VAT) **Total RRP £2,127.99 (incl. VAT)**

09 | Winter wheels and tyres

19" AMG alloy wheels (4) – 5-twin-spoke design. Includes Tyre Pressure Monitor.

Basic RRP £2,329.16 (excl. VAT) **Total RRP £2,795.00 (incl. VAT)**

10 | Mercedes-Benz roof box, 400 litres

Multi-purpose box. Compact length, impressive amount of space. Capacity approx. 400 litres. Opens on both sides. Single lock system. Gas-filled struts for easy opening and closing of lid. Straps to hold contents in place. Maximum load capacity 75 kg. Available in matt silver or metallic black.

Basic RRP £341.67 (excl. VAT) **Total RRP £410.00 (incl. VAT)**

11 | Carrier bars for roof rails

Quick-fastening basic carrier bars for roof rails – no tools required. Multi-functional basis for all Mercedes-Benz transport and leisure accessories such as roof boxes, bicycle racks and ski racks. Locking plastic caps help prevent theft.

Basic RRP £182.50 (excl. VAT) **Total RRP £219.00 (incl. VAT)**



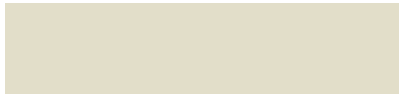
Colours and materials

Non-metallic paints

Standard



589 jupiter red



650 cirrus white

Metallic paints

Optional



162 south seas blue



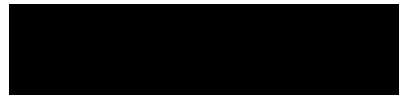
787 mountain grey



175 elbaite green



890 cavansite blue



191 cosmos black



990 orient bronze



761 polar silver

Special metallic paint

Optional



662 designo magno mountain grey

Upholstery

SE/Sport

ARTICO leather¹ (standard)



111 black



105 sahara beige



118 crystal grey

AMG Line and Mercedes-AMG GLA 45 4MATIC

ARTICO¹/DINAMICA² (standard)



651 black with red contrast stitching

Exclusive package

(AMG Line and Mercedes-AMG GLA 45 4MATIC)

Leather (optional)



801 lava black



804 hazelnut brown



855 sahara beige/black

AMG Exclusive package

(AMG Line and Mercedes-AMG GLA 45 4MATIC)

Leather (optional)



811 perforated black RED CUT

Trim

SE



H74 carbon structure

AMG Line and Mercedes-AMG GLA 45 4MATIC



H79 light aluminium with longitudinal grain

Exclusive package



H79 light aluminium with longitudinal grain

AMG Exclusive package



H79 light aluminium with longitudinal grain

Sport



H50 silver wave design



H51 anthracite wave design

¹Man-made leather ²DINAMICA microfibre

Trim and upholstery combinations

| | SE/Sport | | | AMG Line/GLA 45 4MATIC |
|-----------------------------|-----------------------------|--------------------|--------------------|--|
| | ARTICO leather ¹ | | | ARTICO leather ¹ /DINAMICA microfibre |
| | black (111) | sahara beige (105) | crystal grey (118) | black (651) |
| Dashboard | | | | |
| Steering wheel | black | black | black | black |
| Upper dashboard trim | black | black | black | black |
| Lower dashboard trim | black | sahara beige | crystal grey | black |
| Seats | | | | |
| Seat cushion centre section | black | sahara beige | crystal grey | black/red stitching |
| Side bolster trim | black | sahara beige | crystal grey | black/red stitching |
| Head restraint | black | sahara beige | crystal grey | black |
| Seat belt | black | black | black | black/red |
| Doors | | | | |
| Lower door trim | black | sahara beige | crystal grey | black |
| Door pocket | black | black | black | black |
| Roof lining | grey ² | black | grey ² | black |
| Floor covering | | | | |
| Interior | black | black | black | black |
| Boot | black | black | black | black |

¹Man-made leather ²Roof lining changes to black in conjunction with panoramic glass sunroof

Combination options

| | | ARTICO leather ¹ SE/Sport | black sahara beige crystal grey | ARTICO leather ¹ /DINAMICA microfibre AMG Line and GLA 45 4MATIC | black | Leather (Exclusive package) AMG Line and GLA 45 4MATIC | lava black hazelnut brown sahara beige/black | Leather (AMG Exclusive package) AMG Line and GLA 45 4MATIC | perforated black RED CUT |
|--|---------------------------------|---|---------------------------------------|--|-------|---|--|---|--------------------------|
| Non-metallic paints (standard) | | | | | | | | | |
| | 589 jupiter red | ● | ● ● | ● | ● | ● | ● △ ● | ● | ● |
| | 650 cirrus white | ● | ○ ○ | ● | ● | ● ● ○ | ● | ● | |
| Metallic paints (optional) | | | | | | | | | |
| | 162 south seas blue | ● | ● ● | ● | ● | ● △ ● | ○ | ○ | |
| | 175 elbaite green | ● | △ ● | ● | ● | ● ● ● | ● | ● | |
| | 191 cosmos black | ● | ● ● | ● | ● | ● ● ● | ● | ● | |
| | 761 polar silver | ● | △ ● | ● | ● | ● ● ● | ● | ● | |
| | 787 mountain grey | ● | ● ● | ● | ● | ● ● ● | ● | ● | |
| | 890 cavansite blue | ● | ● ● | ○ | ○ | ● ● ● | △ | △ | |
| | 990 orient bronze | ● | ● ● | ● | ● | ● ○ ● | ○ | ○ | |
| Special metallic paint (optional) | | | | | | | | | |
| | 662 designo magno mountain grey | ● | ● ● | ● | ● | ● ● ● | ● | ● | |

● Recommended ○ Possible △ Not recommended ¹Man-made leather Please note that, owing to limitations of on-screen representation, paint colours may differ from those shown

Technical data

| Model | Diesel engines | | | Petrol engines | | | | | |
|---|----------------|-----------------------|-----------------------|-----------------------|-----------------|----------------------------|-----------------|-----------|------------------|
| | GLA 200 d | GLA 200 d 4MATIC | GLA 220 d 4MATIC | GLA 200 | GLA 250 4MATIC | Mercedes-AMG GLA 45 4MATIC | | | |
| Engine | | | | | | | | | |
| Total displacement | cc | 2,143 | 2,143 | 2,143 | 1,595 | 1,991 | 1,991 | | |
| Arrangement/cylinders/valves | | in-line/4/16 | in-line/4/16 | in-line/4/16 | in-line/4/16 | in-line/4/16 | in-line/4/16 | | |
| Power ¹ | hp (kW) at rpm | 136 (100)/3,200–4,000 | 136 (100)/3,400–4,400 | 177 (130)/3,600–3,800 | 156 (115)/5,300 | 211 (155)/5,500 | 381 (280)/6,000 | | |
| Torque ¹ | Nm at rpm | 300/1,400–3,000 | 300/1,400–3,000 | 350/1,400–3,400 | 250/1,200–4,000 | 350/1,200–4,000 | 475/2,250–5,000 | | |
| Transmission | | | | | | | | | |
| 6-speed manual | | ● | – | – | ● | – | – | | |
| 7G-DCT 7-speed automatic | | ○ | ● | ● | ○ | ● | – | | |
| AMG SPEEDSHIFT DCT 7-speed sports automatic | | – | – | – | – | – | ● | | |
| Performance | | | | | | | | | |
| | | manual | automatic | automatic | automatic | manual | automatic | automatic | automatic |
| Acceleration 0–62 mph | sec | 9.5 | 9.1 | 9.1 | 7.7 | 8.4 | 8.1 | 6.6 | 4.4 |
| Top speed | mph | 127 | 124 | 135 | 134 | 134 | 143 | 143 | 155 ² |

| Model | Diesel engines | | | | Petrol engines | | | |
|---|----------------|------------------|------------------|------------------|----------------|----------------|----------------------------|-----------|
| | GLA 200 d | GLA 200 d 4MATIC | GLA 220 d 4MATIC | GLA 250 d 4MATIC | GLA 200 | GLA 250 4MATIC | Mercedes-AMG GLA 45 4MATIC | |
| Weights and capacities | manual | automatic | automatic | automatic | manual | automatic | automatic | automatic |
| Kerb weight | kg 1,505 | 1,535 | 1,595 | 1,595 | 1,395 | 1,435 | 1,505 | 1,585 |
| Perm. Gross Vehicle Weight | kg 2,020 | 2,020 | 2,075 | 2,075 | 1,920 | 1,920 | 1,990 | 2,105 |
| Towing capacity – unbraked | 750 | 750 | 750 | 750 | 695 | 715 | 750 | – |
| braked | kg 1,500 | 1,500 | 1,800 | 1,800 | 1,400 | 1,400 | 1,800 | – |
| Boot capacity | l 481 | 481 | 481 | 481 | 481 | 481 | 481 | 481 |
| Fuel tank capacity/ of which reserve | l 50/6 | 50/6 | 56/6 | 56/6 | 50/6 | 50/6 | 56/6 | 56/8 |
| Turning circle | m 11.84 | 11.84 | 11.84 | 11.84 | 11.84 | 11.84 | 11.84 | 11.84 |
| Fuel consumption^{3,4} | mpg manual | automatic | automatic | automatic | manual | automatic | automatic | automatic |
| Urban | 52.3 | 56.5 | 47.9 | 47.9 | 36.7 | 38.2 | 32.8 | 29.4 |
| Extra-urban ⁵ | 80.7 | 76.4 | 64.2 | 64.2 | 60.1 | 61.4 | 52.3 | 46.3 |
| Combined | 67.3 | 67.3 | 56.5 | 56.5 | 48.7 | 50.4 | 43.5 | 38.2 |

| Model | Diesel engines | | | | Petrol engines | | | |
|--|----------------|------------------|------------------|-----------|----------------|----------------|----------------------------|-----------|
| | GLA 200 d | GLA 200 d 4MATIC | GLA 220 d 4MATIC | | GLA 200 | GLA 250 4MATIC | Mercedes-AMG GLA 45 4MATIC | |
| CO₂ emissions⁴ g/km | manual | automatic | automatic | automatic | manual | automatic | automatic | automatic |
| Emissions standard | EU6 | EU6 | EU6 | EU6 | EU6 | EU6 | EU6 | EU6 |
| 17" alloy wheels (215/60 tyres) | 110 | 108 | - | - | 134 | 131 | | |
| 18" alloy wheels (235/50 tyres) | 110 | 108 | 130 | 130 | 134 | 131 | 155 | - |
| 19" alloy wheels (235/45 tyres) | 115 | 115 | 130 | 130 | 138 | 135 | 155 | 172 |
| 20" alloy wheels (235/40 tyres) | - | - | - | - | - | - | - | 172 |
| Insurance group ratings | manual | automatic | automatic | automatic | manual | automatic | automatic | automatic |
| Group rating | 19-20 | 19-20 | 19-21 | 23-24 | 22-24 | 22-24 | 28-30 | 40-41 |

Insurance ratings may vary depending on model line and specification. Please refer to <http://www.thatcham.org/abigrouprating/> for further details

¹Figures according to Directive 80/1269/EEC in the currently applicable version ²Electronically limited ³All figures are based on a standard specification with the smallest tyre size

⁴The choice of wheels and transmission may affect CO₂ emissions and corresponding Road Fund Licence ⁵EUDC: extra-urban driving cycle. Testing procedures adhere to EU Directive 93/116



> View offers



Book a

- > test drive
- > AMG test drive

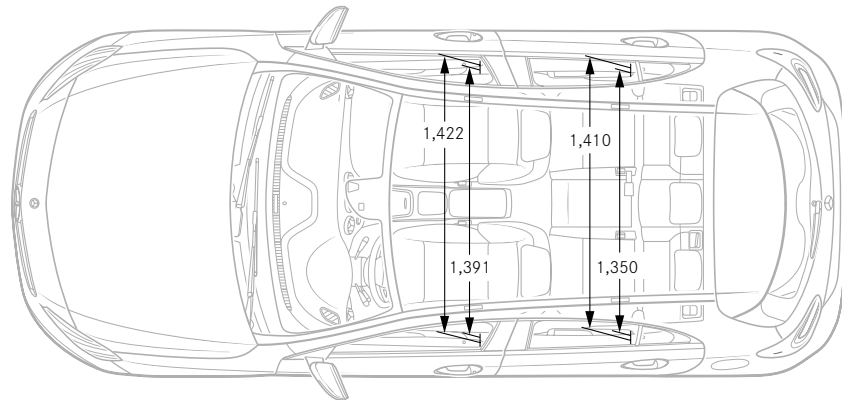
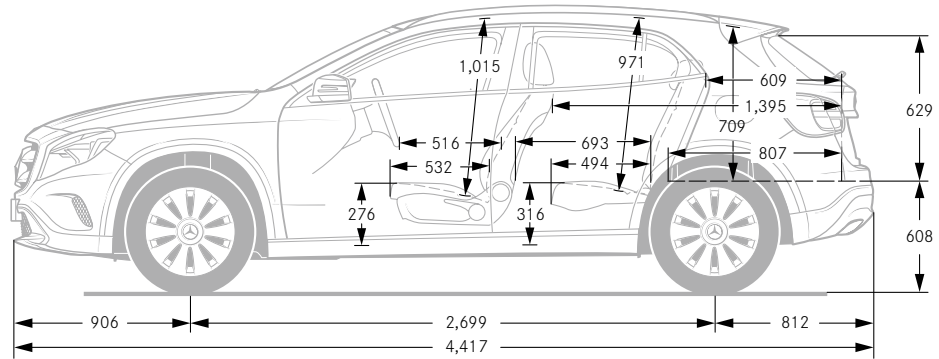
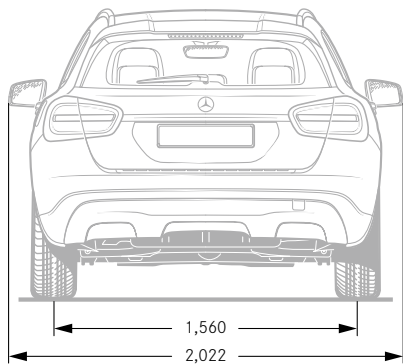
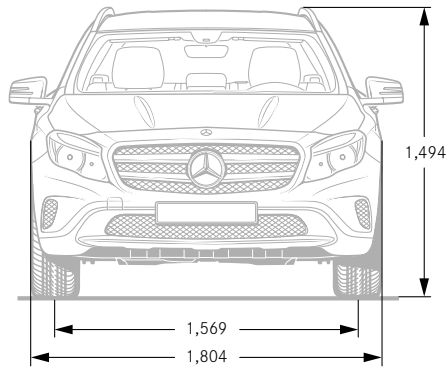


> Find a Retailer



> View the Range Guide

Technical data



The figures on pages 50-62 are correct at time of publication. Please refer to the government website for latest data - <http://carfueldata.direct.gov.uk/>

All measurements in millimetres. The dimensions shown are mean values and apply to standard-specification, unladen vehicles. Dimensions may vary slightly depending on the engine. Please consult your Retailer for further information

Road Fund Licence



All road vehicle registrations are subject to Vehicle Excise Duty (Road Fund Licence), which varies in accordance with the vehicle's CO₂ emissions. A first year rate of Vehicle Excise Duty applies to new cars on their first year of registration. For the second and subsequent years a standard rate for each taxation band will apply.¹ The table below shows the bands (A–M) created by the DVLA and the corresponding Road Fund Licence. CO₂ emissions are listed in the technical data on page 61, and the relevant Excise Duty is reflected in the on-the-road prices on page 11.

| Band | CO ₂ emissions | First year rate (£) | Standard rate (£) |
|------|---------------------------|---------------------|-------------------|
| A | up to 100 g/km | 0.00 | 0.00 |
| B | 101 to 110 g/km | 0.00 | 20.00 |
| C | 111 to 120 g/km | 0.00 | 30.00 |
| D | 121 to 130 g/km | 0.00 | 110.00 |
| E | 131 to 140 g/km | 130.00 | 130.00 |
| F | 141 to 150 g/km | 145.00 | 145.00 |
| G | 151 to 165 g/km | 185.00 | 185.00 |
| H | 166 to 175 g/km | 300.00 | 210.00 |
| I | 176 to 185 g/km | 355.00 | 230.00 |
| J | 186 to 200 g/km | 500.00 | 270.00 |
| K | 201 to 225 g/km | 650.00 | 295.00 |
| L | 226 to 255 g/km | 885.00 | 500.00 |
| M | over 255 g/km | 1,120.00 | 515.00 |

¹For further information on vehicle taxation please refer to <http://carfueldata.direct.gov.uk/>

Services and insurance

Mercedes-Benz Service Care

We believe that servicing costs should be as flexible and affordable as possible for your GLA, which is why we offer Service Care, an easy way to budget for all your servicing costs. It spreads your bills into manageable payments based on whether you have a new or used Mercedes-Benz.

With Service Care we guarantee the price of parts and labour for up to four services and safeguard against further inflation. It also covers the cost of all recommended service items including brake fluid, spark plugs, air filters, fuel filters and screen wash.

You can choose either to add your servicing costs into your monthly spend or pay the full amount in a one-off payment, giving you peace of mind that they are taken care of for the period of the plan.

To receive a personalised Service Care plan recommendation visit the Service Care Calculator at servicecarerates.mercedes-benz.co.uk

Warranty and breakdown cover

Every Mercedes-Benz comes with a three-year unlimited mileage warranty against manufacturing or material defects¹ and up to 30 years warranty against perforation due to corrosion from the inside out.² What's more, it's also covered by Mercedes-Benz Roadside Assistance – a unique package comprising up to 30 years pan-European breakdown assistance.²

Insurance

Since our name is synonymous with reliability, who better to trust with your motor insurance? Mercedes-Benz Insurance provides a motor insurance policy specifically designed to give you the cover you would expect from Mercedes-Benz. For a motor insurance quotation, call **0345 600 2180**.*

The Mercedes that thinks and acts for you.

Imagine if...

...you could connect with your Mercedes-Benz?

With Mercedes me connect, you can; with Remote Online services¹ that include trip planning, maintenance management and vehicle tracking, plus more.

Getting connected is easy. Just set up your Mercedes me account and get in touch with your Mercedes-Benz Retailer to connect your vehicle to your profile to access your Mercedes me connect services.

...you knew beforehand that you need to stop for fuel?

Simply check the fuel level and mileage range from your phone wherever you are. You can also check tyre pressure and washer fluid level. (For electric cars, you can check battery charge state.)

...your Mercedes could tell you where it's parked?

You no longer need to ask yourself where you left your car; with Mercedes me connect you can locate your car from your smartphone or tablet within a mile radius.



1. PARKED VEHICLE LOCATOR
2. VEHICLE TRACKER

3. REMOTE RETRIEVAL OF VEHICLE STATUS
4. PRE-ENTRY CLIMATE CONTROL FOR ELECTRIC DRIVE AND PLUG-IN HYBRID

...you could lock your Mercedes, even if you're miles away?

The uncertainty of whether you've forgotten to lock the car is only human. To make sure your Mercedes-Benz is safe and secure, you can simply lock the car remotely via your PC/Mac, tablet or smartphone.

...your Mercedes told you when your service is due?

Being connected means essential data is constantly sent to your Mercedes-Benz Retailer so they know when it is time for a service. Your Retailer can then contact you with a tailor-made service quote.

...your Retailer already knows which parts need replacing?

As surprising as this sounds, with telediagnosics your Retailer can recognise remotely if certain parts are due for replacement, contacting you to book an appointment and making sure the relevant parts are in stock when you arrive, getting you back on the road as quickly as possible.

...you could just push a button to deal with a breakdown?

Should your car break down, with a simple press of the button everything is taken care of – from breakdown assistance to vehicle recovery.

...your Mercedes called for help?

Your Mercedes comes with an SOS button. Press it if you need urgent help and you will be contacted by the emergency response centre.² In the event of an accident where airbags or seatbelt tensioners have been activated, a call is placed automatically. Your GPS position is sent to the response teams to initiate rescue efforts.³

The Mercedes that thinks and acts for you.

Contact your Retailer to get connected, or go to www.mercedes.me for more details.

¹This is available as an option in conjunction with Audio 20 CD, and standard with COMAND Online. Remote Online is standard with electric drive and plug-in hybrid. Use of the Remote Online equipment option is limited to three years from first registration of the vehicle and can then be extended at extra cost.

²A call is placed via the car's sim card, rather than the customer relying on their mobile phone.

³This feature is still available to customers without Mercedes me connect services. The customer is not required to accept the terms and conditions on the portal to activate this feature. For all other features the customer will have to accept terms and conditions on the portal to activate them.

Mercedes-Benz Finance

Why should you finance with Mercedes-Benz?

At Mercedes-Benz we believe a great driving experience should be matched by an equally great ownership experience. That is why we put just as much thought, time and effort into designing our finance options, our service plans and our insurance cover as we do into our vehicles.

We are not in the business of simply providing a loan to fund the purchase of your dream vehicle. We look on it as a journey that we take with you, from the moment you choose your new Mercedes-Benz, to helping you in choosing your next one.

If you would like to find out more about any of our current offers, simply call into your local Mercedes-Benz Retailer where one of our Business Managers will be more than happy to talk you through anything you need to know.

Helping you find the right solution.

You should find our finance packages are more convenient than a traditional personal loan because:

- Funds are immediately available – no waiting for cheques or loans to clear.
- There is no security required – either against your home or other assets.
- We have clear and transparent rates – the APR we quote is the APR you get.
- We have friendly Business Managers – experts in vehicle finance who can talk you through all of your plans in detail.

One of our most popular finance products is Mercedes-Benz Agility (our Personal Contract Purchase product). We also offer Contract Hire, Operating Lease and Hire Purchase solutions. If you would like to find out more about these speak to your Retailer or visit www.mercedes-benz.co.uk/fandi.

Mercedes-Benz Agility (our PCP product).

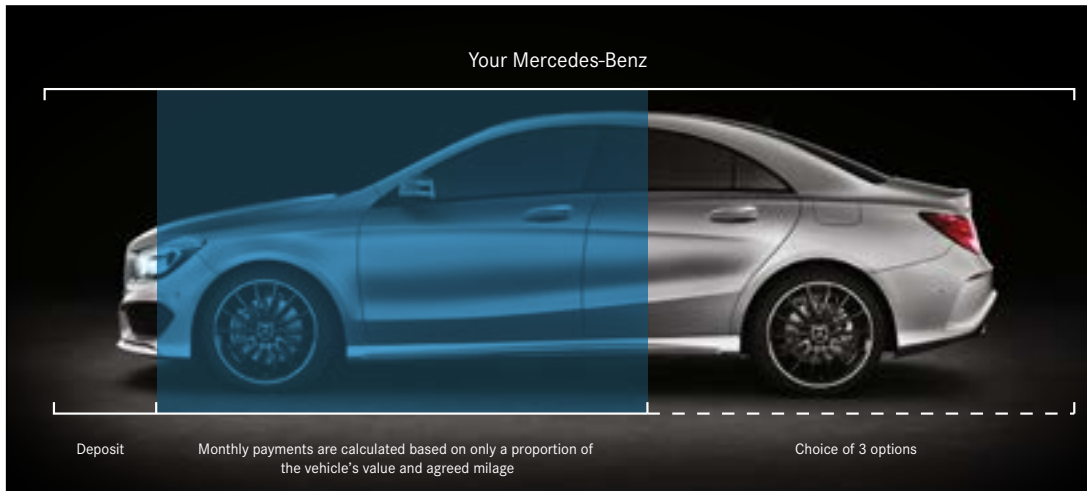
At the start of an Agility agreement, you put down a deposit and decide the term of your agreement and your annual mileage. You will be advised of the Guaranteed Future Value, which offers you the reassurance of knowing exactly what you will need to pay to own the vehicle outright in the future (this is known as the Optional Purchase Payment).

Throughout your agreement you simply pay your agreed monthly payments and when the agreement comes to an end you either purchase, hand back or part-exchange your vehicle.



Agility features:

- Fixed regular payments mean you can easily budget.
- Payments are based only on a proportion of the vehicle's value, keeping your monthly payments lower.
- Our Guaranteed Future Value avoids the risk of unplanned depreciation of your vehicle.
- You defer your ownership decision until the end of the agreement.



At the end of your agreement you have three options to choose from.

Option 1: Purchase your Mercedes-Benz.

Purchase your Mercedes-Benz by paying the Optional Purchase Payment and Purchase Activation Fee.¹ This will complete the purchase of your Mercedes-Benz, leaving you free to simply enjoy your vehicle.

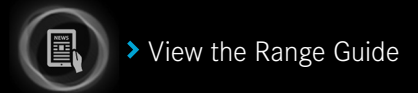
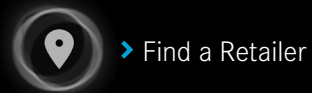
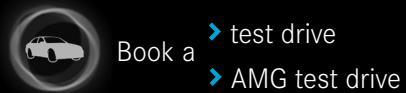
Option 2: Hand back your Mercedes-Benz.

If you decide to return your vehicle to us, it must be in line with our Vehicle Return Standards,* as vehicle condition, excess mileage and other charges may be payable.


Option 3: Part-Exchange for a new vehicle.


Purchase your Mercedes-Benz by paying the Optional Purchase Payment and Purchase Activation Fee.¹ This will complete the purchase of your Mercedes-Benz, leaving you free to part-exchange for a new vehicle.


¹Please note the 'Purchase Activation Fee' of £10 will be debited from your account *To find out more information about our Vehicle Return Standards please visit <http://mercedes-benz.co.uk/vrs>



Follow us on the following social media channels:

 <https://www.facebook.com/MercedesBenzUK>

 <https://twitter.com/mercedesbenz>

 <https://www.youtube.com/mercedesbenz>

 <https://instagram.com/mercedesbenz>

Prices effective from 14 April 2016 for 2017 Model Year (identified by code 807).

Information correct at time of publication.

Prices and specifications are subject to change without prior notice.

MBX156PL/0416