



> Keep me updated



> Find out more



> Find a Retailer



> View the Range Guide

SLC Roadster



Effective from 1 April 2016.

Mercedes-Benz





> Keep me updated



> Find out more



> Find a Retailer



> View the Range Guide

Contents

Model prices	11	AIRGUIDE package	32	Technical data	48
Finance offers	12	Dynamic Handling package	33	Road Fund Licence	52
Sport and AMG Line	16	Night package	34	Services and insurance	53
Mercedes-AMG model	20	Lane Tracking package and Driving Assistance package	35	Mercedes me	54
Mercedes-AMG driver training	22	Optional equipment	36	Mercedes-Benz Finance	56
Standard equipment	24	Colours and materials	44		
Wheels	30				



> Keep me updated



> Find out more



> Find a Retailer



> View the Range Guide

The hard facts to melt your heart

At Mercedes-Benz we appreciate the importance of detail. Over the following pages you'll find model prices and a breakdown of standard and optional equipment, as well as details of the comprehensive services and benefits that are available to every Mercedes-Benz driver.

See Mercedes-Benz in a new light. Now is the time to get yourself behind the wheel of a SLC-Class. Choose from a number of attractive finance offers. Please see pages 12–15 for further details, or visit www.mercedes-benz.co.uk/offers

Of course, some things have to be experienced to be truly appreciated, such as the qualities that set a Mercedes-Benz apart. Which is why we'd like to invite you for a test drive at your local Mercedes-Benz Retailer. Alternatively, you can make arrangements by visiting www.mercedes-benz.co.uk/testdrive

For more information visit www.mercedes-benz.co.uk or call 0333 222 0500.



> Keep me updated



> Find out more



> Find a Retailer



> View the Range Guide





> Keep me updated



> Find out more



> Find a Retailer



> View the Range Guide





> Keep me updated



> Find out more



> Find a Retailer



> View the Range Guide





> Keep me updated



> Find out more



> Find a Retailer



> View the Range Guide





> Keep me updated



> Find out more



> Find a Retailer



> View the Range Guide





> Keep me updated



> Find out more



> Find a Retailer



> View the Range Guide





> Keep me updated



> Find out more



> Find a Retailer



> View the Range Guide





> Keep me updated



> Find out more



> Find a Retailer



> View the Range Guide

Model prices

Engine	Model line	Transmission	CO ₂	Basic RRP excl. VAT (£)	Total RRP incl. VAT (£)	Road Fund Licence (£) ¹	Rec. OTR price (£) ²	P11D value (£)	BiK tax rate 2016/17 (%)
SLC 250 d Diesel – 2,143 cc, 4-cylinder, 204 hp/150 kW	Sport	9G-TRONIC 9-speed automatic	114	26,937.50	32,325.00	0.00	32,995.00	32,940.00	22
	AMG Line	9G-TRONIC 9-speed automatic	114	30,270.83	36,325.00	0.00	36,995.00	36,940.00	22
SLC 200 Petrol – 1,991 cc, 4-cylinder, 184 hp/135 kW	Sport	6-speed manual	150	24,733.33	29,680.00	145.00	30,495.00	30,295.00	27
		9G-TRONIC 9-speed automatic	137	25,983.33	31,180.00	130.00	31,980.00	31,795.00	24
	AMG Line	6-speed manual	150	28,066.67	33,680.00	145.00	34,495.00	34,295.00	27
		9G-TRONIC 9-speed automatic	137	29,316.67	35,180.00	130.00	35,980.00	35,795.00	24
SLC 300 Petrol – 1,991 cc, 4-cylinder, 245 hp/180 kW	AMG Line	9G-TRONIC 9-speed automatic	138	32,154.17	38,585.00	130.00	39,385.00	39,200.00	24
Mercedes-AMG									
Mercedes-AMG SLC 43 Petrol – 2,996 cc, 6-cylinder, 367 hp/270 kW	–	9G-TRONIC 9-speed automatic	178	37,779.17	45,335.00	355.00	46,360.00	45,950.00	32

¹A different first year rate of Vehicle Excise Duty (Road Fund Licence) applies for new cars. Please refer to page 52 for the relevant rate for the second and subsequent years

²Recommended on-the-road price: these prices reflect the Road Fund Licence applicable to the standard model plus £670.00 additional costs necessary to put your car on the road.

Included are a standard UK delivery charge (£540.00 incl. VAT), new vehicle registration fee (£55.00), number plates (£25.00 incl. VAT) and fuel (£50.00 incl. VAT). VAT is calculated at the standard rate of 20%



Mercedes-Benz Finance

It comes with a specification list worth exploring



SLC 200 Sport with manual transmission and optional metallic paint (representative example)

36 monthly payments of ¹	£299.00
Customer deposit	£4,999.00
On-the-road price	£31,140.00
Retailer deposit contribution	£5,084.41
Optional purchase payment ²	£13,425.00
Amount of credit	£21,056.59
Duration of agreement	36 months
Total amount payable ³	£34,282.41
Purchase activation fee ²	£10.00
APR	6.2%
Fixed interest rate	5.98%
Excess mileage	13p per mile



Example offer – 6.2% APR Representative

	Automatic	Metallic	On-the-road price	Retailer deposit contribution	Customer deposit	36 monthly payments of ¹
SLC 200 AMG Line	●	○	£36,625.00	£5,084.41	£6,498.75	£349.00
SLC 250 d AMG Line	●	○	£37,640.00	£5,084.41	£6,339.19	£379.00

● Standard equipment ○ Optional equipment included in the price

Mercedes-Benz Service Care

- Mercedes-Benz trained Technicians
- Maintained by Mercedes-Benz Retailers
- Meets requirements of Mercedes-Benz Agility finance agreement

Mercedes-Benz Motor Insurance

- 24/7 UK accident recovery
- We use Mercedes-Benz GenuineParts
- To qualify for up to 10% discount online, go to www.mercedes-benz.co.uk/motorinsurance
- Alternatively, call Mercedes-Benz Motor Insurance now on **0345 600 2180**⁴ for an annual quote

We may decline to quote in some circumstances. Mercedes-Benz Motor Insurance is underwritten by Aviva Insurance Limited

Content relating to finance is promoted by Mercedes-Benz Finance. Your Retailer may offer finance on behalf of other companies.

Orders/credit approvals on selected new SLC models only, between 1 April and 30 June 2016, registered by 30 September 2016; excluding Mercedes-AMG SLC 43 models. Some combinations of features/options may not be available. Please contact your local Mercedes-Benz Retailer for availability

¹Based on a Mercedes-Benz Agility agreement. Vehicle condition, excess mileage and other charges may be payable. Quotations available on request for alternative contract lengths and mileages.

Guarantees may be required. Credit provided, subject to status, by Mercedes-Benz Finance, MK15 8BA

²Payable if you exercise the option to purchase the car

³Includes optional purchase payment, purchase activation fee and Retailer deposit contribution (where applicable)

⁴Calls are charged at local rate and may be recorded



Mercedes-Benz Finance

Even the finance offer is beautifully put together



Mercedes-AMG SLC 43 with automatic transmission and metallic paint (representative example)

36 monthly payments of ¹	£599.00
Customer deposit	£5,999.00
On-the-road price	£46,360.00
Retailer deposit contribution	£3,921.61
Optional purchase payment ²	£20,025.00
Amount of credit	£36,439.39
Duration of agreement	36 months
Total amount payable ³	£51,519.61
Purchase activation fee ²	£10.00
APR	6.2%
Fixed interest rate	5.98%
Excess mileage	13p per mile



> Keep me updated



> Find out more



> Find a Retailer



> View the Range Guide

Example offer – 6.2% APR Representative

	Automatic	Metallic	On-the-road price	Retailer deposit contribution	Customer deposit	36 monthly payments of ¹
Mercedes-AMG SLC43	●	●	£46,360.00	£3,921.61	£5,999.00	£599.00

- Standard equipment

Mercedes-Benz Service Care

- Mercedes-Benz trained Technicians
- Maintained by Mercedes-Benz Retailers
- Meets requirements of Mercedes-Benz Agility finance agreement

Mercedes-Benz Motor Insurance

- 24/7 UK accident recovery
- We use Mercedes-Benz GenuineParts
- To qualify for up to 10% discount online, go to www.mercedes-benz.co.uk/motorinsurance
- Alternatively, call Mercedes-Benz Motor Insurance now on **0345 600 2180**⁴ for an annual quote

We may decline to quote in some circumstances. Mercedes-Benz Motor Insurance is underwritten by Aviva Insurance Limited

Content relating to finance is promoted by Mercedes-Benz Finance. Your Retailer may offer finance on behalf of other companies.

Orders/credit approvals on Mercedes-AMG SLC models only, between 1 April and 30 June 2016, registered by 30 September 2016; excluding non-Mercedes-AMG models. Some combinations of features/options may not be available. Please contact your local Mercedes-Benz Retailer for availability

¹Based on a Mercedes-Benz Agility agreement. Vehicle condition, excess mileage and other charges may be payable. Quotations available on request for alternative contract lengths and mileages.

Guarantees may be required. Credit provided, subject to status, by Mercedes-Benz Finance, MK15 8BA

²Payable if you exercise the option to purchase the car

³Includes optional purchase payment, purchase activation fee and Retailer deposit contribution (where applicable)

⁴Calls are charged at local rate and may be recorded



> Keep me updated



> Find out more



> Find a Retailer



> View the Range Guide

SLC Sport



Model shown features optional LED Intelligent Light System with Adaptive Highbeam Assist Plus (code 641) and designo diamond white metallic paint (code 799)





> Keep me updated



> Find out more



> Find a Retailer



> View the Range Guide

The new SLC Sport already conveys a strong presence even at a standstill. The comprehensive safety equipment and numerous exclusive details such as the multi-function sports steering wheel in a 3-spoke design, firm sports seats, the air conditioning and headlamps with integral LED daytime running

lamps give your roadster that very special something. The Audio 20 CD ensures yet more music and the best connections. It features internet capability, a radio, twin tuner and a CD drive which facilitates networking with mobile devices via Bluetooth®.

Exterior

17" alloy wheels (4) – 5-spoke design

Active Brake Assist gives the driver a visual and audible warning if the set safety distance from a vehicle ahead or a stationary obstacle narrows; an autonomous braking function can give the driver a haptic warning by initiating braking

Cruise control with variable speed limiter

Electro-hydraulic vario-roof

Headlamps – halogen with integrated LED daytime running lamps

Interior

Air conditioning

Audio 20 radio with 7-inch colour display, Bluetooth® interface, and two USB ports in centre armrest

DAB digital radio tuner

DYNAMIC SELECT with a choice of five driving modes (automatic transmission only)

Media interface port for for iPod® or iPhone®

Pre-wiring for Garmin® MAP PILOT navigation system

Roof lining – black

Sports seats

Steering wheel – 3-spoke multi-function sports steering wheel trimmed in black nappa leather with flattened bottom section

Steering wheel gearshift paddles (automatic transmission only)

Wind deflector – fabric

The fabric wind deflector provides draught protection in high winds and cooler weather conditions. It slots in between the roll-over bars and can be fitted or removed quickly and easily

Trim and Upholstery

Light carbon-grain aluminium Cloth – black





> Keep me updated



> Find out more



> Find a Retailer



> View the Range Guide

SLC AMG Line



Model shown features optional 18" AMG alloy wheels (4) in 5-spoke design (code 792) and selenite grey metallic paint (code 992)



Image shows optional LED Intelligent Light System with Adaptive Highbeam Assist Plus (code 641) and selenite grey metallic paint (code 992)

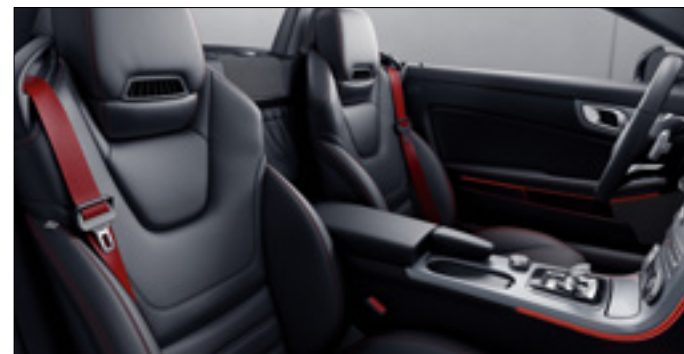


Image shows optional ambient lighting (code 877) and AIRSCARF (code 403)



> Keep me updated



> Find out more



> Find a Retailer



> View the Range Guide

The SLC AMG Line brings together perfectly coordinated features designed to further enhance sportiness and exclusivity. The powerful AMG bodystyling ensures a dynamic appearance from any angle.

AMG Line upgrade – designed and priced as a package, including additional luxury items as listed below.

Upgrade price (from Sport)

Total incl. VAT £4,000.00

Exterior

18" alloy wheels (4) – multi-spoke design

AMG bodystyling – front and rear aprons, side skirts

Diamond radiator grille with chrome pins and chrome-plated louvre

Sports braking system with perforated front brake discs and brake calipers with 'Mercedes-Benz' lettering

Sports suspension – lowered by 10 mm

Interior

AMG velour floor mats

Instrument cluster with chequered-flag design

Steering wheel – flat-bottomed sports steering wheel with perforated leather in grip area, galvanised silver-chrome paddle shifters (automatic only) and red contrasting topstitching

The following features are standard with black (code 221); also included with optional black nappa leather/DINAMICA microfibre (code 711):

- Red topstitching on seats, steering wheel and gearshift gaiter; additionally on door armrests (with nappa leather)
- Sports seats with vertical fluting design; red seat belts
- Perforated grip area on steering wheel
- Black velour floor mats with red edging

These features are not included when ordering standard black without red contrasting topstitching (code 201), sahara beige leather (code 205) or any of the alternative optional upholstery

Trim and Upholstery

Light carbon-grain aluminium



Leather – black



Leather – sahara beige



Leather – black with red topstitching





> Keep me updated



> Find out more

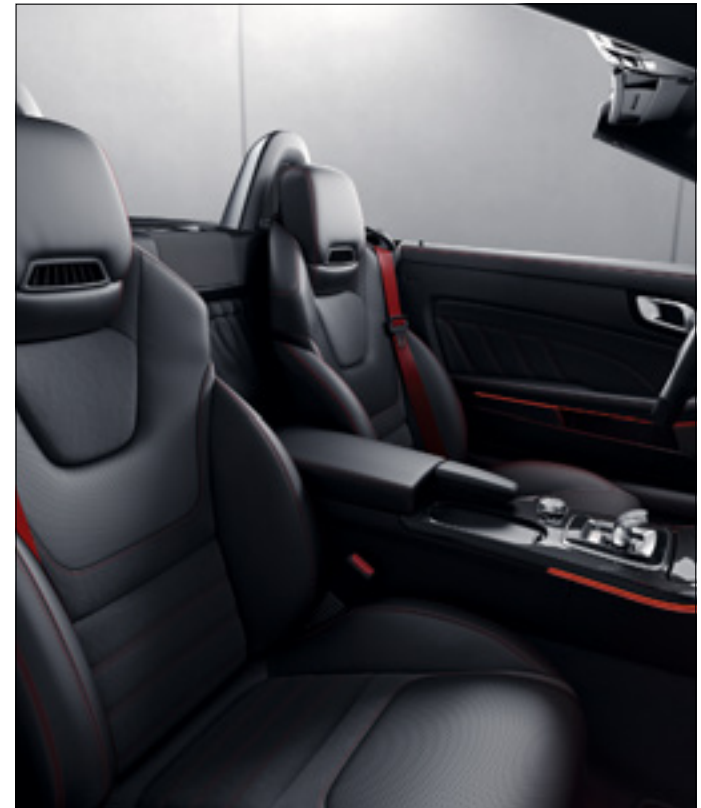


> Find a Retailer



> View the Range Guide

Mercedes-AMG SLC 43



Model shown features optional 18" AMG alloy wheels (4) – multi-spoke design (code 85R)



> Keep me updated



> Find out more



> Find a Retailer



> View the Range Guide

A roadster like a thunderbolt: forceful, unmistakable. Sonorous 367 hp (270 kW) and a torque of 520 Nm catapult it from 0–62.5 mph in 4.7 seconds. Pressed into the sports seats in nappa leather/DINAMICA microfibre by the acceleration, the sports steering wheel with gearshift paddles firmly in

hand, the AMG excitement sweeps you away. Everything points to sport on the exterior, too: 18" AMG alloy wheels, painted black or titanium grey with a high-shine finish, two chromed tailpipe trims with a centrepiece, black exterior mirrors – and the inimitable face of AMG.

Exterior

3.0-litre V6 with modified engine management and higher boost pressure

18" AMG alloy wheels (4) – 10-spoke design

AMG bodystyling with model-specific front and rear aprons, front splitter in silver chrome plus wheelhouse covers integrated in rear wheel arch linings

AMG mechanical rear-axle limited-slip differential provides improved traction in every driving situation, especially when the driver adopts a sporty driving style.

- Allows even more precise vehicle handling
- If a difference in the rotational speed of the driven wheels arises, torque is directed to the wheel with better grip in order to reduce slip
- Provides improved traction in all driving situations (moving off, accelerating, dynamic cornering and braking)
- Allows better acceleration out of corners
- Stabilises the car when braking into a bend and at high speeds
- Mechanically controlled multi-disc limited-slip differential with two multi-disc clutches and two thrust washers

AMG high-performance braking system with larger brake discs, perforated all round

AMG speed-sensitive sports steering with constant, very direct ratio ensures light, agile cornering performance with clear feedback

AMG spoiler lip on boot lid

AMG sports exhaust system with two chrome-plated tailpipes integrated into the bumper with centrepiece (four-pipe look)

'BITURBO' lettering on front wings

Diamond radiator grille in chrome with high-gloss black louvre

Exterior mirror housings in high-gloss black

Red brake calipers

Side air outlets in the wings with fin in silver chrome

Interior

AMG door sill panels in brushed stainless steel

AMG instrument cluster in chequered-flag design with 175 mph scale and RACETIMER

Analogue clock featuring an IWC design

Start-up display with AMG logo

Steering wheel – 3-spoke AMG Performance steering wheel in nappa leather/DINAMICA microfibre, red contrasting topstitching and red 12 o'clock marking

Upholstery in nappa leather/DINAMICA microfibre in black with red piping and topstitching

Trim and Upholstery

Dark carbon-grain aluminium

Nappa leather/DINAMICA microfibre – black



Exclusive driver training for Mercedes-AMG owners

All Mercedes-AMG customers are invited to a complimentary AMG Driving Academy Training experience at Mercedes-Benz World.



With friendly one-to-one tuition from a professional Mercedes-AMG driver, your training will be personalised to you. You'll push Mercedes-AMG driving performance and your driving skills to the limits on our track and purpose-built low friction dynamic handling facilities.

Through high-speed and adrenaline-fuelled exercises you'll experience oversteer, understeer, slaloms and many more performance driving skills. Designed as part of your ownership experience, this will lay the foundations to master a high-performance vehicle, develop driving skills with maximum enjoyment and prepare you to take full command of your own Mercedes-AMG.

TERMS AND CONDITIONS

The following only are eligible: the first purchaser/registered keeper of a newly-registered Mercedes-AMG; the second owner/registered keeper of a Mercedes-AMG purchased from a Mercedes-Benz Retailer, where the vehicle is less than 90 days from registration. The AMG Driving Academy Training experience is the AMG BASIC-Training as detailed in the further information above and must be booked and taken within six months of delivery of your Mercedes-AMG; it cannot be exchanged and cannot be transferred for any other driving experience. The Training experience is available Monday to Friday only and is subject to availability. Mercedes-Benz UK Limited reserves the right to amend or withdraw this Training experience. Attendees must hold a full UK driving licence. Attendees will be required to sign the Mercedes-Benz World Driving Risk Acknowledgement prior to undertaking the Training experience. The Training experience is also subject to the Mercedes-Benz World Terms and Conditions, as applicable.



> Keep me updated



> Find out more



> Find a Retailer



> View the Range Guide





> Keep me updated



> Find out more



> Find a Retailer



> View the Range Guide

Standard equipment



Fabric wind deflector



Air conditioning



DAB digital radio tuner



DYNAMIC SELECT with a choice of driving modes¹

¹Automatic transmission only



Electro-hydraulic vario-roof



Halogen headlamps with integrated LED daytime running lamps



Item	Sport	AMG Line	Mercedes-AMG SLC43
Transmission and Suspension			
6-speed manual with cruise control, SPEEDTRONIC variable speed limiter SLC 200 only	●	●	-
9G-TRONIC automatic transmission with cruise control, SPEEDTRONIC variable speed limiter and steering wheel gearshift paddles	●	●	●
DYNAMIC SELECT with a choice of driving modes: Comfort, Eco, Sport, Sport+ and Individual	●	●	●
ECO start/stop function	●	●	●
Suspension – sports suspension tuned for improved handling and driving dynamics, lowered by 10 mm	-	●	-
Suspension – AMG sports suspension designed for high lateral acceleration and reduced body roll	-	-	●
Exterior			
Mirror package – electrically folding mirrors, automatically dimming exterior driver's mirror and rear-view mirror	○	○	●
AMG bodystyling – front and rear aprons, side skirts	-	●	-
AMG bodystyling with exclusive SLC 43 front and rear aprons and side skirts	-	-	●
AMG-specific diamond radiator grille in chrome with high-gloss black louvre	-	-	●
AMG spoiler lip on boot lid	-	-	●
AMG sports exhaust system with two chrome-plated tailpipes integrated into the bumper with centrepiece (four-pipe look)	-	-	●
'BITURBO' lettering on front wings	-	-	●

Item	Sport	AMG Line	Mercedes-AMG SLC43
Diesel Particulate Filter (DPF) SLC 250 d	●	●	-
Electro-hydraulic vario-roof	●	●	●
Fuel tank – 60-litre	●	●	-
Fuel tank – 70-litre	-	-	●
Headlamps – halogen with integrated LED daytime running lamps	●	●	-
Headlamps – LED Intelligent Light System with Adaptive Highbeam Assist Plus LED headlamps, highbeam and direction indicator LED position light, cornering light and daytime running lamps Dynamic headlamp range adjustment for ideal visibility in all weather, lighting and driving conditions Variable light distribution for driving on country roads and motorways as well as in heavy fog Active light function allows headlamps to pivot into bends by up to 15° to illuminate road surface more effectively, improving visibility Cornering light function: two LEDs per headlamp improve road illumination in tight bends by automatically switching on cornering light on the relevant side Enhanced fog lamp function illuminates outer half of the carriageway more effectively while reducing glare due to light reflected by fog. Can be activated at speeds below 44 mph and remains switched on up to 62 mph Welcome home function lights up LED fibre optics in the headlamps in blue after unlocking the vehicle, transitioning to white locator lighting	○	○	●
Heated windscreen washer system	○	○	●
Rain-sensing windscreen wipers	○	○	●



Item	Sport	AMG Line	Mercedes-AMG SLC 43
Exterior (continued)			
Remote boot release	●	●	●
Sports exhaust system Features an even sportier character and reinforces the emotional sound experience. The acoustics can be tailored to suit personal taste in conjunction with the DYNAMIC SELECT driving modes via the integrated exhaust flap SLC 200 automatic and SLC 300 automatic only	●	●	-
Tail lamps – LED	●	●	●
Interior			
Interior Lighting package Ambient lighting in exterior mirrors, courtesy exit lights in the A-pillars, illuminated front footwell, illumination of centre console stowage compartment, sun visors with illuminated vanity mirror	○	○	●
Air conditioning	●	●	●
AIRSCARF – neck-level heating Through air outlets in the head restraints, pleasantly warm air is ‘wrapped’ around the necks of the driver and passenger like an invisible scarf. The desired temperature can be set in three stages	○	○	●
Ambient lighting	○	○	●
Analogue clock	○	○	●

Item	Sport	AMG Line	Mercedes-AMG SLC 43
Cup holders in centre console; includes bottle holder in passenger footwell	○	○	●
Door sill panels – with ‘Mercedes-Benz’ lettering	●	●	-
Door sill panels – brushed stainless steel with ‘AMG’ lettering	-	-	●
Electric windows (2)	●	●	●
Floor mats – AMG floor mats with ‘AMG’ lettering and piping in red	-	●	●
Instrument cluster – AMG instrument cluster with two tube-shaped round dials, 4.5-inch multi-function colour display with chequered-flag design	-	-	●
Instrument cluster – twin-tube look with 4.5-inch TFT multi-function colour display	●	-	-
Instrument cluster – chequered-flag design with 4.5-inch TFT multi-function colour display	-	●	-
Instrument cluster – outside temperature display	●	●	●
Seats – front, heated	○	○	●
Seats – with height adjusters	●	●	●
Seats – sports seats provide the driver and passenger with plenty of support and at the same time offer maximum seating comfort, particularly on long journeys	●	●	●
Sports pedals in brushed stainless steel with rubber studs	●	●	●
Stowage – glove compartment, independently lockable	●	●	●



> Keep me updated



> Find out more



> Find a Retailer



> View the Range Guide

Standard equipment

27

Item	Sport	AMG Line	Mercedes-AMG SLC43
Steering			
Direct Steering The Direct-Steer system supplements the comfort of speed-sensitive power steering with a variable ratio dependent on the steering angle. This reduces steering movements and the effort required when parking and manoeuvring, and makes the vehicle reaction to steering input noticeably more agile, for example on winding country roads	△	△	-
Steering column - manually adjustable for height and reach	●	●	●
Steering wheel - 3-spoke multi-function sports steering wheel, trimmed in black nappa leather with flattened bottom section	●	-	-
Steering wheel - flat-bottomed sports steering wheel with perforated leather in the grip area, galvanised silver-chrome paddle shifters (automatic only) and red contrasting topstitching	-	●	-
Steering wheel - 3-spoke AMG Performance steering wheel in nappa leather/ DINAMICA microfibre, red contrasting topstitching and red 12 o'clock marking	-	-	●

Item	Sport	AMG Line	Mercedes-AMG SLC43
Paint, Trim and Upholstery			
Paint - non-metallic	●	●	●
Trim - dark carbon-grain aluminium	○	○	●
Trim - light carbon-grain aluminium	●	●	○
Upholstery - cloth	●	-	-
Upholstery - leather	○	●	-
Upholstery - nappa leather/DINAMICA microfibre	-	○	●



Item	Sport	AMG Line	Mercedes-AMG SLC43
Security and Safety			
Acceleration Skid Control (ASR)	●	●	●
Active bonnet – pedestrian safety measure	●	●	●
ACTIVE BRAKE ASSIST Gives the driver a visual and audible warning if the set safety distance from a vehicle ahead or a stationary obstacle narrows; an autonomous braking function can give the driver a haptic warning by initiating braking	●	●	●
Airbags – dual-stage, driver and passenger	●	●	●
Airbags – head and sidebags for driver and passenger	●	●	●
Alarm system with immobiliser and interior protection (MBSS3)	●	●	●
ATTENTION ASSIST Continuously analyses driver behaviour and steering movements. If patterns are recognised which characterise drowsiness, the driver is prompted to take a break and an audible warning is sounded. If the vehicle has COMAND Online, the system offers to search for a rest stop	●	●	●
Braking – adaptive brake lights	●	●	●
Braking – Adaptive Brake System with HOLD function	●	●	●
Braking – AMG high-performance braking system with internally ventilated, perforated brake discs	–	–	●

Item	Sport	AMG Line	Mercedes-AMG SLC43
Braking – anti-lock braking system (ABS) with Brake Assist (BAS)	●	●	●
Braking – brake-pad wear warning indicator	●	●	●
Braking – perforated front brake discs and brake calipers with ‘Mercedes-Benz’ lettering	–	●	–
Crash-responsive head restraints In a rear-end collision, the crash-responsive head restraints can be pushed forward by around 40 mm and upwards by around 30 mm. This enables the head to be supported at an earlier stage and the risk of whiplash injury to be reduced	●	●	●
Electric parking brake	●	●	●
Electronic Stability Programme (ESP®)	●	●	–
Electronic Stability Programme (ESP®) – 3-stage	–	–	●
ESP® Curve Dynamic Assist When accelerating in bends, this system ensures more stability and handling safety. Available as part of the Dynamic Handling package (code 483)	△	△	●
First-aid kit and warning triangle	●	●	●
Headlamp Assist – automatic headlamp activation	●	●	●



Item	Sport	AMG Line	Mercedes-AMG SLC43
Security and Safety (continued)			
Parking - PARKTRONIC with Parking Guidance This system makes searching for a parking space as well as parallel parking easier. The driver is supported by means of steering instructions in the instrument cluster. PARKTRONIC monitors the front and rear end while the driver is manoeuvring the vehicle and gives a warning if the risk of a collision is detected	○	○	●
Parking - reversing camera	○	○	●
Remote central locking	●	●	●
Roll-over protection	●	●	●
Seats - automatic child seat recognition sensor	●	●	●
Seats - seat belt pre-tensioners	●	●	●
Service indicator ASSYST	●	●	●
Tyres - TIREFIT tyre-sealant kit	●	●	●
Tyres - tyre pressure monitoring system	●	●	●

Item	Sport	AMG Line	Mercedes-AMG SLC43
Communications and In-Car Entertainment			
Audio 20 radio, CD player (MP3 compatible), 6 speakers and telephone keypad	●	●	●
Bluetooth® interface with HD voice-capable hands-free function and audio streaming for playing music files	●	●	●
Central controller dial to operate audio functions and telephone (when connected)	●	●	●
DAB digital radio tuner	●	●	●
Garmin® MAP PILOT navigation system Extends the Audio 20 CD into a full-fledged Garmin® navigation system. Navigation software and map data sets on an SD memory card, simple operation via controller as well as voice recognition, Garmin® look-and-feel map display via the Media Display with additional navigation instructions in the multi-function display of the instrument cluster, output of voice instructions via the vehicle's built-in speakers, simple software and map updates via the internet	○	○	●
High-resolution 7-inch colour Media Display	●	●	●
Media Interface port for iPod® or iPhone®	●	●	●
Pre-wiring for Garmin® MAP PILOT navigation system	●	●	●
Two USB ports in centre console	●	●	●



> Keep me updated



> Find out more







> Find a Retailer



> View the Range Guide

A revolution in style

Item	Notes		Sport	AMG Line	Mercedes-AMG SLC 43	Basic RRP excl. VAT (£)	Total RRP incl. VAT (£)
Wheels							
17" alloy wheels (4) – 5-spoke design front: 225/45 tyres rear: 245/40 tyres			37R	●	-	-	-
18" alloy wheels (4) – 5-twin-spoke design front: 225/40 tyres rear: 245/35 tyres			35R	○	-	995.83	1,195.00
18" AMG alloy wheels (4) – multi-spoke design front: 225/40 tyres rear: 245/35 tyres			85R	-	●	-	-
				-	○	83.33	100.00
18" AMG bi-colour alloy wheels (4) – multi-spoke design front: 225/40 tyres rear: 245/35 tyres	Included with Night package (code P60)		91R	-	△	-	-
	Only in conjunction with Night Package (code P60)			-	○	83.33	100.00

● Standard ○ Optional - Not available △ Dependent on selected engine/equipment



> Keep me updated






> Find out more



> Find a Retailer



> View the Range Guide

Item	Notes		Sport	AMG Line	Mercedes-AMG SLC 43	Basic RRP excl. VAT (£)	Total RRP incl. VAT (£)	
Wheels (continued)								
18" AMG alloy wheels (4) – 5-spoke design front: 225/40 tyres rear: 245/35 tyres			792	-	○	-	83.33	100.00
18" AMG alloy wheels (4) – 10-spoke design front: 235/40 tyres rear: 255/35 tyres			796	-	-	●	-	-
18" AMG alloy wheels (4) – 10-spoke design, matt black front: 235/40 tyres rear: 255/35 tyres	Included with Night package (code P60)		607	-	-	△	-	-

AIRGUIDE package



Defy the elements. To help you enjoy top-down motoring as often as possible, the SLC offers AIRGUIDE – a pair of transparent draught deflectors discreetly located behind the seat headrests. When required, these manually pivot into position helping to minimise turbulent air flow and noise within the cabin.

AIRGUIDE package – designed and priced as a package, including luxury items as listed below.

SLC Sport and AMG Line Total incl. VAT £315.00

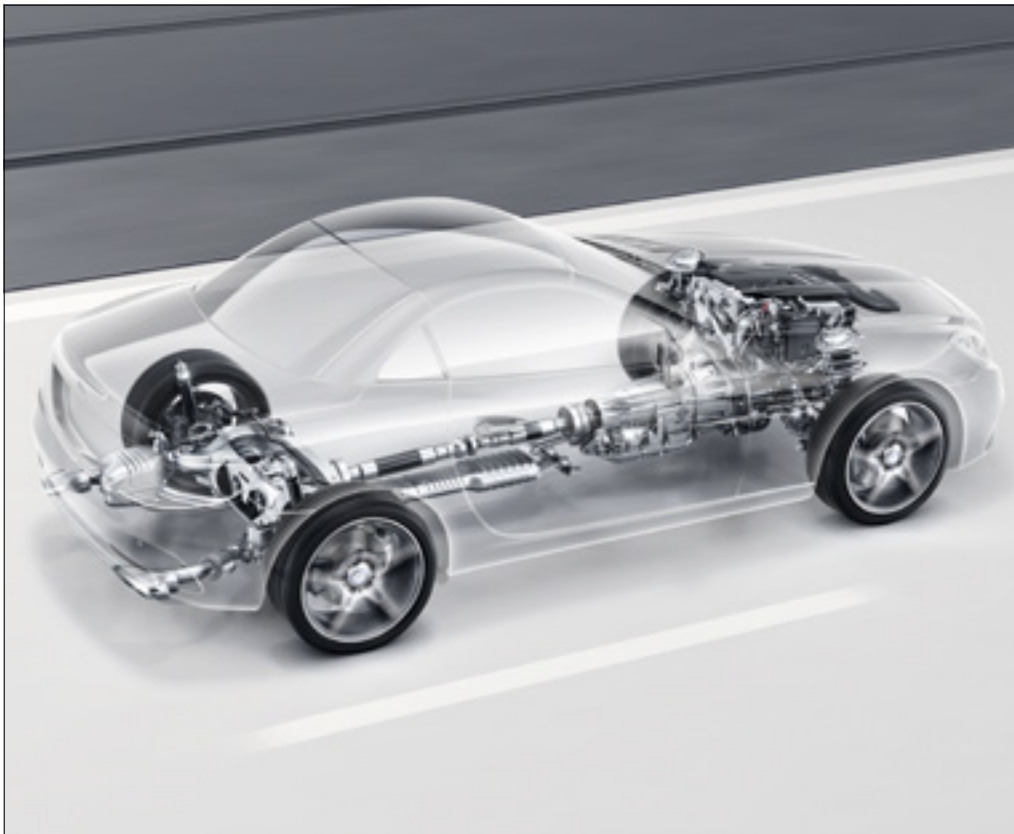
AIRGUIDE package (code 283)

AIRGUIDE – pivoting, transparent wind deflectors

Roll-over bars with aluminium inserts



Dynamic Handling package



The adaptive damping system, Direct-Steer system with speed-sensitive power assist and variable steering ratio as well as the ESP® Curve Dynamic Assist enhance agility, driving comfort and directional stability.

Dynamic Handling package – designed and priced as a package, including features listed below.

SLC Sport	Total incl. VAT £1,205.00
SLC AMG Line	Total incl. VAT £995.00

Dynamic Handling package (code 483)

Combination of lowered suspension with adaptive damping system, Direct-Steer system and ESP® Curve Dynamic Assist

Damping system features three basic settings: Comfort, Sport and Sport+

Damping force is continuously and automatically adjusted on each individual wheel to the given driving situation

Direct-Steer system combining speed-sensitive power assist and a variable steering ratio dependent on steering wheel angle

Improved handling thanks to enhanced agility when cornering

Sportier and more dynamic cornering performance

More comfort when manoeuvring and parking thanks to fewer steering movements and a high power assist

Improved straight-line stability at higher speeds

Night package

SLC AMG Line



Mercedes-AMG SLC 43



Yet more extravagance and athleticism, available on request: the Night package. Highlights include distinctive design features in black. The front splitter, the trim strip in the rear diffuser and the louvre in the diamond radiator grille sparkle in high-gloss black paint, as do the exterior mirror housings. The crowning glory is formed by 18" AMG multi-spoke alloy wheels in black.

Night package – designed and priced as a package, including items listed below.

SLC AMG Line **Total incl. VAT £495.00**
Mercedes-AMG SLC 43 **£555.00**

Item	Night package ¹ (code P60)	Night package ² (code P60)
18" AMG bi-colour alloy wheels (4) – multi-spoke design (code 91R)	■	–
Includes high-gloss black exterior mirrors, front splitter and diffuser trim	■	–
18" AMG alloy wheels (4) – 10-spoke design, matt black (code 607)	–	■
Includes high-gloss black front splitter, fins in front bumper, trim strip in rear diffuser and black tailpipes	–	■

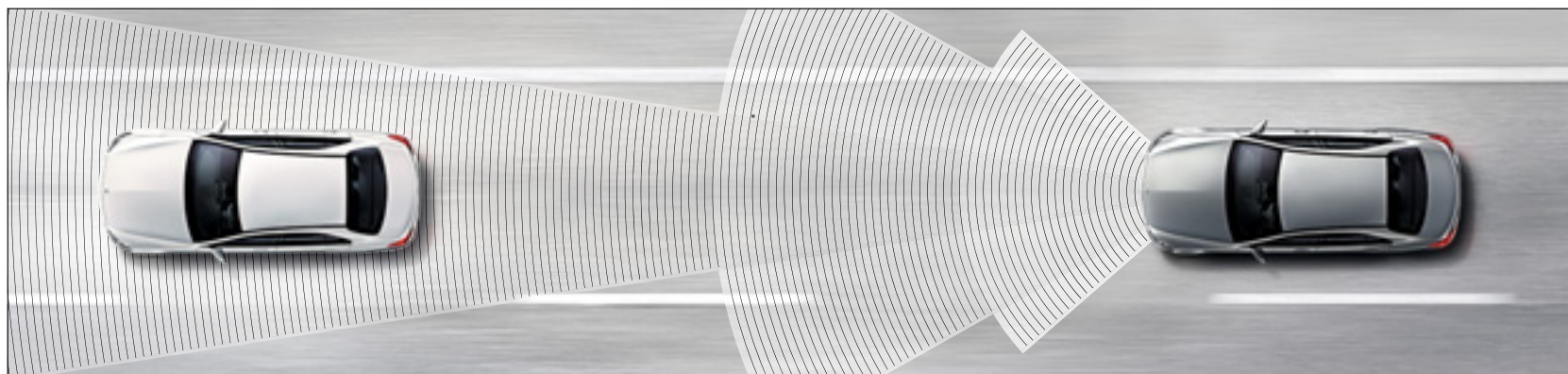
■ Included – Not included Wheel shown (code 91R) is available for Mercedes-AMG SLC43 at additional cost ¹Available on SLC AMG Line only ²Available on Mercedes-AMG SLC43 only



Lane Tracking package and Driving Assistance package

Both of these packages contain highly intelligent features to help you stay safe on the road – by making the drive more effortless, and to alert you to any emergency. The Lane Tracking package includes Blind Spot Assist and Lane Keeping Assist. Distance Pilot DISTRONIC is part of the Driving Assistance package only.

Item	Notes	Lane Tracking package £595.00 ¹ (code 22P)	Driving Assistance package £1,695.00 ² (code DP2)
Blind Spot Assist	Blind Spot Assist is able to detect vehicles in the blind spot and give the driver visible and audible warnings	■	■
Lane Keeping Assist	Lane Keeping Assist is able to detect when the vehicle is unintentionally drifting out of lane, duly warning the driver by means of pulsed vibrations through the steering wheel	■	■
Distance Pilot DISTRONIC	Distance Pilot DISTRONIC helps the driver to maintain a safe distance to the vehicle in front and so relieves strain on the driver, especially on long journeys or in a traffic jam	–	■



Distance Pilot DISTRONIC

■ Included – Not included ¹Only in conjunction with Mirror Package (P49) ²Only in conjunction with automatic transmission and Mirror Package (P49)



> Keep me updated



> Find out more



> Find a Retailer



> View the Range Guide

Optional equipment



AIRSCARF neck-level heating



COMAND Online system



Harman Kardon® Logic 7® surround sound system



Illuminated door sill panels



LED Intelligent Light System with Adaptive Highbeam Assist Plus



Reversing camera



> Keep me updated



> Find out more



> Find a Retailer



> View the Range Guide

Optional equipment

37

Item	Notes		Sport	AMG Line	Mercedes-AMG SLC 43	Basic RRP excl. VAT (£)	Total RRP incl. VAT (£)
Exterior							
Mirror package – electrically folding mirrors, automatically dimming exterior driver’s mirror and rear-view mirror		P49	○	○	●	291.67	350.00
AIRGUIDE – pivoting, transparent wind deflectors	Included in AIRGUIDE package (code 283) – see page 32	283	△	△	-	-	-
			-	-	○	237.50	285.00
Headlamps – LED Intelligent Light System with Adaptive Highbeam Assist Plus LED headlamps, highbeam and direction indicator LED position light, cornering light and daytime running lamps Dynamic headlamp range adjustment for ideal visibility in all weather, lighting and driving conditions Variable light distribution for driving on country roads and motorways as well as in heavy fog Active light function allows headlamps to pivot into bends by up to 15° to illuminate road surface more effectively, improving visibility Cornering light function: two LEDs per headlamp improve road illumination in tight bends by automatically switching on cornering light on the relevant side Enhanced fog lamp function illuminates outer half of the carriageway more effectively while reducing glare due to light reflected by fog. Can be activated at speeds below 44 mph and remains switched on up to 62 mph Welcome home function lights up LED fibre optics in the headlamps in blue after unlocking the vehicle, transitioning to white locator lighting		641	○	○	●	958.33	1,150.00
Heated windscreen washer system		875	○	○	●	141.67	170.00

● Standard ○ Optional - Not available △ Only available as part of a package



> Keep me updated



> Find out more



> Find a Retailer



> View the Range Guide

Optional equipment

38

Item	Notes		Sport	AMG Line	Mercedes-AMG SLC 43	Basic RRP excl. VAT (£)	Total RRP incl. VAT (£)
Exterior (continued)							
KEYLESS-GO The vehicle can be conveniently opened, started and locked with this access and drive authorisation system – simply by carrying the electronic key. The semi-automatic boot separator electrically lowers the boot separator into position. The vario roof can be opened and closed remotely via the vehicle key	Only in conjunction with automatic transmission	889	○	○	○	637.50	765.00
Panoramic glass sunroof, tinted A large, tinted glass section in the roof provides a clear view overhead		415	○	○	○	341.67	410.00
Panoramic roof with MAGIC SKY CONTROL – switchable transparency The large panoramic roof changes from dark to transparent or vice versa within a few seconds. In its tinted state, it substantially reduces heating up of the vehicle interior		412	○	○	○	1,662.50	1,995.00
Parking – PARKTRONIC with Parking Guidance This system makes searching for a parking space as well as parallel parking easier. The driver is supported by means of steering instructions in the instrument cluster. PARKTRONIC monitors the front and rear end while the driver is manoeuvring the vehicle and gives a warning if the risk of a collision is detected		230	○	○	●	562.50	675.00
Parking – reversing camera		345	○	○	●	291.67	350.00
Rain-sensing windscreen wipers		345	○	○	●	79.17	95.00

● Standard ○ Optional – Not available



Item	Notes		Sport	AMG Line	Mercedes-AMG SLC 43	Basic RRP excl. VAT (£)	Total RRP incl. VAT (£)
Interior							
Interior Lighting package Ambient lighting in exterior mirrors, courtesy exit lights in the A-pillars, illuminated front footwell, illumination of centre console stowage compartment, sun visors with illuminated vanity mirror		876	<input type="radio"/>	<input type="radio"/>	<input checked="" type="radio"/>	95.83	115.00
Memory package Driver's seat, passenger seat, steering column and exterior mirrors – electrically adjustable with memory. Includes exterior mirror with parking position and four-way lumbar support for driver and front passenger	Only with leather or nappa leather	P64	<input type="radio"/>	<input type="radio"/>	<input type="radio"/>	858.33	1,030.00
AIRSCARF – neck-level heating Through air outlets in the head restraints, pleasantly warm air is 'wrapped' around the necks of the driver and passenger like an invisible scarf. The desired temperature can be set in three stages	Only in conjunction with heated seats (code 873) and leather upholstery	403	<input type="radio"/>	<input type="radio"/>	<input checked="" type="radio"/>	329.17	395.00
Ambient lighting LED lighting located in the centre console, armrest and footwell. Offers a choice of three colours: solar red, polar blue and polar white. The lighting can be dimmed to suit personal taste		877	<input type="radio"/>	<input type="radio"/>	<input checked="" type="radio"/>	204.17	245.00
Analogue clock The round, high-quality analogue clock with the Mercedes star is easily visible on the dashboard		246	<input type="radio"/>	<input type="radio"/>	<input checked="" type="radio"/>	162.50	195.00



> Keep me updated



> Find out more



> Find a Retailer



> View the Range Guide

Optional equipment

40

Item	Notes		Sport	AMG Line	Mercedes-AMG SLC 43	Basic RRP excl. VAT (£)	Total RRP incl. VAT (£)
Interior (continued)							
Cup holders	In centre console; includes bottle holder in passenger footwell	309	○	○	●	41.67	50.00
Illuminated door sill panels		U25	○	○	○	145.83	175.00
Seats - front, heated		873	○	○	●	275.00	330.00
THERMOTRONIC automatic climate control The automatic climate control system with two climate zones provides an individual feel-good climate on board. Temperature, airflow and air distribution are controlled automatically. The temperature can be controlled separately for driver and front passenger		581	○	○	○	412.50	495.00

● Standard ○ Optional - Not available



Item	Notes		Sport	AMG Line	Mercedes-AMG SLC43	Basic RRP excl. VAT (£)	Total RRP incl. VAT (£)
Paint, Trim and Upholstery							
Metallic paint		'	○	○	○	537.50	645.00
designo metallic paint	Please check with your Retailer for availability	'	○	○	○	745.83	895.00
Available in: designo diamond white metallic 799 designo hyacinth red metallic 996							
designo magno cerussite grey	Please check with your Retailer for availability	H73	○	○	○	1,329.17	1,595.00
Trim – AMG carbon fibre	Only available in conjunction with ambient lighting (code 877)	H74	○	○	○	1,245.83	1,495.00
Trim – dark carbon-grain aluminium trim		H74	○	○	●	70.83	85.00
Trim – high-gloss black ash wood		736	○	○	○	412.50	495.00
Trim – light carbon-grain aluminium trim		H78	●	●	○		no-cost option
Upholstery – leather with contrast topstitching		'	○	●	–	829.17	995.00
Upholstery – nappa leather/DINAMICA microfibre		'	–	○	●	300.00	360.00
Upholstery – nappa leather		'	–	○	–	300.00	360.00
Armrests and hand rest in black nappa leather			–	–	○	745.83	895.00
Contrast topstitching							
Gearshift and gaiter in black nappa leather							
Perforation in seat shoulder area							
Seats and door centre panel in nappa leather							



> Keep me updated



> Find out more



> Find a Retailer



> View the Range Guide

Optional equipment

42

Item	Notes		Sport	AMG Line	Mercedes-AMG SLC 43	Basic RRP excl. VAT (£)	Total RRP incl. VAT (£)
Communications and In-Car Entertainment							
COMAND Online system ¹ Includes radio, single CD/DVD, 7-inch colour display, hard disk drive (HDD) navigation with 3D map display, Live Traffic Information and European map data updates free of charge for the first three years, Speed Limit Assist and LINGUATRONIC voice control. Internet-enabled mobile phone required for emergency call system (eCall), Mercedes-Benz apps and in-car internet access for Facebook, internet radio, sending routes from Google Maps™ to the vehicle, news and weather reports. Also includes SD memory card slot and MP3 compatibility. Traffic Sign Assist Speed Limit Assist with wrong-way warning function and graphical display of speed limit in instrument cluster		531	<input type="radio"/>	<input type="radio"/>	<input type="radio"/>	1,745.83	2,095.00
Garmin® MAP PILOT navigation system with Live Traffic Information Operation via controller, touchpad or voice control. SD card navigation with instructions shown on 7-inch high-resolution colour display in the instrument cluster. Includes 3D views with visualisation of roads and buildings as well as junction and lane assistants, making it easy for drivers to orientate themselves. Spoken instructions are emitted through vehicle's built-in speakers. Software and map can be updated online		357	<input type="radio"/>	<input type="radio"/>	<input checked="" type="radio"/>	495.83	595.00
Harman Kardon® Logic 7® surround sound system 10 high-performance speakers and a 10-channel amplifier with total output of 500 watts (10×50 W)		810	<input type="radio"/>	<input type="radio"/>	<input type="radio"/>	537.50	645.00



Item	Notes		Sport	AMG Line	Mercedes-AMG SLC 43	Basic RRP excl. VAT (£)	Total RRP incl. VAT (£)
Communications and In-Car Entertainment (continued)							
Mercedes me – Remote Online services On-board use of the remote and location services, e.g. geographic vehicle monitoring, vehicle location, remote door locking and unlocking, remote interrogation of vehicle status. Remote Online subscription services are limited to three years from initial registration, and can be extended at additional cost	Standard with COMAND Online system (code 531)	11U	○	○	○	125.00	150.00
Smartphone integration Comprising Apple CarPlay™. Compatible iPhones (iPhone 5 and newer) can be integrated into the vehicle via Apple CarPlay™. Please check on www.apple.com/uk/ios/carplay/ for compatibility and approved apps. Certain features and apps require a 3G or 4G data connection. Control of features available through voice control and controller on centre console	Standard with COMAND Online system (code 531)	14U	○	○	○	208.33	250.00
Service Package							
Service Care Service Care allows you to spread the cost of servicing your new car in the Mercedes-Benz Retailer network. Taking out a Service Care plan ensures your servicing needs are taken care of by fully-trained Mercedes-Benz Technicians with the added benefit of a Mercedes-Benz service history	Price is based on a monthly rate. Example given is for two services taken over 24 months, three services over 36 months or four services over 48 months. Further payment options are available. New Service Care prices apply only to vehicles up to 12 months old prior to first service. Prices correct up to 30 April 2016		○	○	-	29.17	35.00
			-	-	○	tba	tba



> Keep me updated



> Find out more



> Find a Retailer



> View the Range Guide

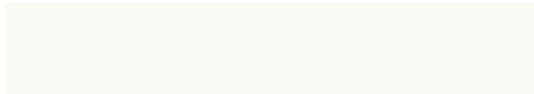
Colours and materials

Non-metallic paints

Standard



040 black



149 polar white



590 fire opal

Metallic paints

Optional



197 obsidian black



775 iridium silver



896 brilliant blue



963 indium grey



988 diamond silver



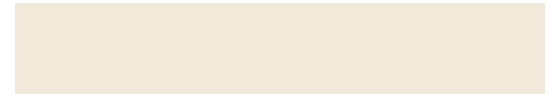
992 selenite grey

designo paints

Additional-cost option¹



281 designo magno cerussite grey



799 designo diamond white metallic



996 designo hyacinth red metallic

¹Please check with your Retailer for availability designo magno matt paint finishes require extra care. Please refer to the Owner's Manual for instructions Please note that, owing to limitations of on-screen representation, paint colours may differ from those shown



> Keep me updated



> Find out more



> Find a Retailer



> View the Range Guide

Cloth

Sport (standard)



001 black

Leather

AMG Line (standard); Sport (optional)



201 black



205 sahara beige



221 black sports seats with red stitching and sports seat piping¹

Nappa leather/DINAMICA²

Mercedes-AMG SLC 43 (standard)³



711 black sports seats with red stitching and sports seat piping¹



751 black sports seats with red stitching, sports seat piping and extended nappa leather surfaces⁴



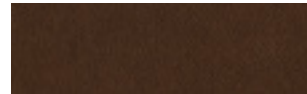
761 black sports seats with red stitching, sports seat piping and extended nappa leather surfaces⁵

Nappa leather

Optional



831 black



834 saddle brown



841 black sports seats⁶



865 platinum white



867 bengal red

Trim



736 high gloss black ash wood⁷



H73 designo AMG carbon fibre⁷



H74 dark carbon-grain aluminium⁴



H78 light carbon-grain aluminium

¹AMG Line only ²DINAMICA microfibre ³Optional on AMG Line ⁴Standard on Mercedes-AMG SLC 43 ⁵Mercedes-AMG SLC 43 only ⁶AMG Line and Mercedes-AMG SLC 43 ⁷Optional



Trim and upholstery combinations

	Sport	AMG Line		SLC 43 AMG	Sport and SLC 43 AMG			
	Cloth	Leather ¹		Nappa leather/ DINAMICA ^{3,4}	Nappa leather ⁶			
	black (001)	black (201)/[221] ²	sahara beige (205)	black (711) ² /[751/761] ⁵	black (831)/[841] ⁵	saddle brown (834)	platinum white (865)	bengal red (867)
Dashboard								
Steering wheel	black	black	black	black	black	black	black	black
Upper dashboard trim	black	black	black	black	black	black	black	black
Lower dashboard trim	black	black	sahara beige	black	black	black	black	black
Seats								
Seat cushion centre section	black	black	sahara beige	black	black	brown	platinum white	bengal red
Side bolster trim	black	black	sahara beige	black	black	brown	black	black
Head restraint	black	black	sahara beige	black	black	brown	black	black
Seat belt	black	black [red]	black	red	black	black	black	black
Contrast top-stitching	-	grey [red]	black	red	grey	grey	platinum white	red
Doors								
Door centre panel	black	black	black	black	black	black	black	black
Door trim at beltline	black	black	sahara beige	black	black	brown	platinum white	bengal red
Lower door trim	black	black	sahara beige	black	black	black	black	black
Roof lining	black	black	black	black	black	black	black	black
Floor covering								
Front and rear	black	black	black	black	black	black	black	black
Boot	black	black	black	black	black	black	black	black

¹Optional on Sport ²AMG Line only ³Microfibre ⁴Optional on AMG Line ⁵Mercedes-AMG SLC 43 only ⁶Optional on AMG Line and Mercedes-AMG SLC 43



> Keep me updated



> Find out more



> Find a Retailer



> View the Range Guide

Combination options

		Non-metallic paints Standard			Metallic paints Optional						designo paints Additional-cost option		
		040 black	149 polar white	590 fire opal	197 obsidian black	775 iridium silver	896 brilliant blue	963 indium grey	988 diamond silver	992 selenite grey	281 cerussite grey magno	799 diamond white metallic	996 hyacinth red metallic
Cloth¹	black	●	●	●	●	●	●	●	●	●	●	●	●
Leather	black	●	●	●	●	●	●	●	●	●	●	●	●
	sahara beige	●	○	●	●	○	○	●	●	●	●	○	●
	black with red stitching and piping	●	●	●	●	●	●	●	●	●	●	●	●
Nappa leather/DINAMICA microfibre	black with red stitching and piping	●	●	●	●	●	●	●	●	●	●	●	●
Nappa leather	black	●	●	●	●	●	●	●	●	●	●	●	●
	saddle brown	●	●	○	●	●	○	○	○	●	○	●	●
	black sports seats	●	●	●	●	●	●	●	●	●	●	●	●
	platinum white	●	●	●	●	●	○	●	●	●	●	○	●
	bengal red	●	●	△	●	●	△	●	●	●	△	●	●

● Recommended ○ Possible △ Not recommended Please note that, owing to limitations of on-screen representation, paint colours may differ from those shown



Technical data

Model	Diesel engine		Petrol engines		
	SLC 250 d	SLC 200	SLC 300	Mercedes-AMG SLC 43	
Engine					
Total displacement	cc	2,143	1,991	1,991	2,996
Arrangement/cylinders/valves		in-line/4/16	in-line/4/16	in-line/4/16	V/6/24
Fuel delivery		Common-rail diesel with twin turbocharger	Electronically controlled direct injection with turbocharger	Electronically controlled direct injection with turbocharger	Electronically controlled direct injection with twin turbocharger
Power ¹	hp (kW) at rpm	204 (150)/3,800	184 (135)/5,500	245 (180)/5,500	367 (270)/5,500–6,000
Torque ¹	Nm at rpm	500/1,600–1,800	300/1,200–4,000	370/1,300–4,000	520/2,000–4,200
Compression ratio		16.2:1	9.8:1	9.8:1	10.7:1
Transmission					
6-speed manual		–	●	–	–
9G-TRONIC 9-speed automatic		●	○	●	●
Tyre sizes					
Front		225/45 R 17	225/45 R 17	225/40 R 18	235/40 R 18
Rear		245/40 R 17	245/40 R 17	245/35 R 18	255/35 R 18

[Keep me updated](#)[Find out more](#)[Find a Retailer](#)[View the Range Guide](#)

Model	Diesel engine		Petrol engines			
	SLC 250 d		SLC 200	SLC 300	Mercedes-AMG SLC 43	
Performance		auto.	man.	auto.	auto.	
Acceleration 0–62 mph	sec	6.6	7.0	6.9	5.8	4.7
Top speed	mph	152	149	147	155	155
Weights and capacities		auto.	man.	auto.	auto.	auto.
Kerb weight ³	kg	1,605	1,455	1,480	1,505	1,595
Perm. Gross Vehicle Weight	kg	1,905	1,770	1,795	1,820	1,890
Boot capacity with roof closed		335	335	335	335	335
open	l	225	225	225	225	225
Fuel tank capacity/ of which reserve	l	60/8	60/8	60/8	60/8	70/9
Turning circle	m	10.52	10.52	10.52	10.52	10.52
Fuel consumption^{4,5}	mpg	auto.	man.	auto.	auto.	auto.
Urban		54.3	32.8	36.7	36.7	26.4
Extra-urban ⁶		72.4	54.3	57.7	57.7	45.6
Combined		70.6	43.5	47.9	47.1	36.2



Model	Diesel engine		Petrol engines		
	SLC 250 d		SLC 200	SLC 300	Mercedes-AMG SLC 43
CO₂ emissions⁵	g /km	auto.	man.	auto.	auto.
Emissions standard		EU6	EU6	EU6	EU6
17" alloy wheels		114	150	137	-
18" alloy wheels		114	150	137	138

Insurance

Group rating	tba	tba	tba	tba
--------------	-----	-----	-----	-----

Insurance ratings may vary depending on model line and specification. Please refer to <http://www.thatcham.org/abigrouprating/> for further details

¹Figures according to Directive 80/1269/EEC in the currently applicable version ²Electronically limited ³Figures according to Directive 92/21/EC, version 95/48/EC (kerb weight with fuel tank 90% full, driver, 68 kg, and luggage, 7kg) for standard-specification vehicles. Optional extras and accessories will generally increase this figure and reduce the payload capacity accordingly ⁴All figures are based on a standard specification with the smallest tyre size

⁵The choice of wheels and transmission may affect CO₂ emissions and corresponding Road Fund Licence ⁶EUUDC: extra-urban driving cycle. Testing procedures adhere to EU Directive 93/116

The figures on pages 48–51 are correct at time of publication. Please refer to the government website for latest data – <http://carfueldata.direct.gov.uk/>



> Keep me updated



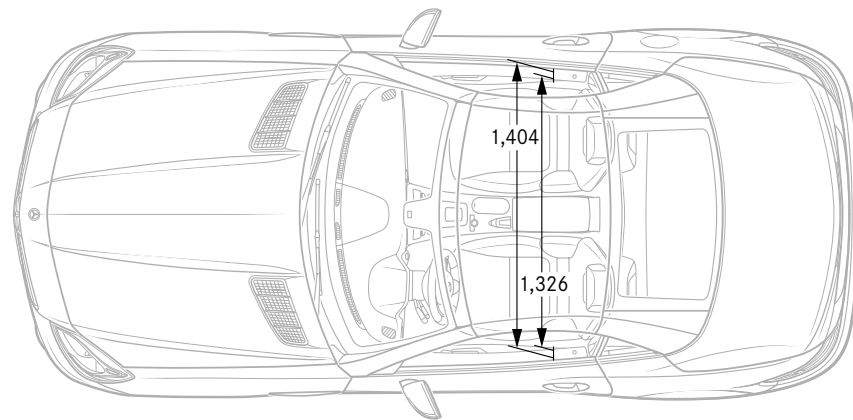
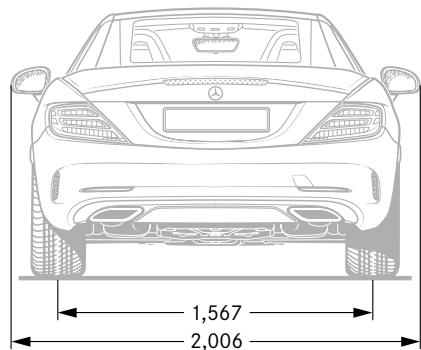
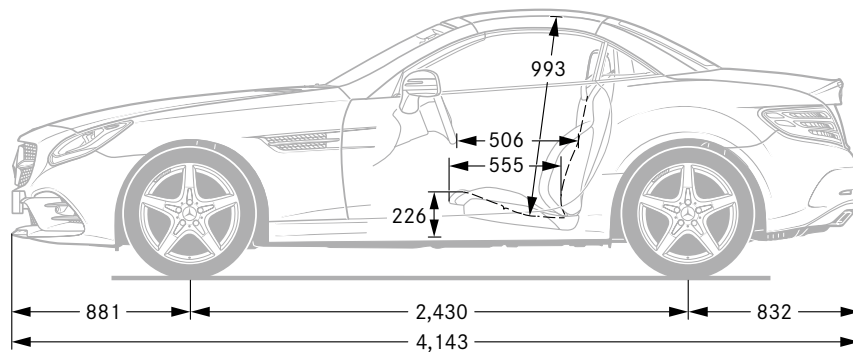
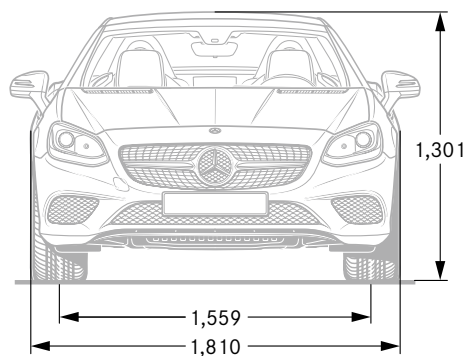
> Find out more



> Find a Retailer



> View the Range Guide



Road Fund Licence



All road vehicle registrations are subject to Vehicle Excise Duty (Road Fund Licence), which varies in accordance with the vehicle's CO₂ emissions. A first year rate of Vehicle Excise Duty applies to new cars on their first year of registration. For the second and subsequent years a standard rate for each taxation band will apply.¹ The table below shows the bands (A–M) created by the DVLA and the corresponding Road Fund Licence. CO₂ emissions are listed in the technical data on page 50 and the relevant Excise Duty is reflected in the on-the-road prices on page 11.

Band	CO ₂ emissions	First year rate (£)	Standard rate (£)
A	up to 100 g/km	0.00	0.00
B	101 to 110 g/km	0.00	20.00
C	111 to 120 g/km	0.00	30.00
D	121 to 130 g/km	0.00	110.00
E	131 to 140 g/km	130.00	130.00
F	141 to 150 g/km	145.00	145.00
G	151 to 165 g/km	185.00	185.00
H	166 to 175 g/km	300.00	210.00
I	176 to 185 g/km	355.00	230.00
J	186 to 200 g/km	500.00	270.00
K	201 to 225 g/km	650.00	295.00
L	226 to 255 g/km	885.00	500.00
M	over 255 g/km	1,120.00	515.00

¹For further information on vehicle taxation please refer to <https://carfueldata.direct.gov.uk/>



> Keep me updated



> Find out more



> Find a Retailer



> View the Range Guide

Services and insurance

Mercedes-Benz Service Care

We believe that servicing costs should be as flexible and affordable as possible for your SLC, which is why we offer Service Care, an easy way to budget for all your servicing costs. It spreads your bills into manageable payments based on whether you have a new or used Mercedes-Benz.

With Service Care we guarantee the price of parts and labour for up to four services and safeguard against further inflation. It also covers the cost of all recommended service items including brake fluid, spark plugs, air filters, fuel filters and screen wash.

You can choose either to add your servicing costs into your monthly spend or pay the full amount in a one-off payment, giving you peace of mind that they are taken care of for the period of the plan.

To receive a personalised Service Care plan recommendation visit the Service Care Calculator at servicecarerates.mercedes-benz.co.uk

Warranty and breakdown cover

Every Mercedes-Benz comes with a three-year unlimited mileage warranty against manufacturing or material defects¹ and up to 30 years warranty against perforation due to corrosion from the inside out.² What's more, it's also covered by Mercedes-Benz Roadside Assistance – a unique package comprising up to 30 years pan-European breakdown assistance.²

Insurance

Since our name is synonymous with reliability, who better to trust with your motor insurance? Mercedes-Benz Insurance provides a motor insurance policy specifically designed to give you the cover you would expect from Mercedes-Benz. For a motor insurance quotation, call **0345 600 2180**.*



> Keep me updated



> Find out more



> Find a Retailer



> View the Range Guide

The Mercedes that thinks and acts for you.

Imagine if...

...you could connect with your Mercedes-Benz?

With Mercedes me connect, you can; with Remote Online services¹ that include trip planning, maintenance management and vehicle tracking, plus more.

Getting connected is easy. Just set up your Mercedes me account and get in touch with your Mercedes-Benz Retailer to connect your vehicle to your profile to access your Mercedes me connect services.

...you knew beforehand that you need to stop for fuel?

Simply check the fuel level and mileage range from your phone wherever you are. You can also check tyre pressure and washer fluid level. (For electric cars, you can check battery charge state.)

...your Mercedes could tell you where it's parked?

You no longer need to ask yourself where you left your car; with Mercedes me connect you can locate your car from your smartphone or tablet within a mile radius.



1. PARKED VEHICLE LOCATOR
2. VEHICLE TRACKER

3. REMOTE RETRIEVAL OF VEHICLE STATUS
4. PRE-ENTRY CLIMATE CONTROL FOR ELECTRIC DRIVE AND PLUG-IN HYBRID



> Keep me updated



> Find out more



> Find a Retailer



> View the Range Guide

Mercedes me

55

...you could lock your Mercedes, even if you're miles away?

The uncertainty of whether you've forgotten to lock the car is only human. To make sure your Mercedes-Benz is safe and secure, you can simply lock the car remotely via your PC/Mac, tablet or smartphone.

...your Mercedes told you when your service is due?

Being connected means essential data is constantly sent to your Mercedes-Benz Retailer so they know when it is time for a service. Your Retailer can then contact you with a tailor-made service quote.

...your Retailer already knows which parts need replacing?

As surprising as this sounds, with teliagnostics your Retailer can recognise remotely if certain parts are due for replacement, contacting you to book an appointment and making sure the relevant parts are in stock when you arrive, getting you back on the road as quickly as possible.

...you could just push a button to deal with a breakdown?

Should your car break down, with a simple press of the button everything is taken care of – from breakdown assistance to vehicle recovery.

...your Mercedes called for help?

Your Mercedes comes with an SOS button. Press it if you need urgent help and you will be contacted by the emergency response centre.² In the event of an accident where airbags or seatbelt tensioners have been activated, a call is placed automatically. Your GPS position is sent to the response teams to initiate rescue efforts.³

The Mercedes that thinks and acts for you.

Contact your Retailer to get connected, or go to www.mercedes.me for more details.

¹This is available as an option in conjunction with Audio 20 CD, and standard with COMAND Online. Remote Online is standard with electric drive and plug-in hybrid. Use of the Remote Online equipment option is limited to three years from first registration of the vehicle and can then be extended at extra cost.

²A call is placed via the car's sim card, rather than the customer relying on their mobile phone.

³This feature is still available to customers without Mercedes me connect services. The customer is not required to accept the terms and conditions on the portal to activate this feature. For all other features the customer will have to accept terms and conditions on the portal to activate them.

Mercedes-Benz Finance

Why should you finance with Mercedes-Benz?

At Mercedes-Benz we believe a great driving experience should be matched by an equally great ownership experience. That is why we put just as much thought, time and effort into designing our finance options, our service plans and our insurance cover as we do into our vehicles.

We are not in the business of simply providing a loan to fund the purchase of your dream vehicle. We look on it as a journey that we take with you, from the moment you choose your new Mercedes-Benz, to helping you in choosing your next one.

If you would like to find out more about any of our current offers, simply call into your local Mercedes-Benz Retailer where one of our Business Managers will be more than happy to talk you through anything you need to know.

Helping you find the right solution.

You should find our finance packages are more convenient than a traditional personal loan because:

- Funds are immediately available – no waiting for cheques or loans to clear.
- There is no security required – either against your home or other assets.
- We have clear and transparent rates – the APR we quote is the APR you get.
- We have friendly Business Managers – experts in vehicle finance who can talk you through all of your plans in detail.

One of our most popular finance products is Mercedes-Benz Agility (our Personal Contract Purchase product). We also offer Contract Hire, Operating Lease and Hire Purchase solutions. If you would like to find out more about these speak to your Retailer or visit www.mercedes-benz.co.uk/fandi.

Mercedes-Benz Agility (our PCP product).

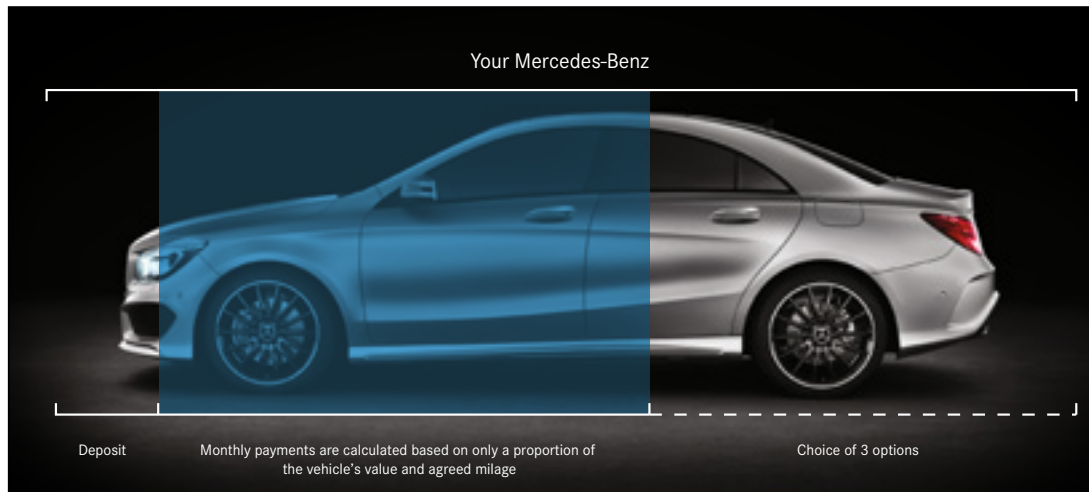
At the start of an Agility agreement, you put down a deposit and decide the term of your agreement and your annual mileage. You will be advised of the Guaranteed Future Value, which offers you the reassurance of knowing exactly what you will need to pay to own the vehicle outright in the future (this is known as the Optional Purchase Payment).

Throughout your agreement you simply pay your agreed monthly payments and when the agreement comes to an end you either purchase, hand back or part-exchange your vehicle.



Agility features:

- Fixed regular payments mean you can easily budget.
- Payments are based only on a proportion of the vehicle's value, keeping your monthly payments lower.
- Our Guaranteed Future Value avoids the risk of unplanned depreciation of your vehicle.
- You defer your ownership decision until the end of the agreement.



At the end of your agreement you have three options to choose from.

Option 1: Purchase your Mercedes-Benz.

Purchase your Mercedes-Benz by paying the Optional Purchase Payment and Purchase Activation Fee.¹ This will complete the purchase of your Mercedes-Benz, leaving you free to simply enjoy your vehicle.

Option 2: Hand back your Mercedes-Benz.

If you decide to return your vehicle to us, it must be in line with our Vehicle Return Standards,* as vehicle condition, excess mileage and other charges may be payable.

Option 3: Part-Exchange for a new vehicle.

Purchase your Mercedes-Benz by paying the Optional Purchase Payment and Purchase Activation Fee.¹ This will complete the purchase of your Mercedes-Benz, leaving you free to part-exchange for a new vehicle.

¹Please note the 'Purchase Activation Fee' of £10 will be debited from your account *To find out more information about our Vehicle Return Standards please visit <http://mercedes-benz.co.uk/vrs>



> Keep me updated



> Find out more



> Find a Retailer



> View the Range Guide

Follow us on the following social media channels:



<https://www.facebook.com/MercedesBenzUk>



<https://twitter.com/mercedesbenzUK>



<https://www.youtube.com/mercedesbenzUK>



<https://instagram.com/mercedesbenzUK>

Effective from 1 April 2016. Information correct at time of publication.

Prices and specifications are subject to change without prior notice.

MBR172PL/0416 MY 807 Production from 01.03.2016

Mercedes-Benz UK Ltd, Tongwell, Milton Keynes, MK15 8BA www.mercedes-benz.co.uk