



> View offers



Book a > test drive > AMG test drive



> Find a Retailer



> View the Range Guide

GLE



Effective from 11 July 2017 Production.

Mercedes-Benz





> View offers



Book a > test drive > AMG test drive



> Find a Retailer



> View the Range Guide

Contents

Model prices	11	Pricing summary for model and equipment lines	32	Genuine Accessories	51
Finance offers	12	Standard equipment	33	Colours and materials	55
Sport, AMG Line, designo Line and Mercedes-AMG GLE 43 4MATIC	16	Wheels	41	Technical data	60
Premium and Premium Plus equipment lines	24	Driving Assistance Plus package	43	Road Fund Licence	64
Mercedes-AMG GLE 63 S 4MATIC	26	Night package	44	Services and insurance	65
Premium equipment line for Mercedes-AMG GLE 63 S 4MATIC	28	Dynamic package	45	Mercedes me	66
Mercedes-AMG driver training	30	Off-Road package	46	Mercedes-Benz Finance	68
		Optional equipment	47	Chargemaster Homecharge	70



> View offers



Book a > test drive > AMG test drive



> Find a Retailer



> View the Range Guide

The hard facts to melt your heart

At Mercedes-Benz we appreciate the importance of detail. Over the following pages you'll find model prices and a breakdown of standard and optional equipment, as well as details of the comprehensive services and benefits that are available to every Mercedes-Benz driver.

See Mercedes-Benz in a new light. Now is the time to get yourself behind the wheel of a GLE. Choose from a number of attractive finance offers. Please see pages 12–15 for further details, or visit www.mercedes-benz.co.uk/offers

Of course, some things have to be experienced to be truly appreciated, such as the qualities that set a Mercedes-Benz apart. Which is why we'd like to invite you for a test drive at your local Mercedes-Benz Retailer. Alternatively, you can make arrangements by visiting www.mercedes-benz.co.uk/testdrive

For more information visit www.mercedes-benz.co.uk or call 0333 222 0500.



> View offers



Book a > test drive > AMG test drive



> Find a Retailer



> View the Range Guide



Some of the model features, optional extras and colours shown may not be available, or may only be available in a different specification.



> View offers



Book a > test drive > AMG test drive



> Find a Retailer



> View the Range Guide



Some of the model features, optional extras and colours shown may not be available, or may only be available in a different specification.



> View offers



Book a > test drive > AMG test drive



> Find a Retailer



> View the Range Guide



Some of the model features, optional extras and colours shown may not be available, or may only be available in a different specification.



> View offers



Book a > test drive > AMG test drive



> Find a Retailer



> View the Range Guide



Some of the model features, optional extras and colours shown may not be available, or may only be available in a different specification.



> View offers



Book a > test drive > AMG test drive



> Find a Retailer



> View the Range Guide



Some of the model features, optional extras and colours shown may not be available, or may only be available in a different specification.



> View offers



Book a > test drive > AMG test drive



> Find a Retailer



> View the Range Guide



Some of the model features, optional extras and colours shown may not be available, or may only be available in a different specification.



> View offers



Book a > test drive > AMG test drive



> Find a Retailer



> View the Range Guide



Some of the model features, optional extras and colours shown may not be available, or may only be available in a different specification.



Model prices

Engine	Model line	Transmission	CO ₂	Basic RRP excl. VAT (£)	Total RRP incl. VAT (£)	Road Fund Licence (£) ¹	Rec. OTR price (£) ²	P11D value (£)	BiK tax rate 2017/18 (%)
GLE 250 d 4MATIC Diesel – 2,143 cc, 4-cylinder, 204 hp/150 kW	Sport	9G-TRONIC 9-speed automatic	155	41,729.17	50,075.00	500.00	51,290.00	50,735.00	33
	AMG Line	9G-TRONIC 9-speed automatic	156	43,729.17	52,475.00	500.00	53,690.00	53,135.00	33
GLE 350 d 4MATIC Diesel – 2,987 cc, 6-cylinder, 258 hp/190 kW	AMG Line	9G-TRONIC 9-speed automatic	179	47,420.83	56,905.00	800.00	58,420.00	57,565.00	37
	designo Line	9G-TRONIC 9-speed automatic	179	55,166.67	66,200.00	800.00	67,715.00	66,860.00	37
GLE 500 e 4MATIC Petrol – 2,996 cc, 6-cylinder, 333 hp/245 kW Electric motor – 116 hp/85 kW	AMG Line	7G-TRONIC PLUS 7-speed automatic	84	54,891.67	65,870.00	90.00	66,675.00	66,530.00	17
	designo Line	7G-TRONIC PLUS 7-speed automatic	84	62,637.50	75,165.00	90.00	75,970.00	75,825.00	17
Mercedes-AMG									
Mercedes-AMG GLE 43 4MATIC Petrol – 2,996 cc, 6-cylinder, 390 hp/287 kW	-	9G-TRONIC 9-speed automatic	205	49,145.83	58,975.00	1,200.00	60,890.00	59,635.00	37
	designo Line	9G-TRONIC 9-speed automatic	205	56,891.67	68,270.00	1,200.00	70,185.00	68,930.00	37
Mercedes-AMG GLE 63 S 4MATIC Petrol – 5,461 cc, 8-cylinder, 585 hp/430 kW	-	AMG SPEEDSHIFT PLUS 7G-TRONIC 7-speed automatic	276	78,566.67	94,280.00	2,000.00	96,995.00	94,940.00	37

¹A different first year rate of Vehicle Excise Duty (Road Fund Licence) applies for new cars. Please refer to page 64 for the relevant rate for the second and subsequent years

²The recommended on-the-road price includes the Road Fund Licence applicable to the standard model plus delivery charge (£635.00 incl. VAT), new vehicle registration fee (£55.00) and number plates (£25.00 incl. VAT). VAT is calculated at the standard rate of 20%



> View offers



Book a > test drive > AMG test drive



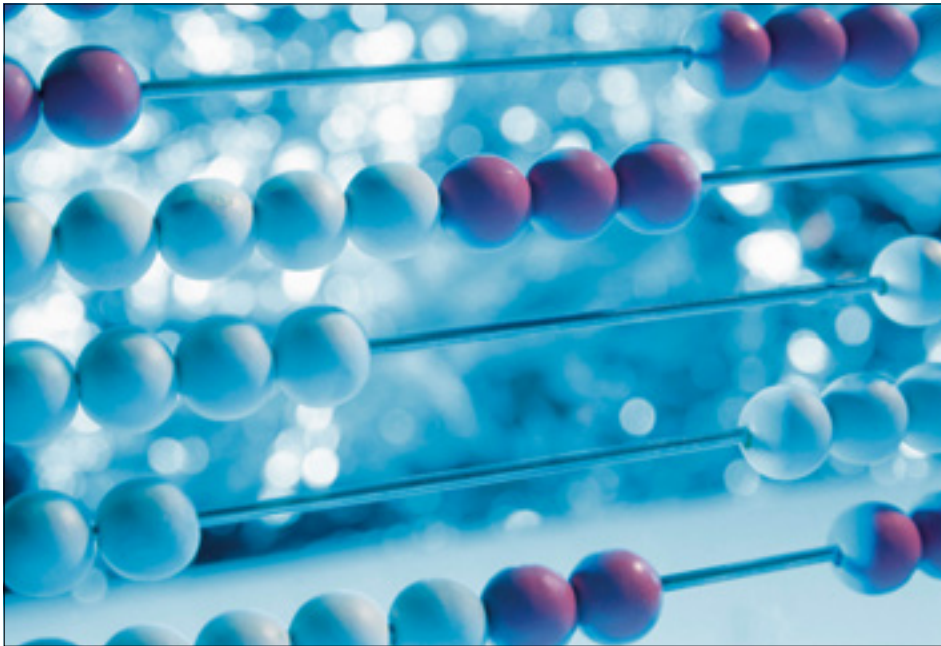
> Find a Retailer



> View the Range Guide

Mercedes-Benz Finance

Where the clever money goes



GLE 250 d 4MATIC AMG Line (representative example)

Based on 10,000 miles per annum

36 monthly payments of ¹	£499.00
Customer deposit	£8,499.00
On-the-road price	£53,690.00
Retailer deposit contribution	£7,062.35
Optional purchase payment ²	£24,700.00
Amount of credit	£38,128.65
Duration of agreement	36 months
Total amount payable ³	£58,235.35
Purchase activation fee ²	£10.00
APR	4.9%
Fixed interest rate	4.76%
Excess mileage	20.4p per mile



Example offers – 4.9% APR Representative

	Automatic	Metallic	On-the-road price	Retailer deposit contribution	Customer deposit	36 monthly payments of ¹
GLE 250 d 4MATIC Sport	●	●	£51,290.00	£6,549.82	£7,999.00	£499.00
GLE 350 d 4MATIC AMG Line	●	●	£58,420.00	£7,240.76	£7,999.00	£589.00

● Standard equipment

Mercedes-Benz Service Care

- Mercedes-Benz trained Technicians
- Maintained by Mercedes-Benz Retailers
- Meets requirements of Mercedes-Benz Agility finance agreement

Mercedes-Benz Motor Insurance

- 24/7 UK accident recovery
- We use Mercedes-Benz GenuineParts
- To qualify for up to 10% discount online, go to www.mercedes-benz.co.uk/motorinsurance
- Alternatively, call Mercedes-Benz Motor Insurance now on **0345 600 2180⁴** for an annual quote

We may decline to quote in some circumstances. Mercedes-Benz Motor Insurance is underwritten by Aviva Insurance Limited

Content relating to finance is promoted by Mercedes-Benz Finance. Your Retailer may offer finance on behalf of other companies.

Orders/credit approvals on selected GLE models only, between 1 July and 30 September 2017, registered by 31 December 2017; excluding Mercedes-AMG models. Some combinations of features/options may not be available. Please contact your local Mercedes-Benz Retailer for availability

¹Based on a Mercedes-Benz Agility agreement. Vehicle condition, excess mileage and other charges may be payable. Quotations available on request for alternative contract lengths and mileages. Guarantees may be required.

Credit provided, subject to status, by Mercedes-Benz Finance, MK15 8BA

²Payable if you exercise the option to purchase the car

³Includes optional purchase payment, purchase activation fee and Retailer deposit contribution (where applicable)

⁴Calls are charged at local rate and may be recorded



> View offers



Book a > test drive > AMG test drive



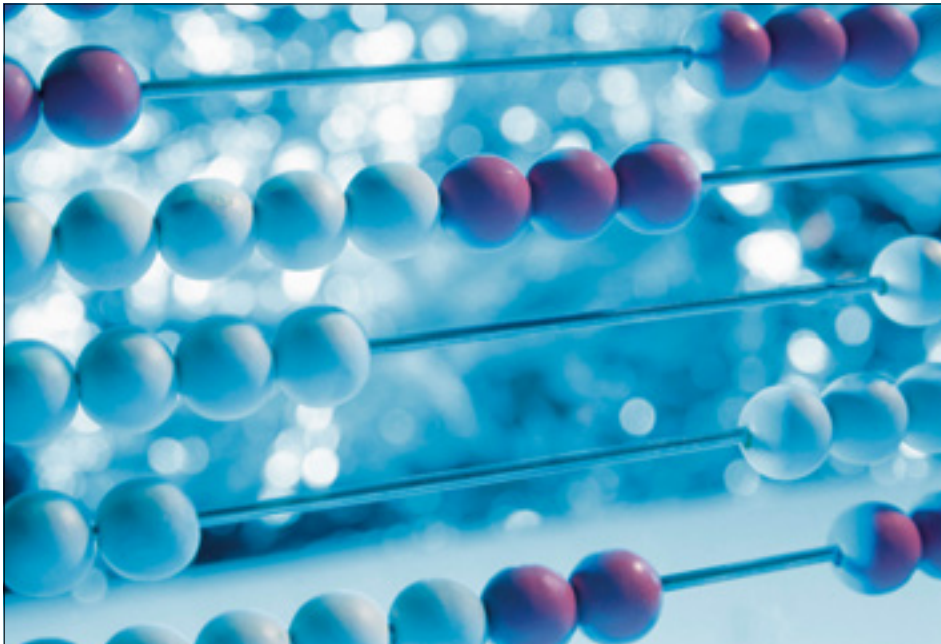
> Find a Retailer



> View the Range Guide

Mercedes-Benz Finance

Even the finance offer is beautifully put together



Mercedes-AMG GLE43 4MATIC (representative example)

Based on 10,000 miles per annum

36 monthly payments of ¹	£842.19
Customer deposit	£8,999.00
On-the-road price	£60,890.00
Optional purchase payment ²	£28,175.00
Amount of credit	£51,891.00
Duration of agreement	36 months
Total amount payable ³	£67,502.84
Purchase activation fee ²	£10.00
APR	5.6%
Fixed interest rate	5.41%
Excess mileage	20.4p per mile



Example offers – 4.9% APR Representative

	Automatic	Metallic	On-the-road price	Retailer deposit contribution	Customer deposit	36 monthly payments of ¹
Mercedes-AMG GLE 63 S 4MATIC	●	●	£96,995.00	£14,500.00	£11,999.00	£1,065.49

● Standard equipment

Mercedes-Benz Service Care

- Mercedes-Benz trained Technicians
- Maintained by Mercedes-Benz Retailers
- Meets requirements of Mercedes-Benz Agility finance agreement

Mercedes-Benz Motor Insurance

- 24/7 UK accident recovery
- We use Mercedes-Benz GenuineParts
- To qualify for up to 10% discount online, go to www.mercedes-benz.co.uk/motorinsurance
- Alternatively, call Mercedes-Benz Motor Insurance now on **0345 600 2180⁴** for an annual quote

We may decline to quote in some circumstances. Mercedes-Benz Motor Insurance is underwritten by Aviva Insurance Limited

Content relating to finance is promoted by Mercedes-Benz Finance. Your Retailer may offer finance on behalf of other companies.

Orders/credit approvals on selected Mercedes-AMG GLE43 and GLE 63 S 4MATIC models only, between 1 July and 30 September 2017, registered by 31 December 2017; excluding non-Mercedes-AMG models. Some combinations of features/options may not be available. Please contact your local Mercedes-Benz Retailer for availability

¹Based on a Mercedes-Benz Agility agreement. Vehicle condition, excess mileage and other charges may be payable. Quotations available on request for alternative contract lengths and mileages. Guarantees may be required.

Credit provided, subject to status, by Mercedes-Benz Finance, MK15 8BA

²Payable if you exercise the option to purchase the car

³Includes optional purchase payment, purchase activation fee and Retailer deposit contribution (where applicable)

⁴Calls are charged at local rate and may be recorded



> View offers



Book a > test drive > AMG test drive

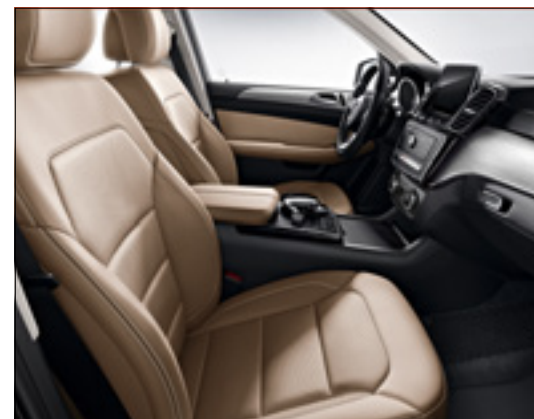


> Find a Retailer



> View the Range Guide

GLE Sport





When we say the new GLE Sport is prepared for anything, that's because this SUV is a true multi-talent – celebrated for efficiency, performance and its incredible range of equipment. The GLE Sport comes with its own distinctive features starting with 19" alloy wheels with 5-twin-spoke design in himalaya grey. The interior stands out with ARTICO leather¹ upholstery and brushed light aluminium trim. From your leather-clad 3-spoke multifunction

steering wheel, you can operate the 9G-TRONIC 9-speed automatic transmission via the handy gearshift paddles. You'll also enjoy DYNAMIC SELECT with a choice of driving modes to suit your driving style. And when you return from a journey off the beaten track, the interior matching velour mats offer protection against any mud or dirt.

Exterior

- 19" 5-twin-spoke alloy wheels in himalaya grey with 255/50 tyres
- Mirror package – including projection of Mercedes-Benz logo integrated into both mirrors
- Active Parking Assist with PARKTRONIC and reversing camera
- Adaptive Highbeam Assist Plus
- DYNAMIC SELECT with a choice of driving modes
- EASY-PACK powered tailgate
- Headlamps – LED Intelligent Light System
- Privacy glass

Interior

- COMAND Online system² with multi-touch control touchpad, 8-inch display and Remote Online
- DAB digital radio tuner
- Front seats – heated
- KEYLESS-GO starting function
- THERMATIC – automatic climate control

Trim and Upholstery

Brushed light aluminium



ARTICO leather¹ - black



ARTICO leather¹ - espresso brown



ARTICO leather¹ - ginger beige/espresso brown



¹Man-made leather with perforations in seat centre panel ²COMAND Online functionality and Wi-Fi connectivity is dependent on a compatible cellular data connection. Please check with your local Mercedes-Benz Retailer on network compatibility



> View offers



Book a > test drive > AMG test drive



> Find a Retailer



> View the Range Guide

GLE AMG Line





More dynamic, more assertive, more premium SUV – the GLE AMG Line has all the credentials you’d expect. The obligatory AMG bodystyling and AMG sports exhaust system is paired with 5-twin-spoke 20" AMG alloy wheels in titanium grey and a sports brake system with perforated front brake discs. Inside, you’ll find ARTICO leather¹ and a brushed light aluminium trim. The 3-spoke AMG sports steering wheel features black nappa leather with a flat-bottomed rim. It also has gearshift paddles to control the 9G-TRONIC 9-speed automatic transmission on the GLE 250 d and 350 d.

The GLE 500e comes with 7G-TRONIC PLUS 7-speed automatic transmission. To complement the sporty feel, there are sports pedals in brushed stainless steel with rubber studs and AMG velour floor mats with AMG lettering and edging. The GLE 500e also comes with Mercedes connect me services for all-round connectivity.

Upgrade price (from Sport)**Total incl. VAT² £2,400.00****Exterior**

20" AMG 5-twin-spoke alloy wheels with 265/45 tyres

AIRMATIC air suspension with Adaptive Damping System³

AMG bodystyling, comprising AMG-specific front and rear apron with side sill panels painted in the vehicle colour

Interior

3-spoke AMG sports steering wheel in black nappa leather with flattened bottom rim

Ambient lighting with a choice of three colours: neutral (white), solar (amber), polar (ice blue)

AMG floor mats with 'AMG' lettering

Brushed stainless-steel sports pedals with rubber studs

Front seats – heated sport seats in ARTICO leather¹

Instrument cluster featuring distinctive dials in chequered flag design

Sports brake system with perforated front brake discs and brake caliper trim with 'Mercedes-Benz' lettering

Trim and Upholstery

Brushed light aluminium

ARTICO leather¹ – black¹Man-made leather ²Recommended Retail Price ³Optional on GLE250d; standard with all other engines



> View offers



Book a > test drive > AMG test drive



> Find a Retailer



> View the Range Guide

GLE designo Line



Showing optional designo black piano lacquer



The designo Line adds a range of exclusive features to the GLE while retaining the AMG Line's distinctive exterior styling. The exterior sports a panoramic electric sunroof, while Active Parking Assist with PARKTRONIC and a 360° camera aids scratch-free parking. The interior stands out with its very own designo Interior package. It includes designo Exclusive nappa leather porcelain/black upholstery, and black high-gloss poplar wood trim, as well as a roof lining in black DINAMICA microfibre. All the seats can be heated,

and the multi-contour front seats with massage function are climatized for all-year comfort. The interior air ionisation with air filter adds to your sense of well-being on board this unique GLE.

Upgrade price (from AMG Line or Mercedes-AMG GLE43 4MATIC)

Total incl. VAT¹ £9,295.00

Exterior

Active Parking Assist with PARKTRONIC and 360° camera

Closing aid for doors and boot lid

Panoramic electric sunroof with interior sun blind

Running boards with rubber studs

Interior

designo Interior package

KEYLESS-GO Comfort package

Memory package – including driver's seat, front passenger seat, steering column and exterior mirrors, all electrically adjustable with memory

Cup holder – temperature-controlled, for driver and front passenger

Front seats – climatized

Front seats – multi-contour seats with massage function

Heated multifunction steering wheel

Interior air ionisation with air filter

Rear seats – heated

Surround sound system – Harman Kardon® Logic 7® with Dolby Digital 5.1 and DTS

THERMOTRONIC – luxury automatic climate control

Trim and Upholstery

Black high-gloss poplar wood



designo Exclusive nappa leather – espresso brown



designo Exclusive nappa leather – porcelain/black



¹Recommended Retail Price



> View offers



Book a > test drive > AMG test drive



> Find a Retailer



> View the Range Guide

Mercedes-AMG GLE 43 4MATIC





Sporty, distinctive, powerful – it’s written all over the new Mercedes-AMG GLE 43 4MATIC. This bold V6-model asserts itself with 20" AMG 5-twin-spoke alloy wheels, AMG bodystyling and the eye-catching Night package. This includes a louvre in the radiator grille, exterior mirrors and beltline trim strips in high-gloss black. To match its powerful performance, the Mercedes-AMG GLE 43 4MATIC features a large-sized braking system including internally ventilated discs and AIRMATIC air suspension with Adaptive Damping System.

A black apron features at the rear, while the sports exhaust system with AMG twin tailpipes emits a mighty engine sound and characteristic backfiring noise. Inside, the dynamic performer boasts a 3-spoke AMG sports steering wheel in black nappa leather to match the black ARTICO leather¹ seats, as well as brushed light aluminium trim. The instrument panel comes in a distinctive chequered flag design, while brushed stainless steel sports pedals are also standard.

Exterior

Night package – including a high-gloss black louvre in the radiator grille, high-gloss black exterior mirrors, beltline trim strips, roof rails and weatherstrip

20" AMG 5-twin-spoke alloy wheels painted in high-gloss black

AIRMATIC air suspension with Adaptive Damping System

'AMG' badge on front wings

AMG bodystyling comprising specific Mercedes-AMG 43 model front and rear aprons

AMG-specific 4MATIC all-wheel drive

AMG sports exhausts with twin tailpipes in black

DYNAMIC SELECT with a choice of driving modes including 'Sport+'

Exhaust system with sporty engine including backfiring noise

Large braking system with internally ventilated brake discs

Suspension based on Mercedes-AMG model

Interior

3-spoke AMG sports steering wheel in black nappa leather with flattened bottom rim

AMG floor mats with 'AMG' lettering

Brushed stainless steel sports pedals with rubber studs

Instrument cluster featuring distinctive dials in chequered flag design

Trim and Upholstery

Brushed light aluminium



ARTICO leather¹ – black



¹Man-made leather



> View offers



Book a > test drive > AMG test drive



> Find a Retailer



> View the Range Guide

Premium and Premium Plus equipment lines

for Sport, AMG Line and Mercedes-AMG GLE 43 4MATIC



Active Parking Assist with PARKTRONIC and 360° camera



Memory package



Panoramic electric sunroof



Running boards with rubber studs



Harman Kardon® Logic 7® surround sound system



KEYLESS-GO Comfort package

[View offers](#)[Book a test drive](#) > [AMG test drive](#)[Find a Retailer](#)[View the Range Guide](#)**Equipment lines** | Premium and Premium Plus for Sport, AMG Line and Mercedes-AMG GLE43 4MATIC

25

Once you've made your choice between the Sport, AMG Line or the Mercedes-AMG GLE 43 4MATIC, the GLE has yet more to offer. The Premium and Premium Plus equipment lines come with a range of features to enhance comfort and convenience.

Premium and Premium Plus equipment lines – includes all Sport, AMG Line and Mercedes-AMG GLE 43 4MATIC equipment plus additional items as listed below.

Premium**Total incl. VAT £2,395.00****Premium Plus****£3,695.00**

Item	Notes	Premium £2,395.00 ¹ (code DPO)	Premium Plus £3,695.00 ¹ (code DP1)
Parking Pilot and 360° camera	Parking Pilot makes finding a parking space easier, as well as entering or leaving parallel or on-end parking spaces. The 360° camera enables parking and manoeuvring with a realistic all-round view thanks to the interaction of four networked cameras	■	■
Memory package	Driver's seat, passenger seat, steering column and exterior mirrors – electrically adjustable with memory	■	■
Panoramic electric sunroof	Consisting of a fixed panoramic glass rear section and an electrically operated sliding glass front section, allowing additional light and ventilation into the vehicle	■	■
Running boards with rubber studs	Aluminium-look running boards mounted on the side at the height of the side skirts. Slip-resistant rubber studs ensure a firm foothold. Easier to get into both front and rear	■	■
Surround sound system – Harman Kardon® Logic 7® with Dolby Digital 5.1 and DTS	Powerful multi-channel DSP amplifier with up to 830 watts as well as 14 high-performance speakers for precision dynamics and excellent sound balance	–	■
KEYLESS-GO Comfort package	The vehicle can be conveniently unlocked, started and locked – simply by carrying the electronic key	–	■

■ Included – Not included ¹Including VAT



> View offers



Book a > test drive > AMG test drive



> Find a Retailer



> View the Range Guide

Mercedes-AMG GLE 63 S 4MATIC





Apart from the 'V8 BITURBO' lettering on the front wings, you can't miss the 21" AMG alloy wheels on the GLE 63 S 4MATIC. The front apron features an A-wing in high-gloss black, a front splitter painted in the vehicle colour, silver chrome inserts and large cooling air intakes. For the most rewarding dynamic drive, there's the AMG sports suspension with Adaptive Damping System and the ACTIVE CURVE SYSTEM which enhances ride comfort,

agility and safety. The interior is brimming with luxurious AMG touches, starting with AMG Exclusive nappa leather upholstery in black and alpaca grey top-stitching on the AMG sports seats, as well as headrests embossed with the AMG emblem. As you'd expect, there's also an AMG performance steering wheel. Plus, the 4.4-inch AMG instrument cluster lights up in red.

Exterior

Mirror package – including projection of Mercedes-Benz logo integrated into both mirrors

Active Parking Assist with PARKTRONIC and reversing camera

AMG high-performance braking system with red brake calipers

AMG sports exhaust system with two chrome-plated twin tailpipes

AMG sports suspension based on AIRMATIC with ACTIVE CURVE SYSTEM – features advanced adjustable damping and roll compensation

DYNAMIC SELECT with a choice of driving modes

Panoramic electric sunroof with interior sun blind

S-Model AMG front and rear aprons

Interior

Memory package

AMG floor mats with 'AMG' lettering

AMG instrument cluster

AMG performance steering wheel

Surround sound system – Harman Kardon® Logic 7® with Dolby Digital 5.1 and DTS

Trim and Upholstery

Brushed light aluminium



AMG Exclusive nappa leather – black with grey stitching



AMG Exclusive nappa leather – espresso brown/black



AMG Exclusive nappa leather – porcelain/black





> View offers



Book a > test drive > AMG test drive



> Find a Retailer



> View the Range Guide

Premium equipment line for Mercedes-AMG GLE 63 S 4MATIC



Active Parking Assist with PARKTRONIC and 360° camera



Front seats - climatized



Front seats - multi-contour with massage function



Interior air ionisation with air filter



KEYLESS-GO Comfort package



Running boards with rubber studs

[View offers](#)[Book a test drive](#) > [AMG test drive](#)[Find a Retailer](#)[View the Range Guide](#)

If you want to increase the comfort of your Mercedes-AMG GLE, why not opt for the Premium equipment line? It features interior air ionisation with air filter, climatised seats and multi-contour seats with massage function for the front, KEYLESS-GO Comfort package and many more attractive items.

Premium equipment line – designed and priced as a package, including items as listed below.

Mercedes-AMG GLE 63 S 4MATIC

Total incl. VAT £2,995.00

Item	Notes	Premium £2,995.00 ¹ (code DPO)
Parking Pilot and 360° camera	Parking Pilot makes finding a parking space as well as parking in and leaving parallel or on-end parking spaces easier. The 360° camera enables parking and manoeuvring with a realistic all-round view thanks to the interaction of four networked cameras	■
Closing aid for doors and boot lid	When initially engaged, doors and boot lid are automatically closed by servomotors, ensuring smooth and virtually silent closing	■
Front seats – climatised	The active ventilation function of the climate-controlled seats rapidly cools the seat surfaces to a pleasant temperature to ensure well-balanced seating comfort. In cold weather conditions, the on-demand seat heating provides cosy warmth as required	■
Front seats – multi-contour with massage function	Driver and front passenger can use various air chambers to individually adjust their seats to suit their personal physique – from seat cushion depth via the side bolsters to the position and curvature of the backrest. The massage function with seven zones and two selectable intensity settings helps to avoid muscle tension	■
Interior air ionisation with air filter	This system helps to significantly improve the quality of the air in the vehicle interior. Ionisation has a refreshing effect and can contribute to an enhanced sense of well-being. The filter system has two fine-particle activated charcoal filters for a particularly comprehensive reduction of harmful substances and odours	■
KEYLESS-GO Comfort package	The vehicle can be conveniently unlocked, started and locked with this system – simply by carrying the electronic key	■
Running boards with rubber studs	Aluminium-look running boards mounted on the side at the height of the side skirts. Slip-resistant rubber studs ensure a firm foothold. Easier to get into the front and rear	■



> View offers



Book a > test drive > AMG test drive



> Find a Retailer



> View the Range Guide

Exclusive driver training for Mercedes-AMG GLE 63 S owners

All Mercedes-AMG GLE 63 S 4MATIC customers are invited to a complimentary AMG Driving Academy Training experience at Mercedes-Benz World.



With friendly one-to-one tuition from a professional Mercedes-AMG driver, your training will be personalised to you. You'll push Mercedes-AMG driving performance and your driving skills to the limits on our track and purpose-built low friction dynamic handling facilities.

Through high-speed and adrenaline-fuelled exercises you'll experience oversteer, understeer, slaloms and many more performance driving skills. Designed as part of your ownership experience, this will lay the foundations to master a high-performance vehicle, develop driving skills with maximum enjoyment and prepare you to take full command of your own Mercedes-AMG.

TERMS AND CONDITIONS

The following only are eligible: the first purchaser/registered keeper of a newly-registered Mercedes-AMG GLE 63 S 4MATIC; the second owner/registered keeper of a Mercedes-AMG purchased from a Mercedes-Benz Retailer, where the vehicle is less than 90 days from registration. The AMG Driving Academy Training experience is the AMG-PERFORMANCE Training detailed in the further information above and must be booked and taken within six months of delivery of your Mercedes-AMG GLE 63 S 4MATIC; it cannot be exchanged and cannot be transferred for any other driving experience. The Training experience is available Monday to Friday only and is subject to availability. Mercedes-Benz UK Limited reserves the right to amend or withdraw this Training experience. Attendees must hold a full UK driving licence. Attendees will be required to sign the Mercedes-Benz World Driving Risk Acknowledgement prior to undertaking the Training experience. The Training experience is also subject to the Mercedes-Benz World Terms and Conditions, as applicable.



> View offers



Book a > test drive > AMG test drive



> Find a Retailer



> View the Range Guide





Pricing summary for model and equipment lines

Model	Transmission	Recommended OTR price (£) ¹		
		Sport	Sport Premium	Sport Premium Plus
GLE 250 d 4MATIC	9G-TRONIC 9-speed automatic	51,290.00	53,685.00	54,985.00
		AMG Line	AMG Line Premium	AMG Line Premium Plus
GLE 250 d 4MATIC	9G-TRONIC 9-speed automatic	53,690.00	56,085.00	57,385.00
GLE 350 d 4MATIC	9G-TRONIC 9-speed automatic	58,420.00	60,815.00	62,115.00
GLE 500 e 4MATIC	7G-TRONIC PLUS 7-speed automatic	66,675.00	69,070.00	70,370.00
		Mercedes-AMG GLE 43	Mercedes-AMG GLE 43 Premium	Mercedes-AMG GLE 43 Premium Plus
Mercedes-AMG GLE 43 4MATIC	9G-TRONIC 9-speed automatic	60,890.00	63,285.00	64,585.00
		Mercedes-AMG	Mercedes-AMG Premium	Mercedes-AMG Premium Plus
Mercedes-AMG GLE 63 S 4MATIC	AMG SPEEDSHIFT PLUS 7G-TRONIC PLUS	96,995.00	99,990.00	-

¹The recommended on-the-road price includes the Road Fund Licence applicable to the standard model plus delivery charge (£635.00 incl. VAT), new vehicle registration fee (£55.00) and number plates (£25.00 incl. VAT). VAT is calculated at the standard rate of 20%



> View offers



Book a > test drive > AMG test drive



> Find a Retailer



> View the Range Guide

Standard equipment



Touchpad



Active Parking Assist with PARKTRONIC and reversing camera



EASY-PACK powered tailgate



Headlamps - LED Intelligent Light System



Projection of Mercedes-Benz logo, part of the Mirror package



KEYLESS-GO starting function



Item	Sport	AMG Line	designo Line	Mercedes-AMG GLE 43	Mercedes-AMG GLE 63 S
Transmission and Suspension					
AMG SPEEDSHIFT PLUS 7G-TRONIC 7-speed automatic transmission with steering column gear selector, DIRECT SELECT steering wheel gearshift paddles, cruise control and speed limiter	-	-	-	-	●
7G-TRONIC PLUS 7-speed automatic transmission with steering column gear selector, DIRECT SELECT steering wheel gearshift paddles, cruise control and speed limiter 500 e only	-	●	●	-	-
9G-TRONIC 9-speed automatic transmission with steering column gear selector, DIRECT SELECT steering wheel gearshift paddles and SPEEDTRONIC cruise control GLE 250 d, GLE 350 d and Mercedes-AMG GLE 43	●	●	●	●	-
ACTIVE CURVE SYSTEM Enhances ride comfort, agility and safety at high speed, when cornering and when driving off-road	-	○	○	○	●
AIRMATIC air suspension with Adaptive Damping System GLE 350 d, GLE 500 e, Mercedes-AMG GLE 43 and Mercedes-AMG GLE 63 S	●	●	●	●	●
AMG sports suspension – improves driving dynamics as well as ride comfort in both on- and off-road conditions. AMG spring struts and shock absorbers ensure even less body roll and outstanding turn-in properties	-	-	-	-	●
DYNAMIC SELECT with a choice of driving modes: ‘Comfort’, ‘Sport’, ‘Slippery’, ‘Offroad’ and ‘Individual’	●	●	●	-	-
DYNAMIC SELECT with a choice of driving modes: ‘Comfort’, ‘Sport’, ‘Sport+’, ‘Slippery’ and ‘Individual’	-	-	-	●	●
ECO start/stop function	●	●	●	●	●

Item	Sport	AMG Line	designo Line	Mercedes-AMG GLE 43	Mercedes-AMG GLE 63 S
Permanent four-wheel drive	●	●	●	●	●
Steel suspension – lowered GLE 250 d	●	●	-	-	-
Steering					
3-spoke AMG Performance steering wheel in black nappa leather/ DINAMICA microfibre	-	-	-	-	●
3-spoke AMG sports steering wheel in black nappa leather with flattened bottom rim	-	●	-	●	-
3-spoke heated multifunction steering wheel	-	-	●	-	-
3-spoke multifunction steering wheel in nappa leather	●	-	-	-	-
AMG speed-sensitive sports steering	-	-	-	-	●
Direct-Steer system with speed-sensitive power assistance	●	●	●	●	-
Steering column – manually adjustable for height and reach	●	●	-	●	-
Exterior					
Mirror package Including heated exterior mirrors, automatically dimming rear view mirror and exterior mirror on driver’s side, electrically folding exterior mirrors left and right and projection of Mercedes-Benz logo integrated into both mirrors	●	●	●	●	●



Standard equipment

35

Item	Sport	AMG Line	designo Line	Mercedes-AMG GLE 43	Mercedes-AMG GLE 63 S
Exterior (continued)					
Parking Pilot with 360° camera The Parking Pilot makes finding a parking space as well as parking in and leaving parallel or on-end parking spaces easier. The 360° camera enables parking and manoeuvring with a realistic all-round view thanks to the interaction of four networked cameras	-	△	●	△	△
Parking Pilot and reversing camera Parking Pilot monitors the front and rear end while the driver is manoeuvring the vehicle and gives a warning if the risk of a collision is detected. Active Parking Assist makes it easier to find a parking space and also automatically steers the vehicle into parking spaces	●	●	-	●	●
Adaptive Highbeam Assist Plus	●	●	●	●	●
AMG bodystyling – front and rear bumpers, side skirts	-	●	●	-	-
AMG bodystyling comprising specific Mercedes-AMG GLE 43 4MATIC model front and rear aprons	-	-	-	●	-
AMG bodystyling with exclusive GLE 63 S front and rear aprons	-	-	-	-	●
AMG door sill panels in brushed stainless steel with 'AMG' lettering	-	-	-	-	●
AMG sports exhaust system with two chromed twin tailpipes	-	-	-	-	●
AMG high-performance braking system with red brake calipers Delivers excellent stopping power plus precision brake control with internally ventilated and perforated brake discs all round	-	-	-	-	●
Charging cable for household socket (mode 2) – 4 m, 8 A GLE 500 e	-	●	●	-	-
Charging cable for wallbox and public charging stations (mode 3) – 4 m, 16 A GLE 500 e	-	●	●	-	-

Item	Sport	AMG Line	designo Line	Mercedes-AMG GLE 43	Mercedes-AMG GLE 63 S
Closing aid for doors and boot lid Power closing ensures smooth and virtually silent closing. Once they have initially engaged, the front and rear doors are automatically drawn closed by servomotors	-	-	●	-	△
Diesel Particulate Filter (DPF) GLE 250 d and GLE 350 d	●	●	●	-	-
EASY-PACK powered tailgate The EASY-PACK boot lid can be opened and closed at the touch of a button for more convenient loading and unloading of the boot	●	●	●	●	●
Headlamps – LED Intelligent Light System LED headlamps, high beam and direction indicator LED position light, cornering light and daytime running lamps Dynamic headlamp range adjustment for ideal visibility in all weather, lighting and driving conditions Variable light distribution for driving on country roads and motorways as well as in heavy fog Active light function allows headlamps to pivot into bends by up to 15° to illuminate road surface more effectively, improving visibility Cornering light function: two LEDs per headlamp improve road illumination in tight bends by automatically switching on cornering light on the relevant side Enhanced fog lamp function illuminates outer half of the carriageway more effectively while reducing glare due to light reflected by fog. Can be activated at speeds below 44 mph and remains switched on up to 62 mph Welcome home function lights up LED fibre optics in the headlamps in blue after unlocking the vehicle, transitioning to white locator lighting	●	●	●	●	●

**Standard equipment**

36

Item	Sport	AMG Line	designo Line	Mercedes-AMG GLE 43	Mercedes-AMG GLE 63 S
Exterior (continued)					
Heated windscreen washer system	●	●	●	●	●
LED tail lamps	●	●	●	●	●
Panoramic electric sunroof with interior sun blind	-	△	●	△	●
Privacy glass - dark glass from B-pillar backwards	●	●	●	●	●
Rain-sensing wipers	●	●	●	●	●
Rear screen wash/wiper	●	●	●	●	●
Roof rails - aluminium finish	●	●	●	●	●
Running boards with rubber studs	-	△	●	△	△
Scratch guard on load compartment sill - chrome	●	●	●	●	●
Tinted glass all round - single-layer safety glass	●	●	●	●	●
'V8 BITURBO' lettering on front wings	-	-	-	-	●

Item	Sport	AMG Line	designo Line	Mercedes-AMG GLE 43	Mercedes-AMG GLE 63 S
Interior					
Memory package	-	△	●	△	●
Driver's seat, front passenger seat, steering column and exterior mirrors - electrically adjustable with memory					
12V socket in front and rear of centre console and in load compartment	●	●	●	●	●
Ambient lighting	-	●	●	●	●
Illumination for double cup holder, rear footwells, rotary air vent controls, front door sill panels with 'Mercedes-Benz' lettering illuminated in white ('AMG' lettering for GLE 63 S), warning/courtesy lights in the rear. With a choice of three colours: neutral (white), solar (amber), polar (ice blue)					
AMG instrument cluster with large (4.4-inch) multifunction display and AMG main menu with red highlights	-	-	-	-	●
AMG sports seats with AMG-specific seat upholstery layout, optimised lateral support and AMG badge in front seat backrests	-	-	-	-	●
Centre armrests - front, with stowage compartment	●	●	●	●	●
Centre armrests - rear, folding	●	●	●	●	●
Cup holders - front (2) and rear (2)	●	●	●	●	●
Cup holders - temperature-controlled for driver and front passenger	-	-	●	-	●
Dashboard - upper and lower sections, armrest in centre console, beltline and door panels in nappa leather	-	-	●	-	●
Door centre panels with ribbed design in ARTICO leather ¹	●	●	-	●	-



Item	Sport	AMG Line	designo Line	Mercedes-AMG GLE 43	Mercedes-AMG GLE 63 S
Interior (continued)					
Door sill panels with 'Mercedes-Benz' lettering	●	●	●	●	●
Floor mats – AMG velour floor mats with edging and embroidered 'AMG' lettering	–	–	–	●	●
Floor mats – designo floor mats with edging in designo leather and 'designo' badges	–	–	●	–	–
Floor mats – velour mats in interior colour Coloured the same as the car's appointments, the velour floor mats fit in perfectly with the high-quality interior and effectively protect the footwell against soiling	●	–	–	–	–
Front seats – climatized	–	–	●	–	△
Front seats – full electric adjustment (backrest, height and longitude) with four-way electric lumbar support for driver's seat	●	●	●	●	●
Front seats – heated	●	●	–	●	●
Front seats – multi-contour seats with massage function	–	–	●	–	△
Interior air ionisation with air filter	–	–	●	–	△
KEYLESS-GO starting function	●	●	●	●	●
Luggage compartment cover	●	●	●	●	●

Item	Sport	AMG Line	designo Line	Mercedes-AMG GLE 43	Mercedes-AMG GLE 63 S
Rear seats – heated	–	–	●	–	●
Rear seats – split folding 1/3:2/3	●	●	●	●	●
Sports pedals in brushed stainless steel with rubber studs	–	●	–	●	●
Sun visors with illuminated vanity mirrors	●	●	●	●	●
THERMATIC – automatic climate control	●	●	–	●	–
THERMOTRONIC – luxury automatic climate control Multi-zone function with separate air distribution settings for driver/front passenger and rear. Three different climate modes: Focused, Medium and Diffuse	–	–	●	–	●



Item	Sport	AMG Line	designo Line	Mercedes-AMG GLE 43	Mercedes-AMG GLE 63 S
Paint, Trim and Upholstery					
Paint – non-metallic or metallic	●	●	●	●	●
Trim – black high-gloss poplar wood	-	-	●	-	-
Trim – brushed light aluminium	●	●	-	●	●
Upholstery – AMG Exclusive nappa leather	-	-	-	-	●
Upholstery – ARTICO leather ¹	-	●	-	●	-
Upholstery – ARTICO leather ¹ with perforations in seat centre panel	●	-	-	-	-
Upholstery – designo Exclusive nappa leather	-	-	●	-	-

Item	Sport	AMG Line	designo Line	Mercedes-AMG GLE 43	Mercedes-AMG GLE 63 S
Security and Assistance Systems					
Active Brake Assist The driver is given a visual warning if the distance from a vehicle in front is inadequate. On detecting the danger of a collision there is an acoustic warning, driver braking can be assisted and, if the driver fails to react, the speed can be reduced autonomously. Autonomous partial braking only occurs if the driver fails to react and is travelling at a speed range between 4-65 mph speeds for moving objects and 4-31 mph for stationary objects	●	●	●	●	●
Active bonnet – pedestrian safety measure	●	●	●	●	-
ADAPTIVE BRAKE with HOLD function, Hill-Start Assist, priming and dry braking in the wet	●	●	●	●	●
Adaptive brake lights	●	●	●	●	●
Airbags – driver and front passenger	●	●	●	●	●
Airbags – front sidebags	●	●	●	●	●
Airbags – windowbags	●	●	●	●	●
Alarm system with immobiliser and interior protection (MBSS4)	●	●	●	●	●
Anti-lock braking system (ABS) with Brake Assist (BAS)	●	●	●	●	●
ATTENTION ASSIST Continuously analyses driver behaviour and steering movements. If patterns are recognised which characterise drowsiness, the driver is prompted to take a break, and an audible warning is sounded. At the same time COMAND Online offers to locate a rest stop	●	●	●	●	●



Item	Sport	AMG Line	designo Line	Mercedes-AMG GLE 43	Mercedes-AMG GLE 63 S
Security and Assistance Systems (continued)					
Automatic child seat recognition sensor When the front passenger seat is unoccupied or a child seat is detected, the front passenger airbag is automatically deactivated	●	●	●	●	●
Collapsible spare wheel Not available with GLE 500 e or optional Bang & Olufsen BeoSound AMG (code 811)	●	●	●	●	●
Crosswind Assist Detects sudden, strong gusts of wind and helps the driver stay in lane by means of targeted braking	●	●	●	●	●
Downhill Speed Regulation (DSR) with on/off switch and variable speed control	●	●	●	●	●
Electric parking brake	●	●	●	●	●
Electronic Stability Programme (ESP®) with Acceleration Skid Control (ASR)	●	●	●	●	●
First-aid kit and warning triangle	●	●	●	●	●
Four-wheel Electronic Traction System (4ETS)	●	●	●	●	●
Headlamp Assist – automatic headlamp activation	●	●	●	●	●
ISOFIX child seat attachment points in the rear (two outer seats)	●	●	●	●	●

Item	Sport	AMG Line	designo Line	Mercedes-AMG GLE 43	Mercedes-AMG GLE 63 S
Outside temperature display, rear seat belt status indicator	●	●	●	●	●
PRE-SAFE® anticipatory safety system with reversible belt tensioners for driver and front passenger seats, closing function for side windows	●	●	●	●	●
Remote central locking	●	●	●	●	●
Seat belt pre-tensioners and force limiters – front and outer rear seats	●	●	●	●	●
Service indicator ASSYST	●	●	●	●	●
TIREFIT tyre-sealant kit GLE 500 e	–	●	●	–	–
Traffic Sign Assist Speed Limit Assist with wrong-way warning function and display of speed limit in instrument cluster	●	●	●	●	●
Tyre pressure monitoring system	●	●	●	●	●



Item	Sport	AMG Line	designo Line	Mercedes-AMG GLE 43	Mercedes-AMG GLE 63 S
Communications and In-Car Entertainment					
Bluetooth® interface for hands-free telephony and audio streaming for music transmission	●	●	●	●	●
Central controller dial to operate audio functions and telephone (when connected)	●	●	●	●	●
COMAND Online system ¹ with Media Interface and touchpad Includes radio, single CD/DVD, 8 speakers, 8-inch colour display, hard disk drive (HDD) navigation with 3D map display, Live Traffic Information and European map data updates free of charge for the first three years and LINGUATRONIC voice control. Internet-enabled mobile phone required for emergency call system (eCall), Mercedes-Benz apps and in-car internet access for Facebook, internet radio, sending routes from Google Maps™ to the vehicle, news and weather reports. Also includes SD memory card slot and MP3 compatibility. Media Interface allows connection and control of portable media devices (e.g. MP3 player, USB storage media)	●	●	●	●	●
DAB digital radio tuner	●	●	●	●	●
Mercedes me connect standard services – for example accident recovery, breakdown management and maintenance management, or telediagnosics for worn parts	●	●	●	●	●





Item	Sport	AMG Line	designo Line	Mercedes-AMG GLE 43	Mercedes-AMG GLE 63 S
Mercedes me connect (additional services) Including programming of pre-entry climate control, route planning, retrieval of vehicle level of charge, programming of charging settings. Please contact your Retailer for availability of these services GLE 500 e	-	●	●	-	-
Smartphone integration Comprising Apple CarPlay™ and Android Auto. Please check on www.apple.com/uk/ios/carplay/ or www.android.com/intl/en_uk/auto for compatibility and approved apps. Certain features and apps require a 3G or 4G data connection. Control of features available through voice control and controller on centre console	●	●	●	●	●
Surround sound system – Harman Kardon® Logic 7® with Dolby Digital 5.1 and DTS 14 high-performance speakers and total output of 830 watts	-	△	●	△	●
USB port in centre armrest	●	●	●	●	●

● Standard ○ Optional - Not available △ Available as part of an option package

¹COMAND Online functionality and Wi-Fi connectivity is dependent on a compatible cellular data connection. Please check with your local Mercedes-Benz Retailer on network compatibility



A revolution in style

Item	Notes		Sport	AMG Line	designo Line	Mercedes-AMG GLE43	Mercedes-AMG GLE63 S	Basic RRP excl. VAT (£)	Total RRP incl. VAT (£)
Wheels									
19" alloy wheels (4) – 5-twin-spoke design in himalaya grey 255/50 tyres			65R	●	-	-	-	-	-
20" AMG alloy wheels (4) – 5-twin-spoke design in titanium grey 265/45 tyres			681	-	●	●	-	-	-
20" AMG alloy wheels (4) – 5-twin-spoke design, painted high-gloss black 265/45 tyres			775	-	△	△	●	-	Included in Night package
21" AMG alloy wheels (4) – 5-twin-spoke design 265/40 tyres	GLE 250 d		755	-	△	-	-	-	Included in Dynamic package
	GLE 350 d and GLE 500 e		-	○	○	-	-	737.50	885.00



Item	Notes		Sport	AMG Line	designo Line	Mercedes-AMG GLE 43	Mercedes-AMG GLE 63 S	Basic RRP excl. VAT (£)	Total RRP incl. VAT (£)	
Wheels (continued)										
21" AMG alloy wheels (4) – 5-twin-spoke design, bicolour 265/40 tyres	GLE 250 d: available when ordering both the Dynamic package (code DP8) and Night package (code P55) together		683	-	△	-	-	Included in Dynamic package with Night package		
	GLE 350 d and GLE 500 e: only in conjunction with Night package (code P55)		-	○	○	○	-	737.50	885.00	
21" AMG alloy wheels (4) – 5-twin-spoke design, bicolour 265/40 tyres			686	-	-	-	○	-	804.17	965.00
21" AMG alloy wheels (4) – multi-spoke design, bicolour titanium grey 295/35 tyres			689	-	-	-	-	●	-	-
21" AMG alloy wheels (4) – multi-spoke design, painted matt black 295/35 tyres			692	-	-	-	-	△	Included in Night package	



Driving Assistance Plus package

This comprehensive package includes many advanced features to help keep you safe on the road: Active Blind Spot Assist monitors the obscure area to the side and rear. The innovative driver assistance system DISTRONIC PLUS cruise control helps to automatically maintain a safe distance from the vehicle ahead. Active Lane Keeping Assist is able to recognise when the vehicle is unintentionally drifting out of its lane, and duly warns the driver with pulsed vibrations on the steering wheel. Plus the renowned PRE-SAFE® safety system can detect critical road situations and initiate preventive safety measures.



Active Lane Keeping Assist

Driving Assistance Plus package (code 23P) – designed and priced as a package, including items as listed below.

All models

Total incl. VAT £1,695.00

Item	Notes
Active Blind Spot Assist	Displays a red triangle in the exterior mirrors: when a road user is detected in the blind spot, the red triangle flashes and an audible warning sounds if the driver operates the indicators. Includes course-correcting braking intervention
Active Brake Assistant with cross-traffic function	Active Brake Assistant can lower the risk of rear-end collisions and support the driver during emergency braking by providing additional brake pressure
Active Lane Keeping Assist	Detects signs of inadvertent drifting out of lane and warns the driver by vibrating the steering wheel and, if necessary, will trigger one-sided braking intervention
Distance Pilot DISTRONIC with Steering Pilot	Helps the driver to maintain a safe distance to the vehicle in front and so relieves strain on the driver, especially on long journeys or in a traffic jam
PRE-SAFE® PLUS	If a rear impact is imminent, this addition to the PRE-SAFE® system can initiate preventive occupant protection measures. These include warning the traffic following behind and locking the vehicle brakes when at a standstill if the driver indicates that he wishes to remain stationary



Night package



The Night package contains striking exterior features increasing the visual appeal of the GLE. The package features 20" or 21" AMG alloy wheels, as well as exterior trim elements in high-gloss black and chrome.

Night package – designed and priced as a package, including items as listed below.

GLE 250 d 4MATIC AMG Line, GLE 350 d 4MATIC and GLE 500 e 4MATIC	Total incl. VAT £495.00
Mercedes-AMG GLE 63 S 4MATIC	£895.00



Item	Night package ¹ £495.00 ³ (code P55)	Night package ² £895.00 ³ (code P55)
Includes a high-gloss black louvre in the radiator grille, high-gloss black exterior mirrors, beltline trim strips, roof rails and weatherstrip	■	■
20" AMG alloy wheels (4) - 5-twin-spoke design, painted high-gloss black in a high-shine finish (code 775)	■	-
Tailpipe trim elements in chrome	■	-
21" AMG alloy wheels (4) - cross-spoke design, painted matt black, 295/35 tyres (code 692)	-	■
A-wing insert for front and rear apron in black	-	■
Twin tailpipe trim elements in black	-	■

■ Included - Not included ¹Available on GLE 250 d 4MATIC, GLE 350 d 4MATIC and GLE 500 e 4MATIC only ²Available on Mercedes-AMG GLE 63 S 4MATIC only ³Including VAT



> View offers



Book a > test drive > AMG test drive



> Find a Retailer



> View the Range Guide

Dynamic package



The Dynamic package takes ride comfort and safety to another level while adding a stylish touch with 21" AMG 5-twin-spoke alloy wheels. The package includes AIRMATIC air suspension with Adaptive Damping System, which adjusts damping to suit the road surface, driving style and vehicle load. It also allows the driver to switch manually between sporty and comfort-biased settings and, thanks to independent self-levelling, ensures the car's ride height is unaffected by heavy loads. AIRMATIC air suspension can also give you extra ground clearance at the touch of a button, allowing you to increase the ride height to 255 mm when tackling rough terrain. The package is available for the AMG Line only.

Dynamic package – designed and priced as a package, including items as listed below.

GLE 250 d AMG Line only

Total incl. VAT £1,995.00

Dynamic package (code DP8)

21" AMG 5-twin-spoke alloy wheels (code 755)

AIRMATIC air suspension



Off-Road package

The Off-Road package combines a host of features that come in handy when taking your GLE off the beaten track. For off-road operation there are the options 'Off-road' for sand and light terrain and also 'Off-road+' for difficult terrain. The low-range gearbox aids slow and careful driving in off-road terrain where a high level of tractive power is required, and supports controlled downhill driving, particularly on low-traction surfaces.

The driver can adjust the gear ratio even more precisely to the requirements of driving in extreme off-road terrain by using the manual mode of the 9G-TRONIC automatic transmission. A 100% differential lock on the centre differential improves traction in difficult terrain even further.

An underguard for the engine, together with reinforced underfloor panelling the full length of the vehicle, helps to reduce damage caused, for example, by driving over obstacles. The three additional selectable off-road ride heights allow the ground clearance to be increased by 30, 60 or 90 mm, corresponding to a maximum wading depth of 600 mm.

Off-Road package – designed and priced as a package, including items as listed below.

GLE 250 d Sport and AMG Line	Total incl. VAT £2,995.00
GLE 350 d AMG Line	£1,985.00

Off-Road package (GLE 250 d code DP9; GLE 350 d code 430)

100% differential lock on centre differential

AIRMATIC air suspension¹

DYNAMIC SELECT with 'Off-road+' driving mode

Front and rear axles with adapted 4ETS

Guard under engine with reinforced underbody panelling

Low-range gearbox

Manual mode for automatic transmission

Special off-road algorithm for ABS, 4ETS and ESP®

Three additional selectable off-road ride heights

¹Standard on GLE 350 d



> View offers



Book a > test drive > AMG test drive



> Find a Retailer



> View the Range Guide

Optional equipment

Item	Notes		Sport	AMG Line	designo Line	Mercedes-AMG GLE 43	Mercedes-AMG GLE 63 S	Basic RRP excl. VAT (£)	Total RRP incl. VAT (£)
AMG Performance Studio									
AMG Performance package AMG Driver's package – includes an increase to your vehicle's electronically limited top speed (175 mph) and participation in one of the AMG BASIC-Training 'Power and Passion' events. The event is run by the AMG Driving Academy and held at a racetrack located in mainland Europe. AMG Performance exhaust system – from emotional to restrained, the sound of the AMG sports exhaust system adapts to the transmission mode selected by the driver by means of variably adjustable exhaust flaps	For further information on this or any other AMG Driving Academy training, please speak to your Retailer, or visit www.mercedes-amg.com/driving-academy	250	-	-	-	-	○	955.83	1,195.00
AMG carbon fibre engine cover		B14	-	-	-	-	○	1,245.83	1,495.00



> View offers



Book a > test drive > AMG test drive



> Find a Retailer



> View the Range Guide

Optional equipment

48

Item	Notes		Sport	AMG Line	designo Line	Mercedes-AMG GLE 43	Mercedes-AMG GLE 63 S	Basic RRP excl. VAT (£)	Total RRP incl. VAT (£)
Suspension and Exterior									
Lane Tracking package Blind Spot Assist Lane Keeping Assist		22P	○	○	○	○	○	495.83	595.00
ACTIVE CURVE SYSTEM With active suspension stabilisers. Enhances ride comfort, agility and safety at high speeds, when cornering and when driving off-road	GLE 350 d, Mercedes-AMG GLE 43 and Mercedes-AMG GLE 63 S only	468	-	○	○	○	●	2,700.00	3,240.00
Charging cable for household socket (mode 2) – 8 m, 8 A GLE 500e	Replaces standard charging cable for household socket (mode 2) – 4 m, 8 A	B81	-	○	○	-	-	no-cost option	
Charging cable for wallbox and public charging stations (mode 3) – 8 m, 16 A GLE 500e	Replaces standard charging cable for wallbox and public charging stations (mode 3) – 4 m, 16 A	B83	-	○	○	-	-	no-cost option	
Tow bar – fully electric Includes 13-pin socket	When ordering, please discuss with your Retailer any specific electrical towing requirements	550	○	○	○	○	○	791.67	950.00

● Standard ○ Optional - Not available



Item	Notes		Sport	AMG Line	designo Line	Mercedes-AMG GLE 43	Mercedes-AMG GLE 63 S	Basic RRP excl. VAT (£)	Total RRP incl. VAT (£)
Paint, Trim and Upholstery									
Paint - designo diamond white bright			799	○	○	○	○	704.17	845.00
Paint - designo hyacinth red bright			996	○	○	○	○	704.17	845.00
Roof lining - black fabric			51U	○	○	-	○	83.33	100.00
Trim - AMG carbon fibre/black piano lacquer			H10	-	-	○	-	916.67	1,100.00
				-	○	-	○	1,245.83	1,495.00
Trim - brown open-pore ash wood			H09	-	-	○	-	no-cost option	
Trim - designo black piano lacquer			H21	-	-	○	-	no-cost option	
Trim - black high-gloss poplar wood			729	-	○	●	○	329.17	395.00
Trim - dark brown high-gloss eucalyptus wood			734	-	-	○	-	no-cost option	
Upholstery - two-tone nappa leather			-	-	○	-	○	1,516.67	1,820.00
Available in:									
pearl black/black	811								
porcelain/black	855								



Item	Notes		Sport	AMG Line	designo Line	Mercedes-AMG GLE 43	Mercedes-AMG GLE 63 S	Basic RRP excl. VAT (£)	Total RRP incl. VAT (£)
Communications and In-Car Entertainment									
Bang & Olufsen BeoSound AMG surround sound system 14 high-performance speakers with twin illuminated tweeter lenses	For AMG Line and Mercedes-AMG GLE 43, only available with Premium Plus equipment line (code DP1). Collapsible spare wheel is replaced with TIREFIT tyre sealant	811	-	○	○	○	○	2,912.50	3,495.00
Rear Seat Entertainment System DVD player Remote control Two 8-inch displays integrated into the front seat head restraints Two sets of Klear wireless headphones		864	○	○	○	○	○	1,600.00	1,920.00
Universal Telephony package in armrest with universal interface for universal cradle, extended telephone functionality, charging function and LTE-compatible exterior aerial for optimum reception. Smartphones can be conveniently connected to the onboard handsfree system via a universal interface in the armrest. For this, the smartphone is simply inserted into the universal smartphone cradle. This can be connected to the interface with a click within seconds. The use of the LTE-compatible exterior aerial ensures optimum reception and transmission. In addition the battery can be charged. The smartphone is conveniently operated using the onboard system. Access to the phone's internal memory is also possible in this way		386	○	○	○	○	○	291.67	350.00
Service Package									
Service Care Service Care allows you to spread the cost of servicing your new car in the Mercedes-Benz Retailer network. Taking out a Service Care plan ensures your servicing needs are taken care of by fully trained Mercedes-Benz Technicians with the added benefit of a Mercedes-Benz service history	Price is based on a monthly rate. Example given is for two services taken over 24 months or three services over 36 months. Further payment options are available. New Service Care prices apply only to vehicles up to 12 months old prior to first service. Prices correct at the time of publication		○	○	○	○	-	32.50	39.00
			-	-	-	-	○	37.50	45.00



> View offers



Book a > test drive > AMG test drive



> Find a Retailer



> View the Range Guide

Genuine Accessories

We've developed a range of Accessories you can add to help personalise and enhance your GLE. Your local Mercedes-Benz Retailer can advise on fitting costs of Accessories, where applicable. Further information on our full range of Genuine Accessories can be found on the Mercedes-Benz UK website.

01 | LED Mercedes star projector

The legendary three-pointed star logo is discreetly projected onto the ground alongside your vehicle every time you open the front driver or passenger door. The star automatically disappears once the doors are closed.

RRP £118.80 (incl. VAT), excluding fitting



02 | Concertina load sill protector

Designed to prevent the bumper from being scratched. Can be secured to boot tub or reversible mat. Helps prevent scratches when loading the load compartment or when loading the Mercedes-Benz roof box.

RRP £41.53 (incl. VAT)





> View offers



Book a > test drive > AMG test drive



> Find a Retailer



> View the Range Guide

03 | Shallow boot tub

Suitable for transporting shopping. The tub shape with its slightly raised edge is precision-tailored to the load area. Made from impact-resistant, non-slip polypropylene. Cannot be used in conjunction with third row of seats or hybrid vehicles.

RRP £99.00 (incl. VAT)

04 | Stowage crate

Supplied with rigid partitioning elements which can be used to divide it into four, making it ideal for holding shopping bags. It is secured in place using tension straps which are attached to the load-securing rings. Full functionality only available in conjunction with shallow boot tub.

RRP £87.50 (incl. VAT)



05 | Deep boot tub

The deep, fitted boot tub (approx. 25 cm at the sides, 8 cm at the load edge) is also suitable for transporting shopping. The HD-PE material is particularly tough yet flexible, as well as odourless, acid-resistant and easy-clean. Ribbed structure for added strength. Lightweight – easy to insert and remove. Cannot be used in conjunction with third row of seats or hybrid vehicles.

RRP £188.40 (incl. VAT)





> View offers



Book a > test drive > AMG test drive



> Find a Retailer



> View the Range Guide



06 | Head restraint modular system

Carefree travel with Mercedes-Benz Style & Travel Equipment. The head restraint elements are simple to fit and remove. The modular system centres around a base support which can be combined with a coat hanger, universal hook, folding table and tablet mount.

Base support: RRP £22.32 (incl. VAT)

Coat hanger: RRP £67.60 (incl. VAT)

Folding table: RRP £102.60 (incl. VAT)

Universal hook: RRP £26.76 (incl. VAT)

07 | Apple iPad2®-iPad4® Dock

The ergonomic, crashproof Docking Station introduces the iPad® and all of its familiar functions to your Mercedes-Benz. All connections, e.g. for your headphones or charging cable, remain accessible. The mount is fitted to the head restraint and can be tilted and rotated around 90°. Available for iPad®, iPad® 2, iPad® 3 and iPad® 4.

RRP £227.50 (incl. VAT)



> View offers



Book a > test drive > AMG test drive



> Find a Retailer



> View the Range Guide

08 | Alustyle Easy-Fix II basic carrier bars for roof rails

Aluminium carrier bars, precision-tailored to the body of your Mercedes-Benz – the perfect basis for a range of Mercedes-Benz transport solutions: ski and snowboard rack, bicycle rack or roof boxes.

RRP £222.50 (incl. VAT)

09 | Mercedes-Benz roof boxes

An aerodynamic design, tailored to your Mercedes-Benz. In extremely durable material. Designed for quick, optimised attachment to the basic carrier bars. Particularly convenient loading and unloading thanks to the option of double-sided opening. Lockable from both sides. Available in various sizes.

RRP from £361.64 (incl. VAT)

10 | Alustyle bicycle rack

Extremely lightweight bicycle rack, designed to allow you to attach a bicycle to the basic carrier bars for roof rails. Bicycles can either be attached to the rack once it has been fitted to the roof or, conveniently, before it is fitted. The support frame can also be folded down when not in use to reduce drag when travelling without cycles.

RRP £121.00 (incl. VAT)



08

09



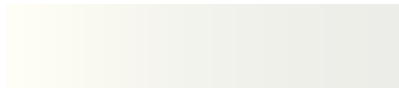
10



Colours and materials

Non-metallic paint

Standard



149 polar white

Metallic paints

Standard



197 obsidian black



896 brilliant blue



775 iridium silver



988 diamond silver



796 citrine brown



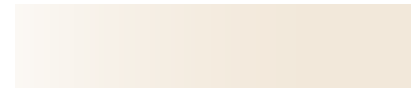
992 selenite grey



890 cavansite blue

Special metallic paints

Additional-cost option



799 designo diamond white bright



996 designo hyacinth red bright



> View offers



Book a > test drive > AMG test drive



> Find a Retailer



> View the Range Guide

Sport upholstery

ARTICO leather¹ (standard)



111 black

Optional



114 espresso brown



115 ginger beige/
espresso brown

Sport trim

Standard



739 brushed light aluminium

AMG Line upholstery

ARTICO leather¹ (standard)



121 black

Nappa leather (optional)



811 pearl black/black²



855 porcelain/black²

AMG Line trim

Standard

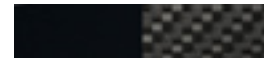


739 brushed light aluminium

Optional



729 black high-gloss
poplar wood²



H10 AMG carbon fibre/black
piano lacquer²

designo Line upholstery

designo Exclusive nappa leather (standard)



954 espresso brown



955 porcelain/black

designo Line trim

Standard



729 black high-gloss
poplar wood²

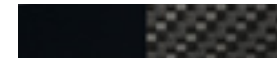
Optional



734 dark brown high-gloss
eucalyptus wood²



H09 brown open-pore
ash wood²



H10 AMG carbon fibre/black
piano lacquer²



H21 designo black
piano lacquer²

¹Man-made leather ²Additional-cost option



Mercedes-AMG GLE 43 4MATIC upholstery

ARTICO leather¹ (standard)

Nappa leather (optional)



121 black



811 pearl black/black²



855 porcelain/black²

Mercedes-AMG GLE 43 4MATIC trim

Standard

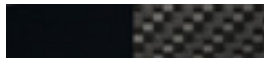
Optional



739 brushed light aluminium



729 black high-gloss poplar wood²



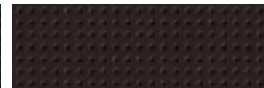
H10 AMG carbon fibre/black piano lacquer²

Mercedes-AMG GLE 63 S 4MATIC upholstery

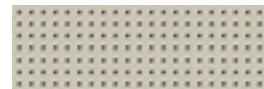
Exclusive nappa leather (standard)



541 black with grey stitching



534 espresso brown/black



535 porcelain/black

Mercedes-AMG GLE 63 S 4MATIC trim

Standard

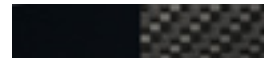
Optional



739 brushed light aluminium



729 black high-gloss poplar wood²



H10 AMG carbon fibre/black piano lacquer²

¹Man-made leather ²Additional-cost option



Trim and upholstery combinations

	Sport			AMG Line/Mercedes-AMG GLE43 4MATIC			designo Line		Mercedes-AMG GLE63 S 4MATIC		
	ARTICO leather ¹			ARTICO leather ¹	Two-tone nappa leather ²		designo Exclusive nappa leather		AMG Exclusive nappa leather		
	black (111)	espresso brown (114)	ginger beige/espresso brown (115)	black (121)	pearl black/black (811)	porcelain/black (855)	espresso brown (954)	porcelain/black (955)	espresso brown/black (534)	porcelain/black (535)	black with grey stitching (541)
Dashboard											
Steering wheel	black	espresso brown	espresso brown	black	black	black	espresso brown	black	black	black	black
Upper dashboard trim	black	espresso brown	espresso brown	black	black	black	espresso brown	black	black	black	black
Lower dashboard trim	black	espresso brown	ginger beige	black	black	black	espresso brown	black	black	black	black
Seats											
Seat cushion centre section	black	espresso brown	ginger beige	black	black	porcelain	espresso brown	porcelain	espresso brown	porcelain	black
Side bolster trim	black	espresso brown	ginger beige	black	black	black	espresso brown	porcelain	espresso brown	porcelain	black
Head restraint	black	espresso brown	ginger beige	black	black	black	espresso brown	porcelain	espresso brown	porcelain	black
Seat belt	black	espresso brown	espresso brown	black	black	black	espresso brown	black	black	black	crystal grey
Top-stitching	grey	porcelain	porcelain	black	grey	porcelain	porcelain	porcelain	grey	porcelain	grey
Doors											
Door trim at beltline	black	espresso brown	ginger beige	black	black	black	espresso brown	black	black	black	black
Door centre panel	black	espresso brown	espresso brown	black	black	porcelain	espresso brown	porcelain	espresso brown	porcelain	black
Roof lining	crystal grey ³	porcelain ³	porcelain ³	crystal grey ³	crystal grey ³	porcelain ³	porcelain	black	black	porcelain ³	crystal grey ³
Floor covering											
Front and rear	black	espresso brown	black	black	black	black	espresso brown	black	black	black	black
Boot	black	espresso brown	black	black	black	black	espresso brown	black	black	black	black

¹Man-made leather ²Optional ³Also available in black fabric (additional-cost option)



Combination options

		Non-metallic paint Standard	149 polar white	Metallic paints Standard	197 obsidian black	775 iridium silver	796 citrine brown	890 cavansite blue	896 brilliant blue	988 diamond silver	992 selenite grey	Special metallic paints Additional-cost option	799 designo diamond white bright	996 designo hyacinth red bright	
ARTICO leather¹ – Sport, AMG Line/Mercedes-AMG GLE 43 4MATIC (std)															
	black	●		●	●	●	●	●	●	●	●	●	●	●	
	espresso brown ²	●		●	●	△	△	●	●	●		●	△		
	ginger beige/espresso brown ²	○		○	○	○	△	△	○	●		●	△		
Two-tone nappa leather – AMG Line/Mercedes-AMG GLE 43 4MATIC (optional)															
	pearl black/black	●		●	●	●	●	●	●	●	●	●	●	●	
	porcelain/black	●		●	●	●	●	●	●	●	●	●	●	●	
designo Exclusive nappa leather – designo Line (standard)															
	espresso brown	●		●	●	△	●	●	●	●	●	●	●	△	
	porcelain/black	●		●	●	●	●	●	●	●	●	●	●	●	
AMG Exclusive nappa leather – Mercedes-AMG GLE 63 S 4MATIC (standard)															
	black with grey stitching	●		●	●	●	●	●	●	●	●	●	●	●	
	espresso brown/black	●		●	●	△	●	●	●	●	●	●	●	△	
	porcelain/black	●		●	●	●	●	●	●	●	●	●	●	●	

● Recommended ○ Possible △ Not recommended – Not available ¹Man-made leather ²Not available on AMG Line and Mercedes-AMG GLE 43 4MATIC
Please note that, owing to limitations of on-screen representation, paint colours may differ from those shown



Technical data

Model	Diesel engines		Petrol hybrid	Petrol engines	
	GLE 250 d 4MATIC	GLE 350 d 4MATIC	GLE 500 e 4MATIC	Mercedes-AMG GLE 43 4MATIC	Mercedes-AMG GLE 63 S 4MATIC

Engine						
Total displacement	cc	2,143	2,987	2,996	2,996	5,461
Arrangement/cylinders/valves		in-line/4/16	V/6/24	V/6/24	V/6/24	V/8/32
Power ¹	hp (kW) at rpm					
Combustion engine		204 (150)/3,800	258 (190)/3,400	333 (245)/5,250–6,000	390 (287)/6,100	585 (430)/5,500
Electric motor		–	–	116 (85)/3,500	–	–
System output		204 (150)/3,800	258 (190)/3,400	442 (325)/5,250–5,500	390 (287)/6,100	585 (430)/5,500
Torque ¹	Nm at rpm					
Combustion engine		500/1,600–1,800	620/1,600–2,400	480/1,600–4,000	520/2,500–5,000	760/1,750–5,250
Electric motor		–	–	340/0–2,000	–	–
System output		500/1,600–1,800	620/1,600–2,400	650/tba	520/2,500–5,000	760/1,750–5,250

Transmission						
9G-TRONIC 9-speed automatic		●	●	–	●	–
7G-TRONIC PLUS 7-speed automatic		–	–	●	–	–
AMG SPEEDSHIFT PLUS 7G-TRONIC 7-speed auto.		–	–	–	–	●

Tyre sizes						
Front		255/50	265/45	265/45	265/45	295/35
Rear		255/50	265/45	265/45	265/45	295/35



Model	Diesel engines		Petrol hybrid	Petrol engines	
	GLE 250 d 4MATIC	GLE 350 d 4MATIC	GLE 500 e 4MATIC	Mercedes-AMG GLE 43 4MATIC	Mercedes-AMG GLE 63 S 4MATIC

Performance

Acceleration 0-62 mph	sec	8.6	7.1	5.3	5.7	4.2
Top speed	mph	130	140	152	155	155 ²

Weights and capacities

Kerb weight ³	kg	2,165	2,185	2,465	2,180	2,345
Perm. Gross Vehicle Weight	kg	2,950	2,950	3,050	2,930	3,050
Towing capacity - unbraked		750	750	750	750	750
braked	kg	2,950	3,500	2,000	3,500	3,050
Boot capacity	l	690	690	480	690	690
Fuel tank capacity/of which reserve	l	93/12	93/12	80/10	93/12	93/14
Turning circle kerb to kerb	m	11.8	11.8	11.8	11.8	11.8
Wading depth - standard		500	500	500	500	500
with Off-Road package	mm	500-600	500-600	-	-	-

²Electronically limited ³Figures according to Directive 92/21/EC (kerb weight with fuel tank 90% full, driver, 68 kg, and luggage, 7 kg) for standard-specification vehicles



Model	Diesel engines		Petrol hybrid	Petrol engines	
	GLE 250 d 4MATIC	GLE 350 d 4MATIC	GLE 500 e 4MATIC	Mercedes-AMG GLE 43 4MATIC	Mercedes-AMG GLE 63 S 4MATIC

Electric range

Range in miles	-	-	approx. 18.6*	-	-
----------------	---	---	---------------	---	---

Fuel consumption^{4,5}

mpg

Urban	42.8	38.7	-	24.4	18.0
Extra-urban ⁶	51.4	45.6	-	38.2	29.4
Combined	47.9	42.8	76.4*	31.7	23.9

CO₂ emissions⁵

g/km

Emissions standard	EU6	EU6	EU6	EU6	EU6
19" alloy wheels	155	-	-	-	-
20" alloy wheels	156	179	84	205	-
21" alloy wheels	155	174	78	205	276

Insurance

Group rating	41-42	45-46	49	47-48	50
--------------	-------	-------	----	-------	----

Insurance ratings may vary depending on model specification. Please refer to <http://www.thatcham.org/abigrouprating/> for further details

⁴All figures are based on a standard specification with the smallest tyre size ⁵The choice of wheels and transmission may affect CO₂ emissions and corresponding Road Fund Licence

⁶EUDC: extra-urban driving cycle. Testing procedures adhere to EU Directive 93/116 *The manufacturer's stated fuel consumption and electric range figures are based on the legally prescribed NEDC test cycle, which is performed in a laboratory. These are the only figures we are allowed to publish. It is common that differences occur in real driving conditions compared with these certified laboratory values. They result primarily from conditions different from the legally-prescribed laboratory conditions, for example when ambient temperatures differ (the weather is hot, cold, windy, wet), the vehicle is operated under different loads and many other factors. For several years, Mercedes-Benz has fully and actively supported the early introduction of the WLTP (Worldwide Harmonised Light Vehicles Test Procedure) and the measuring procedure for Real Driving Emissions (RDE). This procedure is designed to supersede the NEDC, with the goal of bringing standardised and real-world consumption closer together



> View offers



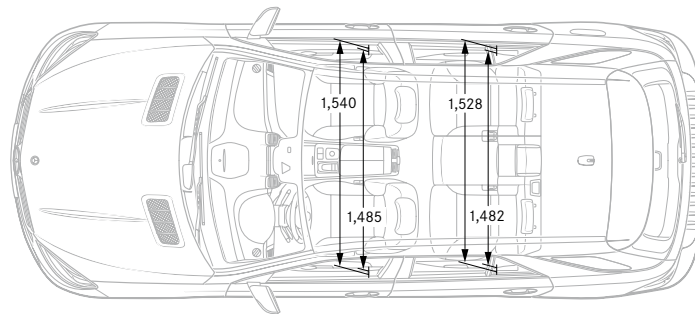
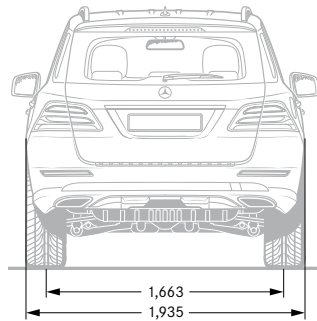
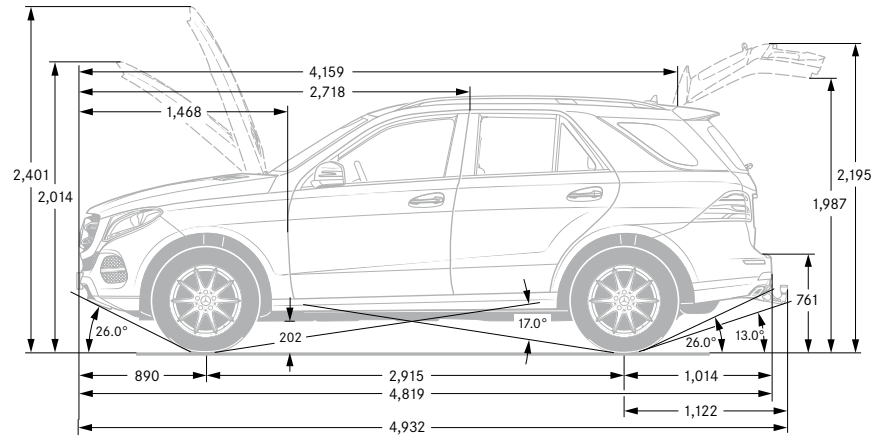
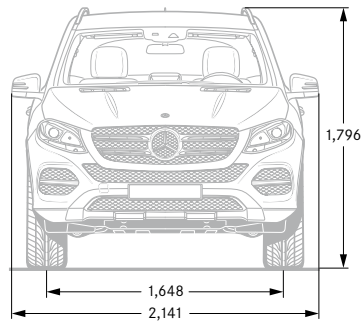
Book a > test drive > AMG test drive



> Find a Retailer



> View the Range Guide





> View offers



Book a > test drive > AMG test drive



> Find a Retailer



> View the Range Guide

Road Fund Licence



All road vehicle registrations are subject to Vehicle Excise Duty (Road Fund Licence), which varies in accordance with the vehicle's CO₂ emissions. A first year rate for each taxation band will apply. The table below shows the bands (A–M) created by the DVLA and the corresponding Road Fund Licence. CO₂ emissions are listed in the technical data on page 62, and the relevant Excise Duty is reflected in the on-the-road prices on page 11.

Band	CO ₂ emissions	First year rate (£)	Standard rate (£)	Premium rate (£) ¹
A	0 g/km	0.00	0.00	310.00
B	1 to 50 g/km	10.00	140.00	450.00
C	51 to 75 g/km	25.00	140.00	450.00
D	76 to 90 g/km	100.00	140.00	450.00
E	91 to 100 g/km	120.00	140.00	450.00
F	101 to 110 g/km	140.00	140.00	450.00
G	111 to 130 g/km	160.00	140.00	450.00
H	131 to 150 g/km	200.00	140.00	450.00
I	151 to 170 g/km	500.00	140.00	450.00
J	171 to 190 g/km	800.00	140.00	450.00
K	191 to 225 g/km	1,200.00	140.00	450.00
L	226 to 255 g/km	1,700.00	140.00	450.00
M	over 255 g/km	2,000.00	140.00	450.00

Some of the model features, optional extras and colours shown may not be available or may only be available in a different specification.

¹Premium rate only applicable to vehicles where the list price is over £40,000 including any factory-fitted options, standard UK delivery charge, number plates, fuel and VAT



Services and insurance

Mercedes-Benz Service Care

We believe that servicing costs should be as flexible and affordable as possible for your GLE, which is why we offer Service Care, an easy way to budget for all your servicing costs. It spreads your bills into manageable payments based on whether you have a new or used Mercedes-Benz.

With Service Care we guarantee the price of parts and labour for up to three services and safeguard against any further inflation. It also covers the cost of all recommended service items including brake fluid, spark plugs, air filters, fuel filters and screen wash.

You can choose either to add your servicing costs into your monthly spend or pay the full amount in a one-off payment, giving you peace of mind that they are taken care of for the period of the plan.

To receive a personalised Service Care plan recommendation visit the Service Care Calculator at servicecarerates.mercedes-benz.co.uk

Warranty and breakdown cover

Every Mercedes-Benz comes with a three-year unlimited mileage warranty against manufacturing or material defects¹ and up to 30 years warranty against perforation due to corrosion from the inside out². What's more, it's also covered by Mercedes-Benz Roadside Assistance – a unique package comprising up to 30 years pan-European breakdown assistance².

The following key components of the GLE 500 e are covered for six years or 62,000 miles (whichever comes sooner):

- High-voltage battery
- Electric motor
- Power electronics

Insurance

Since our name is synonymous with reliability, who better to trust with your motor insurance? Mercedes-Benz Insurance provides a motor insurance policy specifically designed to give you the cover you would expect from Mercedes-Benz. For a motor insurance quotation, call **0345 600 2180**.*

¹Applies to vehicles sold by Mercedes-Benz in the UK to its franchised Retailers ²Subject to full Terms and Conditions, dependent on date of registration, available upon request Mercedes-Benz Motor Insurance is underwritten by Aviva Insurance UK Limited. Credit provided, subject to status, by Mercedes-Benz Financial Services UK Ltd, MK15 8BA *For joint protection, calls may be recorded and/or monitored. All calls charged at local rate. We may decline to quote in some circumstances

Mercedes me connect

Mercedes me connect enables you to connect to your car via desktop, tablet or smartphone via an app. It provides access to services that enhance your Mercedes-Benz experience and fit effortlessly into your daily digital routine.¹

Standard Services.

Available on all models, except G-Class.

- **Emergency Call** – if there's an accident, this feature automatically shares your vehicle location and status for a fast response from the emergency services
- **Accident & Breakdown Management** – contact our Customer Assistance Centre with a single button for fast breakdown recovery
- **Telediagnosics** – automatically detects and shares details of any vehicle wear and tear with you, and shares the data with your Retailer
- **Maintenance Management** – reminds you when your service is due and automatically shares maintenance data with your Retailer
- **Parking Time Assist** – track the time on your parking meter and receive an alert when it's due to expire



66

Vehicle Setup.

These services come as standard if you have COMAND Online. Available as an optional £69 upgrade for all other customers.

- **Personal Profile** – store your preferences, such as your favourite radio stations and apps, to create your personal driver profile
- **Maintenance (Vehicle Status)** – check safety information, such as coolant level and brake pad condition, so you can be sure your car is safe and ready to drive
- **Remote Door Unlock** – lock and unlock your car remotely, wherever you are in the world
- **Send to Car Function** – search for destinations on your smartphone, tablet or desktop, then send the routes direct to your car for navigation

¹Currently unavailable in the Channel Islands and the Isle of Man



> View offers



Book a > test drive > AMG test drive



> Find a Retailer



> View the Range Guide

Mercedes me connect

67

Remote Online Services.

Standard on all models with COMAND Online, except for new E-Class. Available to purchase for an additional £150.00 (incl. VAT) for all models without COMAND Online.

- **Trip information and vehicle status** – access the vehicle's trip data such as fuel level, mileage, condition of brake pads and tyre pressure
- **Remote door locking and unlocking** – lock and unlock your car remotely, wherever you are in the world
- **Geofencing** – set up a geographical boundary and receive alerts whenever your car enters or leaves this area
- **Parked Vehicle Locator** – locate your parked vehicle within a range of one mile and plot a route back to it
- **Vehicle Tracker** – track the location of your car anywhere in the world

Additional services for Plug-In Hybrid and electric models only, as part of Remote Online services:

- **Pre-entry climate control** – activate the pre-entry climate control system of your parked vehicle and set the temperature to your liking before boarding
- **Route planning** – displays the electric operating range on a map and enables you to plan a route while stopping at public charging stations
- **Charging points** – displays a list of the nearest public charging stations
- **Charging profile** – control the charging settings from a distance so your vehicle can be ready charged when you need it

Vehicle Monitoring.

Standard with COMAND Online for all models, except the new E-Class. Available to purchase for new E-Class and all other customers as an additional £69 upgrade.

- **Geo-fencing** – set up a geographical boundary and receive alerts whenever your car enters or leaves this area
- **Parked Vehicle Locator** – locate your parked car when within 1 mile and plot a route back to it
- **Vehicle Tracker** – track the location of your car anywhere in the world

Visit the Mercedes me connect store for more information:

shop.mercedes-benz.com/en-gb/connect





Mercedes-Benz Finance

Why should you finance with Mercedes-Benz?

At Mercedes-Benz we believe a great driving experience should be matched by an equally great ownership experience. That is why we put just as much thought, time and effort into designing our finance options, our service plans and our insurance cover as we do into our vehicles.

We are not in the business of simply providing a loan to fund the purchase of your dream vehicle. We look on it as a journey that we take with you, from the moment you choose your new Mercedes-Benz, to helping you in choosing your next one.

If you would like to find out more about any of our current offers, simply call into your local Mercedes-Benz Retailer where one of our Business Managers will be more than happy to talk you through anything you need to know.

Helping you find the right solution.

You should find our finance packages are more convenient than a traditional personal loan because:

- Funds are immediately available – no waiting for cheques or loans to clear.
- There is no security required – either against your home or other assets.
- We have clear and transparent rates – the APR we quote is the APR you get.
- We have friendly Business Managers – experts in vehicle finance who can talk you through all of your plans in detail.

One of our most popular finance products is Mercedes-Benz Agility (our Personal Contract Purchase product). We also offer Contract Hire, Operating Lease and Hire Purchase solutions. If you would like to find out more about these speak to your Retailer or visit www.mercedes-benz.co.uk/fandi.

Mercedes-Benz Agility (our PCP product).

At the start of an Agility agreement, you put down a deposit and decide the term of your agreement and your annual mileage. You will be advised of the Guaranteed Future Value, which offers you the reassurance of knowing exactly what you will need to pay to own the vehicle outright in the future (this is known as the Optional Purchase Payment).

Throughout your agreement you simply pay your agreed monthly payments and when the agreement comes to an end you either purchase, hand back or part-exchange your vehicle.





Agility features:

- Fixed regular payments mean you can easily budget.
- Payments are based only on a proportion of the vehicle's value, keeping your monthly payments lower.
- Our Guaranteed Future Value avoids the risk of unplanned depreciation of your vehicle.
- You defer your ownership decision until the end of the agreement.

At the end of your agreement you have three options to choose from.

Option 1: Purchase your Mercedes-Benz.

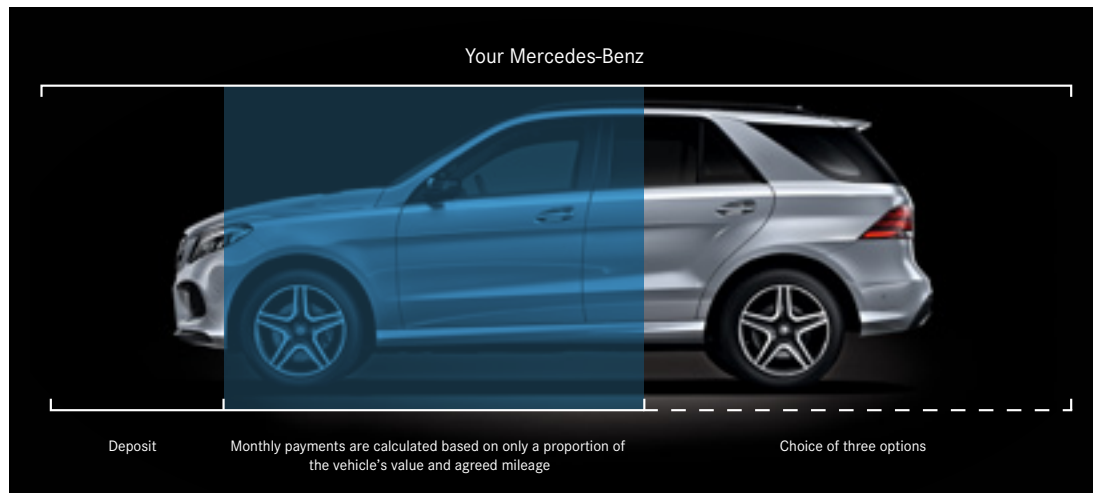
Purchase your Mercedes-Benz by paying the Optional Purchase Payment and Purchase Activation Fee.¹ This will complete the purchase of your Mercedes-Benz, leaving you free to simply enjoy your vehicle.

Option 2: Hand back your Mercedes-Benz.

If you decide to return your vehicle to us, it must be in line with our Vehicle Return Standards,^{*} as vehicle condition, excess mileage and other charges may be payable.

Option 3: Part-Exchange for a new vehicle.

Purchase your Mercedes-Benz by paying the Optional Purchase Payment and Purchase Activation Fee.¹ This will complete the purchase of your Mercedes-Benz, leaving you free to part-exchange for a new vehicle.



¹Please note the 'Purchase Activation Fee' of £10 will be debited from your account *To find out more information about our Vehicle Return Standards please visit <http://mercedes-benz.co.uk/vrs>



> View offers



Book a > test drive > AMG test drive



> Find a Retailer



> View the Range Guide

Chargemaster Homecharge – simple steps to effortless charging

When you purchase a Mercedes-Benz plug-in vehicle we recommend Chargemaster, our preferred charging partner. The 3.6 kW Chargemaster Homecharge allows you to charge your electric car in just 2 hours.¹

Key benefits of the 3.6 kW Chargemaster Homecharge:

60% faster than a 13 A plug¹

Ergonomic styling, robust and weatherproof, for indoor or outdoor use

Designed for users with a domestic address and off-street parking

POLAR plus network card providing access to the UK's largest public charging infrastructure, with over 5,000 charging points

Three year product warranty included

HOMECHARGE 3.6 kW: **£779*** inc. VAT & installation



Simple steps to Chargemaster Homecharge:

- Fill in the application form at www.chargemasterplc.com
- Chargemaster will contact you to discuss your household electrics and arrange for specialist installation within two weeks

For further information please contact:

mercedes-benz@chargemasterplc.com or call 01582 399 412



Chargemaster is the UK's leading provider of domestic charging solutions, trusted by more than 50,000 users across the UK and Europe. Manufactured in the UK, Chargemaster offers a wide range of installation services, choice of power output, and flexible data and security options to suit your requirements.



> View offers



Book a > test drive > AMG test drive





> Find a Retailer





> View the Range Guide

Follow us on the following social media channels:

 facebook.com/mercedesbenzuk

 twitter.com/mercedesbenzuk

 youtube.com/mercedesbenzuk

 instagram.com/mercedesbenzuk

Effective from 11 July 2017 Production. Information correct at time of publication.

Prices and specifications are subject to change without prior notice.

MBW166PL/0717

Mercedes-Benz Cars UK Limited, Tongwell, Milton Keynes, MK15 8BA. Company number 2448457 www.mercedes-benz.co.uk