

The new
Amarok



Commercial
Vehicles



100% pickup. 100% premium.

Uncompromising off-road and on tarmac. The new Amarok combines everything you'd expect from an exclusive, premium-class all-rounder, with a stylish and purposeful design, robust construction and plenty of power.

New 3.0 litre V6 TDI engines.

Delivering power of up to 224PS with up to 550Nm of torque.

Powerful drive combination.

Permanent 4MOTION all-wheel drive with 8-speed automatic gearbox.

High levels of safety whatever the terrain.

Outstanding Off-road ABS and Hill Descent Control.

Perfect for off-road.

Permanent and Selectable¹ 4MOTION all-wheel drive.

Highly economical.

BlueMotion Technology including Start/Stop system.

Optimised safety.

Features Automatic Post-Collision Braking System, 17" braking system to the front and 16" braking system at the rear.²

New exterior design.

Revised exterior styling to front, new chrome style pack³ and attractive new 19" alloy wheels.⁴

New interior design.

Redesigned dashboard and supportive new ergoComfort 14-way seats.⁵

Modern infotainment systems.

New radio and navigation systems, along with mobile online services.

Practical load platform.

A wide load platform and accessible tailgate help to make loading and unloading as straight-forward as possible.

High towing capacity and payloads.

Towing capacity of up to 3.1 tonne combined with high payloads of up to 1,154kg.

Rock 'n' Road.



1) Selectable 4MOTION will be introduced at a later date. 2) Only available on 204PS and 224PS engines. 3) Available as an option on Trendline and Highline. 4) 19" Milford alloy wheels are standard on Aventura, while 19" Cantera alloy wheels are available as an option on Highline. 5) Available as an option on Highline.

Life 'n' Style.



A cab with premium equipment.

The new Amarok provides a convincing combination of space, comfort and numerous extras. All trimlines feature a new dashboard with decorative trim and an A4 format storage compartment. The latest infotainment systems ensure that every journey is a pleasure.

Please note: Image includes optional equipment that does not reflect current UK specification, or is available at extra cost.



01 New ergoComfort seats with 14-way adjustment. Available as an option on Highline, both front seats can be conveniently electrically adjusted in twelve settings or manually adjusted in two settings.

02 Composition Media DAB+ radio system. Standard on Trendline and Highline, the Composition Media DAB+ radio system features a touch-screen size of 6.33" with proximity sensor and six speakers. App-Connect is also included as standard.



03 Discover Media satellite navigation system. Standard on Aventura, the Discover Media satellite navigation system builds on the strengths of the Composition Media DAB+ radio system by adding satellite navigation and an SD card with European map data. Car-Net Guide & Inform can be activated at any time and used for free for three years.

12v sockets (not illustrated). Up to four 12v sockets are located throughout the vehicle across the dashboard, centre console and the second row of seats.

Mobile online services.

App-Connect.¹

Download special Volkswagen apps to your mobile or tablet, such as 'Shared Audio', 'Drive & Track', 'Call & Remind', 'My Guide' and 'Sound Journey' to make every journey more pleasant and interesting. The apps provide you with information about your driving behaviour, guide you to parking spaces or make suggestions about exciting destinations – all taking into account the weather and traffic data.



Optional Car-Net Guide & Inform.²

Use Car-Net Guide & Inform to enhance your vehicle's optional Discover Media navigation system with online-based, up-to-date information services for greater convenience when travelling. For example, utilise real-time traffic information to avoid a sudden traffic jam, or refuel at the cheapest petrol station, or find a free parking space without the need for an infuriating search. Car-Net Guide & Inform helps you to reach your destination quickly and with the least amount of stress.



1) App-Connect is only available in conjunction with the Composition Media DAB+ radio system or the Discover Media satellite navigation system. App-Connect comprises MirrorLink™, CarPlay™ and Android Auto™. The availability of these technologies can vary depending on the country in question. Please note that App-Connect is not currently supported by all mobile telephones on the market. Volkswagen is working closely with major smartphone producers to promote broader compatibility for App-Connect.

2) Available as an option, mobile online services (Car-Net) is only in conjunction with the Discover Media satellite navigation system. You will also require a mobile device that is capable of acting as a mobile wireless hotspot. Car-Net services are only available with an existing mobile network contract or one to be agreed separately for this purpose between you and your mobile phone network provider and only within the respective mobile phone network coverage. Depending on your mobile phone tariff, receiving data from the internet may incur additional charges, particularly if you are using the phone abroad. Due to the amount of data needed when using Car-Net services, we strongly recommend signing-up to a data flat rate with your mobile phone provider. Use of Car-Net is governed in a separate agreement with Volkswagen AG online. After taking possession of the vehicle, you have 90 days in which to register the vehicle at www.volkswagen-commercial-vehicles-carnet.com. The availability of Car-Net services may vary depending on the country in question. These services are available for the duration of the contract term agreed and may be subject to changes in terms of content during the contract period. More detailed information on Car-Net is available at www.volkswagen-commercial-vehicles-carnet.com and from your Volkswagen Commercial Vehicles Van Centre. Contact your mobile network provider for information regarding your mobile network tariff.

Power 'n' Efficiency.

New 3.0 litre V6 TDI engines with up to 224PS and 550Nm of torque.

The new Amarok's range of new 3.0 litre V6 TDI engines have more than enough power and torque in reserve to shift heavy loads with ease and tackle the most demanding terrain.

8-speed automatic gearbox.



The new Amarok is the only vehicle to offer the unique combination of a slick 8-speed automatic gearbox and Permanent 4MOTION all-wheel drive. The first gear is optimised for off-road use and pulling-away when towing, while the eighth gear is designed as an overdrive to reduce revs, maximise fuel-efficiency and give relaxed cruising at motorway speeds.

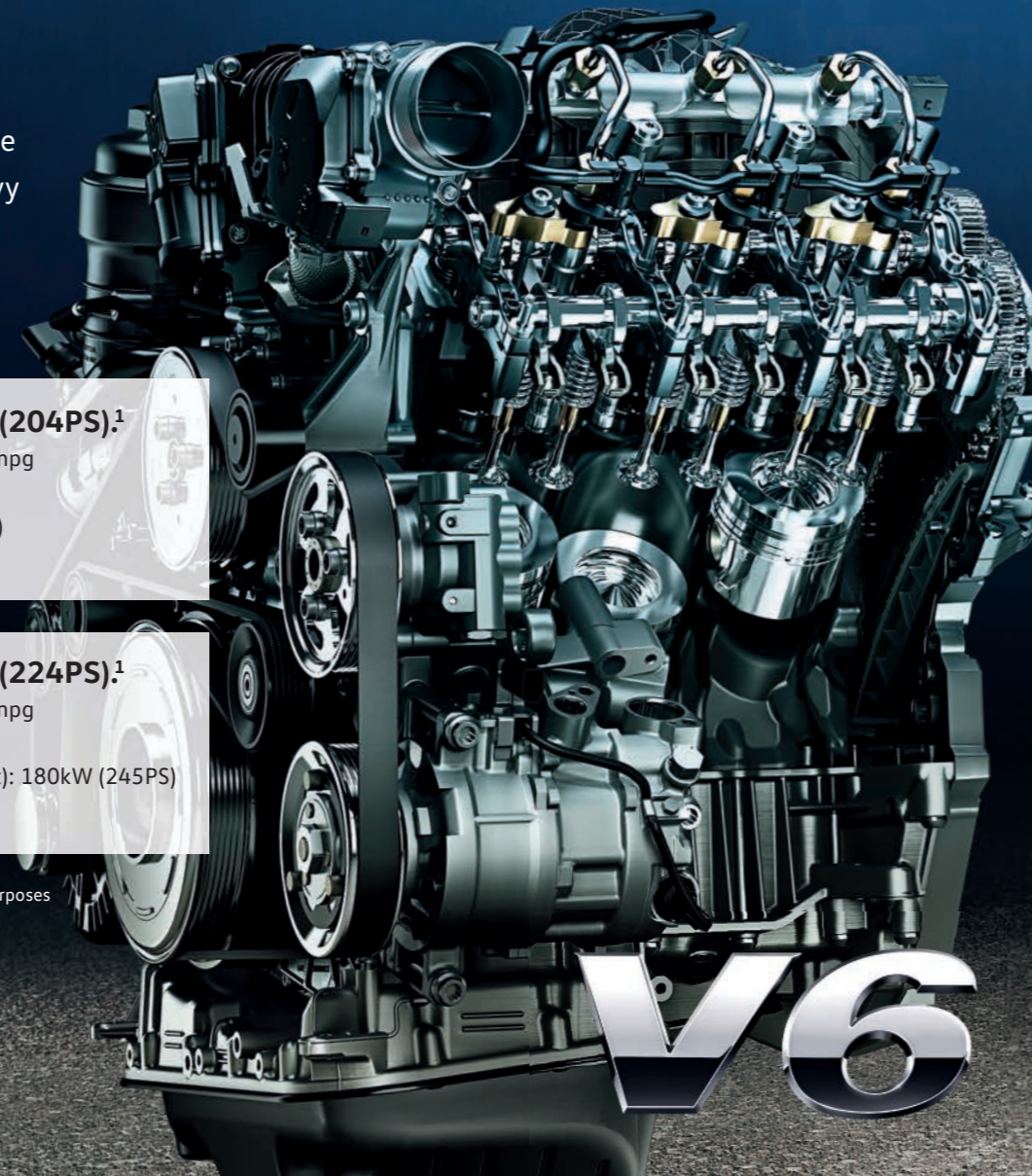
3.0 litre V6 TDI 150kW (204PS)¹

Average fuel consumption: 36.2mpg
CO₂ emission: from 203g/km
Maximum power: 150kW (204PS)
Maximum torque: 500Nm

3.0 litre V6 TDI 165kW (224PS)¹

Average fuel consumption: 36.2mpg
CO₂ emission: from 204g/km
Maximum power (with overboost): 180kW (245PS)
Maximum torque: 550Nm

¹ Standard EU test figures for comparative purposes only and may not reflect real driving results. For full mpg and CO₂ data refer to page 16.



On 'n' Off-road.

Gripping performance.

The new Amarok delivers optimum grip, safety and comfort on virtually any surface. A go-anywhere attitude combines high ground clearance and superb body stability with our proven 4MOTION all-wheel drive system.



Permanent 4MOTION all-wheel drive.



01



02



03

01 Permanent 4MOTION all-wheel drive.

This 4x4 system with a self-locking Torsen middle differential provides a balanced 40:60 distribution for all on-road and off-road tasks.¹

02 50° side angle.

The Amarok's broad wheelbase provides enormous stability, even when driving along slopes with up to a 50° incline.^{2,3}

03 45° climbing ability.

The new Amarok manages to climb inclines of up to 45°.²

¹ Power distribution varies depending on the surface. ² Figures may vary depending on factors such as optional equipment, accessories and engine. Figures are based on a stationary vehicle and may vary depending on the surface. ³ Maximum incline is 49.7° on the near-side and 50.8° on the off-side.

Load 'n' More.



01 Wide and flat tailgate. The standard tailgate sits just 780mm from the ground. When folded flat, it's able to support weights of up to 200kg and serve as a load bed extension.

Load area protection (not illustrated). An optional Anthracite-coloured UV-resistant load surface protector provides excellent protection against bumps, scuffs and spillages.

12v sockets (not illustrated). A handy 12v socket is located on the inside of the near-side panel.

02 A spacious load area. With 1,222mm between the wheelarches, the new Amarok's load bed can accommodate Euro pallets with ease. The bed features a 2.52m² load surface, while 508mm side panels and load-lashing rings help to keep your cargo in place.



02



Safety systems.

03 Automatic Post-Collision Braking System (MCB). Fitted as standard, the Automatic Post-Collision Braking System triggers braking after a collision, with the aim of preventing secondary collisions.

Electronic Stabilisation Programme (ESP) (not illustrated). Fitted as standard, ESP is designed to prevent the vehicle from swerving and improve stability in critical driving conditions by controlled and targeted intervention in the brake and engine management.

17" braking system to the front and 16" braking system at the rear (not illustrated). Fitted as standard to models with the 204PS or 224PS engine.



Driver assistance systems.

04 Fog lights with integrated cornering lights. Standard on Aventura and available as an option on Trendline and Highline. When turning, these aid the driver in spotting obstacles by illuminating curves and bends in the road ahead.

Hill Hold Assist (not illustrated). Fitted as standard, Hill Hold Assist helps to prevent your vehicle from rolling back when pulling away on an incline. The hold operates for approximately two seconds.

Hill Descent Control (not illustrated). Fitted as standard, Hill Descent Control automatically controls the braking to prevent unintentional acceleration on extreme descents.



05 Parking sensor display. Standard on Highline and Aventura.

06 Rear-view camera display. Standard on Highline and Aventura.

Cruise control (not illustrated). Fitted as standard, cruise control maintains the selected speed, or limits the top speed to a value set by the driver.

Tyre pressure monitoring (not illustrated). The optional tyre pressure monitoring display activates a warning signal to highlight significant changes in tyre pressure. This lets the driver know that the tyre pressure should be checked as soon as possible.





Standard equipment for the new Amarok Trendline.

Audio and communications.

App-Connect.
 Bluetooth® mobile phone preparation.
 Composition Media DAB+ radio system with 6.33" touch-screen, voice enhancer, single MP3 compatible CD drive, SD card slot, USB interface, AUX-IN socket and six speakers.
 Multi-function display 'plus'.
 Voice Control.

Interior.

Carpet floor covering in cab and rear passenger area.
 Centre console with cover for storage compartment.
 Climatronic air conditioning.
 Cruise control.
 Cup holder in cab.
 Decorative inserts in Deep Inox.
 Driver and passenger seats with armrests and height adjustment.
 Dust and pollen filter.

Electric windows.
 Heater air vents in cab and rear passenger area.
 Kemisu fabric upholstery.
 Leather multi-function steering wheel, gearknob, gaiter and handbrake handle.
 Moulded headlining.
 Servotronic speed-related variable steering.
 Smoking pack with individually mountable ashtray.
 Storage compartments under front seats.
 Three rear headrests.

Three-seat bench in rear row with ISOFIX mountings to outer seats.
 Twin sun visors with vanity mirrors and airbag label on passenger sun visor.
 Windscreen wiper intermittent control, including manual dimming mirror.
 12v sockets x 3.

Exterior.

Black rear bumper with integrated step.
 Body-coloured door mirrors, handles and front bumper with single chrome detailing in upper grille.
 Centre high-mounted brake light.
 Daytime running lights.
 Door mirrors – electrically heated and adjustable.
 Driver and front passenger seats with height adjustment.
 Four load-lashing rings.
 Front and rear fog lights.
 Halogen twin headlights.
 Headlight range adjustment.

Heated rear window.
 Heat insulating glass.
 Licence plate lighting.
 Lockable tailgate.
 Rear side windows and rear window in privacy glass.
 Trailer hitch preparation.
 Wide wheel arch extensions.

Safety and security.

Airbags – driver and front passenger (with passenger deactivation), front side and curtain head protection to front and second row.
 Anti-lock Braking System (ABS).
 Automatic Post-Collision Braking System.
 Electronic Stabilisation Programme (ESP).
 Hill Hold Assist.
 Remote central locking with interior locking switch and two remote folding keys.
 Seatbelt warning when not engaged.
 Thatcham Category 1 approved alarm and immobiliser with back-up horn, tilt sensor and tow-away protection.
 17" braking system to the front and 16" braking system at the rear.

Wheels and tyres.

17" x 8J Posadas alloy wheels.
 245/65 R17 111T tyres.
 Full size steel spare wheel.
 Lockable wheel bolts.
 Tool kit and jack.

Highline equipment in addition to Trendline.

Interior.

Decorative inserts in Light Silver.
 Heated driver and front passenger seats with individual control.
 Vienna leather upholstery.
 12v sockets x 4, including 1 in the cargo area.

Exterior.

Additional exterior dust seals.
 Bi-xenon headlamps with separate LED daytime running lights.
 Chrome rear bumper with integrated step.
 Darkened rear tail light lenses.
 Front and rear parking sensors with rear-view camera.
 Front grille with two chrome detailing strips and six vertical chrome ribs.
 Heated washer nozzles.
 LED licence plate lighting.
 Side bars in stainless steel.
 Washer fluid level indicator.

Wheels and tyres.

18" x 7.5J Manaus alloy wheels.
 255/60 R18 112T tyres.

Equipment.

Aventura equipment in addition to Highline.

Audio and communications.

Discover Media DAB+ satellite navigation system with 6.33" touch-screen, voice enhancer, single MP3 compatible CD drive, SD card slot, USB interface, AUX-IN socket and six speakers.

Exterior.

Aventura badging.
 Front fog lights with cornering lights.
 Load compartment protective covering (in lieu of side bars in stainless steel).
 Ravenna Blue metallic paint.

Wheels and tyres.

19" x 8J Milford alloy wheels.
 255/55 R19 tyres.
 Space saver steel spare wheel.

Paint 'n' Upholstery.

Paint.

- 01 Candy White solid.
- 02 Reflex Silver metallic.¹
- 03 Mojave Beige metallic.¹
- 04 Indium Grey metallic.¹
- 05 Chestnut Brown metallic.¹
- 06 Starlight Blue metallic.¹
- 07 Deep Black pearl effect.¹
- 08 Indium Grey matt.¹
- 09 Ravenna Blue metallic.²



Upholstery.

- 10 Kemisu fabric in Palladium Grey.³
- 11 Alcantara® in Titanium Black.⁴
- 12 Vienna leather in Palladium Grey.⁵

Alloy wheels.

- 13 Posadas 17" x 8J with 245/65 R17 tyres.³
- 14 Albany 17" x 8J with 245/65 R17 tyres.⁴
- 15 Manaus 18" x 7.5J with 255/60 R18 tyres.⁶
- 16 Cantera 19" x 8J with 255/55 R19 tyres.⁷
- 17 Milford 19" x 8J with 255/55 R19 tyres.²



Please note: Not all paint and upholstery combinations can be ordered together and in some instances certain combinations may incur extra cost. Not all paint finishes may be available for every trimline. Images include optional equipment and accessories that do not reflect current UK specification, or are available at extra cost. Please check details and availability with your Volkswagen Van Centre at the time of ordering.

1) Available at extra cost. 2) Exclusively on Aventura. 3) Standard on Trendline. 4) Available as an option on Trendline. 5) Standard on Highline and Aventura. Two-tone Noisette Brown/Titanium Black Vienna leather is also available on Highline. 6) Standard on Highline. 7) Available as an option on Highline.

Fuel consumption, performance and emissions.

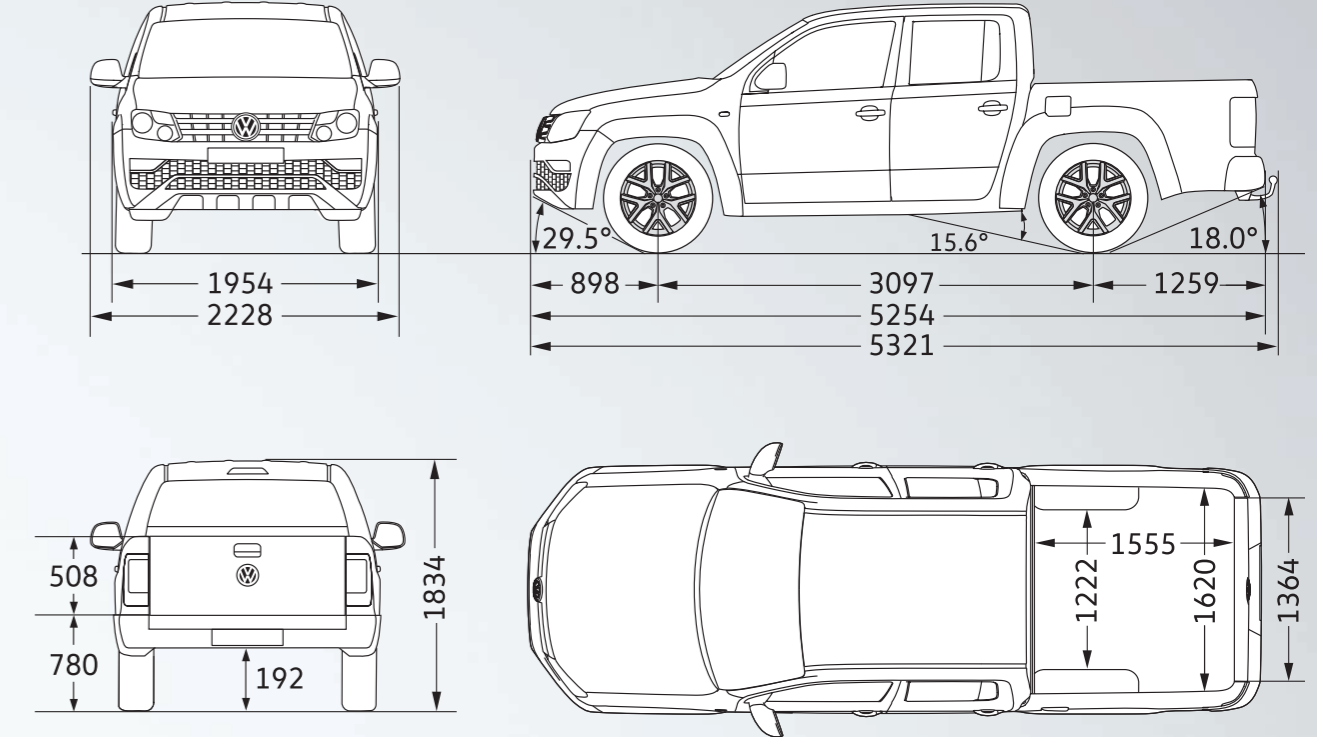
Engine/transmission	Urban mpg (ltr/100km) ¹	Extra-urban mpg (ltr/100km) ¹	Combined mpg (ltr/100km) ¹	Acceleration 0-62 mph seconds	Top speed (where law permits) mph	CO ₂ emissions g/km ¹
Trendline.						
3.0 V6 TDI 204PS EU6 BMT Permanent 4MOTION 8-speed automatic	32.8 (8.6)	38.7 (7.3)	36.2 (7.8)	9.1	114	203
Highline.						
3.0 V6 TDI 204PS EU6 BMT Permanent 4MOTION 8-speed automatic	32.8 (8.6)	38.7 (7.3)	36.2 (7.8)	9.1	114	203
3.0 V6 TDI 224PS EU6 BMT Permanent 4MOTION 8-speed automatic	32.8 (8.6)	38.7 (7.3)	36.2 (7.8)	8.0	119	204
Aventura.						
3.0 V6 TDI 224PS EU6 BMT Permanent 4MOTION 8-speed automatic	32.8 (8.6)	38.7 (7.3)	36.2 (7.8)	8.0	119	204

Weights.

Engine/transmission	Gross vehicle weight kg	Axle load limit front/rear kg	Trailer weight braked 12%/ unbraked kg	Gross train weight kg	Unladen weight ² kg	Payload ³ kg
Trendline.						
3.0 V6 TDI 204PS EU6 BMT Permanent 4MOTION 8-speed automatic	3,290	1,445 / 1,860	3,100 / 750	6,000	2,136	1,154
Highline.						
3.0 V6 TDI 204PS EU6 BMT Permanent 4MOTION 8-speed automatic	3,290	1,445 / 1,860	3,100 / 750	6,000	2,178	1,112
3.0 V6 TDI 224PS EU6 BMT Permanent 4MOTION 8-speed automatic	3,290	1,445 / 1,860	3,100 / 750	6,000	2,178	1,112
Aventura.						
3.0 V6 TDI 224PS EU6 BMT Permanent 4MOTION 8-speed automatic	3,290	1,445 / 1,860	3,100 / 750	6,000	2,176	1,114

Dimensions.

Wheelbase	3,097	
Length	5,254	
Width	1,954	
Load area	length	1,555
	width	1,620
	width between wheel arches	1,222
	load area	2.52m ²
Rear tailgate	width	1,364
	height	508
Ground clearance	192	
Wading depth	500	
Turning circle (wall to wall)	12.95m	



Please note: Vehicle drawings are not to scale. All dimensions are in millimetres (mm), unless otherwise stated. The height measurements listed may vary by ± 50mm depending on model and equipment fitted.

1) Fuel consumption and CO₂ figures are obtained under standardised EU test conditions. This allows a direct comparison between different manufacturer models but may not represent the actual fuel consumption achieved in 'real world' driving conditions. In addition to the fuel efficiency of a vehicle, driving behaviour as well as other non-technical factors (such as environmental conditions, including weather and traffic) play a role in determining a vehicle's fuel consumption and CO₂ emissions. More information is available at www.dft.gov.uk/vca. Other factors including trimline, extra equipment, options and accessories (wheels, tyres, etc.) may change vehicle parameters such as the weight, rolling resistance of the tyres and the aerodynamics and thus influence the fuel consumption, CO₂ emissions and driving performance values.

2) Unladen weight figures are calculated with approximately 90% fuel load and a full supply of oil, water and other operational fluids and the equipment with which the vehicle is fitted as standard; but without the driver, crew or any other payload; and without any options or accessories not fitted as standard. Gross vehicle weight is the maximum permitted weight of the vehicle (with a full load, driver and any crew etc.). Payload = gross vehicle weight minus unladen weight.

3) All weights and payloads are for vehicles with standard specification and are subject to normal manufacturing tolerances. The addition of factory options or Volkswagen Van Centre fitted accessories will increase unladen weight and reduce payload accordingly. For further information about the impact of options and accessories on the payload please contact your Volkswagen Van Centre.

Add more.

100% style. 100% Volkswagen.

Add extra style, protection and practicality to your Amarok, while still keeping it 100% Volkswagen. Our range of rugged and long-lasting **Add Ons** are a perfect match for fit and allow you to truly customise your vehicle. Whether you want added technology or need extra flexibility with a sturdy hardtop or a tow bar, there's something in our **Add Ons** range for you. And remember, most **Add Ons** include a two-year warranty for added peace-of-mind.

Added security.

- 01 Roll-and-lock cover.
- 02 Truckman grand hardtop.
- 03 Hard tonneau cover, 3-piece.
Also available as a 1-piece cover.
- 04 Truckman utility hardtop.
- 05 Commercial hardtop.



Added protection.

- 08 Plastic load liner. Sturdy, tough and designed to perfectly fit the load area.¹
- 09 Carpet floor mats. Heavy-duty rubber mats are also available.
- 10 Towbar and 13-pin electrics.
- 11 Front and rear mudflaps.



Added sport and style.

- 12 Aragonit alloy wheels, 19" x 8J. Available in Black or Silver.
- 13 Rear styling bars. Designed to allow no restrictions to your load area and compatible with the 3-piece hard tonneau cover. Available in powder coated Black or polished stainless steel.
- 14 Side bars with rubber step inserts. Available in powder coated Black or polished stainless steel.

Added technology.

- 06 Kenwood driver safety camera.
- 07 Kenwood DAB multimedia and navigation system.¹

Want to discover more?

Pop into your nearest Van Centre, or call **0800 717 131**.

¹) Available for Trendline and Highline only.

VWVY17AMPSF

This brochure supersedes all previous publications.

Issue: May 2017

www.volkswagen-vans.co.uk



Please note: Print processes do not allow exact reproduction of the paint and upholstery colours. Some of the vehicles shown are European specification and may be fitted with optional equipment or accessories that are available at extra cost, or do not reflect current specification. All data and specifications are in accordance with information available at the time of going to print and are subject to change without notice. Vehicles not currently in UK stock and customer order vehicles may take a number of weeks for delivery. Certain combinations of vehicle specifications and factory-fitted extras are not compatible and therefore all orders received are subject to confirmation. Models, factory fitted-options and paint and upholstery options are subject to availability. Please check details and availability with an authorised Volkswagen Van Centre at the time of ordering.