



Volkswagen

The Polo





Model shown is Polo Match Edition with optional Blue Silk metallic paint.

REASSURINGLY BUILT. IMPRESSIVELY INTELLIGENT.

Driving the Polo has never been easier, thanks to a wealth of innovative technology. With on-board assistants designed to monitor the road, alert the driver and even intervene in critical driving situations, it's the most intelligent Polo to date. And certainly delivers more innovation, practicality and comfort than ever before.

CONTENTS.

| | |
|-------------------------|----|
| Exterior | 04 |
| Wheels | 06 |
| Assistance systems | 08 |
| Multimedia | 16 |
| Models | 18 |
| The Polo S and S A/C | 20 |
| The Polo Match Edition | 21 |
| The Polo beats | 22 |
| The Polo SEL | 26 |
| The Polo R-Line | 28 |
| The Polo BlueMotion | 30 |
| The Polo BlueGT | 32 |
| The Polo GTI | 34 |
| Options | 38 |
| Think Blue | 42 |
| Paint | 44 |
| Upholstery | 45 |
| Combinations | 46 |
| Technical specification | 50 |
| Technology | 53 |
| Dimensions | 54 |
| Volkswagen service | 56 |

Front cover model shown is Polo SEL with optional 17" 'Mirabeau' alloy wheels, Light & Sight pack and Blue Silk metallic paint.



Model shown is Polo SEL with optional 17" 'Mirabeau' alloy wheels and Blue Silk metallic paint.

No doubt about it, the Polo is sporty, stylish and fun. With its sleek body-coloured bumpers, powerful headlights, daytime running lights and chrome detailing on the grille, the exterior is unmistakably Volkswagen. Special touches include door mirrors with integrated indicators, rear light clusters and a choice of eye-catching alloy wheels, ensuring it's as individual, impressive and incomparable as ever. What's even better is that you can enjoy it more than ever thanks to its impressive array of equipment and driver assistance systems.

SPORTY, STYLISH AND ABOVE ALL, DEPENDABLE.

01 THE REAR BUMPER integrates seamlessly into the bodylines, while 'Cherry red' reflectors add a sporty accent.

02 THE FRONT GRILLE incorporates a chrome trimmed louvre which flows seamlessly into the headlights, adding a touch of class.

03 THE REAR LIGHT CLUSTER incorporates the brake light, rear fog light and reversing light, enhancing the sporty rear styling.



Model shown is Polo SEL with optional 17" 'Mirabeau' alloy wheels and Blue Silk metallic paint.



Models shown feature optional Blue Silk metallic paint.

WHEELS.

It's all about personal taste. A choice of eye-catching alloy wheels allows you to add a touch of individuality to your Polo.



'STEEL'

5J x 14 inch steel wheels with 175/70 R14 tyres and wheel trims. Standard on S and S A/C models.



'STRATFORD'

6J x 15 inch alloy wheels with 185/60 R15 tyres. Standard on Match Edition models.



'KNIGHT'

7J x 16 inch alloy wheels with 215/45 R16 tyres. Standard on beats models. Optional on Match Edition models.



'RIVAZZA'

7J x 16 inch alloy wheels with 215/45 R16 tyres. Standard on SEL models.



'ESTRADA'

6J x 15 inch alloy wheels with 185/60 R15 tyres. Optional on S and S A/C models.



'KNIGHT WHITE'

7J x 16 inch alloy wheels with 215/45 R16 tyres. No cost option on beats models.



'SALVADOR'

7J x 16 inch alloy wheels with 215/45 R16 tyres. Standard on R-Line models.



'BUENOS AIRES'

5½J x 15 inch alloy wheels with 185/60 R15 low rolling resistance tyres. Standard on BlueMotion models.



'MONTANI'

7J x 17 inch alloy wheels with 215/40 R17 low rolling resistance tyres. Standard on BlueGT models.



'PARABOLICA'

7½J x 17 inch alloy wheels with 215/40 R17 tyres. Standard on GTI models.



'MONTANI ANTHRACITE'

7J x 17 inch alloy wheels with 215/40 R17 low rolling resistance tyres. No cost option on BlueGT models.



'SERRON'

7J x 17 inch alloy wheels with 215/40 R17 tyres. Optional on GTI models.



'MIRABEAU'

7J x 17 inch alloy wheels with 215/40 R17 tyres. Optional on SEL models.

Model features optional 17" 'Mirabeau' alloy wheels and Blue Silk metallic paint.

SO MUCH TECHNOLOGY AT YOUR FINGERTIPS.



AUTO

LIGHT & SIGHT PACK

Automatic headlights with coming/leaving home lighting function operate using a dusk sensor and can be set to light the way to and from your vehicle for an adjustable length of time. The automatic dimming interior rear-view mirror reduces dazzle from vehicles behind, while the rain sensor automatically activates and regulates the speed of the windscreen wipers according to the amount of rainfall.



ADAPTIVE CRUISE CONTROL (ACC)

Maintains a set distance to the vehicle in front, automatically accelerating and braking as necessary.



'FRONT ASSIST' WITH CITY EMERGENCY BRAKING SYSTEM

Monitors the traffic situation in front of your car, warning you when you get too close to a vehicle and even boosts brake pressure to help to try and avoid a collision.



CRUISE CONTROL

At speeds of over 19mph, cruise control will take the strain out of your journey by maintaining your chosen speed within national speed limits, so you can keep your eyes on the road, not the speedometer.



START/STOP FUNCTION

Saves fuel and helps to reduce emissions by switching off the engine when stationary and in neutral, then automatically reactivating the engine when pulling away.



TRACTION CONTROL (ASR)

Helps prevent wheel spin by utilising the ABS system.

DRIVER ALERT SYSTEM

Monitors driving behaviour and recommends when you need a break.



REAR-VIEW CAMERA

Helps you reverse park by displaying a clear view behind your vehicle via the audio system's display.

REAR VIEW

AUTOMATIC POST-COLLISION BRAKING SYSTEM

Initiates secondary braking operation after an impact to help to try and avoid a secondary collision.

ESC

PARKING SENSORS

Warns you of potential obstacles when parking via audible and visual signals.



ELECTRONIC DIFFERENTIAL LOCK (EDL)

Improves traction and handling, especially on bends.



ANTI-LOCK BRAKING SYSTEM (ABS)

Helps maintain traction with the road surface, by helping to prevent the wheels from locking and skidding.

ABS

WHO SAYS YOU NEED EYES IN THE BACK OF YOUR HEAD?



REAR-VIEW CAMERA

The rear-view reversing camera helps to make parking easier by emitting audible signals as well as displaying the area behind the vehicle on the audio system or optional navigation system's display. Additional reference lines help you to line up your Polo with the parking space, taking a little more stress out of parking. Optional on Match Edition, beats, SEL, R-Line, BlueMotion and BlueGT models.

Image shown features optional Discover navigation touch-screen navigation/radio system.
Rear-view camera must be specified in conjunction with parking sensors, front and rear on BlueMotion and BlueGT models.



Model shown is Polo SEL with optional 17" 'Mirabeau' alloy wheels, rear-view camera and Blue Silk metallic paint.



Model shown is Polo SEL with optional 17" 'Mirabeau' alloy wheels, Light & Sight pack and Blue Silk metallic paint.

KEEPS ITS DISTANCE. SO YOU DON'T GET TOO CLOSE.



ADAPTIVE CRUISE CONTROL (ACC)
Adaptive Cruise Control (ACC) provides intelligent control of your driving speed by automatically adjusting acceleration and braking. Activated via the multifunction steering wheel, you can select a driving speed, and set your desired distance to the car in front. This clever system will then monitor and regulate the distance and speed accordingly. Optional on Match Edition, beats, SEL, BlueMotion and BlueGT models.

Please note: Adaptive Cruise Control (ACC) is not available with 1.0 litre 60 PS or 1.0 litre 75 PS engines.

STAYS ALERT NO MATTER WHAT.



Break is
recommended.

DRIVER ALERT SYSTEM

The Driver Alert system cleverly monitors your driving behaviour to alert you on longer journeys. As soon as it detects unusual driving patterns, such as lane deviation or erratic steering movements, or a long spell behind the wheel it recommends taking a break via visual and acoustic signals. Standard on Match Edition models and above.



Model shown is Polo SEL with optional 17" 'Mirabeau' alloy wheels, Light & Sight pack and Blue Silk metallic paint.

THE FUTURE OF INFOTAINMENT IS HERE.

Intuitive touch-screen displays and state-of-the-art technology ensure radio and navigation systems, are not only easy to operate, but provide all the journey information you need and recognise many external multimedia devices you may wish to connect.



01 COMPOSITION COLOUR SYSTEM with 5 inch colour touch-screen, an AUX-in socket for connection to an external multimedia source, such as an iPod or MP3 player, a DAB digital radio receiver, dash-mounted single CD player, SD card reader, music playback from MP3, WMA and AAC files, USB connectivity¹ and six speakers. It also features Bluetooth telephone and audio connection for compatible devices². Standard on S and S A/C models.

¹ Not compatible with Apple products, compatibility with other devices may vary, please contact your authorised Volkswagen retailer for full details.
² Devices must be Bluetooth HFP (Hands Free Profile) compatible, please contact your authorised Volkswagen retailer for specific device compatibility.
³ The use of 'Think Blue. Trainer.' on a smartphone is only possible in conjunction with standard or optional Car-Net 'App-Connect'.
 Volkswagen Apps are only operable in conjunction with compatible smartphones. Please see www.volkswagen.co.uk to check smartphone compatibility.
 Usage of certified apps only while driving.
⁴ Only operable in conjunction with compatible smartphones including iPhone 5, 6 and 7. Display and operation of certified apps including audio and voice control (if supported by the app). Usage of certified apps only while driving. Please see www.volkswagen.co.uk to check smartphone compatibility.



02 COMPOSITION MEDIA SYSTEM 6.5 inch colour touch-screen with proximity sensor, an MDI (Multi Device Interface) via USB connection for connectivity to an external multimedia source (compatible products only), title and cover art display, glovebox-mounted CD player and six speakers. The media system also includes 'Think Blue. Trainer.'³ – providing driver tips and journey analysis, Bluetooth telephone and audio connection for two compatible devices² at the same time and SMS functionality, allowing you to read, compose and send SMS messages using the touch-screen display when your Polo is stationary (compatible Android smartphones only). Standard on Match Edition models and above.



03 CAR-NET 'APP-CONNECT'⁴ allows you to integrate a smartphone with your Polo by allowing 'mirroring' of the display on the infotainment touch-screen via USB connection. It uses the combined functionality of Apple 'CarPlay', Google 'Android Auto' and 'MirrorLink'TM to replicate the smartphone display, allowing operation of certified apps including audio and voice control (if supported by the app). Please note, there is usage of only certified apps while driving. Standard on Match Edition and beats models. Optional on SEL, R-Line, BlueMotion, BlueGT and GTI models.



04 DISCOVER NAVIGATION TOUCH-SCREEN NAVIGATION/RADIO SYSTEM WITH CAR-NET 'GUIDE AND INFORM'¹ with 6.5 inch colour touch-screen control for navigation, CD and radio functions, is preloaded with European navigation data, 2D/2.5D map view, three calculated routes: Fast, Short and Eco, dynamic navigation based on TMC+, branded points of interest and Speed Limit Display¹. SMS functionality (compatible Android smartphones only) – read, compose and send SMS messages using touch-screen display when your Polo is stationary. The touch-screen also features a proximity sensor which detects when your hand is approaching the screen and automatically adjusts the display, so it is ready for you to use. The navigation/radio system includes 3-years Car-Net 'Guide and Inform'² online access to a range of useful information such as traffic, fuel pricing, parking space availability, weather and news feeds. Online navigation software updates enable you to download the latest map data to keep you up-to-date. Optional on Match Edition models and above.

¹ Speed Limit Display only reflects national speed limits and does not show temporary speed limit restrictions, or where permanent changes to speed limits are made in-between map updates.
² Car-Net 'Guide and Inform' services are accessed via a compatible mobile device. Please see www.volkswagen.co.uk for more information. The use of 'Guide and Inform' services entails exchanging large volumes of data. As such, we strongly recommend that you sign-up for a flat rate data plan with your mobile network provider. After the initial 3-year Car-Net contract, an annual subscription is chargeable for the continuation of 'Guide and Inform' services.

LUXURIOUS, STYLISH AND WITH EVERYTHING CLOSE TO HAND.

You can sit back and relax in the Polo, even when you're driving. Why is that? Because everything you need in the well-equipped cabin is right where you'd expect it to be. With height adjustable front sports seats*, contemporary décor and state-of-the-art equipment right at your fingertips, driving has never been easier. Or more fun.



* Available on R-Line, BlueGT and GTI models.

Interior shown is Polo SEL with optional Winter pack, electronic climate control air conditioning, alcantara upholstery, Light & Sight pack and Blue Silk metallic paint.



Interior shown is Polo S A/C with optional Blue Silk metallic paint.

YOU'VE ARRIVED. BEFORE YOU'VE EVEN SET OFF.

Comfortable, luxurious, stylish or sporty, it's up to you. With nine superbly equipped models to choose from, there's bound to be a Polo to suit you.

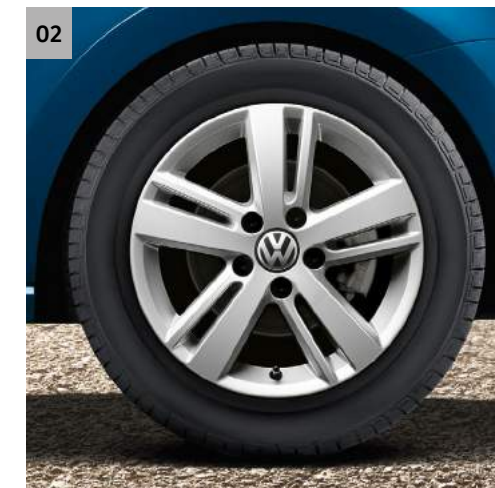
S AND S A/C The Polo S offers an impressive range of standard equipment. The body-coloured bumpers and black radiator grille with chrome trimmed louvre and halogen headlights set the scene, with vibrant 'Grip' cloth upholstery, 'Dark Rhodium Fine' decorative inlays and matt chrome door handles continuing the theme inside. The Composition Colour infotainment system offers a 5 inch colour touch-screen, an AUX-in socket for connection to an external multimedia source, such as an iPod or MP3 player, a DAB digital radio receiver, dash-mounted single CD player, SD card reader, music playback from MP3, WMA and AAC files, USB connectivity¹, Bluetooth telephone² and audio connection for compatible devices, and six speakers. While such features as electric front windows, driver's seat height adjustment, white instrument lighting and a three spoke steering wheel provide driving comfort. Other features include a heated rear windscreen with automatic switch-off, folding rear seat backrest, central locking, tyre pressure loss indicator, speed-sensitive power-assisted steering and hill hold function, with battery regeneration (recuperation – energy recovery during braking) and Start/Stop function also as standard. Specify the Polo S A/C and you get all the standard equipment of the S model, along with a manual air conditioning system for those heady summer days.



Interior shown is Polo Match Edition with optional electronic climate control air conditioning, and front centre armrest.



Decorative insert shown is for information purposes only.



01 COMPOSITION MEDIA SYSTEM 6.5 inch colour touch-screen with proximity sensor, 'App-Connect' allowing your smartphone display to be 'mirrored' on the infotainment touch-screen, an MDI (Multi Device Interface) via USB connection for connectivity to an external multimedia source – compatible products only, title and cover art display, glovebox-mounted CD player and six speakers.

02 'STRATFORD' 15 inch alloy wheels with 185/60 R15 tyres are exclusive to the Polo Match Edition.

03 CRUISE & PARK PACK features cruise control and front and rear ultrasonic and audible parking sensors with optical parking display via the vehicle's audio system.

MATCH EDITION The Polo Match Edition offers a greater range of impressive features, starting with eye-catching 'Stratford' 15 inch alloy wheels, rear tinted glass from the B-pillar backwards approximately 65% tinted, front fog lights with static cornering function, body-coloured door handles and door mirrors, and a chrome trimmed front air intake strip. Inside, contemporary 'Rail' cloth upholstery, matt chrome detailing and a leather-trimmed three-spoke multifunction steering wheel, gear knob and handbrake grip adds elegance and refinement, enhanced by air conditioning, a multifunction computer, alarm with interior protection, remote central locking, electric windows and electrically heated and adjustable door mirrors. The Composition Media system features a 6.5 inch colour touch-screen, an MDI (Multi Device Interface) via USB connection for connectivity to an external multimedia source – compatible products only, title and cover art display, a DAB digital radio receiver, SMS functionality allowing you to read, compose and send SMS messages using the touch-screen display when your Polo is stationary (compatible Android smartphones only), glovebox-mounted single CD player and six speakers. Car-Net 'App-Connect'⁴ allows you to integrate a smartphone by allowing 'mirroring' of the display on the infotainment touch-screen via USB connection using one of three interfaces: Apple 'CarPlay', Google 'Android Auto' or 'MirrorLink'[™]. It also includes 'Think Blue. Trainer.'³ – which provides driver tips and journey analysis. In addition, useful features include cruise control and ultrasonic parking sensors front and rear, with audible warning and an optical parking display via the vehicle's audio system's display, Driver Alert system, driver's and front passenger's comfort seats with height adjustment, a luggage compartment with variable load floor, reading lights front and rear, illuminated vanity mirrors and a split folding rear seat backrest. Finally, the Convenience pack, which comprises an automatic dimming interior rear-view mirror, automatic headlights on with coming/leaving home lighting function, rain sensor and electrically foldable door mirrors makes every journey just that little bit easier.

¹ Not compatible with Apple products, compatibility with other devices may vary, please contact your authorised Volkswagen retailer for full details.

² Devices must be Bluetooth HFP (Hands Free Profile) compatible, please contact your authorised Volkswagen retailer for specific device compatibility.

³ The use of 'Think Blue. Trainer.' on a smartphone is only possible in conjunction with standard or optional Car-Net 'App-Connect'. Volkswagen Apps are only operable in conjunction with compatible smartphones.

Please see www.volkswagen.co.uk to check smartphone compatibility. Usage of certified apps only while driving.

⁴ Only operable in conjunction with compatible smartphones including iPhone 5, 6 and 7. Display and operation of certified apps including audio and voice control (if supported by the app). Usage of certified apps only while driving.

Please see www.volkswagen.co.uk to check smartphone compatibility

Models shown feature optional Blue Silk metallic paint.

THE POLO BEATS. WITH BASS AND ATTITUDE.



Model shown is Polo beats with optional 16" 'Knight White' alloy wheels, electric glass sunroof and LED dipped and main beam headlights.

Music makes us happy, motivates us and defines special moments in our life. That's why Volkswagen have joined forces with Dr. Dre to bring you the Polo beats special edition. Featuring a state-of-the-art beats audio™ sound system with 300 watt output, eight channel amplifier, Digital Sound Processor (DSP) and seven high-end speakers, it delivers crystal clear sound with a pulsing bass exactly as it was conceived in the studio, turning every journey into a unique sound experience.



Model shown is Polo beats with optional 16" 'Knight White' alloy wheels, electric glass sunroof and LED dipped and main beam headlights.



Interior shown is Polo beats DSG with optional electronic climate control air conditioning and front centre armrest.

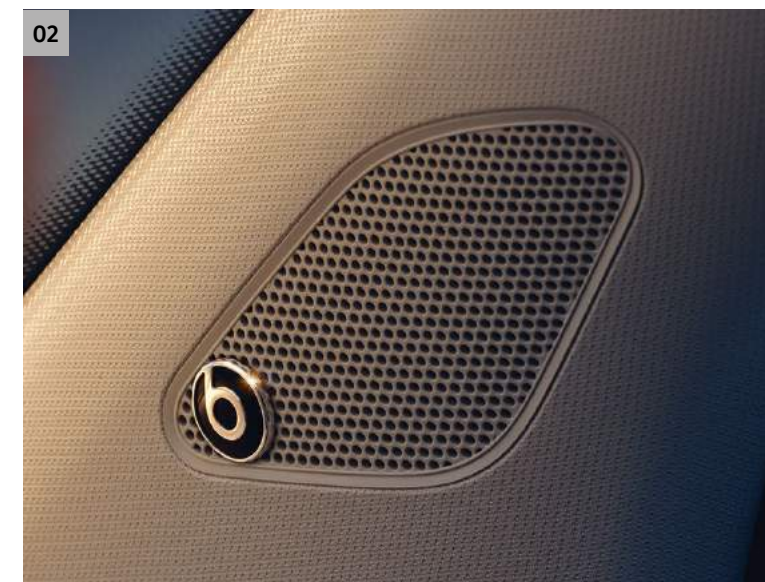
POLO BEATS The Polo beats is designed to be noticed, with eye-catching 'Flash Red' or 'Black' door mirrors, unique 'beats' decals on the side skirts, darkened rear light clusters and a 'High Gloss Black' radiator grille creating a distinct, contemporary style. Further impressive exterior modifications include 16 inch 'Knight' alloy wheels, unique 'beats' badging on the B-pillar and rear darkened windows approximately 65% tinted, giving a distinctive look that's edgy and fresh with real street appeal. The interior gets the full 'beats' treatment featuring 'beats' cloth seat centre sections with Alcantara side bolsters on the front sport seats, 'beats' logo on the backrests, leatherette door panels with chrome trim, 'Isaac Silver' trim on the centre console and air vent surrounds and LED footwell lighting. The 'beats' style continues with a leather trimmed three-spoke steering wheel, gear knob and handbrake grip with seat belts and carpet mats finished with contrast stitching. Finally, the Composition Media system with MDI (Multi Device Interface) provides connectivity to an external multimedia source via USB for compatible products to further enhance your audio experience as well as your driving enjoyment.



Interior shown is Polo beats with optional front centre armrest.

01 THE 'BEATS' LOGO features on the backrests of the front sports seats which are superbly finished in special 'beats' cloth centre sections with Alcantara side bolsters and edged in contrasting red stitching.

02 UNIQUE BEATS AUDIO™ SOUND SYSTEM lies at the heart of the Polo beats, with its 300 watt output, eight channel amplifier, Digital Sound Processor (DSP) and seven speakers, including two tweeters in the A-pillars, two woofers in the front doors, two broadband speakers in the rear and a subwoofer in the spare wheel well delivering refined treble and punchy bass tones.



03 CAR-NET 'APP-CONNECT'¹ allows you to integrate a smartphone with the Polo beats by allowing 'mirroring' of the display on the infotainment touch-screen via USB connection. It uses the combined functionality of Apple 'CarPlay', Google 'Android Auto' and 'MirrorLink™' to replicate the smartphone display, allowing operation of certified apps including audio and voice control (if supported by the app). Please note, there is usage of only certified apps while driving.

¹ Only operable in conjunction with compatible smartphones including iPhone 5, 6 and 7. Please see www.volkswagen.co.uk to check smartphone compatibility.



SEL If you're looking for a level of equipment that goes one step further, the Polo SEL is for you. From the outside, the SEL is equipped with stylish 'Rivazza' 16 inch alloy wheels, LED headlights for dipped and main beam including separate LED daytime running lights, headlight washers, LED rear number plate lights, front fog lights with static cornering function and rear tinted glass from the B-pillar backwards approximately 65% tinted, not to mention the body-coloured door handles and door mirrors, and chrome trimmed front air intake strip. Inside, the high specification continues, features including Composition Media system, multifunction computer, manual air conditioning and matt chrome detailing on the air vent surround, gear lever gaiter surround and handbrake grip button. The leather trimmed three-spoke multifunction steering wheel, gear knob and handbrake grip further enhance the impressive interior, and in addition, the SEL features a front centre armrest with storage compartment, cruise control and ultrasonic parking sensors front and rear, with audible warning and an optical parking display via the vehicle's audio system's display.



Interior shown is Polo SEL with optional Winter pack, electronic climate control air conditioning, alcantara upholstery and Blue Silk metallic paint.

Model shown is Polo SEL with optional 17" 'Mirabeau' alloy wheels, electric glass sunroof, Light & Sight pack and Blue Silk metallic paint.

THE POLO R-LINE. ADDING MORE STYLE TO THE SUBSTANCE.



Model shown is Polo R-Line with optional Pure White non-metallic paint.

POLO R-LINE The Polo R-Line builds on the impressive specification of the Polo SEL with unique styling touches inside and out. Externally, the deeper, sportier 'R-Line' design front and rear bumpers, radiator grille and side skirts with 16 inch 'Salvador' alloy wheels, unique 'R-Line' badging and rear tinted glass from the B-pillar backwards approximately 65% tinted add to the excitement of driving this car. Inside, unique 'R-Line' styling creates a sumptuous and sporty feel with front sport seats upholstered in contemporary 'Race' cloth with 'San Remo' microfibre side bolsters and 'R-Line' logo on head restraints, complemented by black rooflining and aluminium-look pedals to ensure a sporty driving experience. The R-Line multifunction three-spoke steering wheel with aluminium inserts and 'R-Line' logo is finished in leather with contrasting grey stitching, matching the leather trimmed gear knob and gear lever gaiter, while unique 'R-Line' door sill protectors complement the aluminium-look pedals. All combine to create an interior ambience that is both exclusive and inviting. Other features include LED headlights for dipped and main beam including separate LED daytime running lights, front fog lights with static cornering function, front centre armrest with storage compartment, electrically heated and adjustable door mirrors and front and rear parking sensors. This is R-Line refinement at its best.



Model shown is Polo R-Line with optional Pure White non-metallic paint.



Model shown is Polo BlueMotion with optional metallic paint.

BLUEMOTION The Polo BlueMotion offers improved levels of economy and emissions over previous generation Polo BlueMotion models, building on the specification of the Polo S with a great range of features and proving that energy efficiency doesn't have to be at the expense of luxury and comfort. Externally, the BlueMotion styling pack includes uniquely shaped front and rear bumpers and the distinctive radiator grille, creating a real sense of style, with side skirts and a rear roof spoiler helping create a more aerodynamic shape. 'Buenos Aires' 15 inch alloy wheels add a sporting touch along with the body-coloured door handles and door mirrors with integrated indicators, and front fog lights with static cornering function and not forgetting the unique 'BlueMotion' badging. The well-appointed interior features contemporary 'Link' upholstery and matt chrome detailing on the air vent surround, gear lever gaiter surround, handbrake grip button and internal door handles, creating a luxurious feel, enhanced by the leather trimmed three-spoke multifunction steering wheel, gear knob and handbrake grip. The Composition Media system features a 6.5 inch colour touch-screen, an MDI (Multi Device Interface) via USB connection for connectivity to an external multimedia source – compatible products only, title and cover art display, a DAB digital radio receiver, SMS functionality allowing you to read, compose and send SMS messages using the touch-screen display when the vehicle is stationary (compatible Android smartphones only), glovebox-mounted CD player and six speakers. It also includes 'Think Blue. Trainer.'¹ – which provides driver tips and journey analysis. Other luxuries include manual air conditioning, cruise control, electric front windows, front centre armrest with storage compartment, battery regeneration (recuperation – energy recovery during braking), visual gear change recommendation, Start/Stop function and multifunction computer displaying driving data, telephone operation and phone book.



Interior shown is Polo BlueMotion with optional electronic climate control air conditioning, Light & Sight pack and metallic paint.



01 UNIQUE 'BLUEMOTION' BADGING on the front grille and rear tailgate announces that you are driving one of the most energy-efficient cars in the Volkswagen range. Model shown features optional metallic paint.

02 THE REAR ROOF SPOILER is finished in the vehicle body colour, emphasising the dynamic rear design and sculpted sidelines, adding a touch of style. Model shown features optional metallic paint.

¹ The use of 'Think Blue. Trainer.' on a smartphone is only possible in conjunction with standard or optional Car-Net 'App-Connect'. Volkswagen Apps are only operable in conjunction with compatible smartphones. Please see www.volkswagen.co.uk to check smartphone compatibility. Usage of certified apps only while driving.



Interior shown is Polo BlueGT DSG with optional electronic climate control air conditioning and Light & Sight pack.

BLUEGT The Polo BlueGT delivers a combination of sports styling and performance along with an impressive level of specification. Externally, 17 inch 'Montani' alloy wheels, front fog lights, twin exhaust tailpipe and sports suspension lowered by approx. 15mm hint at the driving experience in store, while the darkened rear light clusters, 'Gloss Black' door mirrors and radiator grille with chrome trimmed louvre add individual style. The 'BlueGT' styling pack includes uniquely shaped bumpers and side skirts, and the unique 'BlueGT' badge symbolises its sporting focus. Inside, 'BlueSpeed' cloth upholstery with alcantara side bolsters, matt chrome detailing and black rooflining adds a contemporary touch, while front sports seats, electric windows and a leather trimmed three-spoke multifunction steering wheel, gear knob and handbrake grip, ensure driving comfort and enjoyment. The Composition Media system features a 6.5 inch colour touch-screen, an MDI (Multi Device Interface) via USB connection for connectivity to an external multimedia source – compatible products only, title and cover art display, a DAB digital radio receiver, SMS functionality allowing you to read, compose and send SMS messages using the touch-screen display when your Polo is stationary (compatible Android smartphones only), glovebox-mounted CD player and six speakers. The Driver Alert system, cruise control and XDS electronic differential lock for improved traction and handling help make your journey easier, and the multifunction computer includes ACT (Active Cylinder Management) which allows the engine to temporarily deactivate two of the four cylinders with the aim of optimising engine efficiency. A split folding rear seat backrest and luggage compartment with variable load floor adds functionality and practicality to the BlueGT's already impressive specification.



Model shown is Polo BlueGT with optional 17" 'Montani Anthracite' alloy wheels and Blue Silk metallic paint.



FORMED OUT OF GTI HERITAGE.

If ever there was a car you could get addicted to driving, the Polo GTI would be the one, delivering an impressive 192 PS performance and accelerating from 0-62mph in just 6.7 seconds. You only have to look at its sporty lines to know it means business, with its characteristic front design featuring the distinctive honeycomb front air intake, red radiator grille louvre, stylish side skirts and iconic 'GTI' badging. To find out just how sporty it can be, put it through its paces with the smooth six speed manual gearbox, or let the gearbox do the hard work for you with the seven speed automatic DSG transmission, so you can concentrate on enjoying the ride. This is GTI fun at its best.

Model shown is Polo GTI with optional electric glass sunroof and Pure White non-metallic paint.

01 LED HEADLIGHTS include separate LED daytime running lights with automatic range adjustment, headlight washers, low washer fluid warning light and LED rear number plate lights. The front fog lights featuring static cornering function, uniquely shaped front and rear bumpers, honeycomb front air intake and dynamic distinctive red GTI louvre below the radiator grille, all hint at the GTI's sporting prowess and heritage. Model shown features optional Pure White non-metallic paint.

02 THE BODY-COLOURED REAR SPOILER emphasises the GTI's sleek bodylines and adds definition to the rear design. This aids vehicle dynamics and creates a sporting look, along with the twin exhaust tailpipe. Model shown features optional Pure White non-metallic paint.

03 'PARABOLICA' 17 inch alloy wheels with 215/40 R17 tyres look dynamic and add style, while the red brake callipers add a sporty presence. Model shown features optional Pure White non-metallic paint.



Interior shown is Polo GTI with optional Discover navigation touch-screen navigation/radio system with Car-Net 'Guide and Inform', electronic climate control, Light & Sight pack, Cruise & Park pack, Winter pack, front centre armrest and optional Pure White non-metallic paint.

GTI The Polo GTI delivers both sport's heritage and comfort, with height-adjustable front sports seats in fashionable 'Jacara' upholstery, a leather trimmed three-spoke multifunction steering wheel finished with red stitching and the 'GTI' logo, and sporty aluminium-look pedals. The dash and centre console display 'GTI' style decorative inserts, carpet mats are finished with red stitching, and stainless steel door sill protectors also feature the 'GTI' logo, while 'Black' gloss interior trim details and black rooflining, grab handles and sun visors provide the perfect finishing touch to its sporty interior.

EVEN THE MOST IMPRESSIVE SPECIFICATION CAN BE ADDED TO.

Driving enjoyment is very much a matter of personal taste. That's why we give you the option of upgrading your Polo with a choice of impressive options, providing even greater levels of comfort, luxury and convenience, depending on your requirements.



01 **ALCANTARA SPORTS SEATS WITH 'MICROFIBRE' SIDE BOLSTERS** add a luxurious, sporty look to the interior. Soft and supple, yet hard-wearing and durable, providing comfort and practicality, combining with the seat design to give excellent lateral support, while ensuring total relaxation on long journeys. Optional on Match Edition, SEL, R-Line, BlueGT and GTI models.

Image shown feature optional Blue Silk metallic paint.



02 REAR-VIEW CAMERA

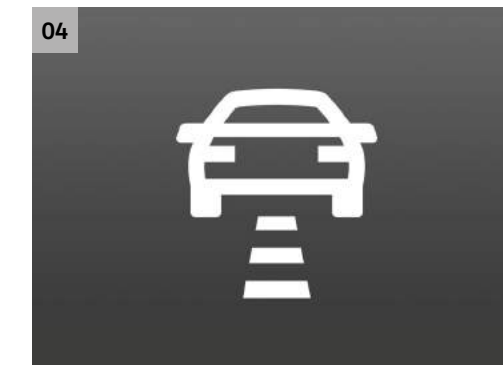
The rear-view reversing camera makes parking easier by emitting audible signals and displaying the area behind the vehicle on the audio or navigation system's display. Auxiliary lines help you navigate more easily into parking spaces, and thanks to the high resolution display, even small obstacles such as kerbs are clearly visible. Optional on Match Edition, beats, SEL, R-Line, BlueMotion and BlueGT models. Rear-view camera is available on GTI models as part of the optional Parking pack.

Image shown features optional Discover navigation touch-screen navigation/radio system. Rear-view camera must be specified in conjunction with parking sensors, front and rear on BlueMotion and BlueGT models.



03 **ELECTRONIC CLIMATE CONTROL AIR CONDITIONING** provides your required cabin temperature quickly and effectively, while maintaining your selected temperature. Optional on S A/C models and above.

In lieu of manual air conditioning.



04 ADAPTIVE CRUISE CONTROL (ACC)

including Front Assist radar sensor controlled distance monitoring system and City emergency braking system. ACC offers you intelligent control of your driving speed by automatically adjusting acceleration and braking. The system will adjust your speed to that of the vehicle in front, keep your specified distance, warn if you are approaching too fast and, in an emergency situation, generate enough braking force to help reduce the severity of a collision or maybe even prevent the collision entirely. Optional on Match Edition, beats, SEL, BlueMotion and BlueGT models.

Please note: Adaptive Cruise Control (ACC) is not available with 1.0 litre 60 PS or 1.0 litre 75 PS engines.

01 ELECTRIC SUNROOF The sunroof is just as eye-catching from the outside as it is from the inside. Adding light and space, it fills the interior with additional natural light, providing an inviting view of the sky overhead. Optional on Match Edition, beats, SEL, R-Line, BlueGT and GTI models.



Models shown feature optional Blue Silk metallic paint.

01 REAR TINTED GLASS from the B-pillar backwards approximately 65% tinted helps reduce the glare from the sun's rays, to ensure a pleasant temperature for rear seat passengers, while also enhancing the exterior's sporty appeal. Optional on BlueMotion and BlueGT, standard on Match Edition, beats, SEL, R-Line and GTI models.



02 CRUISE & PARK PACK features cruise control and front and rear ultrasonic and audible parking sensors with optical parking display via the vehicle's audio system. Optional on S, S A/C and GTI, standard on Match Edition, beats, SEL and R-Line models.

03 WINTER PACK includes headlight washers, heated front seats, heated windscreen washer jets and a low washer fluid warning light, ensuring greater visibility and comfort in rain, snow and dust. Optional on all models.



04 CONVENIENCE PACK includes automatic dimming interior rear-view mirror, automatic headlights on with coming/leaving home lighting function and a rain sensor. Not to mention electrically foldable door mirrors. Optional on beats, SEL, R-Line, BlueGT and GTI, standard on Match Edition models.

05 PARKING PACK includes a rear-view camera and ultrasonic parking sensors at the front and rear which emit audible and visual signals via the vehicle's audio system alerting you to any obstacles in the way. Additional reference lines help you to line up your Polo with the parking space, taking a little more stress out of parking. This pack also includes cruise control. Optional on GTI models.

Image shown features optional Discover Navigation Pro touch-screen navigation/radio system.





ONE EYE ON THE ROAD, THE OTHER ON THE WAY WE LIVE.

The Polo range has no less than seven petrol and two diesel engines, all featuring a Start/Stop function and Battery regeneration (recuperation – energy recovery during braking) and varying in power from 60 PS up to 192 PS, delivering plenty of torque while complying with the very latest EURO 6 exhaust gas regulations implemented in 2014.

The entry level petrol engines are both three cylinder 1.0 litre units producing 60 PS and 75 PS. There are two further three cylinder engines in the range, the 1.0 litre TSI petrol engine with 95 PS that powers the BlueMotion and the 1.0 litre 110 PS. Three four cylinder TSI engines follow; the 1.2 litre 90 PS and the BlueGT's 1.4 litre TSI ACT 150 PS that utilises innovative ACT (Active Cylinder Technology) which, when driving with an engine speed of between 1,000 and 4,000rpm, two of the four cylinders can be completely and imperceptibly deactivated to help optimise the engine's efficiency. The final petrol engine powers the GTI, and its 1.8 litre TSI 192 PS engine can accelerate the GTI from standstill to 62mph in 6.7 seconds on its way to a top speed of 146mph, where the law permits.

The full range of engines, fuel consumption and CO₂ emissions are detailed on pages 50-53.



THINK BLUE. TRAINER. Analyses your driving style in terms of the average and current fuel consumption of your Polo. And best of all, it gives you tips on your driving style advising you how you can drive your Polo more efficiently. Standard on Match Edition and beats models. Optional on SEL, R-Line, BlueMotion, BlueGT and GTI models in conjunction with optional Car-Net 'App-Connect'.

The use of 'Think Blue. Trainer.' on a smartphone is only possible in conjunction with standard or optional Car-Net 'App-Connect'. Volkswagen Apps are only operable in conjunction with compatible smartphones. Please see www.volkswagen.co.uk to check smartphone compatibility. Usage of certified apps only while driving.

Model shown is Polo SEL with optional 17" Mirabeau alloy wheels, electric glass sunroof, Light & Sight pack and Blue Silk metallic paint.

PAINT.

A wide range of exterior colours are available for the Polo. A complex painting process with comprehensive corrosion protection ensures a long-lasting high quality paint finish.



PURE WHITE NON-METALLIC OQ

S ME BTS SEL RL BM BGT GTI



URANO GREY NON-METALLIC 5K

S ME SEL RL



BLACK NON-METALLIC A1

S ME BTS SEL BM GTI



FLASH RED NON-METALLIC SIGNATURE D8

S ME BTS SEL RL BM GTI



BLUE SILK METALLIC 2B

S ME SEL RL BM BGT GTI



REFLEX SILVER METALLIC 8E

S ME SEL RL BM BGT GTI



NIMBUS GREY METALLIC U5

S ME SEL RL



DEEP BLACK PEARL EFFECT 2T

S ME BTS SEL RL BGT GTI

Standard Optional at extra cost

S - S, S A/C ME - Match Edition BTS - beats SEL - SEL
RL - R-Line BM - BlueMotion BGT - BlueGT GTI - GTI

Please note: Colour range is reproduced for illustration purposes only. Actual on-car colours may vary from those shown, as print processes do not allow exact reproduction of the paint colours.

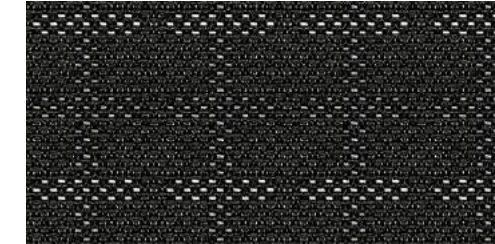
UPHOLSTERY.

All upholsteries have two things in common - high-quality materials and uncompromising workmanship - protecting your seats against wear and giving you maximum comfort and support.



**'GRIP' CLOTH
TITAN BLACK (BY)**

S



**'RAIL' CLOTH
TITAN BLACK (BY)**

ME SEL



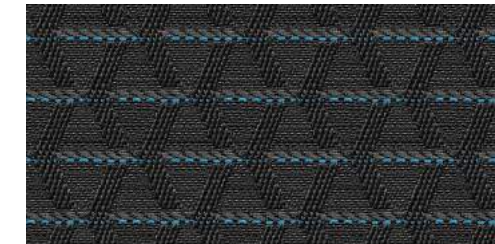
**'beats' CLOTH WITH ALCANTARA
SIDE BOLSTERS CERAMIC (85)**

BTS



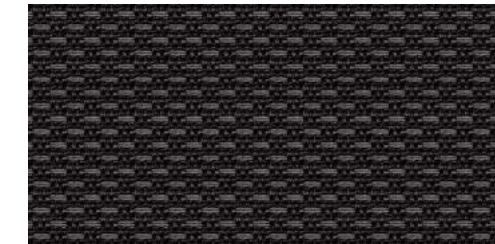
**'RACE' CLOTH WITH 'SAN REMO' MICROFIBRE
SIDE BOLSTERS TITAN BLACK/GREY (OV)**

RL



**'LINK' CLOTH
TITAN BLACK/BLUE (RU)**

BM



**'BLUESPEED' CLOTH
WITH ALCANTARA SIDE BOLSTERS
TITAN BLACK/OLYMPIA BLUE/CRYSTAL GREY (RU)**

BGT



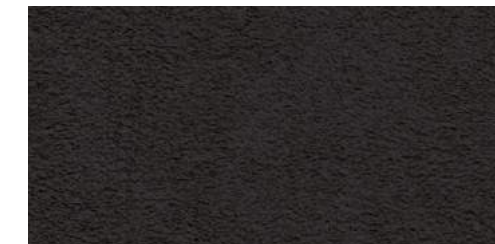
**'JACARA' CLOTH
BLACK/RED (XE)**

GTI



**ALCANTARA SPORTS SEATS
WITH 'MICROFIBRE' SIDE BOLSTERS*
TITAN BLACK (BY)**

ME SEL BGT GTI



**ALCANTARA SPORTS SEATS
WITH 'MICROFIBRE' SIDE BOLSTERS*
TITAN BLACK (OW)**

RL

Standard Optional at extra cost

S - S, S A/C ME - Match Edition BTS - beats SEL - SEL
RL - R-Line BM - BlueMotion BGT - BlueGT GTI - GTI

* Optional at extra cost. Please note: Swatches reproduced for illustration purposes only. Actual upholstery colours may vary from those shown, as print processes do not allow exact reproduction of the upholstery colours.

COMBINATIONS.

| Seat upholstery | Carpet | Dashboard upper | Dashboard lower | Pure White OQ Non-Metallic [†] | Urano Grey 5K Non-Metallic | Black A1 Non-Metallic | Flash Red D8 Non-Metallic Signature* | Blue Silk 2B Metallic* | Reflex Silver 8E Metallic* | Nimbus Grey U5 Metallic* | Deep Black 2T Pearl Effect* |
|---|--------|-----------------|-------------------|---|----------------------------|-----------------------|--------------------------------------|------------------------|----------------------------|--------------------------|-----------------------------|
| 'Grip' cloth – Standard on S and S A/C Titan Black (BY) | Black | Titan Black | Titan Black | ● | ● | ● | ● | ● | ● | ● | ● |
| 'Rail' cloth – Standard on Match Edition and SEL Titan Black (BY) | Black | Titan Black | Titan Black | ● | ● | ● | ● | ● | ● | ● | ● |
| 'beats' seat centre section with alcantara side bolsters Standard on beats Ceramic (85) | Black | Dark Palladium | Palladium/Ceramic | ● | - | ● | ● | - | - | - | ● |
| 'Race' seat centre section with 'San Remo' microfibre side bolsters Standard on R-Line Titan Black/Grey (OV) | Black | Titan Black | Titan Black | ● | ● | - | ● | ● | ● | ● | ● |
| 'Link' cloth – Standard on BlueMotion Titan Black/Blue (RU) | Black | Titan Black | Titan Black | ● | - | ● | ● | ● | ● | - | - |
| 'BlueSpeed' cloth with alcantara side bolsters Standard on BlueGT Titan Black/Olympia Blue/Crystal Grey (RU) | Black | Titan Black | Titan Black | ● | - | - | - | ● | ● | - | ● |
| 'Jacara' cloth – Standard on GTI Black/Red (XE) | Black | Titan Black | Titan Black | ● | - | ● | ● | ● | ● | - | ● |

* Pure White (OQ), Flash Red non-metallic signature (D8), metallic and pearl effect paints, and alcantara upholstery are optional at extra cost.

† Pure White (OQ) paint is a no cost option on beats and BlueGT models.

● Standard. ○ Optional at extra cost. - Not available.

| Seat upholstery | Carpet | Dashboard upper | Dashboard lower | Pure White OQ Non-Metallic [†] | Urano Grey 5K Non-Metallic | Black A1 Non-Metallic | Flash Red D8 Non-Metallic Signature* | Blue Silk 2B Metallic* | Reflex Silver 8E Metallic* | Nimbus Grey U5 Metallic* | Deep Black 2T Pearl Effect* |
|---|--------|-----------------|-----------------|---|----------------------------|-----------------------|--------------------------------------|------------------------|----------------------------|--------------------------|-----------------------------|
| Alcantara sports seats with 'Microfibre' side bolsters* Optional on Match Edition and SEL Titan Black (BY) | Black | Titan Black | Titan Black | ○ | ○ | ○ | ○ | ○ | ○ | ○ | ○ |
| Alcantara sports seats with 'Microfibre' side bolsters* Optional on R-Line Titan Black (OV) | Black | Titan Black | Titan Black | ○ | ○ | - | ○ | ○ | ○ | ○ | ○ |
| Alcantara sports seats with 'Microfibre' side bolsters* Optional on BlueGT Titan Black (BY) | Black | Titan Black | Titan Black | ○ | - | - | - | ○ | ○ | - | ○ |
| Alcantara sports seats with 'Microfibre' side bolsters* Optional on GTI Titan Black (BY) | Black | Titan Black | Titan Black | ○ | - | ○ | ○ | ○ | ○ | - | ○ |

There's a Volkswagen for all of us.

Nippy city run around? Luxurious executive saloon? Open-top cruiser? Whatever it is you're looking for, we probably have it. From the iconic Beetle and Golf GTI to the compact up!, there's a Volkswagen for everyone.

If you're thinking you might like to try a different Volkswagen, there are over 20 models in our range, so there's bound to be at least one that catches your eye.



Spacious family cars

Sharan: The ultimate in convenience with sliding rear doors, and enough space for the whole family. And their luggage. And the dogs.

If it's space you're after, then you might also like to consider the Tiguan, Golf SV, Golf Estate, Touran and Passat Estate.



Sporty

Golf: As exciting to drive as it is to look at. Style, performance and power.

You will also find our sporty gene in the iconic Golf GTD, Golf GTI and Golf R.



Style

Beetle: The original icon. And still the most unique way to make a fashion statement.

For more fun with the top down, why not consider the Beetle Cabriolet.



City run around

up!: The ideal city car. Fun, easy to manoeuvre and surprisingly spacious, with that trademark Volkswagen solidity.

If you're looking for something slightly more spacious, then why not consider the up!'s bigger sibling, the Polo. City run around practicality with more versatility and even more space can be found on the iconic Golf.



Executive

Volkswagen Passat: Perfectly turned out high-tech, executive luxury. A contemporary, stylish and innovative Saloon – winner of 'European Car of the Year 2015'.

All the luxury you need can also be found in the Jetta, as well as the spacious, stylish and practical Passat Estate.



4x4

Touareg: The SUV just got smarter. True four by four capability off-road, and smooth, luxurious and powerful when on it, with four wheel drive technology, '4MOTION' as standard.

Go everywhere, do anything in our four wheel drive alternatives: Golf Alltrack, Tiguan and Passat and Passat Estate 4MOTION models.

To see these models and configure your ideal Volkswagen, visit: www.volkswagen.co.uk

TECHNICAL SPECIFICATION – PETROL.

| | S, S A/C, Match Edition, beats 1.0 litre 60 PS | Match Edition, beats 1.0 litre 75 PS | Match Edition [†] , beats [†] , R-Line 1.2 litre TSI 90 PS | BlueMotion 1.0 litre TSI 95 PS | SEL, R-Line 1.0 litre TSI 110 PS | BlueGT 1.4 litre TSI ACT 150 PS | GTI 1.8 litre TSI 192 PS |
|---|--|---|--|-----------------------------------|-------------------------------------|------------------------------------|-----------------------------|
| Engine | | | | | | | |
| Engine type | Three cylinder petrol | Three cylinder petrol | Four cylinder petrol | Three cylinder petrol | Three cylinder petrol | Four cylinder petrol | Four cylinder petrol |
| Cubic capacity, ltrs/cc | 1.0/999 | 1.0/999 | 1.2/1197 | 1.0/999 | 1.0/999 | 1.4/1395 | 1.8/1798 |
| Max. output, PS ⁽⁰¹⁾ /kW | 60/44 | 75/55 | 90/66 | 95/70 | 110/81 | 150/110 | 192/141 |
| at rpm | 5000-6000 | 6200 | 4800 | 5000-5500 | 5000-5500 | 5000-6000 | 4200-6200 [5400-6200] |
| Max. torque, lbs.ft/Nm | 70/95 | 70/95 | 118/160 | 118/160 | 147/200 | 184/250 | 236/320 [184/250] |
| at rpm | 3000-4300 | 3000-4300 | 1400-4000 | 1500-3500 | 2000-3500 | 1500-3000 | 1450-4200 [1250-5300] |
| Gearbox | Five speed manual | Five speed manual | Five speed manual | Five speed manual | Six speed manual | Six speed manual | Six speed manual |
| | - | - | Seven speed auto DSG [†] | - | Seven speed auto DSG | Seven speed auto DSG | Seven speed auto DSG |
| Weights, kgs | | | | | | | |
| Manual gearbox: | | | | | | | |
| Unladen weight ⁽⁰²⁾ | 1055 | 1055 | 1107 | 1111 | 1116 | 1224 | 1272 |
| Gross vehicle weight | 1570 | 1570 | 1620 | 1560 | 1610 | 1660 | 1710 |
| Payload ⁽⁰²⁾ | 427-533 | 427-533 | 421-531 | 426-505 | 422-519 | 425-481 | 449-513 |
| Axle load limit: Front | 820 | 820 | 870 | 840 | 860 | 910 | 960 |
| Rear | 800 | 800 | 800 | 770 | 800 | 800 | 800 |
| Automatic DSG gearbox: | | | | | | | |
| Unladen weight ⁽⁰²⁾ | - | - | 1139 | - | 1147 | 1238 | 1280 |
| Gross vehicle weight | - | - | 1650 | - | 1640 | 1680 | 1710 |
| Payload ⁽⁰²⁾ | - | - | 418-525 | - | 423-516 | 430-487 | 440-505 |
| Axle load limit: Front | - | - | 900 | - | 890 | 930 | 960 |
| Rear | - | - | 800 | - | 800 | 800 | 800 |
| Trailer load limits, kgs ⁽⁰³⁾ | | | | | | | |
| Braked 12% incline | 800 | 800 | 1000 | 500 | 1000 | 1200 | 1100 |
| Unbraked: | | | | | | | |
| Manual gearbox | 520 | 520 | 550 | 500 | 550 | 610 | 630 |
| Automatic DSG gearbox | - | - | 560 | - | 570 | 610 | 640 |
| Towbar load limit | 50 | 50 | 50 | 50 | 50 | 50 | 50 |
| Max. roof load | 75 | 75 | 75 | 75 | 75 | 75 | 75 |

Figures in [] are for 1.8 litre TSI 192 PS GTI DSG models only.

† Seven speed automatic gearbox only available on Match Edition and beats models.

| | S, S A/C, Match Edition, beats 1.0 litre 60 PS | Match Edition, beats 1.0 litre 75 PS | Match Edition [†] , beats [†] , R-Line 1.2 litre TSI 90 PS | BlueMotion 1.0 litre TSI 95 PS | SEL, R-Line 1.0 litre TSI 110 PS | BlueGT 1.4 litre TSI ACT 150 PS | GTI 1.8 litre TSI 192 PS |
|---|--|---|--|-----------------------------------|-------------------------------------|------------------------------------|-----------------------------|
| Performance | | | | | | | |
| Top speed, mph (km/h), where the law permits | | | | | | | |
| Manual gearbox | 100 (161) | 107 (173) | 114 (184) | 119 (191) | 122 (197) | 137 (220) | 146 (236) |
| Automatic DSG gearbox | - | - | 114 (184) | - | 122 (197) | 137 (220) | 146 (236) |
| Acceleration, secs 0 - 62mph | | | | | | | |
| Manual gearbox | 15.5 | 14.3 | 10.8 | 10.5 | 9.3 | 7.8 | 6.7 |
| Automatic DSG gearbox | - | - | 10.8 | - | 9.3 | 7.8 | 6.7 |
| ABI insurance group, 1 - 50 | 6E, 7E, 8E, 8E | 9E, 10E | 15E, 15E, 15E | 16E | 18E, 18E | 23E | 29E |
| Environmental information | | | | | | | |
| Fuel grade, minimum | Unleaded, 95 RON | Unleaded, 95 RON | Unleaded, 95 RON | Unleaded, 95 RON | Unleaded, 95 RON | Unleaded, 95 RON | Unleaded, 95 RON |
| Fuel tank capacity, galls/ltrs ⁽⁰⁵⁾ | 10.0/45 | 10.0/45 | 10.0/45 | 10.0/45 | 10.0/45 | 10.0/45 | 10.0/45 |
| Official fuel consumption | | | | | | | |
| manual gearbox, | | | | | | | |
| mpg/ltr per 100km ⁽⁰⁶⁾ | | | | | | | |
| Urban | 48.7/5.8 ⁽⁰⁶⁾ | 48.7/5.8 ⁽⁰⁶⁾ | 47.9/5.9 ⁽⁰⁶⁾ | 55.4/5.1 ⁽⁰⁶⁾ | 52.3/5.4 ⁽⁰⁶⁾ | 47.1/6.0 ⁽⁰⁶⁾ | 37.2/7.6 ⁽⁰⁶⁾ |
| Extra-urban | 67.3/4.2 ⁽⁰⁶⁾ | 67.3/4.2 ⁽⁰⁶⁾ | 70.6/4.0 ⁽⁰⁶⁾ | 76.3/3.7 ⁽⁰⁶⁾ | 70.6/4.0 ⁽⁰⁶⁾ | 68.9/4.1 ⁽⁰⁶⁾ | 55.4/5.1 ⁽⁰⁶⁾ |
| Combined | 58.9/4.8 ⁽⁰⁶⁾ | 58.9/4.8 ⁽⁰⁶⁾ | 60.1/4.7 ⁽⁰⁶⁾ | 67.3/4.2 ⁽⁰⁶⁾ | 62.8/4.5 ⁽⁰⁶⁾ | 58.9/4.8 ⁽⁰⁶⁾ | 47.1/6.0 ⁽⁰⁶⁾ |
| Official fuel consumption | | | | | | | |
| automatic DSG gearbox, | | | | | | | |
| mpg/ltr per 100km ⁽⁰⁶⁾ | | | | | | | |
| Urban | - | - | 48.7/5.8 ⁽⁰⁶⁾ | - | 51.4/5.5 ⁽⁰⁶⁾ | 47.1/6.0 ⁽⁰⁶⁾ | 39.2/7.2 ⁽⁰⁶⁾ |
| Extra-urban | - | - | 68.9/4.1 ⁽⁰⁶⁾ | - | 68.9/4.1 ⁽⁰⁶⁾ | 68.9/4.1 ⁽⁰⁶⁾ | 60.1/4.7 ⁽⁰⁶⁾ |
| Combined | - | - | 60.1/4.7 ⁽⁰⁶⁾ | - | 61.4/4.6 ⁽⁰⁶⁾ | 58.9/4.8 ⁽⁰⁶⁾ | 50.4/5.6 ⁽⁰⁶⁾ |
| Official CO ₂ emission, g/km | | | | | | | |
| Manual gearbox ⁽⁰⁶⁾ | 108 ⁽⁰⁶⁾ | 108 ⁽⁰⁶⁾ | 109 ⁽⁰⁶⁾ | 98 ⁽⁰⁶⁾ | 103 ⁽⁰⁶⁾ | 110 ⁽⁰⁶⁾ | 140 ⁽⁰⁶⁾ |
| Automatic DSG gearbox ⁽⁰⁶⁾ | - | - | 109 ⁽⁰⁶⁾ | - | 106 ⁽⁰⁶⁾ | 111 ⁽⁰⁶⁾ | 129 ⁽⁰⁶⁾ |
| Emission class | EURO 6 | EURO 6 | EURO 6 | EURO 6 | EURO 6 | EURO 6 | EURO 6 |
| Noise, dB | | | | | | | |
| Manual gearbox | 71.0 | 72.0 | 70.0 | 69.0 | 71.0 | 72.0 | 73.0 |
| Automatic DSG gearbox | - | - | 69.0 | - | 70.0 | 73.0 | 71.0 |

TECHNICAL SPECIFICATION – DIESEL.

| | Match Edition, beats 1.4 litre TDI 75 PS | SEL, R-Line 1.4 litre TDI 90 PS |
|-------------------------------------|---|------------------------------------|
| Engine | | |
| Engine type | Three cylinder diesel | Three cylinder diesel |
| Cubic capacity, ltrs/cc | 1.4/1422 | 1.4/1422 |
| Max. output, PS ⁽⁰¹⁾ /kW | 75/55 | 90/66 |
| at rpm | 3000-3750 | 3500 |
| Max. torque, lbs.ft/Nm | 154/210 | 169/230 |
| at rpm | 1500-2000 | 1500-2500 |
| Gearbox | Five speed manual | Five speed manual |
| | - | - |

Weights, kgs

| | | |
|--------------------------------|---------|---------|
| Manual gearbox: | | |
| Unladen weight ⁽⁰²⁾ | 1152 | 1151 |
| Gross vehicle weight | 1650 | 1670 |
| Payload ⁽⁰²⁾ | 407-531 | 428-531 |
| Axle load limit: Front | 920 | 920 |
| Rear | 780 | 800 |

| | | |
|--------------------------------|---|---|
| Automatic DSG gearbox: | | |
| Unladen weight ⁽⁰²⁾ | - | - |
| Gross vehicle weight | - | - |
| Payload ⁽⁰²⁾ | - | - |
| Axle load limit: Front | - | - |
| Rear | - | - |

Trailer load limits, kgs ⁽⁰³⁾

| | | |
|-----------------------|------|------|
| Braked 12% incline | 1000 | 1100 |
| Unbraked: | | |
| Manual gearbox | 570 | 570 |
| Automatic DSG gearbox | - | - |
| Towbar load limit | 50 | 50 |
| Max. roof load | 75 | 75 |

[] beats.

| | Match Edition, beats 1.4 litre TDI 75 PS | SEL, R-Line 1.4 litre TDI 90 PS |
|---|---|------------------------------------|
| Performance | | |
| Top speed, mph (km/h), where the law permits | | |
| Manual gearbox | 107 (173) | 114 (184) |
| Automatic DSG gearbox | - | - |
| Acceleration, secs 0 - 62mph | | |
| Manual gearbox | 12.9 | 10.9 |
| Automatic DSG gearbox | - | - |
| ABI insurance group, 1 - 50 | 13E, 14E | 15E, 16E |

Environmental information

| | | |
|--|------------------------|------------------------|
| Fuel grade, minimum | Diesel ⁽⁰⁴⁾ | Diesel ⁽⁰⁴⁾ |
| Fuel tank capacity, galls/ltrs ⁽⁰⁵⁾ | 10.0/45 | 10.0/45 |

Official fuel consumption

| | | |
|--|-------------------------------------|--------------------------|
| manual gearbox, mpg/ltr per 100km ⁽⁰⁶⁾ | | |
| Urban | 67.3/4.2 [65.7/4.3] ⁽⁰⁶⁾ | 65.7/4.3 ⁽⁰⁶⁾ |
| Extra-urban | 83.1/3.4 [80.7/3.5] ⁽⁰⁶⁾ | 80.7/3.5 ⁽⁰⁶⁾ |
| Combined | 76.3/3.7 [74.3/3.8] ⁽⁰⁶⁾ | 74.3/3.8 ⁽⁰⁶⁾ |

Official fuel consumption

| | | |
|---|---|---|
| automatic DSG gearbox, mpg/ltr per 100km ⁽⁰⁶⁾ | | |
| Urban | - | - |
| Extra-urban | - | - |
| Combined | - | - |

Official CO₂ emission, g/km

| | | |
|---------------------------------------|-------------------------|--------------------|
| Manual gearbox ⁽⁰⁶⁾ | 95 [97] ⁽⁰⁶⁾ | 97 ⁽⁰⁶⁾ |
| Automatic DSG gearbox ⁽⁰⁶⁾ | - | - |
| Emission class | EURO 6 | EURO 6 |
| Noise, dB | | |
| Manual gearbox | 71.0 | 71.0 |
| Automatic DSG gearbox | - | - |

TECHNOLOGY.

Engines

- Front transverse-installed engine
- 1.0 litre/60 PS ⁽⁰¹⁾ (44 kW) petrol engine: EU6 emissions standard three cylinder in-line. Available with five speed manual
- 1.0 litre/75 PS ⁽⁰¹⁾ (55 kW) petrol engine: EU6 emissions standard three cylinder in-line. Available with five speed manual
- 1.0 litre/95 PS ⁽⁰¹⁾ (70 kW) petrol engine: EU6 emissions standard three cylinder in-line. Available with five speed manual
- 1.0 litre/110 PS ⁽⁰¹⁾ (81 kW) petrol engine: EU6 emissions standard three cylinder in-line. Available with six speed manual and a seven speed automatic DSG transmission
- 1.2 litre/90 PS ⁽⁰¹⁾ (66 kW) petrol engine: EU6 emissions standard four cylinder in-line. Available with five speed manual and a seven speed automatic DSG transmission
- 1.4 litre/150 PS ⁽⁰¹⁾ (110 kW) petrol engine: EU6 emissions standard four cylinder in-line MPI (Multi Point Injection) engine, with four valves per cylinder. Includes ACT (Active Cylinder Technology) which shuts off 2 cylinders under certain driving conditions to reduce fuel consumption and emissions. Available with six speed manual and a seven speed automatic DSG transmission
- 1.8 litre/192 PS ⁽⁰¹⁾ (141 kW) petrol engine: EU6 emissions standard four cylinder in-line. Available with six speed manual and a seven speed automatic DSG transmission
- 1.4 litre/75 PS ⁽⁰¹⁾ (55 kW) common rail diesel engine: EU6 emissions standard, three cylinder in-line turbocharged common rail diesel engine, four valves per cylinder. Fitted with a turbocharger and a DPF (diesel particulate filter). Available with a five speed manual transmission
- 1.4 litre/90 PS ⁽⁰¹⁾ (66 kW) common rail diesel engine: EU6 emissions standard, three cylinder in-line turbocharged engine, with four valves per cylinder. Fitted with a turbocharger and a DPF (diesel particulate filter). Available with a five speed manual transmission

Transmission

- Front wheel drive through asbestos-free single-plate dry clutch. Hydraulic clutch-mechanism. Five or six speed manual transmissions with double joint half axles. Seven speed automatic DSG gearbox with a dry multi-plate clutch and double joint half axles

Steering

- Electro-mechanical steering rack
- Collapsible, height and lengthways adjustable safety steering column

Running gear

- Electronic Stability Control (ESC) including Electronic Differential Lock (EDL), Traction Control (ASR) and Countersteer Support
- Front suspension through coil springs with telescopic shock absorbers, all elements integrated in chassis legs
- Rear suspension with gas pressure shock absorbers and separate springs
- Front and rear anti-roll bar
- XDS electronic differential lock (BlueGT and GTI only)

Brakes

- Electronically controlled Anti-lock Braking System (ABS) with Electronic Brake-pressure Distribution (EBD)
- Diagonal twin-circuit brake system with front and rear disc brakes (front ventilated)
- Rear drum brakes (1.0 ltr 60 PS, 1.0 ltr 75 PS and 1.4 ltr 75 PS models)
- Asbestos-free brake pads
- Hydraulic Brake Assist (HBA)

Technical specification notes

- The maximum power output figures are quoted in PS (or Pferdestärke, which is the metric equivalent of horsepower). To convert from metric to imperial horsepower, divide the PS figure by 1.0139.
- Figures are calculated in accordance with manufacturer's criteria. The individual unladen weight depends on the specification of the vehicle, this then reduces the possible payload accordingly. The unladen weight and payload both include the fuel tank 90% full, driver (68kg) and luggage (7kg) in line with EU directive 95/48. Unladen weight shown refers to 3-door models. The unladen weight of 5-door models will increase by 25kg.
- With increasing altitude the engine performance diminishes. From 1,000m above sea level and for every 1,000m thereafter 10% of the vehicle/trailer weight (trailer weight + gross vehicle weight) must be deducted.
- The use of 100% RME and FAME (bio diesel) is not possible. Forecourt diesel with up to 7% bio diesel content, adhering to standard BS EN 590, can be used in diesel engines. The use of ethanol in forecourt petrol meeting BS EN 228 is allowable.
- The size of the fuel tank is approximate and therefore it may be possible to add a greater amount of fuel than the size of the tank specified, due to the space in the filler neck.
- Fuel consumption and CO₂ figures are obtained under standardised EU test conditions (Directive 93/116/EEC). This allows a direct comparison between different manufacturer models but may not represent the actual fuel consumption achieved in 'real world' driving conditions. More information is available on the Volkswagen website at www.volkswagen.co.uk and at www.dft.gov.uk/vca. The weight of a vehicle will influence the level of CO₂ emissions it produces; as a result, vehicles with higher levels of specification and factory-fitted options may emit higher levels of CO₂. Choosing larger alloy wheels than those fitted as standard may result in increased fuel consumption as well as higher CO₂ emissions and subsequently an increased Vehicle Excise Duty (VED) band. BIK rates paid by company car drivers may also increase. In some instances, the recommended 'On the road' retail price paid for a vehicle may increase as a result of the increased VED rate. CO₂ is the main greenhouse gas responsible for global warming. The specifications contained in this brochure are for information purposes only and are subject to change.

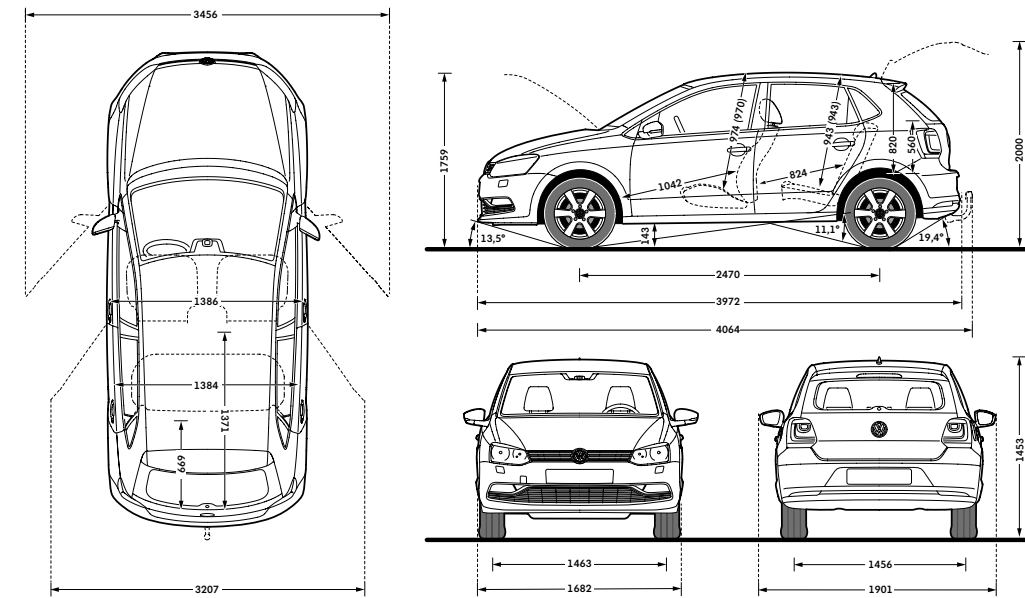
DIMENSIONS.

S, S A/C,
Match Edition,
beats, SEL,
R-Line, BlueGT BlueMotion GTI

| Exterior dimensions | | | |
|---|-----------|-----------|-----------|
| Length, mm | 3972 | 3970 | 3983 |
| Width – including door mirrors, mm | 1901 | 1901 | 1901 |
| Width – opened front/rear doors, mm | 3456/3207 | 3456/3207 | 3456/3207 |
| Height – mm | 1453 | 1456 | 1450 |
| Height – opened bonnet/floor, mm | 1759 | 1762 | 1750 |
| Height – opened tailgate/floor, mm | 2000 | 2003 | 1990 |
| Wheelbase, mm | 2470 | 2468 | 2468 |
| Turning circle, m | 10.6 | 10.6 | 10.6 |
| Interior dimensions | | | |
| Effective headroom – front, mm (with sunroof) | 974 (970) | 974 | 974 (970) |
| Effective headroom – rear, mm (with sunroof) | 943 (943) | 943 | 943 (943) |
| Elbow width, front, mm | 1386 | 1386 | 1386 |
| Elbow width, rear, mm | 1384 | 1384 | 1384 |
| Legroom front, mm | 1042 | 1042 | 1042 |
| Legroom rear, mm | 824 | 824 | 824 |
| Maximum luggage capacity, litres VDA measuring method using 200 x 100 x 50mm blocks | | | |
| With rear seats upright | 280 | 280 | 204 |
| With rear seats folded | 952 | 952 | 882 |

Figures shown are for standard specification models. The addition of certain factory-fitted options and/or accessories may affect some of the dimensions shown.

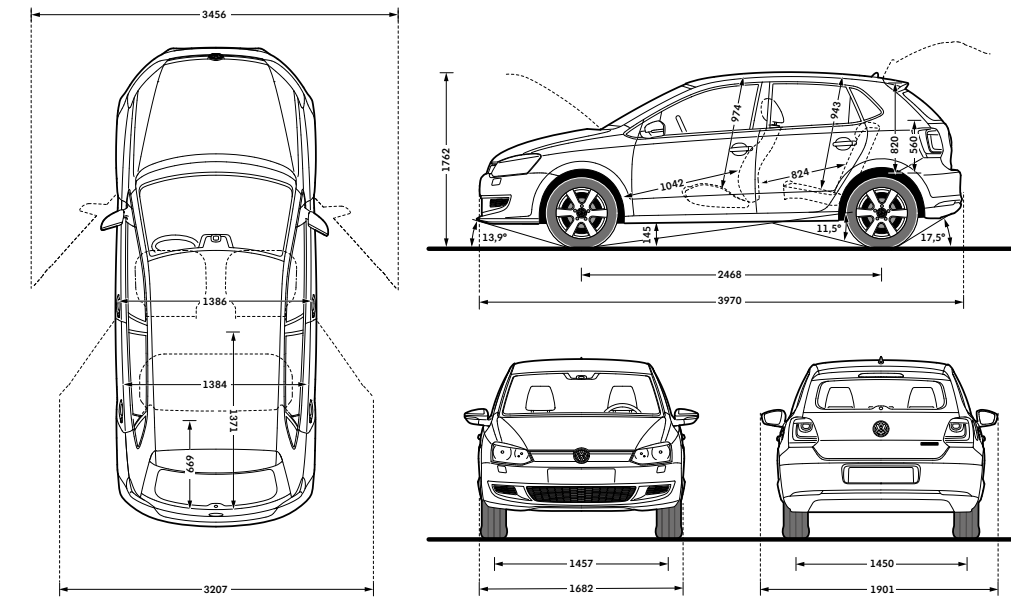
S, S A/C, Match Edition, beats, SEL, R-Line, BlueGT



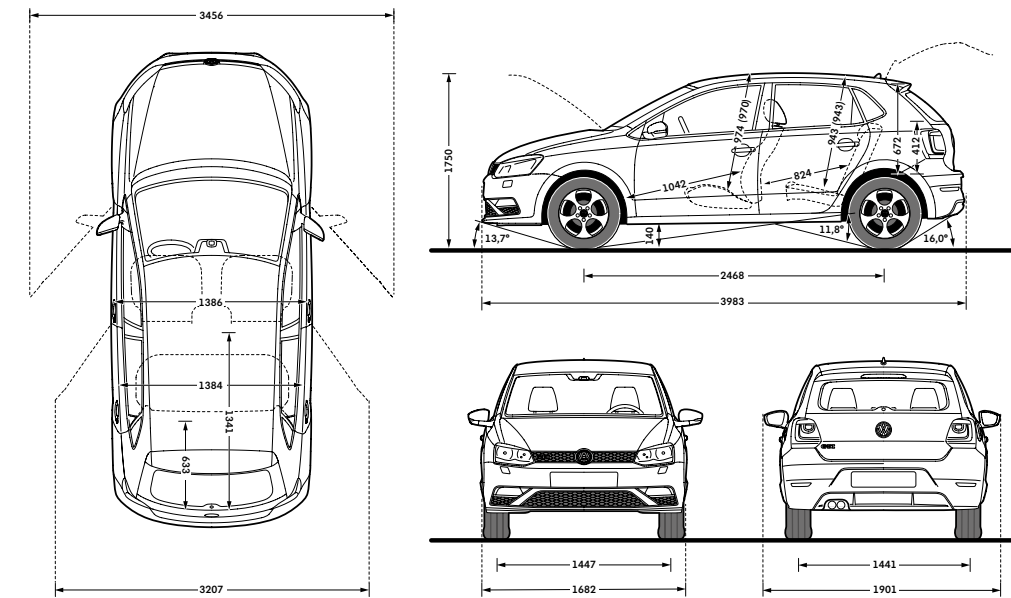
On illustrations, where arrows and figures are shown inside of the vehicle, the measurements are for interior dimensions. Where arrows and figures are shown outside of the vehicle, the measurements are for exterior dimensions.

Interior shown is Polo SEL with optional alcantara sports seats and Blue Silk metallic paint.

BlueMotion



GTI



VOLKSWAGEN SERVICE.

Exclusions and terms and conditions apply to all warranties and plans listed. For pricing and further details of Volkswagen Warranties and Service Plans, please consult your authorised Volkswagen retailer or repairer, or visit www.volkswagen.co.uk

The Volkswagen Warranty

Three-year Warranty

All Volkswagen passenger cars come with a three-year/60,000 miles warranty, which protects your car against the failure of most technical and electrical components due to manufacturing defects. This comprises a two-year manufacturer's warranty with unlimited mileage plus a further one-year/60,000 miles (whichever is soonest) Retailer Warranty¹. Should the mileage exceed 60,000 miles within the first two years, the manufacturer's two-year warranty will still be valid. Full details of the three-year warranty are available from your authorised Volkswagen retailer or repairer.

Body Protection Warranty

The internal body sections and panels of the Polo are covered against rusting through from the inside for 12 years. Naturally, the vehicle must be cared for in compliance with the manufacturer's operating instructions. Please consult your authorised Volkswagen retailer or repairer for full warranty details.

Three-year Paintwork Warranty

This latest paintwork warranty, pioneered by Volkswagen, provides you with cover on a new car. Naturally, during the warranty period the car must be cared for in compliance with the manufacturer's operating instructions. Any paintwork defects, as a result of the manufacturing process, will be rectified without charge.

Approved Accessories

A comprehensive range of accessories from alloy wheels to carpet mats is available to complement the factory-fitted option list. Volkswagen approved accessories purchased from and fitted by your authorised Volkswagen retailer at the point of vehicle sale will also benefit from the three-year vehicle warranty.

Extended warranty

If you order the Volkswagen Extended Warranty as an option when buying your new Polo then you get the 100% Volkswagen Warranty and you can continue to enjoy comprehensive Volkswagen protection against many unforeseeable repair costs. Designed to your needs, you can purchase an extra one or two year's warranty up to a maximum of five years or 90,000 miles.

Service Intervals

Volkswagen is pleased to offer you a choice on how your Volkswagen is serviced. The appropriate selection is entirely dependent on how the car is likely to be driven and its general use. To help you identify which type of service would be most suitable, please refer to the following guide.

The Fixed Service is recommended for vehicles that will cover less than 10,000 miles in 12 months and if the vehicle is likely to be used in the following way:

- Predominantly urban driving, short journeys with frequent cold starts.
- Activities regularly producing high engine loading, e.g. frequent hill climbs, driving with vehicle fully loaded and towing.
- Uneconomical driving style using high rpms with heavy acceleration and heavy braking.

The service intervals for the Fixed Service are as follows:

- Oil change service – After 1 year or 10,000 miles (15,000km), whichever is soonest.
- Inspection service² – First after 2 years or 20,000 miles (30,000km), then every one year or 20,000 miles (30,000km), whichever is soonest.

The Flexible Service is recommended for vehicles with daily mileage of more than 25 miles where the vehicle is driven regularly mainly on longer distance journeys. The vehicle is driven mainly at a constant speed with minimum vehicle and engine loading, minimal towing and driven in an economical manner. With the Flexible Service the vehicle can cover anywhere between 10,000³ and a maximum of 20,000³ miles or 24 months (whichever is soonest) between oil changes.

The service intervals for the Flexible Service are as follows:

- Oil change service – According to flexible service interval display (after 2 years at the latest).
- Inspection service² – First after 2 years or 20,000 miles (30,000km), then every one year or 20,000 miles (30,000km), whichever is soonest.

The up! model is only available with the Fixed Service schedule. Please consult your authorised Volkswagen retailer or repairer for advice and full details.

Please note: If you purchase a Volkswagen Fixed Price Service Plan your vehicle will follow the Fixed Service schedule.

Volkswagen Insurance⁴

We want you to start enjoying your new car from day one and thanks to Volkswagen free 5 day insurance, you can. Call free on 0330 303 6930 (lines are open Monday to Friday 8am – 9pm and Saturday 9am – 5pm), provide a few details and a cover note will be sent to your retailer. They will then tax your car and you can drive it away.

Volkswagen Ensurance⁵

Get three years' Volkswagen Ensurance cover for free.

Another great benefit of being a Volkswagen driver. If your Volkswagen was damaged in an accident, wouldn't you want it fixed by a Volkswagen trained technician using only genuine Volkswagen parts? Ensurance is Volkswagen's accident and repair cover which does exactly that. It works alongside your main comprehensive motor insurance policy no matter who you are insured with, to make sure you get the quality repair and service you would want. If you're involved in an accident or your car is stolen, just one call to us and we'll look after your claim from start to finish ensuring your Volkswagen is restored to the highest standard. Activate your cover and benefit from:

- A guarantee that your Volkswagen will be repaired by a Volkswagen approved repairer and Volkswagen trained technicians, using only genuine Volkswagen parts and paints.
- A dedicated Claims Manager who will manage your claim from start to finish, liaising with your insurer and the repairer so you don't have to.
- Help to recover any uninsured losses using our Legal Expenses Cover.
- Online claims tracking so you can keep up to date with the status of any claim.

Volkswagen Ensurance is free to all Volkswagen customers for three years and it only takes a minute to get cover. To find out more and to activate your cover, visit volkswagen-ensurance.co.uk

Volkswagen Finance⁶

Volkswagen Finance specialises in providing funding solutions for Volkswagen drivers. Whether your Volkswagen is for private or business use, you can choose from a range of funding options.

- Solutions – a Personal Contract Plan
- Hire purchase
- Lease purchase
- Finance lease
- Contract hire

With all Volkswagen Finance products you can choose a fixed-cost maintenance plan to help you budget for your servicing and maintenance costs. No matter what finance product you choose, your local Volkswagen retailer will be able to provide you with a personalised quote that could meet your budget and vehicle needs.

Fuel consumption and CO₂ Emissions

Fuel consumption and CO₂ figures are obtained under standardised EU test conditions (Directive 93/116/EEC). This allows a direct comparison between different manufacturer models but may not represent the actual fuel consumption achieved in 'real world' driving conditions. More information is available on the Volkswagen website at www.volkswagen.co.uk and at www.dft.gov.uk/vca.

The weight of a vehicle will influence the level of CO₂ emissions it produces; as a result, vehicles with higher levels of specification and factory-fitted options may emit higher levels of CO₂. Choosing larger alloy wheels than those fitted as standard may result in increased fuel consumption as well as higher CO₂ emissions and subsequently an increased Vehicle Excise Duty (VED) band. BIK rates paid by company car drivers may also increase. In some instances, the recommended 'On the road' retail price paid for a vehicle may increase as a result of the increased VED rate. CO₂ is the main greenhouse gas responsible for global warming. The specifications contained in this brochure are for information purposes only and are subject to change.

Volkswagen Roadside Assistance

Every new car is registered for Volkswagen Roadside Assistance for one year except the Touareg which is registered for three years. This provides vehicle roadside and home recovery in the unlikely event of a breakdown in the UK and Europe (subject to conditions). Volkswagen Roadside Assistance can also be purchased for subsequent years. For full details, please contact your authorised Volkswagen retailer. Exclusions and terms and conditions apply. For pricing and further details of Volkswagen Roadside Assistance, please consult your authorised Volkswagen retailer, or visit www.volkswagen.co.uk

Tax Free Sales

For full details, please contact your authorised Volkswagen retailer.

Please note:

Some illustrations in this brochure do not necessarily reflect UK specifications and may not be available. In particular, controls and some items of equipment are positioned differently for the UK. The specifications contained in this brochure are for information purposes only and are subject to change. If you require any specific feature, you must consult your authorised Volkswagen retailer who is regularly updated with any change in specification. Please check model availability and full specification details with your authorised Volkswagen retailer prior to ordering. Note: we would like to advise you that telephone calls to Volkswagen Customer Care may be monitored and recorded as part of our training and quality assurance processes. All our monitoring and recording processes meet OfTel regulations.

¹ All warranty work must be completed by an authorised Volkswagen retailer or repairer.

² The inspection service first at 3 years (or 40,000 miles) and then every second year (or 40,000 miles) has additional workscope.

³ The quoted mileage is based on a conversion from kilometres and is therefore unlikely to exceed circa 18,000 miles between oil changes.

⁴ Volkswagen Financial Services is a trading name of Volkswagen Financial Services (UK) Limited ('VWFS UK'). Registered in England and Wales number: 2835230. Registered Office: Brunswick Court, Yeomans Drive, Blakelands, Milton Keynes MK14 5LR. Financial and consumer credit services are provided by VWFS UK. Annual insurance credit is provided by Ageas Retail Limited.

Volkswagen Motor Insurance from VWFS UK is sold and administered by Ageas Retail Limited, registered in England and Wales number: 1324965. Registered Office: Ageas House, Hampshire Corporate Park, Templars Way, Eastleigh, Hampshire SO53 3YA. VWFS UK and Ageas Retail Limited are not part of the same corporate group.

⁵ Ensurance from Volkswagen Financial Services is sold and administered by Lawshield UK Limited, registered in England number: 3360532 (registered office: Lawshield House, 850 Ibis Court, Lakeside Drive, Centre Park, Warrington, Cheshire WA1 1RL) and underwritten by UK General Insurance Limited on behalf of Ageas Insurance Limited, registered in England number: 354568 (registered office: Ageas House, Tollgate, Eastleigh, Hampshire SO53 3YA).

⁶ Finance is available to 18s and over, subject to status. Terms and conditions apply. Volkswagen Finance.

The Polo

Volkswagen Information Service. Telephone: 0800 333 666

Internet: www.volkswagen.co.uk

© Volkswagen Group United Kingdom Limited 2017.

Issue: 1 June 2017.



facebook.com/VolkswagenUK



[@UKVolkswagen](https://twitter.com/@UKVolkswagen)



youtube.com/UKVolkswagen