



Volkswagen

# The Passat and Passat Estate





---

## Contents.

04	Design
08	Interior
14	Driver's assistance systems
16	Infotainment and navigation systems
24	Passat and Passat Estate S
26	Passat and Passat Estate SE Business
28	Passat and Passat Estate GT
30	Passat Alltrack
32	Passat and Passat Estate R-Line
34	Passat and Passat Estate GTE and GTE Advance
40	Alloy wheels
42	Paint
44	Upholstery
46	Combinations
50	Dimensions
52	AdBlue®
54	Volkswagen service

Front cover models shown are Passat R-Line and Passat Estate R-Line with optional 19" 'Verona' alloy wheels and metallic paint.



Model shown is Passat Alltrack with optional 19" 'Albertville' alloy wheels, panoramic sunroof, LED premium headlights and metallic paint.



---

# The Passat. Refined, advanced, elegant.

Charismatic and sophisticated, the Passat and Passat Estate just exudes confidence. Making its appearance as the eighth generation of a best-selling car that has sold nearly 22 million models since 1973, the Passat features advanced technologies and sophisticated assistance systems, providing new levels of comfort, luxury and performance than its predecessors. And that's not all. With its cutting-edge design, technologies and engines, the Passat and Passat Estate are as versatile, progressive and sophisticated as you could wish for.



Model shown is Passat R-Line with optional 19" 'Verona' alloy wheels and metallic paint.





Model shown is Passat Estate R-Line with optional 19" 'Verona' alloy wheels and metallic paint.

---

## The shape of success.

Engineering and design are raised to a new level in the latest generation Passat and Passat Estate. Sharp styling includes a longer wheelbase, shorter body overhangs and a dynamic silhouette with distinctive tornado line, accented by trapezoidal headlights and rear lights, creating an imposing road presence. The redesigned interior complements the sophisticated exterior, with a host of equipment and advanced features providing sublime levels of comfort and convenience. Inside and out, this is functionality at its most stunning: sleek, stylish and dynamic.





Interior shown is Passat Estate GT DSG with optional Discover Navigation Pro touch-screen navigation/DVD infotainment system, smoking pack, net partition and metallic paint.

## Sitting comfortably? Then your journey can begin.

However long or short your journey, you'll always sit comfortably in the Passat. Stylish, durable and ergonomically designed to provide optimum comfort and support, seats are available in a range of contemporary upholsteries and leathers. Standard front seats provide manual height and lumbar adjustment, while SE Business models and above feature ergoComfort front seat for the driver, providing lumbar support, seat cushion tilt adjustment, thigh support and electric backrest adjustment, enabling you to find the most comfortable position for your spine easily and quickly. With the spacious interior providing more head and legroom than ever before in a Passat model, there's plenty of room for family, friends and equipment, especially in the Passat Estate. School run, weekend away or driving to work, driving is so easy and relaxed.



# More space. More versatility. More possibilities.

Whether you're taking a business trip or going on a major shopping expedition, the Passat and Passat Estate are designed to meet your everyday needs. The variable boot floor on the Passat Estate, is height adjustable and removable, providing plenty of room for your equipment or purchases. While the optional keyless entry includes hands-free boot or tailgate opening, which opens the boot or tailgate remotely, ideal if your hands are full. In the Passat Estate, the load volume increases to a massive 1,780 litres<sup>1</sup> with the back seats folded down, providing a surprising amount of load space. Versatile, flexible and more spacious than ever before, you can rely on the Passat to help keep you organised.

<sup>1</sup> Please see page 50 for full details of dimensions.



**01 Integrated child seats<sup>2</sup>** are convenient, practical and easy to use, available for children weighing 15 – 36kg and up to 1.5m tall. Designed to provide optimal side support, they provide a bespoke solution for carrying small occupants. Optional on all models except GTE and GTE Advance. Image shown features optional 'Nappa' leather.

**02 – 04** To extend the boot space, simply release the rear seat backrest either from the boot or the rear seat. The **variable boot floor** helps facilitate loading and unloading, while the optional cargo management system<sup>3</sup>, luggage compartment partitioning pack<sup>3</sup> or divider pack<sup>3</sup> helps keep luggage secure in transit. Cargo management system, luggage compartment partitioning pack and divider pack are optional on all estate models except GTE and GTE Advance.

<sup>2</sup> Integrated child seats are only available on standard Titan Black upholstery or optional Titan Black leather upholstery. Not available in conjunction with heated outer rear seats.  
<sup>3</sup> Cargo management system, luggage compartment partitioning pack and luggage compartment divider pack are not available in conjunction with each other.



Interior shown is Passat Estate GT with optional net partition and metallic paint.



---

# Bring the outside in.

Enjoy the sky above like never before thanks to the Passat's panoramic sunroof. Creating a well-lit, airy passenger compartment, it lets in fresh air and natural light, and in the Passat Estate, an additional panoramic sunroof to the rear provides even more light and space. What better way to enjoy a starry night or sunlit day?

Panoramic sunroof is standard on GT, R-Line and GTE Advance and optional on all other models.

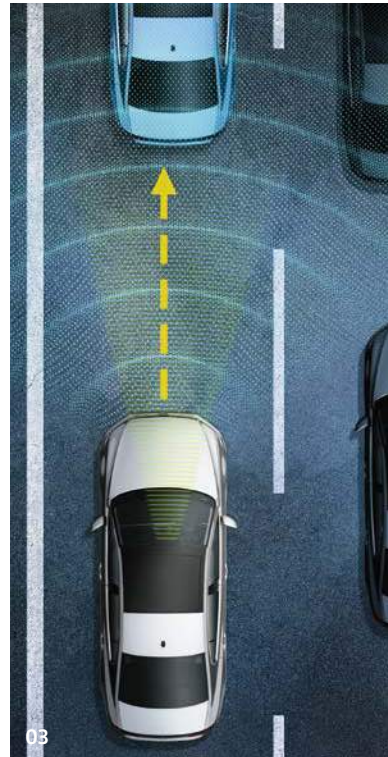


Interior shown is Passat Estate GT with optional net partition and metallic paint.



# The intelligent way to drive.

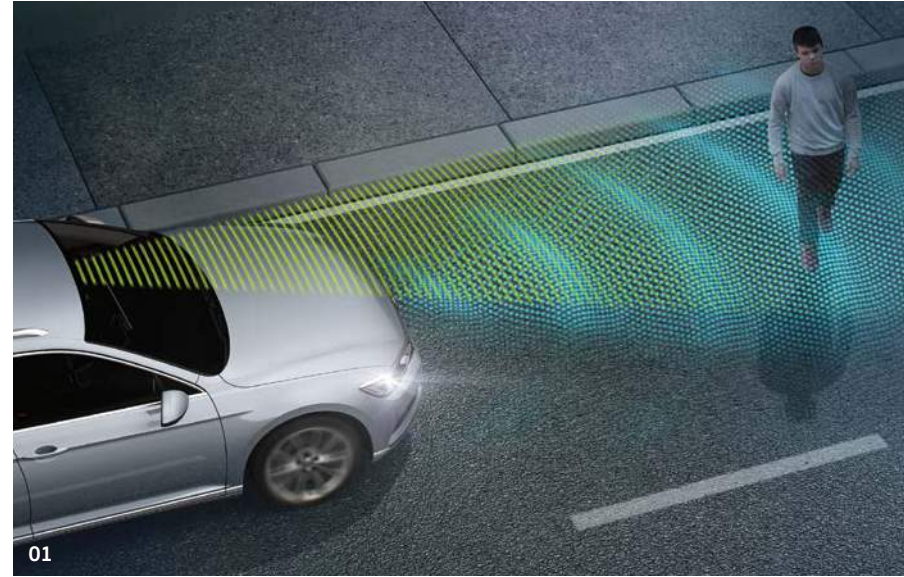
With numerous driving assistants to help share the workload, the Passat provides on-board help should you need it. Smart, intelligent and capable, this is a car made for sophisticated drivers who delight in innovative technology.



**01 Predictive Pedestrian Protection**, part of the optional Driver's Assistance Pack and Driver's Assistance Pack Plus, warns you if it detects, in addition to vehicles, any pedestrians at the edge of the road or on the carriageway via acoustic and optical signals as well as a gentle jolt of the brakes. It even performs an emergency stop should the distance become critical, helping to protect you not only from other road users, but potential accidents. Optional on SE Business models and above. Model shown features optional metallic paint.

**02 Trailer Assist including Park Assist.** Anyone who has tried to manoeuvre a vehicle with a trailer attached understands how complicated this can be. The world's first Trailer Assist helps you reverse with a trailer attached more easily and accurately. The optical display visualises actual and possible steering angles in the instrument cluster. Reverse steering is automatic, with direction controlled via the mirror adjustment switch which acts as a joystick, while the driver controls the pedals and keeps a good look out. Optional on SE Business, GT, Alltrack, R-Line and GTE models in conjunction with the optional swivelling towbar, and Area view or rear-view camera, and GTE Advance models with the optional swivelling towbar. Model shown features optional metallic paint.

**03 Traffic Jam Assist** helps take some of the stress out of driving in congested traffic by maintaining a constant distance from the vehicle in front, preventing you from having to continually stop and start in slow moving traffic. The camera and radar sensor controlled system accelerates, brakes and even steers should the vehicle drift out of its lane, providing the driver maintains hold of the steering wheel. Not only does it help avoid nose-to-tail collisions, it also helps guide you through narrow sections and tight roadwork lanes. Optional on SE Business models and above in conjunction with DSG gearbox only. Traffic Jam Assist is part of the optional Driver's Assistance Pack Plus. Must be ordered in conjunction with optional LED premium headlights. Model shown features optional metallic paint.



**04 Area view.** Four cameras located in the boot lid/tailgate, door mirrors and radiator grille, each with an aperture angle of over 180 degrees, provides a 360-degree view around the Passat helping you manoeuvre in confidence in any direction. From the display menu, the driver can select the camera views; front, rear, side or bird's-eye view, on either full or split-screen, displayed on the Passat's infotainment system. Standard on GTE Advance and optional on SE Business models and above. Not in conjunction with rear-view camera. Model shown features optional metallic paint.



**05 – 06 The Active Info Display<sup>1</sup>.** Ideal for those who love the latest technology, providing a system that can be tailored to suit your specific preferences. A fully configurable, interactive, 12.3 inch high resolution TFT dash display replaces the standard instrument cluster, displaying vehicle data and information on your dashboard. A choice of five different modes enables you to customise the screen as you wish, showing large or small dials as you prefer, with a number of items displayed behind. In navigation mode, for example, you can move the speedometer and rev counter to the edge of the display, creating more space for the navigational map. If you wish, you can include driving, navigation and assistance functions within the graphics of the speedometer. As the Active Info Display is linked to all other assistance systems in the vehicle, any data shown in the centre console of the infotainment system, such as phone numbers or compatible cover art, can also be displayed on the dash, conveniently placed directly within the driver's optimum field of vision. Standard on GT, R-Line and GTE Advance and optional on SE Business, Alltrack and GTE models.

**07 Head-up Display<sup>2</sup>.** At the press of a button, the transparent display rises from its position behind the dashboard into the driver's primary field of vision. Driving information including current speed is projected onto the retractable screen, helping to reduce the time that the driver's eyes are averted from the road. Optional on SE Business models and above. Model shown features Adaptive Cruise Control (ACC).

<sup>1</sup> Not in conjunction with multifunction colour display. Please note: When the navigation map is displayed in the Active Info Display in conjunction with the Discover Navigation system, the navigation map cannot be displayed on the Discover Navigation's 8.0" infotainment touch-screen.  
<sup>2</sup> Only available in conjunction with LED or LED premium headlights. Please note, use of polarised lenses may impair the visibility of the Head-up Display.

Please refer to your Volkswagen owner's manual for information on system parameters and official guidance on use and operation of all our technology. Images shown are for illustration purposes only and may not necessarily reflect UK specification.



# Advanced acoustics. State-of-the-art navigation.



**01** The **Composition Media infotainment system** is equipped with a 8.0 inch colour touch-screen with proximity sensor that recognises in advance your intention to touch the screen and automatically magnifies the display mode. Features also include DAB digital radio receiver, single CD player, MDI (Multi Device Interface) via USB connection for compatible products and SD card reader. The media system also includes Bluetooth telephone and audio connection for compatible devices<sup>1</sup>, simultaneous pairing of two compatible mobile devices, SMS functionality – allowing you to read, compose and send SMS messages using the touch-screen display to a compatible Android smartphone (while the vehicle is stationary), title and compatible cover art display and facilitates music playback from MP3, WMA and AAC files through eight speakers, front and rear. Finally, car information display and 'Think Blue. Trainer.' – provide journey analysis and driver tips on your journey. Standard on S models.



**02** The **Discover Navigation touch-screen navigation/infotainment system with Car-Net 'Guide and Inform'**<sup>2</sup> builds upon the impressive Composition Media system, but with additional features enabling you to easily manage not only your music, but also navigation data and a broad range of vehicle information. The system offers Volkswagen Media Control<sup>3</sup>, which allows remote control of the infotainment system via a smartphone or tablet, preloaded European navigation data, 2D/3D map view, three calculated route choices (Fast, Short and Eco), dynamic navigation based on TMC+, branded points of interest and Speed Limit Display<sup>4</sup>. 3-years Car-Net 'Guide and Inform' access makes it possible to integrate 'traffic information online' into route guidance and transfer public and personal points of interest to the navigation system. The service also includes information for fuel station location and pricing, weather and news feeds. Standard on SE Business, GT, Alltrack, R-Line and GTE models. Optional on S models.

**03** The **Discover Navigation Pro touch-screen navigation/DVD infotainment system with integrated voice activation and Car-Net 'Guide and Inform Plus'**<sup>2</sup> can be operated intuitively via the 9.2 inch colour touch-screen, enabling you to manage music and navigation data. Gesture control for use with various different menus, responds to a sideways swiping gesture and confirms a successful swipe with a sound effect, which can be deactivated if required. Eight powerful speakers deliver great acoustics and the DVD system is compatible with MP3 and WMA files. It also offers a 64 GB SSD hard drive, two SD card readers, photo display from JPEG and PNG files, voice control and a USB connection. The Discover Navigation Pro also features 'Guide and Inform Plus' providing online access to a range of useful information such as traffic, fuel station location and pricing, weather and news feeds. Standard on GTE Advance and optional on SE Business, GT, Alltrack, R-Line and GTE models.



Interior shown is Passat GT with optional Discover Navigation Pro touch-screen navigation/DVD infotainment system.

<sup>1</sup> Devices must be Bluetooth HFP (Hands Free Profile) compatible, please contact your authorised Volkswagen retailer for specific device compatibility.  
<sup>2</sup> Car-Net 'Guide and Inform' services are accessed via a compatible mobile device. Please see [www.volkswagen.co.uk](http://www.volkswagen.co.uk) for more information.  
 The use of 'Guide and Inform' services entails exchanging large volumes of data. As such, we strongly recommend that you sign-up for a flat rate data plan with your mobile network provider. After the initial 3-year Car-Net contract, an annual subscription is chargeable for the continuation of Car-Net 'Guide and Inform' services.  
<sup>3</sup> Only operable in conjunction with compatible tablets and smartphones including iPhone 5 and above. Please see [www.volkswagen.co.uk](http://www.volkswagen.co.uk) to check compatibility.  
<sup>4</sup> Speed Limit Display only reflects national speed limits and does not show temporary speed limit restrictions, or where permanent changes to speed limits are made in-between map updates.



# Concert hall sound. Living room comfort.



**01** The **multifunction leather trimmed steering wheel** enables you to operate the radio and phone without taking your hands off the wheel, and GT models and above equipped with automatic DSG transmission feature paddle shift. A heated steering wheel is optionally available on SE Business, GT and Alltrack models. On warm days, **climate control – 3Zone electronic air conditioning** with automatic air recirculation ensures a pleasant interior temperature to suit the individual preference of driver, front and rear seat passengers. Standard on SE Business models and above. Model shown is Passat GT with optional Discover Navigation Pro touch-screen navigation/DVD infotainment system.

**02** The **'Dynaudio Confidence'** sound system provides enhanced acoustics via a sixteen channel digital amplifier, delivering 700 watts output through a subwoofer and ten speakers optimally located around the cabin to ensure unique sound quality for every occupant. Optional on SE Business, GT, Alltrack and R-Line models.

Specify the **'Dynaudio Confidence'** sound system on GTE and GTE Advance models and the acoustics are delivered through a ten channel digital amplifier, delivering 700 watts output, via ten optimally positioned speakers.

02



Interior shown is Passat GT with optional 'Dynaudio Confidence' soundpack and metallic paint.



# Car-Net. The smart way to stay connected.



**01** With Car-Net 'Guide and Inform'<sup>1</sup> your Passat becomes a mobile network using your smartphone's WIFI hotspot. You can access up-to-the-minute information directly from the internet, enabling you to benefit from continually updated information while you travel, such as online traffic information, fuel station location and pricing, weather and news feeds. Car-Net 'Guide and Inform' includes online navigation software updates, enabling you to download the latest map data. 3-years Car-Net 'Guide and Inform' access is standard on SE Business models and above, and included with optional navigation systems for S models. Please contact your authorised Volkswagen retailer for full details.

Opting for the Discover Navigation Pro touch-screen navigation/DVD infotainment system means that you can benefit from even more features such as 'Gesture Control' and more with 'Guide and Inform Plus'<sup>1</sup>. Standard on GTE Advance and optional on SE Business, GT, Alltrack, R-Line and GTE models.

**02** Car-Net 'Security & Service'<sup>2</sup> acts as your personal assistant supporting you in every driving situation and providing you with all the key information you need regarding your mobility. An integrated SIM-card provides continuous connectivity and interaction between the driver, vehicle and Volkswagen's call centre or server. In the event of an accident, should the driver activate the 'eCall' button or the airbags are deployed triggering the 'eCall' service, Volkswagen's Emergency Centre will be contacted directly. Key information such as the condition and location of the vehicle will be sent to emergency response units. In the event of minor incidents, the 'Automatic accident notification' can send location and vehicle details to the Volkswagen Emergency Centre should the driver wish. Additional data is also shared including details of 'Car breakdown', 'Vehicle health report' and 'Service schedule' ensuring your vehicle's information is always up to date – 10-year subscription included.

The service also allows vehicle information to be accessed via the Car-Net Portal or Car-Net app, via a laptop or smartphone, from the comfort of your home or even the office. Information such as 'Driving data', the status of 'Doors and lights', 'Area alert', 'Speed alert', remote control of 'Horn and hazard lights', 'Parking position' and 'Online anti-theft alarm' can be easily accessed and monitored – 3-year subscription included. Standard on GT models from 2019.



**03** The Car-Net 'App-Connect' combines functionality of Apple 'CarPlay', Google 'Android Auto' and 'MirrorLink'<sup>™</sup> allowing 'mirroring' of a smartphone display on the infotainment touch-screen via USB connection. Only operable in conjunction with compatible smartphones including iPhone 5 and above. Volkswagen apps such as 'Think Blue. Trainer.', 'Shared Audio', 'Drive & Track' or 'My Guide' can help to make your journey more pleasant and interesting, providing useful tips about handling your car, vehicle location and even where to find the closest café. Volkswagen apps are only available with compatible smartphones. Please consult [www.volkswagen.co.uk](http://www.volkswagen.co.uk) to check smartphone compatibility. Usage of certified apps only while driving. Standard on all models. Image shown features Discover Navigation Pro infotainment system.

**04** Whether you are using a phone, radio or radio/navigation system, **Voice activation** allows you to control everything by spoken command. Available commands are shown on the screen, and your chosen text is highlighted in red. After activation, a red symbol indicates that the instruction has been accepted. Standard on GTE Advance and optional on all other models. Voice activation is standard on Discover Navigation Pro touch-screen navigation/DVD infotainment systems.



<sup>1</sup> Car-Net 'Guide and Inform' and 'Guide and Inform Plus' services are accessed via a compatible mobile device. Please see [www.volkswagen.co.uk](http://www.volkswagen.co.uk) for more information. The use of all 'Guide and Inform' services entails exchanging large volumes of data. As such, we strongly recommend that you sign-up for a flat rate data plan with your mobile network provider. After the initial 3-year Car-Net contract, an annual subscription is chargeable for the continuation of all 'Guide and Inform' services.

<sup>2</sup> Use of Car-Net 'Security & Service' is governed in a separate Contract concluded online with Volkswagen. The customer has 90 days after vehicle handover to register the vehicle at [www.volkswagen.com/car-net](http://www.volkswagen.com/car-net). This will enable the customer to use Services for the full period of validity. The Emergency Call Service is already activated when the vehicle is delivered, without registration being required. Availability of Car-Net Services may vary depending on the country in question. The services are available during the agreed contractual period and may be subject to amendments during the duration of the contract. To use the free Car-Net app you will need a smartphone with iOS or Android operating system and a SIM-card with a data option. You will also need an appropriate mobile phone contract already in place or separately arranged with your mobile phone provider. Depending on your mobile tariff, sending and receiving data online may incur additional charges (e.g. roaming charges), particularly if you are using Car-Net abroad. For more information on Car-Net Security & Service, go to [www.volkswagen.com/car-net](http://www.volkswagen.com/car-net) or contact your Volkswagen retailer. For information on your mobile tariff rates, please contact your mobile phone provider.



---

# Business or personal, practical or sporty, the choice is yours.

Versatile and adaptable, the Passat and Passat Estate has room for your passengers, luggage and more. Depending on your requirements, seven models are available: the S, SE Business, GT, Alltrack, R-Line, GTE and GTE Advance, each offering varying levels of trim, ranging from practical and elegant to luxurious and sporty. Whichever you select, you'll benefit from a host of advanced features and refinements.



Model shown is Passat R-Line with optional 19" 'Verona' alloy wheels and metallic paint.



## Passat and Passat Estate S.

The Passat S models are equipped with a whole range of innovative assistance systems fitted as standard, helping to ensure the highest levels of comfort, practicality and convenience. Inside, the interior is fitted with stylish 'Hampshire' cloth upholstery, front seats with lumbar adjustment, a leather trimmed three-spoke multifunction steering wheel and gear knob, and 'Brushed chrome' decorative inserts in the dash, centre console and door panels. Chrome-plated instrument and air vent surrounds, interior lighting with a delay and dimming function create a pleasant ambience, while the 60:40 split folding rear seat backrests (40:20:40 on Estate models) offer greater flexibility when carrying luggage or loads, especially in the Passat Estate.



**01 Automatic Post-Collision Braking System** starts the brake operation after an initial impact, and brakes for as long as necessary to reduce the speed of the vehicle to help prevent or minimise further collisions. Image shown is for illustration purposes only and may not necessarily reflect UK specification.

**02 Press and drive (Keyless start)** enables you to start the engine using a button in the centre console, without taking the key from your pocket.

**03 16 inch 'Aragon' alloy wheels** with 215/60 R16 low rolling resistance tyres add a touch of refinement to the exterior of the Passat S.



**04 The Composition Media infotainment system** with 8.0 inch colour touch-screen display, DAB digital radio, Bluetooth telephone and audio connection<sup>1</sup>, MDI (Multi Device Interface) via USB connection from a compatible device, a premium USB cable (choice of either Apple or Android smartphone compatibility), SD card reader, single CD player and 'Think Blue. Trainer.' with driver tips and journey analysis.

**05 Car-Net 'App-Connect'<sup>2</sup>** combines functionality of Apple 'CarPlay', Google 'Android Auto' and 'MirrorLink'<sup>TM</sup> allowing 'mirroring' of a compatible smartphone display on the infotainment touch-screen via USB connection. **Volkswagen apps** such as 'Think Blue. Trainer.', 'Shared Audio', 'Drive & Track' or 'My Guide' can help to make your journey more pleasant and interesting, providing useful tips about handling your car, vehicle location and even where to find the closest café. Please note, there is usage of only certified apps while driving.

<sup>1</sup> Devices must be Bluetooth HFP (Hands Free Profile) compatible, please contact your authorised Volkswagen retailer for specific phone compatibility.

<sup>2</sup> Only operable in conjunction with compatible smartphones including iPhone 5 and above. Display and operation of certified apps including audio and voice control (if supported by the app). Usage of certified apps only while driving. Please see [www.volkswagen.co.uk](http://www.volkswagen.co.uk) to check smartphone compatibility.



Interior shown is Passat S DSG with optional metallic paint.



## Passat and Passat Estate SE Business.

The well-appointed Passat SE Business models build on the S level specification with impressive levels of comfort and practicality and many advanced features. The refined interior is beautifully equipped with 'Kensington' cloth upholstery, heated front seats, an ergoComfort driver's seat with electric backrest and seat cushion tilt adjustment and front passenger's seat with height and lumbar adjustment. Front and rear carpet mats, 'Diamond Silver' decorative inserts in the dash, centre console and door panels, and LED entrance/warning lights in the front doors add further elegance, while two covered cup holders in the front and load-through provision provide practical extra touches. The latest version of the Driver profile selection takes the Passats to a new level of comfort and relaxation. This driver assistance system brings together numerous settings, allowing you to set the perfect and optimal position, and personalise settings for items such as wing mirrors, map and route settings, radio stations, air conditioning, central locking, windows and interior lighting.

The exterior of the Passat SE Business models are equipped with an even higher levels of specification, such as LED headlights range adjustable with 12 separate LED daytime running lights which also perform the indicator function, heated windscreen washer jets, front fog lights, rear tinted glass from the B-pillar backwards, approximately 65% tinted and remote electrically foldable door mirrors, door mirror puddle lights and reverse activated kerb-view adjustment on the passenger's side. While inside, the latest Discover Navigation infotainment system with 3-years Car-Net 'Guide and Inform'<sup>1</sup> internet access provides a range of information, including traffic, fuel station location and pricing, weather and news feeds.



**01** The Discover Navigation touch-screen navigation/infotainment system with Car-Net 'Guide and Inform'<sup>1</sup> offers Volkswagen Media Control<sup>2</sup>, allowing remote control of the infotainment system via a smartphone or tablet, preloaded European navigation data, 2D/3D map view, three calculated route choices (Fast, Short and Eco), dynamic navigation based on TMC+, branded points of interest and Speed Limit Display<sup>3</sup>. 3-years Car-Net 'Guide and Inform' access makes it possible to integrate 'traffic information online' into route guidance and transfer public and personal points of interest to the navigation system. The service also includes information for fuel station location and pricing, weather and news feeds.



**02** Adaptive Cruise Control (ACC), including Front Assist radar sensor controlled distance monitoring system, City emergency braking system, cruise control and speed limiter offers you intelligent control of your driving speed by automatically adjusting acceleration and braking. Whether around town or on the motorway, the system will adjust your speed to that of the vehicle in front, keep your specified distance, warn if you are approaching too fast and, in an emergency situation, generate enough braking force to try to reduce the severity of a collision or possibly even prevent the collision entirely. Image shown is for illustration purposes only and may not necessarily reflect UK specification.



**03** 17 inch 'London' alloy wheels with 215/55 R17 self-sealing tyres add a further touch of elegance.

**04** Rear tinted glass from the B-pillar backwards is approximately 65% tinted, helping to keep the interior cooler in direct sunlight and creating an executive presence. Model shown features optional metallic paint.



<sup>1</sup> Car-Net 'Guide and Inform' services are accessed via a compatible mobile device. Please see [www.volkswagen.co.uk](http://www.volkswagen.co.uk) for more information. The use of 'Guide and Inform' services entails exchanging large volumes of data. As such, we strongly recommend that you sign-up for a flat rate data plan with your mobile network provider. After the initial 3-year Car-Net contract, an annual subscription is chargeable for the continuation of Car-Net 'Guide and Inform' services.

<sup>2</sup> Only operable in conjunction with compatible tablets and smartphones including iPhone 5 and above. Please see [www.volkswagen.co.uk](http://www.volkswagen.co.uk) to check compatibility.

<sup>3</sup> Speed Limit Display only reflects national speed limits and does not show temporary speed limit restrictions, or where permanent changes to speed limits are made in-between map updates.





Interior shown is Passat GT DSG with optional Discover Navigation Pro touch-screen navigation/DVD infotainment system with integrated voice activation, smoking pack and metallic paint.

## Passat and Passat Estate GT.



The Passat and Passat Estate GT models exude exclusivity, which is shown in the attention to detail and craftsmanship. All-LED headlights are range adjustable with reflector technology and include 12 separate LED daytime running lights which also perform the indicator function. Inside, luxurious seats feature Alcantara seat centre section and 'Vienna' leather<sup>1</sup> side bolsters, while brushed aluminium decorative inserts in the dash and door panels, 'Piano Black' decorative inserts in the centre console and ambient lighting create elegance and style. Other luxurious features include climate control – 3Zone electronic air conditioning with automatic air recirculation, Discover Navigation infotainment system with 3-years access to Car-Net 'Guide and Inform'<sup>2</sup>, panoramic sunroof, remote electrically foldable door mirrors, door mirror puddle lights and reverse activated kerb-view adjustment on the passenger's side and heated windscreen washer jets.

**01** The innovative **Active Info Display<sup>3</sup>** ingeniously displays all instrumentation in a fully interactive virtual format, with high quality graphics on a large 12.3 inch screen. As required, important data relating to driving can be pulled up directly within the driver's field of view and configured in an individually selected display. This includes 2D and 3D navigation information, driver assistance systems, driving information and details from the infotainment system, such as phone contacts or music album covers. For example, in 'navigation' mode, the speedometer and rev counter can be relocated to the sides to make more room for the map display.

**02** The **Passat GT 2.0 litre TSI 220 PS and 2.0 litre BiTDI 240 PS 4MOTION** models feature a number of refinements, including Dynamic Chassis Control (DCC) providing a choice of Sport, Comfort and Normal settings and XDS electronic differential lock for improved traction and handling. LED premium headlights with projection technology look sensational and include signature dual 'U-shaped' LED daytime running lights, 12 separate LEDs performing the indicator function, dynamic curve lighting and headlight washers to help keep them clean. Stylish trapezoid exhaust tailpipes left and right, complete the look to the rear. Model shown features optional metallic paint.

**03** **Heated front seats** add luxury and comfort in the cold weather, giving the interior an especially warm and welcome feel in winter.

**04** **18 inch 'Oxford Anthracite' alloy wheels** with 235/45 R18 self-sealing tyres are eye-catching and sporty.

<sup>1</sup> Some parts of leather interior will contain artificial leather.

<sup>2</sup> Car-Net 'Guide and Inform' services are accessed via a compatible mobile device. Please see [www.volkswagen.co.uk](http://www.volkswagen.co.uk) for more information. The use of 'Guide and Inform' services entails exchanging large volumes of data. As such, we strongly recommend that you sign-up for a flat rate data plan with your mobile network provider.

After the initial 3-year Car-Net contract, an annual subscription is chargeable for the continuation of Car-Net 'Guide and Inform' services.

<sup>3</sup> Please note: When the navigation map is displayed in the Active Info Display in conjunction with the Discover Navigation system, the navigation map cannot be displayed on the Discover Navigation's 8.0" infotainment touch-screen.





## Passat Alltrack.

The Passat Alltrack is designed to take you off the beaten track. Great off-road performance provides all-terrain capability, from smooth and inclined to rough and rugged, allowing every day to become an adventure should you choose. Its 4MOTION four wheel drive combines with off-road suspension providing up to 27.5mm increased ground clearance compared to standard models and an 'Off-road' setting with hill descent assist to deliver true off-road driving characteristics.

Externally, the 'Alltrack' styling pack is designed to impress with uniquely shaped off-road front and rear bumpers, a chrome trimmed radiator grille and front air intake, matt-chrome effect door mirrors, trapezoid exhaust tailpipes and unique 'Alltrack' badging. Meanwhile, prominent anthracite wheel arch protection, matt-chrome effect and anthracite side sill protection, matt-chrome effect underbody protection at the front and rear, and sporty 18 inch 'Kalamata' alloys wheels ensure this is a car that's built for action.

Front fog lights with static cornering, rear tinted glass from the B-pillar backwards approximately 65% tinted, silver anodised roof rails and rear lights with LED technology complete the look, delivering the ultimate in off-road style.

A wealth of interior refinements will help you travel in comfort and style, whatever the terrain. Reflecting the Passat Alltrack's off-road character are such details as stylish 'Summit' cloth upholstery, 'Tracks' decorative inserts in the dash, centre console and door panels, brushed stainless steel pedals and door sill protectors with the unique 'Alltrack' logo.

3Zone electronic climate control with automatic air recirculation enables you and your passengers to choose their preferred interior temperature, while a multifunction colour display, ambient lighting, heated windscreen washer jets, remote electrically foldable door mirrors, door mirror puddle lights and reverse activated kerb-view adjustment on the passenger's side, provide the highest levels of interior quality. Quite literally, it's the full package and more.



01

01 18 inch 'Kalamata' alloy wheels with 245/45 R18 self-sealing tyres, anthracite wheel arch protection and raised off-road suspension provide increased ground clearance adding to its off-road driving capability. Model shown features optional metallic paint.



02

02 The interior of the Alltrack is upholstered in robust 'Summit' cloth upholstery in Titan Black and features the exclusive 'Alltrack' logo in the centre section of the front seats.



Model shown is Passat Alltrack with optional 19" 'Albertville' alloy wheels, panoramic sunroof, LED premium headlights and metallic paint.



## Passat and Passat Estate R-Line.

Sporty, stylish and dynamic, the Passat R-Line models have an equally impressive specification with enhanced body styling and a number of additional features, delivering great levels of functionality, comfort and performance. The exterior of the R-Line is unmistakable with its distinctive 'R-Line' styling pack consisting of front and rear bumpers, radiator grille and side skirts. The striking LED premium headlights, dual 'U-shaped' LED daytime running lights and 12 separate LEDs which perform the indicator function not only looks stylish but enhances your manoeuvring or stopping intentions to other road users. Dynamic curve lighting, headlight washers and front fog lights with static cornering function aid visibility, while chrome decorative trim and 18 inch 'Monterrey' alloy wheels complete the elegant, agile look. For those seeking the ultimate R-Line experience, the R-Line 2.0 litre TSI 220 PS and 2.0 litre BiTDI 240 PS 4MOTION models offer improved performance and driving dynamics, delivering power exactly when and where you need it. Combine that with a number of additional refinements, including Dynamic Chassis Control (DCC) providing a choice of Sport, Comfort and Normal settings and XDS electronic differential lock for improved traction and handling and you can't fail to be impressed.

Elegant and eye-catching, the Passat R-Line is designed to be different. The driver's ergoComfort seat and passenger's front seat feature 'Race' seat centre section and 'Vienna' leather<sup>1</sup> side bolsters, creating a luxurious and inviting interior, with the distinctive 'R-Line' logo on the front seat backrests, echoing the 'R-Line' logo displayed on the leather trimmed three-spoke multifunction steering wheel with aluminium inserts, stainless steel pedals and matching unique 'R-Line' carpet mats, decorative inserts and door sill protectors. Finally, the electric panoramic sunroof with integrated roller blind adds a new dimension of fresh air and light to every trip, offering stunning views of the skies above from every seat. Driving has never been more fun.



Interior shown is Passat R-Line DSG 2.0 BiTDI 240 PS 4MOTION with optional Discover Navigation Pro touch-screen navigation/DVD infotainment system with integrated voice activation and Pure White non-metallic paint.



01

**01 LED premium headlights with projection technology** include signature dual 'U-shaped' LED daytime running lights and 12 separate LEDs that perform the indicator function.



02

**02 18 inch 'Monterrey' alloy wheels** with 235/45 R18 self-sealing tyres give the exterior of the R-Line its unique identity.



03

**03 The innovative Active Info Display** ingeniously displays all instrumentation in a fully interactive virtual format, with high quality graphics on a large 12.3 inch screen.

<sup>1</sup> Some parts of leather interior will contain artificial leather.



Model shown is Passat Estate R-Line 2.0 BiTDI 240 PS 4MOTION with optional 19" 'Verona' alloy wheels and Pure White non-metallic paint.



Due to unprecedented demand, leading to long delivery lead times, the Passat and Passat Estate GTE are currently temporarily closed to ordering. For full details please consult your authorised Volkswagen retailer or visit [www.volkswagen.co.uk](http://www.volkswagen.co.uk)



Model shown is Passat GTE with optional LED premium headlights, panoramic sunroof and premium signature paint.

## Passat and Passat Estate GTE.

Sleek, stylish and responsive, the Passat and Passat Estate GTE are plug-in hybrids that offer the best of both worlds, combining a TSI petrol engine and electric motor to deliver a whole new driving experience. With front wheel drive and a specially developed six speed automatic DSG transmission fitted as standard, in 'GTE' mode it has the capability to accelerate Saloon models from 0-62mph in 7.4 seconds and Estate models in 7.6 seconds, on its way to a top speed of 140 mph where the law permits.

Externally, the Passat GTE displays its own inimitable style with a blue strip extending across the radiator grille into the range adjustable LED headlights and finishing neatly above the LED indicators. The blue theme continues on the 'GTE' badging on the radiator grille, front side panels and rear tailgate, while the sporty bumper features distinctive fins and characteristic 'C' signature LED daytime running lights that distinguish these models from the rest of the Passat range. 18 inch 'Oxford Anthracite' alloy wheels with striking 'Blue' brake callipers give real road presence, while the distinctive rear design features trapezoid exhaust tailpipes left and right, LED rear light clusters with dynamic lighting effect and rear number plate lights also incorporating LED technology.



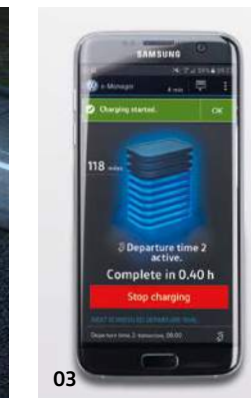
**01** Passat GTE models are equipped with **two charging cables** with different plugs: one to charge up from a domestic mains socket, and one for a charging station or wallbox. A wallbox provides you with higher charging performance and consequently shorter charging time than a domestic mains socket. Using the standard mains charging cable, the Passat GTE recharges the high-voltage battery from a household socket in approximately 4 hours 15 minutes. Charging via a wallbox or at a public charging station it's even faster; taking approximately 2 hours 30 minutes.

For information on wallbox purchase and installation, local infrastructure check, servicing and customer helpline, please refer to your authorised Volkswagen retailer at point of sale. Wallbox is not included. Wallbox shown is for illustration purposes only.



**02** As a plug-in hybrid, the Passat GTE could not be easier to use, with a petrol cap on the side and a charging point inlet cleverly positioned on the radiator grille. It offers **five driving modes**, including e-mode, hybrid, battery charge, battery hold and 'GTE' mode. The operating mode selected, along with the energy flow and load condition of the lithium-ion battery are clearly displayed on the infotainment touch-screen display, with kinetic energy normally lost during braking converted to electricity by regenerative braking and fed directly to the battery where it is stored.

Image shown is for illustration purposes only.



**03** Volkswagen's **Car-Net e-remote mobile services app** allows you to access many vehicle functions remotely via your compatible smartphone. For example, you can activate your Passat and Passat Estate GTE's air conditioning before your journey begins, ensuring a pleasant interior cabin temperature when you set off. You can control charging from a distance, starting and stopping remotely when you wish, with both the charging level and remaining range displayed on your compatible smartphone. You can also view information about your driving characteristics and journey, including average speed and journey time, and the app will even inform you whether the lights are still on and if the doors are locked, along with your last parking position, all from the comfort of your home or office. In addition, all functions can be easily controlled via the web portal at [www.volkswagen-carnet.com/uk](http://www.volkswagen-carnet.com/uk)



To find out more about the benefits of owning an ultra low emission vehicle, including the Government's grants for vehicles and chargepoints, visit [www.GoUltraLow.com](http://www.GoUltraLow.com)



Inside, the Passat and Passat Estate GTE are every inch the sports performers, with the characteristic blue theme symbolising Volkswagen's e-mobility and setting the scene. Standard features include blue ambient lighting, a leather trimmed multifunction steering wheel and 'GTE' gear knob and gaiter finished with blue contrast stitching, and heated front seats finished in stylish Alcantara with 'Vienna' leather<sup>1</sup> side bolsters. 'Aluminium Wave' decorative inserts in the dash and door panels, carpet mats front and rear, and the unique 'GTE' instrument cluster add luxury and style, all combining to give that unmistakable GTE feel.

Extra touches include 3Zone electronic air conditioning, an automatically dimming interior rear-view mirror, coming/leaving home lighting function, illuminated vanity mirrors, rain sensor and heated windscreen washer jets. Driver assistance systems include Adaptive Cruise Control (ACC) with Front Assist distance monitoring and City emergency braking which combine to provide reassurance and make every journey just that little bit easier.



01

01 18 inch 'Oxford Anthracite' alloy wheels with 235/45 R18 self-sealing tyres also feature 'Blue' brake callipers, co-ordinating perfectly with the unique 'GTE' radiator grille with blue strip and unique 'GTE' badging.



02

02 The Driver profile selection includes 'GTE' mode, which activates its sportier side. At the touch of the GTE button, the electric and petrol motors combine to deliver 218 PS and a top speed of 140mph where the law permits. The steering wheel also becomes more responsive and the chassis firms up, the DSG gearbox changes gear quicker, keeping in the lower gears ready to accelerate on demand.



03

03 At the press of a button next to the gear lever, the driver can select e-mode. All-electric e-mode is ideal for urban driving, providing near silent, emission-free operation when driving in town or residential areas up to a distance of 31 miles<sup>2</sup>. The Passat GTE will automatically start in 'e-mode' for greater efficiency, but should the battery have insufficient charge, or in cases of extreme low temperature, the GTE's TSI petrol engine will cleverly take over.

<sup>1</sup> Some parts of leather interior will contain artificial leather.

<sup>2</sup> Please visit [www.volkswagen.co.uk](http://www.volkswagen.co.uk) for CO<sub>2</sub> emissions and fuel consumption figures. Figures based on a fully charged battery at the start of the journey and dependent on outdoor temperature and driving style.

Due to unprecedented demand, leading to long delivery lead times, the Passat and Passat Estate GTE are currently temporarily closed to ordering. For full details please consult your authorised Volkswagen retailer or visit [www.volkswagen.co.uk](http://www.volkswagen.co.uk)



Interior shown is Passat GTE DSG with optional Discover Navigation Pro touch-screen navigation/infotainment system with integrated voice activation, Side scan and premium signature paint.



Due to unprecedented demand, leading to long delivery lead times, the Passat and Passat Estate GTE are currently temporarily closed to ordering. For full details please consult your authorised Volkswagen retailer or visit [www.volkswagen.co.uk](http://www.volkswagen.co.uk)



01

## Passat and Passat Estate GTE Advance.

The Passat GTE Advance offers even greater levels of styling and technology, with 18 inch 'Monterrey' alloy wheels, LED premium headlights and a range of features including 'Nappa' leather<sup>1</sup> upholstery, panoramic sunroof, Discover Navigation Pro touch-screen navigation/DVD infotainment system including Car-Net 'Guide and Inform Plus', Active Info Display, Area view and blue ambient lighting in the front footwell, front doors, dashboard and centre console combine to create the unique GTE interior.

**01** The Discover Navigation Pro touch-screen navigation/DVD infotainment system with integrated voice activation and Car-Net 'Guide and Inform Plus'<sup>2</sup> can be operated intuitively via the 9.2 inch colour touch-screen, enabling you to manage music and navigation data. Gesture control for use with various different menus, responds to a sideways swiping gesture and confirms a successful swipe with a sound effect, which can be deactivated if required. Eight speakers deliver optimum acoustics and the DVD system is compatible with MP3, WMA and AAC files. It also offers a 64 GB SSD hard drive, two SD card readers, photo display from JPEG and PNG files, voice control and USB connection. The Discover Navigation Pro also features 3-years 'Guide and Inform Plus' providing online access to a range of useful information such as traffic, fuel station location and pricing, weather and news feeds.

<sup>1</sup> Some parts of leather interior will contain artificial leather.

<sup>2</sup> Car-Net 'Guide and Inform' services are accessed via a compatible mobile device. Please see [www.volkswagen.co.uk](http://www.volkswagen.co.uk) for more information. The use of 'Guide and Inform Plus' services entails exchanging large volumes of data. As such, we strongly recommend that you sign-up for a flat rate data plan with your mobile network provider. After the initial 3-year Car-Net contract, an annual subscription is chargeable for the continuation of Car-Net 'Guide and Inform Plus' services.



03

**03** The innovative Active Info Display ingeniously displays all instrumentation in a fully interactive virtual format, with high quality graphics on a large 12.3 inch screen. As required, important data relating to driving can be pulled up directly within the driver's field of view and configured in an individually selected display. This includes 2D and 3D navigation information, driver assistance systems, driving information and details from the infotainment system, such as phone contacts or music album covers. For example, in 'navigation' mode, the speedometer and rev counter can be relocated to the sides to make more room for the map display.



04

**04** 18 inch 'Monterrey' alloy wheels with 235/45 R18 self-sealing tyres are eye-catching and sporty, adding the finishing touch to the exterior of the Passat GTE Advance.



05

**05** Area view provides a 360-degree view around your Passat GTE Advance helping you manoeuvre easily in any direction. From the display menu, the driver can select the camera views; front, rear, side or bird's-eye view, on either full or split-screen, displayed on the car's infotainment system.

Please refer to your Volkswagen owner's manual for information on system parameters and official guidance on use and operation of all our technology. Image shown is for illustration purposes only.



02

**02** LED premium headlights with projection technology include signature dual 'U-shaped' LED daytime running lights, 12 separate LEDs which perform the indicator function, dynamic curve lighting and headlight washers which assist in keeping them clean.





01

**01 'Aragon'** 6 1/2 J x 16" alloy wheels with 215/60 R16 low rolling resistance tyres and anti-theft wheel bolts. Standard on S models.

**02 'London'** 7J x 17" alloy wheels with 215/55 R17 self-sealing tyres and anti-theft wheel bolts. Standard on SE Business models.

**03 'Oxford Anthracite'** 8J x 18" alloy wheels with 235/45 R18 self-sealing tyres and anti-theft wheel bolts. Standard on GT and GTE. Optional on SE Business models.

**04 'Kalamata'** 7J x 18" alloy wheels with 245/45 R18 self-sealing tyres and anti-theft wheel bolts. Standard on Alltrack models.

**05 'Monterrey'** 8J x 18" alloy wheels with 235/45 R18 self-sealing tyres and anti-theft wheel bolts. Standard on R-Line and GTE Advance. Optional on GTE models.

## Alloy wheels.

Stylish alloy wheels contribute to the charismatic road presence of the Passat and Passat Estate, with a choice of elegant, classic or sporty designs adding a touch of individuality.



02



03



04



05



06

**06 'Sepang'** 6 1/2 J x 16" alloy wheels with 215/60 R16 tyres and anti-theft wheel bolts. No cost option on SE Business models.

**07 'Nivelles Anthracite'** 7J x 17" alloy wheels with 215/55 R17 tyres and anti-theft wheel bolts. Optional on SE Business models.

**08 'Soho Anthracite'** 7J x 17" alloy wheels with 215/55 R17 tyres and anti-theft wheel bolts. Optional on SE Business models.

**09 'Marseille Anthracite'** 8J x 18" alloy wheels with 235/45 R18 tyres and anti-theft wheel bolts.

Optional on SE Business, GT, GTE and GTE Advance models.

**10 'Verona'** 8J x 19" alloy wheels with 235/40 R19 tyres and anti-theft wheel bolts. Optional on GT and R-Line models.

**11 'Alberville'** 8J x 19" alloy wheels with 245/40 R19 tyres and anti-theft wheel bolts. Optional on Alltrack models.



07



08



09



10



11

Please note, the addition of larger optional wheels may result in a higher CO<sub>2</sub> emission figure and change in VED band, and subsequently an increase in the Manufacturer's Recommended 'On the road' Retail price. Please visit [www.volkswagen.co.uk](http://www.volkswagen.co.uk) for full details.

Due to unprecedented demand, leading to long delivery lead times, the Passat and Passat Estate GTE Advance are currently temporarily closed to ordering. For full details please consult your authorised Volkswagen retailer or visit [www.volkswagen.co.uk](http://www.volkswagen.co.uk)



# Paint.



**Atlantic Blue Metallic H7**  
 S  SEB  GT  A  RL  GTE



**Pure White Non-Metallic OQ**  
 S  SEB  GT  A  RL  GTE



**Urano Grey Non-Metallic 5K**  
 S  SEB  GT  A  RL  GTE



**Pyrite Silver Metallic K2**  
 S  SEB  GT  A  RL  GTE



**Harvard Blue Metallic 4P**  
 S  SEB  GT  A  RL  GTE



**Deep Black Pearl Effect 2T**  
 S  SEB  GT  A  RL  GTE



**Crimson Red Metallic Signature 5P**  
 S  SEB  GT  A  RL  GTE



**Manganese Grey Metallic 5V**  
 S  SEB  GT  A  RL  GTE



**Reflex Silver Metallic 8E**  
 S  SEB  GT  A  RL  GTE



**Oryx White Premium Signature OR**  
 S  SEB  GT  A  RL  GTE

Standard  Optional at extra cost

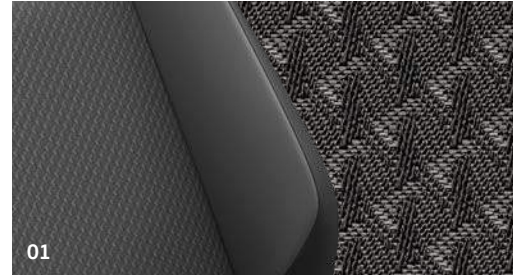
S – S SEB – SE Business GT – GT  
 A – Alltrack RL – R-Line GTE – GTE and GTE Advance

Please note: Colour range is reproduced for illustration purposes only. Actual on-car colours may vary from those shown, as screen technology does not allow exact reproduction of the paint colours.

Due to unprecedented demand, leading to long delivery lead times, the Passat and Passat Estate GTE Advance are currently temporarily closed to ordering. For full details please consult your authorised Volkswagen retailer or visit [www.volkswagen.co.uk](http://www.volkswagen.co.uk)



# Upholstery.



01

S



02

SEB



03

SEB



04

GT  GTE



05

GT  GTE



06

GT



11

SEB  A



13

GT  GTE



14

GT  GTE



15

GT



16

RL

- 01 'Hampshire' cloth Titan Black TO
- 02 'Kensington' cloth Titan Black TO
- 03 'Kensington' cloth St Tropez TS
- 04 Alcantara/'Vienna' leather\* Titan Black/Titan Black TO
- 05 Alcantara/'Vienna' leather\* St Tropez/St Tropez TS
- 06 Alcantara/'Vienna' leather\* Moonrock/Black TT
- 07 'Summit' cloth Titan Black TO
- 08 'Race' cloth/'Vienna' leather\* Titan Black/Titan Black IN
- 09 'Nappa' leather\* Titan Black TO
- 10 'Nappa' leather\* St Tropez TS

Standard  Optional at extra cost

S - S SEB - SE Business GT - GT  
A - Alltrack RL - R-Line GTE - GTE and GTE Advance



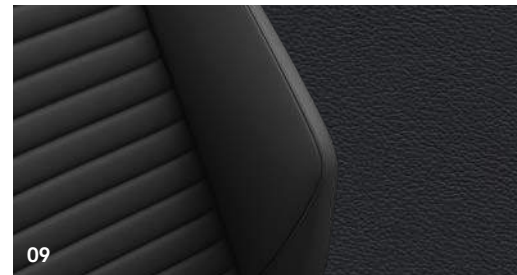
07

A



08

RL



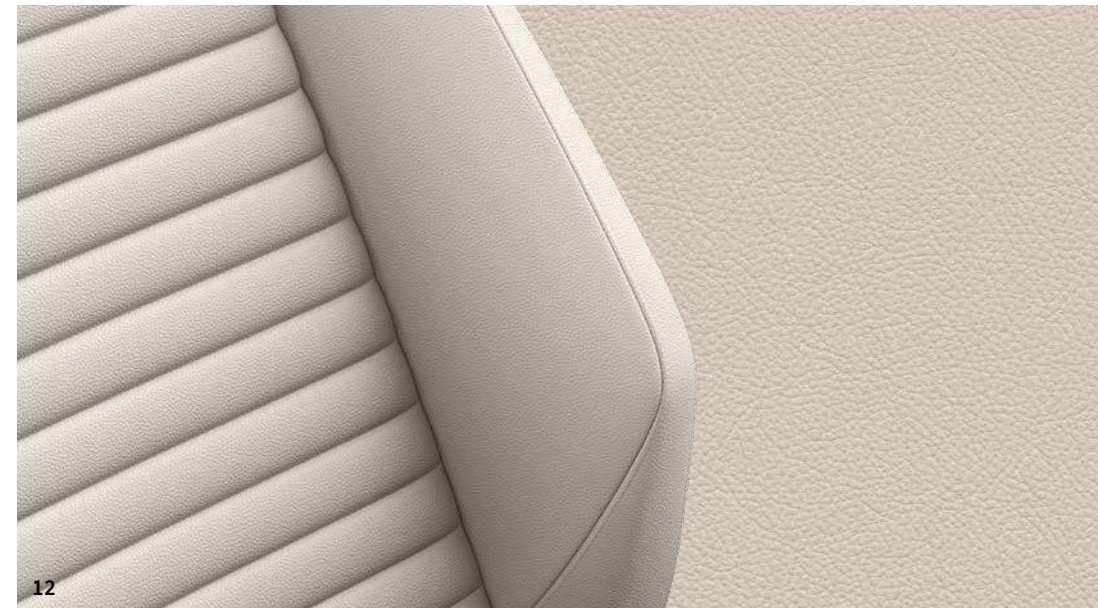
09

GTE A



10

GTE A



12

SEB  A



17

RL

- 11 'Vienna' leather\* Titan Black TO
- 12 'Vienna' leather\* St Tropez TS
- 13 'Nappa' leather\* Titan Black TO
- 14 'Nappa' leather\* St Tropez TS
- 15 'Nappa' leather\* Marrakesh LW
- 16 'Nappa' leather\* Flint Grey/Titanium Black OK
- 17 'Nappa' leather\* Titan Black OH

Please note: Swatches reproduced for illustration purposes only. Actual upholstery colours may vary from those shown, as screen technology does not allow exact reproduction of the upholstery colours. \* Some parts of leather interior will contain artificial leather.

Due to unprecedented demand, leading to long delivery lead times, the Passat and Passat Estate GTE Advance are currently temporarily closed to ordering. For full details please consult your authorised Volkswagen retailer or visit [www.volkswagen.co.uk](http://www.volkswagen.co.uk)



# Combinations.

## Seat upholstery – Standard

	Dashboard	Carpet	Rooflining	Pure White Non-Metallic* 0Q	Urano Grey Non-Metallic 5K	Harvard Blue Metallic* 4P	Manganese Grey Metallic* 5V	Reflex Silver Metallic* 8E	Atlantic Blue Metallic* H7	Pyrite Silver Metallic* K2	Deep Black Pearl Effect* 2T	Crimson Red Metallic Signature* 5P	Oryx White Premium Signature* 0R
<b>'Hampshire' cloth</b> Standard on S Titan Black (TO)	Black	Black	St Tropez	●	●	●	●	●	●	●	●	●	●
<b>'Kensington' cloth</b> Standard on SE Business Titan Black (TO)	Black	Black	St Tropez	●	●	●	●	●	●	●	●	●	●
St Tropez (TS)	Black/St Tropez	Black	St Tropez	●	●	●	●	●	●	●	●	●	●
<b>Alcantara seat centre section and 'Vienna' leather† side bolsters</b> Standard on GT and GTE Titan Black/Titan Black (TO)	Black	Black	St Tropez	●	●	●	●	●	●	●	●	●	●
St Tropez/St Tropez (TS)	Black/St Tropez	Black	St Tropez	●	●	●	●	●	●	●	●	●	●
Moonrock/Black (TT) <sup>1</sup>	Black	Black	St Tropez	●	●	●	●	●	●	●	●	●	●
<b>'Summit' cloth</b> Standard on Alltrack Titan Black (TO)	Black	Black	St Tropez, Black*	●	●	●	●	●	●	●	●	●	●
<b>'Race' seat centre section and 'Vienna' leather† side bolsters</b> Standard on R-Line Titan Black/Titan Black (IN)	Black	Black	Black	●	●	●	●	●	●	●	●	●	●
<b>'Nappa' leather†</b> Standard on GTE Advance Titan Black (TO)	Black	Black	St Tropez	●	●	●	●	●	●	●	●	●	●
St Tropez (TS)	Black/St Tropez	Black	St Tropez	●	●	●	●	●	●	●	●	●	●

\* Pure White non-metallic, metallic, pearl effect, metallic signature, premium signature paints and black rooflining are optional at extra cost.

† Some parts of leather interior will contain artificial leather. 1 Not available on GTE models.

Due to unprecedented demand, leading to long delivery lead times, the Passat and Passat Estate GTE Advance are currently temporarily closed to ordering. For full details please consult your authorised Volkswagen retailer or visit [www.volkswagen.co.uk](http://www.volkswagen.co.uk)

● Standard. – Not available.

Image shown features standard 'Kensington' cloth in Titan Black.



# Combinations.

Seat upholstery – Optional	Dashboard	Carpet	Rooflining	Pure White Non-Metallic* OQ	Urano Grey Non-Metallic 5K	Harvard Blue Metallic* 4P	Manganese Grey Metallic* 5V	Reflex Silver Metallic* 8E	Atlantic Blue Metallic* H7	Pyrite Silver Metallic* K2	Deep Black Pearl Effect* 2T	Crimson Red Metallic Signature* 5P	Oryx White Premium Signature* 0R
<b>'Vienna' leather**† Optional SE Business</b>													
Titan Black (TO)	Black	Black	St Tropez	○	○	○	○	○	○	○	○	○	○
St Tropez (TS)	Black/St Tropez	Black	St Tropez	○	○	○	○	○	○	○	○	○	○
<b>'Vienna' leather**† Optional Alltrack</b>													
Titan Black (TO)	Black	Black	St Tropez, Black*	○	○	○	○	○	○	○	○	○	○
St Tropez (TS)	Black/St Tropez	Black	St Tropez	○	○	○	○	○	○	○	○	○	○
<b>'Nappa' leather**† Optional on GT</b>													
Titan Black (TO)	Black	Black	St Tropez	○	○	○	○	○	○	○	○	○	○
St Tropez (TS)	Black/St Tropez	Black	St Tropez	○	○	○	○	○	○	○	○	○	○
Marrakesh (LW)	Black	Black	St Tropez	○	○	○	○	○	○	○	○	-	○
<b>'Nappa' leather**† Optional on GTE</b>													
Titan Black (TO)	Black	Black	St Tropez	○	○	○	○	○	○	○	○	○	○
St Tropez (TS) <sup>1</sup>	Black/St Tropez	Black	St Tropez	○	○	○	○	○	○	○	○	○	○
<b>'Nappa' leather**† Optional on R-Line</b>													
Flint Grey/Titanium Black (OK)	Black	Black	Black	○	○	○	○	○	○	○	○	○	○
Titan Black (OH)	Black	Black	Black	○	○	○	○	○	○	○	○	○	○
<b>'Nappa' leather**† featuring climate front seats with electric 12-way adjustment and driver's massage and memory function Optional on GT</b>													
Titan Black (OH)	Black	Black	St Tropez	○	○	○	○	○	○	○	○	○	○

\* Pure White non-metallic, metallic, pearl effect, metallic signature, premium signature paints, leather upholstery, climate front seats and black rooflining are optional at extra cost.  
† Some parts of leather interior will contain artificial leather. 1 St Tropez 'Nappa' leather does not feature blue highlights and contrast stitching on the gear knob and gear lever gaiter.

Due to unprecedented demand, leading to long delivery lead times, the Passat and Passat Estate GTE Advance are currently temporarily closed to ordering. For full details please consult your authorised Volkswagen retailer or visit [www.volkswagen.co.uk](http://www.volkswagen.co.uk)

○ Optional at extra cost. – Not available.

Image shown features optional 'Nappa' leather in Titan Black.



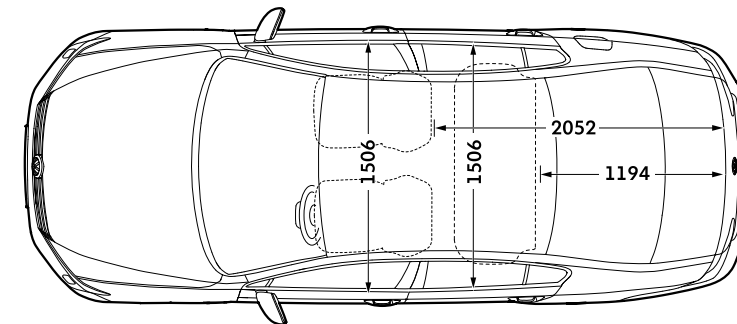
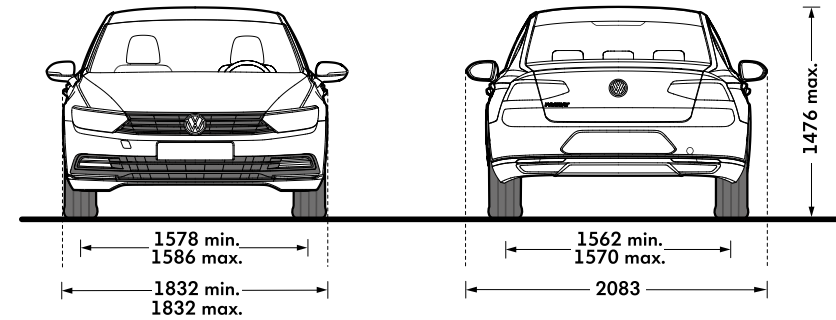
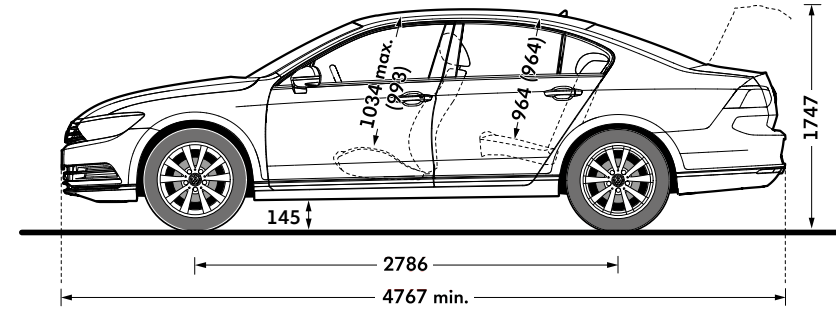
# Dimensions.

Exterior dimensions	Passat Saloon
Length – min., mm	4767
Width – including door mirrors, mm	2083
Height – max., mm	1476
Height – opened tailgate/floor, mm	1747
Wheelbase, mm	2786
Turning circle, m	11.7

Interior dimensions	Passat Saloon
Effective headroom – front max., mm (with sunroof)	1034 (993)
Effective headroom – rear, mm (with sunroof)	964 (964)
Elbow width, front, mm	1506
Elbow width, rear, mm	1506

Maximum luggage capacity, litres VDA measuring method using 200 x 100 x 50mm blocks	Passat Saloon
With rear seats upright	586 [402]
With rear seats folded	1152 [968]

Figures shown are for standard specification models. The addition of certain factory-fitted options and/or accessories may affect some of the dimensions shown.  
 [ ] GTE and GTE advance figures.



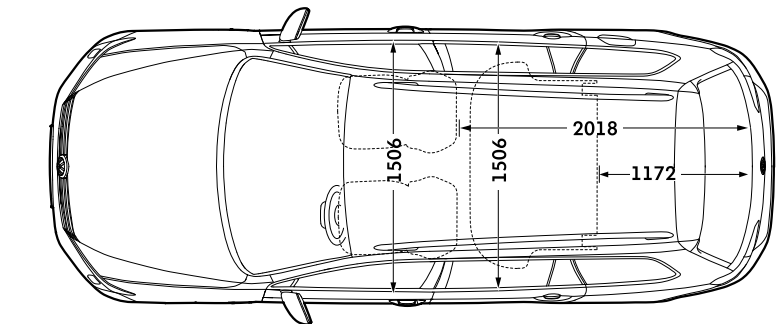
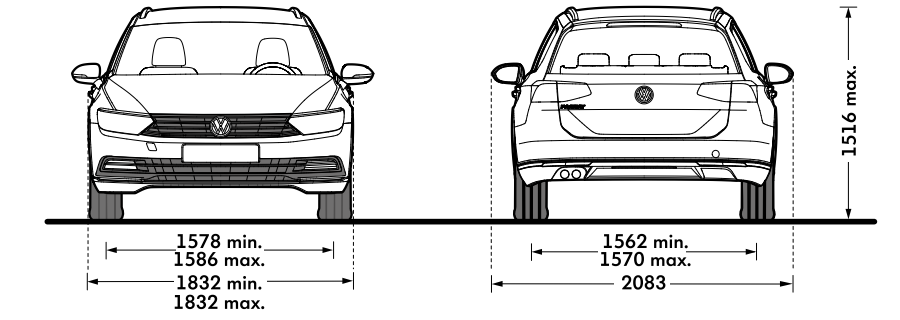
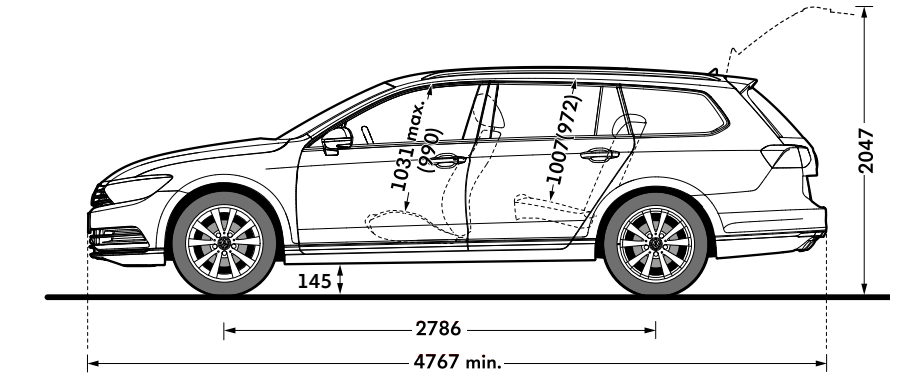
On illustrations, where arrows and figures are shown inside of the vehicle, the measurements are for interior dimensions. Where arrows and figures are shown outside of the vehicle, the measurements are for exterior dimensions.

Exterior dimensions	Passat Estate	Passat Alltrack
Length – min., mm	4767	4777
Width – including door mirrors, mm	2083	2083
Height – max., mm	1516	1530
Height – opened tailgate/floor, mm	2047	2076
Wheelbase, mm	2786	2789
Turning circle, m	11.7	11.7

Interior dimensions	Passat Estate	Passat Alltrack
Effective headroom – front max., mm (with sunroof)	1031 (990)	1031 (990)
Effective headroom – rear, mm (with sunroof)	1007 (972)	1007 (972)
Elbow width, front, mm	1506	1506
Elbow width, rear, mm	1506	1506

Maximum luggage capacity, litres VDA measuring method using 200 x 100 x 50mm blocks	Passat Estate	Passat Alltrack
With rear seats upright	650 [483]	639
With rear seats folded	1780 [1613]	1769

Figures shown are for standard specification models. The addition of certain factory-fitted options and/or accessories may affect some of the dimensions shown.  
 [ ] GTE and GTE advance figures.



On illustrations, where arrows and figures are shown inside of the vehicle, the measurements are for interior dimensions. Where arrows and figures are shown outside of the vehicle, the measurements are for exterior dimensions.



# AdBlue®

Your Volkswagen car is fitted with an advanced emissions control system, which helps your vehicle meet EURO 6 exhaust gas regulations.

## How does the system work?

AdBlue®, a water/urea based additive, is stored in a tank (like diesel fuel), however, unlike fuel it is not injected into the engine, but directly into a specially modified part of the vehicle's exhaust. This begins a chemical reaction which removes the polluting oxides of nitrogen (NOx), converting them into harmless oxygen and nitrogen in a process known as Selective Catalytic Reduction, or SCR for short. SCR is only applicable to diesel engines and the more economically you drive, typically, the less AdBlue® you will use.

The size of the AdBlue® tank fitted to your car will vary depending on which Volkswagen model you have, therefore the interval between top-ups will vary. In addition, many factors such as mileage, journey type, driving style and environmental conditions can influence how much AdBlue® is consumed. A passenger car can consume approximately 1.5 litres of AdBlue® every 620 miles (1.0–1.5 litres for the Passat and Passat Estate). The chart below details the AdBlue® tank size and location.

Model (SCR derivatives only)	Tank size (Approximately)	AdBlue® tank filler location	Initial warning of low AdBlue® (2,400km/1,500 miles to go) can be expected to occur at:
Passat and Passat Estate	13 litres	Next to fuel filler nozzle	4,000 to 6,500 miles or sooner*

\* Distances are approximate and the warning light may come on sooner depending on driving style, journey type, engine and vehicle load and environmental conditions.

## How will I know if the system needs topping-up?

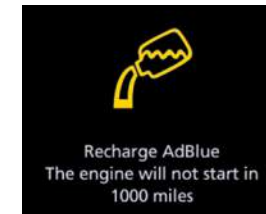
A series of warnings will be given via the driver information system, accompanied by advice/messages.

The first message is displayed when the remaining range is approximately 1,500 miles, and is repeated every 62 miles until the range reaches 1,000 miles, at which point the warning turns amber. This warning is repeated every 31 miles and is accompanied by an audible tone. If these warnings are not acted upon, the warning turns red; once this happens the car will not restart once the ignition is turned off. This is not a fault, but a required feature of the system. If this stage is reached the system will need a full top-up before the car can be restarted. Further information is available in the vehicle handbook.

## Why should I use a Volkswagen Authorised repairer for top-ups?

- AdBlue® top-ups at authorised repairers are extremely competitive and charged by the litre, so you only pay for what you need
- Authorised repairer staff are trained to handle AdBlue®
- AdBlue® tanks need special adaptors on fillers to ensure there are no spillages
- Volkswagen do not recommend keeping top-up bottles in cars

The top-up bottles supplied by Volkswagen have a capacity of 1.89 litres, and come complete with the adaptor nozzles that fit the Volkswagen AdBlue® tank. These are available from all Volkswagen Authorised repairers.



AdBlue® warning lights.

## Important information

- AdBlue® is not a fuel additive. This is why there is a separate AdBlue® tank
- If you put AdBlue® in your fuel tank by mistake, please do not start the engine, but contact a retailer for help
- Put only AdBlue® in the AdBlue® tank; do not fill the AdBlue® tank with any other liquids
- Prevent anything from contaminating AdBlue®
- If small quantities of AdBlue® come into contact with the vehicle's paintwork, for example, wipe them off and if necessary rinse the area with water



Model shown is Passat Estate R-Line with optional 19" 'Verona' alloy wheels and metallic paint.



# Volkswagen service.

**Exclusions and terms and conditions apply to all warranties and plans listed. For pricing and further details of Volkswagen Warranties and Service Plans, please consult your authorised Volkswagen retailer or repairer, or visit [www.volkswagen.co.uk](http://www.volkswagen.co.uk)**

## The Volkswagen Warranty Three-year Warranty

All Volkswagen passenger cars come with a three-year/60,000 miles warranty, which protects your car against the failure of most technical and electrical components due to manufacturing defects. This comprises a two-year manufacturer’s warranty with unlimited mileage plus a further one-year/60,000 miles (whichever is soonest) Retailer Warranty<sup>1</sup>. Should the mileage exceed 60,000 miles within the first two years, the manufacturer’s two-year warranty will still be valid. Full details of the three-year warranty are available from your authorised Volkswagen retailer or repairer.

## Body Protection Warranty

The internal body sections and panels of the Passat are covered against rusting through from the inside for 12 years. Naturally, the vehicle must be cared for in compliance with the manufacturer’s operating instructions. Please consult your authorised Volkswagen retailer or repairer for full warranty details.

## Three-year Paintwork Warranty

This latest paintwork warranty, pioneered by Volkswagen, provides you with cover on a new car. Naturally, during the warranty period the car must be cared for in compliance with the manufacturer’s operating instructions. Any paintwork defects, as a result of the manufacturing process, will be rectified without charge.

## Approved Accessories

A comprehensive range of accessories from alloy wheels to carpet mats is available to complement the factory-fitted option list. Volkswagen approved accessories purchased from and fitted by your authorised Volkswagen retailer at the point of vehicle sale will also benefit from the three-year vehicle warranty.

## Eight-year Battery Warranty (plug-in hybrid models only)

1. A guarantee for eight years or 99,360 miles/160,000km (whichever is soonest), on all material or manufacturing defects.
2. Gradual reduction in battery capacity over times is integral to the nature of the component, and does not represent a defect under the terms of this guarantee, as long as the reduction in capacity is not in excess of the value specified for this vehicle in the owner’s manual.
3. With the exception of the warranty term, all warranty conditions stipulated by the Volkswagen retailer selling the vehicle (prerequisites, criteria for freedom from defects, exclusions, settlement of claims, entry into force and start of extended warranty term, scope of application etc.) also apply to the high voltage battery.

## EV and PHEV vehicle

Home charging using a domestic socket will depend on the condition and suitability of the wiring in your home. Always consult a qualified electrician before charging when using a domestic socket for the first time, or, if the socket is to be used as the primary source of charging. Domestic sockets on the same circuit as other appliances, particularly those in frequent use, will draw additional amperage which may result in a breaker switch being ‘tripped’. Establishing a separate circuit for home charging will help ensure your electric vehicle is supplied with a consistent, uninterrupted current. For optimum charging, we recommend installing an electric vehicle charging point at home.

## Service Intervals

Volkswagen is pleased to offer you a choice on how your Volkswagen is serviced. The appropriate selection is entirely dependent on how the car is likely to be driven and its general use. To help you identify which type of service would be most suitable, please refer to the following guide.

The Fixed Service is recommended for vehicles that will cover less than 10,000 miles in 12 months and if the vehicle is likely to be used in the following way:

- Predominantly urban driving, short journeys with frequent cold starts.
- Activities regularly producing high engine loading, e.g. frequent hill climbs, driving with vehicle fully loaded and towing.
- Uneconomical driving style using high rpms with heavy acceleration and heavy braking.

The service intervals for the Fixed Service are as follows:

- Oil change service – After 1 year or 10,000 miles (15,000km), whichever is soonest.
- Inspection service<sup>2</sup> – First after 2 years or 20,000 miles (30,000km), then every one year or 20,000 miles (30,000km), whichever is soonest.

The Flexible Service is recommended for vehicles with daily mileage of more than 25 miles where the vehicle is driven regularly mainly on longer distance journeys. The vehicle is driven mainly at a constant speed with minimum vehicle and engine loading, minimal towing and driven in an economical manner. With the Flexible Service the vehicle can cover anywhere between 10,000<sup>3</sup> and a maximum of 20,000<sup>3</sup> miles or 24 months (whichever is soonest) between oil changes.

The service intervals for the Flexible Service are as follows:

- Oil change service – According to flexible service interval display (after 2 years at the latest).
- Inspection service<sup>2</sup> – First after 2 years or 20,000 miles (30,000km), then every one year or 20,000 miles (30,000km), whichever is soonest.

The up! model is only available with the Fixed Service schedule. Please consult your authorised Volkswagen retailer or repairer for advice and full details.

Please note: If you purchase a Volkswagen Fixed Price Service Plan your vehicle will follow the Fixed Service schedule.

## Volkswagen Insurance<sup>4</sup>

We want you to start enjoying your new car from day one, and thanks to our 5 day complimentary Volkswagen Drive Away Insurance you can. Call 0345 300 6119 (lines are open Monday to Friday 8am-8pm and Saturday 9am-5pm). If eligible, we will also give you a quotation for our annual insurance, designed specifically for Volkswagen drivers.

## Volkswagen Ensurance<sup>5</sup>

Get three years’ Volkswagen Ensurance cover for free.

Another great benefit of being a Volkswagen driver. If your Volkswagen was damaged in an accident, wouldn’t you want it fixed by a Volkswagen trained technician using only genuine Volkswagen parts? Ensurance is Volkswagen’s accident and repair cover which does exactly that. It works alongside your main comprehensive motor insurance policy no matter who you are insured with, to make sure you get the quality repair and service you would want. If you’re involved in an accident or your car is stolen, just one call to us and we’ll look after your claim from start to finish ensuring your Volkswagen is restored to the highest standard.

Activate your cover and benefit from:

- A guarantee that your Volkswagen will be repaired by a Volkswagen approved repairer and Volkswagen trained technicians, using only genuine Volkswagen parts and paints.
- A dedicated Claims Manager who will manage your claim from start to finish, liaising with your insurer and the repairer so you don’t have to.
- Help to recover any uninsured losses using our Legal Expenses Cover.
- Online claims tracking so you can keep up to date with the status of any claim.

Volkswagen Ensurance is free to all Volkswagen customers for three years and it only takes a minute to get cover. To find out more and to activate your cover, visit [www.volkswagen-ensurance.co.uk](http://www.volkswagen-ensurance.co.uk)

## Volkswagen Finance<sup>6</sup>

Volkswagen Finance specialises in providing funding solutions for Volkswagen drivers. Whether your Volkswagen is for private or business use, you can choose from a range of funding options.

- Solutions – a Personal Contract Plan
- Hire purchase
- Lease purchase
- Finance lease
- Contract hire

With all Volkswagen Finance products you can choose a fixed-cost maintenance plan to help you budget for your servicing and maintenance costs. No matter what finance product you choose, your local Volkswagen retailer will be able to provide you with a personalised quote that could meet your budget and vehicle needs.

## Fuel consumption and CO<sub>2</sub> Emissions

Fuel consumption and CO<sub>2</sub> figures are obtained under standardised EU test conditions (Directive 93/116/EEC). This allows a direct comparison between different manufacturer models but may not represent the actual fuel consumption achieved in ‘real world’ driving conditions. More information is available on the Volkswagen website at [www.volkswagen.co.uk](http://www.volkswagen.co.uk) and at [www.dft.gov.uk/vca](http://www.dft.gov.uk/vca). The weight of a vehicle will influence the level of CO<sub>2</sub> emissions it produces; as a result, vehicles with higher levels of specification and factory-fitted options may emit higher levels of CO<sub>2</sub>. Choosing larger alloy wheels than those fitted as standard may result in increased fuel consumption as well as higher CO<sub>2</sub> emissions and subsequently an increased Vehicle Excise Duty (VED) band. BIK rates paid by company car drivers may also increase. In some instances, the recommended ‘On the road’ retail price paid for a vehicle may increase as a result of the increased VED rate. CO<sub>2</sub> is the main greenhouse gas responsible for global warming. The specifications contained in this brochure are for information purposes only and are subject to change.

## AdBlue<sup>®</sup>

Diesel engines with SCR (Selective Catalytic Reduction) technology require AdBlue<sup>®</sup> which must be kept topped up. Please see page 52 or visit [www.volkswagen.co.uk/technology/adblue](http://www.volkswagen.co.uk/technology/adblue) for more details.

## Volkswagen Roadside Assistance

Every new car is registered for Volkswagen Roadside Assistance for one year except the Touareg which is registered for three years. This provides vehicle roadside and home recovery in the unlikely event of a breakdown in the UK and Europe (subject to conditions). Volkswagen Roadside Assistance can also be purchased for subsequent years.

**Exclusions and terms and conditions apply. For pricing and further details of Volkswagen Roadside Assistance, please consult your authorised Volkswagen retailer, or visit [www.volkswagen.co.uk](http://www.volkswagen.co.uk)**

## Tax Free Sales

For full details, please contact your authorised Volkswagen retailer.

## Please note:

Some illustrations in this brochure do not necessarily reflect UK specifications and may not be available. In particular, controls and some items of equipment are positioned differently for the UK. The specifications contained in this brochure are for information purposes only and are subject to change. If you require any specific feature, you must consult your authorised Volkswagen retailer who is regularly updated with any change in specification. Please check model availability and full specification details with your authorised Volkswagen retailer prior to ordering. Note: we would like to advise you that telephone calls to Volkswagen Customer Care may be monitored and recorded as part of our training and quality assurance processes. All our monitoring and recording processes meet Ofcom regulations.

<sup>1</sup> All warranty work must be completed by an authorised Volkswagen retailer or repairer.  
<sup>2</sup> The inspection service first at 3 years (or 40,000 miles) and then every second year (or 40,000 miles) has additional workscope.  
<sup>3</sup> The quoted mileage is based on a conversion from kilometres and is therefore unlikely to exceed circa 18,000 miles between oil changes.  
<sup>4</sup> Volkswagen Car Insurance is underwritten by U K Insurance Limited. Registered Office: The Wharf, Neville Street, Leeds LS1 4AZ. Registered in England and Wales number: 1179980. U K Insurance Limited is authorised by the Prudential Regulation Authority and regulated by the Financial Conduct Authority (FCA) and the Prudential Regulation Authority. Calls may be recorded. Volkswagen Financial Services is a trading name of Volkswagen Financial Services (UK) Limited (‘VWFS UK’), registered in England and Wales number: 2835230 (Registered Office: Brunswick Court, Yeomans Drive, Blakelands, Milton Keynes MK14 5LR). Volkswagen Insurance Service (Great Britain) Ltd. is an appointed representative of VWFS UK. VWFS UK is authorised and regulated by the FCA, registration number: 311988. Authorisation details for both organisations can be checked on the Financial Services Register by visiting [www.fca.org.uk](http://www.fca.org.uk). VWFS UK and U K Insurance Limited are not part of the same corporate group.  
<sup>5</sup> Ensurance from Volkswagen Financial Services is sold and administered by Lawshield UK Limited, registered in England number: 3360532. Registered office: Lawshield House, 850 Ibis Court, Lakeside Drive, Centre Park, Warrington, Cheshire, WA1 1RL and underwritten by UK General Insurance Limited on behalf of Great Lakes Insurance SE. Great Lakes Insurance SE is a German insurance company with its headquarters at Königinstrasse 107, 80802 Munich. UK Branch office: Plantation Place, 30 Fenchurch Street, London, EC3M 3AJ. Lawshield UK Limited is authorised and regulated by the Financial Conduct Authority (FCA). Authorisation details can be checked on the FCA’s register at [www.fca.org.uk](http://www.fca.org.uk). Great Lakes Insurance SE, UK Branch, is authorised by Bundesanstalt für Finanzdienstleistungsaufsicht and subject to limited regulation by the Financial Conduct Authority and Prudential Regulation Authority. Details about the extent of their regulation by the Financial Conduct Authority and Prudential Regulation Authority are available on request.  
<sup>6</sup> Finance is available to 18s and over, subject to status. Terms and conditions apply. Volkswagen Finance.



# The Passat and Passat Estate

Volkswagen Information Service. Telephone: 0800 333 666

Internet: [www.volkswagen.co.uk](http://www.volkswagen.co.uk)

© Volkswagen Group United Kingdom Limited 2018.

Issue: 6 September 2018.



[facebook.com/VolkswagenUK](https://facebook.com/VolkswagenUK)



[@UKVolkswagen](https://twitter.com/@UKVolkswagen)



[youtube.com/user/ukvolkswagen](https://youtube.com/user/ukvolkswagen)