



Volkswagen

The new Tiguan Allspace





Model shown is new Tiguan Allspace R-Line with optional metallic paint.

The new Tiguan Allspace. Lots of room for adventure.

Whatever you plan to do, family holidays, sightseeing trips or days out, the new Tiguan Allspace provides all the space you'll ever need. With its generous passenger compartment and third row seats*, it has room for everyone and everything. The longer wheelbase not only creates more space and more flexibility, it also accentuates its dynamic shape. The higher bonnet, distinctive front grille, striking lights, longer rear doors and roof rails as standard create a sharp new look, while off-road options, innovative technology and the latest assistance systems ensure it's equipped for every adventure.

* For passengers up to max. 1.60 m.



Free space. As far as the eye can see.

Thanks to the new Tiguan Allspace's ergonomic design, roomy interior and exceptional build quality, you cannot only see the space, but feel it too. There's as much luggage and legroom as you could wish for, and the flexible passenger compartment and third row seating* gives you the freedom to spontaneously change plans, as you wish.



01 – 02 The generous cabin space ensures plenty of rear legroom, ideal for those with longer legs or perfect for carrying larger items of luggage. The **second row** can be adjusted by up to 18cm or symmetrically divided and folded, providing exceptional flexibility. The folding centre armrest with two integrated cup holders offers additional comfort.

03 – 04 As well as five seats as standard in the first and second rows, the third row seats* provides space for two further passengers. The outer seats in the second row fold down and push forwards providing easy access, and the **third row seats** also partially or completely fold down, increasing the load volume of the boot correspondingly. Versatile, flexible and immensely practical, the new Tiguan Allspace is a real all-rounder.

05 The **thoughtfully designed dashboard and controls** are characterised by clarity, ease of use and attention to detail. Focus on the centre console which is angled towards the driver, allowing a perfect view of the instrument dials and infotainment system's screen.

* Recommended for passengers up to maximum height of 1.60 m. Models shown feature optional 'Vienna' leather upholstery.



Interior shown is new Tiguan Allspace SEL with optional Discover Navigation Pro touch-screen navigation/DVD infotainment system, 'Dynaudio Excite' soundpack, 'Vienna' leather upholstery and metallic paint.

R-Line.

It's up to you to decide how dynamic you want your new Tiguan Allspace R-Line to be. The R-Line model features lowered sports suspension meaning great cornering, or for even more control over your drive you can specify optional Dynamic Chassis Control for a choice of Sport, Comfort or Normal suspension settings. Distinctive R-Line styling includes 20 inch 'Suzuka' alloy wheels, uniquely shaped body-coloured front and rear bumpers, 'C' signature 'Gloss Black' front air intakes and body-coloured side skirts. Inside, the sporty refinement continues.



01 Black rooflining, aluminium-look decorative inserts and a leather-trimmed multifunction steering wheel create a dynamic interior, while sports seats upholstered in 'Race' cloth with 'San Remo' microfibre, together with the characteristic 'R-Line' logo on the front seat backrests, add an elegant touch and provide maximum support.

R-Line models will be available to order in March 2018. For full details, please contact your authorised Volkswagen retailer.



Model shown is new Tiguan Allspace R-Line with optional headlight washers and metallic paint.



Interior shown is new Tiguan Allspace SEL with optional Discover Navigation Pro touch-screen navigation/DVD infotainment system, 'Dynaudio Excite' soundpack, 'Vienna' leather upholstery and metallic paint.

Mobility. On road. Off-road. Online.

The new Tiguan Allspace offers freedom in every sense of the word, thanks to the latest Car-Net online services and infotainment systems. A wealth of communication, entertainment and navigation options gives you total independence, wherever you are. Find the quickest route to the beach, the nearest restaurant or the perfect soundtrack for your trip, even without using your hands if you select the optional Discover Navigation Pro infotainment system or voice activation.



01



02



03

01 The Discover Navigation touch-screen navigation/infotainment system with Car Net 'Guide and Inform' and 8.0 inch colour touch-screen display provides navigational functionality, dynamic navigation based on TMC+, branded points of interest, preloaded European navigation data, Speed Limit Display¹ and three routes (Fast, Short and Eco), 2D/3D map view and Volkswagen Media Control² which allows remote control of the infotainment system via smartphone or tablet. It comes with 3-years' Car Net 'Guide and Inform'³, providing online access to such information as traffic, fuel pricing, weather and news feeds; and includes online navigation software updates enabling you to download the latest map data. The infotainment system also includes a DAB digital radio receiver, single CD player, MDI (Multi Device Interface) via USB connection – compatible products only, music playback from MP3, WMA and AAC files, title and cover art display and SD card reader. Connection for Bluetooth telephone and audio compatible devices⁴ are available, along with simultaneous pairing of two compatible mobile devices and SMS functionality – allowing you to read, compose and send SMS messages using the touch-screen display when the vehicle is stationary (compatible Android smartphones only). Standard on all models.

02 Depending on which smartphone you have, you can connect Car-Net 'App-Connect'⁵ via one of three interfaces: Apple 'CarPlay', Google 'Android Auto' or 'MirrorLink'[™], allowing your smartphone display to be 'mirrored' on the infotainment touch-screen via USB connection and giving access to your favourite smartphone functions, such as music, messages, phone and news. Volkswagen apps such as 'Think Blue. Trainer.', 'Shared Audio', 'Drive & Track' or 'My Guide' can help to make your journey more pleasant and interesting by providing useful tips about handling your car, parking opportunities and even where to find the closest café. Volkswagen Apps are only available with compatible smartphones. Please consult www.volkswagen.co.uk to check smartphone compatibility. Usage of certified apps only while driving. Standard on all models. Image shown features optional Discover Navigation Pro touchscreen navigation/DVD infotainment system.

03 The Discover Navigation Pro touch-screen navigation/DVD infotainment system with integrated voice activation, 'Gesture Control', Car-Net 'Guide and Inform Plus'³ and Car-Net 'App-Connect' can be operated intuitively via the 9.2 inch colour touch-screen, enabling you to manage music and navigation data. Also featured is gesture control for use with various different menus, responding to a sideways swiping gesture and confirming a successful swipe with a sound effect, which can be deactivated if required. Eight powerful speakers deliver great acoustics and the DVD system is compatible with MP3, WMA and AAC files. It also offers a 64 GB SSD hard drive, two SD card readers, photo display from JPEG and PNG files, voice control and USB connection. The Discover Navigation Pro also features 'Guide and Inform Plus' providing online access to a range of useful information such as traffic, fuel pricing, weather and news feeds. In addition, the Car-Net 'App-Connect' combines the functionality of Apple 'CarPlay', Google 'Android Auto' and 'MirrorLink'[™] allowing 'mirroring' of a smartphone display on the infotainment touch-screen via USB connection. Display and operation of certified apps including audio and voice control (if supported by the app). Usage of certified apps only while driving. Only operable in conjunction with compatible smartphones including iPhone 5 and above. Display and operation of certified apps including audio and voice control (if supported by the app). Usage of certified apps only while driving. Please see www.volkswagen.co.uk to check smartphone compatibility Optional on all models.

¹ Speed Limit Display only reflects national speed limits and does not show temporary speed limit restrictions, or where permanent changes to speed limits are made in-between map updates.

² Only operable in conjunction with compatible tablets and smartphones including iPhone 5 and above. Please see www.volkswagen.co.uk to check compatibility. Usage of certified apps only while driving. Please see www.volkswagen.co.uk to check smartphone compatibility.

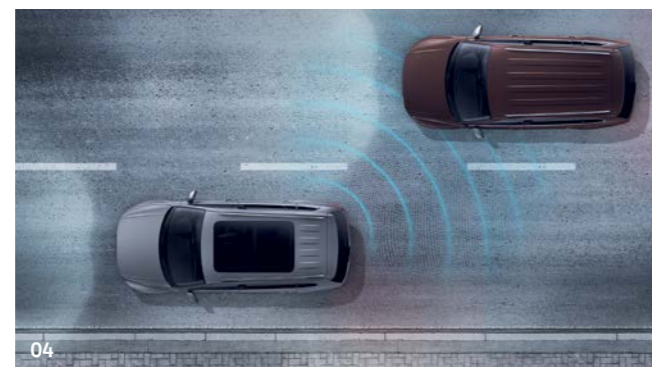
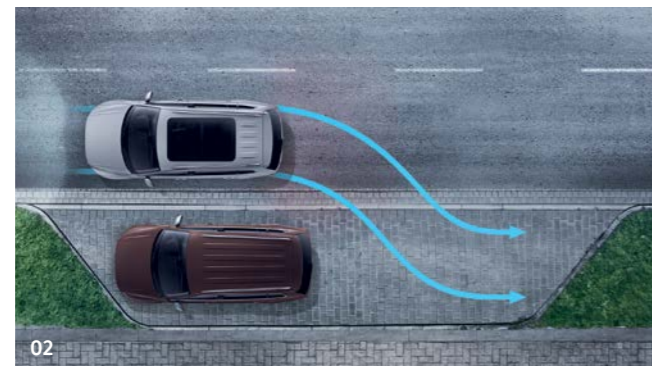
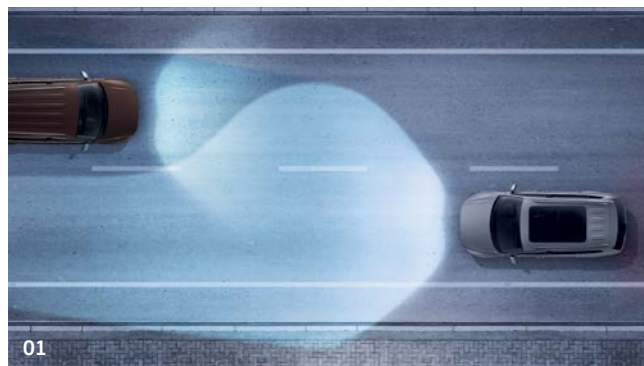
³ Car-Net 'Guide and Inform' services are accessed via a compatible mobile device. Please see www.volkswagen.co.uk for more information. The use of 'Guide and Inform' services entails exchanging large volumes of data. As such, we strongly recommend that you sign-up for a flat rate data plan with your mobile network provider. After the initial 3-year Car-Net contract, an annual subscription is chargeable for the continuation of 'Guide and Inform' services.

⁴ Devices must be Bluetooth HFP (Hands Free Profile) compatible, please contact your authorised Volkswagen retailer for specific phone compatibility.

⁵ Only operable in conjunction with compatible smartphones including iPhone 5 and above. Display and operation of certified apps including audio and voice control (if supported by the app). Usage of certified apps only while driving. Please see www.volkswagen.co.uk to check smartphone compatibility.

Advanced driver's assistance systems.

Whatever your plans, the new Tiguan Allspace's driver assistance systems are designed to make everyday life easier and support you in demanding traffic situations.



01 Intelligent LED self-levelling headlights with separate LED daytime running lights and Dynamic Light Assist. The **Dynamic Light Assist** ensures greater visibility on the road by automatically controlling the main beam by partially masking the beam so it doesn't dazzle oncoming road users, but allows main beam to remain on. Standard on SEL and R-Line and optional on SE Navigation models.

02 The **Park Assist system with rear-view camera** not only makes parallel parking easier, but also helps you reverse park into a space at 90 degrees to the kerb. Using ultrasonic sensors, Park Assist will detect a parking space large enough for either bay or parallel parking. Once the vehicle is in reverse, all the driver has to do is operate the accelerator and brake, and keep a lookout, while the Tiguan steers itself into its chosen space. The **rear-view camera** displays the area behind your vehicle on the screen of the vehicle's infotainment system, helping you to manoeuvre into tight spaces quickly and easily. Auxiliary lines help you navigate safely into parking spaces, and thanks to the high resolution display, even small obstacles such as kerbs are visible. Optional on all models.

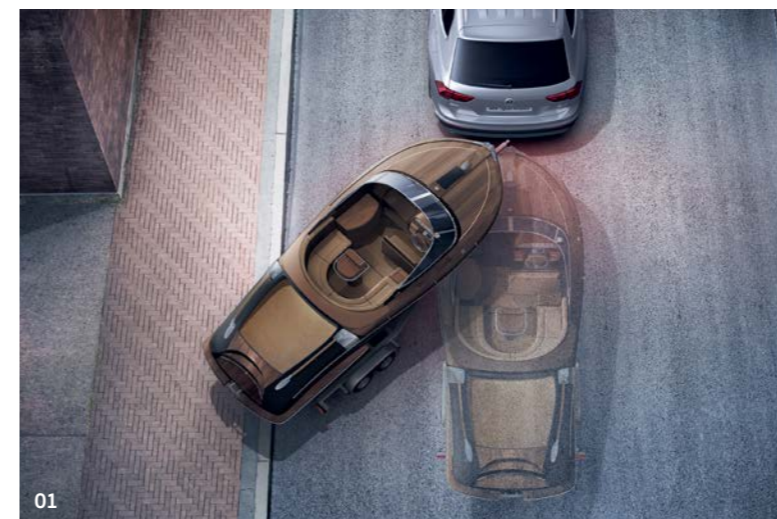
03 **Lane Assist** is a camera controlled warning system that warns you if your vehicle drifts out of its lane helping to reduce the chance of an accident and helping to make long motorway journeys safer. Using a camera located in the rear-view mirror unit, it monitors the road markings and prevents unintentional lane deviations. The system only intervenes if the indicators are not used, so if you decide to change lanes and indicate, the intelligent system recognises this and switches off. Standard on all models.

04 **Side Scan** provides assistance if you want to change lanes from speeds of 37mph upwards. Sensors in the rear of the vehicle monitor the traffic and should they detect any road users in your blind spot or vehicles approaching quickly from behind, the system will alert you via a warning light within the door mirror housing and an audible warning within the vehicle. The parking assistant monitors the area behind and next to your vehicle, alerting you if it detects a vehicle or object, and automatically instigating an emergency stop if a collision is imminent. Not in conjunction with Emergency Assist. Optional on all models.

Images shown are for illustration purposes only and may not necessarily reflect UK specification.

Comfort and convenience.

With its generous new boot, the Tiguan Allspace provides a wide range of flexible solutions, preparing you for every adventure. The boot floor, for example, can be adjusted to two heights, depending on the amount of luggage you wish to carry.



01 **Trailer Assist including Park Assist and rear-view camera** helps you reverse more easily and accurately with a trailer or caravan hitched. The optical display visualises actual and possible steering angles in the instrument cluster. Reverse steering is automatic, with direction controlled via the mirror adjustment switch which acts as a joystick, while the driver controls the pedals and keeps a good look out. Optional on all models. Only in conjunction with the optional swivelling towbar.



02 - 04 Travelling with lots of luggage? No problem for the new Tiguan Allspace. In this seven-seater, there's a 230 litre boot behind the third row. Fold the third row seats flat and the boot space increases to 700 litres, fold the second row flat and you have **1,775 litres of boot space**.

Alloy wheels.



01

SE

01 'Patagonia' 7J x 18 alloy wheels with 235/55 R18 mobility self-sealing tyres and anti-theft wheel bolts.

02 'Victoria' 7J x 19 alloy wheels with 235/50 R19 mobility self-sealing tyres and anti-theft wheel bolts.

03 'Suzuka' 8½J x 20 alloy wheels with 255/40 R20 mobility self-sealing tyres and anti-theft wheel bolts.

04 'Kingston' 7J x 18 alloy wheels with 235/55 R18 mobility self-sealing tyres and anti-theft wheel bolts.

05 'Miramar' grey metallic¹ 8J x 20 alloy wheels with 235/45 R20 mobility self-sealing tyres and anti-theft wheel bolts.

■ Standard □ Optional

SE NAV | SE SEL | SEL R-Line | RL

Please note, choosing optional alloy wheels does not affect CO₂ emissions on Tiguan Allspace models. Choosing larger alloy wheels than standard, as an option, may result in increased fuel consumption. This is due to the fact that larger wheels have both more aerodynamic drag and more mechanical drag, resulting in increased rolling resistance and increased wind resistance. Models shown feature optional metallic paint.

¹ Must be ordered in conjunction with Dynamic Chassis Control (DCC) or sports suspension.



02

SEL



04

SE



03

RL



05

SEL



Model shown is new Tiguan Allspace R-Line with optional metallic paint.

Paint.



01

SE **SEL** **RL**



02

SE **SEL** **RL**



03

SE **SEL**



04

SE **SEL** **RL**



05

SE **SEL** **RL**



06

SE **SEL** **RL**



07

SE **SEL** **RL**



08

SE **SEL** **RL**



09

SE **SEL** **RL**

- 01 Pure White Non-Metallic 0Q
- 02 Blue Silk Metallic 2B
- 03 Dark Bronze Metallic 2J
- 04 Platinum Grey Metallic 2R
- 05 Ruby Red Metallic 7H
- 06 White Silver Metallic K8
- 07 Dark Moss Green Metallic X1
- 08 Deep Black Pearl Effect 2T
- 09 Habanero Orange Premium Signature V9

SE Standard Optional
 SE NAV | **SE** **SEL** | **SEL** R-Line | **RL**

Please note: Colour range is reproduced for illustration purposes only. Actual on-car colours may vary from those shown, as print processes do not allow exact reproduction of the paint colours.
 Models shown are new Tiguan Allspace SEL with optional Park Assist and headlight washers.

Upholstery.



01

SE



02

SE



03

SEL



04

SEL



05

RL



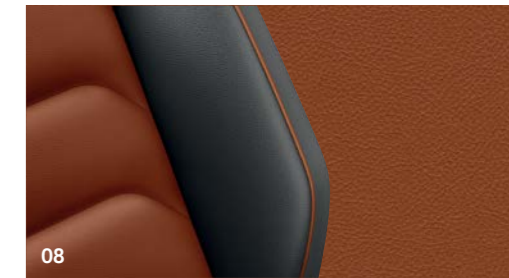
06

SE **SEL**



07

SE **SEL**



08

SE **SEL**



09

RL

Standard on SE Navigation models

- 01 'Lasano' cloth – Titan Black BG
- 02 'Lasano' cloth – Storm Grey FY

Standard on SEL models

- 03 'Lounge' cloth with Art Velours microfleece – Titan Black BG
- 04 'Lounge' cloth with Art Velours microfleece – Titan Black BG

Standard on R-Line models

- 05 'Race' cloth with 'San Remo' microfibre – Dark Magnetic Grey OV

SE Standard Optional
 SE NAV | **SE** **SEL** | **SEL** R-Line | **RL**

Optional on SE Navigation and SEL models

- 06 'Vienna' leather* – Titan Black BG
- 07 'Vienna' leather* – Storm Grey FY
- 08 'Vienna' leather* – Saffrano Orange NY

Optional on R-Line models

- 09 'Vienna' leather* – Black/Crystal Grey IH

* Some parts of leather interior will contain artificial leather.
 Please note: Swatches reproduced for illustration purposes only. Actual upholstery colours may vary from those shown, as print processes do not allow exact reproduction of the upholstery colours.

Combinations.

	Carpet	Dashboard	Pure White Non-Metallic 0Q	Blue Silk Metallic* 2B	Dark Bronze Metallic* 2J	Platinum Grey Metallic* 2R	Ruby Red Metallic* 7H	White Silver Metallic* K8	Dark Moss Green Metallic* X1	Deep Black Pearl Effect* 2T	Habanero Orange Premium Signature* V9
'Lasano' cloth											
Standard on SE Navigation models											
Titan Black BG	Titan Black	Titan Black/Titan Black	●	●	●	●	●	●	●	●	●
Storm Grey FY	Titan Black	Titan Black/Cornsilk Beige	●	●	●	●	●	●	●	●	●
'Lounge' cloth with Art Velours microfleece											
Standard on SEL models											
Titan Black BG	Titan Black	Titan Black/Titan Black	●	●	●	●	●	●	●	●	●
Storm Grey FY	Titan Black	Titan Black/Cornsilk Beige	●	●	●	●	●	●	●	●	●
'Race' cloth with 'San Remo' microfibre											
Standard on R-Line models											
Dark Magnetic Grey OV	Titan Black	Titan Black/Titan Black	●	●	-	●	●	●	●	●	●
'Vienna' leather**†											
Optional on SE Navigation and SEL models											
Titan Black BG	Titan Black	Titan Black/Titan Black	○	○	○	○	○	○	○	○	○
Storm Grey FY	Titan Black	Titan Black/Cornsilk Beige	○	○	○	○	○	○	○	○	○
Saffrano Orange NY	Titan Black	Titan Black/Titan Black	○	-	-	○	-	○	○	○	-
'Vienna' leather**†											
Optional on R-Line models											
Black/Crystal Grey IH	Titan Black	Titan Black/Titan Black	○	○	-	○	○	○	○	○	○

* Metallic, pearl effect and premium signature paints, and leather upholstery are optional at extra cost.
 † Some parts of leather interior will contain artificial leather.
 ● Standard ○ Optional at extra cost - Not available.



Interior shown features optional Storm Grey 'Vienna' leather upholstery.

There's a Volkswagen for all of us.

Nippy city run around? Luxurious executive saloon? Open-top cruiser? Whatever it is you're looking for, we probably have it. From the iconic Beetle and Golf GTI to the compact up!, there's a Volkswagen for everyone.

If you're thinking you might like to try a different Volkswagen, there are over 20 models in our range, so there's bound to be at least one that catches your eye.



Sporty

Golf: As exciting to drive as it is to look at. Style, performance and power.

You will also find our sporty gene in the iconic Golf GTD, Golf GTI and Golf R.



Spacious family cars

Sharan: The ultimate in convenience with sliding rear doors, and enough space for the whole family. And their luggage. And the dogs.

If it's space you're after, then you might also like to consider the Tiguan, Tiguan Allspace, Golf SV, Golf Estate, Touran and Passat Estate.



Style

Beetle: The original icon. And still the most unique way to make a fashion statement.

For more fun with the top down, why not consider the Beetle Cabriolet.



City run around

up!: The ideal city car. Fun, easy to manoeuvre and surprisingly spacious, with that trademark Volkswagen solidity.

If you're looking for something slightly more spacious, then why not consider the up!'s bigger sibling, the Polo. City run around practicality with more versatility and even more space can be found on the iconic Golf.



Executive

Volkswagen Passat: Perfectly turned out high-tech, executive luxury. A contemporary, stylish and innovative Saloon.

All the luxury you need can also be found in the Jetta, as well as the spacious, stylish and practical Passat Estate.



4x4

Touareg: The SUV just got smarter. True four by four capability off-road, and smooth, luxurious and powerful when on it, with four wheel drive technology, '4MOTION' as standard.

Go everywhere, do anything in our four wheel drive alternatives: Golf Alltrack, Tiguan, Tiguan Allspace and Passat and Passat Estate 4MOTION models.

To see these models and configure your ideal Volkswagen, visit: www.volkswagen.co.uk

Technical specification.

	SE Navigation 1.4 ltr TSI ACT 150 PS 2WD	SE Navigation, SEL, R-Line* 1.4 ltr TSI ACT 150 PS 2WD	SEL, R-Line* 2.0 ltr TSI 180 PS 4MOTION	SE Navigation, SEL, R-Line* 2.0 ltr TDI SCR 150 PS 2WD	SE Navigation, SEL, R-Line* 2.0 ltr TDI SCR 150 PS 4MOTION	SE Navigation, SEL, R-Line* 2.0 ltr TDI SCR 190 PS 4MOTION	SEL, R-Line* 2.0 ltr BiTDI SCR 240 PS 4MOTION
Engine							
Engine type	4 cylinder petrol	4 cylinder petrol	4 cylinder petrol	4 cylinder diesel	4 cylinder diesel	4 cylinder diesel	4 cylinder diesel
Cubic capacity, ltrs/cc	1.4/1395	1.4/1395	2.0/1984	2.0/1968	2.0/1968	2.0/1968	2.0/1968
Max. output, PS ⁽⁰¹⁾ /kW	150/110	150/110	180/132	150/110	150/110	190/140	240/176
at rpm	5000-6000	5000-6000	3940-6000	3500-4000	3500-4000	3500-4000	4000
Max. torque, lbs.ft/Nm	185/250	185/250	236/320	251/340	251/340	295/400	369/500
at rpm	1500-3500	1500-3500	1500-3940	1750-3000	1750-3000	1900-3300	1750-2500
Gearbox	6-spd manual	-	-	6-spd manual	6-spd manual	-	-
	-	6-spd auto DSG	7-spd auto DSG	7-spd auto DSG	7-spd auto DSG	7-spd auto DSG	7-spd auto DSG

Weights, kgs							
Manual gearbox:							
Unladen weight ⁽⁰²⁾	1610	-	-	1700	1775	-	-
Gross vehicle weight	2210	-	-	2290	2360	-	-
Payload ⁽⁰²⁾	605	-	-	595	640	-	-
Axle load limit: Front	TBA	-	-	TBA	TBA	-	-
Rear	TBA	-	-	TBA	TBA	-	-
Automatic DSG gearbox:							
Unladen weight ⁽⁰²⁾	-	1630	1775	1735	1815	1845	1920
Gross vehicle weight	-	2230	2360	2320	2360	2420	2430
Payload ⁽⁰²⁾	-	785	640	590	620	610	605
Axle load limit: Front	-	TBA	TBA	TBA	TBA	TBA	TBA
Rear	-	TBA	TBA	TBA	TBA	TBA	TBA

Trailer load limits, kgs ⁽⁰³⁾							
Braked 12% incline:							
Manual gearbox	1800	-	-	2000	2400	-	-
Automatic DSG gearbox	-	1800	2400	2000	2400	2400	2500
Unbraked:							
Manual gearbox	750	-	-	750	750	-	-
Automatic DSG gearbox	-	750	750	750	750	750	750
Towbar load limit	TBA	TBA	TBA	TBA	TBA	TBA	TBA
Max. roof load	TBA	TBA	TBA	TBA	TBA	TBA	TBA

* R-Line models will be available to order in March 2018. For full details, please contact your authorised Volkswagen retailer.

	SE Navigation 1.4 ltr TSI ACT 150 PS 2WD	SE Navigation, SEL, R-Line* 1.4 ltr TSI ACT 150 PS 2WD	SEL, R-Line* 2.0 ltr TSI 180 PS 4MOTION	SE Navigation, SEL, R-Line* 2.0 ltr TDI SCR 150 PS 2WD	SE Navigation, SEL, R-Line* 2.0 ltr TDI SCR 150 PS 4MOTION	SE Navigation, SEL, R-Line* 2.0 ltr TDI SCR 190 PS 4MOTION	SEL, R-Line* 2.0 ltr BiTDI SCR 240 PS 4MOTION
Performance							
Top speed, mph (km/h), where the law permits							
Manual gearbox	124 (199)	-	-	126 (202)	124 (200)	-	-
Automatic DSG gearbox	-	123 (197)	129 (208)	124 (200)	123 (197)	130 (209)	142 (228)
Acceleration, secs 0 – 62mph							
Manual gearbox	9.5	-	-	9.8	9.9	-	-
Automatic DSG gearbox	-	9.5	8.2	9.8	9.9	8.6	6.7
ABI insurance group, 1 - 50	16E	16E, 17E, TBA	22E, TBA	17E, 18E, TBA	17E, 18E, TBA	22E, 23E, TBA	29E, TBA

Environmental information							
Fuel grade, minimum	Unleaded, 95 RON	Unleaded, 95 RON	Unleaded, 95 RON	Diesel ⁽⁰⁴⁾	Diesel ⁽⁰⁴⁾	Diesel ⁽⁰⁴⁾	Diesel ⁽⁰⁴⁾
Fuel tank capacity, galls/ltrs ⁽⁰⁵⁾	12.7/58	12.7/58	12.7/58	12.7/58	13.1/60	13.1/60	13.1/60

Official fuel consumption							
manual gearbox,							
mpg/ltr per 100km ⁽⁰⁶⁾							
Urban	39.2/7.2 ⁽⁰⁶⁾	-	-	47.9/5.9 ⁽⁰⁶⁾	41.5/6.8 ⁽⁰⁶⁾	-	-
Extra-urban	52.3/5.4 ⁽⁰⁶⁾	-	-	62.8/4.5 ⁽⁰⁶⁾	55.4/5.1 ⁽⁰⁶⁾	-	-
Combined	46.3/6.1 ⁽⁰⁶⁾	-	-	56.5/5.0 ⁽⁰⁶⁾	49.6/5.7 ⁽⁰⁶⁾	-	-

Official fuel consumption							
automatic DSG gearbox,							
mpg/ltr per 100km ⁽⁰⁶⁾							
Urban	-	36.7/7.7 ⁽⁰⁶⁾	30.4/9.3	47.1/6.0 ⁽⁰⁶⁾	41.5/6.8 ⁽⁰⁶⁾	42.2/6.7 ⁽⁰⁶⁾	36.7/7.7 ⁽⁰⁶⁾
Extra-urban	-	48.7/5.8 ⁽⁰⁶⁾	42.2/6.7	61.4/4.6 ⁽⁰⁶⁾	55.4/5.1 ⁽⁰⁶⁾	53.3/5.3 ⁽⁰⁶⁾	48.7/5.8 ⁽⁰⁶⁾
Combined	-	43.5/6.5 ⁽⁰⁶⁾	36.7/7.7	55.4/5.1 ⁽⁰⁶⁾	47.9/5.9 ⁽⁰⁶⁾	47.9/5.9 ⁽⁰⁶⁾	43.5/6.5 ⁽⁰⁶⁾

Official CO₂ emission, g/km							
Manual gearbox ⁽⁰⁶⁾	137 ⁽⁰⁶⁾	-	-	131 ⁽⁰⁶⁾	150 ⁽⁰⁶⁾	-	-
Automatic DSG gearbox ⁽⁰⁶⁾	-	148 ⁽⁰⁶⁾	175 ⁽⁰⁶⁾	132 ⁽⁰⁶⁾	153 ⁽⁰⁶⁾	153 ⁽⁰⁶⁾	170 ⁽⁰⁶⁾
Emission class	EURO 6	EURO 6	EURO 6	EURO 6	EURO 6	EURO 6	EURO 6

Noise, dB							
Manual gearbox	TBA	TBA	-	TBA	TBA	-	-
Automatic DSG gearbox	-	TBA	TBA	TBA	TBA	TBA	TBA

* R-Line models will be available to order in March 2018. For full details, please contact your authorised Volkswagen retailer. SCR (Selective Catalytic Reduction) requires AdBlue®, please see page 25 or visit www.volkswagen.co.uk/technology/adblue for more details.

Technology.

Technical specification notes

- 01) The maximum power output figures are quoted in PS (or Pferdestärke, which is the metric equivalent of horsepower). To convert from metric to imperial horsepower, divide the PS figure by 1.0139.
- 02) Figures are calculated in accordance with manufacturer's criteria. The individual unladen weight depends on the specification of the vehicle, this then reduces the possible payload accordingly. The unladen weight and payload both include the fuel tank 90% full, driver (68kg) and luggage (7kg) in line with EU directive 95/48.
- 03) With increasing altitude the engine performance diminishes. From 1,000m above sea level and for every 1,000m thereafter 10% of the vehicle/trailer weight (trailer weight + gross vehicle weight) must be deducted.
- 04) The use of 100% RME and FAME (bio diesel) is not possible. Forecourt diesel with up to 7% bio diesel content, adhering to standard BS EN 590, can be used in diesel engines. The use of ethanol in forecourt petrol meeting BS EN 228 is allowable.
- 05) The size of the fuel tank is approximate and therefore it may be possible to add a greater amount of fuel than the size of the tank specified, due to the space in the filler neck.
- 06) Fuel consumption and CO₂ figures are obtained under standardised EU test conditions (Directive 93/116/EEC). This allows a direct comparison between different manufacturer models but may not represent the actual fuel consumption achieved in 'real world' driving conditions. More information is available on the Volkswagen website at www.volkswagen.co.uk and at www.dft.gov.uk/vca. The weight of a vehicle will influence the level of CO₂ emissions it produces; as a result, vehicles with higher levels of specification and factory-fitted options may emit higher levels of CO₂. Choosing larger alloy wheels than those fitted as standard may result in increased fuel consumption as well as higher CO₂ emissions and subsequently an increased Vehicle Excise Duty (VED) band. BIK rates paid by company car drivers may also increase. In some instances, the recommended 'On the road' retail price paid for a vehicle may increase as a result of the increased VED rate. CO₂ is the main greenhouse gas responsible for global warming. The specifications contained in this brochure are for information purposes only and are subject to change.

Transmission

- Electronic differential lock, combined with a hydraulically operated single-plate dry clutch with asbestos-free lining via a six manual or seven speed automatic DSG gearbox
- Front wheel drive through asbestos-free single-plate dry clutch. Hydraulic clutch-mechanism. Six speed manual, six or seven speed automatic DSG gearbox with double joint half axles (wet clutch on seven speed DSG models)
- Four wheel drive, 4MOTION: Six speed manual 1.4 litre TSI ACT 150 PS, 2.0 litre TDI SCR 150 PS
Six speed automatic DSG 1.4 litre TSI ACT 150 PS
Seven speed automatic DSG 2.0 litre TSI 180 PS, 2.0 litre TDI SCR 150 PS, 2.0 litre TDI SCR 190 PS, 2.0 litre BiTDI SCR 240 PS

Running gear

- ESC (Electronic Stability Control) including EDL (Electronic Differential Lock), ASR (Traction Control), EDTC (Engine Drag Torque Control) and Countersteer Support with trailer stabilisation function
- Front suspension through coil springs with telescopic shock absorbers, all elements integrated in chassis legs
- Rear suspension with gas pressure shock absorbers and separate springs
- Multilink rear axle
- Wheel control: front through chassis legs and (lower) triangular wishbones (directionally stabilising steering roll radius)
- Wheel control: rear through four-link suspension with independent wheel suspension
- Front and rear anti-roll bar
- XDS electronic differential lock

Steering

- Electro-mechanical steering rack
- Collapsible, height and lengthways adjustable safety steering column

Brakes

- Electronically controlled Anti-lock Braking System (ABS) with Electronic Brake-pressure Distribution (EBD)
- Diagonal twin-circuit brake system with ventilated front disc brakes and rear disc brakes
- Asbestos-free brake pad
- HBA (Hydraulic Brake Assist)

Engines

- Front transverse-installed engine
- 1.4 litre/150 PS⁽⁰¹⁾ (110 kW) petrol engine: EU6 emissions standard four cylinder in-line MPI (Multi Point Injection) engine, with four valves per cylinder. Includes ACT (Active Cylinder Technology) which shuts off 2 cylinders under certain driving conditions to reduce fuel consumption and emissions. Available with a six speed manual transmission or a six speed automatic DSG transmission
- 2.0 litre/180 PS⁽⁰¹⁾ (132 kW) petrol engine: EU6 emissions standard, four cylinder in-line direct injection turbocharged engine, with four valves per cylinder. Fitted with a turbocharger. Available with a seven speed automatic DSG transmission
- 2.0 litre/150 PS⁽⁰¹⁾ (110 kW) common rail diesel engine: EU6 emissions standard, four cylinder in-line common rail diesel engine, with four valves per cylinder. Fitted with a turbocharger and a DPF (diesel particulate filter) with SCR (Selective Catalytic Reduction). Available with a six speed manual or a seven speed automatic DSG transmission
- 2.0 litre/190 PS⁽⁰¹⁾ (140 kW) common rail diesel engine: EU6 emissions standard, four cylinder in-line common rail diesel engine, with four valves per cylinder. Fitted with a turbocharger and a DPF (diesel particulate filter) with SCR (Selective Catalytic Reduction). Available with a seven speed automatic DSG transmission
- 2.0 litre/240 PS⁽⁰¹⁾ (176 kW) common rail diesel engine: EU6 emissions standard, four cylinder in-line common rail diesel engine, with four valves per cylinder. Fitted with a turbocharger and a DPF (diesel particulate filter) with SCR (Selective Catalytic Reduction). Available with a seven speed automatic DSG transmission

SCR (Selective Catalytic Reduction) requires AdBlue®, please see page 25 or visit www.volkswagen.co.uk/technology/adblue for more details.

Dimensions.

Exterior dimensions

Length – min., mm	4701
Width – inc. door mirrors, mm	2099
Height – max., mm	1674
Height – opened tailgate/floor, mm	2097
Wheelbase, mm	2787
Turning circle, m	TBA

Interior dimensions

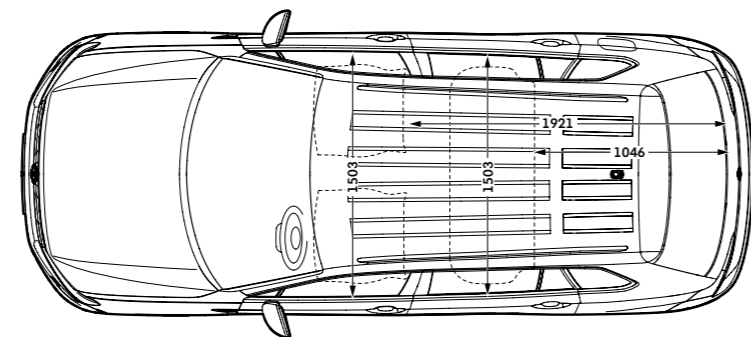
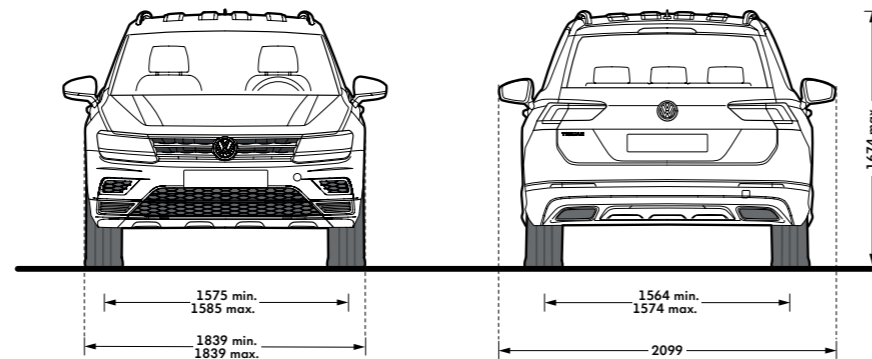
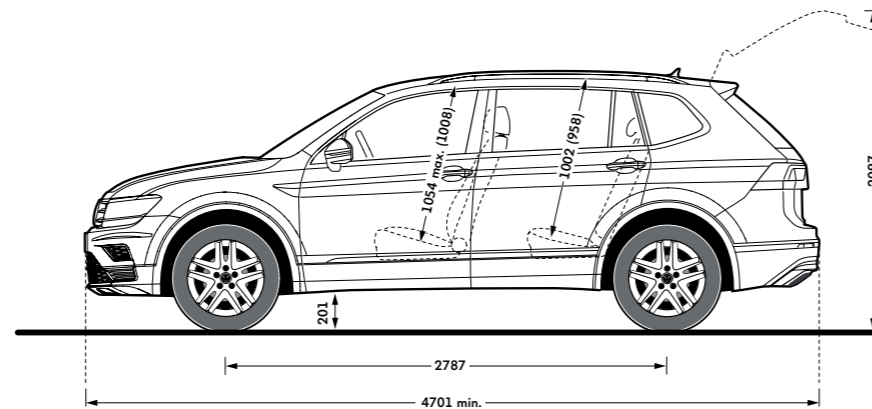
Effective headroom – front max., mm (with sunroof)	1054 (1008)
Effective headroom – rear, mm (with sunroof)	1002 (958)
Interior width – front, mm	1503
Interior width – 2nd row rear, mm	1503

Maximum luggage capacity, litres VDA measuring method using 200 x 100 x 50mm blocks

With 2nd and 3rd row rear seats upright	230
With 3rd row rear seats folded	700
With 2nd and 3rd row rear seats folded	1775

Figures shown are for standard specification 2 wheel drive models. The addition of certain factory-fitted options and/or accessories may affect some of the dimensions shown.

Tiguan Allspace



AdBlue®

Your Volkswagen car is fitted with an advanced emissions control system, which helps your vehicle meet the latest EURO 6 exhaust gas regulations.

How does the system work?

AdBlue®, a water/urea based additive, is stored in a tank (like diesel fuel), however, unlike fuel it is not injected into the engine, but directly into a specially modified part of the vehicle's exhaust. This begins a chemical reaction which removes the polluting oxides of nitrogen (NOx), converting them into harmless oxygen and nitrogen in a process known as Selective Catalytic Reduction, or SCR for short. SCR is only applicable to diesel engines and the more economically you drive, typically, the less AdBlue® you will use.

The size of the AdBlue® tank fitted to your car will vary depending on which Volkswagen model you have, therefore the interval between top-ups will vary. In addition, many factors such as mileage, journey type, driving style and environmental conditions can influence how much AdBlue® is consumed. A passenger car can consume approximately 1.5 litres of AdBlue® every 620 miles (1.0–1.5 litres for the Passat and Passat Estate). The chart below details the AdBlue® tank size and location.

Model (SCR derivatives only)	Tank size (Approximately)	AdBlue® tank filler location	Initial warning of low AdBlue® (2,400km/1,500 miles to go) can be expected to occur at:
Tiguan Allspace	13 litres	Next to fuel filler nozzle	3,000 to 4,000 miles or sooner*

* Distances are approximate and the warning light may come on sooner depending on driving style, journey type, engine and vehicle load and environmental conditions.

How will I know if the system needs topping-up?

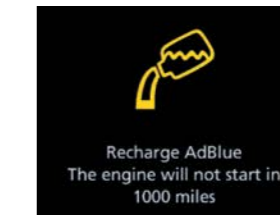
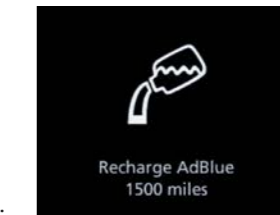
A series of warnings will be given via the driver information system, accompanied by advice/messages.

The first message is displayed when the remaining range is approximately 1,500 miles, and is repeated every 62 miles until the range reaches 1,000 miles, at which point the warning turns amber. This warning is repeated every 31 miles and is accompanied by an audible tone. If these warnings are not acted upon, the warning turns red; once this happens the car will not restart once the ignition is turned off. This is not a fault, but a required feature of the system. If this stage is reached the system will need a full top-up before the car can be restarted. Further information is available in the vehicle handbook.

Why should I use a Volkswagen Authorised repairer for top-ups?

- AdBlue® top-ups at authorised repairers are extremely competitive and charged by the litre, so you only pay for what you need
- Authorised repairer staff are trained to handle AdBlue®
- AdBlue® tanks need special adaptors on fillers to ensure there are no spillages
- Volkswagen do not recommend keeping top-up bottles in cars

The top-up bottles supplied by Volkswagen have a capacity of 1.89 litres, and come complete with the adaptor nozzles that fit the Volkswagen AdBlue® tank. These are available from all Volkswagen Authorised repairers.



Important information

- AdBlue® is not a fuel additive. This is why there is a separate AdBlue® tank
- If you put AdBlue® in your fuel tank by mistake, please do not start the engine, but contact a retailer for help
- Put only AdBlue® in the AdBlue® tank; do not fill the AdBlue® tank with any other liquids
- Prevent anything from contaminating AdBlue®
- If small quantities of AdBlue® come into contact with the vehicle's paintwork, for example, wipe them off and if necessary rinse the area with water

CO₂ emissions and VED bands with optional wheels.

Effect of wheel size on CO₂ emissions and VED Bands

Choosing larger alloy wheels than standard as an option, may result in increased fuel consumption as well as higher CO₂ emissions and subsequently increased Vehicle Excise Duty (VED) band and BIK rates paid by company car drivers may increase. This is due to the fact that larger wheels have both more aerodynamic drag and more mechanical drag, resulting in increased rolling resistance and increased wind resistance. As a result, the VED band that the vehicle falls into may increase from its original VED band when fitted with standard size wheels. In some instances, the recommended 'On the road' retail price paid for the vehicle may increase as a result of the increased VED rate. The chart below shows CO₂ emissions and the related VED bands for vehicles with both standard-fit wheels and larger optional alloy wheels, as well as the change in VED band.

5-DOOR RANGE.			Output, PS	Standard wheel size	CO ₂ emission, g/km*, standard wheels	First year VED £, standard wheels	Optional alloy wheel and size	CO ₂ emission, g/km*, optional alloy wheels	First year VED £, optional wheels
SE NAVIGATION	1.4 ltr TSI ACT 2WD	6 speed manual	150	18"	137*	200.00	18" Kingston	137*	200.00
	1.4 ltr TSI ACT 2WD	6 speed auto DSG	150	18"	148*	200.00	18" Kingston	148*	200.00
	2.0 ltr TDI SCR 2WD	6 speed manual	150	18"	131*	200.00	18" Kingston	131*	200.00
	2.0 ltr TDI SCR 2WD	7 speed auto DSG	150	18"	132*	200.00	18" Kingston	132*	200.00
	2.0 ltr TDI SCR 4MOTION	6 speed manual	150	18"	150*	200.00	18" Kingston	150*	200.00
	2.0 ltr TDI SCR 4MOTION	7 speed auto DSG	150	18"	153*	500.00	18" Kingston	153*	500.00
	2.0 ltr TDI SCR 4MOTION	7 speed auto DSG	190	18"	153*	500.00	18" Kingston	153*	500.00
SEL	1.4 ltr TSI ACT 2WD	6 speed auto DSG	150	19"	148*	200.00	20" 'Miramar' grey metallic	148*	200.00
	2.0 ltr TSI 4MOTION	7 speed auto DSG	180	19"	175*	800.00	20" 'Miramar' grey metallic	175*	800.00
	2.0 ltr TDI SCR 2WD	6 speed manual	150	19"	131*	200.00	20" 'Miramar' grey metallic	131*	200.00
	2.0 ltr TDI SCR 2WD	7 speed auto DSG	150	19"	132*	200.00	20" 'Miramar' grey metallic	132*	200.00
	2.0 ltr TDI SCR 4MOTION	6 speed manual	150	19"	150*	200.00	20" 'Miramar' grey metallic	150*	200.00
	2.0 ltr TDI SCR 4MOTION	7 speed auto DSG	150	19"	153*	500.00	20" 'Miramar' grey metallic	153*	500.00
	2.0 ltr TDI SCR 4MOTION	7 speed auto DSG	190	19"	153*	500.00	20" 'Miramar' grey metallic	153*	500.00
	2.0 ltr BITDI SCR 4MOTION	7 speed auto DSG	240	19"	170*	500.00	20" 'Miramar' grey metallic	170*	500.00

* Fuel consumption and CO₂ figures are obtained under standardised EU test conditions (Directive 93/116/EEC). This allows a direct comparison between different manufacturer models but may not represent the actual fuel consumption achieved in 'real world' driving conditions.

More information is available on the Volkswagen website at www.volkswagen.co.uk and at www.dft.gov.uk/vca.

Please note: the increase in VED rate that is payable is in addition to the cost of the optional alloy wheels. Please consult your Volkswagen retailer for full details.

SCR (Selective Catalytic Reduction) requires AdBlue®, please see page 25 or visit www.volkswagen.co.uk/technology/adblue for more details.



Model shown is new Tiguan Allspace R-Line with optional headlight washers and metallic paint.

Volkswagen service.

Exclusions and terms and conditions apply to all warranties and plans listed. For pricing and further details of Volkswagen Warranties and Service Plans, please consult your authorised Volkswagen retailer or repairer, or visit www.volkswagen.co.uk

The Volkswagen Warranty.

Three-year Warranty.

All Volkswagen passenger cars come with a three-year/60,000 miles warranty, which protects your car against the failure of most technical and electrical components due to manufacturing defects. This comprises a two-year manufacturer's warranty with unlimited mileage plus a further one-year/60,000 miles (whichever is soonest) Retailer Warranty¹. Should the mileage exceed 60,000 miles within the first two years, the manufacturer's two-year warranty will still be valid. Full details of the three-year warranty are available from your authorised Volkswagen retailer or repairer.

Body Protection Warranty.

The internal body sections and panels of the Tiguan Allspace are covered against rusting through from the inside for 12 years. Naturally, the vehicle must be cared for in compliance with the manufacturer's operating instructions. Please consult your authorised Volkswagen retailer or repairer for full warranty details.

Three-year Paintwork Warranty.

This latest paintwork warranty, pioneered by Volkswagen, provides you with cover on a new car. Naturally, during the warranty period the car must be cared for in compliance with the manufacturer's operating instructions. Any paintwork defects, as a result of the manufacturing process, will be rectified without charge.

Approved Accessories.

A comprehensive range of accessories from alloy wheels to carpet mats is available to complement the factory-fitted option list. Volkswagen approved accessories purchased from and fitted by your authorised Volkswagen retailer at the point of vehicle sale will also benefit from the three-year vehicle warranty.

Extended Warranty.

If you order the Volkswagen Extended Warranty as an option when buying your Tiguan Allspace then you get the 100% Volkswagen Warranty and you can continue to enjoy comprehensive Volkswagen protection against many unforeseeable repair costs. Designed to your needs, you can purchase an extra one or two year's warranty up to a maximum of five years or 90,000 miles.

Service Intervals.

Volkswagen is pleased to offer you a choice on how your Volkswagen is serviced. The appropriate selection is entirely dependent on how the car is likely to be driven and its general use. To help you identify which type of service would be most suitable, please refer to the following guide.

The Fixed Service is recommended for vehicles that will cover less than 10,000 miles in 12 months and if the vehicle is likely to be used in the following way:

- Predominantly urban driving, short journeys with frequent cold starts.
- Activities regularly producing high engine loading, e.g. frequent hill climbs, driving with vehicle fully loaded and towing.
- Uneconomical driving style using high rpms with heavy acceleration and heavy braking.

The service intervals for the Fixed Service are as follows:

- Oil change service – After 1 year or 10,000 miles (15,000km), whichever is soonest.
- Inspection service² – First after 2 years or 20,000 miles (30,000km), then every one year or 20,000 miles (30,000km), whichever is soonest.

The Flexible Service is recommended for vehicles with daily mileage of more than 25 miles where the vehicle is driven regularly mainly on longer distance journeys. The vehicle is driven mainly at a constant speed with minimum vehicle and engine loading, minimal towing and driven in an economical manner. With the Flexible Service the vehicle can cover anywhere between 10,000³ and a maximum of 20,000³ miles or 24 months (whichever is soonest) between oil changes.

The service intervals for the Flexible Service are as follows:

- Oil change service – According to flexible service interval display (after 2 years at the latest).
- Inspection service² – First after 2 years or 20,000 miles (30,000km), then every one year or 20,000 miles (30,000km), whichever is soonest.

The up! model is only available with the Fixed Service schedule. Please consult your authorised Volkswagen retailer or repairer for advice and full details.

Please note: If you purchase a Volkswagen Fixed Price Service Plan your vehicle will follow the Fixed Service schedule.

Volkswagen Insurance⁴.

We want you to start enjoying your new car from day one and thanks to Volkswagen free 5 day insurance, you can. Call free on 0800 316 7892 (lines are open Monday to Friday 8am – 9pm and Saturday 9am – 5pm), provide a few details and a cover note will be sent to your retailer. They will then tax your car and you can drive it away.

Volkswagen Ensurance⁵.

Get three years' Volkswagen Ensurance cover for free.

Another great benefit of being a Volkswagen driver. If your Volkswagen was damaged in an accident, wouldn't you want it fixed by a Volkswagen trained technician using only genuine Volkswagen parts? Ensurance is Volkswagen's accident and repair cover which does exactly that. It works alongside your main comprehensive motor insurance policy no matter who you are insured with, to make sure you get the quality repair and service you would want. If you're involved in an accident or your car is stolen, just one call to us and we'll look after your claim from start to finish ensuring your Volkswagen is restored to the highest standard.

Activate your cover and benefit from:

- A guarantee that your Volkswagen will be repaired in a Volkswagen approved repairer and Volkswagen trained technicians, using only genuine Volkswagen parts and paints.
- A dedicated Claims Manager who will manage your claim from start to finish, liaising with your insurer and the repairer so you don't have to.
- Help to recover any uninsured losses using our Legal Expenses Cover.
- Online claims tracking so you can keep up to date with the status of any claim.

Volkswagen Ensurance is free to all Volkswagen customers for three years and it only takes a minute to get cover. To find out more and to activate your cover, visit volkswagen-ensurance.co.uk

Volkswagen Finance⁶.

Volkswagen Finance specialises in providing funding solutions for Volkswagen drivers. Whether your Volkswagen is for private or business use, you can choose from a range of funding options.

- Solutions – a Personal Contract Plan
- Hire purchase
- Lease purchase
- Finance lease
- Contract hire

With all Volkswagen Finance products you can choose a fixed-cost maintenance plan to help you budget for your servicing and maintenance costs. No matter what finance product you choose, your local Volkswagen retailer will be able to provide you with a personalised quote that could meet your budget and vehicle needs.

Fuel consumption and CO₂ Emissions.

Fuel consumption and CO₂ figures are obtained under standardised EU test conditions (Directive 93/116/EEC). This allows a direct comparison between different manufacturer models but may not represent the actual fuel consumption achieved in 'real world' driving conditions. More information is available on the Volkswagen website at www.volkswagen.co.uk and at www.dft.gov.uk/vca. The weight of a vehicle will influence the level of CO₂ emissions it produces; as a result, vehicles with higher levels of specification and factory-fitted options may emit higher levels of CO₂. Choosing larger alloy wheels than those fitted as standard may result in increased fuel consumption as well as higher CO₂ emissions and subsequently an increased Vehicle Excise Duty (VED) band. BIK rates paid by company car drivers may also increase. In some instances, the recommended 'On the road' retail price paid for a vehicle may increase as a result of the increased VED rate. CO₂ is the main greenhouse gas responsible for global warming. The specifications contained in this brochure are for information purposes only and are subject to change.

AdBlue®.

Diesel engines with SCR (Selective Catalytic Reduction) technology require AdBlue® which must be kept topped up. Please see page 25 or visit www.volkswagen.co.uk/technology/adblue for more details.

Volkswagen Roadside Assistance.

Every new car is registered for Volkswagen Roadside Assistance for one year except the Touareg which is registered for three years. This provides vehicle roadside and home recovery in the unlikely event of a breakdown in the UK and Europe (subject to conditions). Volkswagen Roadside Assistance can also be purchased for subsequent years. For full details, please contact your authorised Volkswagen retailer. Exclusions and terms and conditions apply. For pricing and further details of Volkswagen Roadside Assistance, please consult your authorised Volkswagen retailer, or visit www.volkswagen.co.uk

Tax Free Sales.

For full details, please contact your authorised Volkswagen retailer.

Please note:

Some illustrations in this brochure do not necessarily reflect UK specifications and may not be available. In particular, controls and some items of equipment are positioned differently for the UK. The specifications contained in this brochure are for information purposes only and are subject to change. If you require any specific feature, you must consult your authorised Volkswagen retailer who is regularly updated with any change in specification. Please check model availability and full specification details with your authorised Volkswagen retailer prior to ordering. Note: we would like to advise you that telephone calls to Volkswagen Customer Care may be monitored and recorded as part of our training and quality assurance processes. All our monitoring and recording processes meet Ofcom regulations.

¹ All warranty work must be completed by an authorised Volkswagen retailer or repairer.

² The inspection service first at 3 years (or 40,000 miles) and then every second year (or 40,000 miles) has additional workscope.

³ The quoted mileage is based on a conversion from kilometres and is therefore unlikely to exceed circa 18,000 miles between oil changes.

⁴ Volkswagen Financial Services is a trading name of Volkswagen Financial Services (UK) Limited ('VWFS UK'). Registered in England and Wales number: 2835230. Registered Office: Brunswick Court, Yeomans Drive, Blakelands, Milton Keynes MK14 5LR. Financial and consumer credit services are provided by VWFS UK. Annual insurance credit is provided by Ageas Retail Limited. Volkswagen Motor Insurance from VWFS UK is sold and administered by Ageas Retail Limited, registered in England and Wales number: 1324965 Registered Office: Ageas House, Hampshire Corporate Park, Templars Way, Eastleigh, Hampshire SO53 3YA. VWFS UK and Ageas Retail Limited are not part of the same corporate group.

⁵ Ensurance from Volkswagen Financial Services is sold and administered by Lawshield UK Limited, registered in England number: 3360532 (registered office: Lawshield House, 850 Ibis Court, Lakeside Drive, Centre Park, Warrington, Cheshire WA1 1RL) and underwritten by UK General Insurance Limited on behalf of Ageas Insurance Limited, registered in England number: 354568 (registered office: Ageas House, Tollgate, Eastleigh, Hampshire SO53 3YA).

⁶ Finance is available to 18s and over, subject to status. Terms and conditions apply. Volkswagen Finance.

The new Tiguan Allspace

Volkswagen Information Service. Telephone: 0800 333 666

Internet: www.volkswagen.co.uk

© Volkswagen Group United Kingdom Limited 2018.

Issue: 3 January 2018.



facebook.com/VolkswagenUK



[@UKVolkswagen](https://twitter.com/@UKVolkswagen)



youtube.com/user/ukvolkswagen