



# The Mercedes-Benz Sprinter.

Model information & price list.

Prices effective from March 2020.

Mercedes-Benz



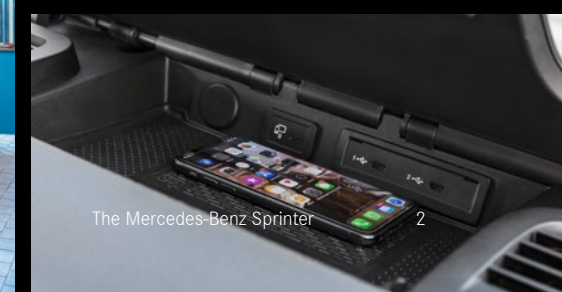
# The Mercedes-Benz Sprinter.

Business has always been about making the right connections. Take yours to the next level with the Mercedes-Benz Sprinter.

With an enhanced cabin environment and the highest standard specification of any large van, the Sprinter is better than ever. It's also safer than ever, with more sixth sense safety features as standard.

More versatile than ever, with the introduction of a lowloading height front wheel drive model - the first series production van with the 9G-TRONIC 9-speed automatic transmission, to help increase efficiency and payload.

And it's factory-ready for the future, to improve your operations from day one. Every Sprinter is powered by Mercedes PRO connect - free, real-time vehicle monitoring that raises efficiency, maximises security and improves safety. No other manufacturer or software provider gives you greater visibility of your fleet.



Proud winners of the following awards...



# Contents

› The most adaptable van on the market	4	› Chassis crewcab		Steering Wheel	55
› Impressive specification	5	L2 RWD	35	Storage	55
› Safety and security	6	L3 RWD	36	› Technology Software and Electrics	
› Driver comfort and support	7	Technical data	37	Alternators	56
› Functionality	8	Fuel consumption and CO <sup>2</sup> emissions	38	Audio Entertainment	56
› Exterior paints & Interior colours and materials	9	› Dropside		Battery	57
› Mercedes PRO connect	10	L2 FWD	40	Electronics	57
› Mercedes PRO connect - packages	11	L2 RWD	41	Keys	58
› Sprinter conversions	15	L3 RWD	42	Tachograph	58
› Drive options	16	Technical data	43	› Drivers Assistance and Safety Equipment	
› Drive availability across the range	17	Fuel consumption and CO <sup>2</sup> emissions	44	Airbags	58
› List prices	18	› Equipment - standard and optional overview		Brakes	59
Panel van	18	› Exterior features		Drivers Assistance	59
Chassis cab	19	Axle	46	Parking	61
Chassis crewcab	19	Bulkhead	46	Road Speed Limiters	61
› Panel van		Doors	46	Safety	61
L1 H1 FWD	20	Exhaust	47	Security	62
L2 H1 FWD	21	Fuel tank	47	› Lighting	
L2 H1 RWD	22	Mudflaps	47	Lighting	62
L3 H2 RWD	23	Paint	48	› Loading and Towing	
L4 H2 RWD	24	Power Take Off	48	Gross Vehicle Weight (GVW)	63
Technical data	25	Roof	48	Load Area	64
Fuel consumption and CO <sup>2</sup> emissions	26	Suspension	49	Load Securing	65
› Chassis cab		Tyres	50	Load Steps	66
L1 FWD	28	Wheels	50	Towing Equipment	66
L2 FWD	29	› Interior features		› Mirrors and Windows	
L2 RWD	30	Gearbox	51	Mirrors	67
L3 RWD	31	Grab Handles	51	Windows	67
Technical data	32	Heating and Ventilation	52	› Keeping Business Moving	69
Fuel consumption and CO <sup>2</sup> emissions	33	Seating	53		
		Trim	54		

## Please note

This document provides information about the model range line-up and specifications of the Sprinter. It also contains key details about options, economy and performance of all variants. Details are correct at time of publication and are subject to revision. Any images used in this document may not reflect UK specification and are for illustrative purposes only. Images may show optional equipment which does not form part of UK standard specification.

# The most adaptable large van on the market

The Sprinter is 1,700 new vehicles in one – with 6 body styles, 4 power options, 4 body lengths, 3 cargo heights, 3 drive options and dozens of bodybuilder connection points.

## For every task, there's a Sprinter.

- **Six body styles** – panel van, crew van, chassis cab, chassis crewcab, Tourer and new Tractor Head for conversion to motorhome.
- **Four common-rail diesel engines** – choose from 4-cylinder (available with 111hp, 143hp or 163hp) or the range topping V6 with 190hp. Sprinter engines' reduce in-engine friction and improve fuel consumption.
- **6 speed manual or automatic transmission** across all engine variants – 7G-TRONIC PLUS auto transmission for RWD drives and V6, and 9G-TRONIC for FWD models.
- **Air-suspended rear axle** to protect the most fragile of goods and passengers.

With over 600 items of [standard and optional equipment](#) (go to page 46), including suspension variants and sector-specific solutions for bodybuilders and converters, the Sprinter can be perfectly adapted for any task.

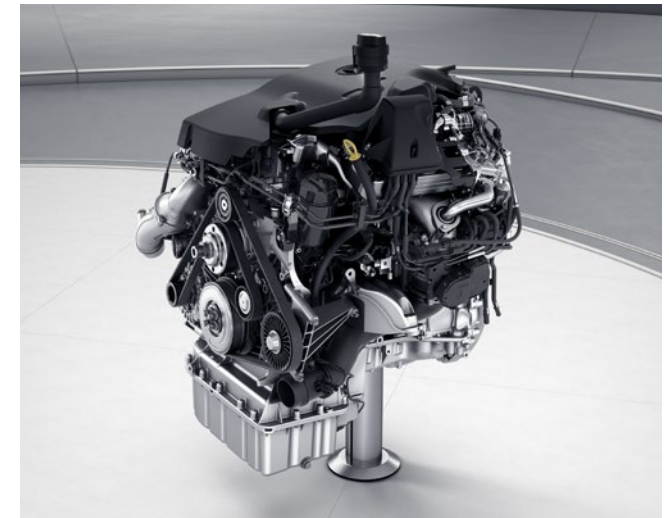
## A wide range of styling options.

- Optional high performance LED lighting
- A choice of four different front end options
- Optional light-alloy wheels



## Stringent Euro 6/Euro VI emissions standard met

SCR (Selective Catalytic Reduction) technology passes the exhaust gas through a catalytic converter, adding water-based AdBlue® to reduce the Sprinter's emissions.



Official government fuel consumption figures in mpg (litres per 100km) for the Mercedes-Benz Sprinter range: Urban 26.9- 36.2, extra urban 31.7- 43.5, combined 29.7-40.4. Combined CO2 emissions: 185-249g/km. The indicated values were determined according to the prescribed measurement method. These are the "NEDC CO2 values" according to Worldwide Harmonised Light Vehicle Test Procedure (WLTP). For more information on these values and how they have been calculated please see [www.mbvans.co.uk/WLTP](http://www.mbvans.co.uk/WLTP). Official EU-regulated test data are provided for comparison purposes and actual performance will depend on driving style, road conditions, chosen optional extras and other non-technical factors.

# Impressive specification.

## Class-leading driver support – as standard.

The Sprinter has a truly impressive and advanced standard specification, helping drivers get the job done safely, efficiently and in typically Mercedes-Benz comfort and style.

- **State-of-the-art MBUX (Mercedes-Benz User Experience) technology** – fitted as standard with:
  - a high resolution 7-inch touchscreen with intuitive touch control and a wealth of infotainment features
  - 'Hey Mercedes', Voice Command Operation\*
  - What3words, a geocoded map system offering more accurate location services\*
  - a permanent internet connection to the vehicle, which enables Mercedes PRO connect services. For more information about Mercedes PRO connect, see page 10
- **Enhanced connectivity** with USB-C and Bluetooth® interface, WiFi hotspot\*\*, Apple CarPlay/Android Auto and a DAB radio
- **Multifunction steering wheel** – for a streamlined cabin and safe operation while driving
- **Keyless start** – start your vehicle at the push of a button
- **Swift breakdown assistance** at the push of a button: Breakdown Management establishes a data and voice connection to the vehicle and enables fast MoblioVan and Service24h assistance†.

\*Standard in conjunction with navigation.

†Can be activated for free as part of Mercedes PRO connect.

\*\* WiFi hotspot requires a separate data contract with Vodafone which can be purchased through the MBUX head unit.

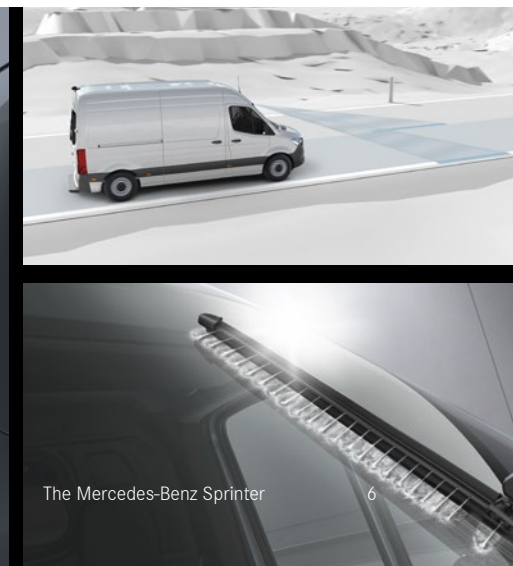
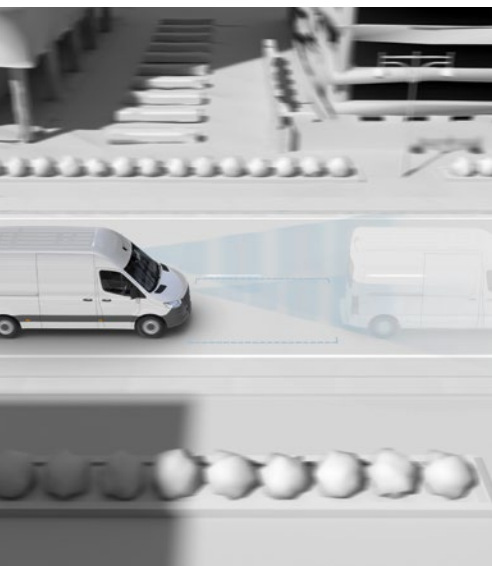


## Sixth sense safety and security as standard.

- **Active Brake Assist** warns drivers of oncoming danger and takes over and brakes autonomously if necessary – and critically, recognises and responds to pedestrians
- **Crosswind Assist** detects wind gusts and counteracts them with targeted braking to stabilise your vehicle
- **ADAPTIVE ESP®** reacts to driving conditions that could cause slips or skids by reducing engine power and applying just the right amount of braking to each individual wheel, to stabilise the van
- **ATTENTION ASSIST** detects signs of drowsiness and inattention and instructs drivers to take a break
- **Emergency Call System (eCall)** to connect the van with the emergency services automatically in event of a serious accident
- **Integrated connected alarm system and double lock** offer extra layers of theft protection and alert the driver/vehicle manager by SMS when an alarm is activated
- **Safety monitoring** via Mercedes PRO connect enhances driver safety and business reputation by monitoring acceleration, braking and cornering characteristics. For more information on Mercedes PRO connected features, see page [11](#).

## Class-leading optional safety features.

- **Active Lane Keep Assist** to alert drivers when they unintentionally drift or leave their lane, intervening by braking if necessary
- **Active Distance Assist DISTRONIC** allows the driver to set and keep a safe distance from the vehicle ahead – helpful on motorways or stop-start traffic
- **Blind Spot Assist with Rear Cross Traffic Alert** gives visual and audible alerts to help prevent accidents when changing lanes, or reversing
- **Drive Away Assist** – in the event of acceleration towards stationary objects (for example when exiting a parking bay) a warning appears and speed is limited
- **Traffic Sign Assist** recognises both permanent and temporary traffic signs and displays them on your vehicle cluster
- **Highbeam Assist**, automatically detecting oncoming vehicles and dimming full beam at night
- **High performance LED headlights** for maximum visibility of the road ahead
- **Magic Vision Control**, clearing the windscreen without even a moment's disrupted vision.



# Options for superior driver comfort and support



The MBUX multimedia system with 10.25-inch touchscreen is a fully-integrated navigation system with Live Traffic, VAN-to-X Communication and 3D map display, plus "Hey Mercedes" Voice Command Operation and full smartphone integration, for faster, safer and more relaxed trips.



Conveniently accessible, lockable compartment on the left above the windscreen to stow important items securely.



Electrically folding exterior mirrors help when space is tight and are better protected against damage when folded.



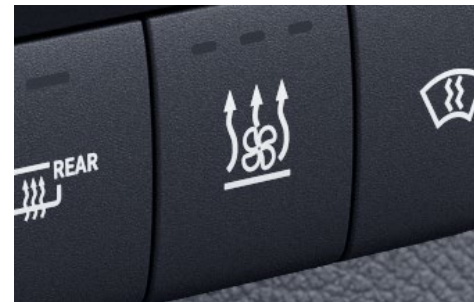
Electrically adjustable seats to meet individual comfort requirements at the push of a button. Its highly ergonomic design meets the criteria of the German AGR campaign for healthier backs.



Electric parking brake – simply and conveniently operated via a button.



Reversing Cameras – an optional range of reversing cameras, including 360° for easy parking and manoeuvring.



An auxiliary hot water heater warms the engine coolant and vehicle interior. This makes things easier on the engine and helps to consume less fuel.

# Options for hardworking functionality



Internally fitted roof racks are available to protect items against theft and prevent the need for external racking to be mounted.



Ply-lining on the wheel arches and van walls from factory makes loading easier and protects the metal panelling from damage.



Two LED light strips under the roof illuminate the load compartment, for improved visibility inside when loading and unloading the vehicle.



Pallet support in the step of the sliding door stabilises loads in the door area and is particularly useful when transporting Europallets or crates.



Several side load securing options enable you to secure your vehicle's cargo safely and professionally – these include a lashing rail system, various types of partition, a side wall anchoring system, and restraint belts and ratchet belts.



Multifunction box provides drivers and co-drivers with a practical workspace to attend to paperwork in the cockpit – and an integrated tablet holder is also available<sup>1</sup>. When not in use, this box can be stored in the storage area beneath the dual passenger seats.

<sup>1</sup> Tablet holder available from Mercedes-Benz Accessories only.

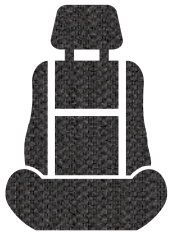


# Exterior paints & Interior colours and materials

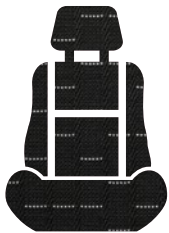
Ready to make a statement? The Sprinter is available in a huge range of paints and finishes to give you exactly the look you're after.

So whether you're showing off your professional promotion livery or just looking to stand out on the road, you'll get there in style – as well as comfort, thanks to the Sprinter's sleek black upholstery. And with the option of either solid or metallic finishes, plus your choice of trim materials, we've got all the finer details covered too.

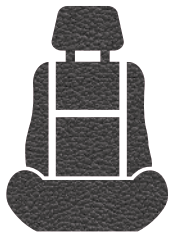
## Interior trim



VF7 Maturin black fabric (Standard)



VF4 Caluma black fabric



VF6 Black ARTICO man-made leather

## Solid Paints



MB 9147 Artic White



MB 3589 Jupiter Red



MB 5389 Steel Blue



MB 7709 Blue Grey



MB 9040 Jet Black

## Metallic paints



MB 5890 Cavansite Blue Metallic



MB 7755 Tenorite Grey Metallic



MB 7992 Selenite Grey Metallic



MB 9197 Obsidian Black Metallic



MB 9775 Iridium Silver Metallic

For a full range of optional paints, speak to your local Dealer.

# Get more from your Sprinter than ever before with Mercedes PRO Connect.

Now included as standard in every Sprinter and all free for 3 years to give you:

› **More efficiency**

Assign tasks, track jobs and contact your drivers at the touch of a button.

Keep your vans on the road for as long as possible with Optimised Assistance – intelligent software which gives you real-time reports of critical parts and fluids.

Record your trips and see a log of your journeys to help with your mileage claims.

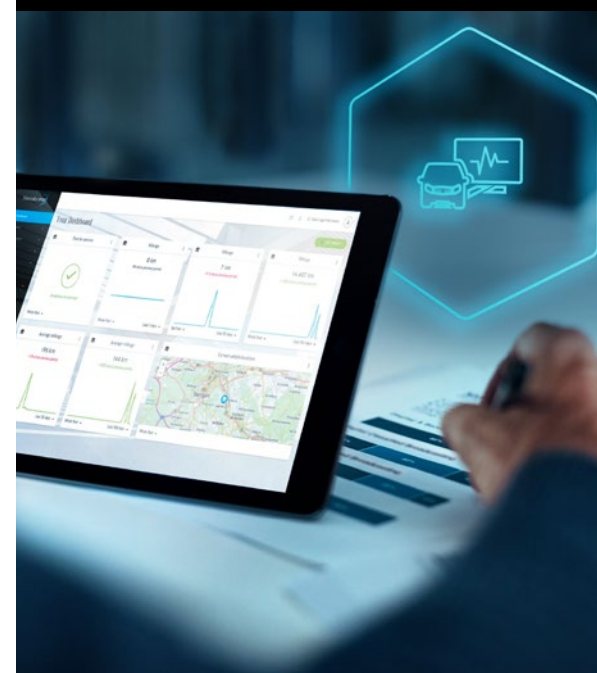
› **More security**

Protect your vehicles with theft warning alerts, live locking from your mobile and use geofencing to alert you when your vehicles leave a defined area.

› **More safety**

Keep your drivers safe with Accident & Breakdown Management, hands-free multimedia functions and live traffic information.

Monitor driving styles to get a clear picture of your drivers' performance and reward them for safer, more fuel-efficient driving.



- › Services are free for 3 years
- › Simple to set up and use
- › Integrates easily with other telematics systems.

Arrange a Demo at your [nearest Dealership](#)

or

[Download the Mercedes PRO Connect brochure](#)

# Connected Packages.

- How it works:**
- You'll get 'Always Connected' and 'Advanced Navigation' free for 3 years.
  - See the following pages for more detail on each of the services.

	Always Connected Package Free for 3 years	Advanced Navigation Package Sprinter vehicles fitted with MBUX Navigation. Free for 3 years.
Services to improve:		
<b>Efficiency</b>	Fleet Communication	Online Map update
	Maintenance & Repair Management	Live Traffic Information including Van to X Communication
	Vehicle Operations	Navigation Functions
	Software Updates	Multi-media Functions
	Eco-Monitor	
	Digital Driver's Log	
	Digital Trip Management	
<b>Security</b>	Internet in the car	
	Vehicle Supervision	
	Remote Control Vehicle Access	
	Theft Warning	
<b>Safety</b>	MB Emergency Call System	
	Accident & Breakdown Management	
	Driving Style Analysis	

Services explained:

# Always Connected Package

For diesel vans - Free for 3 years

You can now access the core Mercedes PRO connect services free for 3 years. As soon as you activate the system, you'll be able to use the services below and have control over your vehicles like never before.



## Simplified Fleet Communication

› Fleet Communication	Send text messages and navigation data between the driver and vehicle manager Enhance productivity with quick and direct connection to drivers
› Internet in the Car	Enjoy a reliable internet service from the stable 4G LTE connection onboard Benefit from the vehicle's Wi-Fi hotspot when drivers encounter poor phone reception



## Optimised Assistance

› Maintenance & Repair Management	Organise servicing and workshop bookings and more with this easy-to-use tool Fewer breakdowns and improved safety because you can take preventative measures Better budgeting of repair work because you know what needs fixing, and when
› MB Emergency Call System	The vehicle automatically calls the emergency services in the event of severe accidents Increased driver safety and peace of mind if the worst should happen
› Accident & Breakdown Management	A MobiloVan technician is called out, without you having to contact them, if there's an accident or breakdown Benefit from automatic assistance, meaning there's one less thing to think about
› Software Updates	Keep your vehicle up-to-date and equipped with the very latest software Extra reassurance that your vehicle is running as it should, with the very best from Mercedes-Benz Vans



## Efficient Fleet Management

› <b>Vehicle Supervision</b>	A real time overview of vehicles' locations and fuel levels Better organisation because you always know the status of your vehicles Quicker assignments and the ability to plan jobs at short notice
› <b>Theft Warning</b>	Alerts via SMS, email and notifications through the management tool Keep an eye on your vehicles and act fast in the event of a suspected theft Includes geo-fencing to ensure a vehicle doesn't exceed a defined perimeter
› <b>Vehicle Operations</b>	Remotely manage assignments efficiently and plan routes effectively Save time thanks to real-time updates and reduce admin time



## Driving Style Analysis

› <b>Drive Style Analysis</b>	View and analyse a driver's performance to see how safe and efficient they are Increase awareness of better driving techniques, so your drivers can put them into practice and become safer on the road Helps improve vehicle reliability because your van's wearing parts ultimately last longer
› <b>Eco-Monitor</b>	Monitor the fuel consumption of your fleet in real time Better for the environment thanks to lower emissions from more efficient driving Potential for initiating incentives for safer, more fuel-efficient driving



## Digital Records

› <b>Digital Trip Management</b>	Records all of your journeys in digital format Save time creating detailed digitised records and registering all journeys Total visibility of all trips covered so you can optimise them in the future
› <b>Digital Driver's Log</b>	Records each driver's individual journey and allows them to enter the trip's purpose Easy separation of business and private journeys More accurate reimbursement for business mileage



## Mobile Vehicle Access

<b>&gt; Remote Control</b>	Lock and unlock a van from anywhere using the app to save time and improve safety
	Easier access to vehicles by several employees without needing a key
	Better anti-theft protection by making sure all vehicles in a fleet are locked
	Less hassle to make sure everyone has the right key for the right vehicle
	Remotely turn on the auxiliary heater (if fitted) to pre-warm the van before you get in.

# Advanced Navigation Package

Free for 3 years

You can now access the core Mercedes PRO connect services free for 3 years. As soon as you activate the system, you'll be able to use the services below and have control over your vehicles like never before.



## Improved Navigation

<b>&gt; Online Map Update</b>	Automatically keeps your map up-to-date with the very latest information
	Get there faster with the best possible route guidance for the trip
	Find any point of interest with ease, from coffee shops to depots
<b>&gt; Live Traffic Information including Van to X Communication</b>	The new Sprinters communicate warnings intelligently wherever a hazard is detected, such as a slippery road or broken-down vehicle
	Increases the safety of your drivers and other road users
	Reduces stress for drivers who can avoid traffic jams and lengthy tailbacks
<b>&gt; Multimedia Functions</b>	A wide range of features from internet radio to weather information, petrol station prices and more
	Access multimedia functions hands-free with 'Hey Mercedes' Voice Command Operation
	Improve driver safety by enabling them to keep their hands on the wheel more
<b>&gt; Navigation Functions</b>	Find locations easily with our geocoded map system and what3words voice navigation
	Avoid wrong turns thanks to updated map navigation data and locate available parking spaces

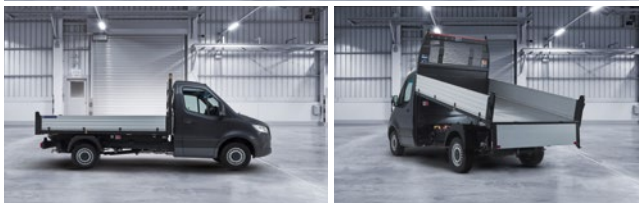
# Ready to work.

## Mercedes-Benz Sprinter Dropside, Tipper and Luton van conversions.

Are you ready to work? We are. Our Sprinter conversions are born ready. Converted by our trusted bodybuilding partners to the very highest standards, each model in our range of high quality, off-the-shelf vans is available to drive away on the same day\*.

We'll make sure you're all set too, with one point of contact, one invoice and one consistent warranty period. Plus, each vehicle comes with 7 days of free insurance^, free 24/7 roadside assistance† and 24/7 servicing to keep you moving.

### Tipper



Fitted with a powerful auxiliary battery for tipping and a high strength steel construction to take on heavy loads.

> [Find out more](https://bit.ly/2UYBaAV) or visit <https://bit.ly/2UYBaAV>

### Dropside



Strong and durable bodywork with a high payload, and plenty of space for your equipment.

> [Find out more](https://bit.ly/2vzDAM8) or visit <https://bit.ly/2vzDAM8>

### Luton



Available in three unique specifications, each including an auxiliary powered tail lift for easy access to the large load space.

> [Find out more](https://bit.ly/2Vfvs2Z) or visit <https://bit.ly/2Vfvs2Z>

\* Subject to stock availability at participating sites only.

^ Vehicles up to 3.5t only. Mercedes-Benz Van Insurance is a trading name of Daimler Insurance Services UK Limited.

† For a full list of exclusions and all product terms please visit [mbvans.co.uk/mobilovan](https://mbvans.co.uk/mobilovan)

# Drive options.

Over the next few pages, we've listed the technical data for the various drivetrains available in the Sprinter – including Front-wheel drive (FWD), Rear-wheel drive (RWD) and All-wheel drive (AWD).

There are advantages to each of the drivetrains, depending on your business's requirements. For example, FWD delivers improved traction when carrying lighter loads, a larger load compartment volume, and a higher payload capacity. It also exclusively offers the new 9G-TRONIC automatic transmission.

With RWD, the separation of the drive system and steering optimises the turning circle for more agile handling – particularly with the higher-powered 120 kW2 and 140 kW3 engines. And the drive system at the rear axle comes into its own when towing a trailer.

Finally, with AWD you can benefit from a manually selectable 4x4 all-wheel drive system that improves traction in difficult driving conditions.

## Key features



### Front-wheel drive (FWD):

- Better for multi drop deliveries due to low entry rear step and the omission of a side step
- Lower loading sill – makes it easier to load and unload, helping to make multiple trips and stops more efficient
- Improved fuel economy and payload.



### Rear-wheel drive (RWD):

- Can tow up to 3.5t
- Offers the widest variety of engine sizes.



### All-wheel drive (AWD):

- Manually selectable 4x4 to suit the environment you're in
- Reliable and safe on slippery surfaces, steep declines and difficult driving conditions
- Minimum weight impact – get more traction without sacrificing payload or efficiency



## Introducing new naming conventions

Sprinter (pre-2017)	Sprinter (2019)
Short	L1
Medium	L2
Long	L3
Extra-long	L4
Standard roof	H1
High roof	H2
Super-high roof	H3

Additionally, the introduction of FWD, RWD and AWD will appear in the description:

**FWD** = Front-wheel drive

**RWD** = Rear-wheel drive

**AWD** = All-wheel drive



# Drive availability across the Sprinter range

	Panel van		Chassis		Chassis crewcab		Dropside	
	FWD	RWD	FWD	RWD	FWD	RWD	FWD	RWD
<b>L1 (short)</b>								
211 CDi	•		•					
214 CDi	•		•					
311 CDi	•		•					
314 CDi	•		•					
411 CDi	•		•					
414 CDi	•		•					
<b>L2 (medium)</b>								
211 Cdi	•		•					
214 CDi	•		•					
311 CDi	•	•	•	•		•	•	•
314 CDi	•	•	•	•		•	•	•
316 CDi		•		•		•		•
319 CDi		•		•		•		•
411 CDi	•		•					
414 CDi	•	•	•					
416 CDi		•						
419 CDi		•						
514 CDi		•		•		•		•
516 CDi		•		•		•		•
519 CDi		•		•		•		•
<b>L3 (long)</b>								
311 CDi		•		•		•		•
314 CDi		•		•		•		•
316 CDi		•		•		•		•
319 CDi		•		•				•
414 CDi		•						
416 CDi		•						
514 CDi		•		•		•		•
516 CDi		•		•		•		•
519 CDi		•		•		•		•
<b>L4 (extra long)</b>								
311 CDi		•						
314 CDi		•						
316 CDi		•						
319 CDi		•						
414 CDi		•						
416 CDi		•						
514 CDi		•						
516 CDi		•						
519 CDi		•						

## List prices – Sprinter panel van\*

Model/bodystyle	H1 - FWD		H1 - RWD		H2 - RWD		H2 - AWD	
	L1	L2	L1	L2	L3	L4	L2	L3
211CDI 3.0t	£26,120	£27,675	-	-	-	-	-	-
214CDI 3.0t	£26,550	£28,105	-	-	-	-	-	-
311CDI 3.5t	£30,575	£32,120	-	-	£35,360	£36,075	-	-
314CDI 3.5t	£31,005	£32,560	-	£33,850**	£35,790	£36,505	-	-
316CDI 3.5t	-	-	£33,020	£34,515**	£36,445	£37,160	£40,110	£41,960
319CDI 3.5t	-	-	-	£37,875**	£39,800	£40,525	£44,905	£46,755
514CDI 5.0t	-	-	-	£40,645	£42,570	£43,285	-	-
516CDI 5.0t	-	-	-	£41,300	£43,225	£43,940	£46,565	£48,415
519CDI 5.0t	-	-	-	£44,665	£46,585	£47,300	£51,360	£53,210

\*List prices are quoted ex-factory and exclude VAT unless otherwise stated. A standard delivery charge of £600 excluding VAT will be added to model prices quoted in this price list. All model prices include standard finish paint choice. The right is reserved to alter specification and vary prices without notice. The availability of options may depend on the chosen base vehicle and other optional equipment specified, and should be confirmed with your Mercedes-Benz Dealer prior to order placement. Mercedes-Benz Vans UK Ltd, Tongwell, Milton Keynes, MK15 8BA. \*\*Special order due to reference mass requirements.

## List prices – Sprinter chassis cab\*

Model/bodystyle	FWD		RWD			AWD	
	L1	L2	L1	L2	L3	L2	L3
211CDI 3.0t	£25,455	£26,200				-	-
214CDI 3.0t	£25,895	£26,630				-	-
311CDI 3.5t	£30,230	£30,975				-	-
314CDI 3.5t	£30,660	£31,405		£34,045	£34,790	-	-
316CDI 3.5t	-	-	-	£33,370	£34,115	£39,005	£39,720
319CDI 3.5t	-	-	-	£36,730	£37,480	£43,800	£44,515
514CDI 5.0t	-	-	-	£39,510	£40,260	-	-
516CDI 5.0t	-	-	-	£40,165	£40,910	£45,475	£46,195
519CDI 5.0t	-	-	-	£43,530	£44,275	£50,270	£50,985

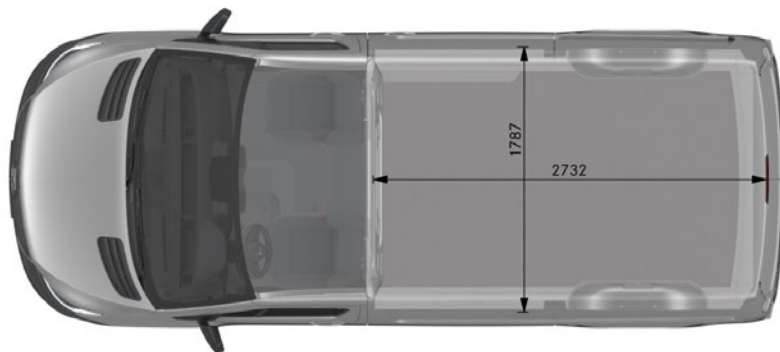
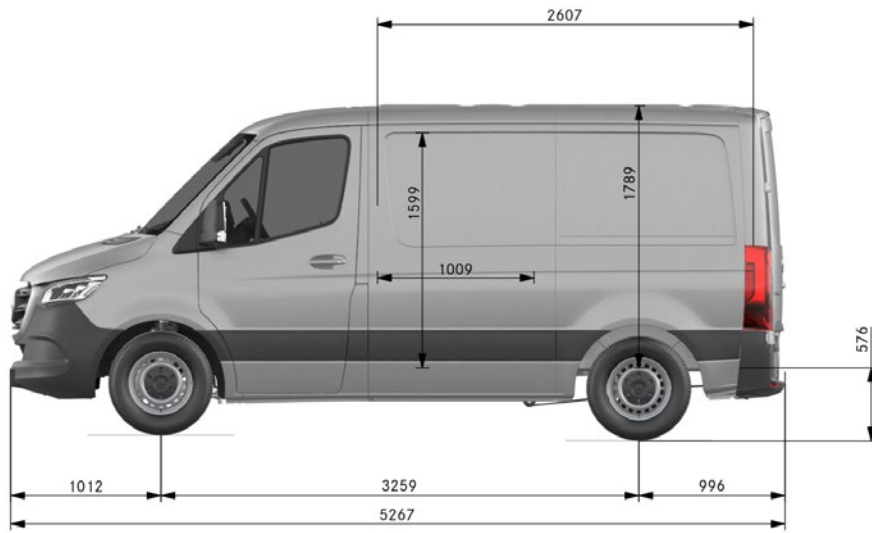
## List prices – Sprinter chassis crewcab\*

Model/bodystyle	RWD			AWD	
	L1	L2	L3	L2	L3
311CDI 3.5t	-	£34,780	£35,525	-	-
314CDI 3.5t	-	£35,220	£35,955	-	-
316CDI 3.5t	-	£35,875	£36,610	-	-
319CDI 3.5t	-	£39,225	£39,970	-	-
514CDI 5.0t	-	£41,790	£42,755	-	-
516CDI 5.0t	-	£42,445	£43,405	£47,880	£48,595
519CDI 5.0t	-	£45,800	£46,770	£52,675	£53,390

For Dropside and Crew van pricing, please combine your preferred chassis price with the price of the relevant Dropside or Crew van body, listed on page 46.

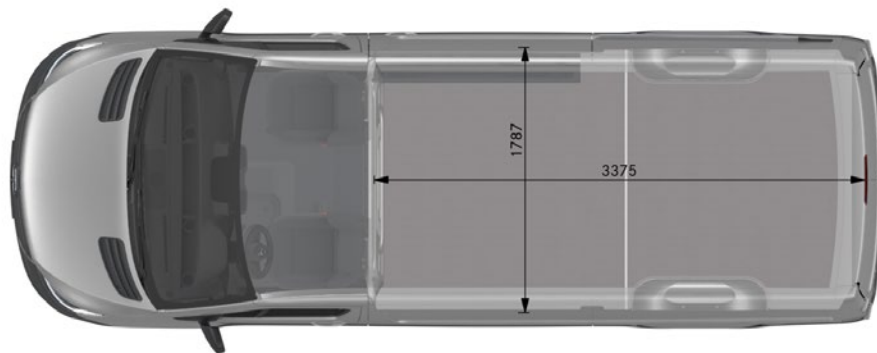
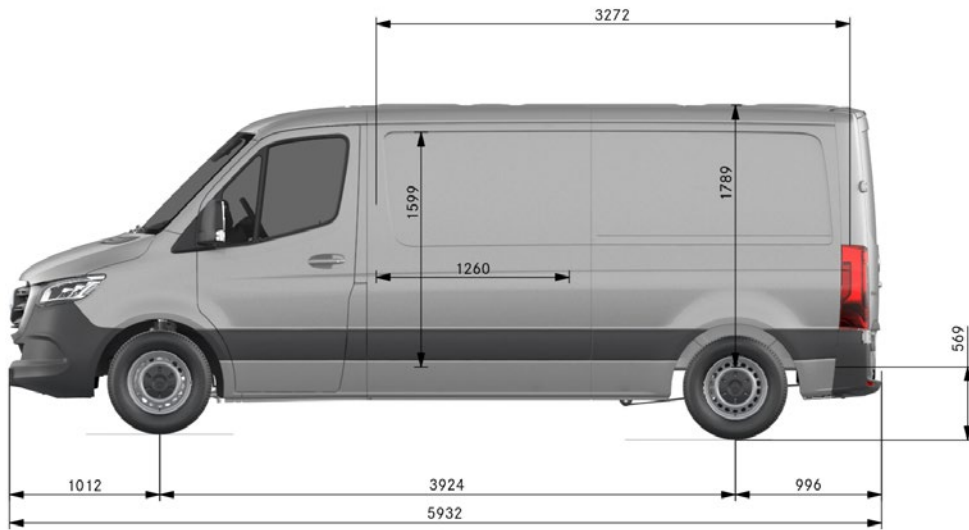
\*List prices are quoted ex-factory and exclude VAT unless otherwise stated. A standard delivery charge of £600 excluding VAT will be added to model prices quoted in this price list. All model prices include standard finish paint choice. The right is reserved to alter specification and vary prices without notice. The availability of options may depend on the chosen base vehicle and other optional equipment specified, and should be confirmed with your Mercedes-Benz Dealer prior to order placement. Mercedes-Benz Vans UK Ltd, Tongwell, Milton Keynes, MK15 8BA.

# Dimensions - Panel van L1 H1 FWD



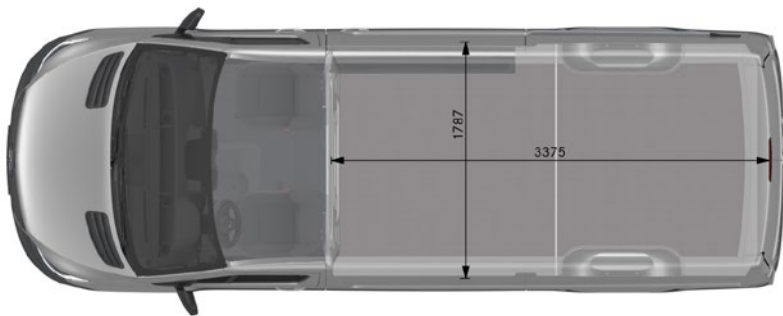
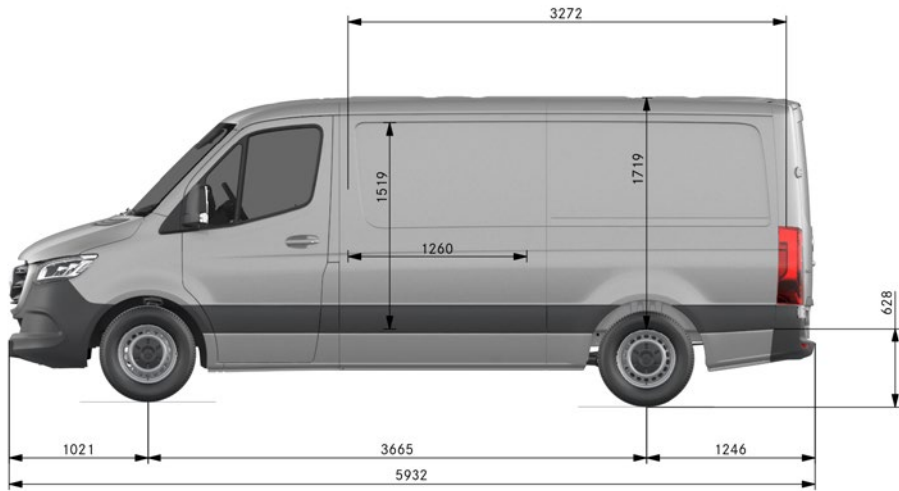
Please note: The stated vehicle dimensions and payload weights are correct according to type approval data. The specific payload values for UK supplied vehicles may differ. The figure quoted does not account for equipment which is included in the UK product offer as standard.

# Dimensions - Panel van L2 H1 FWD



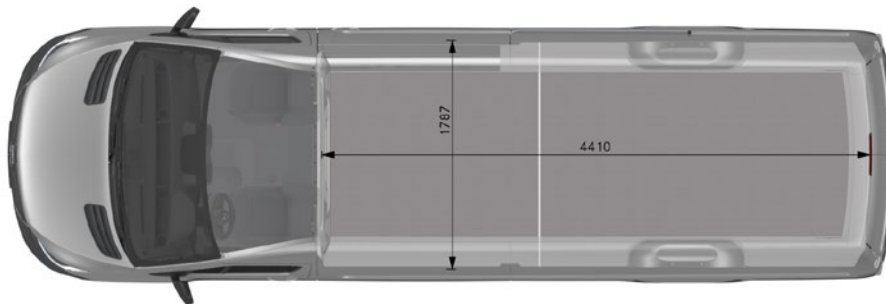
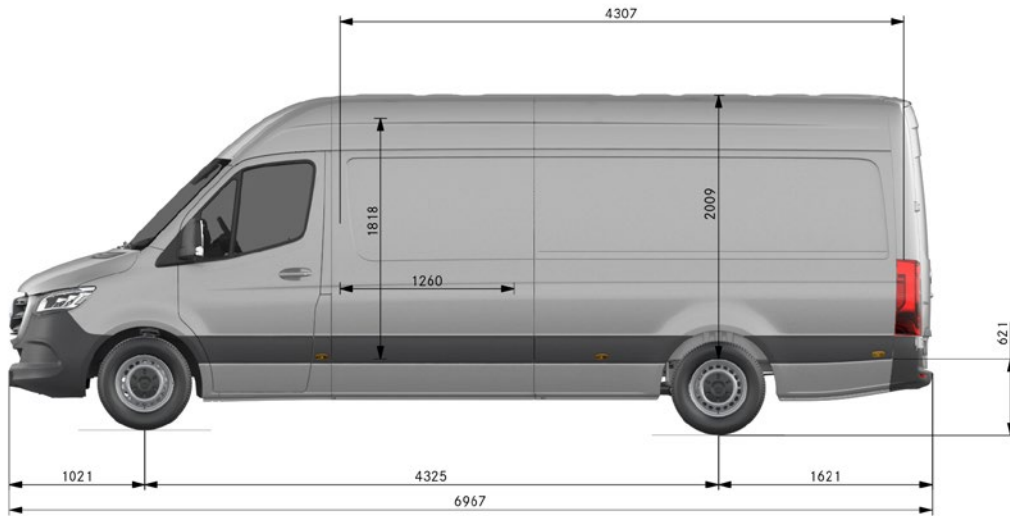
Please note: The stated vehicle dimensions and payload weights are correct according to type approval data. The specific payload values for UK supplied vehicles may differ. The figure quoted does not account for equipment which is included in the UK product offer as standard.

# Dimensions - Panel van L2 H1 RWD



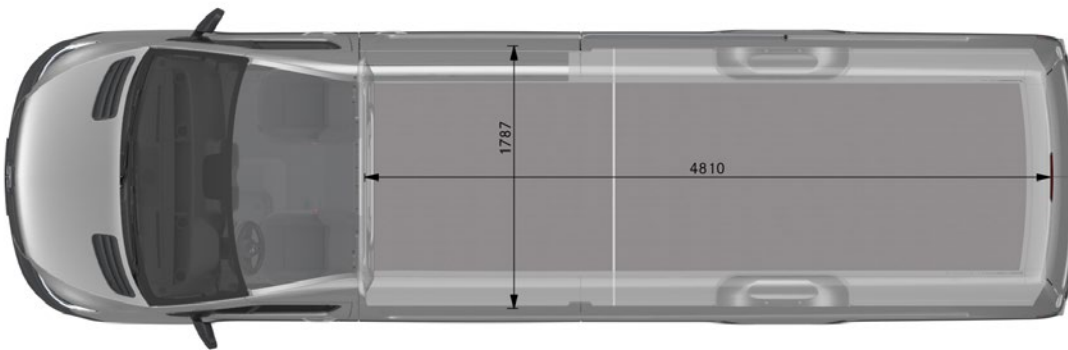
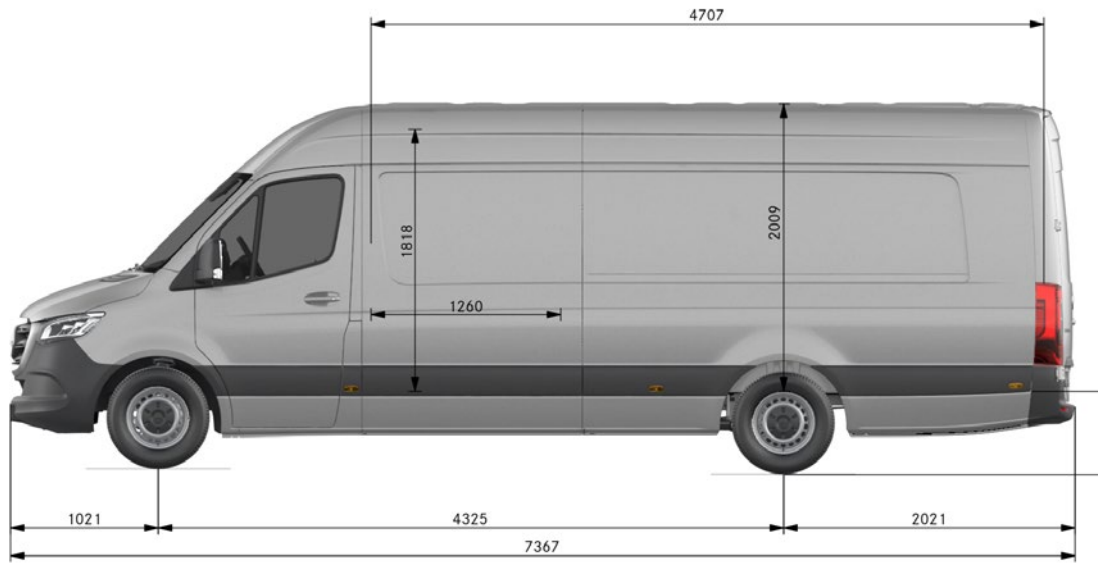
Please note: The stated vehicle dimensions and payload weights are correct according to type approval data. The specific payload values for UK supplied vehicles may differ. The figure quoted does not account for equipment which is included in the UK product offer as standard.

# Dimensions - Panel van L3 H2 RWD



Please note: The stated vehicle dimensions and payload weights are correct according to type approval data. The specific payload values for UK supplied vehicles may differ. The figure quoted does not account for equipment which is included in the UK product offer as standard.

# Dimensions - Panel van L4 H2 RWD



Please note: The stated vehicle dimensions and payload weights are correct according to type approval data. The specific payload values for UK supplied vehicles may differ. The figure quoted does not account for equipment which is included in the UK product offer as standard.



# Technical data - Panel van

	Perm GVW (t)	Fuel	Engine output	Emission standard	Torque	Kerb weight <sup>3,4</sup> , kg	Payload <sup>5</sup> , kg	Perm Gross Combination Weight, kg	Max. roof load, kg	Cargo area, m <sup>2</sup> Cargo volume, m <sup>3</sup> Max. loading length, mm	Turning circle Ø, m Track circle Ø, m			
<b>L1</b>														
211 CDI FWD	3.0	Diesel <sup>1</sup>	114 hp (84 kW) at 3800 rpm   4 cylinders   2143 cc	Euro 6b Gr. III/Euro VI <sup>2</sup>	300 Nm at 1200-2200 rpm	2113	887	5000	300	4.357m <sup>2</sup> 7.8m <sup>3</sup> 2607mm	13-13.4 12.2-12.6			
214 CDI FWD	3.0	Diesel <sup>1</sup>	143 hp (100 kW) at 3800 rpm   4 cylinders   2143 cc	Euro 6b Gr. III/Euro VI <sup>2</sup>	330 Nm at 1200-2400 rpm	2113	887	5000						
311 CDI FWD	3.5	Diesel <sup>1</sup>	114 hp (84 kW) at 3800 rpm   4 cylinders   2143 cc	Euro 6b Gr. III/Euro VI <sup>2</sup>	300 Nm at 1200-2200 rpm	2113	1387	5500						
314 CDI FWD	3.5	Diesel <sup>1</sup>	143 hp (100 kW) at 3800 rpm   4 cylinders   2143 cc	Euro 6b Gr. III/Euro VI <sup>2</sup>	330 Nm at 1200-2400 rpm	2113	1387	5500						
411 CDI FWD	4.1	Diesel <sup>1</sup>	114 hp (84 kW) at 3800 rpm   4 cylinders   2143 cc	Euro 6b Gr. III/Euro VI <sup>2</sup>	300 Nm at 1200-2200 rpm	2138	1962	6100						
414 CDI FWD	4.1	Diesel <sup>1</sup>	143 hp (100 kW) at 3800 rpm   4 cylinders   2143 cc	Euro 6b Gr. III/Euro VI <sup>2</sup>	330 Nm at 1200-2400 rpm	2138	1962	6100						
<b>L2</b>														
211 CDI FWD	3.0	Diesel <sup>1</sup>	114 hp (84 kW) at 3800 rpm   4 cylinders   2143 cc	Euro 6b Gr. III/Euro VI <sup>2</sup>	300 Nm at 1400-2400 rpm	2196	804	5000	300	5.08-5.539m <sup>2</sup> 9-9.5m <sup>3</sup> 3272mm	13.2-15.7 12.3-14.9			
214 CDI FWD	3.0	Diesel <sup>1</sup>	143 hp (100 kW) at 3800 rpm   4 cylinders   2143 cc	Euro 6b Gr. III/Euro VI <sup>2</sup>	330 Nm at 1200-2400 rpm	2196	804	5000						
311 CDI FWD	3.5	Diesel <sup>1</sup>	114 hp (84 kW) at 3800 rpm   4 cylinders   2143 cc	Euro 6b Gr. III/Euro VI <sup>2</sup>	300 Nm at 1400-2400 rpm	2196	1304	5500						
314 CDI FWD	3.5	Diesel <sup>1</sup>	143 hp (100 kW) at 3800 rpm   4 cylinders   2143 cc	Euro 6b Gr. III/Euro VI <sup>2</sup>	330 Nm at 1200-2400 rpm	2196	1304	5500						
311 CDI RWD	3.5	Diesel <sup>1</sup>	114 hp (84 kW) at 3800 rpm   4 cylinders   2143 cc	Euro 6b Gr. III/Euro VI <sup>2</sup>	300 Nm at 1400-2400 rpm	2236-2300	1200-1264	5500						
314 CDI RWD	3.5	Diesel <sup>1</sup>	143 hp (100 kW) at 3800 rpm   4 cylinders   2143 cc	Euro 6b Gr. III/Euro VI <sup>2</sup>	330 Nm at 1200-2400 rpm	2236-2300	1200-1264	5500						
316 CDI RWD	3.5	Diesel <sup>1</sup>	163 hp (120 kW) at 3800 rpm   4 cylinders   2143 cc	Euro 6b Gr. III/Euro VI <sup>2</sup>	360 Nm at 1400-2400 rpm	2236-2300	1200-1264	5500						
319 CDI RWD	3.5	Diesel <sup>1</sup>	190 hp (140 kW) at 3800 rpm   6 cylinders/V 72°   2987 cc	Euro VI	440 Nm at 1400-2400 rpm	2236-2300	1200-1264	5500						
411 CDI FWD	4.1	Diesel <sup>1</sup>	114 hp (84 kW) at 3800 rpm   4 cylinders   2143 cc	Euro 6b Gr. III/Euro VI <sup>2</sup>	300 Nm at 1400-2400 rpm	2222	1878	6100						
414 CDI FWD	4.1	Diesel <sup>1</sup>	143 hp (100 kW) at 3800 rpm   4 cylinders   2143 cc	Euro 6b Gr. III/Euro VI <sup>2</sup>	330 Nm at 1200-2400 rpm	2222	1878	6100						
414 CDI RWD	4.1	Diesel <sup>1</sup>	143 hp (100 kW) at 3800 rpm   4 cylinders   2143 cc	Euro 6b Gr. III/Euro VI <sup>2</sup>	330 Nm at 1200-2400 rpm	2236-2278	1822-1864	6100						
416 CDI RWD	4.1	Diesel <sup>1</sup>	163 hp (120 kW) at 3800 rpm   4 cylinders   2143 cc	Euro 6b Gr. III/Euro VI <sup>2</sup>	360 Nm at 1400-2400 rpm	2236-2278	1822-1864	6100						
419 CDI RWD	4.1	Diesel <sup>1</sup>	190 hp (140 kW) at 3800 rpm   6 cylinders/V 72°   2987 cc	Euro VI	440 Nm at 1400-2400 rpm	2236-2278	1822-1864	6100						
514 CDI RWD	5.0	Diesel <sup>1</sup>	143 hp (100 kW) at 3800 rpm   4 cylinders   2143 cc	Euro 6b Gr. III/Euro VI <sup>2</sup>	330 Nm at 1200-2400 rpm	2453-2495	2505-2547	7000						
516 CDI RWD	5.0	Diesel <sup>1</sup>	163 hp (120 kW) at 3800 rpm   4 cylinders   2143 cc	Euro 6b Gr. III/Euro VI <sup>2</sup>	360 Nm at 1400-2400 rpm	2453-2495	2505-2547	7000						
519 CDI RWD	5.0	Diesel <sup>1</sup>	190 hp (140 kW) at 3800 rpm   6 cylinders/V 72°   2987 cc	Euro VI	440 Nm at 1400-2400 rpm	2453-2495	2505-2547	7000						
<b>L3</b>														
311 CDI RWD	3.5	Diesel <sup>1</sup>	114 hp (84 kW) at 3800 rpm   4 cylinders   2143 cc	Euro 6b Gr. III/Euro VI <sup>2</sup>	300 Nm at 1400-2400 rpm	2422-2486	1014-1078	5500				150	6.9m <sup>2</sup> 14m <sup>3</sup> 4307mm	15.2-16.1 14.3-15.3
314 CDI RWD	3.5	Diesel <sup>1</sup>	143 hp (100 kW) at 3800 rpm   4 cylinders   2143 cc	Euro 6b Gr. III/Euro VI <sup>2</sup>	330 Nm at 1200-2400 rpm	2422-2486	1014-1078	5500						
316 CDI RWD	3.5	Diesel <sup>1</sup>	163 hp (120 kW) at 3800 rpm   4 cylinders   2143 cc	Euro 6b Gr. III/Euro VI <sup>2</sup>	360 Nm at 1400-2400 rpm	2422-2486	1014-1078	5500						
319 CDI RWD	3.5	Diesel <sup>1</sup>	190 hp (140 kW) at 3800 rpm   6 cylinders/V 72°   2987 cc	Euro VI	440 Nm at 1400-2400 rpm	2422-2486	1014-1078	5500						
414 CDI RWD	4.1	Diesel <sup>1</sup>	143 hp (100 kW) at 3800 rpm   4 cylinders   2143 cc	Euro 6b Gr. III/Euro VI <sup>2</sup>	330 Nm at 1200-2400 rpm	2422	1678	6100						
416 CDI RWD	4.1	Diesel <sup>1</sup>	163 hp (120 kW) at 3800 rpm   4 cylinders   2143 cc	Euro 6b Gr. III/Euro VI <sup>2</sup>	360 Nm at 1400-2400 rpm	2422	1678	6100						
514 CDI RWD	5.0	Diesel <sup>1</sup>	143 hp (100 kW) at 3800 rpm   4 cylinders   2143 cc	Euro 6b Gr. III/Euro VI <sup>2</sup>	330 Nm at 1200-2400 rpm	2652-2694	2306-2343	7000						
516 CDI RWD	5.0	Diesel <sup>1</sup>	163 hp (120 kW) at 3800 rpm   4 cylinders   2143 cc	Euro 6b Gr. III/Euro VI <sup>2</sup>	360 Nm at 1400-2400 rpm	2652-2694	2306-2343	7000						
519 CDI RWD	5.0	Diesel <sup>1</sup>	190 hp (140 kW) at 3800 rpm   6 cylinders/V 72°   2987 cc	Euro VI	440 Nm at 1400-2400 rpm	2652-2694	2306-2343	7000						
<b>L4</b>														
311 CDI RWD	3.5	Diesel <sup>1</sup>	114 hp (84 kW) at 3800 rpm   4 cylinders   2143 cc	Euro 6b Gr. III/Euro VI <sup>2</sup>	300 Nm at 1400-2400 rpm	TBC		5500	150	7.606m <sup>2</sup> 15.5m <sup>3</sup> 4707mm	15.2-16.1 14.3-15.3			
314 CDI RWD	3.5	Diesel <sup>1</sup>	143 hp (100 kW) at 3800 rpm   4 cylinders   2143 cc	Euro 6b Gr. III/Euro VI <sup>2</sup>	330 Nm at 1200-2400 rpm			5500						
316 CDI RWD	3.5	Diesel <sup>1</sup>	163 hp (120 kW) at 3800 rpm   4 cylinders   2143 cc	Euro 6b Gr. III/Euro VI <sup>2</sup>	360 Nm at 1400-2400 rpm			5500						
319 CDI RWD	3.5	Diesel <sup>1</sup>	190 hp (140 kW) at 3800 rpm   6 cylinders/V 72°   2987 cc	Euro VI	440 Nm at 1400-2400 rpm			5500						
414 CDI RWD	4.1	Diesel <sup>1</sup>	143 hp (100 kW) at 3800 rpm   4 cylinders   2143 cc	Euro 6b Gr. III/Euro VI <sup>2</sup>	330 Nm at 1200-2400 rpm			6100						
416 CDI RWD	4.1	Diesel <sup>1</sup>	163 hp (120 kW) at 3800 rpm   4 cylinders   2143 cc	Euro 6b Gr. III/Euro VI <sup>2</sup>	360 Nm at 1400-2400 rpm			6100						
514 CDI RWD	5.0	Diesel <sup>1</sup>	143 hp (100 kW) at 3800 rpm   4 cylinders   2143 cc	Euro 6b Gr. III/Euro VI <sup>2</sup>	330 Nm at 1200-2400 rpm			7000						
516 CDI RWD	5.0	Diesel <sup>1</sup>	163 hp (120 kW) at 3800 rpm   4 cylinders   2143 cc	Euro 6b Gr. III/Euro VI <sup>2</sup>	360 Nm at 1400-2400 rpm			7000						
519 CDI RWD	5.0	Diesel <sup>1</sup>	190 hp (140 kW) at 3800 rpm   6 cylinders/V 72°   2987 cc	Euro VI	440 Nm at 1400-2400 rpm			7000						

<sup>1</sup>Diesel particulate filter is standard equipment for all diesel engines. <sup>2</sup>Euro VI is possible for a reference mass of 2380 kg or higher. Euro VI is added automatically for a reference mass of 2840 kg or higher and added with certain options. <sup>3</sup>Figures according to Directive 97/27/EC, version applicable at the time of going to press: Mass of the vehicle in running order means the mass of the unladen vehicle with bodywork, and with coupling device in the case of a towing vehicle, in running order, or the mass of the chassis with cab if the manufacturer does not fit the bodywork and/or coupling device. (including coolant, oils, 90% fuel, 100% other liquids except used waters, tools, spare wheel and driver (75 kg), and, for buses and coaches, the mass of the crew member (75 kg) if there is a crew seat in the vehicle). <sup>4</sup>For vehicles with all-wheel drive, kerb weight is increased by approx. 130-165 kg. <sup>5</sup>For vehicles with all-wheel drive, payload decreases by approx. 130-165 kg. <sup>6</sup>Increased permissible GCW in conjunction with reinforced trailer coupling as optional equipment.

Information in accordance with Regulation (EU) 1230/2012 in the version valid at the time of printing. (With driver 75 kg, all operating fluids and 90% tank filling.) For further information please contact your Mercedes-Benz sales representative. Original accessories can have relevant vehicle characteristics such as weight, rolling and air resistance, and have an influence on the values of consumption and driving performance in addition to traffic and weather conditions.

# Fuel consumption and CO<sub>2</sub> emissions - Panel van

Please speak to your local Dealer for further information.

FWD Engine	Transmission	CO <sub>2</sub> emissions combined [g/km]	Fuel economy, urban, mpg	Fuel economy, extra-urban, mpg	Fuel economy, combined, mpg
211CDI L1	6-speed manual	208	30.1	38.7	35.8
	9-speed automatic	216	32.8	34.9	34.4
211CDI L2	6-speed manual	213	29.7	37.7	34.9
	9-speed automatic	219	32.5	34.4	34.0
214CDI L1	6-speed manual	208	30.1	38.7	35.8
	9-speed automatic	216	32.8	34.9	34.4
214CDI L2	6-speed manual	213	29.7	37.7	34.9
	9-speed automatic	219	32.5	34.4	34.0
311CDI L1	6-speed manual	208	30.1	38.7	35.8
	9-speed automatic	216	32.8	34.9	34.4
311CDI L2	6-speed manual	213	29.7	37.7	34.9
	9-speed automatic	219	32.5	34.4	34.0
314CDI L1	6-speed manual	208	30.1	38.7	35.8
	9-speed automatic	216	32.8	34.9	34.4
314CDI L2	6-speed manual	213	29.7	37.7	34.9
	9-speed automatic	219	32.5	34.4	34.0
411CDI L1	6-speed manual	208	30.1	38.7	35.8
	9-speed automatic	216	32.8	34.9	34.4
411CDI L2	6-speed manual	213	29.7	37.7	34.9
	9-speed automatic	219	32.5	34.4	34.0
414CDI L1	6-speed manual	208	30.1	38.7	35.8
	9-speed automatic	216	32.8	34.9	34.4
414CDI L2	6-speed manual	213	29.7	37.7	34.9
	9-speed automatic	219	32.5	34.4	34.0

RWD Engine	Transmission	Rear axle ratio	CO <sub>2</sub> emissions [g/km]	Fuel economy, urban, mpg	Fuel economy, extra-urban, mpg	Fuel economy, combined, mpg
311CDI L2	6-speed manual	4,182	217	29.4	38.2	34.0
	7-speed automatic	4,182	215	34.0	35.8	34.4
311CDI L3	6-speed manual	4,182	219	28.5	37.2	33.6
	7-speed automatic	4,182	217	33.6	35.3	34.0
314CDI L2	6-speed manual	3,923	207	31.7	38.7	35.8
	7-speed automatic	3,923	211	32.8	36.7	35.3
314CDI L3	6-speed manual	3,923	210	31.4	37.7	35.3
	7-speed automatic	3,923	213	32.1	36.2	34.9
316CDI L2	6-speed manual	3,923	207	31.7	38.7	35.8
	7-speed automatic	3,692	203	34.9	37.2	36.2
316CDI L3	6-speed manual	3,923	210	31.4	37.7	35.3
	7-speed automatic	3,692	207	34.4	36.7	35.8
319CDI L2	7-speed automatic	3,692	249	26.9	31.7	29.7
319CDI L3	7-speed automatic	3,692	249	26.9	31.7	29.7
414CDI L2	6-speed manual	4,182	217	29.4	38.2	34.0
	7-speed automatic	3,923	211	32.8	36.7	35.3
414CDI L3	6-speed manual	4,182	219	28.5	37.2	33.6
	7-speed automatic	3,923	213	32.1	36.2	34.9
416CDI L2	6-speed manual	3,923	207	31.7	38.7	35.8
	7-speed automatic	3,692	203	34.9	37.2	36.2
416CDI L3	6-speed manual	3,923	210	31.4	37.7	35.3
	7-speed automatic	3,692	207	34.4	36.7	35.8
419CDI L2	7-speed automatic	3,692	249	26.9	31.7	29.7
514CDI L2	6-speed manual	4,727	185	36.2	43.5	40.4
	7-speed automatic	4,182	205	29.7	41.5	36.2
514CDI L3	6-speed manual	4,727	188	35.8	42.8	39.8
	7-speed automatic	4,182	208	29.4	40.9	35.8
516CDI L2	6-speed manual	4,182	199	30.7	42.8	37.2
	7-speed automatic	4,182	205	29.7	41.5	36.2
516CDI L3	6-speed manual	4,182	202	30.4	42.2	36.7
	7-speed automatic	4,182	208	29.4	40.9	35.8
519CDI L2	7-speed automatic	3,692	249	26.9	31.7	29.7
519CDI L3	7-speed automatic	3,692	249	26.9	31.7	29.7

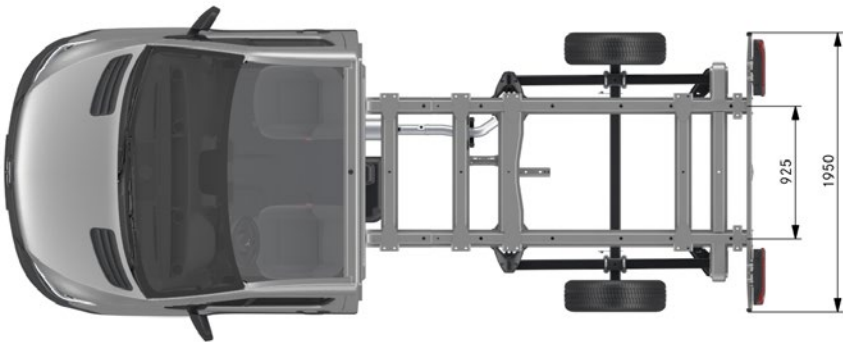
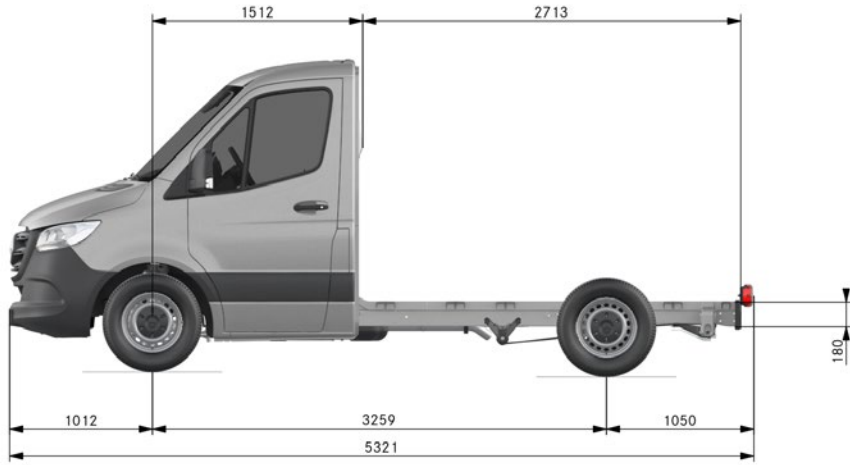
The stated values have been determined according to the respective measuring method (according to Regulation (EC) No 715/2007, as amended). Note: The information does not refer to a single vehicle and is not part of the offer, but serves solely for purposes of comparison between the different vehicle types. CO<sub>2</sub> emissions resulting from the production and supply of fuel or other energy sources are not taken into account when CO<sub>2</sub> emissions are determined in accordance with Directive 1999/94 / EC.

# Fuel consumption and CO<sub>2</sub> emissions - Panel van

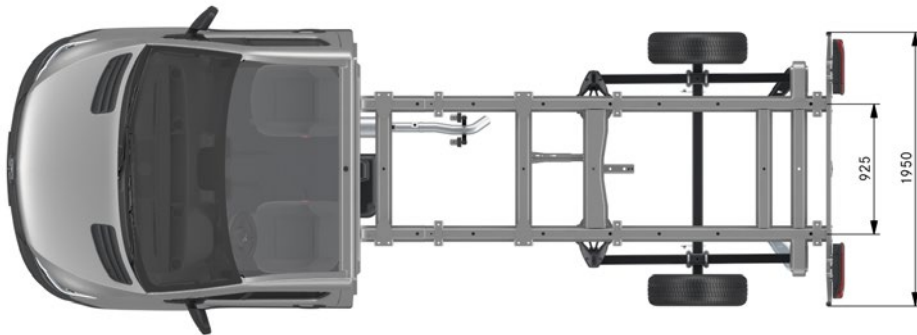
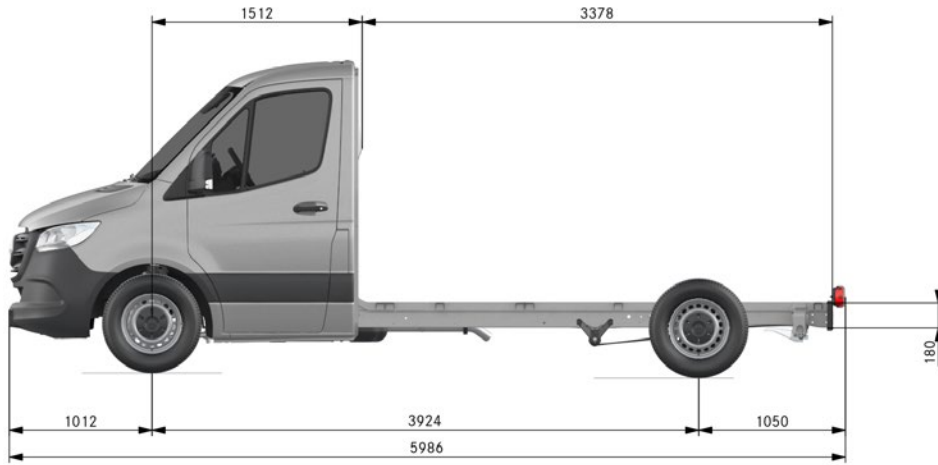
AWD Engine	Transmission	Rear axle ratio	CO <sub>2</sub> emissions [g/km]	Fuel economy, urban, mpg	Fuel economy, extra-urban, mpg	Fuel economy, combined, mpg
316CDI L2	6-speed manual	4,182	226	27.4	37.1	32.8
	7-speed automatic	3,923	235	27.6	34.4	31.7
316CDI L3	6-speed manual	4,182	230	27.1	36.6	32.4
	7-speed automatic	3,923	238	27.4	34.0	31.3
319CDI L2	7-speed automatic	3,923	258	24.7	32.1	28.8
319CDI L3	7-speed automatic	3,923	261	24.5	31.7	28.5
516CDI L2	6-speed manual	TBC	TBC	TBC	TBC	TBC
	7-speed automatic	TBC	TBC	TBC	TBC	TBC
516CDI L3	6-speed manual	TBC	TBC	TBC	TBC	TBC
	7-speed automatic	TBC	TBC	TBC	TBC	TBC
519CDI L2	7-speed automatic	TBC	TBC	TBC	TBC	TBC
519CDI L3	7-speed automatic	TBC	TBC	TBC	TBC	TBC

The stated values have been determined according to the respective measuring method (according to Regulation (EC) No 715/2007, as amended). Note: The information does not refer to a single vehicle and is not part of the offer, but serves solely for purposes of comparison between the different vehicle types. CO<sub>2</sub> emissions resulting from the production and supply of fuel or other energy sources are not taken into account when CO<sub>2</sub> emissions are determined in accordance with Directive 1999/94 / EC.

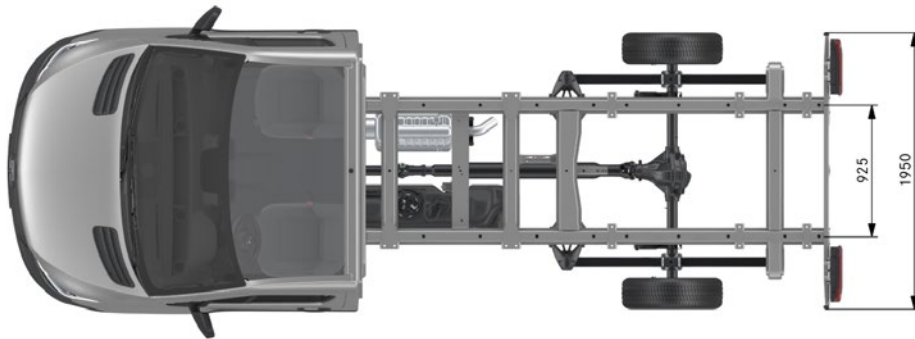
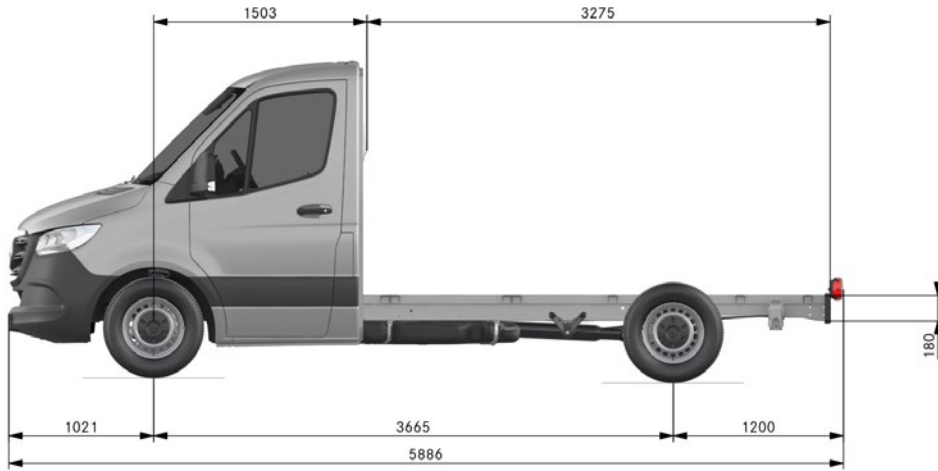
# Dimensions - Chassis cab L1 FWD



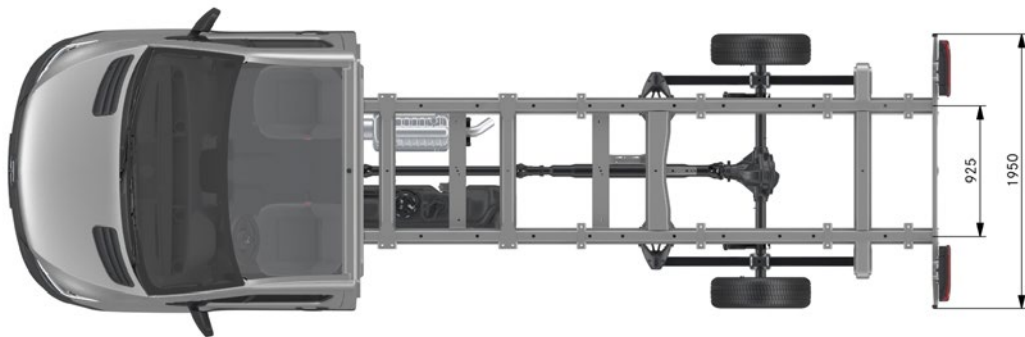
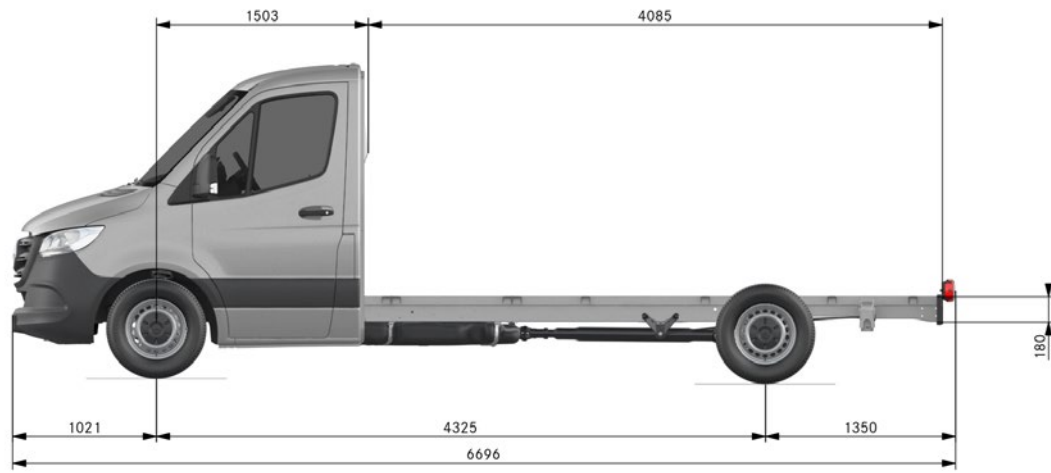
# Dimensions - Chassis cab L2 FWD



# Dimensions - Chassis cab L2 RWD



# Dimensions - Chassis cab L3 RWD



# Technical data - Chassis cab

These figures are for the Chassis cab base vehicle only. The figures will change once body work is fitted.

	Perm GVW (t)	Fuel	Engine output	Emission standard	Torque	Kerb weight <sup>3,4</sup> , kg (Pre-body fitting data only)	Payload <sup>5</sup> , kg (Pre-body fitting data only)	Perm Gross Combination Weight, kg	Turning circle Ø, m Track circle Ø, m
<b>L1</b>									
211 CDi FWD	3.0	Diesel <sup>1</sup>	114 hp (84 kW) at 3800 rpm   4 cylinders   2143 cc	Euro 6b Gr. III/Euro VI <sup>2</sup>	300 Nm at 1200-2200 rpm	1819	1371	5190	13-13.4 12.2-12.6
214 CDi FWD	3.0	Diesel <sup>1</sup>	143 hp (100 kW) at 3800 rpm   4 cylinders   2143 cc	Euro 6b Gr. III/Euro VI <sup>2</sup>	330 Nm at 1200-2400 rpm	1819	1371	5190	
311 CDi FWD	3.5	Diesel <sup>1</sup>	114 hp (84 kW) at 3800 rpm   4 cylinders   2143 cc	Euro 6b Gr. III/Euro VI <sup>2</sup>	300 Nm at 1200-2200 rpm	1819	1681	5500	
314 CDi FWD	3.5	Diesel <sup>1</sup>	143 hp (100 kW) at 3800 rpm   4 cylinders   2143 cc	Euro 6b Gr. III/Euro VI <sup>2</sup>	330 Nm at 1200-2400 rpm	1819	1681	5500	
411 CDi FWD	4.1	Diesel <sup>1</sup>	114 hp (84 kW) at 3800 rpm   4 cylinders   2143 cc	Euro 6b Gr. III/Euro VI <sup>2</sup>	300 Nm at 1200-2200 rpm	1858	2242	6100	
414 CDi FWD	4.1	Diesel <sup>1</sup>	143 hp (100 kW) at 3800 rpm   4 cylinders   2143 cc	Euro 6b Gr. III/Euro VI <sup>2</sup>	330 Nm at 1200-2400 rpm	1858	2242	6100	
<b>L2</b>									
211 CDi FWD	3.0	Diesel <sup>1</sup>	114 hp (84 kW) at 3800 rpm   4 cylinders   2143 cc	Euro 6b Gr. III/Euro VI <sup>2</sup>	300 Nm at 1400-2400 rpm	1834	1356	5190	13.2-15.7 12.3-14.9
214 CDi FWD	3.0	Diesel <sup>1</sup>	143 hp (100 kW) at 3800 rpm   4 cylinders   2143 cc	Euro 6b Gr. III/Euro VI <sup>2</sup>	330 Nm at 1200-2400 rpm	1834	1356	5190	
311 CDi FWD	3.5	Diesel <sup>1</sup>	114 hp (84 kW) at 3800 rpm   4 cylinders   2143 cc	Euro 6b Gr. III/Euro VI <sup>2</sup>	300 Nm at 1400-2400 rpm	1834	1666	5500	
314 CDi FWD	3.5	Diesel <sup>1</sup>	143 hp (100 kW) at 3800 rpm   4 cylinders   2143 cc	Euro 6b Gr. III/Euro VI <sup>2</sup>	330 Nm at 1200-2400 rpm	1834	1666	5500	
311 CDi RWD	3.5	Diesel <sup>1</sup>	114 hp (84 kW) at 3800 rpm   4 cylinders   2143 cc	Euro 6b Gr. III/Euro VI <sup>2</sup>	300 Nm at 1400-2400 rpm	1884-1946	1554-1616	5500	
314 CDi RWD	3.5	Diesel <sup>1</sup>	143 hp (100 kW) at 3800 rpm   4 cylinders   2143 cc	Euro 6b Gr. III/Euro VI <sup>2</sup>	330 Nm at 1200-2400 rpm	1884-1946	1554-1616	5500	
316 CDi RWD	3.5	Diesel <sup>1</sup>	163 hp (120 kW) at 3800 rpm   4 cylinders   2143 cc	Euro 6b Gr. III/Euro VI <sup>2</sup>	360 Nm at 1400-2400 rpm	1884-1946	1554-1616	5500	
319 CDi RWD	3.5	Diesel <sup>1</sup>	190 hp (140 kW) at 3800 rpm   6 cylinders/V 72°   2987 cc	Euro VI	440 Nm at 1400-2400 rpm	1884-1946	1554-1616	5500	
411 CDi FWD	4.1	Diesel <sup>1</sup>	114 hp (84 kW) at 3800 rpm   4 cylinders   2143 cc	Euro 6b Gr. III/Euro VI <sup>2</sup>	300 Nm at 1400-2400 rpm	1874	2226	6100	
414 CDi FWD	4.1	Diesel <sup>1</sup>	143 hp (100 kW) at 3800 rpm   4 cylinders   2143 cc	Euro 6b Gr. III/Euro VI <sup>2</sup>	330 Nm at 1200-2400 rpm	1874	2226	6100	
514 CDi RWD	5.0	Diesel <sup>1</sup>	143 hp (100 kW) at 3800 rpm   4 cylinders   2143 cc	Euro 6b Gr. III/Euro VI <sup>2</sup>	330 Nm at 1200-2400 rpm	2116-2156	2842-2884	7000	
516 CDi RWD	5.0	Diesel <sup>1</sup>	163 hp (120 kW) at 3800 rpm   4 cylinders   2143 cc	Euro 6b Gr. III/Euro VI <sup>2</sup>	360 Nm at 1400-2400 rpm	2116-2156	2842-2884	7000	
519 CDi RWD	5.0	Diesel <sup>1</sup>	190 hp (140 kW) at 3800 rpm   6 cylinders/V 72°   2987 cc	Euro VI	440 Nm at 1400-2400 rpm	2116-2156	2842-2884	7000	
<b>L3</b>									
311 CDi RWD	3.5	Diesel <sup>1</sup>	114 hp (84 kW) at 3800 rpm   4 cylinders   2143 cc	Euro 6b Gr. III/Euro VI <sup>2</sup>	300 Nm at 1400-2400 rpm	1916-1980	1520-1584	5500	15.2-16.1 14.3-15.3
314 CDi RWD	3.5	Diesel <sup>1</sup>	143 hp (100 kW) at 3800 rpm   4 cylinders   2143 cc	Euro 6b Gr. III/Euro VI <sup>2</sup>	330 Nm at 1200-2400 rpm	1916-1980	1520-1584	5500	
316 CDi RWD	3.5	Diesel <sup>1</sup>	163 hp (120 kW) at 3800 rpm   4 cylinders   2143 cc	Euro 6b Gr. III/Euro VI <sup>2</sup>	360 Nm at 1400-2400 rpm	1916-1980	1520-1584	5500	
319 CDi RWD	3.5	Diesel <sup>1</sup>	190 hp (140 kW) at 3800 rpm   6 cylinders/V 72°   2987 cc	Euro VI	440 Nm at 1400-2400 rpm	1916-1980	1520-1584	5500	
514 CDi RWD	5.0	Diesel <sup>1</sup>	143 hp (100 kW) at 3800 rpm   4 cylinders   2143 cc	Euro 6b Gr. III/Euro VI <sup>2</sup>	330 Nm at 1200-2400 rpm	2154-2196	2804-2846	7000	
516 CDi RWD	5.0	Diesel <sup>1</sup>	163 hp (120 kW) at 3800 rpm   4 cylinders   2143 cc	Euro 6b Gr. III/Euro VI <sup>2</sup>	360 Nm at 1400-2400 rpm	2154-2196	2804-2846	7000	
519 CDi RWD	5.0	Diesel <sup>1</sup>	190 hp (140 kW) at 3800 rpm   6 cylinders/V 72°   2987 cc	Euro VI	440 Nm at 1400-2400 rpm	2154-2196	2804-2846	7000	

<sup>1</sup>Diesel particulate filter is standard equipment for all diesel engines. <sup>2</sup>Euro VI is possible for a reference mass of 2380 kg or higher. Euro VI is added automatically for a reference mass of 2840 kg or higher and added with certain options. <sup>3</sup>Figures according to Directive 97/27/EC, version applicable at the time of going to press: Mass of the vehicle in running order means the mass of the unladen vehicle with bodywork, and with coupling device in the case of a towing vehicle, in running order, or the mass of the chassis with cab if the manufacturer does not fit the bodywork and/or coupling device. (including coolant, oils, 90% fuel, 100% other liquids except used waters, tools, spare wheel and driver (75 kg), and, for buses and coaches, the mass of the crew member (75 kg) if there is a crew seat in the vehicle). <sup>4</sup>For vehicles with all-wheel drive, kerb weight is increased by approx. 130-165 kg. <sup>5</sup>For vehicles with all-wheel drive, payload decreases by approx. 130-165 kg. <sup>6</sup>Increased permissible GCW in conjunction with reinforced trailer coupling as optional equipment.

Information in accordance with Regulation (EU) 1230/2012 in the version valid at the time of printing. (With driver 75 kg, all operating fluids and 90% tank filling.) For further information please contact your Mercedes-Benz sales representative. Original accessories can have relevant vehicle characteristics such as weight, rolling and air resistance, and have an influence on the values of consumption and driving performance in addition to traffic and weather conditions.



# Fuel consumption and CO<sub>2</sub> emissions - Chassis cab

Please speak to your local Dealer for further information. These figures are for the Chassis cab base vehicle only. The figures will change once the body work is fitted.

FWD Engine	Transmission	CO <sub>2</sub> emissions combined [g/km]	Fuel economy, urban, mpg	Fuel economy, extra-urban, mpg	Fuel economy, combined, mpg
211CDI L1	6-speed manual	211	31	40.4	36.7
	9-speed automatic	210	33.2	36.2	35.3
211CDI L2	6-speed manual	201	31	40.4	36.7
	9-speed automatic	210	33.2	36.2	35.3
214CDI L1	6-speed manual	201	31	40.4	36.7
	9-speed automatic	210	33.2	36.2	35.3
214CDI L2	6-speed manual	201	31	40.4	36.7
	9-speed automatic	210	33.2	36.2	35.3
311CDI L1	6-speed manual	201	31	40.4	36.7
	9-speed automatic	210	33.2	36.2	35.3
311CDI L2	6-speed manual	201	31	40.4	36.7
	9-speed automatic	210	33.2	36.2	35.3
314CDI L1	6-speed manual	201	31	40.4	36.7
	9-speed automatic	210	33.2	36.2	35.3
314CDI L2	6-speed manual	201	31	40.4	36.7
	9-speed automatic	210	33.2	36.2	35.3
411CDI L1	6-speed manual	211	31	40.4	36.7
	9-speed automatic	210	33.2	36.2	35.3
411CDI L2	6-speed manual	201	31	40.4	36.7
	9-speed automatic	210	33.2	36.2	35.3
414CDI L1	6-speed manual	201	31	40.4	36.7
	9-speed automatic	210	33.2	36.2	35.3
414CDI L2	6-speed manual	201	31	40.4	36.7
	9-speed automatic	210	33.2	36.2	35.3

RWD Engine	Transmission	Rear axle ratio	CO <sub>2</sub> emissions [g/km]	Fuel economy, urban, mpg	Fuel economy, extra-urban, mpg	Fuel economy, combined, mpg
311CDI L2	6-speed manual	4,182	208	30.1	39.8	35.8
	7-speed automatic	4,182	206	35.3	36.7	35.8
311CDI L3	6-speed manual	4,182	208	30.1	39.8	35.8
	7-speed automatic	4,182	209	34.9	36.2	35.3
314CDI L2	6-speed manual	3,923	198	31.7	40.9	37.2
	7-speed automatic	3,923	202	34.9	37.7	36.7
314CDI L3	6-speed manual	3,923	198	32.1	40.9	37.2
	7-speed automatic	3,923	202	34.9	37.7	36.7
316CDI L2	6-speed manual	3,923	198	31.7	40.9	37.2
	7-speed automatic	3,692	194	36.2	39.2	38.2
316CDI L3	6-speed manual	3,923	198	32.1	40.9	37.2
	7-speed automatic	3,692	194	36.2	39.2	38.2
319CDI L2	7-speed automatic	3,692	249	26.9	31.7	29.7
319CDI L3	7-speed automatic	3,692	249	26.9	31.7	29.7
514CDI L2	6-speed manual	4,727	185	36.2	43.5	40.4
	7-speed automatic	4,182	205	29.7	41.5	36.2
514CDI L3	6-speed manual	4,727	185	36.2	43.5	40.4
	7-speed automatic	4,182	208	29.4	40.9	35.8
516CDI L2	6-speed manual	4,182	199	30.7	42.8	37.2
	7-speed automatic	4,182	205	29.7	41.5	36.2
516CDI L3	6-speed manual	4,182	199	30.7	42.8	37.2
	7-speed automatic	4,182	208	29.4	40.9	35.8
519CDI L2	7-speed automatic	3,692	249	26.9	31.7	29.7
519CDI L3	7-speed automatic	3,692	249	26.9	31.7	29.7

CDI engines certified in accordance with Euro 6c Gr. III as standard. The figures indicated have been calculated in accordance with the prescribed measuring process (Directive [EC] 715/2007 in the currently applicable version). The figures are not based on an individual vehicle model and do not constitute part of the product offer; they are provided solely for purposes of comparison between vehicle models. Table shows values for vehicles with manual transmission.

The stated values have been determined according to the respective measuring method (according to Regulation (EC) No 715/2007, as amended). Note: The information does not refer to a single vehicle and is not part of the offer, but serves solely for purposes of comparison between the different vehicle types. CO<sub>2</sub> emissions resulting from the production and supply of fuel or other energy sources are not taken into account when CO<sub>2</sub> emissions are determined in accordance with Directive 1999/94 / EC.

# Fuel consumption and CO<sub>2</sub> emissions - Chassis cab

Please speak to your local Dealer for further information. These figures are for the Chassis cab base vehicle only. The figures will change once the body work is fitted.

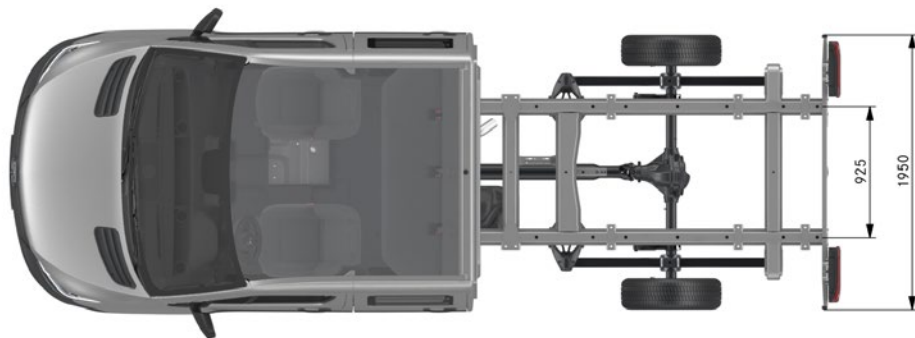
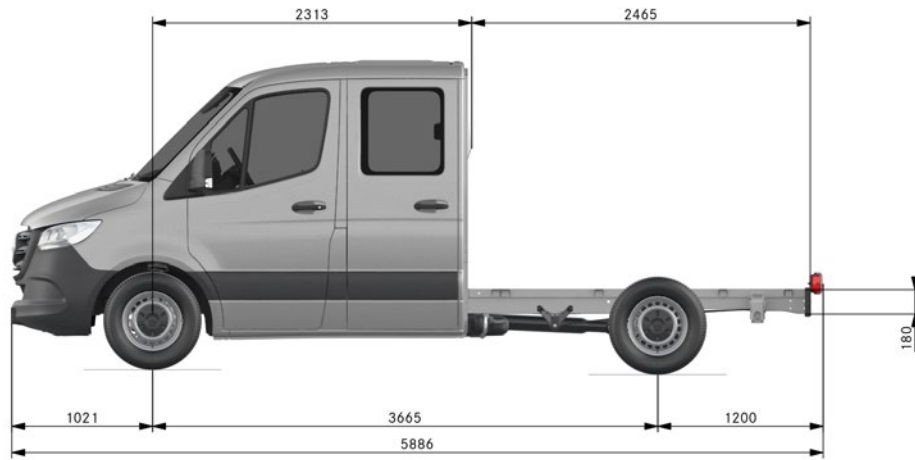
AWD Engine	Transmission	Rear axle ratio	CO <sub>2</sub> emissions [g/km]	Fuel economy, urban, mpg	Fuel economy, extra-urban, mpg	Fuel economy, combined, mpg
316CDI L2	6-speed manual	TBC	TBC	TBC	TBC	TBC
	7-speed automatic	TBC	TBC	TBC	TBC	TBC
316CDI L3	6-speed manual	TBC	TBC	TBC	TBC	TBC
	7-speed automatic	TBC	TBC	TBC	TBC	TBC
319CDI L2	7-speed automatic	TBC	TBC	TBC	TBC	TBC
319CDI L3	7-speed automatic	TBC	TBC	TBC	TBC	TBC
516CDI L2	6-speed manual	TBC	TBC	TBC	TBC	TBC
	7-speed automatic	TBC	TBC	TBC	TBC	TBC
516CDI L3	6-speed manual	TBC	TBC	TBC	TBC	TBC
	7-speed automatic	TBC	TBC	TBC	TBC	TBC
519CDI L2	7-speed automatic	TBC	TBC	TBC	TBC	TBC
519CDI L3	7-speed automatic	TBC	TBC	TBC	TBC	TBC

CDI engines certified in accordance with Euro 6c Gr. III as standard. The figures indicated have been calculated in accordance with the prescribed measuring process (Directive [EC] 715/2007 in the currently applicable version). The figures are not based on an individual vehicle model and do not constitute part of the product offer; they are provided solely for purposes of comparison between vehicle models.

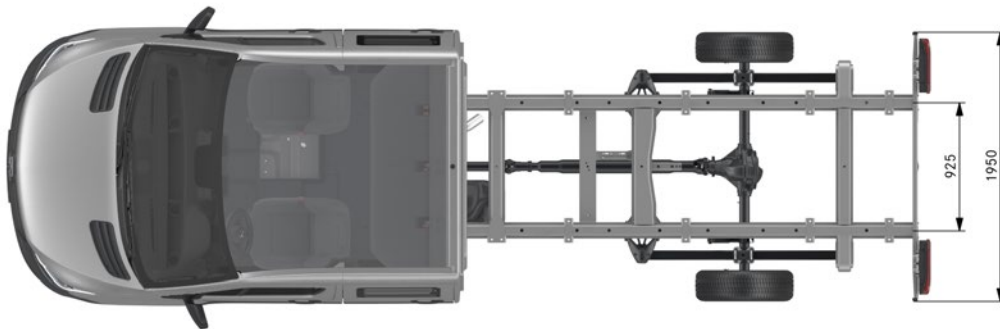
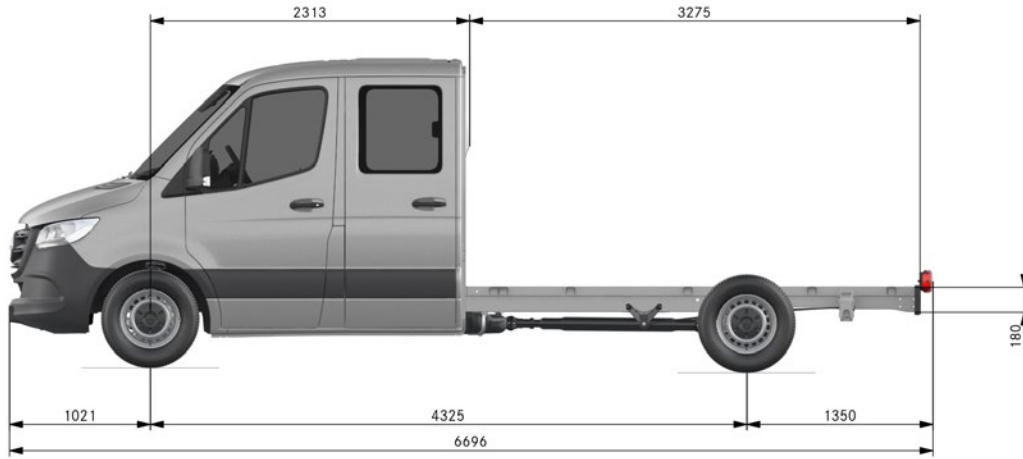
Table shows values for vehicles with manual transmission.

The stated values have been determined according to the respective measuring method (according to Regulation (EC) No 715/2007, as amended). Note: The information does not refer to a single vehicle and is not part of the offer, but serves solely for purposes of comparison between the different vehicle types. CO<sub>2</sub> emissions resulting from the production and supply of fuel or other energy sources are not taken into account when CO<sub>2</sub> emissions are determined in accordance with Directive 1999/94 / EC.

# Dimensions - Chassis Crewcab L2 RWD



# Dimensions - Chassis Crewcab L3 RWD



# Technical data - Chassis crewcab

These figures are for the Chassis crewcab base vehicle only. The figures will change once the body work is fitted.

	Perm GVW (t)	Fuel	Engine output	Emission standard	Torque	Kerb weight <sup>3,4</sup> , kg	Payload <sup>5</sup> , kg	Perm Gross Combination Weight, kg	Turning circle Ø, m Track circle Ø, m
<b>L2</b>									
311 CDI RWD	3.5	Diesel <sup>1</sup>	114 hp (84 kW) at 3800 rpm   4 cylinders   2143 cc	Euro 6b Gr. III/Euro VI <sup>2</sup>	300 Nm at 1400-2400 rpm	2074-2136	1364-1426	5500	13.2-15.7 12.3-14.9
314 CDI RWD	3.5	Diesel <sup>1</sup>	143 hp (100 kW) at 3800 rpm   4 cylinders   2143 cc	Euro 6b Gr. III/Euro VI <sup>2</sup>	330 Nm at 1200-2400 rpm	2074-2136	1364-1426	5500	
316 CDI RWD	3.5	Diesel <sup>1</sup>	163 hp (120 kW) at 3800 rpm   4 cylinders   2143 cc	Euro 6b Gr. III/Euro VI <sup>2</sup>	360 Nm at 1400-2400 rpm	2074-2136	1364-1426	5500	
319 CDI RWD	3.5	Diesel <sup>1</sup>	190 hp (140 kW) at 3800 rpm   6 cylinders/V 72°   2987 cc	Euro VI	440 Nm at 1400-2400 rpm	2074-2136	1364-1426	5500	
514 CDI RWD	5.0	Diesel <sup>1</sup>	143 hp (100 kW) at 3800 rpm   4 cylinders   2143 cc	Euro 6b Gr. III/Euro VI <sup>2</sup>	330 Nm at 1200-2400 rpm	2302-2344	2656-2698	7000	
516 CDI RWD	5.0	Diesel <sup>1</sup>	163 hp (120 kW) at 3800 rpm   4 cylinders   2143 cc	Euro 6b Gr. III/Euro VI <sup>2</sup>	360 Nm at 1400-2400 rpm	2302-2344	2656-2698	7000	
519 CDI RWD	5.0	Diesel <sup>1</sup>	190 hp (140 kW) at 3800 rpm   6 cylinders/V 72°   2987 cc	Euro VI	440 Nm at 1400-2400 rpm	2302-2344	2656-2698	7000	
<b>L3</b>									
311 CDI RWD	3.5	Diesel <sup>1</sup>	114 hp (84 kW) at 3800 rpm   4 cylinders   2143 cc	Euro 6b Gr. III/Euro VI <sup>2</sup>	300 Nm at 1400-2400 rpm	2096-2158	1342-1404	5500	13.2-15.7 12.3-14.9
316 CDI RWD	3.5	Diesel <sup>1</sup>	163 hp (120 kW) at 3800 rpm   4 cylinders   2143 cc	Euro 6b Gr. III/Euro VI <sup>2</sup>	360 Nm at 1400-2400 rpm	2096-2158	1342-1404	5500	
319 CDI RWD	3.5	Diesel <sup>1</sup>	190 hp (140 kW) at 3800 rpm   6 cylinders/V 72°   2987 cc	Euro VI	440 Nm at 1400-2400 rpm	2096-2158	1342-1404	5500	
514 CDI RWD	5.0	Diesel <sup>1</sup>	143 hp (100 kW) at 3800 rpm   4 cylinders   2143 cc	Euro 6b Gr. III/Euro VI <sup>2</sup>	330 Nm at 1200-2400 rpm	2340-2382	2618-2660	7000	
516 CDI RWD	5.0	Diesel <sup>1</sup>	163 hp (120 kW) at 3800 rpm   4 cylinders   2143 cc	Euro 6b Gr. III/Euro VI <sup>2</sup>	360 Nm at 1400-2400 rpm	2340-2382	2618-2660	7000	
519 CDI RWD	5.0	Diesel <sup>1</sup>	190 hp (140 kW) at 3800 rpm   6 cylinders/V 72°   2987 cc	Euro VI	440 Nm at 1400-2400 rpm	2340-2382	2618-2660	7000	

<sup>1</sup>Diesel particulate filter is standard equipment for all diesel engines. <sup>2</sup>Euro VI is possible for a reference mass of 2380 kg or higher. Euro VI is added automatically for a reference mass of 2840 kg or higher and added with certain options. <sup>3</sup> Figures according to Directive 97/27/EC, version applicable at the time of going to press: Mass of the vehicle in running order means the mass of the unladen vehicle with bodywork, and with coupling device in the case of a towing vehicle, in running order, or the mass of the chassis with cab if the manufacturer does not fit the bodywork and/or coupling device. (Including coolant, oils, 90% fuel, 100% other liquids except used waters, tools, spare wheel and driver (75 kg), and, for buses and coaches, the mass of the crew member (75 kg) if there is a crew seat in the vehicle). <sup>4</sup>For vehicles with all-wheel drive, kerb weight is increased by approx. 130-165 kg. <sup>5</sup>For vehicles with all-wheel drive, payload decreases by approx. 130-165 kg. <sup>6</sup>Increased permissible GCW in conjunction with reinforced trailer coupling as optional equipment.

Information in accordance with Regulation (EU) 1230/2012 in the version valid at the time of printing. (With driver 75 kg, all operating fluids and 90% tank filling.) For further information please contact your Mercedes-Benz sales representative. Original accessories can have relevant vehicle characteristics such as weight, rolling and air resistance, and have an influence on the values of consumption and driving performance in addition to traffic and weather conditions.

# Fuel consumption and CO<sub>2</sub> emissions - Chassis crewcab

Please speak to your local Dealer for further information. These figures are for the Chassis crewcab base vehicle only. The figures will change once the bodywork is fitted.

RWD Engine	Transmission	Rear axle ratio	CO <sub>2</sub> emissions [g/km]	Fuel economy, urban, mpg	Fuel economy, extra-urban, mpg	Fuel economy, combined, mpg
311CDI L2	6-speed manual	4,182	211	29.7	39.2	35.3
	7-speed automatic	4,182	212	34.4	35.8	34.9
311CDI L3	6-speed manual	4,182	214	29.4	38.7	34.4
	7-speed automatic	4,182	212	34.4	35.8	34.9
314CDI L2	6-speed manual	3,923	201	32.1	39.8	36.7
	7-speed automatic	3,923	208	33.6	36.7	35.8
314CDI L3	6-speed manual	TBD	TBD	TBD	TBD	TBD
	7-speed automatic	TBD	TBD	TBD	TBD	TBD
316CDI L2	6-speed manual	3,923	201	32.1	39.8	36.7
	7-speed automatic	3,692	200	35.3	37.7	37.2
316CDI L3	6-speed manual	3,923	204	31.7	39.2	36.2
	7-speed automatic	3,692	200	35.3	37.7	37.2
319CDI L2	7-speed automatic	3,692	TBD	TBD	TBD	TBD
319CDI L3	7-speed automatic	3,692	TBD	TBD	TBD	TBD
514CDI L2	6-speed manual	4,727	185	36.2	43.5	40.4
	7-speed automatic	4,182	205	29.7	41.5	36.2
514CDI L3	6-speed manual	4,727	185	36.2	43.5	40.4
	7-speed automatic	4,182	205	29.7	41.5	36.2
516CDI L2	6-speed manual	4,182	199	30.7	42.8	37.2
	7-speed automatic	4,182	205	29.7	41.5	36.2
516CDI L3	6-speed manual	4,182	199	30.7	42.8	37.2
	7-speed automatic	4,182	205	29.7	41.5	36.2
519CDI L2	7-speed automatic	3,692	TBD	TBD	TBD	TBD
519CDI L3	7-speed automatic	3,692	TBD	TBD	TBD	TBD

The stated values have been determined according to the respective measuring method (according to Regulation (EC) No 715/2007, as amended). Note: The information does not refer to a single vehicle and is not part of the offer, but serves solely for purposes of comparison between the different vehicle types. CO<sub>2</sub> emissions resulting from the production and supply of fuel or other energy sources are not taken into account when CO<sub>2</sub> emissions are determined in accordance with Directive 1999/94 / EC.

# Fuel consumption and CO<sub>2</sub> emissions - Chassis crewcab

Please speak to your local Dealer for further information. These figures are for the Chassis crewcab base vehicle only. The figures will change once the bodywork is fitted.

AWD Engine	Transmission	Rear axle ratio	CO <sub>2</sub> emissions [g/km]	Fuel economy, urban, mpg	Fuel economy, extra-urban, mpg	Fuel economy, combined, mpg
516CDI L2	6-speed manual	TBC	TBC	TBC	TBC	TBC
	7-speed automatic	TBC	TBC	TBC	TBC	TBC
516CDI L3	6-speed manual	TBC	TBC	TBC	TBC	TBC
	7-speed automatic	TBC	TBC	TBC	TBC	TBC
519CDI L2	7-speed automatic	TBC	TBC	TBC	TBC	TBC
519CDI L3	7-speed automatic	TBC	TBC	TBC	TBC	TBC

The stated values have been determined according to the respective measuring method (according to Regulation (EC) No 715/2007, as amended). Note: The information does not refer to a single vehicle and is not part of the offer, but serves solely for purposes of comparison between the different vehicle types. CO<sub>2</sub> emissions resulting from the production and supply of fuel or other energy sources are not taken into account when CO<sub>2</sub> emissions are determined in accordance with Directive 1999/94 / EC.

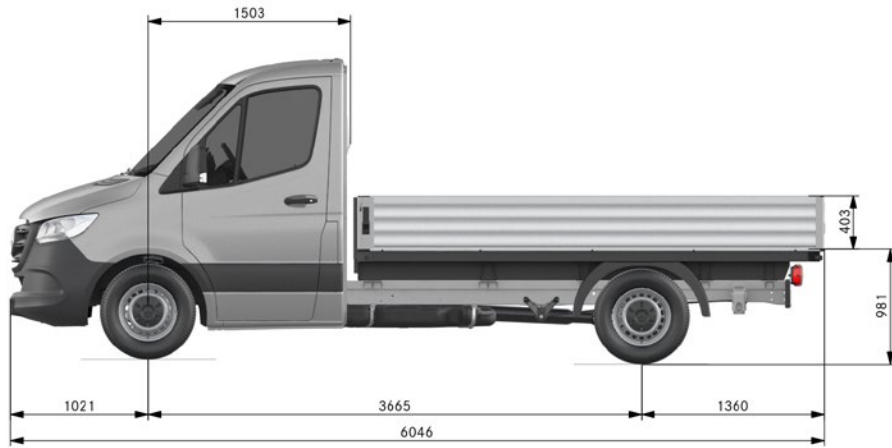
# Dimensions - Dropside L2 FWD



Please note: The stated vehicle dimensions and payload weights are correct according to type approval data. The specific payload values for UK supplied vehicles may differ. The figure quoted does not account for equipment which is included in the UK product offer as standard.

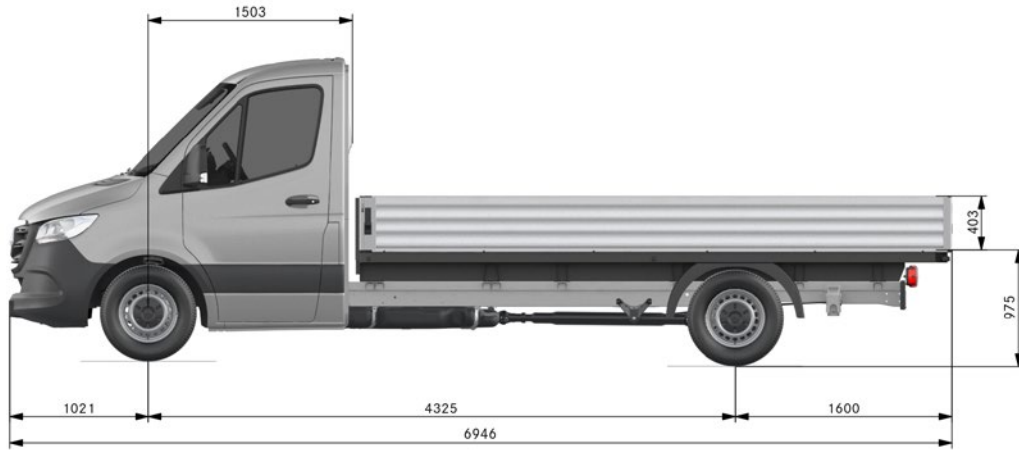


# Dimensions - Dropside L2 RWD



Please note: The stated vehicle dimensions and payload weights are correct according to type approval data. The specific payload values for UK supplied vehicles may differ. The figure quoted does not account for equipment which is included in the UK product offer as standard.

# Dimensions - Dropside L3 RWD



Please note: The stated vehicle dimensions and payload weights are correct according to type approval data. The specific payload values for UK supplied vehicles may differ. The figure quoted does not account for equipment which is included in the UK product offer as standard.

# Technical data - Dropside

	Perm GVW (t)	Fuel	Engine output	Emission standard	Torque	Kerb weight <sup>3,4</sup> , kg	Payload <sup>5</sup> , kg	Perm Gross Combination Weight, kg	Cargo area, m <sup>2</sup> Max. loading length, mm	Turning circle Ø, m Track circle Ø, m
<b>L2</b>										
311 CDi FWD	3.5	Diesel <sup>1</sup>	114 hp (84 kW) at 3800 rpm   4 cylinders   2143 cc	Euro 6b Gr. III/Euro VI <sup>2</sup>	300 Nm at 1400-2400 rpm	2140	1360	5500	6.935-7.139-7.703m <sup>2</sup> 3408-3508-3608mm	13.3-15.2 12.4-14.4
314 CDi FWD	3.5	Diesel <sup>1</sup>	143 hp (100 kW) at 3800 rpm   4 cylinders   2143 cc	Euro 6b Gr. III/Euro VI <sup>2</sup>	330 Nm at 1200-2400 rpm	2140	1360	5500		
311 CDi RWD	3.5	Diesel <sup>1</sup>	114 hp (84 kW) at 3800 rpm   4 cylinders   2143 cc	Euro 6b Gr. III/Euro VI <sup>2</sup>	300 Nm at 1400-2400 rpm	2174-2236	1264-1326	5500		
314 CDi RWD	3.5	Diesel <sup>1</sup>	143 hp (100 kW) at 3800 rpm   4 cylinders   2143 cc	Euro 6b Gr. III/Euro VI <sup>2</sup>	330 Nm at 1200-2400 rpm	2174-2236	1264-1326	5500		
316 CDi RWD	3.5	Diesel <sup>1</sup>	163 hp (120 kW) at 3800 rpm   4 cylinders   2143 cc	Euro 6b Gr. III/Euro VI <sup>2</sup>	360 Nm at 1400-2400 rpm	2174-2236	1264-1326	5500		
319 CDi RWD	3.5	Diesel <sup>1</sup>	190 hp (140 kW) at 3800 rpm   6 cylinders/V 72°   2987 cc	Euro VI	440 Nm at 1400-2400 rpm	2174-2236	1264-1326	5500		
514 CDi RWD	5.0	Diesel <sup>1</sup>	143 hp (100 kW) at 3800 rpm   4 cylinders   2143 cc	Euro 6b Gr. III/Euro VI <sup>2</sup>	330 Nm at 1200-2400 rpm	2470-2512	2488-2530	7000		
516 CDi RWD	5.0	Diesel <sup>1</sup>	163 hp (120 kW) at 3800 rpm   4 cylinders   2143 cc	Euro 6b Gr. III/Euro VI <sup>2</sup>	360 Nm at 1400-2400 rpm	2470-2512	2488-2530	7000		
519 CDi RWD	5.0	Diesel <sup>1</sup>	190 hp (140 kW) at 3800 rpm   6 cylinders/V 72°   2987 cc	Euro VI	440 Nm at 1400-2400 rpm	2470-2512	2488-2530	7000		
<b>L3</b>										
311 CDi RWD	3.5	Diesel <sup>1</sup>	114 hp (84 kW) at 3800 rpm   4 cylinders   2143 cc	Euro 6b Gr. III/Euro VI <sup>2</sup>	300 Nm at 1400-2400 rpm	2266-2330	1170-1234	5500	8.766m <sup>2</sup> 4308mm	13.3-15.2 12.4-14.4
314 CDi RWD	3.5	Diesel <sup>1</sup>	143 hp (100 kW) at 3800 rpm   4 cylinders   2143 cc	Euro 6b Gr. III/Euro VI <sup>2</sup>	330 Nm at 1200-2400 rpm	2266-2330	1170-1234	5500		
316 CDi RWD	3.5	Diesel <sup>1</sup>	163 hp (120 kW) at 3800 rpm   4 cylinders   2143 cc	Euro 6b Gr. III/Euro VI <sup>2</sup>	360 Nm at 1400-2400 rpm	2266-2330	1170-1234	5500		
319 CDi RWD	3.5	Diesel <sup>1</sup>	190 hp (140 kW) at 3800 rpm   6 cylinders/V 72°   2987 cc	Euro VI	440 Nm at 1400-2400 rpm	2266-2330	1170-1234	5500		
514 CDi RWD	5.0	Diesel <sup>1</sup>	143 hp (100 kW) at 3800 rpm   4 cylinders   2143 cc	Euro 6b Gr. III/Euro VI <sup>2</sup>	330 Nm at 1200-2400 rpm	2471-2613	2387-2429	7000		
516 CDi RWD	5.0	Diesel <sup>1</sup>	163 hp (120 kW) at 3800 rpm   4 cylinders   2143 cc	Euro 6b Gr. III/Euro VI <sup>2</sup>	360 Nm at 1400-2400 rpm	2471-2613	2387-2429	7000		
519 CDi RWD	5.0	Diesel <sup>1</sup>	190 hp (140 kW) at 3800 rpm   6 cylinders/V 72°   2987 cc	Euro VI	440 Nm at 1400-2400 rpm	2471-2613	2387-2429	7000		

<sup>1</sup>Diesel particulate filter is standard equipment for all diesel engines. <sup>2</sup>Euro VI is possible for a reference mass of 2380 kg or higher. Euro VI is added automatically for a reference mass of 2840 kg or higher and added with certain options. <sup>3</sup>Figures according to Directive 97/27/EC, version applicable at the time of going to press: Mass of the vehicle in running order means the mass of the unladen vehicle with bodywork, and with coupling device in the case of a towing vehicle, in running order, or the mass of the chassis with cab if the manufacturer does not fit the bodywork and/or coupling device. (including coolant, oils, 90% fuel, 100% other liquids except used waters, tools, spare wheel and driver (75 kg), and, for buses and coaches, the mass of the crew member (75 kg) if there is a crew seat in the vehicle). <sup>4</sup>For vehicles with all-wheel drive, kerb weight is increased by approx. 130-165 kg. <sup>5</sup>For vehicles with all-wheel drive, payload decreases by approx. 130-165 kg. <sup>6</sup>Increased permissible GCW in conjunction with reinforced trailer coupling as optional equipment.

Information in accordance with Regulation (EU) 1230/2012 in the version valid at the time of printing. (With driver 75 kg, all operating fluids and 90% tank filling.) <sup>5</sup> The real consumption values are, a. depending on the vehicle weight and the selected equipment. For further information please contact your Mercedes-Benz sales representative. Original accessories can have relevant vehicle characteristics such as weight, rolling and air resistance, and have an influence on the values of consumption and driving performance in addition to traffic and weather conditions.

# Fuel consumption and CO<sub>2</sub> emissions - Dropside

Please speak to your local Dealer for further information.

FWD Engine	Transmission	CO <sub>2</sub> emissions combined [g/km]	Fuel economy, urban, mpg	Fuel economy, extra-urban, mpg	Fuel economy, combined, mpg
311 CDI L2	6-speed manual	208	30.1	38.7	35.8
	9-speed automatic	216	32.8	34.9	34.4
314 CDI L2	6-speed manual	208	30.1	38.7	35.8
	9-speed automatic	216	32.8	34.9	34.4

RWD Engine	Transmission	Rear axle ratio	CO <sub>2</sub> emissions [g/km]	Fuel economy, urban, mpg	Fuel economy, extra-urban, mpg	Fuel economy, combined, mpg
311 CDI L2	6-speed manual	4,182	214	29.4	38.7	34.9
	7-speed automatic	4,182	215	34	35.8	34.4
311 CDI L3	6-speed manual	4,182	217	29.4	38.2	34
	7-speed automatic	4,182	214	34	35.8	34.4
314 CDI L2	6-speed manual	3,923	204	31.7	39.2	36.2
	7-speed automatic	3,923	211	32.8	36.7	35.3
314 CDI L3	6-speed manual	3,923	207	31.7	38.7	35.8
	7-speed automatic	3,923	211	32.8	36.7	35.3
316 CDI L2	6-speed manual	3,923	198	31.7	39.2	36.2
	7-speed automatic	3,692	194	36.2	39.2	38.2
316 CDI L3	6-speed manual	3,923	198	32.8	40.9	37.2
	7-speed automatic	3,692	203	34.9	37.2	36.2
319 CDI L2	7-speed automatic	3,692	249	26.9	31.7	29.7
319 CDI L3	7-speed automatic	3,692	249	26.9	31.7	29.7
514 CDI L2	6-speed manual	4,727	185	36.2	43.5	40.4
	7-speed automatic	4,182	205	29.7	41.5	36.2
514 CDI L3	6-speed manual	4,727	185	36.2	43.5	40.4
	7-speed automatic	4,182	208	29.4	40.9	35.8
516 CDI L2	6-speed manual	4,182	199	30.7	42.8	37.2
	7-speed automatic	4,182	205	29.7	41.5	36.2
516 CDI L3	6-speed manual	4,182	199	30.7	42.8	37.2
	7-speed automatic	4,182	208	29.4	40.9	35.8
519 CDI L2	7-speed automatic	3,692	249	26.9	31.7	29.7
519 CDI L3	7-speed automatic	3,692	249	26.9	31.7	29.7

The stated values have been determined according to the respective measuring method (according to Regulation (EC) No 715/2007, as amended). Note: The information does not refer to a single vehicle and is not part of the offer, but serves solely for purposes of comparison between the different vehicle types. CO<sub>2</sub> emissions resulting from the production and supply of fuel or other energy sources are not taken into account when CO<sub>2</sub> emissions are determined in accordance with Directive 1999/94 / EC.

# Fuel consumption and CO<sub>2</sub> emissions - Dropside

Please speak to your local Dealer for further information.

AWD Engine	Transmission	Rear axle ratio	CO <sub>2</sub> emissions [g/km]	Fuel economy, urban, mpg	Fuel economy, extra-urban, mpg	Fuel economy, combined, mpg
316CDI L2	6-speed manual	TBC	TBC	TBC	TBC	TBC
	7-speed automatic	TBC	TBC	TBC	TBC	TBC
316CDI L3	6-speed manual	TBC	TBC	TBC	TBC	TBC
	7-speed automatic	TBC	TBC	TBC	TBC	TBC
319CDI L2	7-speed automatic	TBC	TBC	TBC	TBC	TBC
319CDI L3	7-speed automatic	TBC	TBC	TBC	TBC	TBC
516CDI L2	6-speed manual	TBC	TBC	TBC	TBC	TBC
	7-speed automatic	TBC	TBC	TBC	TBC	TBC
516CDI L3	6-speed manual	TBC	TBC	TBC	TBC	TBC
	7-speed automatic	TBC	TBC	TBC	TBC	TBC
519CDI L2	7-speed automatic	TBC	TBC	TBC	TBC	TBC
519CDI L3	7-speed automatic	TBC	TBC	TBC	TBC	TBC

The stated values have been determined according to the respective measuring method (according to Regulation (EC) No 715/2007, as amended). Note: The information does not refer to a single vehicle and is not part of the offer, but serves solely for purposes of comparison between the different vehicle types. CO<sub>2</sub> emissions resulting from the production and supply of fuel or other energy sources are not taken into account when CO<sub>2</sub> emissions are determined in accordance with Directive 1999/94 / EC.

# Equipment - standard and optional overview

Every Sprinter model comes with a host of standard features, plus a range of optional equipment and packages you can add to enhance your van.

Over the next few pages, you'll see an overview of all the equipment and packages using the following key to highlight if they are standard, optional, equipment dependant or unfortunately, not available.

Key: ● Standard ○ Optional ◇ Equipment dependant option available – Not available

Equipment	Description	Option code	FWD	RWD	AWD	Basic Price exc. VAT	Basic Price inc. VAT
<b>Exterior Features</b>							
<b>Axle</b>	<b>Rear axle springs made of glass-fibre-reinforced plastic</b>	C83	○	○	-	£240.00	£288.00
	<b>Front axle with increased load capacity</b>	A50	●	○	-	£260.00	£312.00
<b>Bulkhead</b>	<b>Full-width partition</b>	D50	●	●	●	-	-
	<b>Full-width partition wall at C-pillar</b> Includes: Crew cab floor assy (V40) Half-height load compartment panelling (VA1) Front left window, fixed, in sidewall/sliding door (W16) Front right window fixed in side wall/sliding door (W17) Panelling under roof (V36) High roof (D03) Seats passenger compartment, 2-seater bench 1st row (U60).	D56	-	○	○	£2,840.00	£3,408.00
	<b>Partition wall with sliding door</b> Note: Not available in conjunction with Stowage compartment above roof panelling (FF4) or super-high roof (D05) or paint in vehicle colour (D06). Includes: High roof (D03) + Co-driver's seat (S91). Seat base for front passenger's seat not provided (S99).	D64	○	○	○	£2,125.00	£2,550.00
	<b>Full-width partition wall with 1 window</b>	D51	○	○	○	£85.00	£102.00
	<b>Omission of partition</b>	D93	○	○	○	£0.00	£0.00
	<b>Provision for retro-fitting partition</b>	D62	○	○	○	£0.00	£0.00
	<b>Sliding door left</b>	T19	●	●	●	-	-
<b>Doors</b>	<b>Sliding door right</b>	T16	○	○	○	£565.00	£678.00
	<b>Power closing aid sliding door (left side)</b>	T51	○	○	○	£250.00	£300.00
	<b>Power closing aid sliding door (right side)</b> Includes: Sliding door right side (T16).	T50	○	○	○	£815.00	£978.00
	<b>Electrical operation of sliding door (left side)</b> Includes: Multi-button key (FY7).	T56	-	○	○	£685.00	£822.00

Changes to individual option availability and combinations may occur depending on vehicle specification choices and the continuing evolution and adaptation of our product range.

These changes may not be immediately reflected in this document as they occur, but will be introduced at the next revision opportunity.

# Equipment - standard and optional overview

Equipment	Description	Option code	FWD	RWD	AWD	Basic Price exc. VAT	Basic Price inc. VAT
Doors	<b>Electrical operation of sliding door (right side)</b> Note: Only available for vehicles with rear-wheel drive. Includes: Sliding door right (T16 ) Multi-button key (FY7).	T55	-	○	○	£1,250.00	£1,500.00
	<b>Double-wing rear-end doors, opening to side wall</b> Note: Not available for L1 vehicles.	W54	●	●	●	-	-
	<b>Opening limiter for electrically operated sliding door</b>	T60	-	○	○	£800.00	£960.00
Exhaust	<b>Exhaust straight to chassis rear</b>	K60	○	○	○	£115.00	£138.00
	<b>Exhaust ending laterally behind rear axle</b>	K63	-	○	○	£105.00	£126.00
Fuel Tank	<b>Diesel filler cap in red</b>	K56	○	○	○	£20.00	£24.00
	<b>Lockable AdBlue filler cap</b>	K53	○	○	○	£20.00	£24.00
	<b>50L Fuel tank</b> Note: FWD only.	K11	○	-	-	£0.00	£0.00
	<b>65L Fuel tank</b> Note: FWD only.	K12	●	-	-	-	-
	<b>71L Fuel tank</b> Note: RWD only.	K13	-	●	-	-	-
	<b>92L Fuel tank</b> Note: FWD only.	KB8	○	-	-	£265.00	£318.00
	<b>93L Fuel tank</b>	KB7	-	○	●	£270.00	£324.00
	<b>Fuel filter with water separator</b>	KL5	●	●	●	-	-
Mud flaps	<b>Front mud flaps</b>	P47	○	○	○	£55.00	£66.00
	<b>Rear mud flaps</b>	P48	○	○	○	£55.00	£66.00

● Standard ○ Optional ◇ Equipment dependant option available - Not available

# Equipment - standard and optional overview

Equipment	Description	Option code	FWD	RWD	AWD	Basic Price exc. VAT	Basic Price inc. VAT
Paint	<b>Optional colours, solid or metallic finish</b>						
	<b>For panel van</b>	-	○	○	○	£685.00	£822.00
	<b>Painted bumper</b> Only in conjunction with one of the paints: 7755/9197/9538/9775 And in conjunction with the following: Radiator grille frame in vehicle colour (CN2) Blind Spot Assist (JA7) Parking Package with 360-degree camera (JB6) / Parking Package with reversing camera (JB7).	CM0	○	○	○	£2,870.00	£3,444.00
	<b>Chrome-plated radiator grille</b> Includes: Radiator grille frame in vehicle colour (CN2).	FK3	○	○	○	£205.00	£246.00
	<b>Radiator grille frame in vehicle colour</b>	CN2	○	○	○	£95.00	£114.00
Power Take Off	<b>Engine front power take-off with bracket for additional alternator</b>	N62	-	○	○	£285.00	£342.00
	<b>Engine power take-off at front with carrier for additional refrigerant compressor</b> (RWD only).	N63	-	○	○	£285.00	£342.00
	<b>Constant engine speed control</b> Includes: Parameterizable special module (ED5).	M53	-	○	○	£485.00	£582.00
	<b>Variable electronic engine speed control</b> Includes: Parameterizable special module (ED5).	MT4	○	○	○	£530.00	£636.00
	<b>Power take off counter shaft MB, (2c)</b>	N05	-	○	-	£915.00	£1,098.00
	<b>Power take off counter shaft MB, (2b)</b>	N07	-	○	-	£1,035.00	£1,242.00
	<b>Transmission lock for power take-off</b> Includes: Power take off counter shaft MB, (2c) (N05) or power take off counter shaft MB, (2b) (N07)	N80	-	○	-	£1,150.00	£1,380.00
	<b>Pre-installation for transmission oil cooler</b> Includes: Power take off counter shaft MB, (2c) (N05) or power take off counter shaft MB, (2b) (N07).	GK4	-	○	-	£1,220.00	£1,464.00
Roof	<b>High Roof</b> Note: Standard on panel van L3 and L4.	D03	○	○	○	£1,220.00	£1,464.00

● Standard ○ Optional ◇ Equipment dependant option available – Not available



# Equipment - standard and optional overview

Equipment	Description	Option code	FWD	RWD	AWD	Basic Price exc. VAT	Basic Price inc. VAT
Roof	Super High Roof L3/L4 Panel van - painted in MB 9147 arctic white	D05	○	○	○	£1,550.00	£1,860.00
	Super High Roof L3/L4 panel van - painted in vehicle colour	D06	○	○	○	£2,110.00	£2,532.00
Suspension	Various suspension packages are available, depending on application and variant						
	<b>Stabilisation level I</b> Note: Not available for weight class 4,100 kg with front-wheel drive. Replaces CF2 to CF3 from previous Sprinter.	CB7	●	●	-	-	-
	<b>Stabilisation level II</b> Note: replaces CF4 and CF5 from previous Sprinter.	CB8	○	○	-	£690.00	£828.00
	<b>Stabilisation, level III</b> Note: intended for motorhome conversions.	CB4	○	-	-	£595.00	£714.00
	<b>Air suspension - run-on module 1 h</b> Note: Only available in conjunction with comfort suspension air suspension (CB2).	C1N	-	○	-	£165.00	£198.00
	<b>Air suspension for rescue vehicles</b> Note: Only available in conjunction with comfort suspension air suspension (CB2).	C1R	-	○	-	£90.00	£108.00
	<b>Air suspension - pre-installation for control switch in rear</b> Note: Only available in conjunction with comfort suspension air suspension (CB2).	C1V	-	○	-	£75.00	£90.00
	<b>Air suspension - actuation, speed signal</b> Note: Only available in conjunction with comfort suspension air suspension (CB2).	C2A	-	○	-	£90.00	£108.00
	<b>Air suspension - control switch in rear</b> Note: Only available in conjunction with comfort suspension air suspension (CB2).	C2H	-	○	-	£100.00	£120.00
	<b>Air suspension - control switch in instrument panel</b> Note: Only available in conjunction with comfort suspension air suspension (CB2).	C2I	-	○	-	£120.00	£144.00
	<b>Air suspension - valve for emergency filling</b> Note: Only available in conjunction with comfort suspension air suspension (CB2).	C2V	-	○	-	£115.00	£138.00
<b>Longitudinal member reinforcement</b>	Q11	●	●	●	-	-	
<b>Reinforced shock absorbers</b>	C47	○	○	-	£105.00	£126.00	

● Standard ○ Optional ◇ Equipment dependant option available - Not available

# Equipment - standard and optional overview

Equipment	Description	Option code	FWD	RWD	AWD	Basic Price exc. VAT	Basic Price inc. VAT
Suspension	<b>Deletion, vehicle lowering</b> Note: Only available for vehicles in the weight classes 3,000 kg and 3,500 kg with rear-wheel drive.	CW2	○	○	-	£0.00	£0.00
	<b>Suspension for comfort and cargo protection</b>	CB1	○	○	-	£320.00	£384.00
	<b>Comfort air suspension</b>	CB2	-	○	-	£2,280.00	£2,736.00
	<b>Vibration damper</b>	CT1	-	○	○	£85.00	£102.00
Tyres	<b>Tyres 225/65 R16 C</b>	RN5	●	○	-	£0.00	£0.00
	<b>Tyres 225/75 R16 C</b>	RG8	-	-	●	-	-
	<b>Tyres 235/65 R16 C</b>	RH2	-	●	-	-	-
	<b>Tyres 235/60 R17 C</b>	RH3	-	○	-	£0.00	£0.00
	<b>Continental tyres</b>	RF1	○	○	●	£0.00	£0.00
	<b>Pirelli (50) tyres</b>	RF5	○	○	-	£0.00	£0.00
	<b>Michelin (80) tyres</b>	RF8	○	○	-	£0.00	£0.00
	<b>Goodyear (90) tyres</b>	RF9	○	○	-	£0.00	£0.00
	<b>Mud and slush tyres</b>	RM1	○	○	●	£195.00	£234.00
	<b>All-season tyres</b>	RM0	○	○	-	£100.00	£120.00
	<b>Tyre pressure monitoring systems</b>	RY2	○	○	○	£245.00	£294.00
	<b>Tyres without name of make</b>	RD9	●	●	-	-	-
	<b>Summer tyres</b>	RM7	●	●	-	-	-
	<b>Resistance-optimised tyres</b>	RR0	●	●	-	-	-
Wheels	<b>Steel wheels 6.5 J x 16</b>	RS3	●	●	●	-	-
	<b>Light-alloy wheels 6.5 J x 16</b>	RL5	○	○	○	£650.00	£780.00

● Standard ○ Optional ◇ Equipment dependant option available - Not available

# Equipment - standard and optional overview

Equipment	Description	Option code	FWD	RWD	AWD	Basic Price exc. VAT	Basic Price inc. VAT
Wheels	<b>Light-alloy wheels 6.5 J x 17</b> Includes: Tyres 235/60 R17 C (RH3).	RL7	-	○	-	£715.00	£858.00
	<b>Steel wheels in arctic white</b>	RM2	○	○	○	£60.00	£72.00
	<b>Light-alloy wheels, 6.5 J x 16 in black</b>	RM3	○	-	-	£755.00	£906.00
	<b>Full wheel cover</b>	RD8	○	○	○	£95.00	£114.00
	<b>Spare wheel</b> Not available on 4T vehicles or Tractor heads.	R87	●	●	●	-	-
	<b>Omission of spare wheel</b>	R020	○	-	○	-£55.00	-£66.00
	<b>Spare wheel bracket below frame end</b>	R65	●	●	●	-	-
	<b>Jack</b>	Y36	●	-	-	-	-
	<b>Hydraulic Jack</b>	Y43	-	●	●	-	-
<b>Interior features</b>							
Gearbox	<b>6-speed manual transmission</b>	GE9	●	-	-	-	-
	<b>ECO Gear 360 6-speed manual transmission</b>	GD8	-	●	●	-	-
	<b>7G TRONIC PLUS</b> Note: Available for vehicles with RWD and AWD*. (Inc.. HOLD function (BH1).	G42	-	○	○	£1,520.00	£1,824.00
	<b>9G-TRONIC.</b> Note: FWD only.	GK8	○	-	-	£1,930.00	£2,316.00
Grab Handles	<b>Handle for entrance</b>	T74	○	○	○	£40.00	£48.00
	<b>Grab handles for driver's and co-driver's doors</b>	T75	○	○	●	£65.00	£78.00
	<b>Grab handle, load compartment sliding door at partition</b>	T77	●	●	●	-	-
	<b>Entrance handle on left-hand rear corner pillar</b>	T85	○	○	○	£40.00	£48.00

● Standard ○ Optional ◇ Equipment dependant option available - Not available

# Equipment - standard and optional overview

Equipment	Description	Option code	FWD	RWD	AWD	Basic Price exc. VAT	Basic Price inc. VAT
Grab Handles	Entrance handle on right-hand rear corner pillar	T86	●	●	●	-	-
	Grab handle for inner seat, two-seater	S78	○	○	○	£45.00	£54.00
Heating and Ventilation	<b>Auxiliary heat exchanger at the rear.</b> Includes: Heater booter system (HZ9). Sliding door not provided (T93).	H13	○	○	○	£1,040.00	£1,248.00
	<b>Heating duct to passenger compartment</b>	H00	-	○	○	£55.00	£66.00
	<b>Roof-mounted air conditioning system, reinforced</b>	H08	○	○	○	£3,620.00	£4,344.00
	<b>TEMPMATIC semi-automatic climate control system</b>	HH9	-	○	○	£1,000.00	£1,200.00
	<b>TEMPMATIC semi-automatic climate control system</b> Includes Alternator 14V/230A (M48) FWD only.	HH9	○	-	-	£1,155.00	£1,386.00
	<b>Heater booster system</b>	HZ9	○	○	○	£485.00	£582.00
	<b>Hot-water auxiliary heater</b>	H12	○	○	○	£625.00	£750.00
	<b>Electric hot-air auxiliary heater</b>	HH2	○	○	○	£180.00	£216.00
	<b>THERMOTRONIC automatic climate control system</b> Includes: Rain sensor (JF1).	HH4	○	○	○	£2,105.00	£2,526.00
	<b>Ventilation system with filter</b>	H81	○	○	○	£75.00	£90.00
	<b>Pre-installation for additional heat exchanger</b> Includes: Sliding door (T93) Hot-water auxiliary heater (H12).	H88	○	○	○	£800.00	£960.00
	<b>Roof-mounted climate control system</b> Note: Only available with climate control system and RWD. Includes: Omission partition (D93) Alternator 14 V / 250 A (M60) TEMPMATIC semi-automatic climate control system (HH9).	HH7	○	○	○	£2,720.00	£3,264.00
	<b>Radio remote control for hot-water auxiliary heater</b> Includes: Hot-water auxiliary heater (H12).	HY1	○	○	○	£870.00	£1,044.00
<b>Thermally insulated load/passenger compartment</b>	H01	○	○	○	£295.00	£354.00	

● Standard ○ Optional ◇ Equipment dependant option available - Not available

# Equipment - standard and optional overview

Equipment	Description	Option code	FWD	RWD	AWD	Basic Price exc. VAT	Basic Price inc. VAT
Heating and Ventilation	Auxiliary hot-air heater	H11	-	○	○	£1,295.00	£1,554.00
	Auxiliary heat exchanger at the rear Includes: Deletion of sliding door (T93) Heater booster (HZ9).	H13	○	○	○	£1,040.00	£1,248.00
	Electric roof fan, vents load compartment	H72	○	○	○	£450.00	£540.00
Seating	Armrest for driver's seat	S22	○	○	○	£50.00	£60.00
	Armrest for co-driver's seat	S25	○	○	○	£45.00	£54.00
	Comfort driver's seat	SB1	○	○	○	£110.00	£132.00
	Comfort co-driver's seat	SB2	○	○	○	£110.00	£132.00
	Convenience head restraint, driver's seat	SK0	○	○	○	£60.00	£72.00
	Convenience head restraint, co-driver's seat	SK1	○	○	○	£60.00	£72.00
	Suspension seat, comfort version, driver's seat Note: Only available in conjunction with Driver's seat frame, low (S87).	SB3	○	○	○	£385.00	£462.00
	Suspension seat, comfort version, co-driver's seat Note: Only available in conjunction with Driver's seat frame, low (S87).	SB4	○	○	○	£385.00	£462.00
	Co-driver's double seat	S23	●	●	●	-	-
	Heated seat for driver	H16	○	○	○	£155.00	£186.00
	Seat heating for co-driver Includes: Heated seat for driver (H16).	H15	○	○	○	£310.00	£372.00
	Seat belts orange, driver and co-driver	S62	○	○	○	£35.00	£42.00
	Deletion of co-driver seat, seatbox and seatbelt system	S91, S99, SW1	○	○	○	£0.00	£0.00
	Deletion of passenger compartment seats, if crew cab	S92	-	-	-	-£90.00	-£108.00
	Armrest, driver's and co-driver's door	S28	○	○	○	£35.00	£42.00

● Standard ○ Optional ◇ Equipment dependant option available - Not available

# Equipment - standard and optional overview

Equipment	Description	Option code	FWD	RWD	AWD	Basic Price exc. VAT	Basic Price inc. VAT
Seating	<b>Lumbar support, driver's seat</b> Includes: Comfort driver's seat (SB1).	SE5	○	○	○	£65.00	£78.00
	<b>Lumbar support, co-driver's seat</b> Includes: Comfort co-driver's seat (SB2)	SE4	○	○	○	£175.00	£210.00
	<b>Driver's seat electrically adjustable</b> Includes: Lumbar support, driver's seat (SE5) Fabric Caluma black (VF4) Heated seat for driver (H16).	SF1	○	○	○	£1,155.00	£1,386.00
	<b>Co-driver's seat electrically adjustable.</b> Includes: Seat heating for co-driver (H15) Heated driver's seat electrically adjustable (SF1).	SF2	○	○	○	£2,250.00	£2,700.00
	<b>Driver's seat</b>	S02	●	●	●	-	-
	<b>Adjustable co-driver's seat</b>	S04	○	○	○	£0.00	£0.00
	<b>Comfort head restraints front passenger compartment seats</b>	S31	-	○	○	From £185.00	
	<b>Re-enforced seat base</b>	S86	-	-	-	£105.00	£126.00
	<b>Driver's seat plus</b>	SB9	○	○	○	£25.00	£30.00
Trim	<b>Seat trim upholstery - ARTICO man-made leather, black</b>	VF6	○	○	○	From £55.00 depending on variant	
	<b>Seat trim upholstery - Caluma black fabric</b>	VF4	○	○	○	From £55.00 depending on variant	
	<b>Seat trim upholstery - Maturin black fabric</b>	VF7	●	●	●	-	-
	<b>Luxury interior panelling.</b> Includes: Stowage compartment with net in rear doors (VA7) Windows in liftgate/hinged rear-end doors (W61).	V21	-	○	○	£750.00	£900.00

● Standard ○ Optional ◇ Equipment dependant option available - Not available

# Equipment - standard and optional overview

Equipment	Description	Option code	FWD	RWD	AWD	Basic Price exc. VAT	Basic Price inc. VAT
Trim	<b>Window pillar panelling</b> Includes: Back pane heatable (H22) Roof-mounted air conditioning system, basic (HH7) Air conditioning, semi-automatically controlled, TEMPMATIC (HH9) Alternator 14 V / 250 A (M60) Range of parts, roof lining for bodybuilders (V08) Panelling in load compartment up to belt rail standard (VA1) Stowage compartment with net in rear doors (VA7) Window front left, fixed, in sidewall/sliding door (W16) Front right window fixed in side wall/sliding door (W17) Fixed window at rear right (W28) Fixed window, rear left (W27) Window in tailgate/rear door with wipe/wash system (W78).	V31	-	○	○	From £4,980.00	
Steering Wheel	<b>Steering wheel adjustable for height and tilt</b>	CL1	●	●	●	-	-
	<b>Leather steering wheel and leather gearshift lever</b>	CL2	○	○	○	£200.00	£240.00
	<b>Multifunction steering wheel</b>	C6L	●	●	●	-	-
	<b>Leather steering wheel</b> Note: For automatics only Includes: 7G-TRONIC PLUS (G42) HOLD function (BH1).	CL3	○	○	○	£1,675.00	£2,010.00
Storage	<b>Hinged lid for centre stowage compartment</b>	FJ1	●	●	●	-	-
	<b>Stowage compartment underneath cockpit</b>	FJ4	●	●	●	-	-
	<b>Stowage net on driver's seat backrest</b>	SZ7	○	○	○	£45.00	£54.00
	<b>Stowage net on co-driver's seat backrest</b>	SZ8	○	○	○	£45.00	£54.00
	<b>Multifunction box on two-seater, stowable.</b> Only in conjunction with: Co-driver's double seat (S23).	Y2A	○	○	○	£90.00	£108.00
	<b>Hinged lid for stowage compartments left and right</b>	FJ5	○	○	○	£95.00	£114.00
	<b>Shelf above windscreen</b>	FF5	●	●	●	-	-

● Standard ○ Optional ◇ Equipment dependant option available - Not available

# Equipment - standard and optional overview

Equipment	Description	Option code	FWD	RWD	AWD	Basic Price exc. VAT	Basic Price inc. VAT
Storage	Mounting rails for roof rack	D13	○	○	○	£170.00	£204.00
	Stowage compartment above roof panelling Note: Only available for the Sprinter panel van with high roof (D03) or super-high roof (D05) and paint in vehicle colour (D06).	FF4	○	○	○	£150.00	£180.00
	Internal roof rack (50 kg capacity)	D17	○	○	○	£440.00	£528.00
	Pre-installation for switch panel	E3J	●	●	●	-	-
	Coat hook in cab	F1K	○	○	○	£20.00	£24.00
	Omission of stowage compartment under cockpit	F3W	-	○	○	£0.00	£0.00
	Cup holder in passenger compartment	FF3	-	○	○	£75.00	£90.00
	Single-size slot at front under roof liner	FF8	○	○	○	£65.00	£78.00
	4 x Cup holders front	FG8	○	○	○	£0.00	£0.00
	Omission of shelf above windscreen	FW6	-	○	○	£0.00	£0.00
<b>Technology Software and Electrics</b>							
Alternators	Alternator 14 V / 175 A	-	●	-	-	-	-
	Alternator 14 V / 180 A	M49	-	●	●	-	-
	Alternator 14 V / 200 A	M40	-	○	○	£0.00	£0.00
	Alternator 14 V/230 A	M48	○	-	-	£460.00	£552.00
	Alternator 14 V/250 A	M60	-	○	○	£460.00	£552.00
Audio Entertainment	Digital Radio (DAB)	E1D	●	●	●	-	-
	MBUX multimedia system with 7-inch touch screen The MBUX multimedia system with 17.8 cm (7-inch) touchscreen boasts intuitive touchscreen operation, a high-resolution touchscreen and a wealth of communication and infotainment features.	E3M	●	●	●	-	-

● Standard ○ Optional ◇ Equipment dependant option available - Not available



# Equipment - standard and optional overview

Equipment	Description	Option code	FWD	RWD	AWD	Basic Price exc. VAT	Basic Price inc. VAT
Audio Entertainment	<b>MBUX multimedia system with 10.25-inch touch screen</b> Features of the MBUX multimedia system with high-resolution 26 cm (10.25-inch) touchscreen include fast hard-disc navigation with 3-D map display and smartphone integration.	E4M	○	○	○	£1,810.00	£2,172.00
	<b>Communication module (LTE) for digital services</b> Transfers data particularly rapidly and reliably with its permanently installed SIM card, creating the technical conditions for using the Mercedes PRO connect services.	JH3	●	●	●	-	-
Battery	<b>Auxilliary battery retrofit consumers vehicle interior</b> Includes: Cut-off relay for auxiliary battery (E36).	E2I	○	○	○	£325.00	£390.00
	<b>Auxiliary battery for retrofit consumer's engine compartment</b>	E2M	-	○	○	£235.00	£282.00
	<b>Battery master switch, single-pin</b>	E30	○	○	○	£105.00	£126.00
	<b>Cut-off relay for auxiliary battery</b>	E36	○	○	○	£95.00	£114.00
	<b>AGM battery (12 V 70 Ah)</b>	ED1	○	○	○	£0.00	£0.00
	<b>Heavy-duty battery (12 V 92 Ah)</b>	ED4	●	●	●	£0.00	£0.00
	<b>Jump start contact</b>	ES0	●	●	●	£0.00	£0.00
	<b>Engine run-on system</b> (Note exemption may be required).	MW1	○	○	○	£810.00	£972.00
Electronics	<b>12 V socket in the boot/load compartment</b>	ES2	○	○	○	£50.00	£60.00
	<b>Plug socket in cab</b>	E46	○	○	○	£45.00	£54.00
	<b>Tray for smartphones</b> Includes: Wireless charging.	E1B	○	○	○	£1,140.00	£1,368.00
	<b>Smartphone cradle</b>	E1I	○	○	○	£70.00	£84.00
	<b>USB-C socket, 5 V</b>	E1U	●	●	●	-	-
	<b>Pre-wiring for parameterizable special module (PSM)</b>	ED8	●	●	-	£0.00	£0.00
	<b>Parameterizable special module</b>	ED5	○	○	●	£285.00	£342.00

● Standard ○ Optional ◇ Equipment dependant option available - Not available

# Equipment - standard and optional overview

Equipment	Description	Option code	FWD	RWD	AWD	Basic Price exc. VAT	Basic Price inc. VAT
Electronics	Extension of Programmable System Module (PSM) standard contact (Additional connection options for body manufacturers).	E5M	○	○	○	£60.00	£72.00
	Terminal strip for electrical connection	EK1	●	●	●	-	-
	Charging package, dashboard (Two 5v USB-C sockets and 12v socket)	ES5	○	○	○	£65.00	£78.00
	Pre-installation for 3-way tipper	P57	-	-	-	£950.00	£1,140.00
Keys	2 additional master keys	FZ9	○	○	○	£110.00	£132.00
	Multi-button key	FY7	○	○	○	£30.00	£36.00
Tachograph	Omission tachograph Includes: Linear speed limiter 90 km/h EG (MD4) Qualification N2 (Z2N) Weight variant 3,550 kg (XG4) Lane Keeping Assist (JW5).	J92	○	○	○	£0.00	£0.00
	EU Intelligent Tachograph pre-installation kit	JV6	○	○	○	£275.00	£330.00
	EU Intelligent Tachograph Std over 3.5 t	JD6	○	○	○	£735.00	£882.00
	Tachograph 1 day/2 drivers, automatic (EC)	J19	○	○	○	£690.00	£828.00
	Tachograph control under dashboard, co-driver side	J2B	○	○	○	£0.00	£0.00
	Controls for tachograph at front under roof liner standard over 3.5 t Note: Only in conjunction with Tachograph pre-installation kit (JV6).	H1B	●	●	●	£275.00	£330.00
<b>Drivers Assistance and Safety Equipment</b>							
Airbags	Airbag driver seat	SA5	●	●	●	-	-
	Airbag co-drivers seat Includes: Seatbelt reminder for co-drivers seat.	SA6	○	○	○	£415.00	£498.00

● Standard ○ Optional ◇ Equipment dependant option available - Not available

# Equipment - standard and optional overview

Equipment	Description	Option code	FWD	RWD	AWD	Basic Price exc. VAT	Basic Price inc. VAT
Airbags	<b>Thorax/pelvis/side airbag for driver</b> Includes: Front airbag co-driver (SA6) Seat belt reminder (J55).	SH1	○	○	○	£755.00	£906.00
	<b>Thorax/pelvis/side airbag for co-driver</b> Includes: Thorax/pelvis/side airbag for driver (SH1) Front airbag co-driver (SA6) Seat belt reminder (J55).	SH2	○	○	○	£990.00	£1,188.00
	<b>Window airbags for driver and co-driver</b>	SH9	○	○	○	£575.00	£690.00
Brakes	<b>Active Brake Assist</b> Active Brake Assist can help to prevent accidents with vehicles ahead and crossing pedestrians or to mitigate their consequences.	BA3	●	●	●	-	-
	<b>Adaptive brake light</b>	LE1	●	●	●	-	-
	<b>Hill-Start Assist</b>	E07	●	●	●	-	-
	<b>HOLD function (Braking assistance on downhill stretches and at a traffic light stop)</b> Only in conjunction with: G42 or GK8.	BH1	○	○	○	£0.00	£0.00
	<b>Folding handbrake lever</b>	BE2	○	○	○	£55.00	£66.00
	<b>Electrical parking brake</b>	B25	○	○	○	£270.00	£324.00
	<b>Wheel chock</b> Note: Standard on over 3.5 t.	Y26	○	○	○	£45.00	£54.00
Drivers Assistance	<b>Comfort overhead control panel</b> LED interior lighting including cab downlighting and co-/driver reading lamps; also includes a convenient spectacles compartment.	LC4	●	●	●	-	-
	<b>Cruise control</b> Includes speed limiter function. Operated via a lever ergonomically positioned on the left of the steering column.	MS1	●	●	●	-	-

● Standard ○ Optional ◇ Equipment dependant option available - Not available

## Equipment - standard and optional overview

Equipment	Description	Option code	FWD	RWD	AWD	Basic Price exc. VAT	Basic Price inc. VAT
Drivers Assistance	<b>ATTENTION ASSIST</b> The ATTENTION ASSIST drowsiness detection system can recognise early signs of fatigue on long routes and night-time drives, and prompt the driver to take a break from driving.	JW8	●	●	●	-	-
	<b>Crosswind Assist</b> Crosswind Assist detects track offset caused by strong crosswind gusts in due time and helps the driver to stay in lane.	JA8	●	●	●	-	-
	<b>Blind Spot Assist</b> Includes: Electrically foldable exterior mirrors (F64) Exterior mirror heated and electrically adjustable (F68) Blind Spot Assist can help prevent accidents when changing lanes, for example on the motorway.	JA7	○	○	○	£640.00	£768.00
	<b>Traffic Sign Assist</b> Includes: 3 years of free map updates (EX9) Digital Owner's Manual (XO5) Instrument cluster with colour display (JK5) Navigation (E1E) Live Traffic capability (E1G).	JA9	○	○	○	£1,105.00	£1,326.00
	<b>Lane Keeping Assist</b> Lane Keeping Assist can help prevent accidents caused by unintentional lane departures with visual, audible and tactile signals.	JW5	○	○	○	£340.00	£408.00
	<b>Active Lane Keeping Assist</b> Active Lane Keeping Assist can help to detect when the vehicle is unintentionally departing its lane, warn the driver and, if necessary, actively help to return the vehicle to its lane by means of braking interventions.	JB4	○	○	○	£410.00	£492.00
	<b>Active Distance Assist DISTRONIC</b> Includes: Leather steering wheel (CL3 ) Instrument cluster with colour display (JK5) 7G-TRONIC PLUS (G42) HOLD function (BH1).	ET4	○	○	-	£2,610.00	£3,132.00
	<b>Rain sensor</b> The rain sensor automatically regulates the wiping frequency of the windscreen wipers with activated intermittent wiping, which makes things easier for the driver.	JF1	○	○	○	£105.00	£126.00

● Standard ○ Optional ◇ Equipment dependant option available – Not available

## Equipment - standard and optional overview

Equipment	Description	Option code	FWD	RWD	AWD	Basic Price exc. VAT	Basic Price inc. VAT
Drivers Assistance	<b>WET WIPER system</b> The WET WIPER SYSTEM windscreen wiper system offers the driver an improved view already during the wiping process. Includes: Rain sensor (JF1).	FM3	○	○	○	£105.00	£126.00
	<b>Smoker package (Closable ashtray with cigarette lighter)</b>	V85	○	○	○	£40.00	£48.00
	<b>First aid kit</b>	Y10	○	○	○	£0.00	£0.00
	<b>Fire extinguisher</b>	Y16	○	○	○	£105.00	£126.00
	<b>Warning triangle</b>	Y44	○	○	○	£0.00	£0.00
Parking	<b>Parking package with 360-degree camera</b> Provides comprehensive support when parking and manoeuvring, thereby enhancing safety and comfort. Includes: Electrically foldable exterior mirrors (F64) + Exterior mirror heated and electrically adjustable (F68).	JB6	○	○	○	£1,445.00	£1,734.00
	<b>Parking package with reversing camera</b> The Parking Package with reversing camera and integral Parking Assist comprehensively relieves the driver with a better overview to the rear when parking and manoeuvring.	JB7	○	○	○	£905.00	£1,086.00
	<b>Reversing camera</b>	FR8	○	○	○	£455.00	£546.00
	<b>Reversing warning device includes Switch-off (JW3)</b>	JW0	○	○	○	£210.00	£252.00
Road Speed Limiters	<b>Linear speed limiter 90 km/h</b>	MD5	○	○	○	£70.00	£84.00
	<b>Linear speed limiter 100 km/h</b>	MD3	○	○	○	£70.00	£84.00
	<b>Linear speed limiter 120 km/h</b>	MD4	○	○	○	£70.00	£84.00
	<b>Speed limiter, 110 km/h</b>	MK0	○	○	○	£130.00	£156.00
	<b>Speed limiter, 130 km/h</b>	MK2	○	○	○	£130.00	£156.00
Safety	<b>Mercedes-Benz emergency call system</b>	EY5	●	●	●	-	-
	<b>Breakdown management</b>	EY6	●	●	●	-	-

● Standard ○ Optional ◇ Equipment dependant option available – Not available

## Equipment - standard and optional overview

Equipment	Description	Option code	FWD	RWD	AWD	Basic Price exc. VAT	Basic Price inc. VAT
Safety	<b>Navigation</b> Includes: 3 years of free map updates (EX9) + Digital Owner's Manual (XO5) + Live Traffic capability (E1G).	E1E	○	○	○	£690.00	£828.00
	<b>Live Traffic capability</b> Note: Only available in conjunction with navigation.	E1G	○	○	○	£0.00	£0.00
	<b>ECO start/stop function</b> Note: Not available in conjunction with AWD or 314 RWD Chassis Includes: Alternator 14 V/200 A (M40) on RWD.	MJ8	●	●	-	£270.00	£324.00
	<b>Seat belt reminder for co-driver seat</b>	J55	○	○	○	£95.00	£114.00
	<b>Seat belt warning for driver's seat</b>	J58	●	●	●	-	-
	<b>Outside temperature indicator</b>	J65	●	●	●	-	-
	<b>Deactivation of bulb failure indicator</b>	JW2	○	○	○	£0.00	£0.00
	<b>Incorrect fuelling protection system</b>	K51	○	○	○	£50.00	£60.00
Security	<b>Anti-theft protection package</b> Alarm protection for vehicle and cargo.	FY1	●	●	●	-	-
	<b>Double locks</b>	FY2	●	●	●	-	-
	<b>VIN visible from outside</b>	XC8	●	●	●	-	-
<b>Lighting</b>							
Lighting	<b>Extra indicator lamps, flat, on the roof at the rear</b>	LB3	○	○	○	£115.00	£138.00
	<b>LED high performance headlamps</b> Includes: Tail lamps with partial LED technology (L22).	LG7	○	○	-	£1,470.00	£1,764.00
	<b>Fog lamps with cornering light function</b>	L13	○	○	○	£200.00	£240.00
	<b>Highbeam Assist</b> Highbeam Assist automatically switches the main beams on and off in line with the traffic situation and thereby relieves the driver of manually switching back and forth between main beams and dipped beams.	LA1	○	○	○	£265.00	£318.00

● Standard ○ Optional ◇ Equipment dependant option available - Not available

# Equipment - standard and optional overview

Equipment	Description	Option code	FWD	RWD	AWD	Basic Price exc. VAT	Basic Price inc. VAT
Lighting	<b>Courtesy lights</b> The exit lights at the front doors and sliding doors improve comfort and safety when getting in and out – both for driver and co-driver as well as for the passengers in the passenger compartment.	LB9	○	○	○	£70.00	£84.00
	<b>Tail lamps with partial LED technology</b> Note: Only available as part of the LED High Performance headlamps (LG7).	L22	○	○	-	£1,470.00	£1,764.00
	<b>Headlight assistant</b> The automatic headlamps automatically switch the dipped beams on and off depending on the current light conditions, which increases the driving comfort for the driver, and the road safety.	LA2	●	●	●	-	-
	<b>LED light strip in load compartment</b>	LC2	○	○	○	£250.00	£300.00
	<b>Direction indicators on the front wings</b> Includes: Exterior mirrors without indicators (FU5).	L44	○	○	●	£95.00	£114.00
	<b>Load compartment lighting with motion sensor</b>	L71	○	○	○	£85.00	£102.00
	<b>Tail light wiring harness, extended</b>	L76	-	-	-	£75.00	£90.00
	<b>Lights for left hand traffic</b>	L10	●	●	●	-	-
	<b>Interior courtesy light door operated</b>	L65	●	●	●	-	-
	<b>Omission parking lamp</b>	L94	○	○	○	£0.00	£0.00
	<b>Side marker lights</b> Note: Standard on L2 upwards.	LB1	-	●	●	£0.00	£0.00
	<b>Preparation for side marker lights</b>	LB2	-	-	-	£0.00	£0.00
	<b>3rd brake light</b>	LB5	●	●	●	-	-
<b>Loading and Towing</b>							
Gross Vehicle Weight (GVW)	<b>Weight variant 2,800 kg</b> XG6 is available as a downrated payload variant for vehicles of the weight classes 3,000 kg and 3,500 kg with front-wheel drive.	XG6	○	-	-	£0.00	£0.00
	<b>Weight variant 3,500 kg</b> Weight variant X16 is available as a downrated payload variant for vehicles of the weight class 5,000 kg with rear-wheel drive.	X16	-	○	○	£0.00	£0.00

● Standard ○ Optional ◇ Equipment dependant option available – Not available

# Equipment - standard and optional overview

Equipment	Description	Option code	FWD	RWD	AWD	Basic Price exc. VAT	Basic Price inc. VAT
Gross Vehicle Weight (GVW)	<b>Weight variant 3,550 kg</b> XG4 is available as a uprated payload variant for vehicles of the weight class 3,500 kg with front or rear-wheel drive.	XG4	○	○	○	£0.00	£0.00
	<b>Higher weight 3,880 kg</b> XL8 is available as a downrated payload variant for vehicles of the weight class 4,100 kg with front or rear-wheel drive.	XL8	○	○	○	£0.00	£0.00
	<b>Weight variant 4,100 kg</b> Note: Standard on 4 series.	XL2	○	○	○	£0.00	£0.00
	<b>Weight variant 4,250 kg</b> Weight variant XG5 is available as a downrated payload variant for vehicles of the weight class 5,000 kg with rear-wheel drive.	XG5	-	○	○	£0.00	£0.00
	<b>Weight variant 5,030 kg</b> XL6 is available as a uprated payload variant for vehicles of the weight class 5,000 kg with rear-wheel drive.	XL6	-	○	○	£0.00	£0.00
	<b>Weight variant 5,500 kg</b> The speed is limited to 90 km/h, trailer operations are only possible in conjunction with the optional retarder. Includes: Make of tyres - Continental (RF1) Tyres 205/75 R16 C (RG3) Make of tyres as optional extra (RM9) Front axle with upgraded axle load (A50).	XL4	-	○	○	£1,630.00	£1,956.00
Load Area	<b>Half height load compartment panelling</b>	V25	○	○	○	£165.00	£198.00
	<b>Load space interior trim up to roof (wood)</b>	VA2	○	○	○	£295.00	£354.00
	<b>Wood flooring</b>	V43	●	●	●	-	-
	<b>Omission wooden floor</b>	V010	○	○	○	£0.00	£0.00
	<b>Cable duct on side wall</b>	V94	○	○	○	£30.00	£36.00
	<b>Cable duct on rear portal</b>	V95	○	○	○	£30.00	£36.00
	<b>Load space interior trim up to roof (plastic)</b>	VA3	○	○	○	£295.00	£354.00
	<b>Aluminium protective entrance strip for floor covering</b>	VC5	○	○	○	£640.00	£768.00

● Standard ○ Optional ◇ Equipment dependant option available - Not available



# Equipment - standard and optional overview

Equipment	Description	Option code	FWD	RWD	AWD	Basic Price exc. VAT	Basic Price inc. VAT
Load Area	<b>Half-height load compartment panelling</b> Includes: Stowage compartment with net in rear doors (VA7) Windows in liftgate/hinged rear-end doors (W61).	VA1	-	○	○	£750.00	£900.00
	<b>Plastic floor covering</b>	VK8	○	○	○	£455.00	£546.00
Load Securing	<b>Load securing rails (2) fitted to floor L3 length of vehicle</b> Note: compatible cargo straps available from the Mercedes-Benz Accessory range.						
	For L1 panel van	VV2	○	○	-	£180.00	£216.00
	For L2 panel van	VV2	○	○	○	£200.00	£240.00
	For L3 panel van	VV2	-	○	○	£230.00	£276.00
	For L4 panel van	VV2	-	○	○	£270.00	£324.00
	<b>Load-securing rails fitted at roof height inside load space</b> Note: compatible cargo straps available from the Mercedes-Benz Accessory range.						
	For L1 panel van	VC4	○	○	-	£180.00	£216.00
	For L2 panel van	VC4	○	○	○	£200.00	£240.00
	For L3 panel van	VC4	-	○	○	£230.00	£276.00
	For L4 panel van	VC4	-	○	○	£270.00	£324.00
	<b>Load-securing rails fitted at waist height inside load space</b> Note: compatible cargo straps available from the Mercedes-Benz Accessory range. Rail not fitted to side load door.						
	For L1 van	V42	○	○	-	£180.00	£216.00
	For L2 van	V42	○	○	○	£200.00	£240.00
	For L3 van	V42	-	○	○	£240.00	£288.00
	For L4 van	V42	-	○	○	£270.00	£324.00
	Pallet support in sliding door step	V24	-	○	○	£95.00	£114.00
	Weight supporting wheel arch	V52	○	○	○	£355.00	£426.00

● Standard ○ Optional ◇ Equipment dependant option available - Not available

# Equipment - standard and optional overview

Equipment	Description	Option code	FWD	RWD	AWD	Basic Price exc. VAT	Basic Price inc. VAT
Load Securing	Anchoring rail on either side wall, below the roof frame	VC4	○	○	○	£470.00	£564.00
	Load securing rail system	VV2	○	○	○	£200.00	£240.00
Load Steps	Rear door step	W73	○	○	○	£120.00	£144.00
	Step, wide, at rear end	W75	○	○	○	£295.00	£354.00
	Rear step sprung	W76	○	○	○	£500.00	£600.00
	Cross member with integrated step	QA9	-	○	○	£335.00	£402.00
Towing Equipment	<b>Pre-installation for vehicle towing capacity up to 3,500 kg</b> Includes: Electrical components for trailer socket (E57) Axle ratio i = 4,727 (AR5).	QA3	-	○	-	£300.00	£360.00
	<b>Trailer coupling for increased towing capacity 2.8 t/3.0 t</b> Includes: Electrical components for trailer socket (E57) Axle ratio i = 4,182 (AR3).	QA8	-	○	○	£565.00	£678.00
	Trailer coupling with fixed tow ball	Q22	○	○	○	£335.00	£402.00
	Removable tow ball trailer coupling	Q50	○	○	○	£380.00	£456.00
	Electrical components for trailer socket	E57	○	○	○	£105.00	£126.00
	<b>Trailer coupling for increased towing capacity of 3.5 t</b> Includes: Electrical components for trailer socket (E57) Axle ratio i = 4,727 (AR5) + 7G-TRONIC PLUS (G42).	QA7	-	○	-	£635.00	£762.00
	<b>Gross Combination Weight up to max. 8.0 t</b> Note: Only available in conjunction with OM642 DE 30 LA v6 engine for vehicles with 5,000 kg or 5,500 kg gross vehicle weight rating.	XP6	-	○	-	£0.00	£0.00
	<b>Gross Combination Weight up to max. 8.75 t</b>	XP7	○	○	-	£0.00	£0.00
	Trailer socket, 13-pin	E43	○	○	○	£140.00	£168.00
<b>Pre-installation for vehicle towing capacity up to 2,800 kg</b> Includes: Electrical components for trailer socket (E57) Axle ratio i = 4,182 (AR3).	QA5	-	○	○	£155.00	£186.00	

● Standard ○ Optional ◇ Equipment dependant option available - Not available

# Equipment - standard and optional overview

Equipment	Description	Option code	FWD	RWD	AWD	Basic Price exc. VAT	Basic Price inc. VAT
Towing Equipment	Crossmember for trailer coupling	Q10	○	○	○	£230.00	£276.00
	Towing eye rear	Q67	○	○	○	£15.00	£18.00
	Trailer coupling with mouth 243/U 115	Q20	-	○	○	£490.00	£588.00
	Trailer coupling, 2.8 t trailer load, bolted	QA0	-	○	○	£1,015.00	£1,218.00
<b>Mirrors and Windows</b>							
Mirrors	<b>Exerior mirrors without indicators</b> Includes: Direction indicators on the side at the front (L44).	FU5	○	○	●	£95.00	£114.00
	Heated and power-adjustable side mirrors	F68	○	○	○	£170.00	£204.00
	Rear-view mirror	F61	○	○	○	£0.00	£0.00
	Electrically foldable exterior mirrors Includes side mirrors, heated and power-adjustable (F68).	F64	○	○	○	£220.00	£264.00
	Omission of extended mirror bracket	FA70	-	-	-	£0.00	£0.00
Windows	<b>Windscreen, heated</b> Includes: Air conditioning, semi-automatically controlled, TEMPATIC (HH9).	F49	○	○	○	£1,330.00	£1,596.00
	<b>Fixed window at centre left</b> Note: Only available for Tourer and panel vehicles with L3 and L4. Includes: Fixed window, rear left (W27).	W22	○	○	○	£120.00	£144.00
	<b>Fixed window, rear left</b> Includes: Fixed window at centre left (W22).	W27	○	○	○	£120.00	£144.00
	<b>Window front left, fixed, in sidewall/sliding door</b>	W16	○	○	○	£120.00	£144.00
	<b>Fixed window, centre right</b> Note: Only available for the Sprinter Tourer and panel van with L3 and L4 Includes: Fixed window at rear right (W28).	W23	-	○	○	£120.00	£144.00
	<b>Sliding window centre left</b> Note: Only available for Tourer and panel van with L3 wheelbase (4,325 mm).	W24	○	○	○	£215.00	£258.00
	<b>Sliding window centre right</b> Note: Only available for panel van with L3 and L4.	W25	-	-	-	£215.00	£258.00

● Standard ○ Optional ◇ Equipment dependant option available - Not available

# Equipment - standard and optional overview

Equipment	Description	Option code	FWD	RWD	AWD	Basic Price exc. VAT	Basic Price inc. VAT	
Windows	Fixed window at rear right	W28	○	○	○	£120.00	£144.00	
	Window fixed rear on the roof	D22	○	○	○	£470.00	£564.00	
	Front right window fixed in side wall/sliding door	W17	○	○	○	£120.00	£144.00	
	<b>Window in liftgate/rear-end door with wiper/washer</b> Includes: Stowage compartment with net in rear doors (VA7) Cable duct on rear portal (V95) Back pane heatable (H22) Cable duct on side wall (V94).	W78	○	○	○	£650.00	£780.00	
	<b>Back pane heatable</b> Includes: Windows in liftgate/hinged rear-end doors (W61) Stowage compartment with net in rear doors (VA7).	H22	○	○	○	£495.00	£594.00	
	<b>Windows in liftgate/hinged rear-end doors</b> Includes: Stowage compartment with net in rear doors (VA7).	W61	○	○	○	£365.00	£438.00	
	Sliding window in front left side wall/sliding door	W18	○	○	○	£240.00	£288.00	
	Sliding window in front right side wall/sliding door	W19	○	○	○	£240.00	£288.00	
	Heat-insulating glass with filter band on windscreen	H21	●	●	●	-	-	
	<b>Privacy glass tint in all windows fitted from B pillar backwards</b> Not available for L1 models.							
	<b>For L3 / L4 Van and L2/L3 crewcab</b> Includes: Front right window fixed in side wall/sliding door (W17).	W70	○	○	○	£120.00	£144.00	
	<b>For L2 variants only</b> Includes: Front right window fixed in side wall/sliding door (W17).	W70	○	○	○	£120.00	£144.00	
<b>Van with all-round panorama glazing</b>	W02	-	○	○	£1,180.00	£1,416.00		

● Standard ○ Optional ◇ Equipment dependant option available – Not available

# Keeping Businesses Moving.

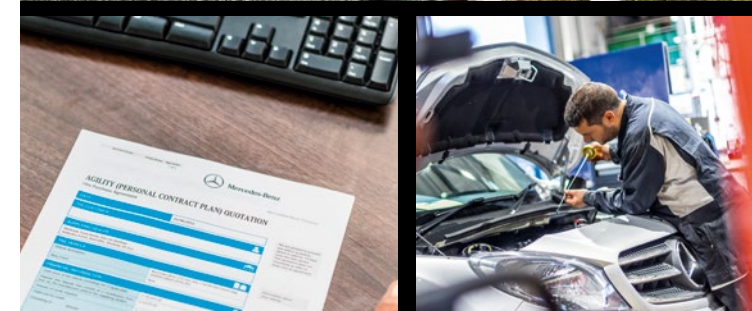
We don't just supply vans – we'll partner with you to deliver outstanding support and services to keep your vans on the road and your business moving.

- **Thousands of vehicle types** – Citan, Vito and Sprinter vehicles are available in a range of height and length options and provide the ideal platform for bespoke conversions, because every business requirement is unique. Find out more at [www.mercedes-benz.co.uk/vans/en](http://www.mercedes-benz.co.uk/vans/en)
- **Free 24/7 roadside assistance\*** – every single Mercedes-Benz Van comes with a lifetime promise to keep you moving, no matter what: MobiloVan – free dedicated roadside assistance, across Europe, for up to 30 years\*. Find out more at [www.mbvans.co.uk/mobilovan](http://www.mbvans.co.uk/mobilovan)
- **Mercedes-Benz Finance** – we offer a range of flexible finance products to suit your business needs and keep your cash flow moving. Find out more at [www.mbvans.co.uk/financeoffers](http://www.mbvans.co.uk/financeoffers)
- **Affordable servicing plans** – we keep your working day moving. Over a third of our Dealer Network works through the night to service and maintain our customers' vans, so they're out on the road during the day, earning their keep. Because you don't stop, we don't either. We offer a range of servicing options to suit every business, every fleet, every van. Find out more at [www.mbvans.co.uk/servicing](http://www.mbvans.co.uk/servicing)
- **3-year unlimited mileage warranty** – all vehicles purchased from an authorised Mercedes-Benz Vans Dealer, if originally destined for the UK, receive our UK warranty. Find out more at [www.mbvans.co.uk/warranties](http://www.mbvans.co.uk/warranties)
- **Mercedes-Benz Insurance** – superb cover comes as standard including 7-day complimentary cover†, and there are a range of Mercedes-Benz products after that to provide you with peace of mind. Find out more at [www.mbvans.co.uk/insurance](http://www.mbvans.co.uk/insurance)

\*Renewed at each service if serviced by MB according to service intervals. For a full list of exclusions and all product terms please visit [mbvans.co.uk/mobilovan](http://mbvans.co.uk/mobilovan)

†Available on single vehicle policies only and applicable on Vehicles up to 3.5t only. For full terms and conditions, please consult your local Dealer. Mercedes-Benz Van Insurance is a trading name of Daimler Insurance Services UK Limited.

› Locate a Dealer for more information, visit:  
<https://www.mercedes-benz.co.uk/vans/en/content-pool/apps/dealer-locator>  
or book a test drive: <https://forms.mercedes-benz.co.uk/vansbrochuretestdrive>



**Please note:** changes may have been made to the product since this brochure went to press (March 2020). The manufacturer reserves the right to make changes to the design, form, colour or specification during the delivery period, provided these changes, while taking into account the interests of the vendor, can be deemed reasonable with respect to the purchaser. Where the vendor or manufacturer uses symbols or numbers to describe an order or the subject of an order, no rights may be derived solely from these. The illustrations and descriptions may include accessories and items of optional equipment which are not part of standard specification. Colours may differ slightly from those shown in the brochure, owing to the limitations of the printing process. This brochure may also contain models and services which are not available in certain countries.

Storage of technical data in the vehicle: electronic vehicle components (e.g. airbag control unit, engine control unit etc.) incorporate data memory for technical vehicle data, such as alerts in the event of malfunction, vehicle speed, braking force or functionality of restraint and driving assistance systems in the event of an accident (audio and video data are not saved). These data are saved only fleetingly as a snapshot in time, e.g. in the event of a malfunction report; for a very short period of time (a few seconds at most), e.g. in the event of an accident; or in aggregated form, e.g. in order to assess component wear and tear. The saved data can be retrieved via interfaces within the vehicle. They may be processed and used by trained vehicle technicians as a means of diagnosing and addressing possible malfunctions, or by the manufacturer for analysis purposes and as a means of improving vehicle functions further.

If so requested by the customer, data may also provide the basis for further optional services. Transfer of the data from the vehicle to the manufacturer or third parties is only possible with appropriate legal authorisation (e.g. vehicle emergency call) or based on a contractual agreement with the customer and within the framework of data protection laws. Further information relating to the storage of data in the vehicle is provided in the Owner's Manual, a printed copy of which may be found in the vehicle, or online at the national Mercedes-Benz website.

**Take-back of end-of-life vehicles.** You can return your Sprinter to us for environment-friendly recycling in accordance with the European Union (EU) End-Of-Life Vehicles Directive. But that day lies a long way off. A network of vehicle take-back depots and dismantlers has been established to make it as easy as possible for you to return your vehicle. You can leave it at any of these points free of charge and, by so doing, make an important contribution to completing the recycling process and conserving resources. For further information about the recycling and disposal of end-of-life vehicles, and the take-back conditions, please visit your national Mercedes-Benz website.