



## The Mercedes-Benz Vito.

Panel and Crew Van models.

Prices effective from June 2020.

Mercedes-Benz





## Contents

> Model overview	3
> Mercedes PRO connect	4
> Trims	
Vito PROGRESSIVE	5
Vito PREMIUM	6
Vito SPORT	7
> Colours and Upholstery	8
> Wheels	9
> Upgrades - including the PLUS package	10
> Equipment	11
> Engine and gearbox	21
> Fuel consumption	22
> Weights and payloads	23
> Dimensions	24
> List prices	30
> Approved Used	31
> Finance options	32
> After care	33

### Please note

This document provides information about the model range line-up and specifications of the Vito. It also contains key details about options, economy and performance of all variants. Details are correct at time of publication and are subject to revision. Any images used in this document may not reflect UK specification and are for illustrative purposes only. Images may show optional equipment which does not form part of UK standard specification.

# The Mercedes-Benz Vito.

## 2 van models:



Panel Van - 3 seats



Crew Van - 6 seats

## 3 lengths:



L1: 4,895mm



L2: 5,140mm



L3: 5,370mm

Height: 1,910mm

## 3 trims:



PROGRESSIVE



PREMIUM



SPORT (Available on Crew Van only)

Discover more about the other Mercedes-Benz Vito models in our range:

- ▶ [The Vito Tourer](#)
- ▶ [The Vito Taxi](#)
- ▶ [The eVito](#)

# The Vito. Evolved.

Leaner. Keener. And more intelligent than ever with Mercedes PRO connect – our connected vehicle system that’s included as standard in every Vito and free for 3 years to give you:

## › More safety

- If you have an accident, Mercedes-Benz Vans customer services are automatically called and if there’s no response, the emergency services will be contacted.
- If you require roadside assistance, eCall will call customer services who will send a technician out to your location.

## › More security

- Protect your vehicles with theft warning alerts.
- Lock your vehicle remotely from your mobile.
- Use geofencing to alert you when your vehicles leave a defined area.

## › More efficiency

- Assign tasks, track jobs and contact your drivers at the touch of a button.
- Keep your vans on the road for as long as possible with Optimised Assistance – intelligent software which gives you real-time reports of critical parts and fluids.
- Record your trips and see a log of your journeys to help with your mileage claims.

## › Arrange a demonstration at your nearest Dealership

## › Download the Mercedes PRO connect brochure to find out more



- › Services are free for 3 years
- › Simple to set up and use on multiple devices
- › Integrates easily with telematics systems.

The Mercedes-Benz Vito

4

# The Vito PROGRESSIVE.

Panel and Crew Van options available. Features include:

## Interior

- Driver and co-driver airbag
- Comfort (eight-way adjustable) driver's seat
- Double co-driver seat
- Driver's seat lumbar support
- Locking glovebox
- Multifunctional steering wheel

## Exterior

- Colour coded bumpers
- Front fog lamps
- Headlight assistant
- Heated, electrically adjustable mirrors
- Twin sliding doors

## Safety, security and connectivity

- Active Brake ASSIST
- Anti-theft protection package
- ATTENTION ASSIST
- Audio 30 with DAB radio, Apple / Android Car Play
- Crosswind ASSIST
- Cruise control
- Double locks
- Reversing camera

From £22,845\*

\*Based on a Vito 110 PROGRESSIVE L1.

### • 3 lengths available

- L1: 4,895mm
- L2: 5,140mm
- L3: 5,370mm

### • 2 transmission options available

- 6-speed (manual)
- 9G-TRONIC PLUS (automatic)



Plastic bumpers included as standard as of November 2020.



The Mercedes-Benz Vito 5

➤ [Arrange a test drive at your nearest Dealership](#)

# The Vito PREMIUM.

Panel and Crew Van options available. Features include:

## Interior

- Driver and co-driver airbag
- Comfort (eight-way adjustable) driver's seat
- Double co-driver seat
- Driver's seat lumbar support
- Locking glovebox
- Multifunctional leather steering wheel

## Exterior

- Colour coded bumpers
- Front fog lamps
- Headlight assistant
- Heated, electrically adjustable mirrors
- Twin sliding doors

## Safety, security and connectivity

- Active Brake ASSIST
- Anti-theft protection package
- ATTENTION ASSIST
- Audio 30 with DAB radio, Apple / Android Car Play
- Crosswind ASSIST
- Cruise control
- Double locks
- Reversing camera

## Additional features included with the PREMIUM:

- 17" alloy wheels
- Chrome radiator grille
- Electrically folding exterior mirrors
- Metallic paint
- Parking package
- TEMPATIC air conditioning
- Velour floor mats

From £29,550\*

\*Based on a Vito 114 PREMIUM L1.

## • 3 lengths available

- L1: 4,895mm
- L2: 5,140mm
- L3: 5,370mm

## • 1 transmission available

- 9G-TRONIC PLUS (automatic)

➤ [Arrange a test drive at your nearest Dealership](#)



Image shows the upgraded Light-alloy wheels - 7,5J x 18 ET 52 (Code R10).



The Mercedes-Benz Vito

# The Vito SPORT.

Crew Van and Tourer options available. Features include:

## Interior

- Driver and co-driver airbag
- Comfort (eight-way adjustable) driver's seat
- Double co-driver seat
- Driver's seat lumbar support
- Locking glovebox
- Multifunctional steering wheel
- TEMPATIC air conditioning
- Velour floor mats

## Exterior

- 17" Alloy wheels
- Chrome radiator grille
- Colour coded bumpers
- Electrically folding exterior mirrors
- Front fog lamps
- Metallic paint
- Twin sliding doors

## Safety, security and connectivity

- Active Brake ASSIST
- Anti-theft protection package
- ATTENTION ASSIST
- Crosswind ASSIST
- Cruise control
- Double locks
- Headlight assistant
- Parking package
- Reversing camera

## Additional features included with the SPORT:

- AMG side skirts
- Audio 40 infotainment system including Navigation with DAB+ and 7" colour touchscreen
- Black leatherette upholstery
- Bonnet and sill graphics
- Chrome interior details
- Heated front seats
- Heated windscreen washers
- Large fuel and AdBlue tanks
- LED head and tail lamps
- Roof rails
- Sports suspension

From £40,745\*

\*Based on a Vito 116 Crew Van SPORT L1.

### • 3 lengths available

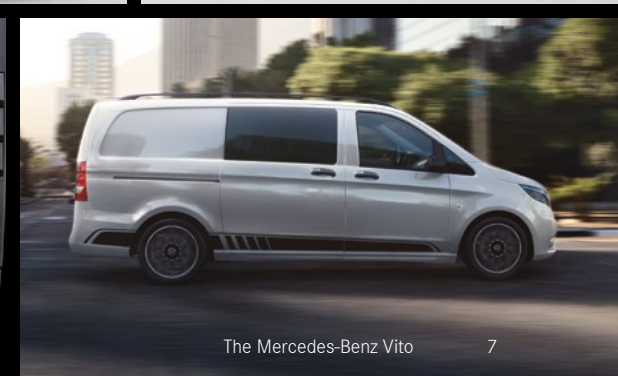
- L1: 4,895mm
- L2: 5,140mm
- L3: 5,370mm

### • 1 transmission available

- 9G-TRONIC PLUS (automatic)

➤ [Arrange a test drive at your nearest Dealership](#)

➤ [Find out more about the Vito SPORT Tourer](#)



The Mercedes-Benz Vito

7

# Colours and upholstery.

## Solid paints



Arctic white  
(Standard on the Vito PROGRESSIVE)



Pebble grey



Jupiter red



Navy blue



Granite green

## Metallic paints



Obsidian black  
(Standard on the Vito PREMIUM)



Hyacinth red  
(Standard on the Vito SPORT)



Brilliant silver



Dark graphite grey

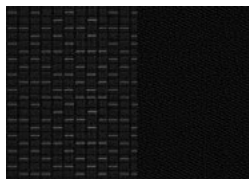


Selenite grey

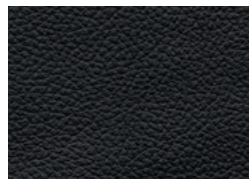


Cavansite blue

## Interior upholstery



Black Caluma seat upholstery  
(Standard on the Vito PROGRESSIVE and PREMIUM)



Black leatherette seat upholstery  
(Standard on the Vito SPORT)

➤ [For paint pricing, see page 11](#)

➤ [For upholstery pricing, see page 15](#)



# Wheels.

Our upgraded wheel options include:

1. 19-inch Alloy wheels with a 16-spoke design (RK3)
2. 19-inch Alloy wheels with a 10-twin spoke design (R1Q)
3. 18-inch Alloy wheels with a 5-spoke design (R1P)  
245/45 tyres
4. 17-inch Alloy wheels with a 5-spoke design (RL8)  
225/55 tyres
5. 17-inch Alloy wheels with a 5-twin spoke design (R1N)  
225/55 tyres
6. Full wheel trims for steel wheels (RD8).

Please note, more wheel options are available - [see page 12](#) for more information.  
Consult your local Dealer for the full range of wheels available.

[Find your nearest Dealership](#)



# Equipment (standard and optional overview).



Every Vito model comes with a host of standard features, plus a range of optional equipment and packages you can add to enhance your van.

Key: ● Standard ○ Optional ◇ Equipment dependant option available – Not available

Equipment	Description	Option code	PROGRESSIVE		PREMIUM		SPORT	Basic Price exc. VAT	Basic Price inc. VAT
			Panel Van	Crew Van	Panel Van	Crew Van	Crew Van		
<b>Upgrade packages</b>									
Drivers Assistance	<b>Lane tracking package</b> Includes Blind Spot ASSIST (JA7) and Lane Keeping ASSIST (JP4).	JP4	○	○	○	○	○	£760.00	£912.00
Exterior, Interior, and parking	<b>PLUS package</b> The PLUS package is the perfect upgrade to the Vito PROGRESSIVE and includes: - TEMPOMATIC air conditioning (HH9) - Full wheel cover (RD8) - Parking package (EZ5).	N1RZ	○	○	-	-	-	£1,700.00	£2,040.00
Mirrors	<b>Mirror package</b> The Vito Mirror package uses automatically dimming mirrors and electrically folding outside mirrors to increase the driving comfort and driving safety.	FP2	○	○	○	○	●	£340.00	£408.00
Parking	<b>Parking package</b> Includes Active parking ASSIST (JA7) - front and rear PARKTRONIC parking sensors. Vehicle automatically parks in 'parallel' and 'bay' parking spaces. Steering is carried out automatically. The driver only has to control accelerator, brake, and gears. In conjunction with automatic transmission, Active Parking ASSIST also takes care of braking. Also includes a reversing camera (FR8).	EZ5	○	○	●	●	●	£1,010.00	£1,212.00
Safety	<b>Active safety package</b> Includes the following safety assistance systems: - Blind Spot ASSIST (JA7) - Lane Keeping ASSIST (JW5) - Headlamp ASSIST (LA2) automatically switches the dipped beams on and off.	JP2	○	○	○	○	○	£815.00	£978.00
Security	<b>Anti-theft protection package</b> <b>STANDARD IN ALL MODELS</b> Thatcham category 1 approved. Includes cab interior and load-space monitoring with double locks, battery back-up siren and tow-away protection as standard on all Vito models.	FY1	●	●	●	●	●	£0.00	£0.00
Trim and Upholstery	<b>Chrome interior appointment package</b> The Chrome interior package further enhances the look of the driver's and front-passenger's area with its trim elements on the dashboard and in the front doors.	FP4	○	○	○	○	●	£125.00	£150.00

Changes to individual option availability and combinations may occur depending on vehicle specification choices and the continuing evolution and adaptation of our product range. These changes may not be immediately reflected in this document as they occur, but will be introduced at the next revision opportunity.

# Equipment (standard and optional overview).

Equipment	Description	Option code	PROGRESSIVE		PREMIUM		SPORT	Basic Price exc. VAT	Basic Price inc. VAT
			Panel Van	Crew Van	Panel Van	Crew Van	Crew Van		
<b>Exterior Features</b>									
Bodywork	<b>Carrier bars</b>	D15	○	○	○	○	○	£150.00	£180.00
	<b>Chrome radiator grille</b> Only available in conjunction with painted bumpers (CM2).	FK2	○	○	●	●	●	£110.00	£132.00
	<b>Roof rails</b> Maximum load of 150kg, when supported by three carrier bars.	D12	○	○	○	○	●	£380.00	£456.00
Fuel Tanks	<b>57L fuel tank</b>	KB5	●	●	●	●	●	£0.00	£0.00
	<b>70L fuel tank</b> Larger 70 litre capacity tank replaces standard 57 litre tank.	KB5	○	○	○	○	○	£80.00	£96.00
	<b>Fuel filter with water separator</b> The fuel filter with water separator is able to remove the elevated water content from poor-quality diesel fuel and thereby increase the reliability of the engine.	KL5	○	○	○	○	○	£105.00	£126.00
	<b>Large AdBlue tank (24L)</b>	KP6	●	●	●	●	●	£0.00	£0.00
	<b>Red diesel filler cap</b>	K56	○	○	○	○	○	£20.00	£24.00
Paint	<b>Pre-treated bumpers</b> The pre-treated surfaces facilitate the painting of the bumpers in the desired colour at a later date.	CM3	○	○	-	-	-	£115.00	£138.00
	<b>Colour-coded front and rear bumpers</b>	CM2	●	●	●	●	●	£0.00	£0.00
	<b>Metallic paint</b> Price of paint is dependent on colour.	/	○	○	●	●	●	£565.00	£678.00
Tyres	<b>All-season tyres</b> Compared to summer tyres, all-season tyres excel with better traction in wintry road conditions.	RM0	○	○	○	○	○	£155.00	£186.00

● Standard   ○ Optional   ◇ Equipment dependant option available   - Not available

# Equipment (standard and optional overview).

Equipment	Description	Option code	PROGRESSIVE		PREMIUM		SPORT	Basic Price exc. VAT	Basic Price inc. VAT
			Panel Van	Crew Van	Panel Van	Crew Van	Crew Van		
Tyres	<b>Mud and slush tyres</b> The M+S tyres can improve traction and lateral support in wintry road conditions, improving driving safety on snow, ice and mud.	RM1	○	○	○	○	○	£145.00	£174.00
	<b>Summer tyres</b>		●	●	●	●	●	£0.00	£0.00
Wheels	<b>16" Steel wheels</b> Wheel: 6.5 J x 16 ET 52 Tyres: from 195/65 R 16 to 225/60 R 16	RS3	●	●	-	-	-	£0.00	£0.00
	<b>17" Steel wheels</b> Wheel: 6.5 J x 17 ET 51 Tyres: 225/55 R17 Standard for 119 engine variants	RS7	○	○	○	○	-	£425.00	£510.00
	<b>17" Full wheel cover</b>	RD8	○	○	-	-	-	£80.00	£96.00
	<b>16" Alloy wheels</b> Wheel: 6.5 J x 16 ET 52 Tyres: 195/65 R 16	RL5	○	○	○	○	-	£585.00	£702.00
	<b>17" Alloy wheels (5 spoke design)</b> Painted in vanadium silver Wheel: 7 J x 17 ET 51 Tyres: 225/55 R 17	RL8	○	○	○	○	○	£950.00	£1,140.00
	<b>17" Alloy wheels (5 twin-spoke design)</b> Wheel: 7 J x 17 ET 51 Tyres: 225/55 R17 or 235/55 R17	R1N	○	○	○	○	●	£1,225.00	£1,470.00
	<b>17" Alloy wheels (20 spoke design)</b> Painted in vanadium silver Wheel: 7 J x 17 ET 51 Tyres: 225/55 R 17	RK8	○	○	●	●	○	£950.00	£1,140.00
	<b>18" Alloy wheels</b> Wheel: 7.5 J x 18 ET 52 Tyres: 245/45 R 18	RL9	○	-	○	-	-	£1,430.00	£1,716.00

● Standard   ○ Optional   ◇ Equipment dependant option available   - Not available

# Equipment (standard and optional overview).

Equipment	Description	Option code	PROGRESSIVE		PREMIUM		SPORT	Basic Price exc. VAT	Basic Price inc. VAT
			Panel Van	Crew Van	Panel Van	Crew Van	Crew Van		
Wheels	<b>18" Alloy wheels (5 spoke design)</b> Wheel: 7.5 J x 18 ET 52 Tyres: 245/45 R 18	R1P	○	-	○	-	-	£1,685.00	£2,022.00
	<b>18" Alloy wheels (5 twin-spoke design)</b> Wheel: 7.5 J x 18 ET 52 Tyres: 245/45 R 18	R10	○	-	○	-	-	£1,685.00	£2,022.00
	<b>19" Alloy wheels (5-twin spoke)</b> Bi-colour Wheel: 8 J x 19 ET 52 Tyres: 245/45 R19 tyres (RK1)	RL3	○	-	○	-	-	£1,290.00	£1,548.00
	<b>19" Alloy wheels (10-twin spoke)</b> Wheel: 8 J x 19 ET 52 Tyres: 245/45 R19 tyres (RK1)	R1Q	○	-	○	-	-	£2,140.00	£2,568.00
	<b>19" Alloy wheels (16-spoke)</b> Wheel: 8 J x 19 ET 52 Tyres: 245/45 R19 tyres (RK1)	RK3	○	-	○	-	-	£2,000.00	£2,400.00
<b>Interior Features</b>									
<b>Flooring</b>	<b>Velour floor mats</b> The black velour floor mats visually enhance the cockpit and underscore the elegant, sporty wellness ambience in the vehicle.	VL2	○	○	●	●	●	£45.00	£54.00
<b>Gearbox</b>	<b>6-speed manual transmission</b> (FWD engines only)	GE1	●	●	-	-	-	£0.00	£0.00
	<b>9G-TRONIC automatic gearbox</b> (RWD engines only)	G42	●	●	●	●	●	£0.00	£0.00
<b>Grab Handles</b>	<b>Grab handles for driver's and co-driver's doors</b>	T75	○	○	○	○	○	£45.00	£54.00
<b>Heating and Ventilation</b>	<b>Diesel-powered auxiliary air heater</b> The hot-water auxiliary heater indulges driver and passengers right from the start of the journey with cosy warmth.	H12	○	○	○	○	○	£540.00	£648.00
	<b>Heated driver's seat</b>	H16	○	○	○	○	●	£145.00	£174.00

● Standard   ○ Optional   ◇ Equipment dependant option available   - Not available

# Equipment (standard and optional overview).

Equipment	Description	Option code	PROGRESSIVE		PREMIUM		SPORT	Basic Price exc. VAT	Basic Price inc. VAT
			Panel Van	Crew Van	Panel Van	Crew Van	Crew Van		
Heating and Ventilation	<b>Heated co-driver's seat</b>	H15	○	○	○	○	●	£140.00	£168.00
	<b>Pollen filter</b> The pollen filter keeps even the smallest of particles out of the interior and can therefore protect against allergic reactions.	HF2	○	○	-	-	-	£40.00	£48.00
	<b>TEMPMATIC air conditioning</b> Cools and dehumidifies the air. Features a particulate filter to remove particles of dust and pollen from the outside air.	HH9	○	○	●	●	●	£950.00	£1,140.00
	<b>THERMOTRONIC automatic climate control</b> Automatically controls temperature, airflow and air distribution in 2 separate climate zones. If outside temperatures are very low, the residual heat mode (REST) can make use of the heat stored in the engine's coolant circuit for up to 30mins after the engine has been switched off.	HH4	○	○	○	○	○	£1,620.00	£1,944.00
-			-	○	○	-	£670.00	£804.00	
Seating	<b>Comfort driver's seat</b> Single armrest on the side facing the front passenger; fore/aft adjustment (225mm in total, with 4.5mm intervals); stepless adjustment of the seat backrest angle; stepless seat height adjustment; comfort head restraint adjustable for angle and height.	SB1	●	●	●	●	●	£0.00	£0.00
	<b>Comfort co-driver's seat</b> Comfort driver and co-driver seat with inboard armrests and 4-way adjustable headrests. This deletes the double co-driver seat and therefore limits the cab area to two occupants.	SB2	○	○	○	○	●	£85.00	£102.00
	<b>Double co-driver's seat</b> Bench seat with 2x three-point seat belts, height-adjustable head restraints, and a fixed 17° backrest.	S23	●	●	●	●	-	£0.00	£0.00
	<b>Driver's seat plus with level sitting surface</b>	SF3	○	○	○	○	○	£140.00	£168.00
	<b>Co-driver's seat plus with level sitting surface</b>	SF4	○	○	○	○	○	£140.00	£168.00

● Standard   ○ Optional   ◇ Equipment dependant option available   - Not available

# Equipment (standard and optional overview).

Equipment	Description	Option code	PROGRESSIVE		PREMIUM		SPORT	Basic Price exc. VAT	Basic Price inc. VAT
			Panel Van	Crew Van	Panel Van	Crew Van	Crew Van		
Seating	<b>Lumbar support for driver's seat</b> Electropneumatically operated dual-cushion 4-way lumbar support, adjusted using a switch on the outer side of the seat cushion. The position of the air cushions can also be adjusted for height.	SE5	●	●	●	●	●	£0.00	£0.00
	<b>Lumbar support for co-driver's seat</b> Not compatible with Double co-driver seat (S23)	SE4	○	○	○	○	●	£105.00	£126.00
Steering Wheel	<b>Height and rake adjustable steering wheel</b> Manually adjustable by 4.8° in tilt and 60mm in/out.	CL1	●	●	●	●	●	£0.00	£0.00
	<b>Multifunction steering wheel</b>	CL4	●	●	●	●	●	£0.00	£0.00
	<b>Leather steering wheel, gear knob and gaiter</b> The leather steering wheel and leather-covered shift lever enhance the look and feel of the interior.	CL2	○	○	●	●	●	£195.00	£234.00
Storage	<b>Centre console with stowage compartment</b>	FF1	○	○	○	○	●	£65.00	£78.00
	<b>Locking glove compartment</b> Lock operated using the manual emergency key which is integrated within the electronic ignition key.	F66	●	●	●	●	●	£0.00	£0.00
Trim and Upholstery	<b>Black Caluma seat upholstery</b>	VY2	●	●	●	●	-	£0.00	£0.00
	<b>Black leatherette seat upholstery</b> The black man-made leather lends the interior a comfortable aspect and impresses with its low-maintenance surface.	VU9	○	○	○	○	●	£90.00	£108.00
<b>Technology, Software &amp; Electrics</b>									
Alternator	<b>Alternator 14V / 250A</b>	M60	○	○	○	○	○	£610.00	£732.00
Audio Entertainment and Navigation	<b>Audio 30</b> 7.8 cm (7 inch) touchscreen DAB+ radio includes Smartphone Integration via Apple® CarPlay and Android Auto and also the Bluetooth® interface with audio streaming and hands-free function for making phone calls while driving with minimal distraction. Includes 2 USB ports.	E3C	●	●	●	●	-	£0.00	£0.00

● Standard   ○ Optional   ◇ Equipment dependant option available   - Not available

# Equipment (standard and optional overview).

Equipment	Description	Option code	PROGRESSIVE		PREMIUM		SPORT	Basic Price exc. VAT	Basic Price inc. VAT
			Panel Van	Crew Van	Panel Van	Crew Van	Crew Van		
<b>Audio Entertainment and Navigation</b>	<b>Audio 40</b> 7.8 cm (7 inch) touchscreen DAB+ radio with integrated Navigation. Includes Smartphone Integration via Apple® CarPlay and Android Auto and Bluetooth® interface with audio streaming and hands-free function for making phone calls while driving with minimal distraction. Includes 2 USB ports.	EA4	○	○	○	○	●	£385.00	£462.00
<b>Keys</b>	<b>Two additional master keys</b>	FZ9	○	○	○	○	○	£105.00	£126.00
<b>Drivers Assistance &amp; Safety</b>									
<b>Airbags</b>	<b>Drivers airbag</b>	/	●	●	●	●	●	£0.00	£0.00
	<b>Co-driver airbag</b>	SA6	●	●	●	●	●	£0.00	£0.00
	<b>Driver thorax-pelvis sidebag</b>	SH1	○	○	○	○	○	£195.00	£234.00
	<b>Co-driver thorax-pelvis sidebag</b>	SH2	○	○	○	○	○	£195.00	£234.00
	<b>Windowbags for driver and co-driver</b> Windowbags on the driver's and front-passenger's side can contribute to reducing the risk of head and facial injuries in the event of severe accidents involving major side-on impact.	SH9	○	○	○	○	○	£425.00	£510.00
<b>Drivers Assistance</b>	<b>Active Brake ASSIST</b> Can detect the danger of a collision with the vehicle ahead, stationary traffic and pedestrians by reacting with a visual and audible warning - braking automatically if there is no driver reaction.	BA3	●	●	●	●	●	£0.00	£0.00
	<b>Active Distance ASSIST DISTRONIC</b> Automatically maintains the distance to vehicles in front. The system accelerates the vehicle by itself and brakes it with a maximum of half the vehicle's braking power in order to maintain a safe distance.	ET4	○	○	○	○	○	£805.00	£966.00
	<b>ATTENTION ASSIST</b> With the help of numerous parameters, the ATTENTION ASSIST function can detect typical signs of drowsiness and warn the driver.	JW6	●	●	●	●	●	£0.00	£0.00
	<b>Blind Spot ASSIST</b> Blind Spot ASSIST can help prevent accidents when changing lanes, for example on the motorway.	JA7	○	○	○	○	○	£440.00	£528.00

● Standard   ○ Optional   ◇ Equipment dependant option available   - Not available



# Equipment (standard and optional overview).

Equipment	Description	Option code	PROGRESSIVE		PREMIUM		SPORT	Basic Price exc. VAT	Basic Price inc. VAT
			Panel Van	Crew Van	Panel Van	Crew Van	Crew Van		
Drivers Assistance	<b>Comfort overhead control panel</b> LED interior lighting including cab downlighting and co-/driver reading lamps; also includes a convenient spectacles compartment.	LC4	●	●	●	●	●	£0.00	£0.00
	<b>Crosswind ASSIST</b> Crosswind ASSIST detects track offset caused by strong crosswind gusts in due time and helps the driver to stay in lane.	JA8S	●	●	●	●	●	£0.00	£0.00
	<b>Cruise Control</b> Includes speed limiter function. Operated via a lever ergonomically positioned on the left of the steering column.	MS1	●	●	●	●	●	£0.00	£0.00
	<b>Headlight assistant</b> A windscreen sensor continuously monitors light conditions and automatically switches the dipped beams on/off upon reaching pre-defined limits.	LA2	●	●	●	●	●	£0.00	£0.00
	<b>Jack</b>	Y36	○	○	○	○	○	£55.00	£66.00
	<b>Lane Keeping ASSIST</b> Warns the driver if lane markings are crossed unintentionally.	JW5	○	○	○	○	○	£440.00	£528.00
	<b>LED Intelligent Light System</b> Automatically adapts light intensity appropriately to weather, lighting and speed. Integrated High Beam ASSIST automatically adjusts the high and low beam to the traffic situation. The cornering function automatically pivots headlamps and illuminates static LED cornering lights into upcoming bends to ensure maximum visibility. Includes Rain sensor (JF1), Headlight assistant (LA2), Heat insulating glass (H20).	LG2	○	○	○	○	●	£1,515.00	£1,818.00
	<b>Rain sensor</b> The rain sensor automatically regulates the wiping frequency of the windscreen wipers with activated intermittent wiping, which makes things easier for the driver.	JF1	●	●	●	●	●	£0.00	£0.00
	<b>Spare Wheel with Jack</b>	RR6	●	-	●	-	-	£0.00	£0.00
<b>Speed Limiter - 120km/h</b>	MD3	○	○	○	○	○	£135.00	£162.00	

● Standard   ○ Optional   ◇ Equipment dependant option available   - Not available

# Equipment (standard and optional overview).

Equipment	Description	Option code	PROGRESSIVE		PREMIUM		SPORT	Basic Price exc. VAT	Basic Price inc. VAT
			Panel Van	Crew Van	Panel Van	Crew Van	Crew Van		
Drivers Assistance	<b>Tyre pressure monitoring, wireless</b> Monitors air pressure in all 4 wheels. Slight pressure variances generate a visual warning. Sudden, extreme, pressure losses trigger an additional acoustic warning.	RY2	●	●	●	●	●	£0.00	£0.00
Parking	<b>Active Parking ASSIST</b> Includes front and rear PARKTRONIC parking sensors. Vehicle automatically parks in 'parallel' and 'bay' parking spaces. Steering is carried out automatically. The driver only has to control accelerator, brake, and gears. In conjunction with automatic transmission, Active Parking ASSIST also takes care of braking.	EZ7	○	○	●	●	●	£710.00	£852.00
	<b>Reversing camera</b>	FR8	●	●	●	●	●	£0.00	£0.00
	<b>Reversing warning device</b> The reverse warning alarm warns pedestrians and other road users audibly of the reversing vehicle and thereby enhances their safety.	JW0	○	○	○	○	○	£90.00	£108.00
Safety Equipment	<b>Accident recovery and breakdown management</b> The vehicle will automatically call the Mercedes-Benz Customer Assistance Center at a press of a button to provide the driver with professional help in the event of an emergency.	EY6	●	●	●	●	●	£0.00	£0.00
Safety Equipment	<b>First aid kit</b>	Y10	○	○	○	○	○	£45.00	£54.00
	<b>Fire extinguisher 1kg</b>	YF7	○	○	○	○	○	£120.00	£144.00
	<b>PRE-SAFE</b> The PRE-SAFE® anticipatory occupant protection system can detect critical driving situations at an early stage and initiate preventive protection measures.	JP1	○	○	○	○	○	£325.00	£390.00
	<b>Warning triangle</b>	Y44	○	○	○	○	○	£45.00	£54.00
<b>Lighting</b>									
Lighting	<b>Blinker lights on rear of roof</b> The additional turn signal lamps on rear of roof improve the visibility of the vehicle, thus enhancing perceptual safety.	L84	○	○	○	○	○	£135.00	£162.00
	<b>Halogen front fog lights</b> Controlled via a push button next to the steering wheel.	L16	●	●	●	●	-	£195.00	£234.00

● Standard   ○ Optional   ◇ Equipment dependant option available   - Not available

# Equipment (standard and optional overview).

Equipment	Description	Option code	PROGRESSIVE		PREMIUM		SPORT	Basic Price exc. VAT	Basic Price inc. VAT
			Panel Van	Crew Van	Panel Van	Crew Van	Crew Van		
Lighting	Interior ambient lighting	LP1	○	○	○	○	●	£220.00	£264.00
	LED lightstrip in load compartment	LC2	○	○	○	○	○	£95.00	£114.00
Loading & Towing									
Bulkhead	<b>Full-width partition with 1 window</b> The full-width partition wall on the B-pillar with window allows a view into the cargo area or the view to the rear and shields the driver's compartment from the load compartment.	D51	○	○	○	○	-	£65.00	£78.00
Gross Vehicle Weight (GVW)	Gross vehicle weight 2.8T	/	●	-	●	-	-	£0.00	£0.00
	Gross vehicle weight 3.05T	XA6	○	●	○	●	●	£560.00	£672.00
	Gross vehicle weight 3.2T	XA5	○	○	○	○	-	£805.00	£966.00
Ground clearance	<b>Increased ground clearance</b> The increased ground clearance by 10mm is particularly beneficial on rough roads or when driving over ramps.	C14	○	○	○	○	-	£160.00	£192.00
Load Area	<b>Interior wood panelling to roof height in load compartment</b> The 5mm-thick wooden panelling of the vehicle sidewalls extending up to roof height protects the sheet metal in the load compartment from damage caused by the cargo.	VA2	○	○	○	○	-	£280.00	£336.00
	<b>Wood load flooring</b> Multiple-bonded 10mm-thick weatherproof plywood floor, coated with hard-wearing phenolic resin film, and featuring a non-slip textured grid surface.	V43	●	●	●	●	●	£0.00	£0.00
Towing Equipment	<b>Electrical components for trailer socket</b>	E57	○	○	○	○	○	£205.00	£246.00
	<b>Trailer load 2,500kg*</b> The updated towing load of 2,500kg makes it possible to tow up to 500kg additional load. * Available on RWD only	QA4	○	○	○	○	○	£65.00	£78.00
Mirrors & Windows									
Mirrors	<b>Electrically folding wing mirrors</b> Fold-in/out function is operated via controls in the driver door.	F64	○	○	●	●	●	£190.00	£228.00

● Standard ○ Optional ◇ Equipment dependant option available - Not available

# Equipment (standard and optional overview).

Equipment	Description	Option code	PROGRESSIVE		PREMIUM		SPORT	Basic Price exc. VAT	Basic Price inc. VAT
			Panel Van	Crew Van	Panel Van	Crew Van	Crew Van		
Mirrors	<b>Heated, electrically adjustable wing mirrors</b> Mirror heating reduces condensation in cold weather and prevents icing-up of the mirrors. The exterior mirrors are heated automatically upon vehicle start when the outside temperature is low or when the rear defrost function is activated.	F68	●	●	●	●	●	£0.00	£0.00
	<b>Illuminated vanity mirrors for sun visors</b>	FS5	○	○	○	○	○	£95.00	£114.00
Windows	<b>Black-tinted windows in rear</b> 90% window tint offers attractive thermal and privacy protection. Applies to all windows after the B-pillar.	W70	-	●	-	●	●	£0.00	£0.00
	<b>Heat-insulating glass</b> Windscreen (laminated glass), side windows and rear window (single-pane safety glass) are tinted green, reducing the sunlight's heating effect on the interior.	H20	●	●	●	●	●	£0.00	£0.00
	<b>Heated windscreen washer system</b>	F48	○	○	○	○	●	£180.00	£216.00
	<b>Sliding window in left sliding door</b>	W18	○	○	○	○	-	£355.00	£426.00
	<b>Sliding window in right sliding door</b>	W19	○	○	○	○	-	£355.00	£426.00

● Standard   ○ Optional   ◇ Equipment dependant option available   - Not available

# Engine and gearbox.

Engine specifications	PROGRESSIVE		PROGRESSIVE / PREMIUM			SPORT*	
	110CDI	114CDI	114CDI	116CDI	119CDI	116CDI	119CDI
Fuel	Diesel		Diesel			Diesel	
Cylinder arrangement	4, in-line		4, in-line			4, in-line	
Cubic capacity	1,749cc		1,950cc			1,950cc	
Turbocharger	Two-stage turbocharger with variable turbine geometry		Two-stage turbocharger with variable turbine geometry			Two-stage turbocharger with variable turbine geometry	
EU exhaust emission standard	Euro 6d-TEMP		Euro 6d-TEMP			Euro 6d-TEMP	
Output, max.	100hp	134hp	134hp	160hp	187hp	160hp	187hp
	75kW	100kW	100kW	120kW	140kW	120kW	140kW
	102PS	136PS	136PS	163PS	190PS	163PS	190PS
	@ 3,800rpm	@ 3,800rpm	@ 3,600 - 4,400rpm	@ 3,800 - 4,400rpm	@ 3,800 - 4,200rpm	at 3,800 - 4,400rpm	at 3,800 - 4,200rpm
Torque, max.	270Nm @ 1,500-2,250rpm	330Nm @ 1,750-2,500rpm	330Nm @ 1,250-2,400rpm	380Nm @ 1,250-2,400rpm	440Nm @ 1,350-2,600rpm	380Nm @ 1,250-2,400rpm	440Nm @ 1,350-2,600rpm
	57L (70L with option KB5 - fuel tank, large)		57L (70L with option KB5 - fuel tank, large)			57L (70L with option KB5 - fuel tank, large)	
Fuel tank capacity	57L (70L with option KB5 - fuel tank, large)		57L (70L with option KB5 - fuel tank, large)			57L (70L with option KB5 - fuel tank, large)	
AdBlue® capacity	24L		24L			24L	
Diesel Particulate Filter [DPF]	●	●	●	●	●	●	●
6-speed manual gearbox	●	●	-	-	-	-	-
9G-TRONIC automatic gearbox	-	-	●	●	●	●	●
Driven Axle	FWD		RWD			RWD	
Alternator	14V / 185A		14V / 200A with Alternator Management (battery charged during braking and overrun)			14V / 200A with Alternator Management (battery charged during braking and overrun)	
Battery	12 V / 92Ah (AGM)		12V / 95Ah (AGM)			12V / 95Ah (AGM)	

\*Available on Crew Van only.

● Standard ○ Optional - Not available

# Fuel consumption, performance and CO<sub>2</sub> emissions.

Model	Fuel Consumption (MPG)					
	CO <sub>2</sub> emissions (g/km)	Combined	Low-speed	Medium-speed	High-speed	Extra high-speed
<b>Panel Van - PROGRESSIVE</b>						
110 FWD Van L1	174	37.7	30.4	38.2	42.8	35.8
114 FWD Van L1	174	38.2	31.4	39.2	43.5	37.2
114 RWD Van L1	157	39.2	32.8	39.8	45.6	37.2
116 RWD Van L1	157	39.2	32.8	39.2	44.8	37.2
110 FWD Van L2	175	37.2	30.1	38.2	42.8	35.8
114 FWD Van L2	174	38.2	31.0	39.2	43.5	36.7
114 RWD Van L2	160	38.7	32.5	39.2	44.8	37.2
116 RWD Van L2	160	38.7	32.5	39.2	44.1	37.2
110 FWD Van L3	175	36.7	30.1	37.7	42.8	35.3
114 FWD Van L3	175	37.7	30.7	38.7	42.8	36.7
114 RWD Van L3	160	38.7	32.1	39.2	44.8	36.7
116 RWD Van L3	160	38.7	32.5	38.7	44.1	37.2
<b>Panel Van - PREMIUM</b>						
114 RWD Van L1	157	39.8	32.8	39.8	46.3	37.7
116 RWD Van L1	157	39.2	33.2	39.8	45.6	37.7
119 RWD Van L1	157	39.2	33.2	39.8	45.6	37.7
114 RWD Van L2	157	39.2	32.8	39.8	45.6	37.7
116 RWD Van L2	157	39.2	32.8	39.2	44.8	37.7
119 RWD Van L2	157	39.2	32.8	39.2	45.6	37.7
114 RWD Van L3	157	39.2	32.5	39.2	45.6	37.2
116 RWD Van L3	157	39.2	32.5	39.2	44.8	37.7
119 RWD Van L3	157	39.2	32.5	39.2	44.8	37.7

Model	Fuel Consumption (MPG)					
	CO <sub>2</sub> emissions (g/km)	Combined	Low-speed	Medium-speed	High-speed	Extra high-speed
<b>Crew Van - PROGRESSIVE</b>						
110 FWD Crew Van L1	175	34.4	47.9	41.5	47.9	41.5
114 FWD Crew Van L1	175	35.8	46.3	41.5	46.3	41.5
114 RWD Crew Van L1	160	34.4	47.9	41.5	47.9	41.5
116 RWD Crew Van L1	160	35.8	46.3	41.5	46.3	41.5
110 FWD Crew Van L2	177	34.4	47.9	41.5	47.9	41.5
114 FWD Crew Van L2	177	34.4	47.9	41.5	47.9	41.5
114 RWD Crew Van L2	161	33.6	47.1	41.5	47.1	41.5
116 RWD Crew Van L2	161	35.3	46.3	41.5	46.3	41.5
110 FWD Crew Van L3	178	34.4	47.9	41.5	47.9	41.5
114 FWD Crew Van L3	178	34.4	47.9	41.5	47.9	41.5
114 RWD Crew Van L3	163	33.6	47.1	41.5	47.1	41.5
116 RWD Crew Van L3	163	35.3	46.3	41.5	46.3	41.5
<b>Crew Van - PREMIUM</b>						
114 RWD Crew Van L1	157	34.0	47.9	41.5	47.9	41.5
116 RWD Crew Van L1	157	35.8	47.1	42.2	47.1	42.2
119 RWD Crew Van L1	157	35.8	47.1	42.2	47.1	42.2
114 RWD Crew Van L2	160	34.0	47.9	41.5	47.9	41.5
116 RWD Crew Van L2	160	35.3	46.3	41.5	46.3	41.5
119 RWD Crew Van L2	160	35.3	46.3	41.5	46.3	41.5
114 RWD Crew Van L3	160	33.6	47.1	40.9	47.1	40.9
116 RWD Crew Van L3	160	35.3	46.3	41.5	46.3	41.5
119 RWD Crew Van L3	160	35.3	46.3	41.5	46.3	41.5
<b>Crew Van - SPORT</b>						
116 RWD Crew Van L1	160	35.3	46.2	41.5	46.2	41.5
119 RWD Crew Van L1	160	35.3	46.2	41.5	46.2	41.5
116 RWD Crew Van L2	161	35.3	46.2	41.5	46.2	41.5
119 RWD Crew Van L2	161	35.3	46.2	41.5	46.2	41.5

All figures are based on a standard specification. The choice of wheels and transmission may affect CO<sub>2</sub> emissions and corresponding Road Fund Licence. The indicated values were determined according to the prescribed measurement method - Worldwide Harmonised Light Vehicle Test Procedure (WLTP). Figures shown may include options which are not available in the UK. Figures shown are for comparability purposes; only compare with other vans tested to the same technical procedures. Figures may not reflect real life driving results, which will depend upon a number of factors including factory-fitted options, accessories fitted (post registration), variations in weather, driving styles and vehicle load. Further information about the test used to establish fuel consumption and CO<sub>2</sub> figures can be found at <https://www.mercedes-benz.co.uk/vans/en/WLTP>

# Weights and payloads.

Model	Gross Vehicle Weight (Kg)	Unladen Weight (Kg)	Payload (Kg)	Gross Train Weight (Kg)
<b>Panel Van - PROGRESSIVE</b>				
110 FWD Van L1	2,800	1,982	818	4,000
114 FWD Van L1	2,800	1,982	818	4,800
114 RWD Van L1	2,800	2,063	737	4,800
116 RWD Van L1	2,800	2,067	733	4,800
110 FWD Van L2	2,800	2,009	791	4,000
114 FWD Van L2	2,800	2,009	791	4,800
114 RWD Van L2	2,800	2,090	710	4,800
116 RWD Van L2	2,800	2,094	706	4,800
110 FWD Van L3	2,800	2,044	756	4,000
114 FWD Van L3	2,800	2,044	756	4,800
114 RWD Van L3	2,800	2,125	675	4,800
116 RWD Van L3	2,800	2,129	671	4,800
<b>Panel Van - PREMIUM</b>				
114 RWD Van L1	2,800	2,092	708	4,800
116 RWD Van L1	2,800	2,092	708	4,800
119 RWD Van L1	2,800	2,092	708	4,800
114 RWD Van L2	2,800	2,119	681	4,800
116 RWD Van L2	2,800	2,119	681	4,800
119 RWD Van L2	2,800	2,119	681	4,800
114 RWD Van L3	2,800	2,154	646	4,800
116 RWD Van L3	2,800	2,154	646	4,800
119 RWD Van L3	2,800	2,154	646	4,800

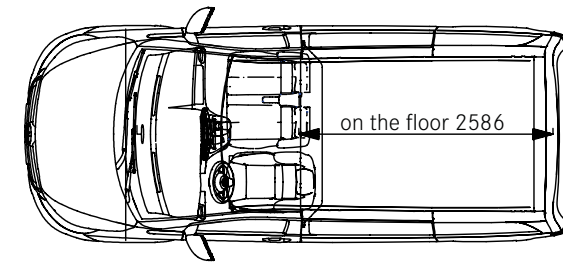
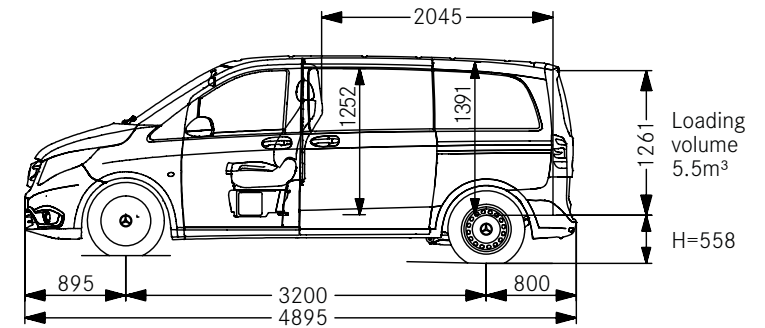
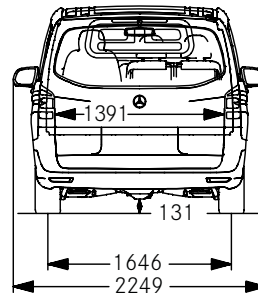
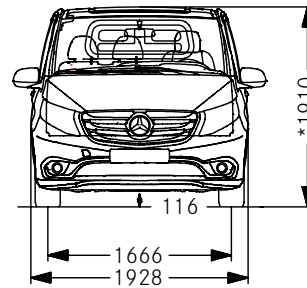
Model	Gross Vehicle Weight (Kg)	Unladen Weight (Kg)	Payload (Kg)	Gross Train Weight (Kg)
<b>Crew Van - PROGRESSIVE</b>				
110 FWD Crew Van L1	3,050	2,048	1002	4,250
114 FWD Crew Van L1	3,050	2,048	1002	4,750
114 RWD Crew Van L1	3,050	2,129	921	5,050
116 RWD Crew Van L1	3,050	2,129	921	5,050
110 FWD Crew Van L2	3,050	2,100	950	4,250
114 FWD Crew Van L2	3,050	2,100	950	4,750
114 RWD Crew Van L2	3,050	2,181	869	5,050
116 RWD Crew Van L2	3,050	2,181	869	5,050
110 FWD Crew Van L3	3,050	2,125	925	4,250
114 FWD Crew Van L3	3,050	2,125	925	4,750
114 RWD Crew Van L3	3,050	2,206	844	5,050
116 RWD Crew Van L3	3,050	2,206	844	5,050
<b>Crew Van - PREMIUM</b>				
114 RWD Crew Van L1	3,050	2,155	895	5,050
116 RWD Crew Van L1	3,050	2,155	895	5,050
119 RWD Crew Van L1	3,050	2,155	895	5,050
114 RWD Crew Van L2	3,050	2,207	843	5,050
116 RWD Crew Van L2	3,050	2,207	843	5,050
119 RWD Crew Van L2	3,050	2,207	843	5,050
114 RWD Crew Van L3	3,050	2,232	818	5,050
116 RWD Crew Van L3	3,050	2,232	818	5,050
119 RWD Crew Van L3	3,050	2,232	818	5,050
<b>Crew Van - SPORT</b>				
116 RWD Crew Van L1	3,050	2,229	821	5,050
119 RWD Crew Van L1	3,050	2,229	821	5,050
116 RWD Crew Van L2	3,050	2,254	796	5,050
119 RWD Crew Van L2	3,050	2,254	796	5,050

Please note: The stated payload weights are correct according to type approval data. The specific payload values for UK supplied vehicles may differ. The figure quoted only accounts for equipment which is included in the UK product offer as standard. Please speak to a dealer for final vehicle configurations and weights once all options and accessories have been added.

# Dimensions.

## PANEL VAN L1

Wheelbase	Wheelbase length	3,200mm
	Turning circle	11.8m
	Track circle	11m
	Front track width	1,666mm
	Rear track width	1,646mm
Vehicle	Length	4,895mm
	Height (unladen)	1,910mm
	Width (inc. wing mirrors)	2,249mm
	Ground clearance	116mm
Load compartment	Length	2,568mm*
	Load volume	5.5m <sup>3</sup>
	Max. width	1,685mm
	Width between wheel arches	1,270mm
	Height	1,391mm
	Rear loading height (step height from ground to load floor)	558mm



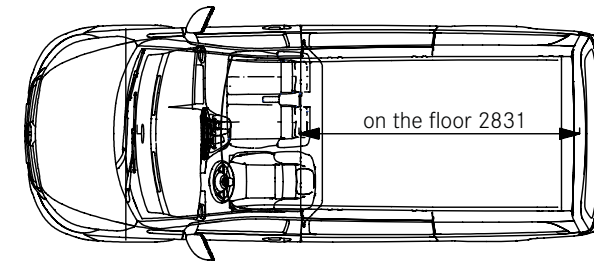
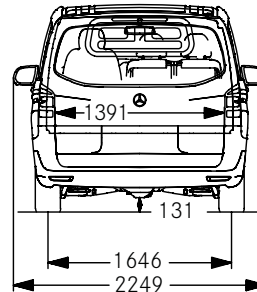
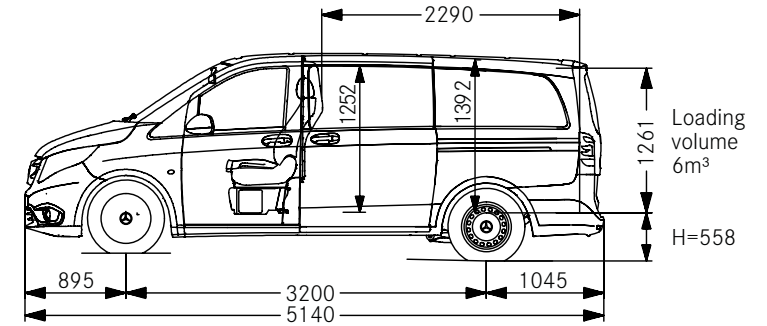
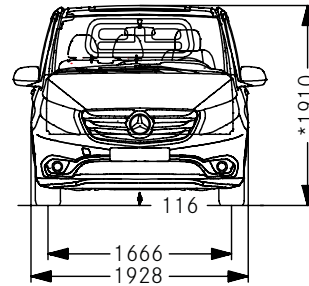
H ca. / \*558 \*unloaded  
 Turning circle Ø ca. 11.8m  
 Track circle Ø ca. 11m

\*Measured on vehicle floor and includes 370mm for the space beneath the front seats.



# Dimensions.

PANEL VAN L2		
Wheelbase	Wheelbase length	3,200mm
	Turning circle	11.8m
	Track circle	11m
	Front track width	1,666mm
	Rear track width	1,646mm
Vehicle	Length	5,140mm
	Height (unladen)	1,910mm
	Width (inc. wing mirrors)	2,249mm
	Ground clearance	116mm
Load compartment	Length	2,831mm*
	Load volume	6.0m <sup>3</sup>
	Max. width	1,685mm
	Width between wheel arches	1,270mm
	Height	1,391mm
	Rear loading height (step height from ground to load floor)	558mm

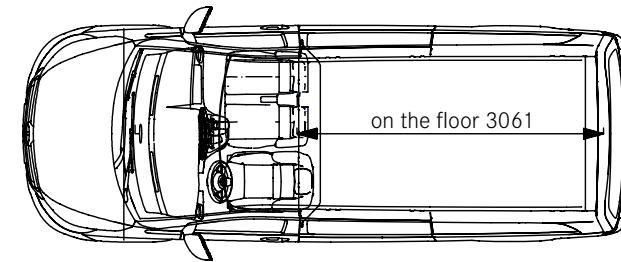
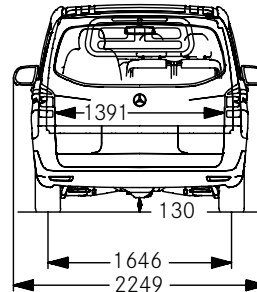
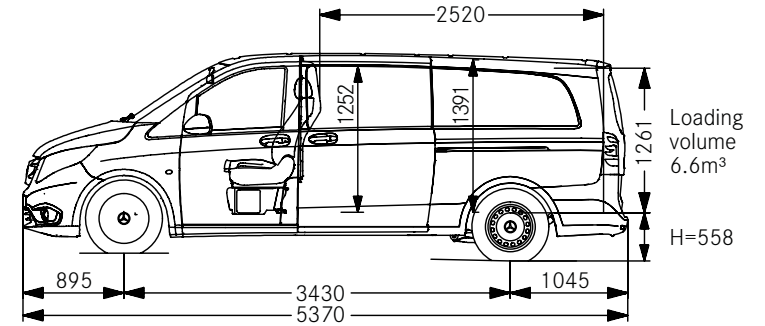
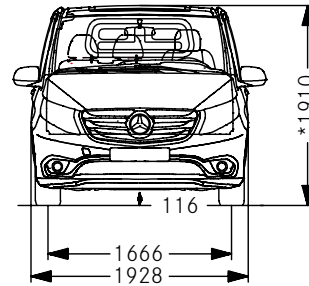


H ca. / \*558 \*unloaded  
 Turing circle Ø ca. 11.8m  
 Track circle Ø ca. 11m

\*Measured on vehicle floor and includes 370mm for the space beneath the front seats.

# Dimensions.

PANEL VAN L3		
Wheelbase	Wheelbase length	3,430mm
	Turning circle	12.5m
	Track circle	12m
	Front track width	1,666mm
	Rear track width	1,646mm
Vehicle	Length	5,370mm
	Height (unladen)	1,910mm
	Width (inc. wing mirrors)	2,249mm
	Ground clearance	116mm
Load compartment	Length	3,061mm*
	Load volume	6.6m <sup>3</sup>
	Max. width	1,685mm
	Width between wheel arches	1,270mm
	Height	1,391mm
	Rear loading height (step height from ground to load floor)	558mm



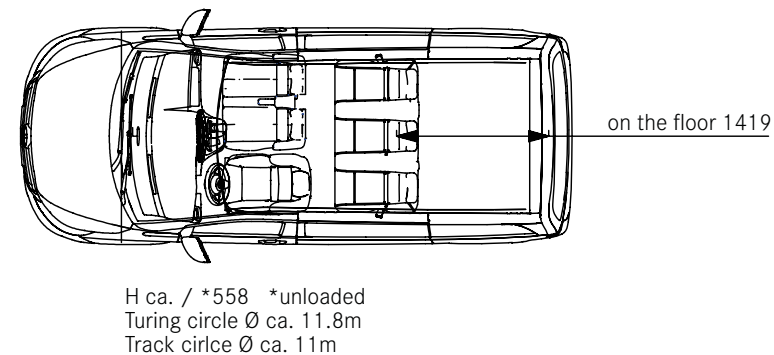
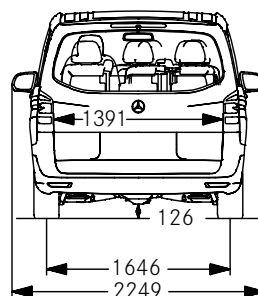
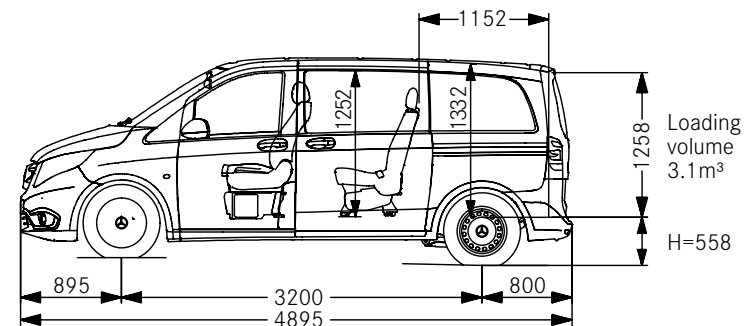
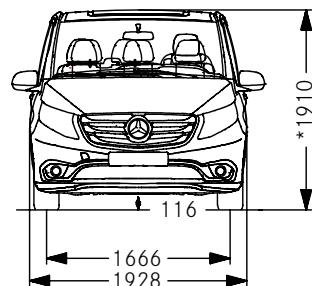
H ca. / \*558 \*unloaded  
 Turning circle Ø ca. 12.5m  
 Track circle Ø ca. 12m

\*Measured on vehicle floor and includes 370mm for the space beneath the front seats.

# Dimensions.

## CREW VAN L1 (Includes SPORT)

Wheelbase	Wheelbase length	3,200mm
	Turning circle	11.8m
	Track circle	11m
	Front track width	1,666mm
	Rear track width	1,646mm
Vehicle	Length	4,895mm
	Height (unladen)	1,910mm (1959mm SPORT)
	Width (inc. wing mirrors)	2,249mm
	Ground clearance	116mm (110mm SPORT)
Load compartment	Length	1,419mm
	Load volume	3.1m <sup>3</sup>
	Max. width	1,685mm
	Width between wheel arches	1,270mm
	Height	1,391mm
	Rear loading height (step height from ground to load floor)	558mm

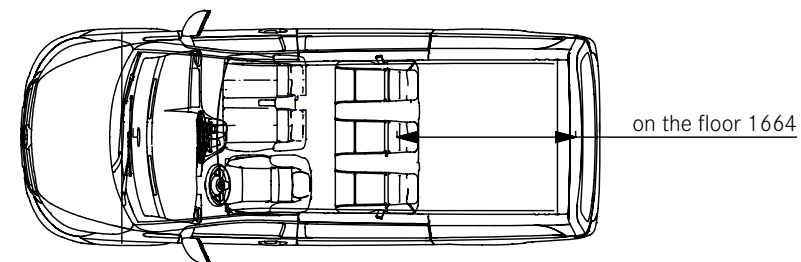
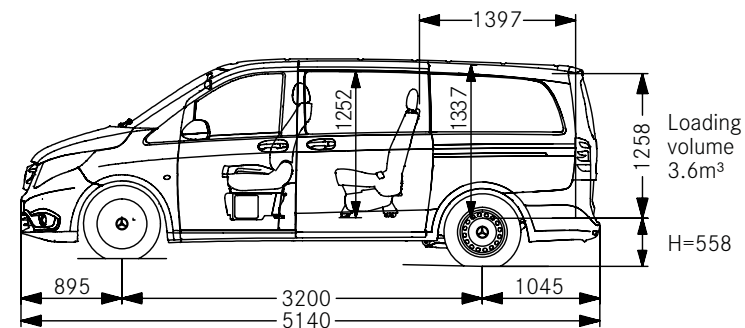
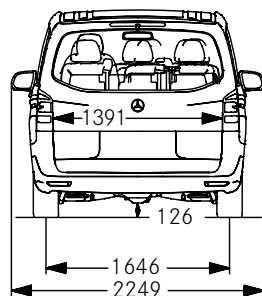
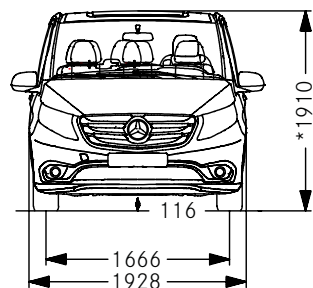


\*Measured on vehicle floor and includes 370mm for the space beneath the front seats.

# Dimensions.

## CREW VAN L2 (Includes SPORT)

Wheelbase	Wheelbase length	3,200mm
	Turning circle	11.8m
	Track circle	11m
	Front track width	1,666mm
	Rear track width	1,646mm
Vehicle	Length	5,140mm
	Height (unladen)	1,910mm (1959mm SPORT)
	Width (inc. wing mirrors)	2,249mm
	Ground clearance	116mm (110mm SPORT)
Load compartment	Length	1,664mm*
	Load volume	3.6m <sup>3</sup>
	Max. width	1,685mm
	Width between wheel arches	1,270mm
	Height	1,391mm
	Rear loading height (step height from ground to load floor)	558mm

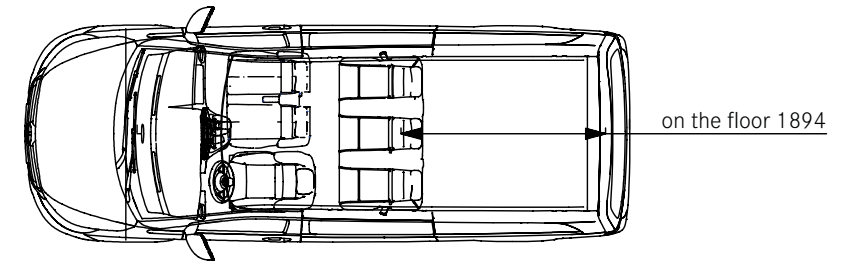
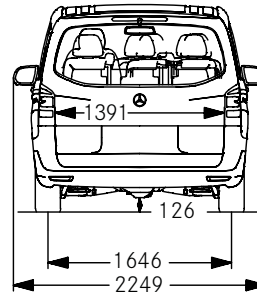
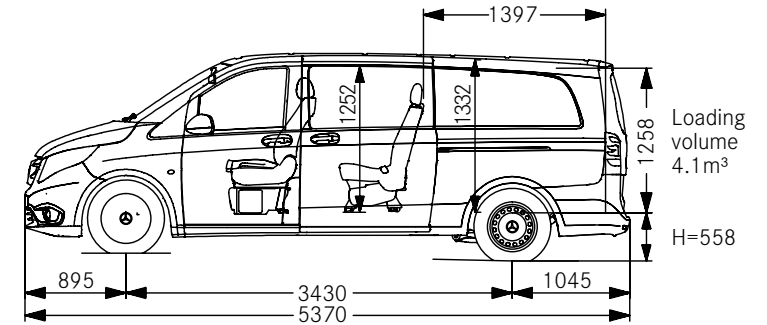
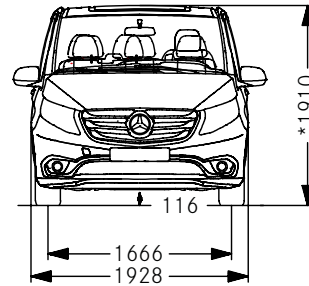


H ca. / \*558 \*unloaded  
Turning circle Ø ca. 11.8m  
Track circle Ø ca. 11m

\*Measured on vehicle floor and includes 370mm for the space beneath the front seats.

# Dimensions.

CREW VAN L3		
Wheelbase	Wheelbase length	3,430mm
	Turning circle	12.5m
	Track circle	12m
	Front track width	1,666mm
	Rear track width	1,646mm
Vehicle	Length	5,370mm
	Height (unladen)	1,910mm
	Width (inc. wing mirrors)	2,249mm
	Ground clearance	116mm
Load compartment	Length	1,894mm*
	Load volume	4.1m <sup>3</sup>
	Max. width	1,685mm
	Width between wheel arches	1,270mm
	Height	1,391mm
	Rear loading height (step height from ground to load floor)	558mm



H ca. / \*558 \*unloaded  
 Turning circle Ø ca. 12.5m  
 Track circle Ø ca. 12m

\*Measured on vehicle floor and includes 370mm for the space beneath the front seats.

# List prices.

Model	Transmission	Basic Recommended Retail Price (Ex. VAT)	Basic Recommended Retail Price (Inc. VAT)
<b>Panel Van - PROGRESSIVE</b>			
110 FWD Van L1	6-speed (manual)	£22,845	£27,414
114 FWD Van L1	6-speed (manual)	£24,350	£29,220
114 RWD Van L1	9G-TRONIC (auto)	£26,350	£31,620
116 RWD Van L1	9G-TRONIC (auto)	£27,820	£33,384
110 FWD Van L2	6-speed (manual)	£23,245	£27,894
114 FWD Van L2	6-speed (manual)	£24,745	£29,694
114 RWD Van L2	9G-TRONIC (auto)	£26,745	£32,094
116 RWD Van L2	9G-TRONIC (auto)	£28,220	£33,864
110 FWD Van L3	6-speed (manual)	£23,775	£28,530
114 FWD Van L3	6-speed (manual)	£25,280	£30,336
114 RWD Van L3	9G-TRONIC (auto)	£27,280	£32,736
116 RWD Van L3	9G-TRONIC (auto)	£28,750	£34,500

<b>Panel Van - PREMIUM</b>			
114 RWD Van L1	9G-TRONIC (auto)	£29,550	£35,460
116 RWD Van L1	9G-TRONIC (auto)	£31,020	£37,224
119 RWD Van L1	9G-TRONIC (auto)	£32,520	£39,024
114 RWD Van L2	9G-TRONIC (auto)	£29,945	£35,934
116 RWD Van L2	9G-TRONIC (auto)	£31,420	£37,704
119 RWD Van L2	9G-TRONIC (auto)	£32,920	£39,504
114 RWD Van L3	9G-TRONIC (auto)	£30,480	£36,576
116 RWD Van L3	9G-TRONIC (auto)	£31,950	£38,340
119 RWD Van L3	9G-TRONIC (auto)	£33,450	£40,140

Model	Transmission	Basic Recommended Retail Price (Ex. VAT)	Basic Recommended Retail Price (Inc. VAT)
<b>Crew Van - PROGRESSIVE</b>			
110 FWD Crew Van L1	6-speed (manual)	£24,715	£29,658
114 FWD Crew Van L1	6-speed (manual)	£26,220	£31,464
114 RWD Crew Van L1	9G-TRONIC (auto)	£28,220	£33,864
116 RWD Crew Van L1	9G-TRONIC (auto)	£29,690	£35,628
110 FWD Crew Van L2	6-speed (manual)	£25,115	£30,138
114 FWD Crew Van L2	6-speed (manual)	£26,615	£31,938
114 RWD Crew Van L2	9G-TRONIC (auto)	£28,615	£34,338
116 RWD Crew Van L2	9G-TRONIC (auto)	£30,090	£36,108
110 FWD Crew Van L3	6-speed (manual)	£25,645	£30,774
114 FWD Crew Van L3	6-speed (manual)	£27,150	£32,580
114 RWD Crew Van L3	9G-TRONIC (auto)	£29,150	£34,980
116 RWD Crew Van L3	9G-TRONIC (auto)	£30,620	£36,744

<b>Crew Van - PREMIUM</b>			
114 RWD Crew Van L1	9G-TRONIC (auto)	£31,420	£37,704
116 RWD Crew Van L1	9G-TRONIC (auto)	£32,890	£39,468
119 RWD Crew Van L1	9G-TRONIC (auto)	£34,390	£41,268
114 RWD Crew Van L2	9G-TRONIC (auto)	£31,815	£38,178
116 RWD Crew Van L2	9G-TRONIC (auto)	£33,290	£39,948
119 RWD Crew Van L2	9G-TRONIC (auto)	£34,790	£41,748
114 RWD Crew Van L3	9G-TRONIC (auto)	£32,350	£38,820
116 RWD Crew Van L3	9G-TRONIC (auto)	£33,820	£40,584
119 RWD Crew Van L3	9G-TRONIC (auto)	£35,320	£42,384

<b>Crew Van - SPORT</b>			
116 RWD Crew Van L1	9G-TRONIC (auto)	£40,745	£48,894
119 RWD Crew Van L1	9G-TRONIC (auto)	£41,930	£50,316
116 RWD Crew Van L2	9G-TRONIC (auto)	£41,145	£49,374
119 RWD Crew Van L2	9G-TRONIC (auto)	£42,335	£50,802

This document is for guidance only and must be used in conjunction with a configuration tool prior to final specification decisions and vehicle quotations being prepared and accepted. List prices are quoted ex-factory unless otherwise stated. Delivery charges excluding VAT will be added to model prices quoted in this document. Prices based on standard finish paint choice. Mercedes-Benz Vans UK and authorised Dealers reserve the right to alter specification and vary prices without notice. The availability of options may depend on the chosen base vehicle and other optional equipment specified, and should be confirmed with your Mercedes-Benz Vans Dealer prior to order placement. VAT is calculated at the standard rate of 20%. Mercedes-Benz Vans UK Ltd, Tongwell, Milton Keynes, MK15 8BA.

# Introducing Mercedes-Benz Approved Used Vans.

## Know exactly what you're getting into.

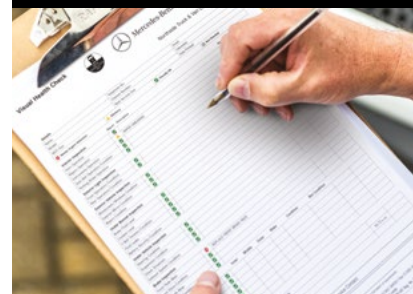
If you're looking for a used Vito van that offers the same commitment to quality and workmanship as new, look no further than a Mercedes-Benz Approved Used Vito van. Each van has been rigorously inspected by Mercedes-Benz technicians and comes with the following assurances as standard:

- > Will be no older than 6 years
- > Less than 150,000 miles on the clock
- > Full service history
- > Minimum of 24-months' warranty
- > Minimum of 3mm tyre tread depth on all tyres
- > 12-month MOT
- > Mercedes-Benz Approved Used Vans Mechanical Breakdown Insurance
- > Free 24/7 MobiloVan roadside assistance\*
- > Corrosion warranty renewal
- > 10 day exchange period
- > Complimentary 7-day insurance coverage.

Find your Approved Used Vito:

- > [www.usedvans.mercedes-benz.co.uk/used-van-search/](http://www.usedvans.mercedes-benz.co.uk/used-van-search/)

\* Terms and conditions apply



# Finance options.

Get an agreement that suits you with Mercedes-Benz Finance.

At Mercedes-Benz Finance we have a number of finance options you can choose from to suit your business needs, because we understand the complexities of running a modern-day business...

## Agility

A flexible method of financing a vehicle over a fixed term. The agreement defers your decision of whether you purchase, hand back or part-exchange your vehicle until the end of your agreement.

- Fixed regular payments mean you can easily budget
- Payments are based only on a proportion of the van's value, keeping your monthly payments lower
- Our Optional Purchase Payment avoids the risk of unplanned depreciation of your vehicle.

## Hire Purchase

A straightforward route to ownership. This is the perfect way to buy a Mercedes-Benz if you want to work your way up to full ownership, spreading the overall cost over a fixed term.

- On completion of the agreement you will own the vehicle
- A flexible deposit and repayment term means you can tailor the financial agreement to suit you
- Monthly payments are not based on annual mileage.

## Operating Lease

A solution for those who want to drive one of our vehicles over a fixed term, with lower monthly rentals and without the worries or commitment of ownership.

- Pay an advance rental upfront
- Rentals are based on your annual mileage agreed at the start of your agreement and only on a proportion of the vehicle's value, keeping your monthly payments lower
- Rentals are allowable against taxable profits (proportionally).

## Contract Hire

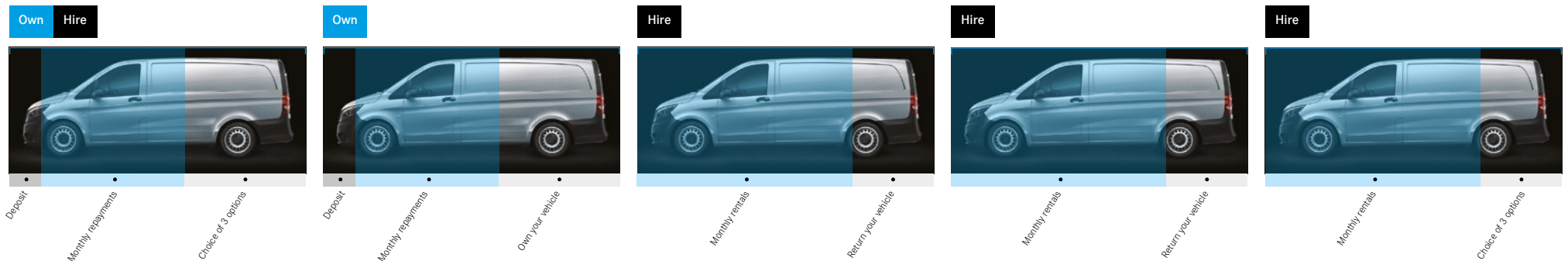
Gives you the ability to enjoy driving a Mercedes-Benz without having to take on full ownership. With Contract Hire, you lease your vehicle for a fixed period and for a fixed monthly rental.

- No need for a large initial deposit
- Repair and Maintenance options are also available
- VAT is reclaimable depending on usage (proportionally).

## Finance Lease

Allows your vehicle to appear as an asset on your balance sheet, without the option of ownership as you hire a vehicle for a fixed period.

- Fixed regular payments enable you to easily budget
- The vehicle is an asset on the balance sheet, therefore tax allowances may be deducted from taxable profits
- Payments are not based on annual mileage.



➤ [For more information about our finance options](#)



# After care.

## Keeping Businesses Moving.

Once you've driven away in your new Vito, the support we provide doesn't stop there. Did you know we offer a number of ways to keep your business moving long into the future? It's perhaps one of our best kept secrets...

### › ServiceCare

Because you don't stop, we don't either. We offer a range of servicing options to suit every business and to keep your vehicles on the road and running at their peak performance.

- **ServiceCare Maintenance**

Spread the cost of up to 6 services and save, without entering into a credit agreement. Pay one upfront sum or by monthly Direct Debit.

- **ServiceCare Flex**

Fix and reduce servicing costs for your van fleet by buying them in bulk. Specifically designed for fleets operating 25+ vehicles.

- **ServiceCare Complete**

Tailor a package that covers all your service and maintenance requirements and maintenance costs.

[Find out more about service and repairs](#)

### › MobiloVan

All Mercedes-Benz Vans come with MobiloVan, our free roadside assistance 24/7, across Europe\*. If you breakdown, have a collision or can't start your van, call MobiloVan and a technician with an average response time of under 60 minutes will arrive in a van stocked with Mercedes-Benz GenuineParts. With an average roadside repair rate of 80%, you'll be moving again in no time.

[Find out more about MobiloVan](#)

### › 3 year warranty

Because we want to help keep businesses moving today and in the future, all our new and Approved Used vans come with a free 3 year unlimited mileage warranty.

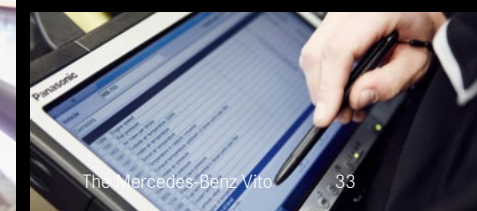
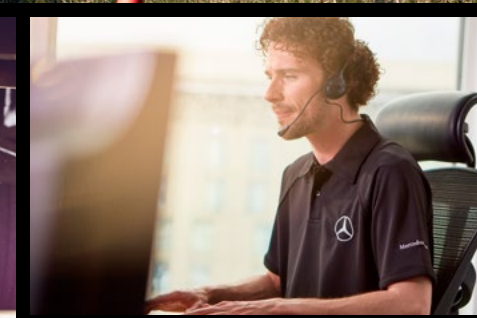
[Find out more about warranties](#)

### › 24/7 Dealer network

Our nationwide network of approved Dealers is here to help your business maintain momentum. Most Dealers work until midnight and over a third are open 24/7.

[Find out more about our Dealer network](#)

\*For a full list of exclusions and all product terms please visit [mbvans.co.uk/mobilovan](http://mbvans.co.uk/mobilovan).



The Mercedes-Benz Vito 33