

# PROACE CITY



Toyota  
Professional

# PEACE OF MIND COMES AS STANDARD

We know it's more than just a business to you. It's your life, it's who you are. We know you need to have 100% trust in your tools so you can do your job brilliantly for your customers. That's why Toyota Professional is here to support you, to always have your back. To make sure you don't ever have to let your customers down.

With the new PROACE CITY joining the PROACE, Land Cruiser and legendary Hilux, Toyota now have the complete range of commercial vehicles to power your business and suit the needs of your trade.







## CONTENTS

2 Commercial vehicle range	14 Connectivity	28 Model availability
4 Introduction	16 Performance & agility	30 Specifications
6 Payload overview	18 Safety	34 Equipment
8 Payload practicality	20 Grades	38 Service & peace of mind
10 Smart Cargo	24 Accessories	
12 Interior comfort	26 Trim, wheels & colours	



**BUILT AROUND YOU AND YOUR BUSINESS**





Compact and more than capable, PROACE CITY is designed to perfectly meet your business needs. Delivering excellent payload (up to 1 tonne) and load capacity (up to 4.3m<sup>3</sup>). Driver support is available with reversing camera, an optional safety pack and Pro-Touch infotainment. Practicality is guaranteed with Smart Cargo\* loading facility in combination with the mobile office that converts the cab into a working space.



#### Panel Vans

Available in short and long wheelbase.

\* Optional on Active, standard on Icon.

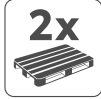




1

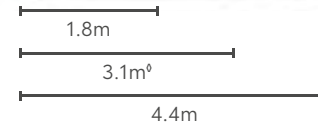
Model shown is Icon short wheelbase.

# THE COMPACT VAN THAT THINKS BIG

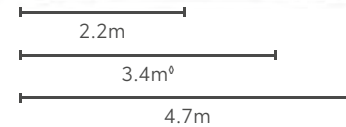


Functional, versatile and accessible, the new PROACE CITY is the perfect urban van. With outstanding loading length and generous loading volume, both long and short wheelbases can accommodate two Euro pallets\*.

With a payload capacity of up to 1 tonne and a towing capacity of up to 1.5 tonne whether you are moving weight or needing space, you will be able to get the job done.



**Panel Van**  
Short wheelbase offers up to 3.1m load length and up to 3.7m³ volume.



**Panel Van**  
Long wheelbase increases that to up to 3.4m load length and up to 4.3m³ volume.

## 1. Rear door options

Double opening rear doors.

\* Euro 1 pallet size.

§ Additional capacity with Smart Cargo.

° With Smart Cargo; optional on Active, standard on Icon.

# SIMPLY PRACTICAL

Designed to make your business easy, PROACE CITY loves the urban environment thanks to its compact size and clever design. Your cargo will always be accessible via the swinging rear doors and twin side loading doors. Load capacity and length can be easily increased with the Smart Cargo system\*: overall load length up to an additional 1.3m and cargo capacity by 0.4m<sup>3</sup>.



**Load-securing hooks**  
Secure the cargo and reduce the risk of damage when in transit.

\* Optional on Active as part of the Smart Cargo pack.

**1. 12V power outlet**  
12V power outlet inside the load area for charging whenever necessary.

**2. Easy-access sliding doors**  
Easy access with sliding side doors, even in tight spaces.







1

2

Model shown is Icon short wheelbase.





1

Model shown is Icon short wheelbase.





# EXTRA SPACE WHEN YOU NEED IT



## 3 front seats\*

The flat floor and bench seat provide seating for up to three.



## Mobile office\*

The integrated table on the folding central seat can be angled towards either passenger or driver.

**PROACE CITY** offers the flexibility that businesses need, with a range of interiors to cater for every trade. The Smart Cargo system creates additional load length and carrying capacity with an ingenious hatch in the bulkhead for transporting longer loads.

The clever folding middle front seat creates a handy work surface, ideal for laptops and tablets, whilst under-seat storage accommodates all your essentials, out of sight.

There's a choice of two<sup>s</sup> or three front seats.

## 1. Opening hatch in bulkhead

Increases load length by 1.3m and volume by 0.4m<sup>3</sup>.

Smart Cargo hatch: 612(h) x 298(w) mm.

\* Optional as part of the Smart Cargo pack.

<sup>s</sup> Only available on Active without Smart Cargo pack.

Image shown may not reflect UK specification.



Model shown is Icon long wheelbase.



# COMFORT ZONE AT WORK



**5.9-litre front door storage**  
Deep and wide, in the large door pockets you keep all essentials within close reach.



**Dashboard open and closed storage\***  
The convenience of open storage and the security of closed storage ensures you can find everything you need in a second.



**Overhead storage**  
Clever solutions maximise the space with overhead storage.

**Combine business with pleasure: PROACE CITY is designed to keep you comfortable however long you spend behind the wheel.**

**Expansive cabin space, a well organised dashboard and supportive seats ensure you travel in comfort throughout the day.**

**1. In-floor storage**  
Safely out of sight, but easily at hand.

\* Active has closed upper passenger and open driver storage compartments.  
Icon has closed upper passenger and driver storage compartments.

# TECHNOLOGY WORKING FOR YOU EVERY MINUTE

With voice activation and touch screen technology PROACE CITY offers the latest in multimedia and connectivity\*. More than just audio, its 8" screen delivers an intuitive and engaging experience that allows you to access smartphone features including Smartphone Integration with MirrorLink®, Apple CarPlay™ with Siri assist, Android Auto™ with Google assistant and Bluetooth®.



## Pro Touch

Complete with Toyota Connected Services, featuring real-time traffic, TomTom places, local weather, car parks, petrol stations and points of interest.



## Toyota Connect (Apple CarPlay™ and Android Auto™)

Plug in, and Toyota Connect will mirror your smartphone. Music and phoning are now even simpler.



## E-Call

Connect with emergency services if the vehicle is involved in a serious accident.

\* Standard on Icon only.





Model shown is Icon long wheelbase.

# FIND YOUR BEST FIT

At Toyota we know that every business is unique and that choice is important, which is why we offer two diesel powertrains producing between 75 and 100 DIN hp. With outstanding fuel economy PROACE CITY has the powertrain to perfectly match your business needs in a cost-effective way.

## Diesel

### 1.5 (75 hp) Manual

Power 75 DIN hp

Fuel consumption\* 49.5–51.3 mpg

CO<sub>2</sub> emissions\* 145 g/km

0–62 mph 15.8 seconds

Available on All grades

## Diesel

### 1.5 (100 hp) Manual

Power 100 DIN hp

Fuel consumption\* 46.3–49.5 mpg

CO<sub>2</sub> emissions\* 148–150 g/km

0–62 mph 12.1 seconds

Available on All grades



\* Combined cycle.





Model shown is Icon short wheelbase.

# BECAUSE SAFETY ISN'T AN OPTION

Standard safety features that include an advanced Pre-Collision System, Road Sign Assist, Lane Departure Alert with Steering Control, Cruise Control and Driver Attention Alert you can be sure that PROACE CITY has you covered.

In addition to the above, the optional Toyota safety pack includes a Thatcham approved category 1 alarm.

## TOYOTA SAFETY SENSE + ALARM

### Pre-Collision System

Pre-Collision System uses a camera and laser to detect other vehicles in the road ahead. When the possibility of collision is detected the driver is alerted with audio and visual warnings and brake assistance is activated.

### Road Sign Assist

Road Sign Assist monitors the road signs ahead, displaying information such as the current speed limit or overtaking restrictions in clear view on the TFT cockpit display. The system provides a visual and acoustic warning if you are not following the road sign indication.

### Driver Attention Alert

This function monitors the vehicle's position within the lane and the driver's steering in order to detect vehicle sway, which tends to occur when the driver's ability to concentrate deteriorates due to drowsiness, inattention or distraction.

### Lane Departure Alert with Steering Control

Using a camera to detect the lane markings in the road ahead, Lane Departure Alert will give the driver with audible and visual warnings if the vehicle starts to deviate from its lane without the turn indicator being applied and corrects unintentional lane departure.

### Alarm with tilt sensor (Thatcham approved category 1)

This Thatcham approved alarm is optional on the Icon grade, providing an additional level of security for your van.





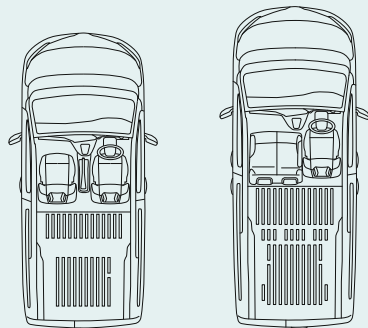
# ACTIVE GRADE



Short wheelbase Panel Van



Short wheelbase Panel Van



Short wheelbase

Long wheelbase

## PANEL VAN

### Main features

- Full size temporary spare wheel
- Auto headlights
- Electrically heated door mirrors
- Manually retractable door mirrors
- Panel rear wing doors (180° opening)
- Two sliding side doors
- Tyre Pressure Warning System (TPWS)
- Dark Grey Fabric
- Bluetooth® connectivity
- Manual air conditioning
- Electric front windows – one touch auto up & down function
- Rubber floor in cargo area
- Panel bulkhead





15" steel wheels on 75 hp engine



16" steel wheels on 100 hp engine

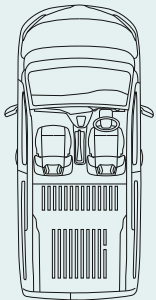
# ICON GRADE



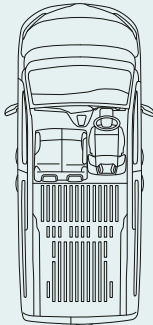
Long wheelbase Panel Van



Short wheelbase Panel Van



Short wheelbase



Long wheelbase

## PANEL VAN

### Main features (additional to Active)

- Auto wipers
- Power-retractable door mirrors
- Front parking Sensors
- Rear parking sensors
- Reversing camera
- Cruise control
- Smartphone Integration incl Apple CarPlay™ & Android Auto™
- Electronic parking brake
- Manually height-adjustable driver seat
- Manually reclining front passenger seat
- Manually sliding front passenger seat
- Smart Cargo





16" steel wheels with wheel caps  
(5-triple-spoke)

# ACCESSORIES

Toyota accessories give you choices for customising the interior of your PROACE CITY. There are options for protection and security to suit a wide range of business needs.



Premium Ply\*



Rubber floor mats



Cargo Lock



Cargo Lock

Roof platform



\* Ply flooring not included due to standard fit cargo liner from factory.





Roof bars



Cargo Lock

Choice of options and accessories fitted (pre-registration) may affect the official CO<sub>2</sub> figures.



Tow bar

# WHEELS, TRIM & BODY COLOURS

## 1. 15" steel wheels

Standard on Active with  
75 hp engine



## 2. 16" steel wheels

Standard on Active with  
100 hp engine



## 3. 16" steel wheels with wheel caps (5-triple-spoke)

Standard on Icon



Dark grey fabric





EWP Vivid White



EVL Falcon Grey\*



EXY Storm Black




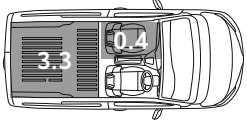
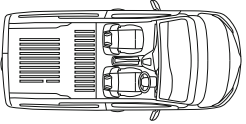

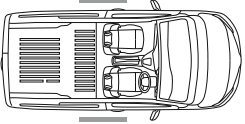

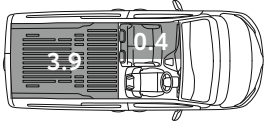
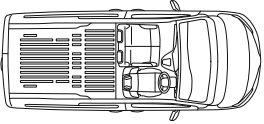
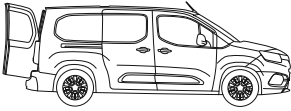
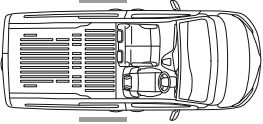
KCA Silver Shadow\*



EJG Night Blue\*

\* Metallic paint.

# SPECIFICATIONS

MODEL AVAILABILITY	2/3 SEATS LOAD CAPACITY (m <sup>3</sup> ) (Smart Cargo + 0.4m <sup>3</sup> )	2/3 FRONT SEATS	REAR SWING OUT DOOR	SIDE DOOR 2-SIDES
 <p>SHORT WHEELBASE</p>				
 <p>LONG WHEELBASE</p>				



ENVIRONMENTAL PERFORMANCE	Diesel	Diesel
	1.5 Diesel (75 hp) Manual	1.5 Diesel (100 hp) Manual
CO <sub>2</sub> combined WLTP (g/km)	145	148–150
Fuel economy – combined max WLTP (mpg)	49.5–51.3	46.3–50.4
Combined CO <sub>2</sub> (g/km)	109	108
Urban CO <sub>2</sub> (g/km)	118	116
Extra urban CO <sub>2</sub> (g/km)	104	103/104
Fuel tank capacity (l)		53
Euro class	EURO 6 AN	EURO 6 AN
Carbon monoxide, CO (mg/km)	66.1	67.5
Hydrocarbons, THC & Nitrogen Oxides, NO <sub>x</sub> (mg/km)	50.9	45.3
Nitrogen Oxides, NO <sub>x</sub> (mg/km)	28.5	22.9
Sound level drive by (dB(A))	68	68

**Quoted mpg and CO<sub>2</sub>:** Figures are provided for comparability purposes; only compare fuel consumption and CO<sub>2</sub> figures with other cars tested to the same technical procedures. These figures may not reflect real-life driving results. All vehicles are certified according to the World Harmonised Light Vehicle Test Procedure (WLTP). CO<sub>2</sub> figures (and hence car tax and recommended 'on the road' prices) may differ from information printed before 1 April 2020, due to a change in the official method of calculation. This date may change, please visit [www.vehicle-certification-agency.gov.uk/fcb/wltp.asp](http://www.vehicle-certification-agency.gov.uk/fcb/wltp.asp) for the latest information. Please contact your local Toyota Centre for further information.

## ENGINE

Engine code		5WZ-TV
Number of cylinders	4, in line	4, in line
Fuel injection system	Common rail, diesel direct injection	Common rail, diesel direct injection
Displacement (cc)	1499	1499
Bore x stroke (mm x mm)	75.0 x 84.8	75.0 x 84.8
Maximum output (kW@rpm)	75/3500	75/3500
Maximum output (DIN hp)	75	100
Maximum torque (Nm@rpm)	230/1750	250/1750

# SPECIFICATIONS

TRANSMISSION	Diesel	Diesel
	1.5 Diesel (75 hp) Manual	1.5 Diesel (100 hp) Manual
Transmission type	Manual	Manual
Gear 1	0.289	0.289
Gear 2	0.535	0.535
Gear 3	0.897	0.897
Gear 4	1.314	1.314
Gear 5	1.741	1.741

## PERFORMANCE

Maximum speed (mph)	94	106
Acceleration 0–62 (mph) (sec).	15.8	11.5

## SUSPENSION

Front	Pseudo MacPherson	Pseudo MacPherson
Rear	Deformable crossbeam	Deformable crossbeam

## BRAKES

Front	Ventilated disc	Ventilated disc
Rear	Disc	Disc



**EXTERIOR DIMENSIONS****Short Panel Van****Long Panel Van**

Exterior length (mm)	4403	4753
Exterior width (mm)	1848	1848
Exterior height (mm)	1880	1880
Front tread (mm)	1548	1553
Rear tread (mm)	1568	1549
Overhang front (mm)	892	892
Overhang rear (mm)	726	886
Wheelbase (mm)	2785	2975

**INTERIOR DIMENSIONS****Diesel****1.5 Diesel (75 hp) Manual****Diesel****1.5 Diesel (100 hp) Manual**

Number of seats	2/3	3
Interior length (mm)	3090	3440
Interior width (mm)	1229	1229
Interior height (mm)	1200	1200

# SPECIFICATIONS

## LUGGAGE VOLUME

### Short Panel Van

### Long Panel Van

Deck length (mm)	1817	2167
Deck width (mm)	1527	1527
Deck height (mm)	1200	1200
Load volume with Smart Cargo (2 seats, m <sup>3</sup> )	3.8	4.4
Loading length with Smart Cargo (2 seats, mm)	3090	3440
Load volume (m <sup>3</sup> )	3.3	3.9

## OFF ROAD

### Short Panel Van

### Long Panel Van

Min. running ground clearance (mm)	145/160	160
------------------------------------	---------	-----

## WEIGHTS & TOWING CAPACITY

### Diesel

### 1.5 Diesel (75 hp) Manual

### Diesel

### 1.5 Diesel (100 hp) Manual

Gross train weight – total (kg)	3200	3345 <sup>*</sup> /3365 <sup>§</sup> /3375 <sup>°</sup>
Gross vehicle weight – total (kg)	1970	2345 <sup>*</sup> / 2365 <sup>§</sup> /2375 <sup>°</sup>
Kerb weight / unladen weight (kg)	1320–1549 <sup>**</sup> /1320–1551 <sup>§§</sup>	1347–1569 <sup>*</sup> /1367–1587 <sup>§</sup> /423–1614 <sup>°</sup>
Payload (kg)	650	950
Maximum trailer weight – braked (kg)	1230	1000
Maximum trailer weight – unbraked (kg)	690	710/720/740
Gross vehicle weight – front (kg)	1110	1200
Gross vehicle weight – rear (kg)	1075	1400



## WHEELS

Active

Icon

15" steel wheels	● <sup>00</sup>	–
16" steel wheels	● <sup>***</sup>	–
16" Black steel wheels with wheel caps (5-triple-spoke)	–	●
Full size temporary spare wheel	●	●

● = Standard    ○ = Optional

– = Not available

\* Standard L1 100 hp vehicle.

§ With Smart Cargo (so all Icon and optional on Active).

‡ L2 vehicles.

\*\* Vehicles with Smart Cargo.

§§ Vehicles without Smart Cargo.

<sup>00</sup> Not available on Active 2WD Short Panel Van 1.5 Diesel (75 hp) Manual.

\*\*\* Not available on Active 2WD Short Panel Van 1.5 Diesel (100 hp) Manual.



1548 / 1553 mm

1848 mm



1796 / 1880 / 1812 mm



726 / 886 mm

2785 / 2975 mm

892 mm

4403 / 4753 mm



1568 / 1549 mm

1848 mm

# EQUIPMENT

## EXTERIOR STYLING

### Active

### Icon

Black door handles	●	●
Black door mirrors	●	●
Black front bumper	●	●
Black rear bumper	●	●
Black upper front grille	●	●
Body-coloured rail cover on side sliding doors	–	●*
Privacy Glass – 30% (Smoke tint)	●	●

## EXTERIOR COMFORT

### Active

### Icon

180° opening on rear wing doors	●	●
Auto headlights	●	●
Auto wipers	–	●
Power-adjustable door mirrors	●	●
Electrically heated door mirrors	●	●
Manually retractable door mirrors	●	–
Panel rear wing doors (180° opening)	●	●
Power-retractable door mirrors	–	●
Two sliding side doors	●	●

## INTERIOR STYLING

### Active

### Icon

Electronic parking brake	–	●
Open tray on passenger dashboard	●	●

**INTERIOR COMFORT****Active****Icon**

Manual air conditioning	●	●
2-seater front passenger bench	–	●
Anti-jam protection on power windows	●	●
Audio switches on steering wheel	–	●
Boot light	●	●
Driver & front passenger personal lights	●	●
Dynamic guide lines on reversing camera	–	●
Front power windows	●	●
Individual front passenger seat	●	–
Manually height-adjustable driver seat	–	●
Manually reclining front passenger seat	–	●
Manually sliding front passenger seat	–	●
Mirror on driver sun visor	●	●
Pollen air filter	●	●
Electric front windows – one touch auto up & down function	●	●
Monochrome TFT information display	●	●

**STORAGE****Active****Icon**

0.5 litre bottle holder	●	●
Front bottle holders	●	●
Smart Cargo	–	●
In-floor storage box	●	●
Rubber floor in cargo area	●	●
Smart Cargo – mobile office	–	●

● = Standard    ○ = Optional    – = Not available

\* Not available on Icon 2WD Short Panel Van 1.5 Diesel (75 hp) Manual, Icon 2WD Short Panel Van 1.5 Diesel (100 hp) Manual.



# EQUIPMENT

## MULTIMEDIA

### Active

### Icon

2 speakers	●	●
Bluetooth® connectivity	●	●
Digital Audio Broadcasting (DAB)	●	●
Radio player	●	●
USB connector	●	–
USB connectors (2)	–	●
Smartphone Integration incl Apple CarPlay™ & Android Auto™	–	●
MyT Connected Services	●	●

## SAFETY

### Active

### Icon

Front parking sensors	–	●
Rear parking sensors	–	●
Reversing camera	–	●
Adjustable Speed Limiter (ASL)	–	●
Anti-lock Braking System (ABS) with Electronic Brake force Distribution (EBD)	●	●
Brake Assist (BA)	●	●
Cruise control	–	●
Daytime running lights	●	●
Downhill Assist Control (DAC)	●	●

<b>SAFETY</b>	<b>Active</b>	<b>Icon</b>
eCall emergency call system	●	●
Front fog lights	–	●
Hill-start Assist Control (HAC)	●	●
Tyre Pressure Warning System (TPWS)	●	●
Vehicle Stability Control (VSC)	●	●
Supplemental Restraint System (SRS) airbags – 2 airbags	●	●
Panel bulkhead	●	●

<b>PERFORMANCE, TRANSPORT &amp; PROTECTION</b>	<b>Active</b>	<b>Icon</b>
Inner load-hooks on cargo deck (6)	●	●
Payload – 650 kg	●*	● <sup>§</sup>
Payload – 950 kg	● <sup>°</sup>	● <sup>°</sup>

<b>PACKS</b>	<b>Active</b>	<b>Icon</b>
Rubber floor mats (front)	○	○
Seat covers	○	–
Seat covers	–	○

● = Standard    ○ = Optional    – = Not available    \* Not available on Active 2WD Short Panel Van 1.5 Diesel (100 hp) Manual.

<sup>§</sup> Not available on Icon 2WD Short Panel Van 1.5 Diesel (100 hp) Manual, Icon 2WD Long Panel Van 1.5 Diesel (100 hp) Manual.

<sup>°</sup> Not available on Active 2WD Short Panel Van 1.5 Diesel (75 hp) Manual.

# TOYOTA PROFESSIONAL

Toyota know that your business is more than just a business, which is why we have created a range of commercial vehicles you can trust. Choose from our new compact PROACE CITY, PROACE, Land Cruiser Commercial or the legendary Hilux and put your business in safe hands. Our dedicated Toyota Professional Centres are on hand to keep you moving. With highly trained technicians and a comprehensive range of services built around you, Toyota Professional offers you the back-up you need for total peace of mind.



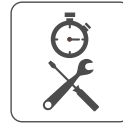
## 5-YEAR WARRANTY

We are so confident with the quality of our commercial vehicles that we offer a 5-year warranty as standard.



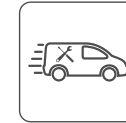
## SERVICE AT YOUR CONVENIENCE

To help you plan your time efficiently, we will offer you a service slot within 7 days of requesting one.



## MOBILE OFFICE

Should you need to bring your van in for a service, we have all the facilities on hand to make your visit a productive one, with free wi-fi, coffee, and a free wash and vac to top it all off.



## FIVE YEARS' ROADSIDE ASSISTANCE

It's reassuring to know that you are never alone: we provide 5 years' free roadside assistance as standard on all of our new commercial vehicles.



# YOUR COMPLETE PEACE OF MIND WITH TOYOTA

## QUALITY SERVICE

Your Toyota will need a service at least once every 2 years/25,000 km (whichever comes sooner)\*.

## LOW MAINTENANCE COSTS

All Toyota vehicles are designed and engineered to minimise your maintenance costs.

## GENUINE PARTS

Providing the reassurance of Toyota quality, only genuine and approved components are used on your vehicle.

## ADDED SECURITY

Toyota's comprehensive security system withstands the insurance industry's rigorous 5-minute attack test.

## GENUINE ACCESSORIES

Toyota accessories are designed and manufactured with the same care, quality and attention to detail as Toyota vehicles. All accessories are covered by a 3-year warranty when purchased together with the vehicle<sup>§</sup>.

For more information on peace of mind visit:  
[www.toyota.co.uk/business-customers/toyota-professional](http://www.toyota.co.uk/business-customers/toyota-professional)

\* Check with your retailer for specific service intervals. <sup>§</sup> Check with your retailer for specific warranty details.

# IT IS NOT JUST A PROACE CITY IT IS A TOYOTA.

[www.toyota.co.uk/new-cars/proace-city](http://www.toyota.co.uk/new-cars/proace-city)

While every effort is made to reproduce accurate information, we reserve the right to change specifications, equipment and availability without prior notice. This brochure cannot be regarded as infallible (some of the vehicles shown may not be to exact UK specification), and as such does not constitute an offer for sale of any particular vehicle or specification.

For the latest specification and availability, we ask that you contact your local Toyota Centre. Vehicle body colours may differ slightly from the printed images in this brochure.

**Quoted mpg and CO<sub>2</sub>:** Figures are provided for comparability purposes; only compare fuel consumption and CO<sub>2</sub> figures with other cars tested to the same technical procedures. These figures may not reflect real-life driving results. Fuel consumption and CO<sub>2</sub> produced varies significantly depending on a number of factors, including the accessories fitted (post-registration), driving style, conditions, speed and vehicle load.

All models and grades are certified according to the World Harmonised Light Vehicle Test Procedure (WLTP). All mpg and CO<sub>2</sub> figures quoted are full WLTP figures.

The official CO<sub>2</sub> figures for vehicles changed as from 1 April 2020, due to a change in the official method of calculation. CO<sub>2</sub> figures are used in the calculation of Vehicle Excise Duty (car tax) for new cars during their first year of registration. As a result, all CO<sub>2</sub> figures, car tax and 'on the road' prices for new vehicles, which were provided or displayed prior to 1 April 2020, may now have changed for vehicles which were not registered before that date. These dates may change, please visit [www.vehicle-certification-agency.gov.uk/fcb/wltp.asp](http://www.vehicle-certification-agency.gov.uk/fcb/wltp.asp) for the latest information.

Please contact your local Toyota Centre for further information.

The use of the term 'Toyota Accessories' should not be taken to imply that the products on the accessory pages are actually manufactured by the Toyota Motor Corporation or Toyota (GB) PLC. Toyota (GB) PLC is continually updating and changing specifications of accessories and reserves the right to do so at any time without prior notice.

© 2020 by Toyota Motor Europe NV/SA ('TME'). No part of this publication may in any way be reproduced without the prior written approval of Toyota (GB) PLC.



**Toyota**  
Professional



ToyotaUK



@ToyotaGB

GBNGV-0120B-PC May 2020