



# The C-Class

Saloon and Estate

Effective from July 2021 Production.

Mercedes-Benz





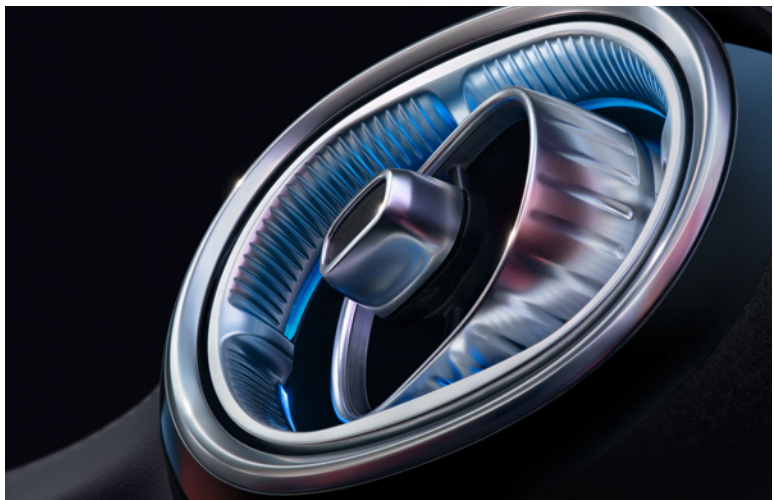
Book a test drive



Buy your C-Class



Find a Retailer



Design	Technology	Model lines	Upholstery	Model prices	Personalisation	Standard equipment	Genuine accessories	Technical data	Additional information
--------	------------	-------------	------------	--------------	-----------------	--------------------	---------------------	----------------	------------------------



Book a test drive



Buy your C-Class



Find a Retailer



Some of the model features, optional extras and colours shown may not be available, or may only be available in a different specification, or at a different price.

Design	Technology	Model lines	Upholstery	Model prices	Personalisation	Standard equipment	Genuine accessories	Technical data	Additional information
--------	------------	-------------	------------	--------------	-----------------	--------------------	---------------------	----------------	------------------------



Book a test drive



Buy your C-Class



Find a Retailer



Some of the model features, optional extras and colours shown may not be available, or may only be available in a different specification, or at a different price.

Design	Technology	Model lines	Upholstery	Model prices	Personalisation	Standard equipment	Genuine accessories	Technical data	Additional information
--------	------------	-------------	------------	--------------	-----------------	--------------------	---------------------	----------------	------------------------



Book a test drive



Buy your C-Class



Find a Retailer



Some of the model features, optional extras and colours shown may not be available, or may only be available in a different specification, or at a different price.

Design	Technology	Model lines	Upholstery	Model prices	Personalisation	Standard equipment	Genuine accessories	Technical data	Additional information
--------	------------	-------------	------------	--------------	-----------------	--------------------	---------------------	----------------	------------------------



Book a test drive



Buy your C-Class



Find a Retailer



Design	Technology	Model lines	Upholstery	Model prices	Personalisation	Standard equipment	Genuine accessories	Technical data	Additional information
--------	------------	-------------	------------	--------------	-----------------	--------------------	---------------------	----------------	------------------------



Book a test drive



Buy your C-Class



Find a Retailer



Some of the model features, optional extras and colours shown may not be available, or may only be available in a different specification, or at a different price.

Design	Technology	Model lines	Upholstery	Model prices	Personalisation	Standard equipment	Genuine accessories	Technical data	Additional information
--------	------------	-------------	------------	--------------	-----------------	--------------------	---------------------	----------------	------------------------



Book a test drive



Buy your C-Class



Find a Retailer



Some of the model features, optional extras and colours shown may not be available, or may only be available in a different specification, or at a different price.

Design	Technology	Model lines	Upholstery	Model prices	Personalisation	Standard equipment	Genuine accessories	Technical data	Additional information
--------	------------	-------------	------------	--------------	-----------------	--------------------	---------------------	----------------	------------------------





Book a test drive



Buy your C-Class



Find a Retailer

C-Class

# Technology



<a href="#">Design</a>	<a href="#">Technology</a>	<a href="#">Model lines</a>	<a href="#">Upholstery</a>	<a href="#">Model prices</a>	<a href="#">Personalisation</a>	<a href="#">Standard equipment</a>	<a href="#">Genuine accessories</a>	<a href="#">Technical data</a>	<a href="#">Additional information</a>
------------------------	----------------------------	-----------------------------	----------------------------	------------------------------	---------------------------------	------------------------------------	-------------------------------------	--------------------------------	--



Book a test drive



Buy your C-Class



Find a Retailer

# Mercedes-Benz User Experience (MBUX)

Transforming the in-car user experience, thanks to MBUX: Controlled via voice or touch input, the innovative infotainment system can over time even predict personal habits thanks to artificial intelligence.



## Voice control

- Activated by the keywords “Hey Mercedes”, the new intelligent voice control LINGUATRONIC<sup>1</sup> lets you control many of the infotainment functions, including destination input, phone calls or music selection
- MBUX is able to understand different accents and will adjust to you over time
- MBUX even understands indirect commands. Feeling chilly? Just say “I feel cold” and MBUX will adjust the temperature for you

## Personalisation

- Turn the new C-Class into your very own Mercedes-Benz by personalising driving modes, radio stations and much more
- Your personal settings can be saved in up to seven different profiles, making your driving experience the best one possible
- Thanks to artificial intelligence, MBUX is able to learn and adapt over time. It will be able to predict your personal habits, such as navigation for frequently-driven routes, or the radio station you like to listen to on your way home from work

## Touch inputs

- Beside voice control you can operate MBUX via touchscreen, the touchpad on the centre console, as well as touch control buttons on the steering wheel
- The touchpad recognises your handwriting should you wish to enter addresses or phone numbers silently

## Maintenance and service

- Wondering when the next service is due? Or how much further you can drive until you need to stop at a petrol station? Just ask your MBUX – it will tell you the answer

<sup>1</sup>LINGUATRONIC off-board functions are currently only available for three years

Design	Technology	Model lines	Upholstery	Model prices	Personalisation	Standard equipment	Genuine accessories	Technical data	Additional information
--------	------------	-------------	------------	--------------	-----------------	--------------------	---------------------	----------------	------------------------



Book a test drive



Buy your C-Class



Find a Retailer

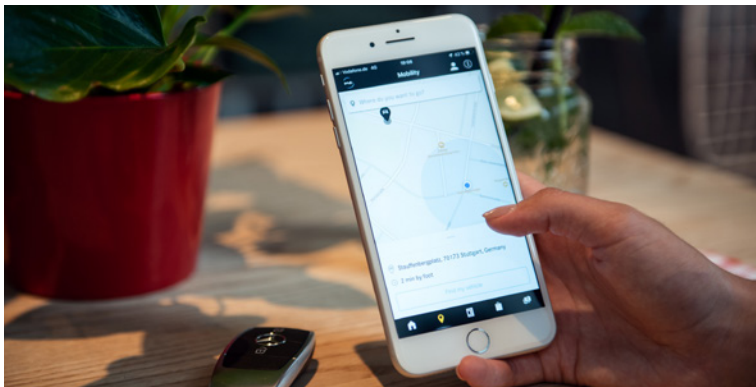
# Mercedes me connect Stay connected any time, anywhere.

# Mercedes *me*

Mercedes me is a range of innovative online services designed to enhance your Mercedes-Benz experience. Accessible via mobile, tablet or PC, Mercedes me lets you enjoy the highest standards of care and support, in a way that integrates seamlessly with your busy lifestyle.

### Safety and Service – Mercedes me connect helps to keep you and your car safe

Check your car's oil level, tyre pressure and fuel from your phone so you'll be ready for every journey.



### Infotainment – Online and Entertainment services from Mercedes me connect

Love music? Get a 3-month free subscription to Tidal when you connect your car.

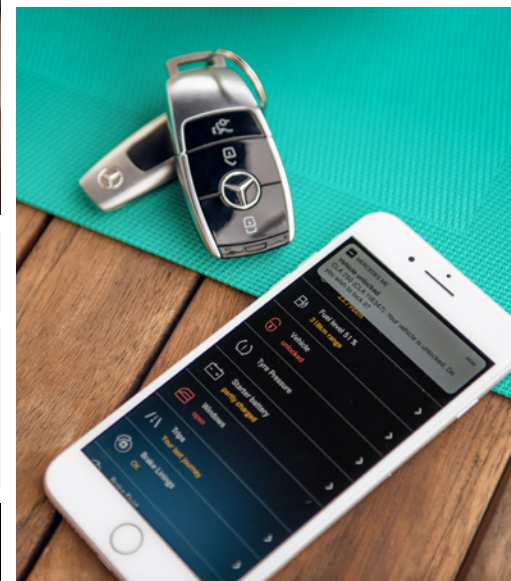
### Live Traffic Information, Parked Vehicle Locator and much more with Mercedes me connect

Forgot where you've parked? Parked Vehicle Locator<sup>1</sup> will show you exactly where your car is as long as you're in a 1-mile radius of where you parked. Real-time traffic data and dynamic route with shorter journey times.

For more information speak to your local Retailer or visit the Mercedes me connect store at [shop.mercedes-benz.com/en-gb/connect](http://shop.mercedes-benz.com/en-gb/connect)

### Comfort – connect to your car anytime, anywhere

Forgot to lock your car? With Remote Car Lock<sup>2</sup> you will receive a notification on your smartphone to let you know. With one tap, you can lock and unlock your vehicle so you never have to worry.



<sup>1</sup>Available on all models with the Vehicle Monitoring package. This option may vary between standard and additional cost dependent on the model

<sup>2</sup>Part of the Vehicle Status package. This option may vary between standard and additional cost dependent on the model

Images shown are for illustration purposes only

Design	Technology	Model lines	Upholstery	Model prices	Personalisation	Standard equipment	Genuine accessories	Technical data	Additional information
--------	------------	-------------	------------	--------------	-----------------	--------------------	---------------------	----------------	------------------------



Book a test drive



Buy your C-Class



Find a Retailer

# C-Class Model lines overview

**Sport »**



**AMG Line Premium »**



**AMG Line »**



**AMG Line Premium Plus »**



Design	Technology	Model lines	Upholstery	Model prices	Personalisation	Standard equipment	Genuine accessories	Technical data	Additional information
--------	------------	-------------	------------	--------------	-----------------	--------------------	---------------------	----------------	------------------------

# C-Class Sport Standard equipment highlights



Option shown: cavansite blue metallic (code 890)



Option shown: cavansite blue metallic (code 890)

## Exterior

17" alloy wheels – 5-spoke design, painted black with a high-sheen finish (code R69)

Adaptive Highbeam Assist

AGILITY CONTROL suspension, lowered by 15mm with selective damping

Cruise control

DYNAMIC SELECT

Exhaust pipes – non-visible exhaust pipes

Front bumper with dynamic design with chrome trims and air intakes in black

LED High Performance headlamps

Powerdomes on bonnet

Rear bumper painted in vehicle colour with centrally positioned trim (wing) in mirror chrome

Windscreen wipers with rain sensor



Saloon OTR from **£38,785<sup>2</sup>**

Estate OTR from **£40,420<sup>2</sup>**

<sup>2</sup>The recommended on-the-road price includes the Road Fund Licence applicable to the standard model plus delivery charge (£715.00 incl. VAT), new vehicle registration fee (£55.00) and number plates (£25.00 incl. VAT). VAT is calculated at the standard rate of 20%. Some of the model features, optional extras and colours shown may not be available, or may only be available in a different specification, or at a different price



**Interior**

Dashboard in black

Double cupholder

Floor mats – velour

KEYLESS-GO starting function

Interior Lighting package – lighting of footwells, door handle recesses, as well as rear reading lamps (LED) and courtesy lamps in all doors

Load compartment cover including EASY-PACK safety net (Estate models only)

Mirror package

Seat Comfort package – driver and front passenger seat. Electro-pneumatic four-way lumbar support and manual seat cushion depth adjustment (6 cm)

Seats – folding rear seat backrest

Seats – four-way lumbar support

Seats – heated front seats

Stowage Space package

THERMATIC automatic climate control with two climate zones

**Communications, Safety and Assistance Systems**

11.9-inch high-resolution multimedia colour display

12.3-inch digital instrument cluster display

Active Blind Spot Assist

Active Lane-Keeping Assist

Fingerprint sensor

MBUX extended functions

MBUX multimedia system

MBUX Navigation Premium

Parking package with reversing camera

Smartphone integration<sup>1</sup>

URBAN GUARD vehicle protection (Thatcham Category 1)

USB package – two USB-C ports under the front centre armrest, suitable for data transfer

Wireless charging<sup>1</sup> system for mobile devices in the front

<sup>1</sup>Compatible mobile phone required



**Trim and Upholstery**

Silver grey diamond pattern trim

Leather – black



# C-Class AMG Line Standard equipment highlights

Option shown: spectral blue metallic (code 970)



Option shown: spectral blue metallic (code 970)



In addition to/replacement of Sport:

**Engine, Transmission and Suspension**

Sports suspension with selective damping system, lowered by 15 mm including Sports Direct Steer system

**Exterior**

18" AMG alloy wheels – 5-spoke design, aerodynamically optimised, painted tantalite grey with a high-sheen finish (code RSJ)

AMG front bumper with sporty air intakes and chrome elements

AMG rear bumper with high-gloss chrome elements

Braking system with larger brake discs on the front axle

Exhaust pipes – two visible exhaust pipes integrated into rear bumper

LED High Performance headlamps

Privacy glass

Radiator grille with Mercedes-Benz pattern and integral Mercedes star as well as louvre in matte iridium silver with chrome inserts



Saloon OTR from **£40,165<sup>1</sup>**  
 Estate OTR from **£41,800<sup>1</sup>**  
 Upgrade price from Sport **£1,380**

<sup>1</sup>The recommended on-the-road price includes the Road Fund Licence applicable to the standard model plus delivery charge (£715.00 incl. VAT), new vehicle registration fee (£55.00) and number plates (£25.00 incl. VAT). VAT is calculated at the standard rate of 20%. Some of the model features, optional extras and colours shown may not be available, or may only be available in a different specification, or at a different price

Design	Technology	Model lines	Upholstery	Model prices	Personalisation	Standard equipment	Genuine accessories	Technical data	Additional information
--------	------------	-------------	------------	--------------	-----------------	--------------------	---------------------	----------------	------------------------



No-cost option shown: sienna brown/black leather (code 204A)



Multifunction sports steering wheel in nappa leather and metal-weave trim

### Interior

AMG floor mats

Dashboard in ARTICO man-made leather

Sports pedals in brushed stainless steel with rubber studs

Multifunction sports steering wheel in nappa leather

### Trim and Upholstery

Metal-weave trim



Leather - black





# C-Class AMG Line Premium Standard equipment highlights



Option shown: spectral blue metallic (code 970)



Option shown: designo selenite grey magno (code 297)

In addition to/replacement of AMG Line:

#### Exterior

19" AMG alloy wheels – multi-spoke design, painted himalayas grey with a high-sheen finish (code RVA)

Adaptive Highbeam Assist Plus

DIGITAL LIGHT



19" AMG alloy wheels

Saloon OTR from **£43,250<sup>1</sup>**  
Estate OTR from **£44,550<sup>1</sup>**  
Upgrade price from AMG Line **£3,085**

<sup>1</sup>The recommended on-the-road price includes the Road Fund Licence applicable to the standard model plus delivery charge (£715.00 incl. VAT), new vehicle registration fee (£55.00) and number plates (£25.00 incl. VAT). VAT is calculated at the standard rate of 20%. Some of the model features, optional extras and colours shown may not be available, or may only be available in a different specification, or at a different price



MBUX augmented reality for navigation

### Interior

Ambient lighting

Illuminated door sills

KEYLESS-GO - Keyless comfort access

Memory package - driver's seat, front passenger seat, steering column and exterior mirrors electrically adjustable with memory

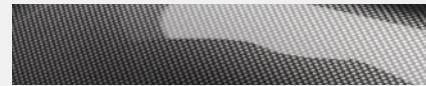
### Communications, Safety and Assistance Systems

MBUX augmented reality for navigation

Parking package with 360° camera

### Trim and Upholstery

Metal-weave trim



Leather - black



# C-Class AMG Line Premium Plus Standard equipment highlights

Option shown: designo opalite white bright (code 885)



Option shown: high-tech silver (code 922U)



In addition to/replacement of AMG Line Premium:

### Exterior

19" AMG alloy wheels – 5-double-spoke design, aerodynamically optimised, painted black with a high-sheen finish (code RVD)

Panoramic sliding sunroof

Panoramic sliding sunroof



19" AMG alloy wheels

Saloon OTR from **£46,700<sup>1</sup>**

Estate OTR from **£48,000<sup>1</sup>**

Upgrade price from AMG Line Premium **£3,450**

<sup>1</sup>The recommended on-the-road price includes the Road Fund Licence applicable to the standard model plus delivery charge (£715.00 incl. VAT), new vehicle registration fee (£55.00) and number plates (£25.00 incl. VAT). VAT is calculated at the standard rate of 20%. Some of the model features, optional extras and colours shown may not be available, or may only be available in a different specification, or at a different price



Head-up display

### Interior

Head-up display

THERMOTRONIC automatic climate control with four climate zones

### Trim and Upholstery

Anthracite line structure lime wood trim



Leather - black



THERMOTRONIC automatic climate control

[Book a test drive](#)[Buy your C-Class](#)[Find a Retailer](#)

# Upholstery

● Standard   □ No-cost option   – Not available



**201A leather<sup>1</sup> – black**

Sport	●
AMG Line	–
AMG Line Premium	–
AMG Line Premium Plus	–



**204A leather<sup>1</sup> – sienna brown/black**

Sport	□
AMG Line	–
AMG Line Premium	–
AMG Line Premium Plus	–



**205A leather<sup>1</sup> – macchiato beige/black**

Sport	□
AMG Line	–
AMG Line Premium	–
AMG Line Premium Plus	–

<sup>1</sup>At least 80% of the seat upholstery is pure leather, while up to 20% may consist of man-made leather

[Book a test drive](#)[Buy your C-Class](#)[Find a Retailer](#)

# Upholstery

Standard
  No-cost option
  Not available

**211A leather<sup>1</sup> - black**

Sport	–
AMG Line	●
AMG Line Premium	●
AMG Line Premium Plus	●

**294A leather<sup>1</sup> - sienna brown/black**

Sport	–
AMG Line	□
AMG Line Premium	□
AMG Line Premium Plus	□

**297A leather<sup>1</sup> - power red/black**

Sport	–
AMG Line	□
AMG Line Premium	□
AMG Line Premium Plus	□

<sup>1</sup>At least 80% of the seat upholstery is pure leather, while up to 20% may consist of man-made leather

[Book a test drive](#)[Buy your C-Class](#)[Find a Retailer](#)

# Model prices Saloon

Model line	Engine	Transmission	CO <sub>2</sub> WLTP <sup>1*</sup>	Basic RRP excl. VAT (€)	Total RRP incl. VAT (€)	Road Fund Licence (€) <sup>2</sup> WLTP	Rec. OTR price (€) <sup>3</sup> WLTP	P11D value (€)	BiK tax rate 2021/22 (%) <sup>2</sup>
<b>Sport</b>									
C220 d	Diesel – 1,993 cc, 4-cylinder, 200 hp/147 kW	9G-TRONIC PLUS 9-speed auto.	120	33,183.33	39,820.00	170.00	<b>40,785.00</b>	40,560.00	28
C200	Petrol – 1,496 cc, 4-cylinder, 204 hp/150 kW	9G-TRONIC PLUS 9-speed auto.	146	31,483.33	37,780.00	210.00	<b>38,785.00</b>	38,520.00	33
<b>AMG Line</b>									
C220 d	Diesel – 1,993 cc, 4-cylinder, 200 hp/147 kW	9G-TRONIC PLUS 9-speed auto.	120	34,333.33	41,200.00	170.00	<b>42,165.00</b>	41,940.00	28
C300 d	Diesel – 1,993 cc, 4-cylinder, 265 hp/195 kW	9G-TRONIC PLUS 9-speed auto.	133	37,433.33	44,920.00	210.00	<b>45,925.00</b>	45,660.00	30
C200	Petrol – 1,496 cc, 4-cylinder, 204 hp/150 kW	9G-TRONIC PLUS 9-speed auto.	146	32,633.33	39,160.00	210.00	<b>40,165.00</b>	39,900.00	33
C300	Petrol – 1,999 cc, 4-cylinder, 258 hp/190 kW	9G-TRONIC PLUS 9-speed auto.	152	35,133.33	42,160.00	545.00	<b>43,500.00</b>	42,900.00	35
<b>AMG Line Premium</b>									
C220 d	Diesel – 1,993 cc, 4-cylinder, 200 hp/147 kW	9G-TRONIC PLUS 9-speed auto.	125	36,625.00	43,950.00	170.00	<b>44,915.00</b>	44,690.00	29
C300 d	Diesel – 1,993 cc, 4-cylinder, 265 hp/195 kW	9G-TRONIC PLUS 9-speed auto.	138	39,725.00	47,670.00	210.00	<b>48,675.00</b>	48,410.00	31
C200	Petrol – 1,496 cc, 4-cylinder, 204 hp/150 kW	9G-TRONIC PLUS 9-speed auto.	153	34,925.00	41,910.00	545.00	<b>43,250.00</b>	42,650.00	35
C300	Petrol – 1,999 cc, 4-cylinder, 258 hp/190 kW	9G-TRONIC PLUS 9-speed auto.	158	37,425.00	44,910.00	545.00	<b>46,250.00</b>	45,650.00	35
<b>AMG Line Premium Plus</b>									
C220 d	Diesel – 1,993 cc, 4-cylinder, 200 hp/147 kW	9G-TRONIC PLUS 9-speed auto.	127	39,500.00	47,400.00	170.00	<b>48,365.00</b>	48,140.00	29
C300 d	Diesel – 1,993 cc, 4-cylinder, 265 hp/195 kW	9G-TRONIC PLUS 9-speed auto.	139	42,600.00	51,120.00	210.00	<b>52,125.00</b>	51,860.00	31
C200	Petrol – 1,496 cc, 4-cylinder, 204 hp/150 kW	9G-TRONIC PLUS 9-speed auto.	154	37,800.00	45,360.00	545.00	<b>46,700.00</b>	46,100.00	35
C300	Petrol – 1,999 cc, 4-cylinder, 258 hp/190 kW	9G-TRONIC PLUS 9-speed auto.	159	40,300.00	48,360.00	545.00	<b>49,700.00</b>	49,100.00	35

<sup>1</sup>The indicated values were determined according to the prescribed measurement method - Worldwide Harmonised Light Vehicle Test Procedure (WLTP). Figures shown may include options which are not available in the UK. <sup>2</sup>Figures shown are for comparability purposes; only compare with other cars tested to the same technical procedures. Figures may not reflect real life driving results, which will depend upon a number of factors including factory-fitted options, accessories fitted (post registration), variations in weather, driving styles and vehicle load. Further information about the test used to establish fuel consumption and CO<sub>2</sub> figures can be found at <http://www.mercedes-benz.co.uk/WLTP> <sup>3</sup>A different first year rate of Vehicle Excise Duty (Road Fund Licence) applies for new cars. Please refer to page 40 for the relevant rate for the second and subsequent years <sup>4</sup>The recommended on-the-road price includes the Road Fund Licence applicable to the standard model plus delivery charge (£715.00 incl. VAT), new vehicle registration fee (£55.00) and number plates (£25.00 incl. VAT). VAT is calculated at the standard rate of 20%. Some of the model features, optional extras and colours shown may not be available, or may only be available in a different specification, or at a different price

Design	Technology	Model lines	Upholstery	Model prices	Personalisation	Standard equipment	Genuine accessories	Technical data	Additional information
--------	------------	-------------	------------	--------------	-----------------	--------------------	---------------------	----------------	------------------------

[Book a test drive](#)[Buy your C-Class](#)[Find a Retailer](#)

# Model prices Estate

Model line	Engine	Transmission	CO <sub>2</sub> WLTP <sup>1*</sup>	Basic RRP excl. VAT (£)	Total RRP incl. VAT (£)	Road Fund Licence (£) <sup>2</sup> WLTP	Rec. OTR price (£) <sup>3</sup> WLTP	P11D value (£)	BiK tax rate 2021/22 (%) <sup>2</sup>
<b>Sport</b>									
C220 d	Diesel – 1,993 cc, 4-cylinder, 200 hp/147 kW	9G-TRONIC PLUS 9-speed auto.	124	34,266.67	41,120.00	170.00	<b>42,085.00</b>	41,860.00	28
C200	Petrol – 1,496 cc, 4-cylinder, 184 hp/135 kW	9G-TRONIC PLUS 9-speed auto.	151	32,566.67	39,080.00	545.00	<b>40,420.00</b>	39,820.00	35
<b>AMG Line</b>									
C220 d	Diesel – 1,993 cc, 4-cylinder, 200 hp/147 kW	9G-TRONIC PLUS 9-speed auto.	124	35,416.67	42,500.00	170.00	<b>43,465.00</b>	43,240.00	28
C300 d	Diesel – 1,993 cc, 4-cylinder, 265 hp/195 kW	9G-TRONIC PLUS 9-speed auto.	136	38,516.67	46,220.00	210.00	<b>47,225.00</b>	46,960.00	31
C200	Petrol – 1,496 cc, 4-cylinder, 200 hp/150 kW	9G-TRONIC PLUS 9-speed auto.	151	33,716.67	40,460.00	545.00	<b>41,800.00</b>	41,200.00	35
<b>AMG Line Premium</b>									
C220 d	Diesel – 1,993 cc, 4-cylinder, 200 hp/147 kW	9G-TRONIC PLUS 9-speed auto.	129	37,708.33	45,250.00	170.00	<b>46,215.00</b>	45,990.00	29
C300 d	Diesel – 1,993 cc, 4-cylinder, 265 hp/195 kW	9G-TRONIC PLUS 9-speed auto.	141	40,808.33	48,970.00	210.00	<b>49,975.00</b>	49,710.00	32
C200	Petrol – 1,496 cc, 4-cylinder, 200 hp/150 kW	9G-TRONIC PLUS 9-speed auto.	157	36,008.33	43,210.00	545.00	<b>44,550.00</b>	43,950.00	35
<b>AMG Line Premium Plus</b>									
C220 d	Diesel – 1,993 cc, 4-cylinder, 200 hp/147 kW	9G-TRONIC PLUS 9-speed auto.	131	40,583.33	48,700.00	170.00	<b>49,665.00</b>	49,440.00	30
C300 d	Diesel – 1,993 cc, 4-cylinder, 265 hp/195 kW	9G-TRONIC PLUS 9-speed auto.	143	43,683.33	52,420.00	210.00	<b>53,425.00</b>	53,160.00	32
C200	Petrol – 1,496 cc, 4-cylinder, 200 hp/150 kW	9G-TRONIC PLUS 9-speed auto.	159	38,883.33	46,660.00	545.00	<b>48,000.00</b>	47,400.00	35

<sup>1</sup>The indicated values were determined according to the prescribed measurement method - Worldwide Harmonised Light Vehicle Test Procedure (WLTP). Figures shown may include options which are not available in the UK. <sup>2</sup>Figures shown are for comparability purposes; only compare with other cars tested to the same technical procedures. Figures may not reflect real life driving results, which will depend upon a number of factors including factory-fitted options, accessories fitted (post registration), variations in weather, driving styles and vehicle load. Further information about the test used to establish fuel consumption and CO<sub>2</sub> figures can be found at <http://www.mercedes-benz.co.uk/WLTP> <sup>3</sup>A different first year rate of Vehicle Excise Duty (Road Fund Licence) applies for new cars. Please refer to page 40 for the relevant rate for the second and subsequent years <sup>4</sup>The recommended on-the-road price includes the Road Fund Licence applicable to the standard model plus delivery charge (£715.00 incl. VAT), new vehicle registration fee (£55.00) and number plates (£25.00 incl. VAT). VAT is calculated at the standard rate of 20%. Some of the model features, optional extras and colours shown may not be available, or may only be available in a different specification, or at a different price

Design	Technology	Model lines	Upholstery	Model prices	Personalisation	Standard equipment	Genuine accessories	Technical data	Additional information
--------	------------	-------------	------------	--------------	-----------------	--------------------	---------------------	----------------	------------------------



[Book a test drive](#)[Buy your C-Class](#)[Find a Retailer](#)

# Colour options Non-metallic, metallic and designo paints

● Standard

Total prices incl. VAT



149 polar white non-metallic ●



859 mojave silver metallic £685.00



970 spectral blue metallic £685.00



297 designo selenite grey magno £1,795.00



197 obsidian black metallic £685.00



890 cavansite blue metallic £685.00



992 selenite grey metallic £685.00



885 designo opalite white bright £895.00



831 graphite grey metallic £685.00



922 high-tech silver metallic £685.00



996 designo hyacinth red £895.00

Please note that, owing to limitations of on-screen representation, paint colours may differ from those shown

Design	Technology	Model lines	Upholstery	Model prices	Personalisation	Standard equipment	Genuine accessories	Technical data	Additional information
--------	------------	-------------	------------	--------------	-----------------	--------------------	---------------------	----------------	------------------------

[Book a test drive](#)[Buy your C-Class](#)[Find a Retailer](#)

# Driving Assistance package Plus

The Driving Assistance package Plus contains a range of highly intelligent features to help you stay safe on the road - by making the drive more effortless, by warning of danger, and by taking steps to protect you in an emergency.

**Driving Assistance package Plus** (code PFA) - designed and priced as a package, including items listed below.

**AMG Line Premium Plus only**

**Total incl. VAT £1,695.00**

Active Blind Spot Assist



Active Distance Assist DISTRONIC



Active Lane-Keeping Assist



**Active Blind Spot Assist**

**Active Brake Assist** with vehicle, bike and pedestrian detection

**Active Distance Assist DISTRONIC**

**Active Emergency Stop Assist** active when lane markings are detected, independently of DISTRONIC

**Active Lane Change Assist**

**Active Lane Keeping Assist**

**Active Speed Limit Assist**

**Active Stop-and-Go Assist**

**Active Steering Assist** with hands-off warning

**Congestion emergency braking function**

**Cornering and Cross-Traffic Function**

**Emergency corridor function**

**Exit warning function** when hand moves towards the door handles

**Evasive Steering Assist** with bike, pedestrian and end of traffic jam detection

**Extended automatic restart function on motorways**

**PRE-SAFE® Impulse Side**

**Route-based speed adaptation with end of traffic jam function**

**Traffic Sign Assist**

**Turning manoeuvre function**

**Warning** of red lights, stop signs, pedestrian crossings and no-entry restrictions

Design

Technology

Model lines

Upholstery

Model prices

Personalisation

Standard equipment

Genuine accessories

Technical data

Additional information

[Book a test drive](#)[Buy your C-Class](#)[Find a Retailer](#)

# Trailer coupling with ESP® trailer stabilisation

## Trailer coupling with ESP® trailer stabilisation (code 550)

**Available on AMG Line Premium and AMG Line Premium Plus Estate models only**

**Total incl. VAT £750.00**

Expand your transport options: with this practical equipment you can hitch up both trailers or caravans and also mount cycle racks. The trailer coupling is ready for use in no time at all – and can be folded in again behind the rear bumper just as quickly when it is no longer needed.

Operating safety is the top priority: to fold out the trailer coupling, you must first unlock it via the control button in the boot. As soon as the button light goes out, the trailer coupling is correctly engaged and is therefore ready for use.

Even when driving you can benefit from a comprehensive safety concept: the ESP® trailer stabilisation is able to intervene automatically in critical situations when driving with a trailer. The associated sensor system detects the trailer independently as soon as the electric plug is connected to your vehicle.

The ESP® stabilisation functions are automatically active from a speed of 40 mph. When undesired oscillating motions are detected, the Trailer Stability Assist actively dampens these with the aid of alternate brake actuation of each individual wheel. In most cases this is already sufficient to reduce dangerous oscillations. If necessary, the system additionally reduces the speed: for this, the engine torque is reduced and the vehicle is braked via all four wheels.



Design	Technology	Model lines	Upholstery	Model prices	Personalisation	Standard equipment	Genuine accessories	Technical data	Additional information
--------	------------	-------------	------------	--------------	-----------------	--------------------	---------------------	----------------	------------------------

[Book a test drive](#)[Buy your C-Class](#)[Find a Retailer](#)

# Standard equipment

● Standard    – Not available

## Engine, Transmission and Suspension

	Sport	AMG Line	AMG Line Premium	AMG Line Premium Plus
9G-TRONIC PLUS 9-speed automatic transmission	●	●	●	●
AGILITY CONTROL suspension, lowered by 15 mm with selective damping	●	–	–	–
Driving modes – DYNAMIC SELECT with a choice of driving modes (Comfort, ECO, Sport, Sport+, Individual)	●	●	●	●
Sports suspension with selective damping system, lowered by 15 mm	–	●	●	●
Steering – Sports Direct-Steer system with speed-sensitive steering (not PHEV)	–	–	●	●
Steering column – electrically adjustable for height and reach	–	–	●	●
Steering column – manually adjustable for height and reach	●	●	–	–

## Exterior

B-pillar trim in glossy black	●	●	●	●
Beltline trim in chrome	●	●	●	●
Bumper – AMG front bumper with sporty air intakes and chrome elements	–	●	●	●
Bumper – AMG rear bumper with high-gloss chrome elements	–	●	●	●
Bumper – front bumper with dynamic design with chrome trims and air intakes in black	●	–	–	–
Bumper – rear bumper in vehicle colour with chrome wing in the centre	●	–	–	–
Exhaust pipes – non-visible exhaust pipes	●	–	–	–
Exhaust pipes – two visible exhaust pipes integrated into rear bumper	–	●	●	●
Fuel tank with increased capacity – 66 litres	●	●	●	●
Headlamps – Adaptive Highbeam Assist	●	●	–	–
Headlamps – Adaptive Highbeam Assist Plus	–	–	●	●
Headlamps – DIGITAL LIGHT	–	–	●	●
Headlamps – LED High Performance headlamps	●	●	–	–

	Sport	AMG Line	AMG Line Premium	AMG Line Premium Plus
Larger brake discs on the front axle	–	●	●	●
Mirror package	●	●	●	●
Powerdomes on bonnet	●	●	●	●
Privacy glass	–	●	●	●
Radiator grille – with integrated star, chrome lamella and radiator frame	●	–	–	–
Radiator grille – with Mercedes-Benz pattern and integral Mercedes star as well as louvre in matte iridium silver with chrome inserts	–	●	●	●
Side skirts – AMG skirts in vehicle colour	–	●	●	●
Side skirts – skirts in vehicle colour	●	–	–	–
Sporty engine sound for petrol engines (not PHEV)	–	●	●	●

## Wheels

17" alloy wheels – 5-spoke design, painted black with a high-sheen finish, 225/50 R17 tyres (code R69)	●	–	–	–
18" AMG alloy wheels – 5-spoke design, aerodynamically optimised, painted tantalite grey with a high-sheen finish, 225/45 (front) and 245/40 (rear) R18 tyres (code RSJ)	–	●	–	–
19" AMG alloy wheels – multi-spoke design, painted himalayas grey with a high-sheen finish, 225/40 (front) and 255/35 (rear) R19 tyres (code RVA)	–	–	●	–
19" AMG alloy wheels – 5-double-spoke design, aerodynamically optimised, painted black with a high-sheen finish, 225/40 (front) and 255/35 (rear) R19 tyres (code RVD)	–	–	–	●
Summer tyres	●	●	●	●



# Standard equipment

● Standard – Not available

## Interior

	Sport	AMG Line	AMG Line Premium	AMG Line Premium Plus
Air vents black with silver chrome elements	●	●	●	●
Ambient lighting	–	–	●	●
Door trim elements high-gloss black with silver chrome surroundings and switches	●	●	●	●
Double cupholder	●	●	●	●
Floor mats – AMG	–	●	●	●
Floor mats – velours	●	–	–	–
Head-up display – projects key driver information such as vehicle speed, navigation tips and speed limits as virtual colour image (21 x 7 cm) into the driver's field of vision. Special light sensors adjust the brightness of the head-up display to ensure good visibility without distraction. The display is easily height-adjustable	–	–	–	●
Illuminated door sills with Mercedes-Benz lettering	–	–	●	●
Interior Lighting package – lighting of footwells, door handle recesses, as well as rear reading lamps (LED) and courtesy lamps in all doors	●	●	●	●
KEYLESS-GO – Keyless comfort access	–	–	●	●
KEYLESS-GO starting function	●	●	●	●
Load compartment cover including EASY-PACK safety net (Estate models only)	●	●	●	●
Memory package – driver's seat, front passenger seat, steering column and exterior mirrors electrically adjustable with memory	–	–	●	●
Sports pedals in brushed stainless steel with rubber studs	–	●	●	●
Steering wheel – 3-spoke multifunction AMG steering wheel in black nappa leather with flattened bottom section, chrome inserts and perforated leather in grip area	–	●	●	●
Steering wheel – 3-spoke multifunction steering wheel in leather with trim in silver chrome and perforated leather in grip area	●	–	–	–

	Sport	AMG Line	AMG Line Premium	AMG Line Premium Plus
Overhead control unit in black high-gloss	●	●	●	●
Seats – heated front seats	●	●	●	●
Seats – folding rear seat backrest	●	●	●	●
Seats – four-way lumbar support	●	●	●	●
Seats – Seat Comfort package for driver and front passenger seat. Electro-pneumatic four-way lumbar support and manual seat cushion depth adjustment (6 cm)	●	●	●	●
Stowage Space package	●	●	●	●
THERMATIC automatic climate control with two climate zones	●	●	●	–
THERMOTRONIC automatic climate control with four climate zones	–	–	–	●

## Paint, Trim and Upholstery

	Sport	AMG Line	AMG Line Premium	AMG Line Premium Plus
Roof liner in black	●	●	●	●
Dashboard in ARTICO man-made leather	–	●	●	●
Dashboard in black with contrast stitching	●	–	–	–
Trim – centre console in anthracite line structure lime wood	–	–	–	●
Trim – centre console in metal weave	–	●	●	–
Trim – centre console in silver grey diamond pattern	●	–	–	–
Upholstery – leather in black	●	●	●	●

[Book a test drive](#)[Buy your C-Class](#)[Find a Retailer](#)

# Standard equipment

● Standard    – Not available

## Safety and Assistance Systems

	AMG Line Premium Plus	AMG Line Premium	AMG Line	Sport
Active Blind Spot Assist	●	●	●	●
Active bonnet – pedestrian safety measure which detects an impact and raises bonnet	●	●	●	●
Active Brake Assist with turning manoeuvre function	●	●	●	●
Active Lane-Keeping Assist	●	●	●	●
Adaptive Brake Assist with HOLD function and brake-drying function	●	●	●	●
Adaptive brake lamps	●	●	●	●
Anti-lock braking system (ABS)	●	●	●	●
ATTENTION ASSIST – can help alert to prevent long journey fatigue	●	●	●	●
Central locking with interior switch, automatic locking and crash sensor with emergency opening function	●	●	●	●
Diesel Particulate Filter – all diesel engines	●	●	●	●
Dual-stage airbags – driver and front passenger; front centre airbag between driver and front passenger seats; sidebags in front seats; driver kneebag; pelvis bag and windowbags for driver, front passenger and rear passengers	●	●	●	●
Electric parking brake	●	●	●	●
Electronic Stability Programme (ESP®)	●	●	●	●
First-aid kit and warning triangle	●	●	●	●
Fluorescent jacket for driver	●	●	●	●
ISOFIX child seat attachment points with top tether in rear	●	●	●	●

Parking package with 360° camera - The Active Parking Assist with PARKTRONIC and 360° camera detects free parking spaces and marked parking spaces whilst driving past. After selecting a parking space parking is effortless thanks to dynamic visualisation and audible feedback – or have the vehicle manoeuvre into the space with assisted parking

Parking package with reversing camera – the Active Parking Assist with PARKTRONIC detects free parking spaces as you drive past. As soon as a parking space has been selected, thanks to the reversing camera, ultrasonic sensors and practical visualisations you can enter a space effortlessly – or have the vehicle parked with assistance

Petrol Particulate Filter (PPF) – all petrol engines

Remote boot release

Service indicator ASSYST

SPEEDTRONIC cruise control with variable speed limiter

Status display for rear seat belts in instrument cluster

TIREFIT with tyre inflation compressor

Tyre pressure monitoring system

URBAN GUARD vehicle protection (Thatcham Category 1) consisting of a break-in and anti-theft alarm system (ATA), interior monitoring and tow-away protection

Windscreen wipers with rain sensor

	AMG Line Premium Plus	AMG Line Premium	AMG Line	Sport
Parking package with 360° camera - The Active Parking Assist with PARKTRONIC and 360° camera detects free parking spaces and marked parking spaces whilst driving past. After selecting a parking space parking is effortless thanks to dynamic visualisation and audible feedback – or have the vehicle manoeuvre into the space with assisted parking	–	–	●	●
Parking package with reversing camera – the Active Parking Assist with PARKTRONIC detects free parking spaces as you drive past. As soon as a parking space has been selected, thanks to the reversing camera, ultrasonic sensors and practical visualisations you can enter a space effortlessly – or have the vehicle parked with assistance	●	●	–	–
Petrol Particulate Filter (PPF) – all petrol engines	●	●	●	●
Remote boot release	●	●	●	●
Service indicator ASSYST	●	●	●	●
SPEEDTRONIC cruise control with variable speed limiter	●	●	●	●
Status display for rear seat belts in instrument cluster	●	●	●	●
TIREFIT with tyre inflation compressor	●	●	●	●
Tyre pressure monitoring system	●	●	●	●
URBAN GUARD vehicle protection (Thatcham Category 1) consisting of a break-in and anti-theft alarm system (ATA), interior monitoring and tow-away protection	●	●	●	●
Windscreen wipers with rain sensor	●	●	●	●

[Book a test drive](#)[Buy your C-Class](#)[Find a Retailer](#)

# Standard equipment

● Standard    – Not available

## Communications and In-Car Entertainment

		AMG Line Premium Plus	AMG Line Premium	AMG Line	Sport
11.9-inch high-resolution multimedia colour display	●	●	●	●	●
12.3-inch digital instrument cluster display	●	●	●	●	●
Digital radio	●	●	●	●	●
Fingerprint sensor	●	●	●	●	●
MBUX augmented reality for navigation	–	–	●	●	
MBUX extended functions	●	●	●	●	
MBUX Navigation Premium	●	●	●	●	
Pre-installation for digital key transfer	●	●	●	●	
Remote services	●	●	●	●	
Smartphone integration <sup>1</sup>	●	●	●	●	
USB package – two USB-C ports under the front centre armrest, suitable for data transfer	●	●	●	●	
Wireless charging <sup>1</sup> for mobile devices in the front	●	●	●	●	

<sup>1</sup>Compatible mobile phone required

# Genuine accessories

We've developed a range of accessories you can add to help personalise and enhance your C-Class.



## BABY-SAFE plus II child seat

The BABY-SAFE plus II child seat is suitable for babies from birth to 15 months (weight group up to 13kg). The patented D-Sip system improves side impact protection. The head restraints can be adjusted to 7 positions making sure its at the perfect height for your baby. The carrying handle can be adjusted to 3 positions offering you the most comfortable position. The curved base allows for rocking or feeding. Anchorage in the vehicle with 5-point seat belt. (A0009703802)



## DUO plus child seat, with ISOFIX

Safe and secure: children between the ages of 9 months and 4 years (weight 9 to 18 kg) will enjoy travelling in the 'DUO plus' child seat from Mercedes-Benz. The seat offers optimum protection in the event of an accident. A quick change of position: sitting, reclining and sleeping positions are adjustable with one simple manoeuvre. (A0009704302)



## KIDFIX XP child seat, with ISOFIX

Support and safety for older children too: The KIDFIX XP child seat is suitable for children between the ages of 3.5 to 12 years (body weight of 15–36 kg). It is securely attached to the vehicle using ISOFIX. The front-facing seat can also be secured in place using the 3-point seat belt. (A0009704902)



## Stowage crate

The robust plastic stowage box creates organisation in the boot space, and provides a secure hold for items which are prone to tip over or slide around. The stowage crate can be divided into two sections using the enclosed rigid dividing panel. Capacity: 51 litres. (A0008140400)



## Coolbox

Be it cool drinks, a picnic or baby food: the thermoelectric refrigerator box cools upon request and is the perfect companion on any day out. Thanks to its extra thick insulation it can cool up to 5°C, but a max. of 20°C under the outside temperature. It fits perfectly into your Mercedes-Benz vehicle and holds 13 litres. (A0008205409)

All the above accessories are subject to availability and compatibility. Please ask your Mercedes-Benz Retailer for more information Images shown are for illustration purposes only





#### Velour floor mats CLASSIC, set, 4-piece, All-Terrain - Estate only

Floor mats have to undergo rigorous testing before they are deemed worthy of the star logo. The mats are precision-tailored to your Mercedes-Benz. Can be clip-fastened to the floor of the vehicle to prevent slipping. Elegant, high-quality tufted velour mat with embroidered ALL-TERRAIN label. (A20668007029J74)



#### Velour floor mats CLASSIC, set, 4-piece - Saloon only

Floor mats have to undergo rigorous testing before they are deemed worthy of the star logo. The mats are precision-tailored to your Mercedes-Benz. Can be clip-fastened to the floor of the vehicle to prevent slipping. Elegant, high-quality tufted velour mats with embroidered Mercedes-Benz label. (A20668023059J74)



#### Reversible mat, precision fit - Estate only

This anti-slip mat by Mercedes-Benz protects the boot floor during loading and unloading. This mat is hard-wearing, made from 100% polyester and boasts dual use as it is double-sided. The rubberised and non-slip side minimises slipping of goods. The soft velour side protects the luggage-compartment floor against moisture and dirt. And if anything should go wrong, it is easy to clean with warm water. (A2066803404)



#### Rear spoiler, Carbon-Style - Saloon only

Discreet spoiler, fitted to the boot lid, subtly accentuating the rear contours. The rear spoiler in realistic Carbon-Style with individual, dynamic 3D-effect underlines the character of the vehicle. Fitted using double-sided adhesive tape. No entry in vehicle documents required. (A2067930200)

All the above accessories are subject to availability and compatibility. Please ask your Mercedes-Benz Retailer for more information. Images shown are for illustration purposes only.

Design	Technology	Model lines	Upholstery	Model prices	Personalisation	Standard equipment	Genuine accessories	Technical data	Additional information
--------	------------	-------------	------------	--------------	-----------------	--------------------	---------------------	----------------	------------------------

[Book a test drive](#)[Buy your C-Class](#)[Find a Retailer](#)

# Technical data Saloon

- Standard

Model		C 220 d	C 300 d	C 200	C 300
<b>Engine</b>					
Fuel delivery		Diesel	Diesel	Petrol	Petrol
Total displacement	cc	1,993	1,993	1,496	1,999
Arrangement/cylinders/valves		in-line/4/16	in-line/4/16	in-line/4/16	in-line/4/16
Power <sup>1</sup>	hp (kW) at rpm	200 (147)/4,200	265 (195)/4,200	204 (150)/5,800–6,100	258 (190)/5,800
Torque <sup>1</sup>	Nm at rpm	440/1,800–2,800	550/1,800–2,200	300/1,800–4,000	400/2,000–3,200
Compression ratio		15.5:1	15.5:1	10.5:1	10.0:1
Emissions standard		EURO 6D-ISC-FCM	EURO 6D-ISC-FCM	EURO 6D-ISC-FCM	EURO 6D-ISC-FCM

<b>Transmission</b>					
9G-TRONIC PLUS 9-speed automatic		●	●	●	●

<b>Performance</b>					
Acceleration 0–62 mph	sec	7.3	5.7	7.3	6.0
Top speed	mph	152	155	153	155

<b>Weights and capacities</b>					
Kerb weight <sup>2</sup>	kg	1,755	1,775	1,650	1,675
Perm. Gross Vehicle Weight	kg	2,380	2,380	2,265	2,280
Boot capacity – seats up	l	455	455	455	455
Towing capacity – unbraked/braked	kg	750/1,800	750/1,800	750/1,800	750/1,800
Fuel tank capacity/of which reserve	l	66/7	66/7	66/7	66/7
Turning circle	m	11.07	11.07	11.07	11.07

<sup>1</sup>Figures according to Directive 80/1269/EEC in the currently applicable version    <sup>2</sup>Mass of the vehicle in running order with at least 90% full fuel tank, plus the mass of the driver (estimated by law at 75kg), fuel and fluids, equipped with the standard equipment as specified by the manufacturer as well as, where applicable, the mass of the body, cab, trailer coupling and spare wheel(s) as well as tools. Optional extras, additional equipment and accessories can influence the weight, residual payload, rolling resistance, aerodynamics, etc., and therefore also affect the consumption/CO<sub>2</sub> values

[Book a test drive](#)[Buy your C-Class](#)[Find a Retailer](#)

# Technical data Saloon

Model		C 220 d	C 300 d	C 200	C 300
<b>Fuel consumption<sup>3,4,5</sup></b>					
Combined (consumption dependent on chosen optional equipment)	l/100 km	4.8–4.6	5.3–5.1	6.8–6.4	7.0–6.7
	mpg	58.9–61.4	53.3–55.4	41.5–44.1	40.4–42.2
<b>Insurance</b>					
Group rating		tba	tba	tba	tba

Insurance ratings may vary depending on model line and specification. Please refer to <http://www.thatcham.org/abigrouprating/> for further details

<sup>3</sup>All figures are based on a standard specification with the smallest tyre size available in the UK

<sup>4</sup>The choice of wheels and transmission may affect CO<sub>2</sub> emissions and corresponding Road Fund Licence

<sup>5</sup>The indicated values were determined according to the prescribed measurement method - Worldwide Harmonised Light Vehicle Test Procedure (WLTP). Figures shown may include options which are not available in the UK



Book a test drive

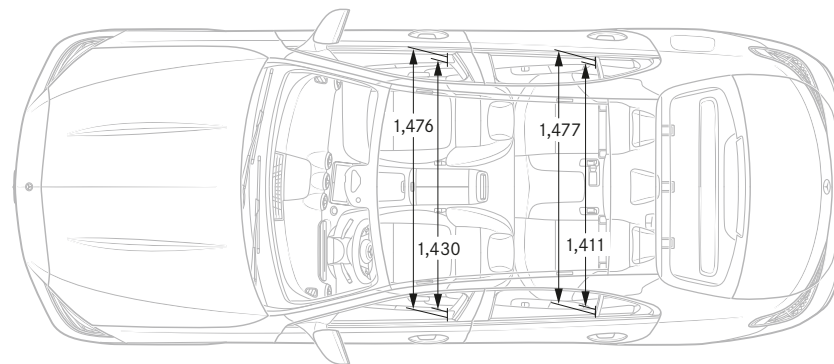
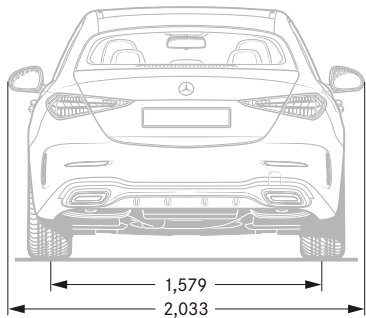
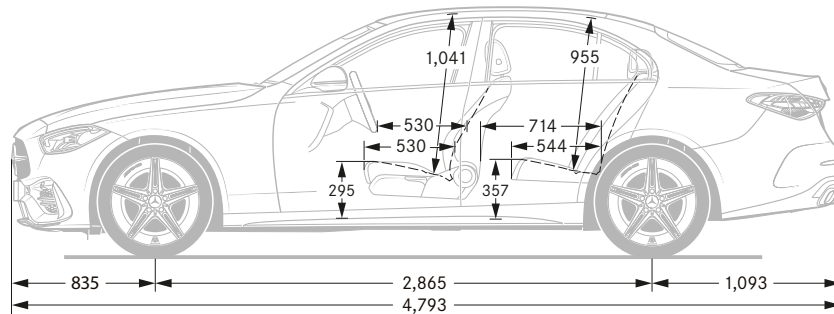
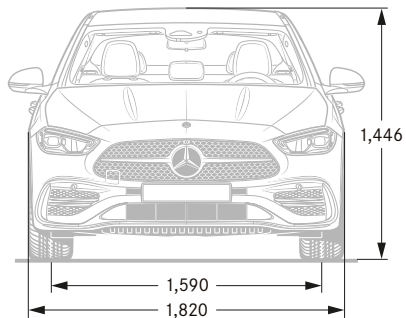


Buy your C-Class



Find a Retailer

## Sport/AMG Line/AMG Line Premium/AMG Line Premium Plus



Design	Technology	Model lines	Upholstery	Model prices	Personalisation	Standard equipment	Genuine accessories	Technical data	Additional information
--------	------------	-------------	------------	--------------	-----------------	--------------------	---------------------	----------------	------------------------

[Book a test drive](#)[Buy your C-Class](#)[Find a Retailer](#)

# Technical data Estate

- Standard

Model		C220 d	C300 d	C200
<b>Engine</b>				
Fuel delivery		Diesel	Diesel	Petrol
Total displacement	cc	1,993	1,993	1,496
Arrangement/cylinders/valves		in-line/4/16	in-line/4/16	in-line/4/16
Power <sup>1</sup>	hp (kW) at rpm	200 (147)/4,200	265 (195)/4,200	204 (150)/5,800–6,100
Torque <sup>1</sup>	Nm at rpm	440/1,800–2,800	550/1,800–2,200	300/1,800–4,000
Compression ratio		15.5:1	15.5:1	10.5:1
Emissions standard		EURO 6D-ISC-FCM	EURO 6D-ISC-FCM	EURO 6D-ISC-FCM
<b>Transmission</b>				
9G-TRONIC PLUS 9-speed automatic		●	●	●
<b>Performance</b>				
Acceleration 0–62 mph	sec	7.4	5.8	7.5
Top speed	mph	150	155	149
<b>Weights and capacities</b>				
Kerb weight <sup>2</sup>	kg	1,815	1,835	1,710
Perm. Gross Vehicle Weight	kg	2,400	2,400	2,325
Boot capacity – seats up/seats down	l	490/1,510	490/1,510	490/1,510
Towing capacity – unbraked/braked	kg	750/1,800	750/1,800	750/1,800
Fuel tank capacity/of which reserve	l	66/7	66/7	66/7
Turning circle	m	11.07	11.07	11.07

<sup>1</sup>Figures according to Directive 80/1269/EEC in the currently applicable version    <sup>2</sup>Mass of the vehicle in running order with at least 90% full fuel tank, plus the mass of the driver (estimated by law at 75kg), fuel and fluids, equipped with the standard equipment as specified by the manufacturer as well as, where applicable, the mass of the body, cab, trailer coupling and spare wheel(s) as well as tools. Optional extras, additional equipment and accessories can influence the weight, residual payload, rolling resistance, aerodynamics, etc., and therefore also affect the consumption/CO<sub>2</sub> values

[Book a test drive](#)[Buy your C-Class](#)[Find a Retailer](#)

# Technical data Estate

Model		C 220 d	C 300 d	C 200
<b>Fuel consumption<sup>3,4,5</sup></b>				
Combined (consumption dependent on chosen optional equipment)	l/100 km	5.0-4.7	5.4-5.2	7.0-6.7
	mpg	56.5-60.1	52.3-54.3	40.4-42.2
<b>Insurance</b>				
Group rating		tba	tba	tba

Insurance ratings may vary depending on model line and specification. Please refer to <http://www.thatcham.org/abigrouprating/> for further details

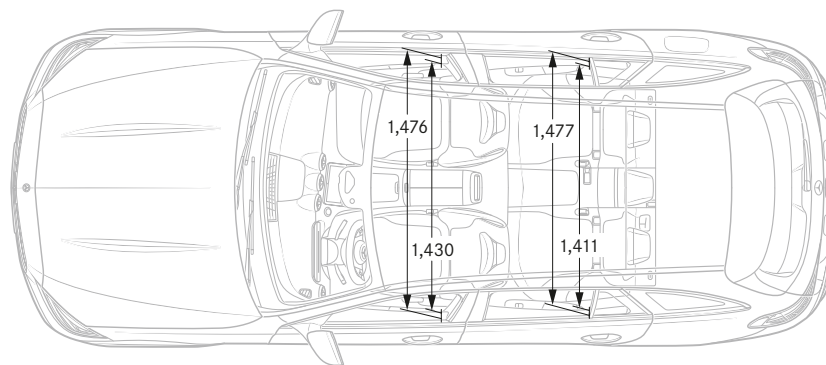
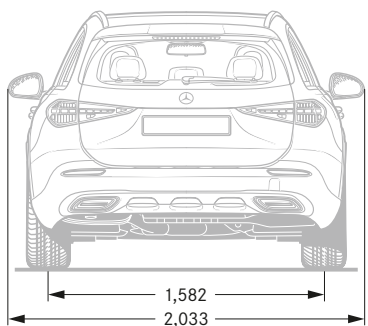
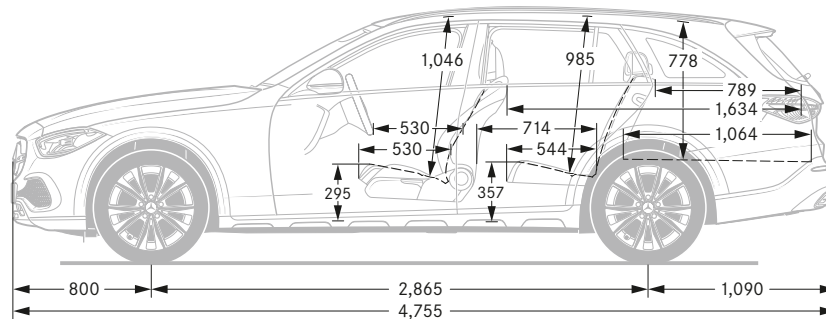
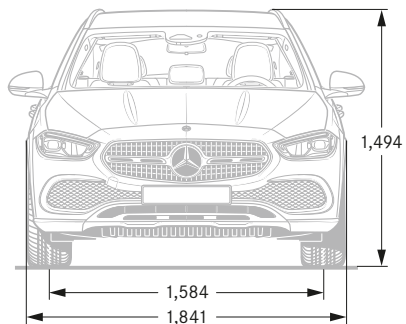
<sup>3</sup>All figures are based on a standard specification with the smallest tyre size available in the UK

<sup>4</sup>The choice of wheels and transmission may affect CO<sub>2</sub> emissions and corresponding Road Fund Licence

<sup>5</sup>The indicated values were determined according to the prescribed measurement method - Worldwide Harmonised Light Vehicle Test Procedure (WLTP). Figures shown may include options which are not available in the UK

[Book a test drive](#)[Buy your C-Class](#)[Find a Retailer](#)

## Sport/AMG Line/AMG Line Premium/AMG Line Premium Plus



Design	Technology	Model lines	Upholstery	Model prices	Personalisation	Standard equipment	Genuine accessories	Technical data	Additional information
--------	------------	-------------	------------	--------------	-----------------	--------------------	---------------------	----------------	------------------------

[Book a test drive](#)[Buy your C-Class](#)[Find a Retailer](#)

# Road Fund Licence

All road vehicle registrations are subject to Vehicle Excise Duty (Road Fund Licence), which varies in accordance with the vehicle's CO<sub>2</sub> emissions. A first year rate for each taxation band will apply. The table below shows the bands (A-M) created by the DVLA and the corresponding Road Fund Licence. CO<sub>2</sub> emissions and the relevant Excise Duty are shown on the model pricing pages.

Band	CO <sub>2</sub> emissions (g/km)	First year rate petrol and RDE2 diesel (£)	First year rate all other diesel (£) <sup>1</sup>	First year rate alternative fuel (£)	Electric vehicles		Alternative fuel vehicles		Petrol/diesel vehicles	
					Standard rate (£)	Premium rate (£) <sup>2</sup>	Standard rate (£)	Premium rate (£) <sup>2</sup>	Standard rate (£)	Premium rate (£) <sup>2</sup>
A	0	0.00	0.00	0.00	0.00	0.00	0.00	0.00	0.00	0.00
B	1 to 50	10.00	25.00	0.00	0.00	0.00	145.00	480.00	155.00	490.00
C	51 to 75	25.00	115.00	15.00	0.00	0.00	145.00	480.00	155.00	490.00
D	76 to 90	115.00	140.00	105.00	0.00	0.00	145.00	480.00	155.00	490.00
E	91 to 100	140.00	160.00	130.00	0.00	0.00	145.00	480.00	155.00	490.00
F	101 to 110	160.00	180.00	150.00	0.00	0.00	145.00	480.00	155.00	490.00
G	111 to 130	180.00	220.00	170.00	0.00	0.00	145.00	480.00	155.00	490.00
H	131 to 150	220.00	555.00	210.00	0.00	0.00	145.00	480.00	155.00	490.00
I	151 to 170	555.00	895.00	545.00	0.00	0.00	145.00	480.00	155.00	490.00
J	171 to 190	895.00	1,345.00	885.00	0.00	0.00	145.00	480.00	155.00	490.00
K	191 to 225	1,345.00	1,910.00	1,335.00	0.00	0.00	145.00	480.00	155.00	490.00
L	226 to 255	1,910.00	2,245.00	1,900.00	0.00	0.00	145.00	480.00	155.00	490.00
M	over 255	2,245.00	2,245.00	2,235.00	0.00	0.00	145.00	480.00	155.00	490.00



Some of the model features, optional extras and colours shown may not be available, or may only be available in a different specification, or at a different price

<sup>1</sup>Applies to all Mercedes-Benz diesel models which do not comply with RDE (Real Driving Emissions) Step 2 Certified (Euro 6d)

<sup>2</sup>Premium rate only applicable to vehicles where the list price is over £40,000 including any factory-fitted options, standard UK delivery charge, number plates, fuel and VAT





# Services and insurance

## Mercedes-Benz ServiceCare

We believe that servicing costs should be as flexible and affordable as possible for your C-Class, which is why we offer ServiceCare, an easy way to budget for all your servicing costs. It spreads your bills into manageable payments based on whether you have a new or used Mercedes-Benz. With ServiceCare we guarantee the price of parts and labour for up to four services and safeguard against any further inflation. It also covers the cost of all recommended service items including brake fluid, spark plugs, air filters, fuel filters and screen wash. You can choose either to add your servicing costs into your monthly spend or pay the full amount in a one-off payment, giving you peace of mind that they are taken care of for the period of the plan.

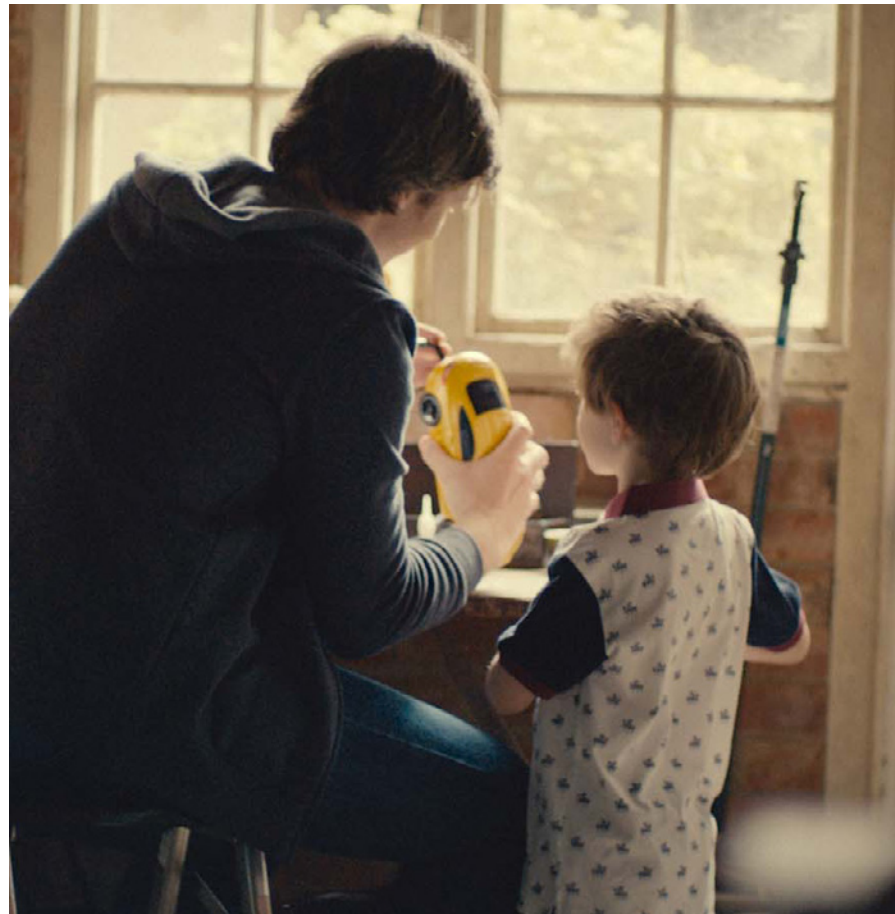
[› Click here for more information](#)

## Warranty and breakdown cover

Every Mercedes-Benz comes with a three-year unlimited mileage warranty against manufacturing or material defects<sup>1</sup> and up to 30 years warranty against perforation due to corrosion from the inside out.<sup>2</sup> What's more, it's also covered by Mercedes-Benz Roadside Assistance – a unique package comprising up to 30 years pan-European breakdown assistance.<sup>2</sup>

## Motor Insurance

We know that once you have chosen your Mercedes-Benz you can't wait to drive it – that's why we created First Cover<sup>3</sup>. It gives you 7 days' free comprehensive Motor Insurance when you buy a new or used vehicle from a Mercedes-Benz Retailer. We will also send you a quote for annual cover, so you can enjoy the same peace of mind all year round.

[› Apply for First Cover](#)

<sup>1</sup>Applies to vehicles sold by Mercedes-Benz in the UK to its franchised Retailers    <sup>2</sup>Subject to full Terms and Conditions, dependent on date of registration, available upon request  
<sup>3</sup>Terms and Conditions apply. We are an independent intermediary dealing with selected insurers in respect of annual insurance

Design	Technology	Model lines	Upholstery	Model prices	Personalisation	Standard equipment	Genuine accessories	Technical data	Additional information
--------	------------	-------------	------------	--------------	-----------------	--------------------	---------------------	----------------	------------------------



Effective from July 2021 Production. Information correct at time of publication 20.07.2021.  
Prices and specifications are subject to change without prior notice.  
MBWS206PL/0721 NM802

