



# The B-Class

Effective from January 2022 Production.

Mercedes-Benz





Book a test drive



Buy your B-Class



Find a Retailer



Some of the model features, optional extras and colours shown may not be available, or may only be available in a different specification, or at a different price.

Design	Technology	Plug-in Hybrid	Model lines	Upholstery	Model prices	Personalisation	Standard equipment	Genuine accessories	Technical data	Additional information
--------	------------	----------------	-------------	------------	--------------	-----------------	--------------------	---------------------	----------------	------------------------



[Book a test drive](#)[Buy your B-Class](#)[Find a Retailer](#)

Some of the model features, optional extras and colours shown may not be available, or may only be available in a different specification, or at a different price.

<a href="#">Design</a>	<a href="#">Technology</a>	<a href="#">Plug-in Hybrid</a>	<a href="#">Model lines</a>	<a href="#">Upholstery</a>	<a href="#">Model prices</a>	<a href="#">Personalisation</a>	<a href="#">Standard equipment</a>	<a href="#">Genuine accessories</a>	<a href="#">Technical data</a>	<a href="#">Additional information</a>
------------------------	----------------------------	--------------------------------	-----------------------------	----------------------------	------------------------------	---------------------------------	------------------------------------	-------------------------------------	--------------------------------	--



**B-Class**

# Technology

<a href="#">Design</a>	<a href="#">Technology</a>	<a href="#">Plug-in Hybrid</a>	<a href="#">Model lines</a>	<a href="#">Upholstery</a>	<a href="#">Model prices</a>	<a href="#">Personalisation</a>	<a href="#">Standard equipment</a>	<a href="#">Genuine accessories</a>	<a href="#">Technical data</a>	<a href="#">Additional information</a>
------------------------	----------------------------	--------------------------------	-----------------------------	----------------------------	------------------------------	---------------------------------	------------------------------------	-------------------------------------	--------------------------------	--





Book a test drive



Buy your B-Class



Find a Retailer

# Mercedes-Benz User Experience (MBUX)

Transforming the in-car user experience, thanks to MBUX: Controlled via voice or touch input, the innovative infotainment system can over time even predict personal habits thanks to artificial intelligence.



MBUX multimedia system with DAB digital radio



Multi-gesture touchpad control

### Voice control

- Activated by the keywords “Hey Mercedes”, the new intelligent voice control LINGUATRONIC<sup>1</sup> lets you control many of the infotainment functions, including destination input, phone calls or music selection
- MBUX is able to understand different accents and will adjust to you over time
- MBUX even understands indirect commands. Feeling chilly? Just say “I feel cold” and MBUX will adjust the temperature for you

### Personalisation

- Turn the B-Class into your very own Mercedes-Benz by personalising driving modes, radio stations and much more
- Your personal settings can be saved in up to seven different profiles, making your driving experience the best one possible
- Thanks to artificial intelligence, MBUX is able to learn and adapt over time. It will be able to predict your personal habits, such as navigation for frequently-driven routes, or the radio station you like to listen to on your way home from work

### Touch inputs

- Beside voice control you can operate MBUX via touchscreen, the touchpad on the centre console, as well as touch control buttons on the steering wheel
- The touchpad recognises your handwriting should you wish to enter addresses or phone numbers silently

### Maintenance and service

- Wondering when the next service is due? Or how much further you can drive until you need to stop at a petrol station? Just ask your MBUX – it will tell you the answer

<sup>1</sup>LINGUATRONIC off-board functions are currently only available for three years

Design	Technology	Plug-in Hybrid	Model lines	Upholstery	Model prices	Personalisation	Standard equipment	Genuine accessories	Technical data	Additional information
--------	------------	----------------	-------------	------------	--------------	-----------------	--------------------	---------------------	----------------	------------------------

# Mercedes me connect

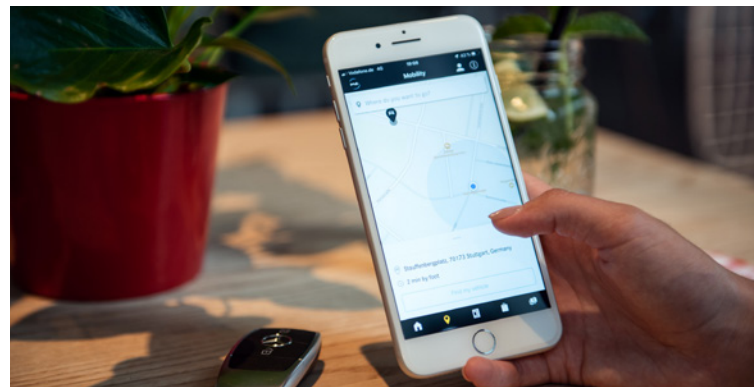
Stay connected any time, anywhere.

# Mercedes me

Mercedes me is a range of innovative online services designed to enhance your Mercedes-Benz experience. Accessible via mobile, tablet or PC, Mercedes me lets you enjoy the highest standards of care and support, in a way that integrates seamlessly with your busy lifestyle.

### Safety and Service – Mercedes me connect helps to keep you and your car safe

Check your car's oil level, tyre pressure and fuel from your phone so you'll be ready for every journey.



### Infotainment – Online and Entertainment services from Mercedes me connect

Love music? Get a 3-month free subscription to Tidal when you connect your car.

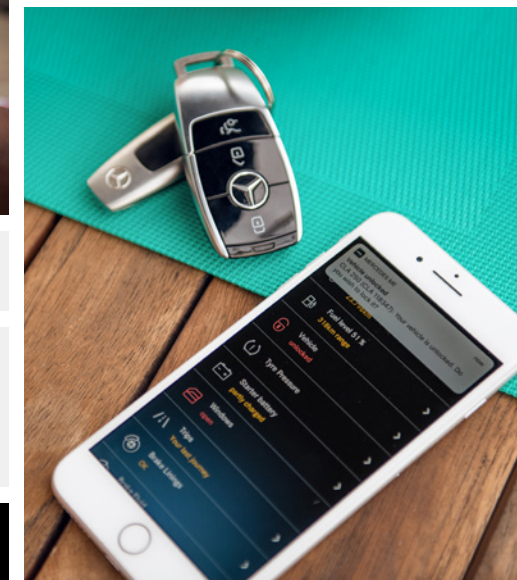
### Live Traffic Information, Parked Vehicle Locator and much more with Mercedes me connect

Forgot where you've parked? Parked Vehicle Locator<sup>1</sup> will show you exactly where your car is as long as you're in a 1-mile radius of where you parked. Real-time traffic data and dynamic route with shorter journey times.

For more information speak to your local Retailer or visit the Mercedes me connect store at [shop.mercedes-benz.com/en-gb/connect](http://shop.mercedes-benz.com/en-gb/connect)

### Comfort – connect to your car anytime, anywhere

Forgot to lock your car? With Remote Car Lock<sup>2</sup> you will receive a notification on your smartphone to let you know. With one tap, you can lock and unlock your vehicle so you never have to worry.



<sup>1</sup>Available on all models with the Vehicle Monitoring package. This option may vary between standard and additional cost dependent on the model

<sup>2</sup>Part of the Vehicle Status package. This option may vary between standard and additional cost dependent on the model

Images shown are for illustration purposes only

Design	Technology	Plug-in Hybrid	Model lines	Upholstery	Model prices	Personalisation	Standard equipment	Genuine accessories	Technical data	Additional information
--------	------------	----------------	-------------	------------	--------------	-----------------	--------------------	---------------------	----------------	------------------------





Book a test drive



Buy your B-Class



Find a Retailer



**B-Class**

# Plug-in Hybrid

Design	Technology	Plug-in Hybrid	Model lines	Upholstery	Model prices	Personalisation	Standard equipment	Genuine accessories	Technical data	Additional information
--------	------------	----------------	-------------	------------	--------------	-----------------	--------------------	---------------------	----------------	------------------------



[Book a test drive](#)[Buy your B-Class](#)[Find a Retailer](#)

# Plug-in Hybrid Electric Vehicle (PHEV) Benefits of driving a plug-in hybrid.

Our plug-in hybrids feature either a petrol or diesel powertrain, combined with a High Voltage battery and electric motor. Enjoy hybrid mode for maximum efficiency, or all-electric mode for emission-free driving.

## Lower running costs

Did you know that electric cars could cost up to a third less than a diesel or petrol car to run, as well as being cheaper to maintain? We've partnered with Go Ultra Low, a joint Government and car industry campaign, to give you unbiased advice on making the switch to an electric car. Use Go Ultra Low's cost saving calculator to see how much you can save.<sup>1</sup>

[Discover more](#)

## Lower road fund license

Plug-in hybrid vehicles have lower emissions – this means you pay less for road tax.

## Cleaner vehicle discount

Plug-in hybrid models qualify for the 100% cleaner vehicle discount within the London Congestion Charge zone.

## Business benefits

With 100% first-year capital allowances<sup>2</sup> and lower Company Car tax, electric cars offer significant benefits to businesses and employees.

[Click here for more information](#)

<sup>1</sup>Please note that by clicking below you will be directed to the Go Ultra website    <sup>2</sup>100% first-year capital allowances only apply to vehicles less than 50 g CO<sub>2</sub>/km

<a href="#">Design</a>	<a href="#">Technology</a>	<a href="#">Plug-in Hybrid</a>	<a href="#">Model lines</a>	<a href="#">Upholstery</a>	<a href="#">Model prices</a>	<a href="#">Personalisation</a>	<a href="#">Standard equipment</a>	<a href="#">Genuine accessories</a>	<a href="#">Technical data</a>	<a href="#">Additional information</a>
------------------------	----------------------------	--------------------------------	-----------------------------	----------------------------	------------------------------	---------------------------------	------------------------------------	-------------------------------------	--------------------------------	--



[Book a test drive](#)[Buy your B-Class](#)[Find a Retailer](#)

# Plug-in Hybrid Electric Vehicle (PHEV) The B250 e.

Plug-in hybrid vehicles enjoy the same functionality of full Hybrid technology, with the added benefit that they can be charged from an external electricity source.

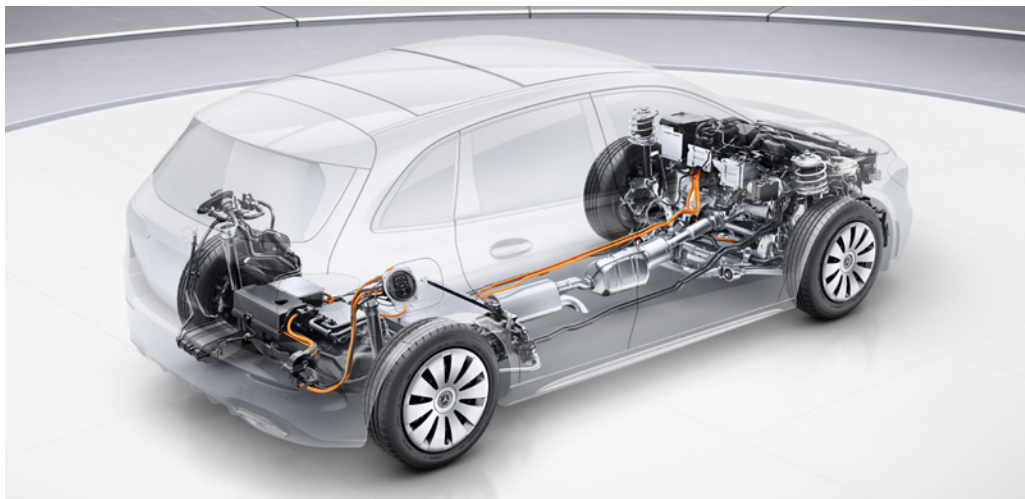
## B250 e

Petrol – 1,332 cc, 4-cylinder, 160 hp/118 kW  
Electric motor – 102 hp/75 kW

### Available as:

AMG Line Executive Edition, AMG Line Premium Edition and AMG Line Premium Plus Edition

OTR from **£37,970<sup>1</sup>**



### Standard equipment

Acoustic ambient protection – the tone pitch changes depending on the driving conditions. You can therefore also differentiate whether you are braking or accelerating. Above 19 mph, the system is basically deactivated since wind and tyre noise tend to dominate at higher speeds

Charging cable – Mode 3 cable (5 metres, straight) for wallbox and public charging stations

Charging socket

Charging system – AC charging system rated at 7.4 kW

Comfort suspension

Pre-entry climate control

Radar-based recuperation

Remote and Charging Services Plus

### Technical details

Equivalent All-Electric Range (EAER) <sup>2</sup>	42 miles
AC charging time, 10–100% <sup>3</sup>	5 hrs 30 mins at a domestic socket <sup>4</sup> 1 hr 45 mins/3 hrs 15 mins at a wallbox
Range power consumption, combined <sup>2,5</sup>	15.4–14.7 kWh/100 km
Battery type (usable)	lithium-ion (10.6 kWh)
Capacity on-board charger	7.4 kW



<sup>1</sup>The recommended on-the-road price includes the Road Fund Licence applicable to the standard model plus delivery charge (£730.00 incl. VAT), new vehicle registration fee (£55.00), fuel (£50.00 incl. VAT), and number plates (£25.00 incl. VAT). VAT is calculated at the standard rate of 20%. Some of the model features, optional extras and colours shown may not be available, or may only be available in a different specification, or at a different price <sup>2</sup>The indicated values were determined according to the prescribed measurement method - Worldwide Harmonised Light Vehicle Test Procedure (WLTP). Figures shown may include options which are not available in the UK. For Plug-in Hybrid Electric Vehicle (PHEV) figures determined with the battery fully charged, using a combination of both battery power and fuel. These models require mains electricity for charging <sup>3</sup>Specified voltage and current values refer to network infrastructure and can be limited by the vehicle. Times are from 10-100% charge using a wallbox (three-phase) or standard socket (single-phase) <sup>4</sup>If you are planning to charge your Mercedes-Benz plug-in electric vehicle using a 3-pin domestic plug socket you must get a qualified electrician to inspect and sign off the socket to confirm it is safe and suitable to charge your vehicle. Do not use an electric vehicle 3-pin charge cable with an extension cord) <sup>5</sup>The certified electrical consumption is generally determined at maximum AC charging capacity using a Mode 3 cable. It is therefore recommended that vehicles with a HV battery preferably be charged at a wallbox or an AC charging station with a Mode 3 cable in order to achieve shorter charging times and improved charging efficiency



Book a test drive



Buy your B-Class



Find a Retailer

# Home charging Simple, convenient, fast charging.

Mercedes-Benz plug-in vehicle customers with off-street parking can benefit from the convenience and speed of charging at home by installing a home charger. The 7 kW home chargers deliver a full charge in under five hours – that's up to three times faster than using a 13A three-pin domestic plug.<sup>1</sup>

Home charger 7 kW: **£875\*** incl. VAT & installation



\*Price excludes £350 OZEV EVHS Grant. Price correct at time of publication, subject to change

<sup>1</sup>Based on 7kW power output for plug-in hybrid vehicles

<sup>2</sup>The home charger £350 Grant (including VAT) is only available to customers who meet the criteria of the Office for Zero Emission Vehicles (OZEV). For full details and eligibility criteria for the OZEV EVHS Grant, see <https://www.gov.uk/government/publications/electric-vehicle-homecharge-scheme-guidance-for-customers-version-21>.



### Key benefits of the 7 kW home charger:

Robust and weatherproof, for indoor or outdoor use, and comes with a three year warranty. Keep track of your charging using your chosen providers' app – available on both the App Store and the Google Play Store.

### OZEV Grant:

You may be entitled to claim for an OZEV grant towards the cost of your home charger.<sup>2</sup> To find out whether you are entitled please contact your chosen charging partner.

### Questions?

Please contact your local Retailer to submit an enquiry to your chosen charging partner on your behalf. To find your local Retailer, please click the button at the top right hand corner.

### Warning!

If you are planning to charge your Mercedes-Benz plug-in electric vehicle using a 3-pin domestic plug socket you must get a qualified electrician to inspect and sign off the socket to confirm it is safe and suitable to charge your vehicle. Do not use an electric vehicle 3-pin charge cable with an extension cord.

Design	Technology	Plug-in Hybrid	Model lines	Upholstery	Model prices	Personalisation	Standard equipment	Genuine accessories	Technical data	Additional information
--------	------------	----------------	-------------	------------	--------------	-----------------	--------------------	---------------------	----------------	------------------------





Book a test drive



Buy your B-Class



Find a Retailer

# B-Class Model lines overview

**Sport »**



**Sport Executive Edition »**

**AMG Line Executive Edition »**



**AMG Line Premium Edition »**



**AMG Line Premium Plus Edition »**

Design	Technology	Plug-in Hybrid	Model lines	Upholstery	Model prices	Personalisation	Standard equipment	Genuine accessories	Technical data	Additional information
--------	------------	----------------	-------------	------------	--------------	-----------------	--------------------	---------------------	----------------	------------------------

# B-Class Sport Standard equipment highlights



### Engine, Transmission and Suspension

Driving modes - DYNAMIC SELECT with a choice of driving modes: Eco, Comfort, Sport and Individual

### Exterior

17" alloy wheels - 5-spoke design, aerodynamically optimised, painted matt black with a high-sheen finish (code R11)

Chrome weather strip

LED High Performance headlamps with integrated LED daytime running lights

Radiator grille in black with two louvres painted silver with chrome insert

Summer tyres



OTR from **£28,525<sup>1</sup>**

<sup>1</sup>The recommended on-the-road price includes the Road Fund Licence applicable to the standard model plus delivery charge (£730.00 incl. VAT), new vehicle registration fee (£55.00), fuel (£50.00 incl. VAT), and number plates (£25.00 incl. VAT). VAT is calculated at the standard rate of 20%. Some of the model features, optional extras and colours shown may not be available, or may only be available in a different specification, or at a different price

Design	Technology	Plug-in Hybrid	Model lines	Upholstery	Model prices	Personalisation	Standard equipment	Genuine accessories	Technical data	Additional information
--------	------------	----------------	-------------	------------	--------------	-----------------	--------------------	---------------------	----------------	------------------------





**Interior**

Comfort seats with adjustable head restraints – ensure good long-distance comfort and are extensively adjustable for length, height and the angle of the seat surface

Heated front seats – seat heating quickly brings the seat cushions and backrests up to a pleasant temperature. Three levels of intensity can be selected

KEYLESS-GO starting function

Rear armrest with two cup holders

Rear seats with fore/aft adjustment – slide the entire rear seat bench forward by 140 mm and adjust the rear seat backrests to a steeper angle

Speed-sensitive power steering

Two-zone automatic climate control with coloured inserts in the air vents

**Communications, Safety and Assistance Systems**

7-inch digital instrument display, 7-inch touchscreen media display

Active Brake Assist – forward collision warning system with autonomous braking intervention

ATTENTION ASSIST – monitors steering behaviour and can help alert you to long journey fatigue

Hard-disk navigation with 3 years free Live Traffic Information

MBUX multimedia system including DAB digital radio and touchpad

Mercedes me Remote Services

Multifunction sports steering wheel in leather, black topstitching and bezel in silver chrome

Speed Limit Assist – detects the speed limit and displays it in the instrument cluster

USB interface in oddments tray and two USB (type C) interfaces in centre console

**Trim and Upholstery**

Spiral look



ARTICO man-made leather/Fléron fabric – black



# B-Class Sport Executive Edition (code DP0) Standard equipment highlights



In addition to/replacement of Sport:

### Exterior

18" alloy wheels – multi-spoke design, painted himalayas grey with a high-sheen finish (code 04R)

Parking package – reversing camera with guidelines, 180° view, front and rear parking sensors

Privacy glass – heat-insulating dark-tinted glass with dark tinting on rear window and rear side windows

Summer tyres



OTR from **£31,125<sup>1</sup>**  
Upgrade price from Sport £2,600

<sup>1</sup>The recommended on-the-road price includes the Road Fund Licence applicable to the standard model plus delivery charge (£730.00 incl. VAT), new vehicle registration fee (£55.00), fuel (£50.00 incl. VAT), and number plates (£25.00 incl. VAT). VAT is calculated at the standard rate of 20%. Some of the model features, optional extras and colours shown may not be available, or may only be available in a different specification, or at a different price





### Interior

10.25-inch touchscreen media display

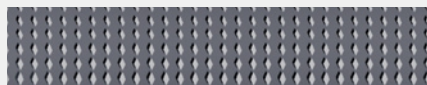
Mirror package - electrically folding exterior mirrors and automatically dimming driver's side mirror and rear view mirror

Smartphone integration<sup>1</sup> including Apple CarPlay® and Android Auto™

<sup>1</sup>Compatible mobile phone required

### Trim and Upholstery

Spiral look



ARTICO man-made leather macchiato beige (also available in black)



# B-Class AMG Line Executive Edition (code DP0) Standard equipment highlights



In addition to/replacement of Sport Executive Edition:

### Exterior

18" AMG alloy wheels – 5-twin-spoke design, aerodynamically optimised, painted black with a high-sheen finish (code RQT)

AMG bodystyling, consisting of AMG front apron with front splitter, AMG side sill panels and AMG rear apron and visible exhaust tailpipes

Edition badging on the front wings

Exclusive diamond radiator grille

Night package

Summer tyres



OTR from **£31,525<sup>1</sup>**  
Upgrade price from Sport Executive Edition £400

<sup>1</sup>The recommended on-the-road price includes the Road Fund Licence applicable to the standard model plus delivery charge (£730.00 incl. VAT), new vehicle registration fee (£55.00), fuel (£50.00 incl. VAT), and number plates (£25.00 incl. VAT). VAT is calculated at the standard rate of 20%. Some of the model features, optional extras and colours shown may not be available, or may only be available in a different specification, or at a different price





**Interior**

Ambient lighting – 64 colours

Pedals – brushed stainless steel sports pedals with rubber studs

Remote and Charging Services Plus (B 250 e only)

Seats – rear seat backrests, split-folding (40:20:40)

Special model floor mats

Sports seats – optimise lateral support for dynamic driving and at the same time provide comfort for everyday use

Steering wheel – 3-spoke, 12-button multifunction sports steering wheel in nappa leather with flattened bottom section and perforated grip area

**Trim and Upholstery**

Matrix-look light longitudinal-grain aluminium trim elements



ARTICO man-made leather/ DINAMICA microfibre in black with contrast stitching in light grey



<sup>1</sup>Compatible mobile phone required

Design	Technology	Plug-in Hybrid	Model lines	Upholstery	Model prices	Personalisation	Standard equipment	Genuine accessories	Technical data	Additional information
--------	------------	----------------	-------------	------------	--------------	-----------------	--------------------	---------------------	----------------	------------------------

# B-Class AMG Line Premium Edition (code DP1) Standard equipment highlights



In addition to/replacement of AMG Line Executive Edition:

### Exterior

18" AMG alloy wheels – 5-twin-spoke design, aerodynamically optimised, painted black with a high-sheen finish (code RQT)

KEYLESS-GO (lock/unlock doors only) with chrome insert on door handle. Doors can be locked and unlocked simply by touching the handle – with no need for you to take the key out of your pocket

Pre-installation for trailer coupling<sup>2</sup>

Summer tyres



OTR from **£33,025<sup>1</sup>**  
 Upgrade price from AMG Line Executive Edition **£1,500**

<sup>1</sup>The recommended on-the-road price includes the Road Fund Licence applicable to the standard model plus delivery charge (£730.00 incl. VAT), new vehicle registration fee (£55.00), fuel (£50.00 incl. VAT), and number plates (£25.00 incl. VAT). VAT is calculated at the standard rate of 20%. Some of the model features, optional extras and colours shown may not be available, or may only be available in a different specification, or at a different price

<sup>2</sup>Pre-installation standard across all engine variants. Please contact your Retailer for availability and pricing for Aftersales retrofit. Please note there is currently no availability to retrofit a tow bar for B250 e





### Interior

10.25-inch digital instrument display

Illuminated front door sills with changeable cover and 'Mercedes-Benz' lettering

### Trim and Upholstery

Matrix-look light longitudinal-grain  
aluminium trim element



ARTICO man-made leather/DINAMICA microfibre  
in black with contrast stitching in light grey



Illuminated front door sills with changeable cover and 'Mercedes-Benz' lettering

# B-Class AMG Line Premium Plus Edition (code DP2) Standard equipment highlights



Option shown: denim blue metallic (code 667)



Option shown: denim blue metallic (code 667)

In addition to/replacement of AMG Line Premium Edition:

### Exterior

18" AMG alloy wheels – 5-twin-spoke design, aerodynamically optimised, painted black with a high-sheen finish (code RQT)

MULTIBEAM LED headlamps with Adaptive Highbeam Assist – consisting of 18 individually-controllable, high-performance LEDs per MULTIBEAM LED module to implement a split main beam with 16 controllable individual segments; LED dipped-beam and main-beam headlamps; cornering light function with activated high beam as well as cornering light function with roundabout and cross-traffic functions; city light, country road light and motorway light modes; adaptive all-LED tail lights. Adaptive Highbeam Assist becomes active from a speed of 18.5 mph on roads with no street lighting, provides automatic main-beam control for permanent broad illumination of the carriageway, and partial switches off the LEDs of the MULTIBEAM LED main-beam modules to avoid dazzling vehicles in front or oncoming traffic

Panoramic glass sunroof – includes tilt position which adapts to vehicle speed in three stages and has convenience closing and automatic rain-sensor closing. Black roof lining as standard

Summer tyres



OTR from **£34,525<sup>1</sup>**

Upgrade price from AMG Line Premium Edition **£1,500**

<sup>1</sup>The recommended on-the-road price includes the Road Fund Licence applicable to the standard model plus delivery charge (£730.00 incl. VAT), new vehicle registration fee (£55.00), fuel (£50.00 incl. VAT), and number plates (£25.00 incl. VAT). VAT is calculated at the standard rate of 20%. Some of the model features, optional extras and colours shown may not be available, or may only be available in a different specification, or at a different price





MULTIBEAM LED headlamps

### Interior

Traffic Sign Assist – a camera scans speed limit signs, so navigation data always displays the current limit

### Trim and Upholstery

Matrix-look light longitudinal-grain aluminium trim elements



ARTICO man-made leather/  
DINAMICA microfibre in black with  
contrast stitching in light grey



### Traffic Sign Assist



# Upholstery

Standard
  No-cost option
  Not available



**321A ARTICO man-made leather/Fléron fabric - black**

Sport	<input checked="" type="checkbox"/>
Sport Executive Edition	<input type="checkbox"/>
AMG Line Edition model lines	<input type="checkbox"/>



**105A ARTICO man-made leather - macchiato beige**

Sport	<input type="checkbox"/>
Sport Executive Edition	<input checked="" type="checkbox"/>
AMG Line Edition model lines	<input type="checkbox"/>



**101A ARTICO man-made leather - black**

Sport	<input type="checkbox"/>
Sport Executive Edition	<input type="checkbox"/>
AMG Line Edition model lines	<input type="checkbox"/>



**641A ARTICO man-made leather/DINAMICA microfibre - black with contrast stitching in light grey**

Sport	<input type="checkbox"/>
Sport Executive Edition	<input type="checkbox"/>
AMG Line Edition model lines	<input checked="" type="checkbox"/>



[Book a test drive](#)[Buy your B-Class](#)[Find a Retailer](#)

# Model prices

Model line	Engine	Transmission	CO <sub>2</sub> WLTP <sup>1*</sup>	Basic RRP excl. VAT (€)	Total RRP incl. VAT (€)	Road Fund Licence (€) <sup>2</sup> WLTP	Rec. OTR price (€) <sup>3</sup> WLTP	P11D value (€)	BiK tax rate 2022/23 (%) <sup>2</sup>
<b>Sport</b>									
B180 d	Diesel – 1,950 cc, 4-cylinder, 116 hp/85 kW	8G-DCT 8-speed automatic	136	23,987.50	28,785.00	230.00	<b>29,875.00</b>	29,590.00	32
B200 d	Diesel – 1,950 cc, 4-cylinder, 150 hp/110 kW	8G-DCT 8-speed automatic	133	25,070.83	30,085.00	230.00	<b>31,175.00</b>	30,890.00	31
B180	Petrol – 1,332 cc, 4-cylinder, 136 hp/100 kW	7G-DCT 7-speed automatic	140	22,862.50	27,435.00	230.00	<b>28,525.00</b>	28,240.00	33
B200	Petrol – 1,332 cc, 4-cylinder, 163 hp/120 kW	7G-DCT 7-speed automatic	140	24,154.17	28,985.00	230.00	<b>30,075.00</b>	29,790.00	33
<b>Sport Executive Edition</b>									
B180 d	Diesel – 1,950 cc, 4-cylinder, 116 hp/85 kW	8G-DCT 8-speed automatic	138	26,154.17	31,385.00	230.00	<b>32,475.00</b>	32,190.00	32
B200 d	Diesel – 1,950 cc, 4-cylinder, 150 hp/110 kW	8G-DCT 8-speed automatic	135	27,237.50	32,685.00	230.00	<b>33,775.00</b>	33,490.00	32
B180	Petrol – 1,332 cc, 4-cylinder, 136 hp/100 kW	7G-DCT 7-speed automatic	141	25,029.17	30,035.00	230.00	<b>31,125.00</b>	30,840.00	33
B200	Petrol – 1,332 cc, 4-cylinder, 163 hp/120 kW	7G-DCT 7-speed automatic	141	26,320.83	31,585.00	230.00	<b>32,675.00</b>	32,390.00	33
<b>AMG Line Executive Edition</b>									
B180 d	Diesel – 1,950 cc, 4-cylinder, 116 hp/85 kW	8G-DCT 8-speed automatic	136	26,487.50	31,785.00	230.00	<b>32,875.00</b>	32,590.00	32
B200 d	Diesel – 1,950 cc, 4-cylinder, 150 hp/110 kW	8G-DCT 8-speed automatic	133	27,570.83	33,085.00	230.00	<b>34,175.00</b>	33,890.00	31
B220 d	Diesel – 1,950 cc, 4-cylinder, 190 hp/140 kW	8G-DCT 8-speed automatic	135	28,862.50	34,635.00	230.00	<b>35,725.00</b>	35,440.00	32
B180	Petrol – 1,332 cc, 4-cylinder, 136 hp/100 kW	7G-DCT 7-speed automatic	139	25,362.50	30,435.00	230.00	<b>31,525.00</b>	31,240.00	32
B200	Petrol – 1,332 cc, 4-cylinder, 163 hp/120 kW	7G-DCT 7-speed automatic	139	26,654.17	31,985.00	230.00	<b>33,075.00</b>	32,790.00	32
B250 e	Petrol – 1,332 cc, 4-cylinder, 160 hp/118 kW Electric motor 102hp/75kW	8G-DCT 8-speed automatic	24	30,925.00	37,110.00	0.00	<b>37,970.00</b>	37,915.00	8

<sup>1</sup>The indicated values were determined according to the prescribed measurement method - Worldwide Harmonised Light Vehicle Test Procedure (WLTP). Figures shown may include options which are not available in the UK. For Plug-in Hybrid Electric Vehicle (PHEV) figures determined with the battery fully charged, using a combination of both battery power and fuel. These models require mains electricity for charging. <sup>2</sup>Figures shown are for comparability purposes; only compare with other cars tested to the same technical procedures. Figures may not reflect real life driving results, which will depend upon a number of factors including the starting charge of the battery, factory-fitted options, accessories fitted (post registration), variations in weather, driving styles and vehicle load. Further information about the test used to establish fuel consumption and CO<sub>2</sub> figures can be found at <http://www.mercedes-benz.co.uk/WLTP>. <sup>3</sup>B180 d, B200 d and B220 d engines are RDE (Real Driving Emissions) Step 2 Certified (Euro 6d). This results in a lower VED and BiK rate as these engines will not be subject to the diesel surcharge. A different first year rate of Vehicle Excise Duty (Road Fund Licence) applies for new cars. Please refer to page 37 for the relevant rate for the second and subsequent years. <sup>4</sup>The recommended on-the-road price includes the Road Fund Licence applicable to the standard model plus delivery charge (£730.00 incl. VAT), new vehicle registration fee (£55.00), fuel (£50.00 incl. VAT), and number plates (£25.00 incl. VAT). VAT is calculated at the standard rate of 20%. Some of the model features, optional extras and colours shown may not be available, or may only be available in a different specification, or at a different price.

[Book a test drive](#)[Buy your B-Class](#)[Find a Retailer](#)

# Model prices

Model line	Engine	Transmission	CO <sub>2</sub> WLTP <sup>1*</sup>	Basic RRP excl. VAT (£)	Total RRP incl. VAT (£)	Road Fund Licence (£) <sup>2</sup> WLTP	Rec. OTR price (£) <sup>3</sup> WLTP	P11D value (£)	BiK tax rate 2022/23 (%) <sup>2</sup>
<b>AMG Line Premium Edition</b>									
B180 d	Diesel – 1,950 cc, 4-cylinder, 116 hp/85 kW	8G-DCT 8-speed automatic	136	27,737.50	33,285.00	230.00	<b>34,375.00</b>	34,090.00	32
B200 d	Diesel – 1,950 cc, 4-cylinder, 150 hp/110 kW	8G-DCT 8-speed automatic	133	28,820.33	34,585.00	230.00	<b>35,675.00</b>	35,390.00	31
B220 d	Diesel – 1,950 cc, 4-cylinder, 190 hp/140 kW	8G-DCT 8-speed automatic	135	30,112.50	36,135.00	230.00	<b>37,225.00</b>	36,940.00	32
B180	Petrol – 1,332 cc, 4-cylinder, 136 hp/100 kW	7G-DCT 7-speed automatic	140	26,612.50	31,935.00	230.00	<b>33,025.00</b>	32,740.00	33
B200	Petrol – 1,332 cc, 4-cylinder, 163 hp/120 kW	7G-DCT 7-speed automatic	140	27,904.17	33,485.00	230.00	<b>34,575.00</b>	34,290.00	33
B250 e	Petrol – 1,332 cc, 4-cylinder, 160 hp/118 kW Electric motor 102 hp/75 kW	8G-DCT 8-speed automatic	24	32,175.00	38,610.00	0.00	<b>39,470.00</b>	39,415.00	8
<b>AMG Line Premium Plus Edition</b>									
B180 d	Diesel – 1,950 cc, 4-cylinder, 116 hp/85 kW	8G-DCT 8-speed automatic	137	28,987.50	34,785.00	230.00	<b>35,875.00</b>	35,590.00	32
B200 d	Diesel – 1,950 cc, 4-cylinder, 150 hp/110 kW	8G-DCT 8-speed automatic	134	30,070.83	36,085.00	230.00	<b>37,175.00</b>	36,890.00	31
B220 d	Diesel – 1,950 cc, 4-cylinder, 190 hp/140 kW	8G-DCT 8-speed automatic	136	31,362.50	37,635.00	230.00	<b>38,725.00</b>	38,440.00	32
B180	Petrol – 1,332 cc, 4-cylinder, 136 hp/100 kW	7G-DCT 7-speed automatic	141	27,862.50	33,435.00	230.00	<b>34,525.00</b>	34,240.00	33
B200	Petrol – 1,332 cc, 4-cylinder, 163 hp/120 kW	7G-DCT 7-speed automatic	141	29,154.17	34,985.00	230.00	<b>36,075.00</b>	35,790.00	33
B250 e	Petrol – 1,332 cc, 4-cylinder, 160 hp/118 kW Electric motor 102 hp/75 kW	8G-DCT 8-speed automatic	25	33,425.00	40,110.00	0.00	<b>40,970.00</b>	40,915.00	8

<sup>1</sup>The indicated values were determined according to the prescribed measurement method - Worldwide Harmonised Light Vehicle Test Procedure (WLTP). Figures shown may include options which are not available in the UK. For Plug-in Hybrid Electric Vehicle (PHEV) figures determined with the battery fully charged, using a combination of both battery power and fuel. These models require mains electricity for charging. <sup>2</sup>Figures shown are for comparability purposes; only compare with other cars tested to the same technical procedures. Figures may not reflect real life driving results, which will depend upon a number of factors including the starting charge of the battery, factory-fitted options, accessories fitted (post registration), variations in weather, driving styles and vehicle load. Further information about the test used to establish fuel consumption and CO<sub>2</sub> figures can be found at <http://www.mercedes-benz.co.uk/WLTP>. <sup>3</sup>B180 d, B200 d and B220 d engines are RDE (Real Driving Emissions) Step 2 Certified (Euro 6d). This results in a lower VED and BiK rate as these engines will not be subject to the diesel surcharge. A different first year rate of Vehicle Excise Duty (Road Fund Licence) applies for new cars. Please refer to page 37 for the relevant rate for the second and subsequent years. <sup>4</sup>The recommended on-the-road price includes the Road Fund Licence applicable to the standard model plus delivery charge (£730.00 incl. VAT), new vehicle registration fee (£55.00), fuel (£50.00 incl. VAT), and number plates (£25.00 incl. VAT). VAT is calculated at the standard rate of 20%. Some of the model features, optional extras and colours shown may not be available, or may only be available in a different specification, or at a different price.



# Colour options

Non-metallic, metallic and MANUFAKTUR paints

● Standard   ○ Optional   – Not available



## 149 polar white non-metallic

Sport model lines	●
AMG Line Edition model lines	●
<b>Total RRP incl. VAT</b>	–



## 191 cosmos black metallic

Sport model lines	○
AMG Line Edition model lines	○
<b>Total RRP incl. VAT</b>	<b>£625.00</b>



## 775 iridium silver metallic

Sport model lines	○
AMG Line Edition model lines	○
<b>Total RRP incl. VAT</b>	<b>£625.00</b>



## 993 MANUFAKTUR patagonia red metallic

Sport model lines	–
AMG Line Edition model lines	○
<b>Total RRP incl. VAT</b>	<b>£825.00</b>



## 144 digital white metallic

Sport model lines	○
AMG Line Edition model lines	○
<b>Total RRP incl. VAT</b>	<b>£625.00</b>



## 667 denim blue metallic

Sport model lines	○
AMG Line Edition model lines	○
<b>Total RRP incl. VAT</b>	<b>£625.00</b>



## 787 mountain grey metallic

Sport model lines	○
AMG Line Edition model lines	○
<b>Total RRP incl. VAT</b>	<b>£625.00</b>



## 817 rosé gold metallic

Sport model lines	○
AMG Line Edition model lines	○
<b>Total RRP incl. VAT</b>	<b>£625.00</b>

Please note that, owing to limitations of on-screen representation, paint colours may differ from those shown

[Book a test drive](#)[Buy your B-Class](#)[Find a Retailer](#)

# Driving Assistance package

The Driving Assistance package contains a range of highly intelligent features to help you stay safe on the road – by making the drive more effortless, by warning of danger, and by taking steps to protect you in an emergency.

**Driving Assistance package** (code PAY) – designed and priced as a package, including items listed on the right-hand side.

**AMG Line Premium Plus Edition only**

**Total incl. VAT £1,495.00**



**Active Blind Spot Assist** can warn the driver of vehicles in the blind spot during a lane change and can help to avoid a collision by means of one-sided braking intervention

**Active Braking Assist with cross-traffic function** can help to avoid accidents with vehicles ahead, crossing traffic and also pedestrians, and/or mitigate their consequences

**Active Distance Assist DISTRONIC** helps maintain the desired distance from the vehicle in front

**Active Emergency Stop Assist:** immediate emergency braking if evasion is impossible

**Active Speed Limit Assist** ensures detected speed limits are automatically adopted as the set speed for Active Distance Assist DISTRONIC

**Active Steering Assist:** targeted steering intervention to prevent unintentional drifting out of lane

**Evasive Steering Assist** can support the driver in making evasive manoeuvres if, in a dangerous situation, he/she moves to avoid any pedestrian detected by the system

**Route-based speed adjustment:** adaption of speed before curves, roundabouts and junctions

[Design](#)[Technology](#)[Plug-in Hybrid](#)[Model lines](#)[Upholstery](#)[Model prices](#)[Personalisation](#)[Standard equipment](#)[Genuine accessories](#)[Technical data](#)[Additional information](#)



[Book a test drive](#)[Buy your B-Class](#)[Find a Retailer](#)

# Standard equipment

● Standard    – Not available

## Engine, Transmission and Suspension

	AMG Line Premium Plus Edition	AMG Line Premium Edition	AMG Line Executive Edition	AMG Line Sport
Cruise Control with Limiter	●	●	●	●
Driving modes – DYNAMIC SELECT with a choice of driving modes: Eco, Comfort, Sport and Individual	●	●	●	●
ECO start/stop function	●	●	●	●
Suspension – comfort suspension	●	●	–	–
Suspension – comfort suspension (B 250 e only)	–	–	●	●
Suspension – lowered comfort suspension (lowered by 15 mm rear and 20 mm front)	–	–	●	●

## Exterior

	AMG Line Premium Plus Edition	AMG Line Premium Edition	AMG Line Executive Edition	AMG Line Sport
AMG bodystyling – AMG front apron with front splitter, AMG rear apron and visible exhaust tailpipe trim elements	–	–	●	●
Beltline strips – chrome	●	●	–	–
Bodystyling – body-coloured side skirts	●	●	●	●
Bumpers – body-coloured	●	●	●	●
Door handles – body-coloured (chrome insert in conjunction with KEYLESS-GO)	●	●	●	●
Door mirrors – electrically adjustable and heated, with integrated LED indicators	●	●	●	●
Door sills – front door sills with 'Mercedes-Benz' lettering	●	●	●	–
Door sills – illuminated front door sills with changeable cover	–	–	–	●
Edition badging on the front wings	–	–	●	●
Exhaust system – twin trapezoidal tailpipes in polished stainless steel	●	●	●	●
Glass – rear windscreen, heated with timer control	●	●	●	●
Lights – high-level third brake light, LED	●	●	●	●

	AMG Line Premium Plus Edition	AMG Line Premium Edition	AMG Line Executive Edition	AMG Line Sport
Lights – LED High Performance headlamps with integrated LED daytime running lights	●	●	●	●
Lights – LED tail lamps and LED brake lights	●	●	●	●
Lights – MULTIBEAM LED headlamps with Adaptive Highbeam Assist	–	–	–	●
Mirrors – Mirror package	–	●	●	●
Night package	–	–	●	●
Panoramic glass sunroof	–	–	–	●
Parking – Parking package	–	●	●	●
Parking – reversing camera with dynamic guidelines on media display, 180° view	●	●	●	●
Privacy glass	–	●	●	●
Radiator grille – diamond radiator grille with pins in black, silver-painted louvre and insert in chrome	●	●	–	–
Radiator grille – exclusive diamond radiator grille	–	–	●	●
Window line – chrome	●	●	–	–
Wiper system – rear windscreen wiper	●	●	●	●

## Wheels

	AMG Line Premium Plus Edition	AMG Line Premium Edition	AMG Line Executive Edition	AMG Line Sport
17" alloy wheels – 5-twin-spoke design, aerodynamically optimised, painted matt black with a high-sheen finish, 205/55 R17 tyres (code R11)	●	–	–	–
18" alloy wheels – multi-spoke design, painted himalayas grey with a high-sheen finish, 225/45 R18 tyres (code 04R)	–	●	–	–
18" AMG alloy wheels – 5-spoke design, aerodynamically optimised, painted black with a high-sheen finish, 225/45 R18 tyres (code RQT)	–	–	●	●
Summer tyres	●	●	●	●

[Book a test drive](#)[Buy your B-Class](#)[Find a Retailer](#)

# Standard equipment

● Standard    – Not available

## Interior

	AMG Line Premium Plus Edition	AMG Line Premium Edition	AMG Line Executive Edition	Sport Executive Edition	Sport
Air conditioning – air vents with surround in silver chrome	●	●	●	●	●
Air conditioning – THERMOTRONIC luxury automatic climate control, two-zone, with display	●	●	●	●	●
Armrest – front centre, with stowage	●	●	●	●	●
Armrest – rear centre, with two cup holders	●	●	–	–	–
Cup holder – twin, front	●	●	●	●	●
Floor mats – velour	●	●	–	–	–
Floor mats – with black top stitching, embroidered edition logo and piping in light grey	–	–	●	●	●
Freight packaging without tie-down hooks	●	●	●	●	●
Instrument cluster – fluid level warning indicators for fuel, oil, coolant and washer	●	●	●	●	●
Instrument cluster – outside temperature display	●	●	●	●	●
Instrument cluster – service indicator ASSYST	●	●	●	●	●
Instrument cluster – trip computer in multifunction display with consumption indicator	●	●	●	●	●
Interior lighting – 64-colour ambient lighting	–	–	●	●	●
Interior lighting – Light and Sight package	●	●	●	●	●
Interior lighting – mirror with reading lamps in black, frameless	●	●	●	●	●
Luggage net on driver's and front passenger's backrests	●	●	●	●	●
Owners Manual and Service Booklet – English	●	●	●	●	●
Pedals – brushed stainless steel sports pedals with rubber studs	–	–	●	●	●
Seats – comfort seats with adjustable head restraints	●	●	–	–	–
Seats – heated front seats	●	●	●	●	●
Seats – rear seat backrests, split-folding (40:20:40)	–	–	●	●	●
Seats – rear seats with fore/aft adjustment	●	●	–	–	–

Seats – Seat Comfort package consisting of front passenger seat height adjustment, seat cushion angle adjustment for the driver as well as seat cushion depth adjustment for improved seating comfort thanks to a 60 mm greater supporting surface for the thighs	●	●	●	●	–
Seats – Seat Comfort package consisting of front passenger seat height adjustment, seat cushion angle adjustment for the driver and front passenger seat as well as seat cushion depth adjustment for improved seating comfort thanks to a 60 mm greater supporting surface for the thighs	–	–	–	–	●
Seats – sport seats with adjustable head restraints	–	–	●	●	●
Stowage – luggage compartment cover	●	●	●	●	●
Sun visor with illuminated vanity mirror	●	●	●	●	●
Touchpad on centre console	●	●	●	●	●
Windows – electric windows (4)	●	●	●	●	●

## Steering

Steering – Direct-Steer system	–	–	●	●	●
Steering – speed-sensitive power steering	●	●	●	●	●
Steering column – manually adjustable for height and reach	●	●	●	●	●
Steering wheel – shift paddles	●	●	–	–	–
Steering wheel – galvanised shift paddles	–	–	●	●	●
Steering wheel – multifunction sports steering wheel in leather with black topstitching and bezel in silver chrome	●	●	–	–	–
Steering wheel – 3-spoke multifunction sports steering wheel in nappa leather with flattened bottom section and perforated grip area	–	–	●	●	●



[Book a test drive](#)[Buy your B-Class](#)[Find a Retailer](#)

# Standard equipment

● Standard    – Not available

## Paint, Trim and Upholstery

	Sport	AMG Line Executive Edition	AMG Line Premium Edition	AMG Line Premium Plus Edition	AMG Line Premium Plus Edition
Paint – non-metallic	●	●	●	●	●
Roof lining – black	●	●	●	●	●
Trim – spiral look	●	●	–	–	–
Trim – matrix-look light longitudinal-grain aluminium trim elements	–	–	●	●	●
Upholstery – ARTICO man-made leather/Fléron fabric in black	●	–	–	–	–
Upholstery – ARTICO man-made leather/DINAMICA microfibre in black with contrast stitching in grey including upper part of dashboard and beltline	–	–	●	●	●
Upholstery – ARTICO man-made leather in macchiato beige (also available in black)	–	●	–	–	–

## Safety and Assistance Systems

Acoustic ambient protection (B 250 e only)	–	–	●	●	●
Active Brake Assist – with autonomous braking intervention	●	●	●	●	●
Active bonnet – pedestrian safety measure which detects an impact and raises bonnet by 65 mm	●	●	●	●	●
Airbags – dual-stage, driver and front passenger	●	●	●	●	●
Airbags – headbags and sidebags for driver and front passenger	●	●	●	●	●
Airbags – kneebag for driver	●	●	●	●	●
Airbags – windowbags for driver and front passenger	●	●	●	●	●
Alarm system with immobiliser and interior protection – Thatcham category 1 (T1)	●	●	●	●	●
ATTENTION ASSIST	●	●	●	●	●
Braking – Adaptive Brake Assist with HOLD function and Hill Start Assist	●	●	●	●	●
Braking – adaptive brake lights	●	●	●	●	●

	Sport	AMG Line Executive Edition	AMG Line Premium Edition	AMG Line Premium Plus Edition	AMG Line Premium Plus Edition
Braking – anti-lock braking system (ABS) with Brake Assist (BAS)	●	●	●	●	●
Braking – brake-pad wear warning indicator	●	●	●	●	●
Braking – electric parking brake	●	●	●	●	●
Charging cable – Mode 3 cable (5 metres, straight) for wallbox and public charging stations (B 250 e only)	–	–	●	●	●
Charging system – AC charging system rated at 7.4 kW (B 250 e only)	–	–	●	●	●
Charging socket (B 250 e only)	–	–	●	●	●
Car wash mode – the exterior mirrors fold in, side windows and sliding roof close, windscreen wipers remain switched off and the climate control switches to air-recirculation mode	●	●	●	●	●
Crash-responsive emergency lighting	●	●	●	●	●
Electronic Stability Programme (ESP®) with Acceleration Skid Control (ASR)	●	●	●	●	●
ESP® Curve Dynamic Assist	●	●	●	●	●
First-aid kit and warning triangle	●	●	●	●	●
Headlamp Assist – automatic headlamp activation	●	●	●	●	●
KEYLESS-GO (lock/unlock doors only) with chrome insert on door handle. Doors can be locked and unlocked simply by touching the handle – with no need for you to take the key out of your pocket	–	–	–	●	●
KEYLESS-GO starting function	●	●	●	●	●
Lamp failure indicator	●	●	●	●	●
Locking – childproof rear doors (manually operated) and rear electric windows (electrically operated)	●	●	●	●	●
Locking – remote central locking and crash sensor with emergency opening function	●	●	●	●	●
Pre-entry climate control (B 250 e only)	–	–	●	●	●

[Book a test drive](#)[Buy your B-Class](#)[Find a Retailer](#)

# Standard equipment

● Standard    – Not available

## Safety and Assistance Systems (continued)

	Sport	AMG Line Executive Edition	AMG Line Premium Edition	AMG Line Premium Plus Edition	
Pre-installation for trailer coupling <sup>1</sup>	–	–	–	●	●
Radar-based recuperation (B 250 e only)	–	–	●	●	●
Rain-sensing windscreen wipers with two sensitivity settings	●	●	●	●	●
Rear fog lamp	●	●	●	●	●
Seat belts – black	●	●	●	●	●
Seat belts – three-point, rear (3)	●	●	●	●	●
Seats – automatic child seat recognition sensor (pressure sensor)	●	●	●	●	●
Seats – front and rear seat belt reminder	●	●	●	●	●
Seats – front passenger seat occupancy sensor	●	●	●	●	●
Seats – ISOFIX and top-tether child seat fixing points in rear (two outer seats)	●	●	●	●	●
Speed Limit Assist	●	●	●	●	●
Traffic Sign Assist	–	–	–	–	●
Tyres – TIREFIT tyre-sealant kit	●	●	●	●	●
Tyres – tyre pressure monitoring system	●	●	●	●	●
URBAN GUARD vehicle protection with anti-theft alarm system	●	●	●	●	●

## Communications and In-Car Entertainment

	Sport	AMG Line Executive Edition	AMG Line Premium Edition	AMG Line Premium Plus Edition	
DAB digital radio tuner	●	●	●	●	●
Dual Bluetooth® interface	●	●	●	●	●
GPS aerial	●	●	●	●	●
Hard-disk navigation	●	●	●	●	●
“Hey Mercedes” voice activation	●	●	●	●	●
Instrument display – 7-inch digital display	●	–	●	–	–
Instrument display – 10.25-inch digital display	–	●	–	●	●
Live Traffic Information (free for first three years)	●	●	●	●	●
MBUX multimedia system <sup>2</sup>	●	●	●	●	●
Media display – 7-inch touchscreen display	●	–	–	–	–
Media display – 10.25-inch touchscreen display	–	●	●	●	●
Mercedes me connect (standard services) Including emergency call system (eCall), accident recovery, breakdown and maintenance management	●	●	●	●	●
Mercedes me Remote Services	●	●	●	●	●
Pre-installation for private car sharing	●	●	●	●	●
Remote and Charging Services Plus (B 250 e only)	–	–	●	●	●
Smartphone integration <sup>3</sup> including Apple CarPlay® and Android Auto™	–	●	●	●	●
Sound system – Mercedes-Benz sound system, 100 W	●	●	●	●	●
USB (type C) ports: two in stowage compartment and one in front of centre console	●	●	●	●	●

<sup>1</sup>Pre-installation standard across all engine variants. Please contact your Retailer for availability and pricing for Aftersales retrofit. Please note there is currently no availability to retrofit a tow bar for B 250 e

<sup>2</sup>LINGUATRONIC off-board functions are currently only available for 3 years

<sup>3</sup>Compatible mobile phone required



# Genuine accessories

We've developed a range of Accessories you can add to help personalise and enhance your B-Class.



### DUO plus child seat, with ISOFIX, ECE + China

Safe and secure: children between the ages of around 9 months and 4 years (age group I, weight 9–18 kg) will enjoy travelling in the 'DUO plus' child seat from Mercedes-Benz. The seat offers optimum protection in the event of an accident. A quick change of position: sitting, reclining and sleeping positions are adjustable with one simple manoeuvre. (A0009704302)



### KIDFIX XP child seat, with ISOFIT, ECE + China

Support and safety for older children too: The quality KIDFIX XP child seat is suitable for children between the ages of around 3.5 and 12 years (body weight of 15–36 kg) and is securely attached to the vehicle by means of ISOFIX. The front-facing seat can also be secured in place using the vehicle seat belt in addition to ISOFIT. If the vehicle is not equipped with ISOFIT, the ISOFIT locking latches are folding and the seat secured using only the three-point seat belt. (A0009704902)



### Velour floor mats CLASSIC, set, 4-piece, mid grey topstitching

Floor mats have to undergo rigorous testing before they are deemed worthy of the star logo: durability, fade-resistant colour and a neutral odour. The mats are precision-tailored to your Mercedes-Benz using the vehicle's original CAD data and can be clip-fastened to the vehicle floor to prevent slipping. (A24768064027C70)

All the above accessories are subject to availability and compatibility. Please ask your Mercedes-Benz Retailer for more information

Images shown are for illustration purposes only

Design	Technology	Plug-in Hybrid	Model lines	Upholstery	Model prices	Personalisation	Standard equipment	Genuine accessories	Technical data	Additional information
--------	------------	----------------	-------------	------------	--------------	-----------------	--------------------	---------------------	----------------	------------------------



### Boot tub, shallow

For everyday transport choose the easy-care boot tub. The shape of the tub, with its slightly raised edge, is optimally tailored to the load area. Structured surface prevents the load from sliding around. (A2478140000)



### Storage crate

The robust plastic storage crate creates order in the boot. Small parts, shopping bags or bottles can be securely transported. With the three accompanying partition grilles you can divide the crate into up to four areas. Capacity: 66 litres. (A0008140041)



### Concertina load sill protector

The concertina load sill protector not only protects the boot, but also protects the bumper and boot sill from becoming scratched. (A2536932000)

All the above accessories are subject to availability and compatibility. Please ask your Mercedes-Benz Retailer for more information. Images shown are for illustration purposes only.

Design	Technology	Plug-in Hybrid	Model lines	Upholstery	Model prices	Personalisation	Standard equipment	Genuine accessories	Technical data	Additional information
--------	------------	----------------	-------------	------------	--------------	-----------------	--------------------	---------------------	----------------	------------------------

[Book a test drive](#)[Buy your B-Class](#)[Find a Retailer](#)

# Technical data

Model	B180	B200	B250 e	B180 d	B200 d	B220 d
<b>Engine</b>						
Fuel delivery	Petrol	Petrol	Petrol	Diesel	Diesel	Diesel
Total displacement cc	1,332	1,332	1,332	1,950	1,950	1,950
Arrangement/cylinders/valves	in-line/4/16	in-line/4/16	in-line/4/16	in-line/4/16	in-line/4/16	in-line/4/16
Power <sup>1</sup> hp (kW) at rpm						
Combustion engine	136 (100)/5,500	163 (120)/5,500	160 (118)/5,500	116 (85)/3,400	150 (110)/3,400-4,400	190 (140)/3,800
Electric motor	-	-	102 (75)/2,500	-	-	-
System output	-	-	218 (160)	-	-	-
Torque <sup>1</sup> Nm at rpm						
Combustion engine	200/1,460-4,000	250/1,620-4,000	250/1,620-4,000	280/1,300-2,600	320/1,400-3,200	400/1,600-2,600
Electric motor	-	-	300/2,000	-	-	-
System output	-	-	450	-	-	-
Compression ratio	10.6:1	10.6:1	10.6:1	15.5:1	15.5:1	15.5:1
Equivalent All-Electric Range (EAER) <sup>2</sup> mi	-	-	42	-	-	-
Battery type (usable) kWh	-	-	Lithium-ion/10.6	-	-	-
Range power consumption, combined <sup>2,3</sup> kWh/100 km	-	-	15.4-14.7	-	-	-
AC charging time, 10-100% <sup>4</sup>						
At a domestic socket <sup>5</sup>	-	-	5 hrs 30 mins	-	-	-
At a wallbox	-	-	1 hr 45 mins/3 hrs 15 mins	-	-	-
Capacity on-board charger kW	-	-	10.9	-	-	-
Emissions standard	EURO 6D-ISC-FCM	EURO 6D-ISC-FCM	EURO 6D-ISC-FCM	EURO 6D-ISC-FCM	EURO 6D-ISC-FCM	EURO 6D-ISC-FCM

<sup>1</sup>Figures according to Directive 80/1269/EEC in the currently applicable version   <sup>2</sup>The indicated values were determined according to the prescribed measurement method - Worldwide Harmonised Light Vehicle Test Procedure (WLTP). Figures shown may include options which are not available in the UK. For Plug-in Hybrid Electric Vehicle (PHEV) figures determined with the battery fully charged, using a combination of both battery power and fuel. These models require mains electricity for charging   <sup>3</sup>The certified electrical consumption is generally determined at maximum AC charging capacity using a Mode 3 cable. It is therefore recommended that vehicles with a HV battery preferably be charged at a wallbox or an AC charging station with a Mode 3 cable in order to achieve shorter charging times and improved charging efficiency   <sup>4</sup>Specified voltage and current values refer to network infrastructure and can be limited by the vehicle. Times are from 10-100% charge using a wallbox (three-phase) or standard socket (single-phase)   <sup>5</sup>**If you are planning to charge your Mercedes-Benz plug-in electric vehicle using a 3-pin domestic plug socket you must get a qualified electrician to inspect and sign off the socket to confirm it is safe and suitable to charge your vehicle. Do not use an electric vehicle 3-pin charge cable with an extension cord**



[Book a test drive](#)[Buy your B-Class](#)[Find a Retailer](#)

# Technical data

● Standard    – Not available

Model	B180	B200	B250 e	B180 d	B200 d	B220 d
<b>Transmission</b>						
7G-DCT 7-speed automatic	●	●	–	–	–	–
8G-DCT 8-speed automatic	–	–	●	●	●	●

<b>Performance</b>							
Acceleration 0–62 mph	sec	9.0	8.2	6.8	9.8	8.3	7.2
Top speed (electric mode)	mph	132	139	146 (87)	124	136	145

<b>Weights and capacities</b>							
Kerb weight <sup>6</sup>	kg	1,405	1,410	1,725	1,535	1,535	1,565
Perm. Gross Vehicle Weight	kg	1,955	1,960	2,225	2,075	2,075	2,080
Boot capacity – seats up		455	455	405	445	445	445
seats down	l	1,540	1,540	1,440	1,530	1,530	1,530
Towing capacity – unbraked		700	705	750	750	750	750
braked	kg	1,400	1,600	1,600 <sup>7</sup>	1,400	1,600	1,600
Fuel tank capacity/of which reserve	l	43/5	43/5	35/5	43/5	43/5	51/5
Turning circle	m	11.00	11.00	11.00	11.00	11.00	11.00

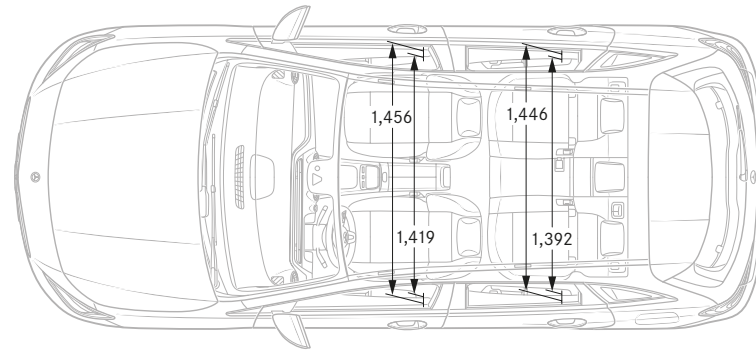
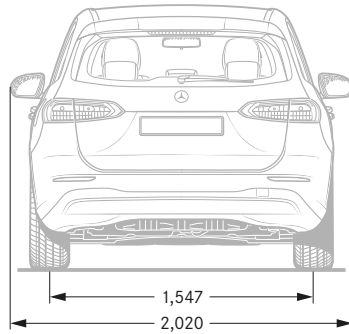
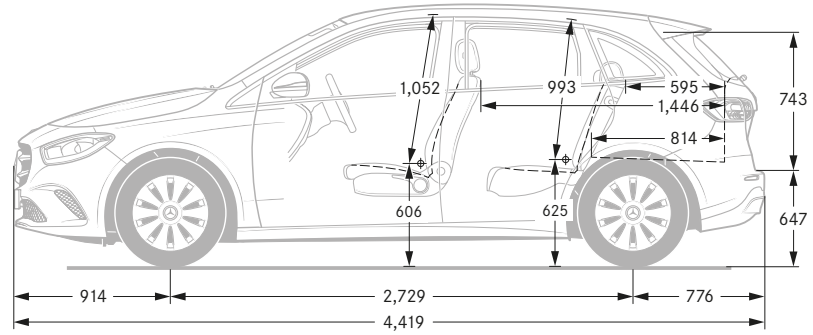
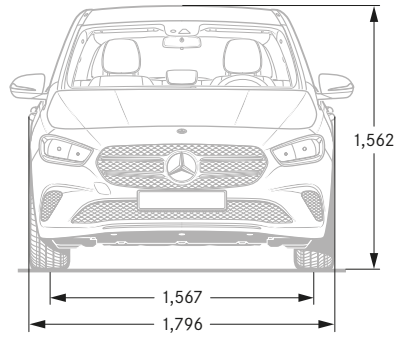
<b>Fuel consumption<sup>8,9,10</sup></b>							
Combined (consumption dependent on chosen optional equipment)	l/100 km mpg	6.2–6.1 45.6–46.3	6.2–6.1 45.6–46.3	1.1 256.8	5.3–5.2 53.3–54.3	5.1 55.4	5.2–5.1 54.3–55.4

<b>Insurance</b>							
Group rating		18E–20E	21E–23E	31E	17E–18E	21E–23E	26E–27E

Insurance ratings may vary depending on model line and specification. Please refer to <http://www.thatcham.org/abigrouprating/> for further details

<sup>6</sup>Mass of the vehicle in running order with at least 90% full fuel tank, plus the mass of the driver (estimated by law at 75 kg), fuel and fluids, equipped with the standard equipment as specified by the manufacturer as well as, where applicable, the mass of the body, cab, trailer coupling and spare wheel(s) as well as tools. Optional extras, additional equipment and accessories can influence the weight, residual payload, rolling resistance, aerodynamics, etc., and therefore also affect the consumption/CO<sub>2</sub> values    <sup>7</sup>Please note there is currently no availability to retrofit a tow bar for B250 e    <sup>8</sup>All figures are based on a standard specification with the smallest tyre size    <sup>9</sup>The choice of wheels and transmission may affect CO<sub>2</sub> emissions and corresponding Road Fund Licence    <sup>10</sup>The indicated values were determined according to the prescribed measurement method - Worldwide Harmonised Light Vehicle Test Procedure (WLTP). Figures shown may include options which are not available in the UK

## AMG Line Executive Edition/Premium Edition/Premium Plus Edition



All measurements in millimetres. The dimensions shown are mean values and apply to standard-specification, unladen vehicles

Design	Technology	Plug-in Hybrid	Model lines	Upholstery	Model prices	Personalisation	Standard equipment	Genuine accessories	Technical data	Additional information
--------	------------	----------------	-------------	------------	--------------	-----------------	--------------------	---------------------	----------------	------------------------



Book a test drive



Buy your B-Class



Find a Retailer

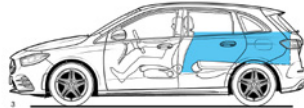
## AMG Line Executive Edition/Premium Edition/Premium Plus Edition – Boot capacity (PHEV)



1 Open luggage compartment behind rear seat, loaded to upper edge of rear seat backrest, volume 405 litres (V 211-2)



2 Open luggage compartment behind rear seat, loaded to roof, volume 515 litres (V 214-2)



3 Open luggage compartment behind driver's seat, rear seat backrest folded, loaded to upper edge of driver's backrest, volume 1,030 litres (V 211-1)



4 Open luggage compartment behind driver's seat, rear seat backrest folded, loaded to roof, volume 1,440 litres (V 214-1)



5 Largest cuboid: Dimensions 1,275 × 936 × 652 mm, volume 778 litres

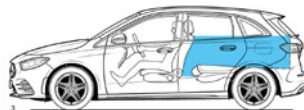
## AMG Line Executive Edition/Premium Edition/Premium Plus Edition – Boot capacity (combustion)



1 Open luggage compartment behind rear seat, loaded to upper edge of rear seat backrest, volume 440 litres (V 211-2)



2 Open luggage compartment behind rear seat, loaded to roof, volume 575 litres (V 214-2)



3 Open luggage compartment behind driver's seat, rear seat backrest folded, loaded to upper edge of driver's backrest, volume 1,100 litres (V 211-1)



4 Open luggage compartment behind driver's seat, rear seat backrest folded, loaded to roof, volume 1,525 litres (V 214-1)



5 Largest cuboid: Dimensions 1,275 × 936 × 652 mm, volume 778 litres

Design	Technology	Plug-in Hybrid	Model lines	Upholstery	Model prices	Personalisation	Standard equipment	Genuine accessories	Technical data	Additional information
--------	------------	----------------	-------------	------------	--------------	-----------------	--------------------	---------------------	----------------	------------------------





# Road Fund Licence

All road vehicle registrations are subject to Vehicle Excise Duty (Road Fund Licence), which varies in accordance with the vehicle's CO<sub>2</sub> emissions. A first year rate for each taxation band will apply. The table below shows the bands (A–M) created by the DVLA and the corresponding Road Fund Licence. CO<sub>2</sub> emissions and the relevant Excise Duty are shown on the model pricing pages.

Band	CO <sub>2</sub> emissions (g/km)	First year rate petrol and RDE2 diesel (£)	First year rate all other diesel (£) <sup>1</sup>	First year rate alternative fuel (£)	Electric vehicles		Alternative fuel vehicles		Petrol/diesel vehicles	
					Standard rate (£)	Premium rate (£) <sup>2</sup>	Standard rate (£)	Premium rate (£) <sup>2</sup>	Standard rate (£)	Premium rate (£) <sup>2</sup>
A	0	0.00	0.00	0.00	0.00	0.00	0.00	0.00	0.00	0.00
B	1 to 50	10.00	25.00	0.00	0.00	0.00	155.00	510.00	165.00	520.00
C	51 to 75	25.00	120.00	15.00	0.00	0.00	155.00	510.00	165.00	520.00
D	76 to 90	120.00	150.00	110.00	0.00	0.00	155.00	510.00	165.00	520.00
E	91 to 100	150.00	170.00	140.00	0.00	0.00	155.00	510.00	165.00	520.00
F	101 to 110	170.00	190.00	160.00	0.00	0.00	155.00	510.00	165.00	520.00
G	111 to 130	190.00	230.00	180.00	0.00	0.00	155.00	510.00	165.00	520.00
H	131 to 150	230.00	585.00	220.00	0.00	0.00	155.00	510.00	165.00	520.00
I	151 to 170	585.00	945.00	575.00	0.00	0.00	155.00	510.00	165.00	520.00
J	171 to 190	945.00	1,420.00	935.00	0.00	0.00	155.00	510.00	165.00	520.00
K	191 to 225	1,420.00	2,015.00	1,410.00	0.00	0.00	155.00	510.00	165.00	520.00
L	226 to 255	2,015.00	2,365.00	2,005.00	0.00	0.00	155.00	510.00	165.00	520.00
M	over 255	2,365.00	2,365.00	2,355.00	0.00	0.00	155.00	510.00	165.00	520.00



Some of the model features, optional extras and colours shown may not be available, or may only be available in a different specification, or at a different price

<sup>1</sup>Applies to all Mercedes-Benz diesel models which do not comply with RDE (Real Driving Emissions) Step 2 Certified (Euro 6d)

<sup>2</sup>Premium rate only applicable to vehicles where the list price is over £40,000 including any factory-fitted options, standard UK delivery charge and VAT



# Services and insurance

## Mercedes-Benz ServiceCare

We believe that servicing costs should be as flexible and affordable as possible for your B-Class, which is why we offer ServiceCare, an easy way to budget for all your servicing costs. It spreads your bills into manageable payments based on whether you have a new or used Mercedes-Benz. With ServiceCare we guarantee the price of parts and labour for up to four services and safeguard against any further inflation. It also covers the cost of all recommended service items including brake fluid, spark plugs, air filters, fuel filters and screen wash. You can choose either to add your servicing costs into your monthly spend or pay the full amount in a one-off payment, giving you peace of mind that they are taken care of for the period of the plan.

[› Click here for more information](#)

## Warranty and breakdown cover

Every Mercedes-Benz comes with a three-year unlimited mileage warranty against manufacturing or material defects<sup>1</sup> and up to 30 years warranty against perforation due to corrosion from the inside out.<sup>2</sup> What's more, it's also covered by Mercedes-Benz Roadside Assistance – a unique package comprising up to 30 years pan-European breakdown assistance.<sup>2</sup>

## Motor Insurance

We know that once you have chosen your Mercedes-Benz you can't wait to drive it – that's why we created First Cover<sup>3</sup>. It gives you 7 days' free comprehensive Motor Insurance when you buy a new or used vehicle from a Mercedes-Benz Retailer. We will also send you a quote for annual cover, so you can enjoy the same peace of mind all year round.

[› Apply for First Cover](#)

<sup>1</sup>Applies to vehicles sold by Mercedes-Benz in the UK to its franchised Retailers    <sup>2</sup>Subject to full Terms and Conditions, dependent on date of registration, available upon request  
<sup>3</sup>Terms and Conditions apply. We are an independent intermediary dealing with selected insurers in respect of annual insurance

<a href="#">Design</a>	<a href="#">Technology</a>	<a href="#">Plug-in Hybrid</a>	<a href="#">Model lines</a>	<a href="#">Upholstery</a>	<a href="#">Model prices</a>	<a href="#">Personalisation</a>	<a href="#">Standard equipment</a>	<a href="#">Genuine accessories</a>	<a href="#">Technical data</a>	<a href="#">Additional information</a>
------------------------	----------------------------	--------------------------------	-----------------------------	----------------------------	------------------------------	---------------------------------	------------------------------------	-------------------------------------	--------------------------------	--





Effective from January 2022 Production. Information correct at time of publication 01.04.2022.  
Prices and specifications are subject to change without prior notice.  
MBW247/0422 MY802.5

