



Toyota
Professional



PROACE CITY
& PROACE CITY ELECTRIC

BUILT AROUND YOU AND YOUR BUSINESS



Models shown are Crew Cab, Glass Van and Panel Van.



Compact and more than capable, Proace City is designed to perfectly meet your business needs. Delivering excellent payload (up to 1 tonne) and load capacity (up to 4.3m³). Driver support is available with reversing camera, an optional safety pack and Pro-Touch infotainment. Practicality is guaranteed with Smart Cargo* loading facility in combination with the mobile office that converts the cab into a working space.

CONTENTS

4	Proace City Electric
6	Electric range
8	Electric charging
10	Electric connectivity
12	Body types
14	Practicality
16	Smart Cargo
18	Comfort
20	Interior
22	Powertrains
24	Safety
26	Grades
34	Colours, wheels & trims
36	Accessories
40	Specifications
46	Equipment
50	Toyota Professional & Peace of Mind
52	Toyota commercial vehicle range
54	Start your impossible



PANEL VANS

Available in short and long wheelbase.

* Optional on Active, standard on Icon and Design.

PROACE CITY ELECTRIC, YOUR NEW ELECTRIC TOOL

Proace City Electric combines the no-compromise capability and versatility of the Proace City, with the performance and efficiency of an all-electric powertrain.

Whatever the demand, Proace City Electric is by your side. Busy city schedules and out-of-town jobs are handled with unbeatable performance and quietness. A responsive motor and battery, delivers outstanding acceleration, range and above all, the freedom of zero emissions at the tailpipe.

With two lengths and impressive payload and towing capacity at your disposal, every job's covered. Inside, dedicated EV features help you keep an eye on battery capacity and consumption.

KEY REASONS TO BUY ELECTRIC



RANGE UP TO 161 MILES*

With Proace City Electric's impressive range, you'll always have the confidence to go where the work is.



NO COMPROMISE ON CARGO

Offering a 800 kg payload and 750 kg towing capacity, Proace City Electric is a no-compromise load-lugger.



BATTERY SIZE

With a 50 Kw battery, Proace City Electric gives you the range and capacity you need.

* Electric range figures are provided for comparability purposes, and can vary significantly depending on factors such as, accessories fitted (post registration), driving style, weather conditions, speed or vehicle load. It is best to only compare electric range figures with other cars tested to the same technical procedures. These figures may not reflect your real life driving results.





Model shown is Electric Panel Van short wheel base.

ELECTRIFY YOUR WORKSPACE

Proace City Electric makes doing business in the city easy. Clean and capable, its efficient electric powertrain works hard to reduce running costs and your company's carbon footprint, thanks to zero emissions when driving. On the move, a powerful motor delivers maximum torque in an instant, for silent and seamless acceleration from lights and roundabouts, time after time.



THE JOB OF THE BATTERY

Electricity from the battery powers a motor which turns the wheels. By switching the car off when stationary and regenerating energy under braking, energy waste is minimised. When empty, the battery can be recharged through a wall socket or dedicated unit.

A CHOICE OF THREE DRIVING MODES

Proace City Electric is equipped with a unique Drive Mode Switch. Its three modes allow you to optimise the powertrain's performance to your circumstances: Power for responsive acceleration, Normal for everyday use, and Eco for the greatest driving range.



Proace City Electric is specified with a 50 Kw battery. Offering driving ranges of up to 161 miles, offering the perfect solution for your business needs, whether it's stop-start city drop-offs or daily long-distance driving.



View all available charging stations through the touchscreen, add waypoints and receive nearby station locations when the battery is low.

**CLEAR CHARGING STATUS**

Located inside the Proace City Electric's charging lid, the battery status indicator light provides an easy way of checking charging status.

- STANDBY
- TIMED CHARGE
- CHARGING
- ERROR

IT'S EASY TO RECHARGE

Proace City Electric keeps you moving when it matters. With a full charge in as little as 30 minutes, and driving range as high as 161 miles, working with electric doesn't get easier than this.

Whether you're charging via a home socket, through a wall box or fast charging on the go, Proace City Electric keeps you powering on. With unrivalled range from its 50 kWh battery, there's energy to last the busiest days without recharging.

CHARGING THE 50 kWh BATTERY

**QUICK CHARGING**

Plugged into a rapid charger, accessible to the public, the 50 kWh battery is fully charged in 0.5 hours*.

**WALL BOX**

Plugged into a fast, reliable, dedicated home/office wall box, the 50 kWh battery is fully charged in 4.5 hours*.

**DOMESTIC HOME SOCKET**

Plugged into a domestic socket, just like a mobile phone, the 50 kWh battery is fully charged in 30.5 hours*.

* Charging times subject to local circumstances.

CONNECT, CONTROL AND STAY INFORMED

Proace City Electric offers a range of unique EV features and advanced connectivity, to keep you informed, in control and on the go each day.

Inside Proace City Electric, important driving information, from electric consumption to battery capacity, is displayed on the central combimeter and TFT screen. A charging station locator and Autonomy range checker are among the unique features available through the 8" touchscreen and navigation system to help you plan your workday.



BATTERY CHARGING AND THERMAL PRE-HEATING PROGRAMMES

Ensure your van's ready for you, by managing your preferred charging times and warming the cabin before the day begins.

When using the remote control services please ensure that:

- This service is only used on the owner's/registered keeper's drive. You must not leave a parked vehicle unattended with the engine running whilst stationary on a public road.
- The vehicle is fully immobilised, and you check the safety of the vehicle's surroundings.
- Make sure that there are no people or animals inside the vehicle.
- Do not operate the system if the hood is open or when the vehicle is parked indoors without ventilation.
- Please be respectful of the environment and minimise any excessive noise or air pollution.



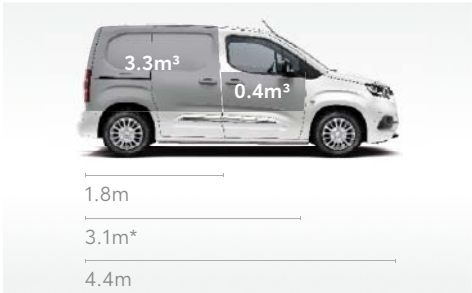
BATTERY USAGE DISPLAY
Refine your driving style, with a visual guide to how much battery energy is being used and recovered on journeys.



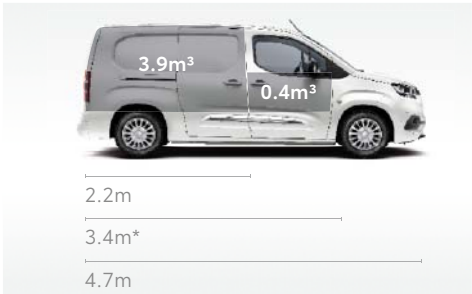
Image shown not UK specification.

Ready to adapt to all business needs with a variety of rear door options available.

Model shown is Icon short wheelbase.



PANEL VAN
Short wheelbase offers up to 3.1m load length and up to 3.8m³ volume.



PANEL VAN
Long wheelbase increases that to up to 3.4m load length and up to 4.4m³ volume.

THE COMPACT VAN THAT THINKS BIG

Functional, versatile and accessible, the new Proace City is the perfect urban van. With outstanding loading length and generous loading volume, both long and short wheelbases can accommodate two Euro pallets*.

With a payload capacity of up to 1 tonne and a towing capacity of up to 1.5 tonne whether you are moving weight or needing space, you will be able to get the job done.

1t	UP TO 4.3m³
UP TO 1.5t	2x

* With Smart Cargo; optional on Active, standard on Icon.

SIMPLY PRACTICAL

Designed to make your business easy, Proace City loves the urban environment thanks to its compact size and clever design. Your cargo will always be accessible via the swinging rear doors and twin side loading doors. Load capacity and length can be easily increased with the Smart Cargo system*: overall load length up to an additional 1.3m and cargo capacity by 0.4m³.



LOAD-SECURING HOOKS

Secure the cargo and reduce the risk of damage when in transit.

* Optional on Active as part of the Smart Cargo pack.

Designed for convenience with easy-access sliding side doors, perfect for tight spaces.



Model shown is Icon short wheelbase.

Smart Cargo hatch in bulkhead
lets you easily increase
volume by 0.4m³ and load
length by 1.3m.



Model shown is Icon short wheelbase.



3 FRONT SEATS*

The flat floor and bench seat provide seating for up to three.



MOBILE OFFICE*

The integrated table on the folding central seat can be angled towards either passenger or driver.

EXTRA SPACE WHEN YOU NEED IT

Proace City offers the flexibility that businesses need, with a range of interiors to cater for every trade. The Smart Cargo system creates additional load length and carrying capacity with an ingenious hatch in the bulkhead for transporting longer loads.

The clever folding middle front seat creates a handy work surface, ideal for laptops and tablets, whilst under-seat storage accommodates all your essentials, out of sight.

There's a choice of two[§] or three front seats.

* Optional as part of the Smart Cargo pack.

§ Only available on Active without Smart Cargo pack.

Image shown may not reflect UK specification.



Model shown is Icon long wheelbase.

COMFORT ZONE AT WORK

Combine business with pleasure: Proace City is designed to keep you comfortable however long you spend behind the wheel.

Expansive cabin space, a well organised dashboard and supportive seats ensure you travel in comfort throughout the day.



5.9-LITRE FRONT DOOR STORAGE

Deep and wide, in the large door pockets you keep all essentials within close reach.



DASHBOARD OPEN AND CLOSED STORAGE*

The convenience of open storage and the security of closed storage ensures you can find everything you need in a second.



OVERHEAD STORAGE

Clever solutions maximise the space with overhead storage.

* Active has closed upper passenger and open driver storage compartments. Icon has closed upper passenger and driver storage compartments.

TECHNOLOGY WORKING FOR YOU EVERY MINUTE

With voice activation and touch screen technology Proace City offers the latest in multimedia and connectivity*. More than just audio, its 8" screen delivers an intuitive and engaging experience that allows you to access smartphone features including Smartphone Integration with MirrorLink®, Apple CarPlay with Siri assist, Android Auto™ with Google assistant and Bluetooth®.



PRO TOUCH

Complete with Toyota Connected Services, featuring real-time traffic, TomTom places, local weather, car parks, petrol stations and points of interest.

TOYOTA CONNECT (APPLE CARPLAY AND ANDROID AUTO™)

Plug in, and Toyota Connect will mirror your smartphone. Music and phoning are now even simpler.

E-CALL

Connect with emergency services if the vehicle is involved in a serious accident.

* Standard on Icon only.

Apple CarPlay is a trademark of Apple Inc.



Model shown is Icon long wheelbase.



Model shown is Comfort short wheelbase.

FIND YOUR BEST FIT

ELECTRIC

50 kWh Automatic

Battery energy **50 kWh**

Pure Electric Range* **161 miles**

Battery charging time **0.5–30.5 hours**

0–62 mph **11.2 seconds**

DIESEL

1.5 (100 hp) Manual

Power **100 DIN hp**

Fuel consumption* **51.3 mpg**

CO₂ emissions* **144–145 g/km**

0–62 mph **11.5 seconds**

Available on **All grades**

DIESEL

1.5 (130 hp) Manual

Power **130 DIN hp**

Fuel consumption* **50.4–51.3 mpg**

CO₂ emissions* **144–147 g/km**

0–62 mph **9.8 seconds**

Available on **Design only**

At Toyota we know that every business is unique and that choice is important, which is why we offer an electric powertrain option with 50 kWh alongside two diesel engines producing between 100 and 130 DIN hp. With outstanding fuel economy Proace City has the powertrain to perfectly match your business needs in a cost-effective way.

* Combined cycle.

SAFETY

Optional safety features* include an advanced Pre-Collision System, Road Sign Assist, Lane Departure Alert with Steering Control, Cruise Control and Driver Attention Alert. You can be sure that Proace City has you covered.

In addition to the above, the optional Toyota safety pack includes a Thatcham approved category 1 alarm.

Toyota Safety Sense + Alarm

Pre-Collision System

Pre-Collision System uses a camera and laser to detect other vehicles in the road ahead. When the possibility of collision is detected the driver is alerted with audio and visual warnings and brake assistance is activated.

Road Sign Assist

Road Sign Assist monitors the road signs ahead, displaying information such as the current speed limit or overtaking restrictions in clear view on the TFT cockpit display. The system provides a visual and acoustic warning if you are not following the road sign indication.

Driver Attention Alert

This function monitors the vehicle's position within the lane and the driver's steering in order to detect vehicle sway, which tends to occur when the driver's ability to concentrate deteriorates due to drowsiness, inattention or distraction.

Lane Departure Alert with Steering Control

Using a camera to detect the lane markings in the road ahead, Lane Departure Alert will give the driver audible and visual warnings if the vehicle starts to deviate from its lane without the turn indicator being applied and corrects unintentional lane departure.

Alarm with tilt sensor (Thatcham approved category 1)

This Thatcham approved alarm is optional on the Icon grade, providing an additional level of security for your van.

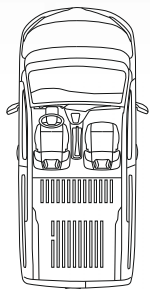
* Only optional on Icon and standard on Design. Diesel vehicles only.



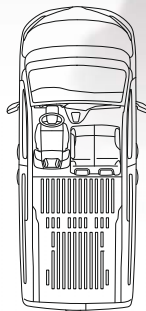
ICON GRADE ELECTRIC



Proace City Electric – Long wheelbase Panel Van



Short
wheelbase



Long
wheelbase



PANEL VAN

Main features

- 16" Steel wheels with wheel caps (5-triple-spoke)
- 7 kW On Board Charger
- 8" multimedia screen with Smartphone Integration incl Apple CarPlay & Android Auto™
- Colour 3.5" multi-information screen
- Front & rear parking sensors
- Reversing camera
- Black roof rails
- 2 sliding side doors & 180° opening on rear wing doors

- Cruise control
- eCall emergency call system
- Electronic parking brake
- Manually height-adjustable driver seat with Lumbar support
- Manually reclining & sliding front passenger 2-seat bench
- Smart Cargo
- Auto wipers & Auto headlights
- Heated power-retractable door mirrors

Optional features

- 11 kW On Board Charger (OBC)

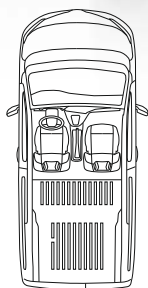
ACTIVE GRADE



Long wheelbase Panel Van



Short wheelbase Panel Van



Short
wheelbase



PANEL VAN

Main features

- Full size temporary spare wheel
- Auto headlights
- Electrically heated door mirrors
- Manually retractable door mirrors
- Panel rear wing doors (180° opening)
- Two sliding side doors
- Tyre Pressure Warning System (TPWS)
- Dark Grey Fabric
- Bluetooth® connectivity
- Manual air conditioning
- Electric front windows – one touch auto up & down function

- Rubber floor in cargo area
- Panel bulkhead

Optional features

- Smart Cargo
- Smart Cargo + Tow Bar
- Premium Ply-Lining – Short (Plywood sides & door panel ONLY*)
- Seat Covers
- Rubber Floor mats



16" steel wheels

* All vehicles come with Rubber floor protection in Cargo area as standard.

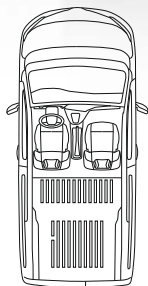
ICON GRADE



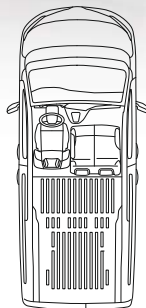
Long wheelbase Panel Van



Short wheelbase Panel Van



Short wheelbase



Long wheelbase



GRADES

PANEL VAN

Main features (additional to Active)

- Auto wipers
- Power-retractable door mirrors
- Front parking sensors
- Rear parking sensors
- Reversing camera
- Cruise control
- Smartphone Integration incl Apple CarPlay & Android Auto™
- Electronic parking brake
- Manually height-adjustable driver seat
- Manually reclining front passenger seat

- Manually sliding front passenger seat
- Smart Cargo

Optional features

- Tow Bar
- Toyota Safety Sense + Alarm
- Toyota Safety Sense + Alarm + Tow Bar
- Premium Ply-Lining – Short or Long (Plywood sides & door panel ONLY*)
- Seat Covers
- Rubber Floor mats



16" steel wheels with wheel caps (5-triple-spoke)

* All vehicles come with Rubber floor protection in Cargo area as standard.

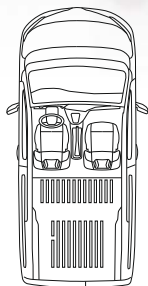
DESIGN GRADE



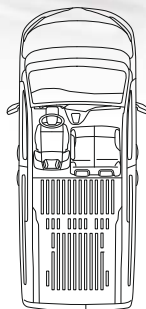
Long wheelbase Panel Van



Short wheelbase Panel Van



Short wheelbase



Long wheelbase



PANEL VAN

Main features (additional to Icon)

- 16" Alloy Wheels (5-double-spoke)
- Toyota Safety Sense (Pre-Collision System, Road Sign Assist, Driver Attention Alert & Lane Departure Alert with Steering Control)
- Alarm with tilt sensor (Thatcham approved category 1)
- Body-coloured bumpers, side door protection moulding & door handles
- Toyota Touch® 2 with Go Navigation
- Wi-Fi



16" steel wheels with wheel caps
(5-triple-spoke)

WHEELS, TRIM & BODY COLOURS



1. Dark grey fabric
Standard on all grades

2. 16" steel wheels
Standard on Active

3. 16" steel wheels with wheel caps (5-triple-spoke)
Standard on Icon

4. 16" alloy wheels (5-double-spoke)
Standard on Design

5. EWP Vivid White
6. EVL Falcon Grey*
7. KCA Silver Shadow*
8. EXY Storm Black

* Metallic paint.





Images shown not UK specification.

ACCESSORIES

Toyota accessories give you choices for customising the interior of your Proace City. There are options for protection and security to suit a wide range of business needs.



ROOF RACK BARS

The easy-to-fit lockable bars form a base for carrying items such as bicycles or luggage and ski boxes.



ROOF PLATFORM, ALUMINIUM AND STEEL

The high quality construction of the aluminium and steel roof platform provides strength and a long-lasting durability for carrying many different types of load.



FLANGED TOWING HITCH

Designed for regular towing. It features a flanged assembly to dissipate towing stresses. Both a pintle hook with ball and a high strength ball coupling are offered.



SECURITY WINDOW PANEL

The steel security mesh provides an additional layer of anti-theft protection for your cargo. It is custom-shaped to fit inside the windows.



RUBBER MATS

The rubber mats are designed to minimise water, mud and stones spraying onto your car's body.



CENTRE CONSOLE

The centre console provides additional storage for keeping possessions close to hand.



SEAT COVERS

The seat covers are specifically designed to maintain the seats of your new vehicle in a good condition. They are comfortable and resistant, they effectively protect the original fabric and ensure the proper functioning of the side airbags.

For the full range of accessories, please visit the Toyota retailer website.

ACCESSORIES

Toyota accessories give you choices for customising the interior of your Proace City. There are options for protection and security to suit a wide range of business needs.



INTERIOR PANELS AND FLOOR

1. Varnished wood



SECURITY DOOR LOCKS

The exterior door lock is designed to fortify the security of commercial vehicles, in particular, those carrying goods and equipment.



The ArmaDLock offers a robust aluminium lock structure and uses a hasp locking system.

The Mul-T-Lock blends in with the vehicle's exterior and uses a patented 3-way lock.

For the full range of accessories, please visit the Toyota retailer website.

SPECIFICATIONS


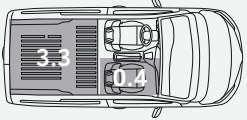
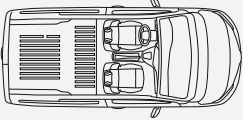

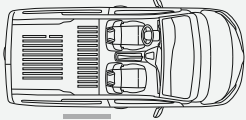

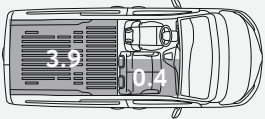
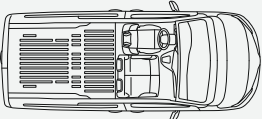
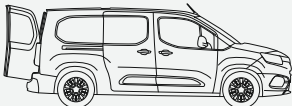
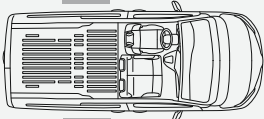
MODEL AVAILABILITY

2/3 SEATS LOAD
CAPACITY (m³)
(Smart Cargo + 0.4m³)

2/3 FRONT SEATS

REAR SWING OUT DOOR

SIDE DOOR 2-SIDES

<p>PANEL VAN</p>	 <p>SHORT WHEELBASE</p>				
<p>PANEL VAN</p>	 <p>LONG WHEELBASE</p>				

ENVIRONMENTAL PERFORMANCE	Electric	Diesel	Diesel
	Electric Motor 50 kWh Automatic	1.5 Diesel (100 hp) Manual	1.5 Diesel (130 hp) Manual
CO ₂ combined WLTP (g/km)	0	144–145	144–147
Fuel economy – combined max WLTP (mpg)	–	51.3	50.4–51.3
Fuel tank capacity (l)	–	53	
Euro class	AX	EURO 6 AQ	EURO 6 AN
Carbon monoxide, CO (mg/km)	–	54.7	107.5
Hydrocarbons, THC & Nitrogen Oxides, NOx (mg/km)	–	52.9	52.3
Nitrogen Oxides, NOx (mg/km)	–	48.8	28.6
Sound level drive by (dB(A))	68	74	74

Quoted mpg and CO₂: Figures are provided for comparability purposes; only compare fuel consumption and CO₂ figures with other cars tested to the same technical procedures. These figures may not reflect real life driving results. For more information on WLTP and specific vehicle types see www.toyota.co.uk.

ENGINE	Diesel	Diesel
	1.5 Diesel (100 hp) Manual	1.5 Diesel (130 hp) Manual
Engine code	5WZ-TV	5WZ-HV
Number of cylinders	4, in line	4, in line
Fuel injection system	Common rail, diesel direct injection	Common rail, diesel direct injection
Displacement (cc)	1499	1499
Bore x stroke (mm x mm)	75.0 x 84.8	75.0 x 84.8
Maximum output (kW@rpm)	75/3500	96/3750
Maximum output (DIN hp)	102	130
Maximum torque (Nm@rpm)	250/1750	300/1750

SPECIFICATIONS

TRANSMISSION	Electric	Diesel	Diesel
	Electric Motor 50 kWh Automatic	1.5 Diesel (100 hp) Manual	1.5 Diesel (130 hp) Manual
Transmission type	Automatic	Manual	Manual
Gear 1	0.366	0.289	0.268
Gear 2	–	0.488	0.512
Gear 3	–	0.775	0.837
Gear 4	–	1.108	1.189
Gear 5	–	1.468	1.484
Gear 6	–	1.862	1.806

PERFORMANCE

Maximum speed (mph)	83	102	115
Acceleration 0–62 (mph) (sec).	11.2	11.5	9.8

SUSPENSION

Front	Pseudo MacPherson	Pseudo MacPherson	Pseudo MacPherson
Rear	Deformable crossbeam	Deformable crossbeam	Deformable crossbeam

BRAKES

Front	Ventilated disc	Ventilated disc	Ventilated disc
Rear	Disc	Disc	Disc

EXTERIOR DIMENSIONS**Short Panel Van****Long Panel Van**

Exterior length (mm)	4403	4753
Exterior width (mm)	1848	1848
Exterior height (mm)	1880	1880
Front tread (mm)	1548	1553
Rear tread (mm)	1568	1549
Overhang front (mm)	892	892
Overhang rear (mm)	726	886
Wheelbase (mm)	2785	2975

INTERIOR DIMENSIONS**Short Panel Van****Long Panel Van**

Number of seats	2/3	3
Interior length (mm)	3090	3440
Interior width (mm)	1229	1229
Interior height (mm)	1200	1200

LUGGAGE VOLUME**Short Panel Van****Long Panel Van**

Deck length (mm)	1817	2167
------------------	------	------

SPECIFICATIONS

LUGGAGE VOLUME

	Short Panel Van	Long Panel Van
Deck width (mm)	1527	1527
Deck height (mm)	1200	1200
Load volume with Smart Cargo (2 seats, m ³)	3.8	4.4
Loading length with Smart Cargo (2 seats, mm)	3090	3440
Load volume (m ³)	3.3	3.9

OFF ROAD

	Short Panel Van	Long Panel Van
Min. running ground clearance (mm)	145/160	160

WEIGHTS & TOWING CAPACITY

	Electric Short Panel Van	Electric Long Panel Van	Diesel Short Panel Van (100/130)	Diesel Long Panel Van
Gross train weight – total (kg)	3,160	3,150	3570/3590	3,600
Gross vehicle weight – total (kg)	2,410	2,400	2370/2390	2,400
Kerb weight / unladen weight (kg)	1,607–1,787	1,649–1,837	1383/1389	1,426–1,618
Payload (kg)	800	750	986/1001	974
Maximum trailer weight – braked (kg)	750	750	1200	1,200
Maximum trailer weight – unbraked (kg)	750	750	720*/730	750
Gross vehicle weight – front (kg)	1,200	1,200	1,200	1,200
Gross vehicle weight – rear (kg)	1,400	1,400	1,400	1,400

WHEELS

	Active	Icon	Icon – Electric	Design
16" steel wheels	●	–	–	–
16" steel wheels with wheel caps (5-triple-spoke)	–	●	●	–
16" alloy wheels (5-double-spoke)	–	–	–	●
Full size temporary spare wheel	●	●	●	●

* Metallic paint.



1548/1553 mm

1848 mm



892 mm

2785/2975 mm

726/886 mm

4403/4753 mm



1880 mm



1568/1549 mm

1848 mm

● = Standard ○ = Optional – = Not available

EQUIPMENT

EXTERIOR STYLING	Active	Icon	Icon – Electric	Design
Black door handles	●	●	●	–
Body-coloured door handles	–	–	–	●
Black door mirrors	●	●	●	●
Black front & rear bumper	●	●	●	–
Body-coloured front & rear bumpers	–	–	–	●
Black upper front grille	●	●	●	●
Black protection moulding on side doors	●	●	●	–
Body-coloured protection moulding on side doors	–	–	–	●

EXTERIOR COMFORT	Active	Icon	Icon – Electric	Design
Auto headlights	●	●	●	●
Auto wipers	–	●	●	●
Power-adjustable & heated door mirrors	●	●	●	●
Manually retractable door mirrors	●	–	–	–
Power-retractable door mirrors	–	●	●	●
Panel rear wing doors (180° opening)	●	●	●	●
Two sliding side doors	●	●	●	●

INTERIOR STYLING	Active	Icon	Icon – Electric	Design
Electronic parking brake	○*	●	●	●
Open tray on passenger dashboard	●	●	●	●

INTERIOR COMFORT	Active	Icon	Icon – Electric	Design
Manual air conditioning	●	●	●	●
2-seater front passenger bench	○*	●	●	●
Individual front passenger seat	●	–	–	–
Boot light	●	●	●	●
Driver & front passenger personal lights	●	●	●	●

INTERIOR COMFORT	Active	Icon	Icon – Electric	Design
Electric front windows – one touch auto up & down function	●	●	●	●
Manually height-adjustable driver seat	●	●	●	●
Manually reclining front passenger seat	●	●	●	●
Manually sliding front passenger seat	●	●	●	●
Adjustable lumbar support on driver seat	●	●	●	●
Mirror on driver sun visor	●	●	●	●
Pollen air filter	●	●	●	●
Reversing Camera display in audio screen	–	●	●	●
3.5" Multi-information display	●	●	●	●

STORAGE	Active	Icon	Icon – Electric	Design
0.5 litre bottle holder	●	●	–	●
Front bottle holders	●	●	–	●
Smart Cargo	○*	●	●	●
Smart Cargo – mobile office	○*	●	●	●
In-floor storage box	●	●	●	●
Rubber floor in cargo area	●	●	●	●
Cargo deck load hooks x 6	●	●	●	●

MULTIMEDIA	Active	Icon	Icon – Electric	Design
2 speakers	●	●	●	●
8" Multimedia screen with Smartphone Integration incl Apple CarPlay & Android Auto™	–	●	●	●
Bluetooth® connectivity	●	●	●	●
Digital Audio Broadcasting (DAB)	●	●	●	●
Toyota Touch® 2 with Go Navigation	–	–	–	●
USB connector	●	●	●	●

● = Standard ○ = Optional – = Not available * Included in Smart Cargo pack.

EQUIPMENT

SAFETY	Active	Icon	Icon – Electric	Design
Adjustable Speed Limiter (ASL)	–	●	●	●
Anti-lock Braking System (ABS) with Electronic Brake force Distribution (EBD)	●	●	●	●
Brake Assist (BA)	●	●	●	●
Cruise control	–	●	●	●
Daytime running lights	●	●	–	●
Downhill Assist Control (DAC)	●	●	●	●
eCall emergency call system	●	●	●	●
Front fog lights	–	●	●	●
Front & Rear parking sensors	–	●	●	●
Hill-start Assist Control (HAC)	●	●	●	●
Panel bulkhead	●	●	●	●
Reversing camera	–	●	●	●
Stop/Start engine	●	●	–	●
Supplemental Restraint System (SRS) airbags – 6 airbags	●	●	●	●
Tyre Pressure Warning System (TPWS)	●	●	●	●
Vehicle Stability Control (VSC)	●	●	●	●
Pre-Collision System	–	○*	–	●
Road Sign Assist (RSA)	–	○*	–	●
Lane Departure Alert (LDA) with Steering Control	–	○*	–	●
Driver Attention Alert	–	○*	–	●
Anti-tamper & Intrusion alarm	–	○*	–	●
Glass-breaking sensors	–	○*	–	●
Immobiliser	–	○*	–	●
Motion sensors	–	○*	–	●

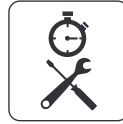
PACKS	Active	Icon	Icon – Electric	Design
Smart Cargo: Smart Cargo, Electronic Parking brake, manually height adjustable drivers seat with lumbar support, manually reclining & sliding 2-seater front bench	○	●	–	●
Smart Cargo + Tow Bar: Smart Cargo, Electronic Parking brake, manually height adjustable drivers seat with lumbar support, manually reclining, sliding 2-seater front bench & tow bar	○	–	–	–
Tow Bar	–	○	–	○
Toyota Safety Sense + Alarm: Pre-Collision System, Road Sign Assist (RSA), Lane Departure Alert (LDA) with steering control, Driver Attention Alert, Immobiliser and Alarm (Intrusion, Anti-tamper, Glass-breaking & Motion sensor)	–	○	–	●
Toyota Safety Sense + Alarm + Tow Bar: Pre-Collision System, Road Sign Assist (RSA), Lane Departure Alert (LDA) with steering control, Driver Attention Alert, Immobiliser, Alarm (Intrusion, Anti-tamper, Glass-breaking & Motion sensor) & tow bar	–	○	–	–
11kW On Board Charger (OBC)	–	–	○	–
Premium Ply-Lining – Short (Plywood sides & door panel ONLY)	○	○	○	○
Premium Ply-Lining – Long (Plywood sides & door panel ONLY)	–	○	○	○
Rubber Floor Mats	○	○	○	○

* Included in Toyota Safety Sense and Alarm pack.

● = Standard ○ = Optional – = Not available

TOYOTA PROFESSIONAL

Toyota know that your business is more than just a business, which is why we have created a range of commercial vehicles you can trust. Choose from our new compact Proace City, Proace, Land Cruiser Commercial or the legendary Hilux and put your business in safe hands. Our dedicated Toyota Professional Centres are on hand to keep you moving. With highly trained technicians and a comprehensive range of services built around you, Toyota Professional offers you the back-up you need for total peace of mind.



MOBILE OFFICE

Should you need to bring your van in for a service, we have all the facilities on hand to make your visit a productive one, with free wi-fi, coffee, and a free wash and vac to top it all off.



FIVE YEARS' ROADSIDE ASSISTANCE

It's reassuring to know that you are never alone: we provide 5 years' free roadside assistance as standard on all of our new commercial vehicles.



SERVICE AT YOUR CONVENIENCE

To help you plan your time efficiently, we will offer you a service slot within 7 days of requesting one.



YOUR COMPLETE PEACE OF MIND WITH TOYOTA

TOYOTA RELAX

Up to 10 Years (100,000 mile) Toyota warranty

Every new Toyota is eligible to be covered by up to 10 years' manufacturer warranty through Toyota Relax. This is provided through an initial 3 years manufacturer warranty that can be extended with regular servicing at a Toyota dealer. 24 months warranty is included with every Proace Service, up to 100,000 miles or 10 years, whichever comes first, giving you a chance to relax in the knowledge that you and your vehicle are in safe hands. Terms and conditions apply. For full details, please ask your official Toyota Centre or visit toyota.co.uk/relax

LOW MAINTENANCE COSTS

All Toyota vehicles are designed and engineered to minimise your maintenance costs.

GENUINE PARTS

Providing the reassurance of Toyota quality, only genuine and approved components are used on your vehicle.

ADDED SECURITY

Toyota's comprehensive security system withstands the insurance industry's rigorous 5-minute attack test.

GENUINE ACCESSORIES

Toyota accessories are designed and manufactured with the same care, quality and attention to detail as Toyota vehicles. All accessories are covered by a 3-year warranty when purchased together with the vehicle*.

For more information on peace of mind visit: www.toyota.co.uk/business-customers/toyota-professional

* Check with your retailer for specific warranty details.

PEACE OF MIND COMES AS STANDARD

We know it's more than just a business to you. It's your life, it's who you are. We know you need to have 100% trust in your tools so you can do your job brilliantly for your customers. That's why Toyota Professional is here to support you, to always have your back. To make sure you don't ever have to let your customers down.

With the new Proace City joining the Proace, Land Cruiser and legendary Hilux, Toyota now have the complete range of commercial vehicles to power your business and suit the needs of your trade.



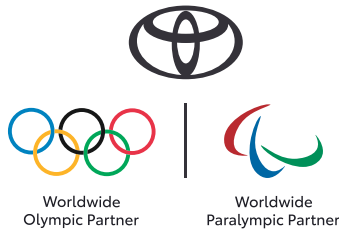


INSPIRING THE WORLD TO MOVE

Over 85 years of innovation have brought us our greatest mission yet: giving the freedom of movement to humankind. That's why Toyota is the Worldwide Official Mobility Partner of the International Olympic Committee and the International Paralympic Committee and proud partner of Team GB and Paralympics GB.

We are committed to making movement better for everyone, whether that be across a country, a city or across a room, because when you are free to move, anything is possible.

**START YOUR
IMPOSSIBLE**







Toyota
Professional

PROACE CITY ELECTRIC. BUSINESS AS USUAL. NOW ELECTRIC.

www.toyota.co.uk/new-cars/proace-city

While every effort is made to reproduce accurate information, we reserve the right to change specifications, equipment and availability without prior notice. This brochure cannot be regarded as infallible (some of the vehicles shown may not be to exact UK specification), and as such does not constitute an offer for sale of any particular vehicle or specification. For the latest specification and availability, we ask that you contact your local Toyota Centre. Vehicle body colours may differ slightly from the printed images in this brochure.

Quoted mpg and CO₂: Figures are provided for comparability purposes; only compare fuel consumption and CO₂ figures with other cars tested to the same technical procedures. These figures may not reflect real life driving results. Fuel consumption and CO₂ produced varies significantly depending on a number of factors, including the accessories fitted (post-registration), driving style, conditions, speed and vehicle load. The official CO₂ figures for vehicles changed as from 6 April 2020.

All models and grades are certified according to the World Harmonised Light Vehicle Test Procedure (WLTP). All mpg and CO₂ figures quoted are full WLTP figures. For more information on WLTP and specific vehicle types see www.toyota.co.uk

More information on WLTP in general can be found by visiting: www.vehicle-certification-agency.gov.uk/fcb/wltp.asp

The use of the term 'Toyota Accessories' should not be taken to imply that the products on the accessory pages are actually manufactured by the Toyota Motor Corporation or Toyota (GB) PLC. Toyota (GB) PLC is continually updating and changing specifications of accessories and reserves the right to do so at any time without prior notice.

©2021 by Toyota Motor Europe NV/SA ('TME'). No part of this publication may in any way be reproduced without the prior written approval of Toyota (GB) PLC.



Toyota UK



@ToyotaUK

GBNGV-0321B-PC December 2021