

CHRYSLER PT CRUISER

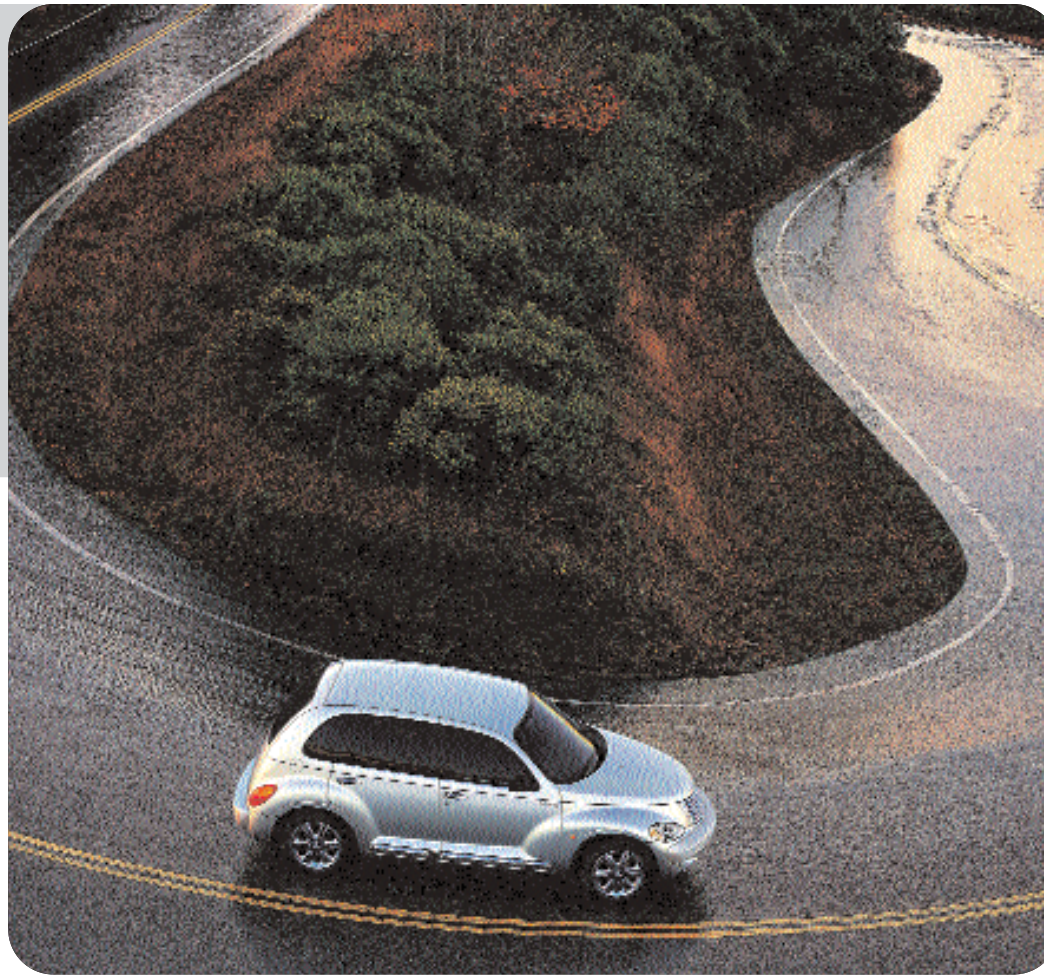
CHRYSLER



www.chrysler.com.au

Standard and
Optional Features

PT CRUISER



PT Cruiser is a car for everyone to live with and love. It certainly combines the best of two automotive worlds – fun and function. PT presents an evocative retro styling built around contemporary design and state of the art engineering, creating a vehicle of both practical and entertaining versatility.

From city to suburb and on to the country, and all the way back again, it will always be a pleasure to drive in a PT Cruiser. It will also be an eye-catching expression of your individuality and independence, wherever you're heading.

Take a look at PT Cruiser's comfort and convenience features. Such a broad range is more often associated with expensive sedans, you'll never need to feel cramped again with all that head and leg room. Try one on for size now.

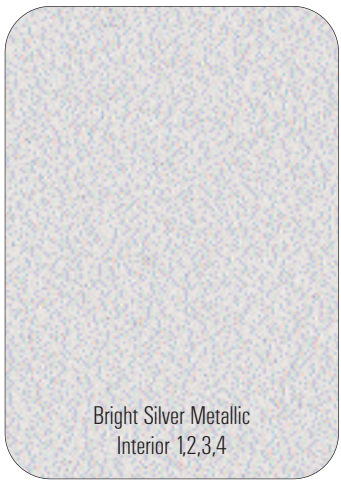


PT Cruiser is all about versatility. Short trips, long drives, picnics. It accommodates all your road travel plans.

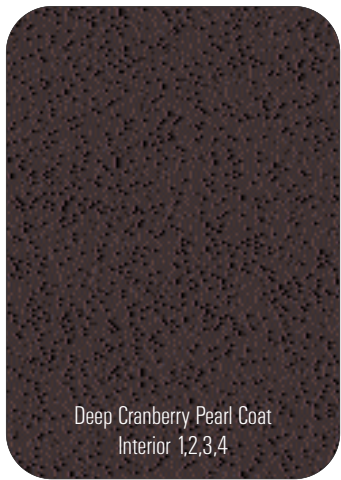
PT's interior is expressly engineered to be a satisfying environment for controlling an invigorating journey, incorporating style, comfort and versatility.



Black Clear Coat
Interior 1,2,3,4



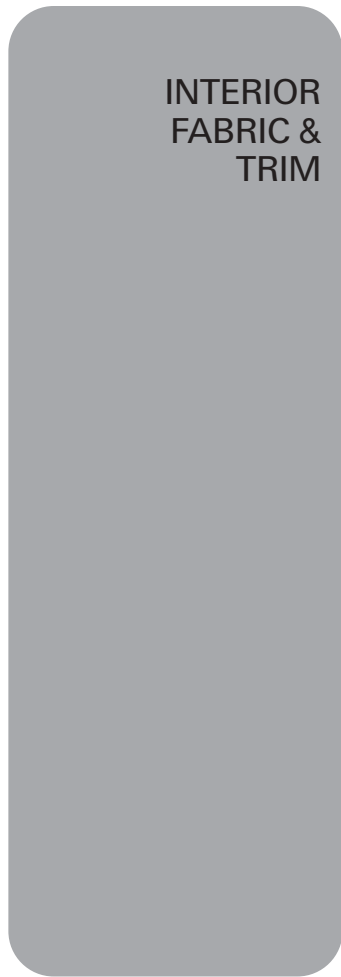
Bright Silver Metallic
Interior 1,2,3,4



Deep Cranberry Pearl Coat
Interior 1,2,3,4



EXTERIOR
COLOURS



INTERIOR
FABRIC &
TRIM



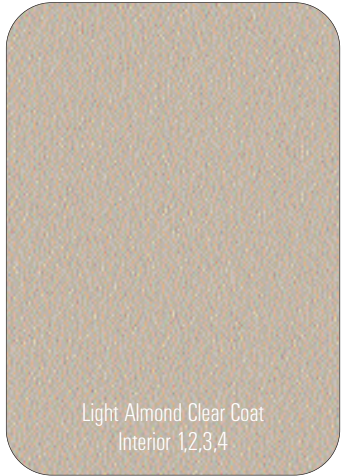
Capeli Leather Trim – Dark Slate Gray (1)



Electric Blue Pearl Coat
Interior 1,2,3,4



Inferno Red Tinted Pearl Coat
Interior 1,2,3,4



Light Almond Clear Coat
Interior 1,2,3,4



Onyx Green Pearl Coat
Interior 1,2,3,4



Capeli Leather Trim – Dark Taupe (2)



Patriot Blue Pearl Coat
Interior 1,2,3,4



Steel Blue Pearl Coat
Interior 1,2,3,4



Stone White Clear Coat
Interior 1,2,3,4



Metro II Cloth – Dark Slate Gray (3)



Metro II Cloth – Dark Taupe (4)

ALL CHRYSLER PT CRUISERS INCLUDE:

Air Bags*

- Front, Next Generation driver and front passenger air bags
- Side, Supplemental for front outboard occupants

Brakes

- Four-wheel disc with ABS

Glass

- Tinted solar control

Instrument Panel Trim

- Colour-coded inserts

Lighting

- Quad-halogen headlamps
- Rear fog lamps

Mirrors

- Exterior, dual power, heated, foldaway

Remote Keyless Entry

- Controls for illuminated entry system, door and liftgate locks, two transmitters

Seat Belts

- Three-point for all seating positions with height-adjustable driver and front passenger shoulder belts, travelling inboard buckles and pretensioners

Seats

Front

- Low-back buckets with driver and passenger inboard armrests, two-way adjustable head restraints and driver side seatback storage
- Driver side power seat height adjuster
- Fold-flat passenger seat

Rear

- 65/35 split that can be folded and tumbled or removed with quick-release carry handles and wheels

Sentry Key® Theft Deterrent System

- Engine immobiliser with two encoded keys

Shelf Panel

- Rear, multiposition with integral grocery bag hooks

Suspension

- Front, independent suspension with McPherson Struts and coil springs and stabiliser bar
- Rear, solid trailing arm twist-beam axle with coil springs, shock absorbers, stabiliser bar and Watt's linkage

Windows

- Power with driver and front passenger one-touch down

Always use seat belts. Children 12 and under should always be in a backseat correctly using an infant or child restraint system, or the seat belt positioned correctly for the child's age and size.

Sentry Key is a registered trademark of DaimlerChrysler.

FEATURES, OPTIONS AND PACKAGE GROUPS

		PT Cruiser	
Engine	Transaxle	Classic	Limited Edition
2.0L DOHC 16V 4-cylinder	5-Speed Manual	●	●
2.0L DOHC 16V 4-cylinder	4-speed Automatic with AutoStick®	○	○
Air Conditioning — Manual temperature controls		●	●
Console — Overhead, includes dual reading lamps, digital display for compass and outside temperature			●
Exterior — Front fog lamps			●
Sunroof — Includes one-touch-open feature			○
Roof Rack — Black with adjustable cross bars and 68kg capacity		A	A
Seats			
— Metro II Cloth		●	
— Capeli leather-trimmed with Preferred Suede® accents			●
Cruise Control — Electronic with steering wheel mounted controls (included with automatic transaxle)			●
Sound System — Stereo radio with cassette and CD player and 6 premium speakers		●	●
Tyres			
— 195/65R15 91H BSW Performance		●	
— 205/55R16 91H BSW Performance			●
Traction Control — Low-speed		○	●
Wheels			
— 15 inch steel with bolt-on wheel covers		●	
— 16 inch chrome-clad aluminium			●

● = Included. ○ = Optional. A = Mopar Accessories.

Preferred Suede is a registered trademark of Milliken & Company.

For information about Mopar Accessories, see your dealer.





(Top) PT Cruiser has seating for five, and retains luggage capacity equal to many large sedans.

Remember to properly secure all cargo.

(Far left) The touch of a button opens PT's available power sunroof.

(Left) Available AutoStick® enables driver to make manual gear changes by a simple flick of the wrist.

DIMENSIONS

INTERIOR DIMENSIONS*

Head Room	Front.....	1026	
	Rear.....	1006	
Leg Room	Front.....	1032	
	Rear.....	1038	
Shoulder Room	Front.....	1369	
	Rear.....	1368	
Hip Room	Front.....	1372	
	Rear.....	1188	
Seating Capacity	5	
Passenger Interior Volume (L)	2867	
	Behind rear seat with Shelf panel removed	538
	Rear seat removed	1812

EXTERIOR DIMENSIONS*

Wheelbase	2616
Overall Length	4288
Overall Width	1705
Overall Height	1601
Track	Front.....	1481
	Rear.....	1478
Coefficient of Drag	0.398

WEIGHT AND CAPACITIES

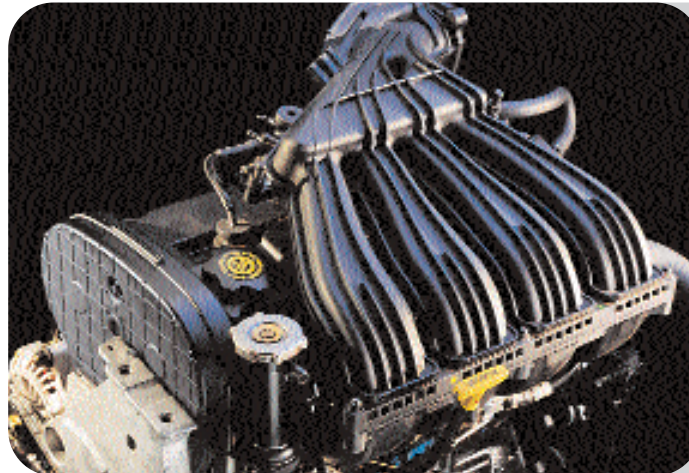
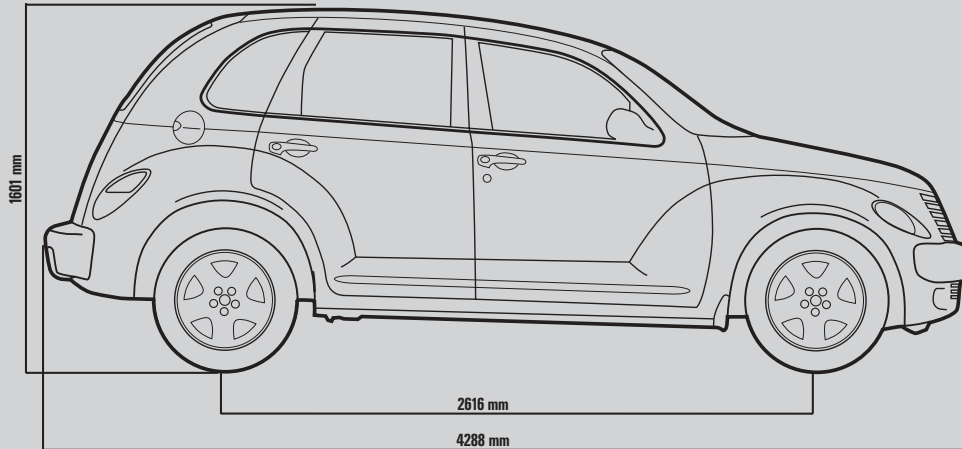
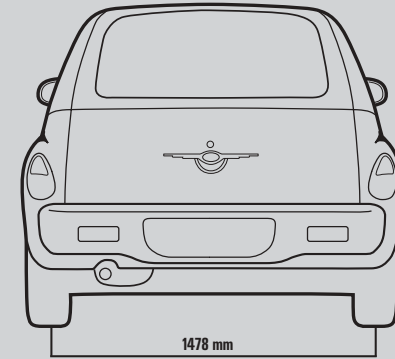
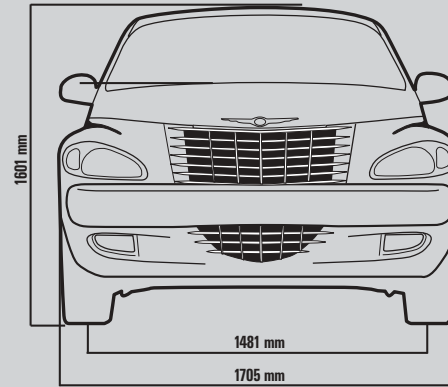
Base Kerb Weight (kg)	1412	
Fuel Tank (L)	57	
Turning Diameter (m)	Kerb-to-kerb	
	15 inch tyres and manual transaxle	111
	16 inch tyres and auto transaxle	121
Maximum Towing Capacity (kg)	454	

*All dimensions in millimetres unless otherwise noted.

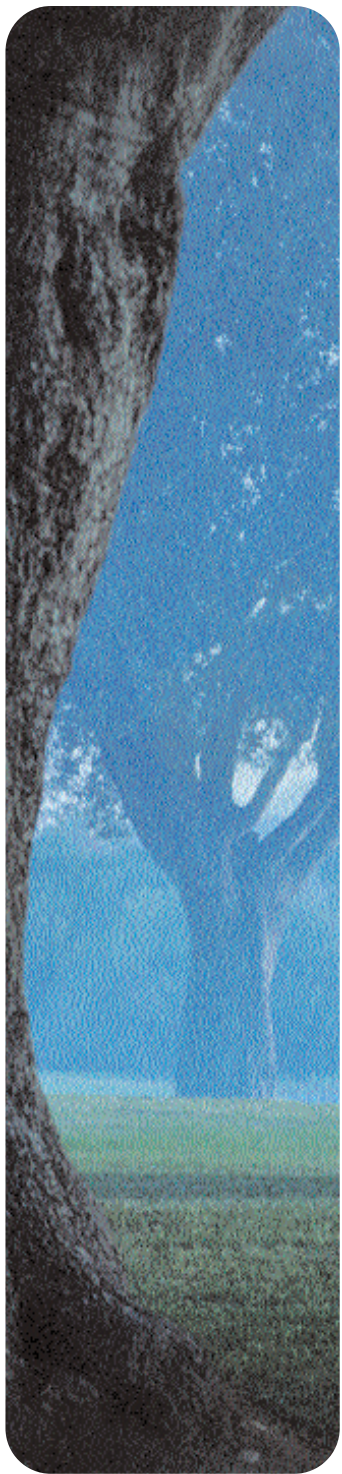
ENGINE

2.0-LITRE

Drivetrain	FWD
Engine Type	In-line 4-cylinder
Displacement (cc)	2.0 Litre
Bore and Stroke (mm)	87.5 x 83.0
Valve System	DOHC 16-valve
Fuel Delivery System	SMPI
Compression Ratio	9.4:1
Power (SAE net @ rpm)	104 kW @ 5600
Torque (SAE net @ rpm)	188 Nm @ 4400
Standard Transaxle	5 speed manual
Optional Transaxle	4 speed automatic



A responsive and durable 2.0 litre DOHC 16-valve four-cylinder in-line engine is standard.



This brochure is a publication of DaimlerChrysler Corporation. All product illustrations and specifications are subject to change. DaimlerChrysler reserves the right to make alterations in the described models—at any time without any prior notice or obligation—which are considered necessary to the purpose of product improvement or for reasons of design and/or marketing.

Printed in Australia

SBPT 2003 (15M)

12/02

CHRYSLER



www.chrysler.com.au

