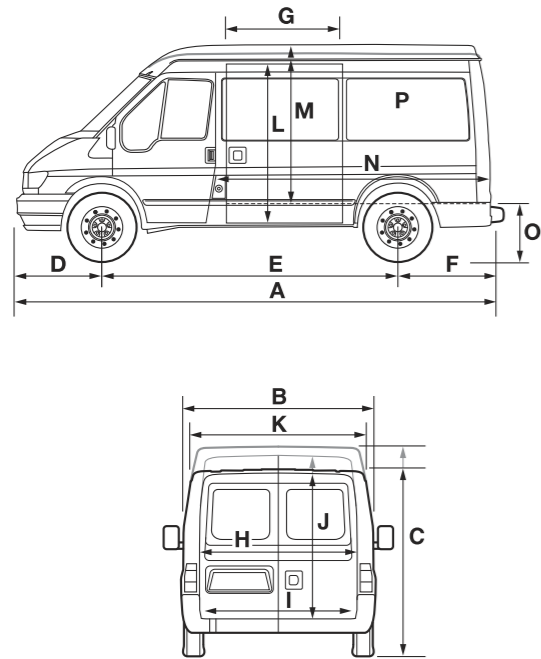


Transit specifications and options.



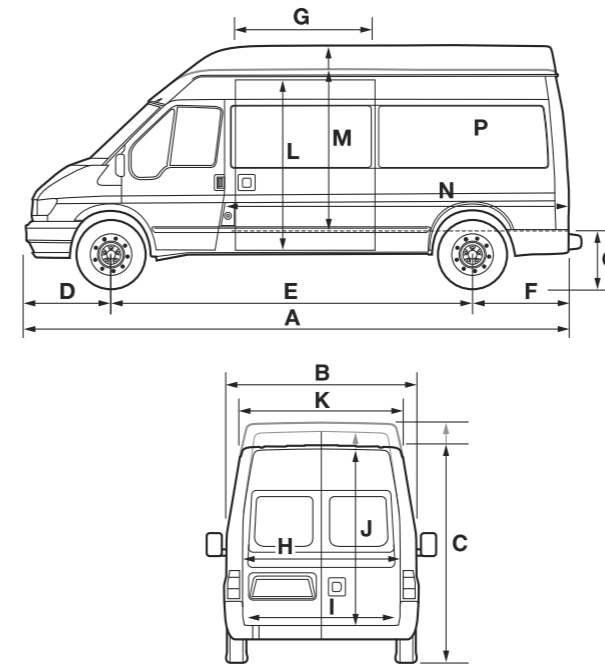
[Short wheel base van.*]



	Low-roof (mm)	Mid-roof (mm)
A Overall length (excluding rear step where fitted)	4834	4834
B Overall width (excluding mirrors)	1974	1974
C Unladen height	2083	2397
D Front overhang	904	904
E Wheelbase	2933	2933
F Rear overhang	997	997
G Side door width	1030	1030
H Rear door width	1540	1540
I Load space width between wheel arches	1390	1390
J Rear door height	1270	1566
K Maximum load space width (excluding wheel arches)	1762	1762
L Side load door height	1252	1252
M Maximum load height	1330	1645
N Maximum loadspace length	2582	2582
O Unladen loading height	747	731
P Load space SAE (gross) cu.m	6.05	7.48

Note: Turning circle 10.8m

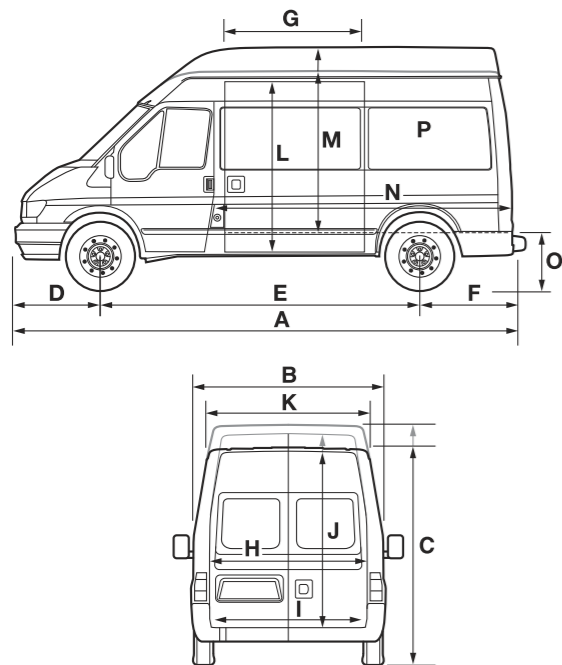
[Long wheel base van.*]



	Mid-roof (mm)	High-roof (mm)
A Overall length (excluding rear step where fitted)	5651	5651
B Overall width (excluding mirrors)	1974	1974
C Unladen height	2403	2619
D Front overhang	904	904
E Wheelbase	3750	3750
F Rear overhang	997	997
G Side door width	1275	1275
H Rear door width	1540	1540
I Load space width between wheel arches	1390	1390
J Rear door height	1566	1796
K Maximum load space width (excluding wheel arches)	1762	1762
L Side load door height	1465	1465
M Maximum load height	1645	1885
N Maximum loadspace length	3399	3399
O Unladen loading height	736	717
P Load space SAE (gross) cu.m	9.85	11.29

Note: Turning circle 13.3m

[Medium wheel base van.*]

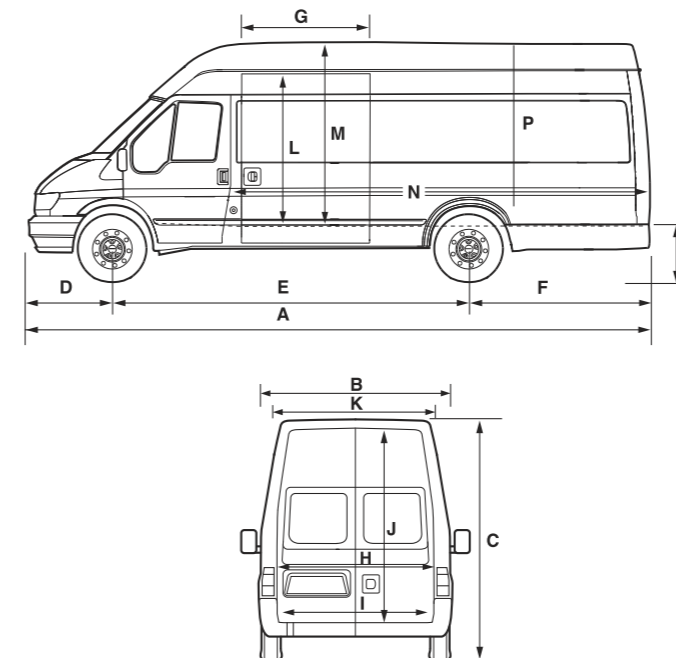


	Mid-roof (mm)	High-roof (mm)
A Overall length (excluding rear step where fitted)	5201	5201
B Overall width (excluding mirrors)	1974	1974
C Unladen height	2391	2621
D Front overhang	904	904
E Wheelbase	3300	3300
F Rear overhang	997	997
G Side door width	1250	1250
H Rear door width	1540	1540
I Load space width between wheel arches	1390	1390
J Rear door height	1566	1796
K Maximum load space width (excluding wheel arches)	1762	1762
L Side load door height	1465	1465
M Maximum load height	1645	1885
N Maximum loadspace length	2949	2949
O Unladen loading height	724	719
P Load space SAE (gross) cu.m	8.55	9.79

Note: Turning circle 11.9m

* All dimensions based on manual turbo diesel models.

[LWB Jumbo extended length van.*]

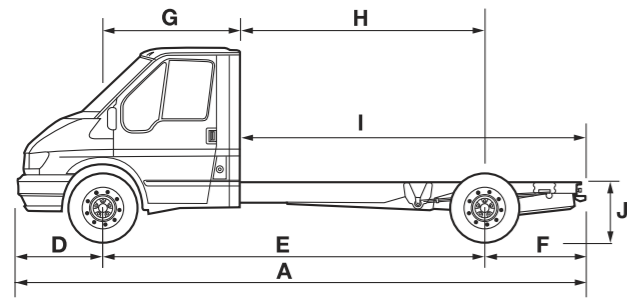


	(mm)
A Overall length (excluding rear step where fitted)	6374
B Overall width (excluding mirrors)	1974
C Unladen height	2580
D Front overhang	904
E Wheelbase	3750
F Rear overhang	1720
G Side door width	1275
H Rear door width	1540
I Load space width between wheel arches	1390
J Rear door height	1796
K Maximum load space width (excluding wheel arches)	1762
L Side load door height	1465
M Maximum load height	1885
N Maximum loadspace length	4107
O Unladen loading height	678
P Load space SAE (gross) cu.m	14.30

Note: Turning circle 13.3m

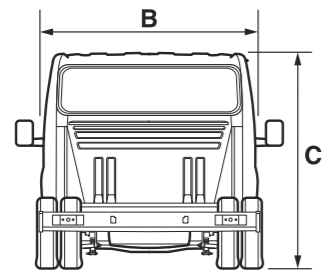
* All dimensions based on manual turbo diesel models.

[LWB Cab Chassis*]

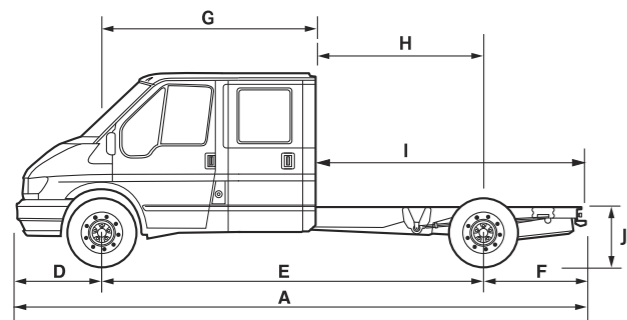


	LWB (mm)	Extended frame (mm)
A Overall length	5902	6290
B Overall width (excluding mirrors)	1974	1974
C Unladen height	2022	2016
D Front overhang	904	904
E Wheelbase	3954	3954
F Rear overhang	1044	1432
G Rear of cab to front wheel centre	1406	1406
H Rear of cab to rear wheel centre	2548	2548
I Chassis frame length	3592	3980
J Chassis frame height: Dual rear wheels/unladen	736	749

Note: Turning circle 13.9m



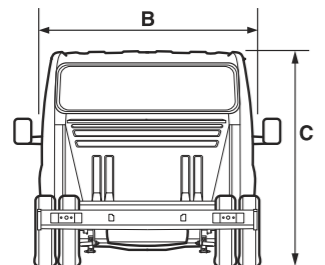
[Crew Cab Chassis*]



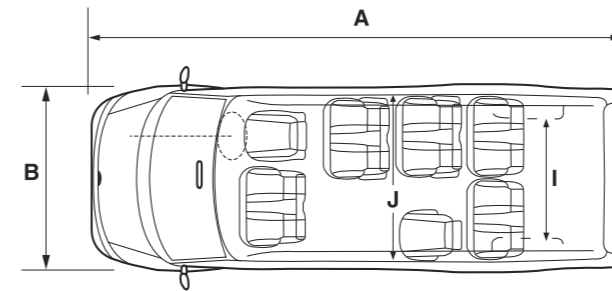
	LWB (mm)	Extended frame* (mm)
A Overall length	5902	6290
B Overall width (excluding mirrors)	1974	1974
C Unladen height	2025	2039
D Front overhang	904	904
E Wheelbase	3954	3954
F Rear overhang	1044	1432
G Rear of cab to front wheel centre	2223	2223
H Rear of cab to rear wheel centre	1731	1731
I Chassis frame length	2775	3163
J Chassis frame height: Dual rear wheels/unladen	728	763

Note: Turning circle 13.9m

* All dimensions based on manual turbo diesel models. Crew cab chassis extended frame available April 2005 onwards.



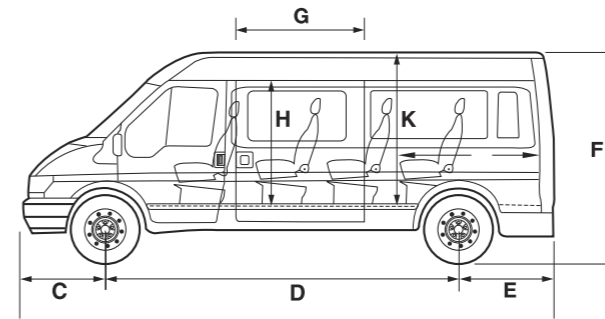
[Bus*]



	(mm)
A Overall length	5651
B Overall width (excluding mirrors)	1974
C Front overhang	904
D Wheelbase	3750
E Rear overhang	997
F Unladen roof height	2403
G Side door width	690
H Side door height	1465
I Load space width between wheel arches	1390
J Maximum load width	1762
K Maximum load height	1645

Note: Turning circle 13.3m

* All dimensions based on manual turbo diesel models.



> Dark Blue.



> Medium Steel Blue.



> Moon dust Silver.



> Diamond White.



> Pepper Red.



> Saffron Yellow.



> Colorado Red.



> True Blue.



> Opal cloth fabric seat trim.

Ford reserves the right to discontinue or change any of the exterior colours and trims referred to in this brochure at any time without notice. Every effort has been made to depict vehicle colours and trims as realistically as possible in this brochure, however some variations may occur due to printing limitations. See your authorised Ford Dealer to view actual colours and trims.

ROOF HEIGHT ENGINE & TRANSMISSION	SWB VAN		MWB VAN		LWB VAN		LWB JUMBO VAN	SINGLE CAB CHASSIS	SINGLE CAB CHASSIS	CREW CAB CHASSIS	CREW CAB CHASSIS	BUS
	LOW	MID	MID	HIGH	MID	HIGH	HIGH	LOW	LOW (Ext frame)	LOW	LOW (Ext frame) ¹	MID
2.3L DOHC Petrol, 103kW@5500rpm, 196Nm@2500rpm (EEC) with 5-speed manual transmission	S		S		S		-	-	-	-	-	S
2.4L High pressure common rail turbo diesel, 101kW@3500rpm, 375Nm@2000rpm (EEC) with 6-speed manual transmission	O ²		O		O		S	S	S	S	S	O
2.4L Intercooled turbo diesel, 92kW@3800rpm, 285Nm@2300rpm (EEC) with Smart Shift 5-speed automatic transmission	O		O		O		O	O	-	O	-	O
Fuel tank capacity (litres)	80		80		80		80	80	80	80	80	80
WEIGHTS (kg)												
Gross vehicle mass - Petrol (Man)	3000		3300		3550		-	-	-	-	-	3550
- Diesel (Man)	3300		3300		3550		3550	3550	4250	3550	4100	3550
- Diesel (ASM)	3300		3300		3550		3550	3550	4250	3550	4100	3550
Payload ³ - Petrol (Man)	1278	1252	1463	1440	1678	1650	-	-	-	-	-	1364
- Diesel (Man)	1536	1510	1421	1398	1636	1608	1468	1813	2383	1694	2086	1322
- Diesel (ASM)	1563	1537	1448	1425	1663	1635	1495	1822	-	1703	-	1349
Gross combination mass - Petrol (Man)	4250		4250		4250		-	-	-	-	-	4250
- Diesel (Man)	5300		6000		6000		6000	6000	6000	6000	6000	5750
- Diesel (ASM)	5250		5250		5250		5250	5250	-	5250	-	5250
Front axle loads - Petrol (Man)	1450		1550		1650		-	-	-	-	-	1650
- Diesel (Man)	1500		1550		1650		1550	1600	1650	1600	1650	1650
- Diesel (ASM)	1500		1550		1650		1550	1600	-	1600	-	1650
Rear axle loads - Petrol (Man)	1750		2050		2250		-	-	-	-	-	2100
- Diesel (Man)	2050		2050		2250		2300	2450	2950	2450	2950	2100
- Diesel (ASM)	2050		2050		2250		2300	2450	-	2450	-	2100
DIMENSIONS (mm)												
Wheelbase	2933		3300		3750		3750	3954	3954	3954	3954	3750
Cargo area width (excl. wheel arches)	1762		1762		1762		1762	-	-	-	-	-
Cargo area length	2582		2949		3399		4107	-	-	-	-	-
WHEELS & TYRES												
Wheels	5.5" x 16"		5.5" x 16"		5.5" x 16"		5.5" x 16"	5" x 16"	5" x 16"	5" x 16"	5" x 16"	5.5" x 16"
Type	Steel		Steel		Steel		Steel	Steel	Steel	Steel	Steel	Steel
Tyres	205/75R/16C ⁴		215/75R/16C		215/75R/16C		215/75R/16C	185/75R/16C	185/75R/16C	185/75R/16C	185/75R/16C	215/75R/16C
Rear wheel configuration	Single		Single		Single		Single	Dual	Dual	Dual	Dual	Single
Drive	Rear wheel		Rear wheel		Rear wheel		Rear wheel	Rear wheel	Rear wheel	Rear wheel	Rear wheel	Rear wheel
STEERING												
All models	Power assisted (rack and pinion)											
BRAKES (mm)												
All models	Ventilated - Front disc and rear drum brakes											
SUSPENSION												
All models	Front - coil spring with Macpherson strut and stabiliser bar Rear - Hotchkiss type leaf springs with gas shock absorbers											
TOWING CAPACITY (kg)⁵												
Braked - Petrol	2000		2050		2050		-	-	-	-	-	1050
Braked - Diesel	2000		2800		2750		2750	2750	2400	2750	2400	2750 ⁶
Unbraked	750		750		750		750	750	750	750	750	750
EXTERIOR FEATURES								VAN		CAB CHASSIS		BUS
Driver and passenger manual adjust door mirrors with blind spot eliminators	S							S		S		-
Long arm mirror	-							S		S		-
Power mirrors	O							O		S		S
Fixed in rear door glass	S							-		S		S
Fixed in back panel glass	-							S		-		-
Rear window wash and wipe	-							-		S		S
Rear window defroster	-							-		S		S

S - Standard. O - Options that can be ordered before a vehicle is manufactured.

1. Crew Cab Chassis extended frame available April 2005 onwards. 2. 2.4L 101kW/375Nm Turbo Diesel available on SWB April 2005 onwards. 3. Payload does not include the mass of the vehicle occupants, options or body additions. The mass of these items needs to be deducted from the stated payload to give the available cargo mass. 4. 215/75 R 16C tyres on SWB Diesel model. 5. Subject to State and Territory regulations. 6. Towing capacity based on 101kW manual. Towing capacity of Transit Bus with optional 92kW "Smart Shift" automatic transmission is 2050kg.

EXTERIOR FEATURES (Continued)	VAN	CAB CHASSIS	BUS
Lights: - Halogen head lamps	S	S	S
- High mounted stop lamp	S	-	S
- Cab mounted roof marker lamps	-	S	-
Rear mud flaps	S	-	S
CABIN COMFORT AND STORAGE FEATURES			
Seats: - Single 6-way adjustable driver's seat with head rest and dual fixed passenger seat	S	S	S
- Single 6-way adjustable driver and single 4-way adjustable front passenger	O	O	-
- Opal cloth trim (mid grey)	S	S	S
Moulded front door trim	S	S	S
Cab headlining with moulded fabric	S	S	S
Heavy duty cab floor covering	S	S	S
Glove box	S	S	S
Storage bins in dash panel	S	S	S
Mobile phone storage compartment	S	S	S
Door pockets	S	S	S
Dual cup holders	S	S	S
Sunvisors	S	S	S
Interior day/night rear view mirror	S	S	S
Front overhead courtesy light	S	S	S
Power front side windows	O	O	O
Heater with illuminated controls and 3-speed fan	S	S	S
Air-conditioning (front)	O	O	-
Front and rear air-conditioning	-	-	O
2-speaker, AM/FM radio-cassette with roof mounted aerial	S	S	S
Single in-dash CD player ⁷	O	O	O
Digital clock	S	S	S
Cigarette lighter	S	S	S
INSTRUMENTS AND GAUGES			
Warning lights for oil pressure, ignition, brake fail and low fuel	S	S	S
Speedo, tachometer, fuel and water temperature gauges	S	S	S
'Lights on' audible warning	S	S	S
Soft feel steering wheel with stalk mounted wiper, indicator and horn controls	S	S	S
2-speed and intermittent front wipers	S	S	S
SAFETY AND SECURITY FEATURES			
Airbags: - Driver only	O	O	O
- Driver and front passenger	O	O	O
4-Wheel Anti-lock Braking System with Electronic Brakeforce Distribution (EBD)	O ⁸	O ^{8,9}	S ^{8,9}
3-point lap/sash seatbelts on driver and passenger seats	S	S ¹⁰	S
Dropped front side windows for enhanced visibility	S	S	S
Laminated windscreen	S	S	S
Central locking with remote keyless entry	S	S	S
Lock-in-latch side door	S	-	S
Engine immobiliser	S	S	S
Locking fuel cap	S	S	S
Key locking bonnet	S	S	S
Visible VIN	S	S	S
Fire extinguisher	-	-	S
First aid kit	-	-	S
LOAD AREA FEATURES			
Doors: - LHS sliding with step well	S	-	S
- RHS sliding with step well	O	-	-
- Rear twin hinged, glazed 180 degree opening	S ¹¹	-	S
- Lift tailgate with wiper and heated window	O ¹²	-	-
Load compartment tie-downs	S	-	-
Load compartment light	S	-	S
Rear step bumper	S	-	-

7. CD player standard with 'Smart Shift' option. 8. Where optional 'Smart Shift' automatic is ordered, ABS option also includes Traction Control. 9. ABS with EBD is standard on Single Cab and Crew Cab Chassis with extended frames and Transit Bus model. 10. Except Crew Cab extended frame model where only the out board rear seats have 3-point belts. 11. 270° degree opening doors on Jumbo Van. 12. Feature not available on High-roof models.

About this specification sheet: This sheet is designed to provide you with selected specification data for the Ford products which have been described in a general way in the relevant brochure. Because of changes in conditions and circumstances Ford* reserves the right, subject to all applicable laws, at any time, at its discretion, and without notice to discontinue or change the features, designs, materials, colours and other specifications and the prices of its products, and to either permanently or temporarily withdraw any such products from the market without incurring any liability to any prospective purchaser or purchasers. Because of variations which occur in manufactured products, all capacities, measurements, dimensions and weights quoted in the relevant brochure and this specification sheet should be taken as approximate only. Always consult an authorised Ford Dealer for the latest information with respect to features, specifications, prices, optional equipment and availability before deciding to place an order. *FORD MOTOR COMPANY OF AUSTRALIA LIMITED. (A.B.N. 30 004 11 6 223) Registered Office: 1735 Sydney Road, Campbellfield, Victoria 3061, Australia. Printed February 2005. FMC3720/R

