

CHRYSLER SPECIFICATIONS

PT CRUISER





There is something brilliantly command-like about a Satin Silver Centre stack. From the signature Chrysler wing badge clock face, to the silver-trimmed twin air conduits, down to the audio and air comfort controls, the structure beautifully conceals its simple, functional purpose. Combine an optional AM/FM radio with six-disc CD changer and MP3 capability with the available Boston Acoustics® Audio System and PT Cruiser makes a statement for all to hear.



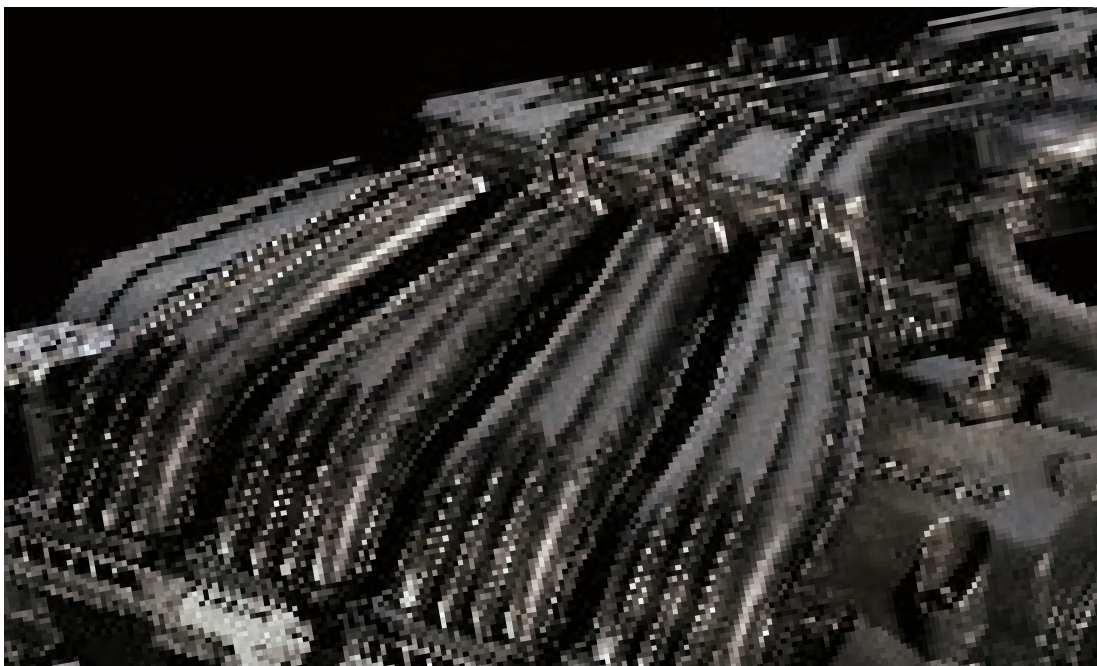
The PT Cruiser interior offers a host of superb features. Available leather-trimmed seats. A six-way power driver's seat. An instrument panel that looks its best at any angle. And an available Satin Silver gearshift that directs your choice of either AutoStick® or an easygoing manual transmission. The spacious new centre console has special cut-ins for mobile phone, drinks and CDs. Folding 65/35-split rear seats and a fold-flat front-passenger seat show the tremendous versatility of the PT Cruiser's cargo- and people-carrying capabilities. (Shown above with optional sunroof).



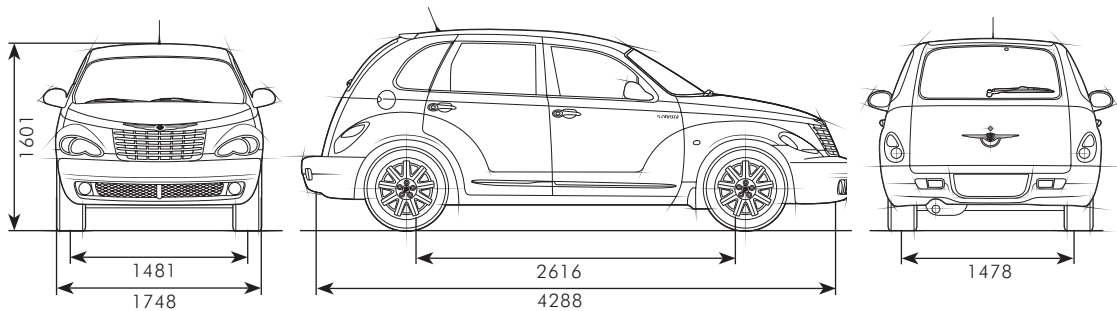
17-inch Painted
Aluminium



16-inch Chrome-Clad
Aluminium Wheel



Equipped with the hardworking, normally aspirated 2.4L engine, the 2007 PT Cruiser provides power that matches its spirited attitude. Proven under a myriad of testing conditions, this PT Cruiser powerplant was designed to deliver the perfect balance of efficiency and performance. Combined with the ingenuity of the PT Cruiser design, this engine ensures that this vehicle is nothing short of the complete package.

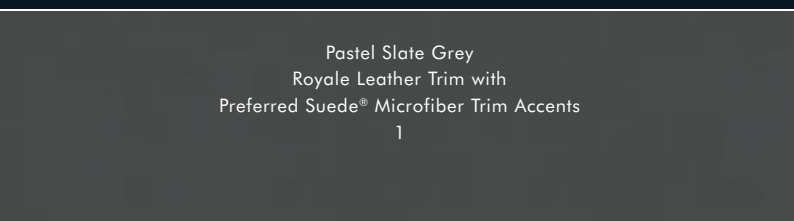




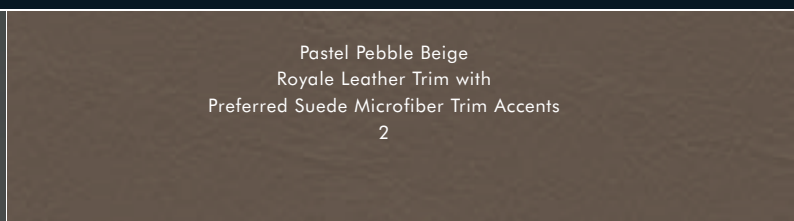
EXTERIOR COLOURS

	Black	Marine Blue Pearl	Inferno Red Crystal Pearl	Bright Silver Metallic	Cool Vanilla	Tangerine Pearl	Pastel Yellow	Opal Metallic
Limited	1,2	1	1,2	1	1,2	2	1,2	1
Touring	3,4	3	3,4	3,4	3,4	4	3,4	3

UPHOLSTERY



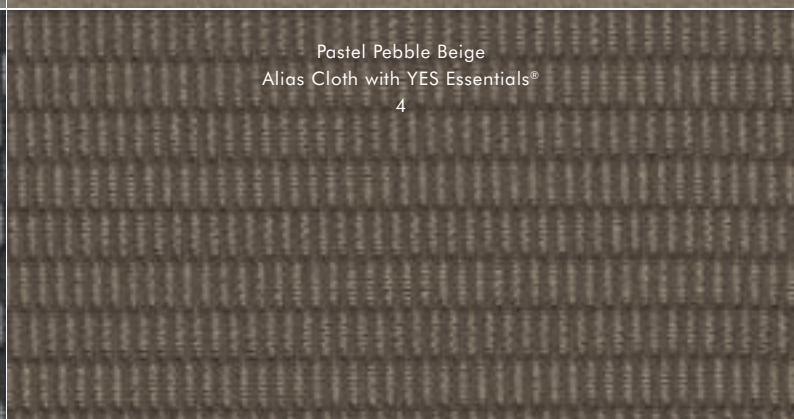
Pastel Slate Grey
 Royale Leather Trim with
 Preferred Suede® Microfiber Trim Accents
 1



Pastel Pebble Beige
 Royale Leather Trim with
 Preferred Suede Microfiber Trim Accents
 2



Pastel Slate Grey
 Alias Cloth with YES Essentials®
 (optional on Classic)
 3



Pastel Pebble Beige
 Alias Cloth with YES Essentials®
 4



Genuine Chrysler Accessories accommodate your active lifestyle from rooftop to tarmac. The Six-Pair Ski and Snowboard Carrier holds up to six pairs of skis or four snowboards and features corrosion-resistant lock covers and anodised Aluminium construction. The Removable Roof Rack also supports a Roof-Mount Bike Carrier. Accessories like a Chrome Fuel Filler Door, Illuminated Door Sill Guards, and 16-inch 5-spoke Chrome Wheels complete the personalisation of your PT Cruiser from top to bottom.



Genuine Chrysler Accessories enhance PT Cruiser's sound system. The RAR radio features an AM/FM stereo, six-disc CD player, and MP3. Add premium GPS technology to your vehicle with the Navus™ dash-mounted navigation system. Featuring turn-by-turn directional prompts, voice instructions, trip information, automatic re-routing, point-of-interest data and much more. The iPod® Interface Module is a simple plug-and-play dock for your iPod, allowing you to play your music files through your vehicle's audio system. Ingenuity abounds with UConnect®, a hands-free technology for Bluetooth® compatible phones,* as well as the ParkSense® Rear Park Assist System, which helps to detect nearby obstacles.

*You can retain your current mobile carrier and mobile phone number (and one bill) as long as your mobile phone employs Bluetooth Hands-Free Profile version 1.0 or higher. †Always check entire surroundings before backing up.

		PT Cruiser	
		Touring	Limited
ENGINE/TRANSMISSION			
2.4L DOHC 16V 4-cylinder/5-speed manual		27P	27S
2.4L DOHC 16V 4-cylinder/4-speed automatic with AutoStick®		28P	28S
MECHANICAL			
Brakes	— 4-wheel disc with anti-lock	S	S
Fuel Tank	— 57 litres	S	S
Suspension	— Front, independent with MacPherson struts and stabiliser bar; rear twist-beam axle with trailing arms and coil springs, shock absorbers and Watt's linkage	S	S
	— European suspension		S
	— Performance suspension	S	
Traction Control	— Low-speed with ABS up to 56 km/h	S	S
EXTERIOR FEATURES			
Glass	— Solar-control, all windows	S	S
Liftgate	— Rear with fixed wiper/washer, handle integrated into Chrysler wing badge	S	S
Lighting	— Quad-halogen headlamp	S	S
	— Fog lamps, front	S	S
Mirrors	— Dual power, heated, foldaway	S	S
Sunroof	— Power with one-touch-open feature and sliding sunshade	0	0
Roof Rack	— Black with adjustable cross bars and 100-kg capacity	0	0
Spoiler	— Rear, body-color liftgate-mounted	S	0
Tyres	— 205/50R17 Performance	S	
	— 205/55R16 Performance		S
Wheels	— 17" silver-painted aluminium	S	
	— 16" chrome-clad aluminium		S
Windshield Wipers	— Front, 2-speed with variable intermittent mode	S	S
	— Rear wiper/washer with intermittent mode	S	S
INTERIOR FEATURES			
Air Conditioning	— Manual temperature controls	S	S
Consoles	— Floor includes cup holders, coin holder, CD storage, sliding armrest with 2-tier multipurpose bin and auxiliary power outlet	S	S
Defroster	— Electric rear window	S	S
Door Locks	— Power, includes auto speed-sensitive with central locking	S	S
Electronic Vehicle Information Centre (EVIC)	— Includes compass, temperature, audio information, average fuel economy, distance to empty, elapsed time and personal settings	S	S
Floor Mats	— Front and rear, carpeted	0	0
Glove Box	— Locking	S	S
Lighting	— Dome with theatre-dimming and rear cargo area lamps	S	S
Power Accessory Outlets	— 12-volt located in centre floor console storage bin, front instrument panel and rear cargo area	S	S
Shelf Panel	— Rear, multiposition with integral grocery bag hooks	S	S
Shift Knob	— Colour-keyed ball-type with chrome shift lever (Pastel Pebble Beige or Pastel Slate Grey)	S	S
Cruise Control	— Electronic with steering wheel-mounted controls	S	S
Speedometer	— 240-km/h	S	S
Steering	— Power rack-and-pinion	S	S
Steering Column	— Tilt	S	S
Steering Wheel	— Leather-wrapped with bright spokes	S	
	— Leather-wrapped		S
Windows	— Power with driver and front-passenger one-touch-down and rear lockout features	S	S
SEATING AND TRIM			
Instrument Panel Trim	— Color-keyed inserts for Electric Blue, Inferno Red, Marine Blue, Tangerine, Pastel Yellow, Opal Metallic	P	P
	— Neutral colour inserts for Bright Silver, Black and Cool Vanilla exteriors	P	P
Seating	— Front low-back buckets and 2-way adjustable locking head restraints, 2-way adjustable low-profile head restraints for rear seating positions	S	S
Seats	— Fold-flat front-passenger	S	S
	— Heated driver and front-passenger		S
	— Driver's side manual lumbar adjust	S	S
	— Driver's 6-way power	S	S

		PT Cruiser	
		Touring	Limited
ENTERTAINMENT SYSTEMS			
Radios	— AM/FM stereo with CD player	S	S
Entertainment Group	— AM/FM stereo with 6-disc CD player		
	— Boston Acoustics® Audio System, 368-watt amplifier with 6 premium speakers	0	0
Sound Systems	— 6 speakers	S	S
SAFETY & SECURITY			
Air Bags ⁽¹⁾	— Multistage driver and front passenger	S	S
	— Supplemental side-impact protection for front outboard occupants	S	S
Brake-Park Interlock	— Prevents an automatic transmission from being shifted out of Park unless brake pedal is applied (included with automatic transmission)	P	P
Child-Protection Rear Door Locks		S	S
Child Seat Anchor System (LATCH)	— Lower child seat anchors and upper tether anchors help ease the installation of aftermarket child seats	S	S
Clutch-Starter Interlock	— Cannot start engine until clutch pedal is applied	S	S
Dynamic Side-Impact Intrusion Protection	— Steel side-guard door beams, unique transverse beam and structural body reinforcements	S	S
Remote Keyless/Illuminated Entry System	— Control for power door locks and liftgate release; includes 2 transmitters with rolling-code technology	S	S
Seat Belts	— Front height-adjustable 3-point driver and front-passenger with travelling buckles, 3-point lap/shoulder belts at all rear-seat positions	S	S
Security Alarm		0	0
Sentry Key®	— Engine Immobiliser	S	S

S = Included. 0 = Optional. P = Included in package noted in parentheses.

⁽¹⁾ Always use seat belts. Children 12 and under should always be in a backseat correctly using an infant or child restraint system, or the seat belt positioned correctly for the child's age and weight.

		PT Cruiser
INTERIOR DIMENSIONS*		
Head Room	— Front/Rear	996/1003
Leg Room	— Front/Rear	1006/1038
Shoulder Room	— Front/Rear	1368/1360
Hip Room	— Front/Rear	1273/1185
Seating Capacity		5
Cargo Capacity (L)	— Behind rear seat with shelf panel removed	602
	— Rear seat removed	1708
EXTERIOR DIMENSIONS*		
Wheelbase		2616
Overall Length		4288
Overall Width		1748
Overall Height	1601 without rear spoiler 1665 with spoiler	
Track	— Front/Rear	1481/1478
Coefficient of Drag		0.377
WEIGHTS AND CAPACITIES		
Kerb Weight (kg)	— 2.4L engine, manual transmission	1435
	— 2.4L engine, automatic transmission	1470
Fuel Tank (L)		57
Turning Diameter (m)	— kerb-to-kerb	11.2
Maximum Towing Capacity (kg)		450

		PT Cruiser
ENGINES		
2.4 Naturally Aspirated		
— Drivetrain		FWD
— Engine Type		In-line 4-cylinder
— Displacement (cc)		2429
— Bore and Stroke (mm)		87.5 x 101
— Valve System		DOHC
— Fuel Delivery System		SMPI
— Compression Ratio		9.5:1
— Power (kW @ rpm)		105 @ 5200
— Torque (Nm @ rpm)		214 Nm @ 4000
— Standard Transmission		5-speed manual
— Optional Transmission		4-speed automatic with AutoStick®

NA = Not available.

*Dimensions in millimeters unless otherwise noted.

This brochure is a publication of DaimlerChrysler Corporation. All product illustrations and specifications are subject to change. DaimlerChrysler Corporation reserves the right to make alterations in the described models and services — at any time without prior notice or obligation — which are considered necessary to the purpose of product improvement or for reasons of design and/or marketing. Boston Acoustics is a registered trademark of Boston Acoustics, Inc. Sentry Key, UConnect and ParkSense are registered trademarks of DaimlerChrysler Corporation. Bluetooth is a registered trademark of Bluetooth SIG Inc. YES Essentials and Preferred Suede are registered trademarks of Milliken & Company. iPod is a registered trademark of Apple Computer, Inc.

